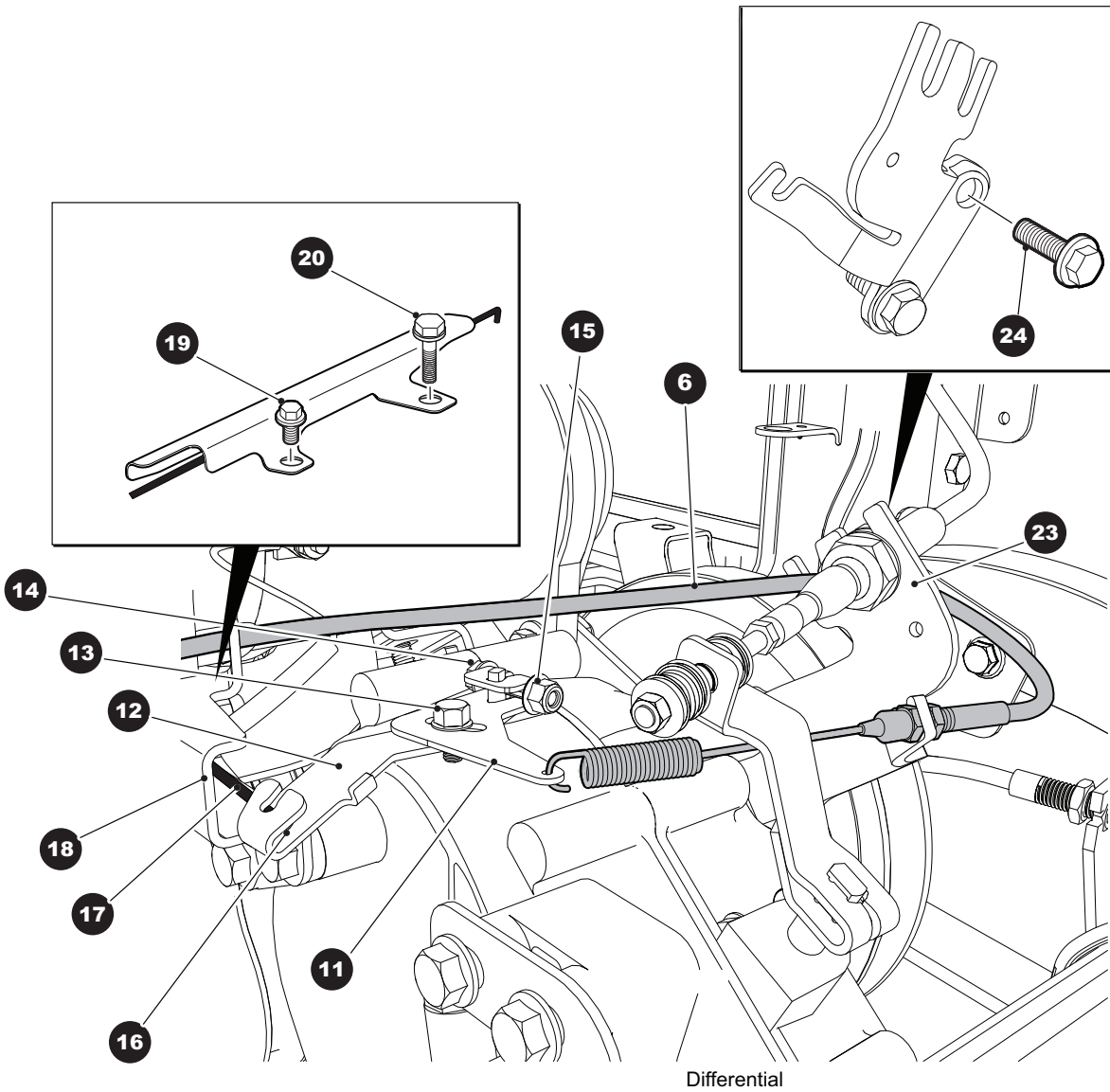


ACCELERATOR



ACCELERATOR

Where applicable, THE USE OF NON UL PARTS WILL VOID ANY UL LISTING.

When ordering parts, please specify the model and serial number of the product.

* Indicates a component that is not available as an individual part.

G** Indicates consult Customer Service Department for additional information.

ITEM	PART NO.	1 2 3 4 5	DESCRIPTION	QTY.
1	604991		ACCELERATOR PEDAL ASSEMBLY	1
2	600255		ACCELERATOR PEDAL COVER	1
3	604536		BOLT, M8 - 1.25 X 20	1
4	606277		BOLT, M6	3
5	608290		BOLT,	2
6	604099		ACCELERATOR CABLE	1
7	607605		ACCELERATOR PEDAL SWITCH.....	1
8	620030		SOCKET HEAD SCREW, M5 X 0.8	2
9				
10				
11	606083		UPPER GOVERNOR BRACKET	1
12	606005		LOWER GOVERNOR BRACKET	1
13	606265		BOLT, M6 - 1 X 12	1
14	606421		BOLT, M6 - 1 X 30	1
15	450452		NUT, M6 - 1.0	1
16	606283		GOVERNOR LEVER BUSHING	1
17	606284		GOVERNOR ROD	1
18	603890		GOVERNOR ROD GUARD	1
19	606264		BOLT, M6 - 1 X 20	1
20	606262		BOLT, M8 - 1.25 X 16	1
21				
22				
23	606074		GOVERNOR CABLE/DIRECTION SELECTOR BRACKET.....	1
24	606256		BOLT, M10 - 1.25 X 16	2