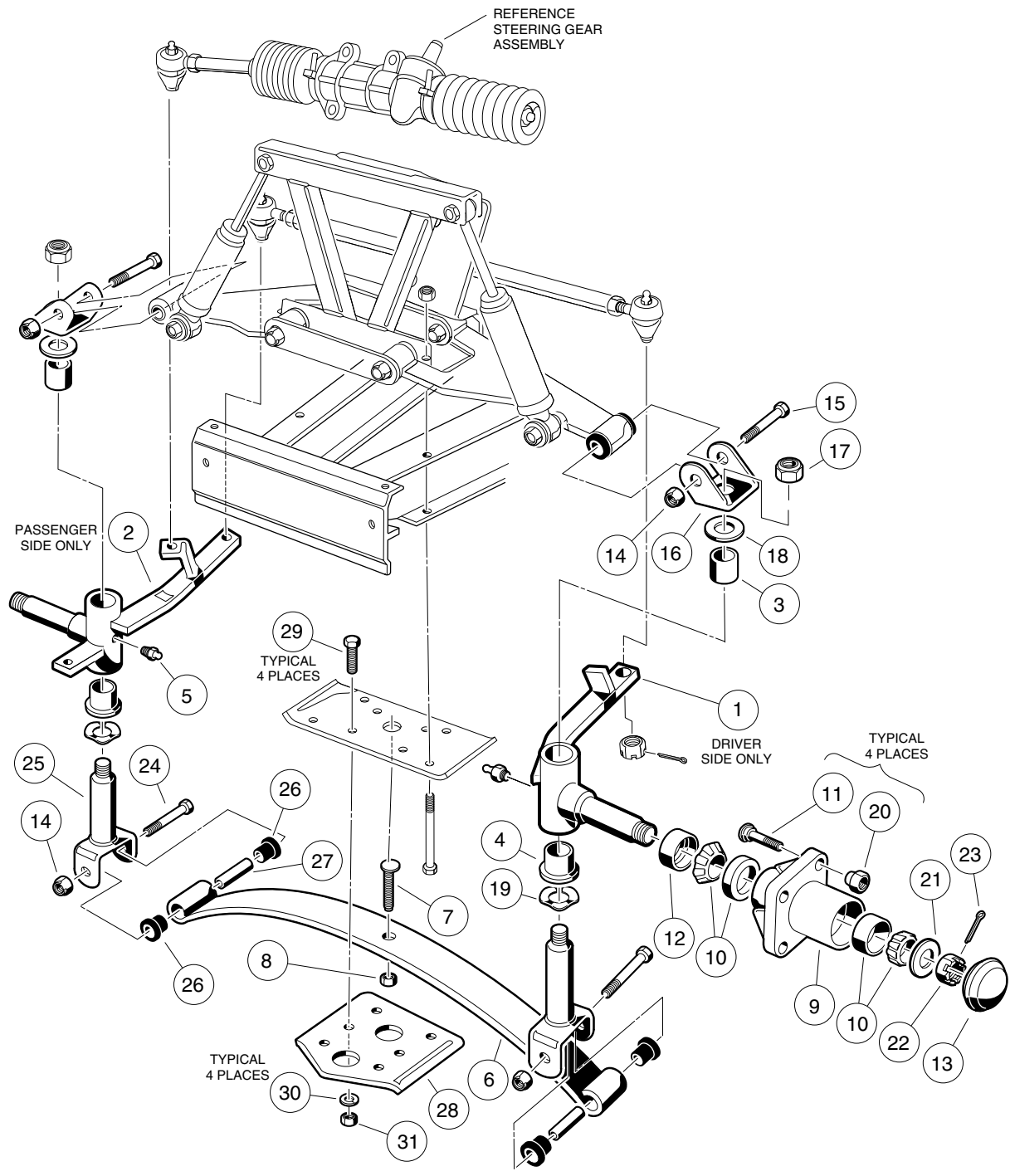


**5
G
E**



FRONT SUSPENSION, LOWER

| ITEM | PART NO. | DESCRIPTION | QTY |
|------|-----------|---|-----|
| | | 1 2 3 4 | |
| 1 | 1010348 | Assembly, Spindle, Driver Side (includes items 3, 4 and 5) | 1 |
| 2 | 1010347 | Assembly, Spindle, Passenger Side (includes items 3, 4 and 5) | 1 |
| 3 | 8067 | Bushing, Bronze Spindle | 1 |
| 4 | 7048 | Bushing, Bronze | 1 |
| 5 | 1015597 | Fitting, Grease, 1/4-28 | 1 |
| 6 | 1012030 | Spring, Tapered Leaf | 1 |
| 7 | 8745 | Assembly, Eccentric | 1 |
| 8 | 706 | Nut, Hex, 3/8-16 | 1 |
| 9 | 1011892 | Assembly, Hub (includes items 10 - 13) | 2 |
| 10 | 1011393 | Package, Hub Bearing | 2 |
| 11 | 1011304 | Stud, Lug, 1/2-20 | 4 |
| 12 | 1013135 | Seal, Double Lip | 1 |
| 13 | 1011887 | Cover, Dust | 1 |
| 14 | 8754 | Nut, Nylon Lock, 3/8-16 | 4 |
| 15 | 1016387 | Screw, Hex Head Cap, 3/8-16 x 2-3/4 | 2 |
| 16 | 1016384 | Clevis, Upper Delta | 2 |
| 17 | 101903101 | Nut, Nylon Lock, 1/2-20 | 2 |
| 18 | 1010150 | Bearing, Thrust | 2 |
| 19 | 1016389 | Washer, Kingpin Wave | 2 |
| 20 | 1010984 | Nut, Lug | 8 |
| 21 | 1010005 | Washer, Flat, 3/4 | 2 |
| 22 | 7840 | Nut, Hex Slotted, 3/4-16 | 2 |
| 23 | 7910 | Pin, Cotter, 5/32 x 1 | 2 |
| 24 | 8755 | Screw, Hex Head Cap, 3/8 - 16 x 3-3/8 | 2 |
| 25 | 1016386 | Kingpin | 2 |
| 26 | 1015583 | Bushing, Urethane | 4 |
| 27 | 1012303 | Bushing, Steel | 2 |
| 28 | 1014276 | Plate, Front Spring Retainer | 1 |
| 29 | 1624 | Screw, Hex Head Cap, 3/8-16 x 1-1/2 | 4 |
| 30 | 357 | Washer, Lock, 3/8 | 4 |
| 31 | 706 | Nut, Hex, 3/8-16 | 4 |

5
G
E