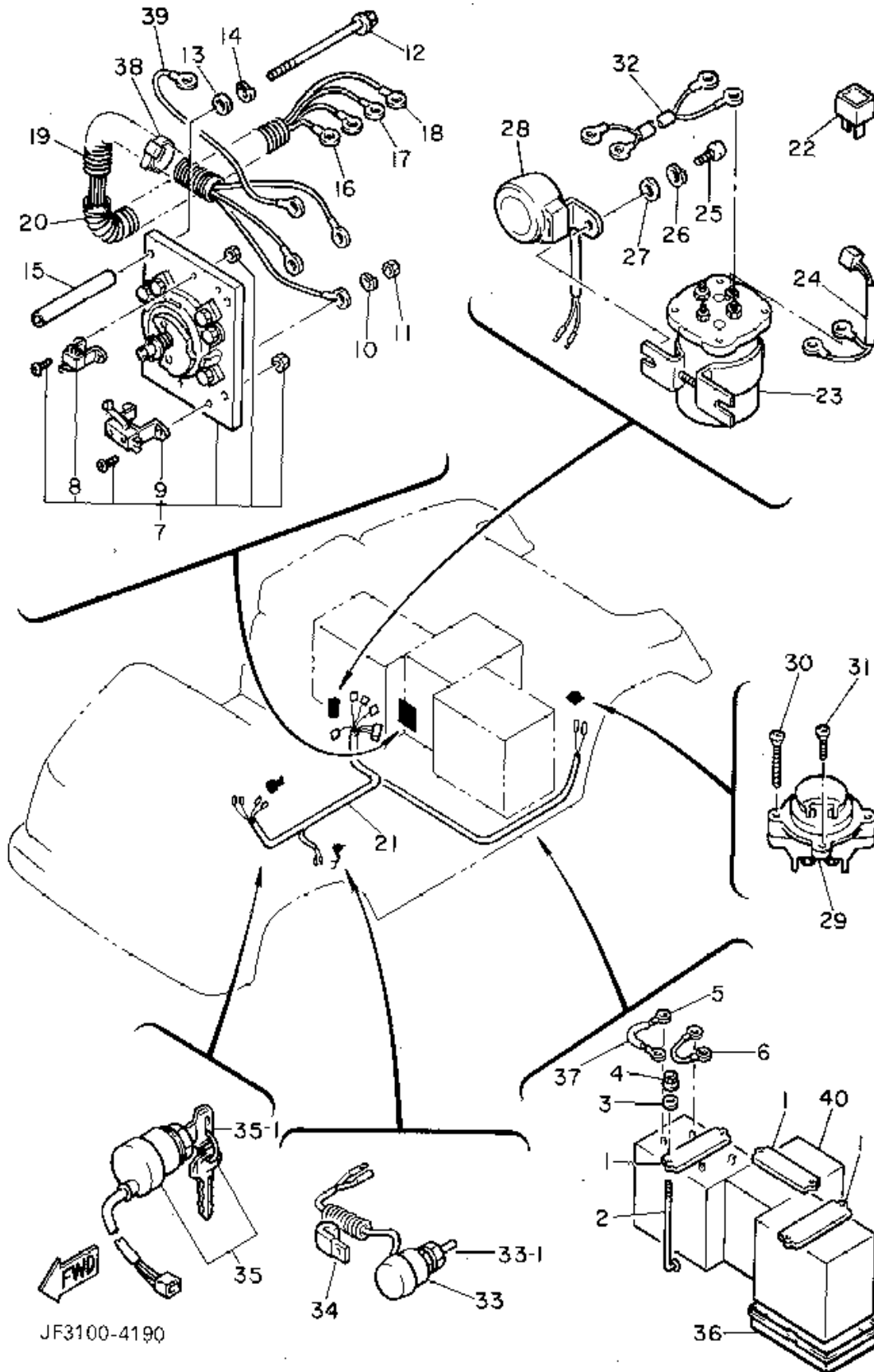


ELECTRICAL 1



Ref. No.	Part Number	Description	Qty	Remarks
1	JF3-H2136-00-00	PLATE, BATTERY	3	YPAD
2	JF3-82133-01-00	SCREW, FITTING	6	
3	90201-065G8-00	WASHER, PLATE	6	
4	95701-06500-00	NUT, FLANGE	6	
5	J51-H2115-00-00	WIRE, PLUS LEAD	1	YPAD
6	J51-H2127-00-00	WIRE, LEAD 2	5	YPAD
7	JF3-82917-01-00	SWITCH	1	
8	J41-82617-00-00	. SWITCH	1	
9	J41-82817-00-00	. MICRO SWITCH	1	
10	92995-06100-00	WASHER, SPRING	4	
11	95601-06200-00	NUT, U FLANGE	4	
12	97002-06100-00	BOLT	4	
13	92990-06200-00	WASHER	4	
14	92995-06100-00	WASHER, SPRING	4	
15	90387-061W6-00	COLLAR	4	
16	JF3-H2521-01-00	WIRE, LEAD	1	YPAD
17	JF3-H2531-00-00	WIRE, LEAD	1	YPAD
18	JF3-H6171-00-00	WIR, LEAD 1	1	YPAD
19	JF3-H7196-00-00	TUBE 1	1	YPAD
20	JF3-H7197-00-00	TUBE 2	1	YPAD
21	JF3-82590-11-00	WIRE HARNESS ASSEMBLY ..	1	
22	J44-81980-60-00	DIODE	2	
23	JF3-H1950-00-00	RELAY ASSEMBLY	1	YPAD
24	JF2-82105-00-00	WIRE HARNESS	1	
25	98502-06016-00	SCREW, PAN HEAD (98501-06014-00)	2	
26	92995-06100-00	WASHER, SPRING	2	
27	92990-06600-00	WASHER, PLATE	2	
28	JF3-83383-02-00	BUZZER	1	

CONTINUED ON NEXT FRAME ►

JF3100-4190

