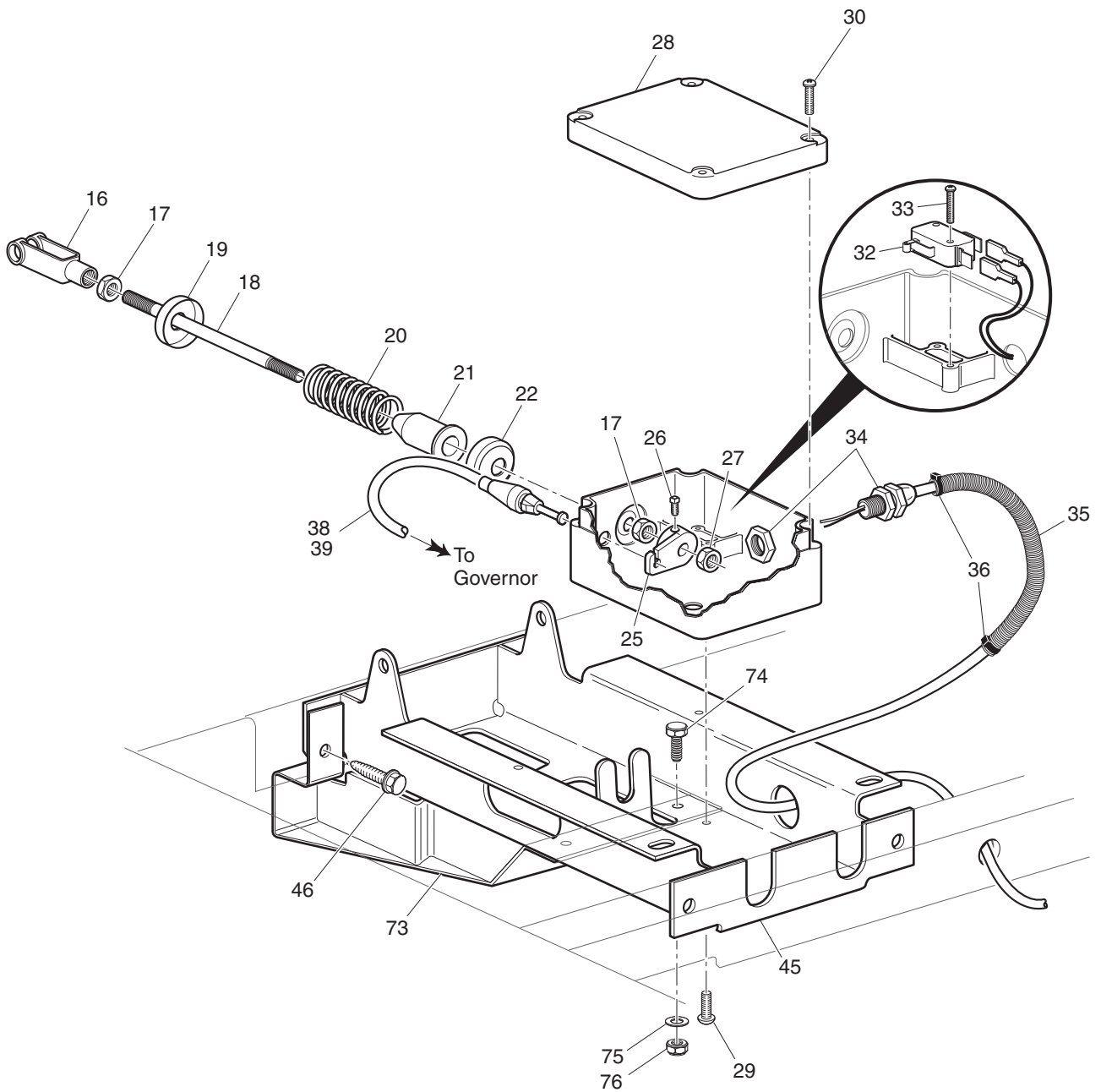
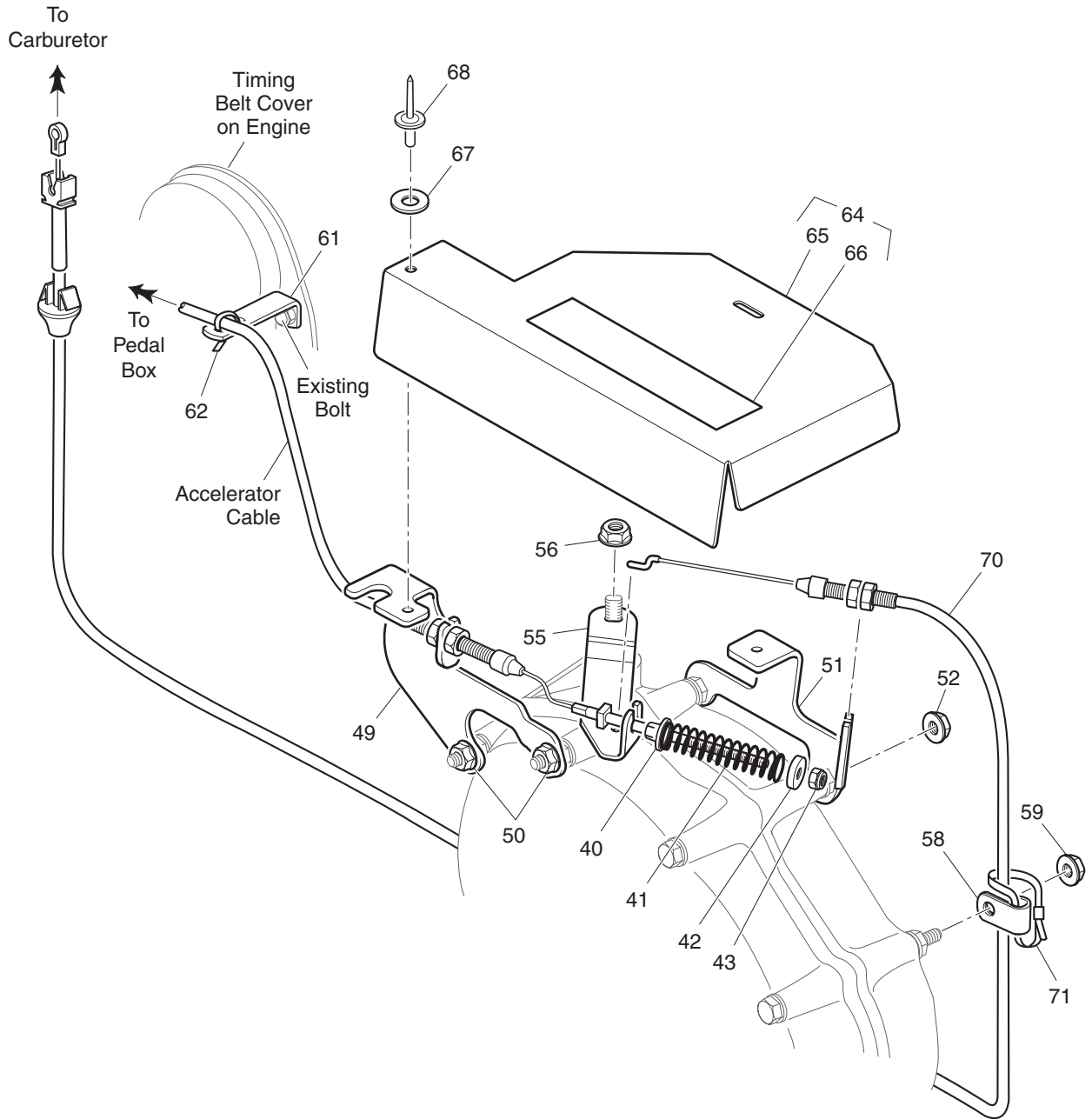


# ACCELERATOR - ALL CABLES



Ref Acc 9-2

# ACCELERATOR - ALL CABLES



Ref Acc 9-3

## ACCELERATOR - ALL CABLES

When ordering parts, please specify the model and serial number of the product.

\* Indicates a component that is not available as an individual part.

G\*\* Indicates consult Customer Service Department for additional information.

ITEM	PART NO.	1	2	3	4	5	DESCRIPTION	QTY.
1	72717-G01						PEDAL BOX ASSEMBLY (INCLUDES ITEMS 3 - 38, 40 - 45) (ST SPORT).....	1
2	72717-G02						PEDAL BOX ASSEMBLY (INCLUDES ITEMS 3 - 36, 39 - 45) (ST 350).....	1
3	25799-G01						ACCELERATOR PEDAL ASSEMBLY (INCLUDES ITEMS 4 - 7).....	1
4	27844-G01						ACCELERATOR PEDAL PAD KIT (INCLUDES ITEMS 5 - 6).....	1
5	15766-G1						OVAL RIVET, 3/16" X 7/16" LG.....	6
6	27512-G01						ACCELERATOR PEDAL PAD .....	1
7	*						ACCELERATOR PEDAL.....	1
8	17838-G1						NYLON BUSHING .....	3
9	74432-G01						PEDAL PIVOT PIN .....	1
10	12064-G6						PUSH NUT, 9/32".....	1
11	10386-G3						CLEVIS PIN, 5/16" X 13/16" LG .....	1
12	17255-G1						TEFLON WASHER, 5/16".....	1
13	10387-G3						COTTER PIN, 3/32" X 3/4" LG .....	1
14								
15								
16	10385-G4						CLEVIS YOKE (ADJUSTABLE).....	1
17	00532-G4						NUT, 5/16 - 24.....	2
18	72072-G01						ACCELERATOR ROD .....	1
19	17677-G2						SPRING RETAINER .....	1
20	73046-G01						COMPRESSION SPRING .....	1
21	17979-G1						ACCELERATOR ROD BUSHING.....	1
22	17677-G1						SPRING RETAINER .....	1
23								
24								
25	72716-G01						MICRO SWITCH CAM.....	1
26	00487-G3						SETSCREW, 1/4 - 20 X 3/8" LG .....	1
27	00550-G4						LOCK NUT, 5/16 - 24.....	1
28	25853-G03						PEDAL BOX AND COVER .....	1
29	01051-G01						SCREW, #8 - 16 X 1/2" LG .....	4
30	00684-G6						SCREW, #8 - 32 X 3/4" LG (STAINLESS STEEL).....	4

## ACCELERATOR - ALL CABLES

When ordering parts, please specify the model and serial number of the product.

\* Indicates a component that is not available as an individual part.

G\*\* Indicates consult Customer Service Department for additional information.

ITEM	PART NO.	1 2 3 4 5	DESCRIPTION	QTY.
31				
32	25861-G01		MICRO SWITCH.....	1
33	01050-G01		SCREW, #4 - 20 X 5/8" LG .....	2
34	72201-G04		WIRE HARNESS (PEDAL BOX) .....	1
35	17313-G1		LOOM FLEX (BULK).....	AR
36	17618-G1		WIRE TIE .....	2
37				
38	72713-G01		ACCELERATOR CABLE (ST SPORT) .....	1
39	72713-G02		ACCELERATOR CABLE (ST 350).....	1
40	72706-G01		ACCELERATOR CABLE BUSHING .....	1
41	72809-G01		COMPRESSION SPRING .....	1
42	25727-G02		CUP WASHER, 1/5" .....	1
43	00734-G5		LOCK NUT, #10 - 32.....	1
44				
45	70116-G01		ACCELERATOR PEDAL BRACKET.....	1
46	00715-G2		BOLT, 5/16 - 18 X 4/5" LG .....	4
47	70135-G01		PEDAL PIVOT COVER .....	1
48				
49	72701-G01		ACCELERATOR CABLE MOUNTING BRACKET .....	1
50	26830-G01		LOCK NUT, M8 X 1.25 MM .....	2
51	72703-G01		THROTTLE CABLE MOUNTING BRACKET .....	1
52	72269-G01		FLANGED NUT, M8 X 1.25 MM .....	2
53				
54				
55	72708-G01		GOVERNOR ARM .....	1
56	26830-G01		LOCK NUT, M8 X 1.25 MM .....	1
57				
58	11845-G3		INSULATED CABLE CLAMP, 11/16" .....	1
59	72269-G01		FLANGED NUT, M8 X 1.25 MM.....	1
60				