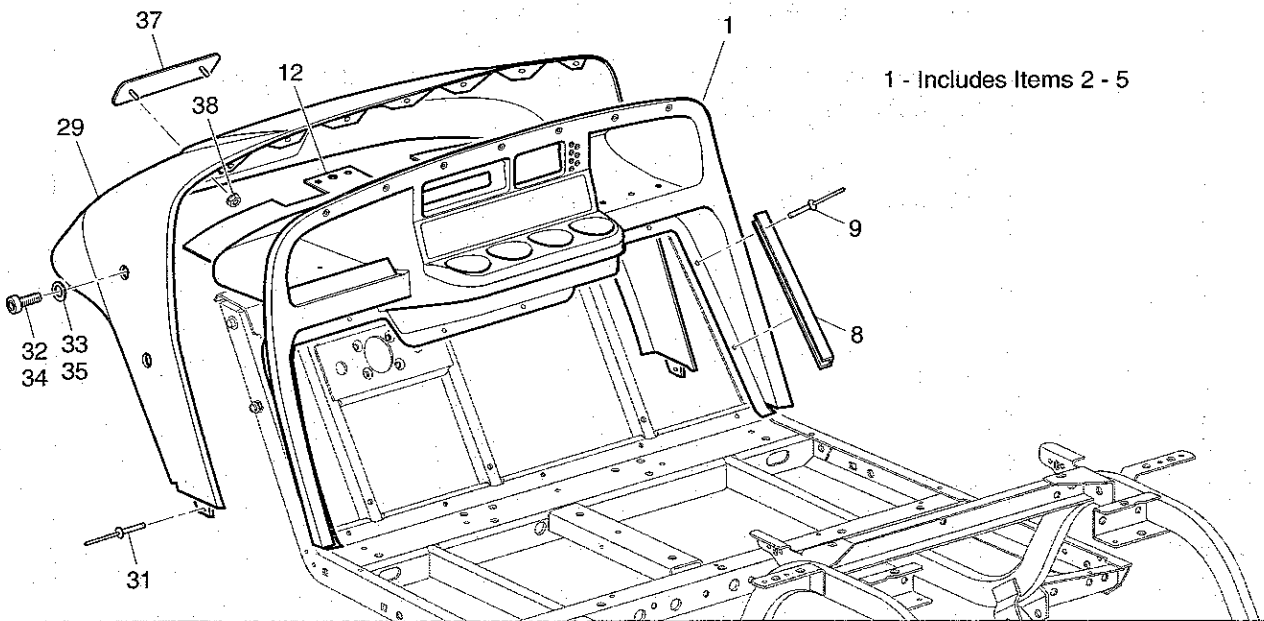
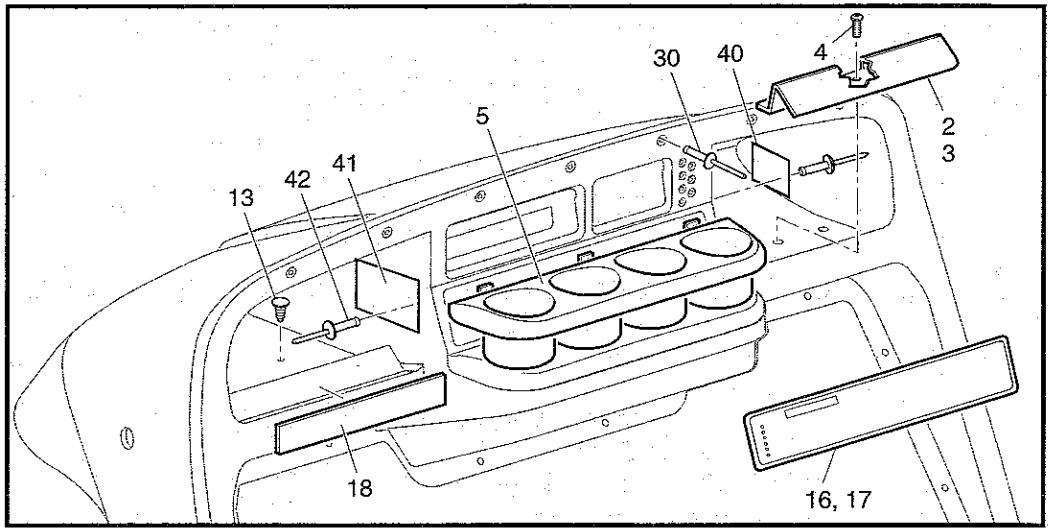
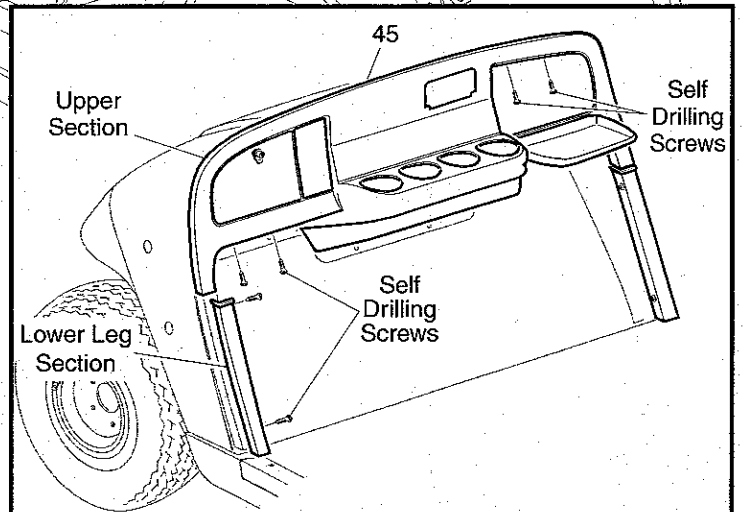
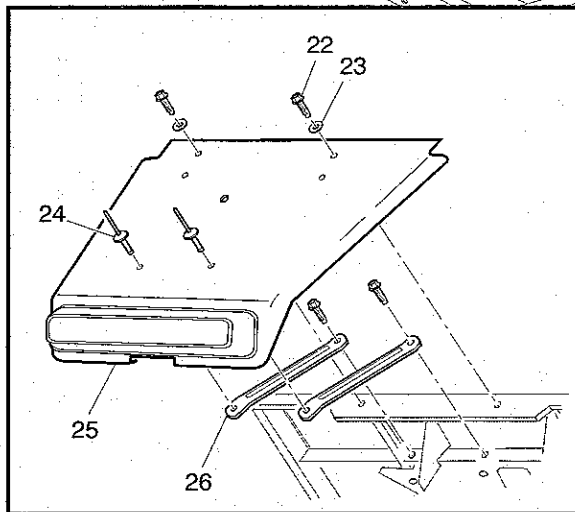


# BODY - FRONT



1 - Includes Items 2 - 5



Ref Bod 1-1

## BODY - FRONT

Where applicable, THE USE OF NON UL PARTS WILL VOID ANY UL LISTING.

When ordering parts, please specify the model and serial number of the product.

\* Indicates a component that is not available as an individual part.

G\*\* Indicates consult Customer Service Department for additional information.

ITEM	PART NO.	1	2	3	4	5	DESCRIPTION	QTY.
1	71151-G01						INSTRUMENT PANEL ASSEMBLY (INCLUDES ITEMS 2 - 5).....	1
2	71153-G01						BALL DEFLECTOR (PASSENGER SIDE).....	1
3	71154-G01						BALL DEFLECTOR (DRIVER SIDE).....	1
4	00614-G5						SCREW, #8 - 18 X 5/8" LG.....	6
5	71158-G01						INSTRUMENT PANEL INSERT (4 CUP HOLDER).....	1
6								
7								
8	71115-G01						VINYL TRIM.....	2
9	71055-G01						RIVET, 3/16" X 1" LG (ALUMINUM).....	10
10								
11								
12	71413-G01						SPLASH PANEL.....	1
13	16816-G2						RIVET, 1/4" X 3/4" LG.....	5
14								
15								
16	27647-G01						LABEL (SAFETY).....	1
17	35345-G01						LABEL (SAFETY - EC).....	1
18	74443-G01						LABEL (ANTI-ROLLBACK).....	1
19								
20								
21								
22	01038-G01						BOLT, 1/4 - 20 X 11/16" LG.....	4
23	16469-G1						WASHER, 1/4".....	2
24	01057-G01						RIVET, 1/4" X 1" LG.....	2
25	27166-G04						FRONT SHIELD.....	1
26	70725-G01						FRONT SHIELD BRACE.....	2
27								
28								
29	71051-G**						COWL.....	1
30	71055-G01						RIVET, 3/16" X 1" LG (ALUMINUM).....	9

# BODY - FRONT

Where applicable, THE USE OF NON UL PARTS WILL VOID ANY UL LISTING.  
 When ordering parts, please specify the model and serial number of the product.  
 \* Indicates a component that is not available as an individual part.  
 G\*\* Indicates consult Customer Service Department for additional information.

ITEM	PART NO.	1	2	3	4	5	DESCRIPTION	QTY.
31	10570-G11						RIVET, 3/16" X 3/4" LG (STAINLESS STEEL) .....	2
32	71056-G01						BOLT, 5/16 - 18 X 5/8" LG .....	4
33	00570-G2						WASHER, 5/16.....	4
34	00438-G6						BOLT, 5/16 - 18 X 3/4" LG (WITH TOP) .....	2
35	00571-G2						WASHER, FLAT-TYPE-A.....	2
36								
37	71037-G02						E-Z-GO NAMEPLATE (GOLD) .....	1
38	71597-G01						NUT, SELF-THREADING.....	2
39								
40	*						SERIAL NUMBER PLATE (EARLY PRODUCTION) .....	1
41	*						EC PLATE (EARLY PRODUCTION).....	1
42	01041-G01						RIVET, 1/8" X 13/16" LG .....	4
43								
44								
45	74239-G01						INSTRUMENT PANEL WOODGRAIN APPLIQUE KIT .....	1