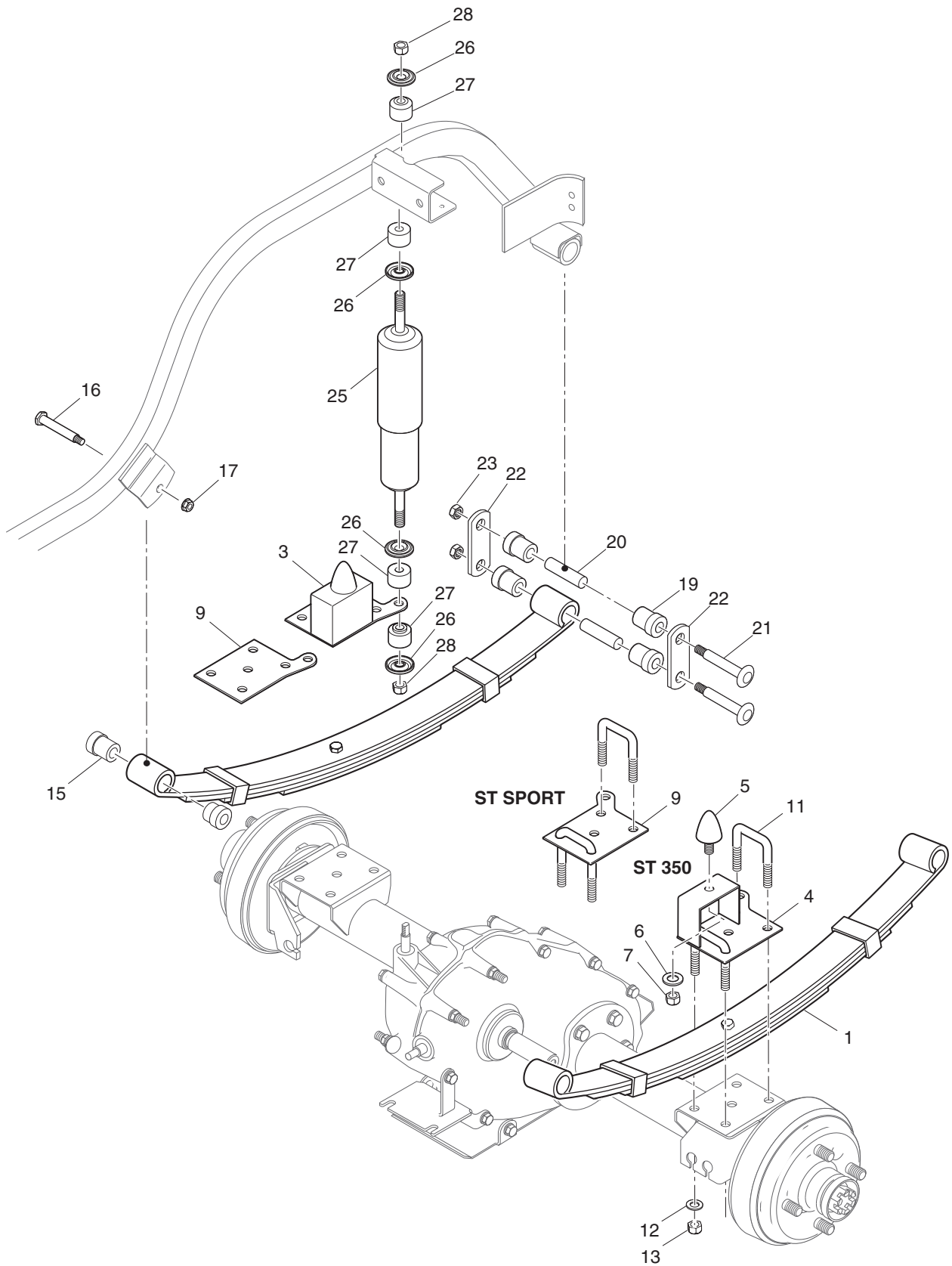


REAR SUSPENSION



Ref Rsp 9

REAR SUSPENSION

THE USE OF NON U.L. PARTS WILL VOID ANY U.L. LISTING.

When ordering parts, please specify the model and serial number of the product.

* Indicates a component that is not available as an individual part.

G** Indicates consult Customer Service Department for additional information.

ITEM	PART NO.	1 2 3 4 5	DESCRIPTION	QTY.
1	74207-G01		HEAVY DUTY LEAF SPRING	2
2				
3	72360-G01		SHOCK/STOP MOUNT (PASSENGER SIDE) (ST 350)	1
4	72360-G02		SHOCK/STOP MOUNT (DRIVER SIDE) (ST 350)	1
5	70492-G01		RUBBER BUMPER (ST 350)	2
6	00968-G01		LOCK WASHER, 10 MM (ST 350)	2
7	00974-G01		NUT, M10 X 1.5 (ST 350)	2
8				
9	72357-G02		SPRING PLATE (ST SPORT)	2
10				
11	72618-G02		'U' BOLT, 3/8 - 16 X 2" X 2 1/8" LG	4
12	00560-G1		WASHER, 3/8"	8
13	11098-G5		LOCK NUT, 3/8 - 16	8
14				
15	70291-G01		FLANGED BUSHING	4
16	14158-G1		SHOULDER BOLT, 3/8 - 16 X 3 1/4" LG	2
17	12262-G1		LOCK NUT, 3/8 - 16	2
18				
19	70291-G01		FLANGED BUSHING	8
20	70289-G02		SPACER	4
21	00665-G9		BOLT, 3/8 - 16 X 3 1/2" LG (STAINLESS STEEL)	4
22	70290-G01		SHACKLE PLATE	4
23	11098-G5		LOCK NUT, 3/8 - 16	4
24				
25	70324-G01		SHOCK ABSORBER	2
26	10435-G1		SHOCK ABSORBER WASHER	8
27	10194-G1		RUBBER SHOCK ABSORBER BUSHING	8
28	00532-G6		NUT, 3/8 - 24	4