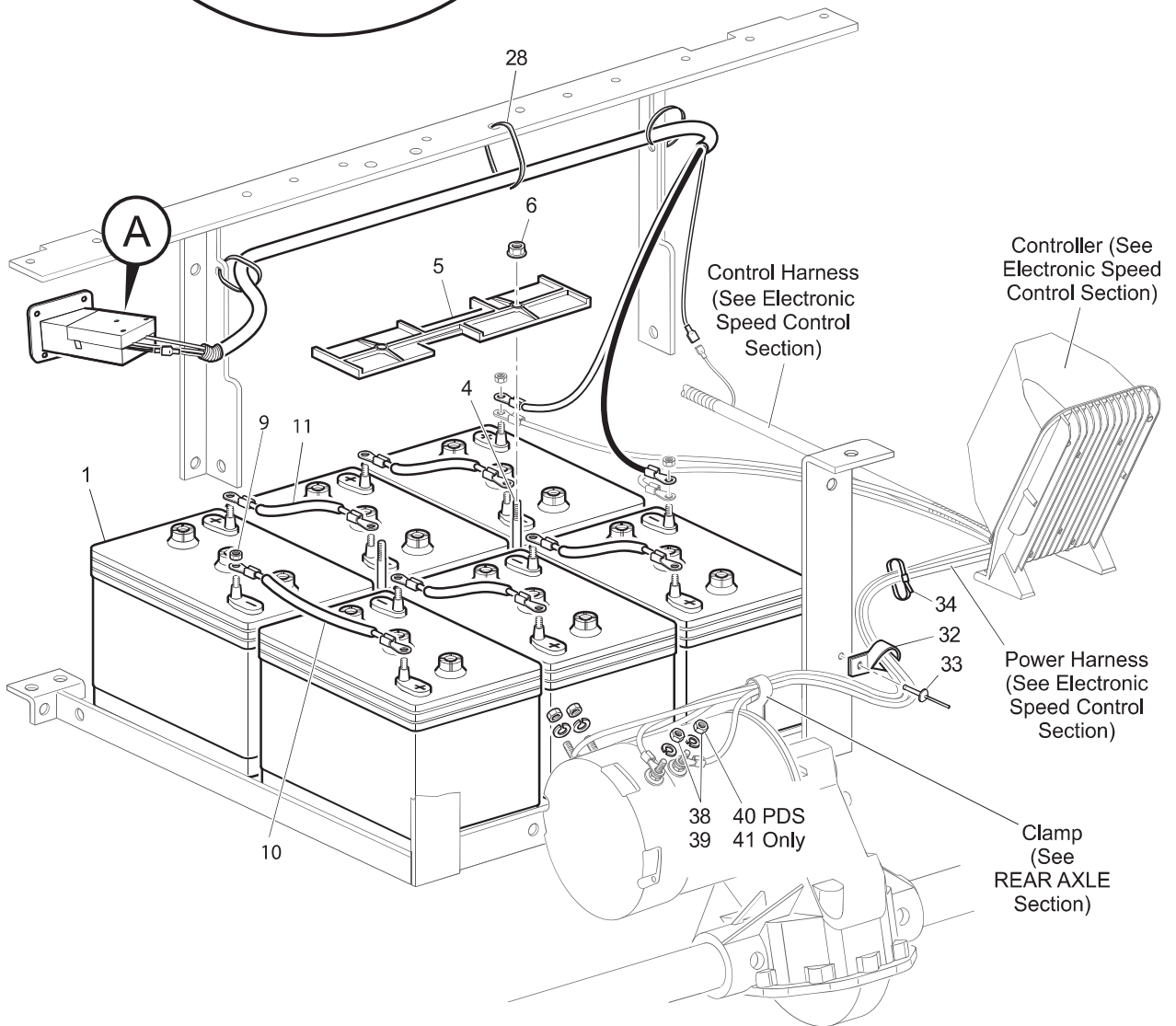
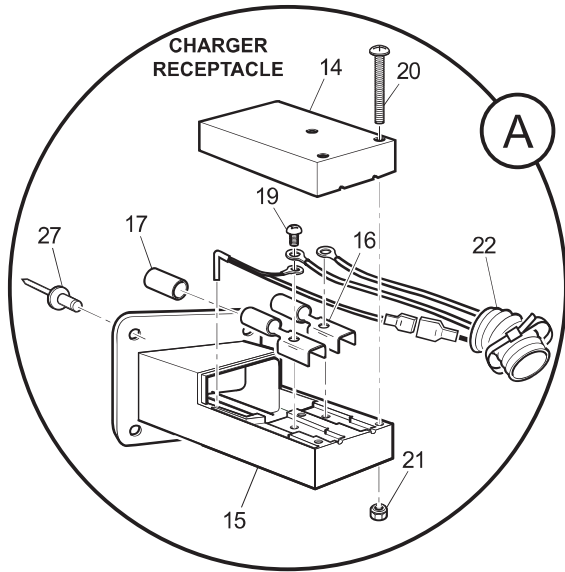


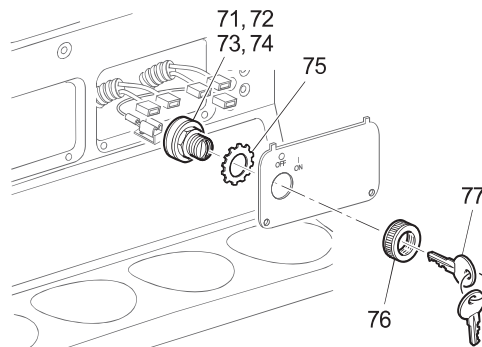
# ELECTRICAL SYSTEM - COMMON

13 - Includes Items 14 - 22



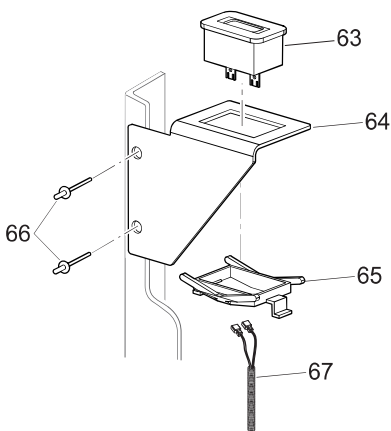
Ref Ele 1-1

# ELECTRICAL SYSTEM - COMMON

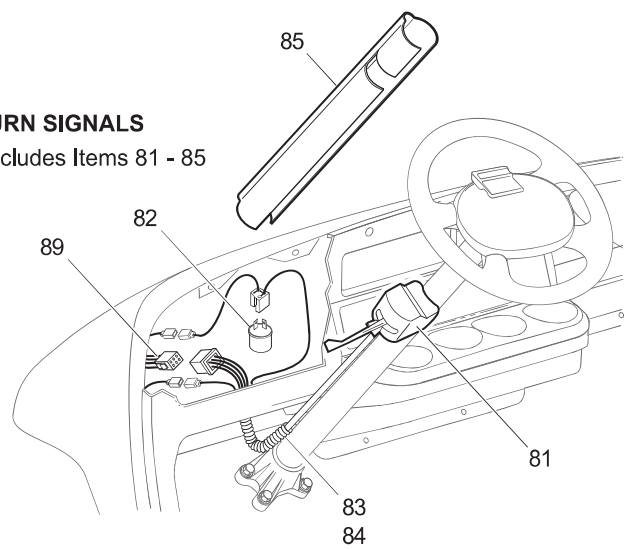


**KEY SWITCH AND KEY SET**

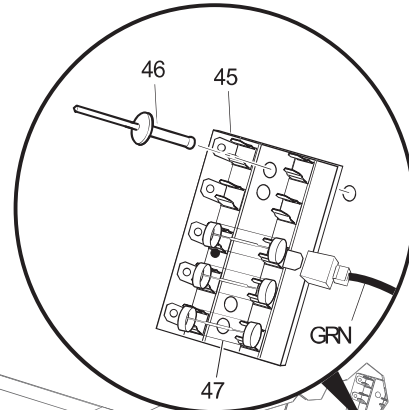
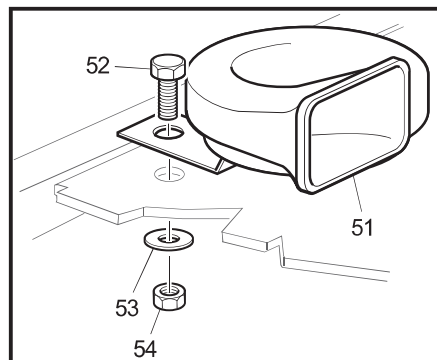
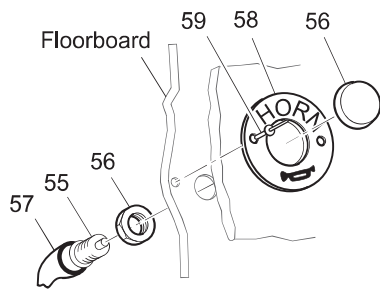
**HOUR METER DETAIL**  
62 - Includes Items 63 - 67



**TURN SIGNALS**  
80 - Includes Items 81 - 85

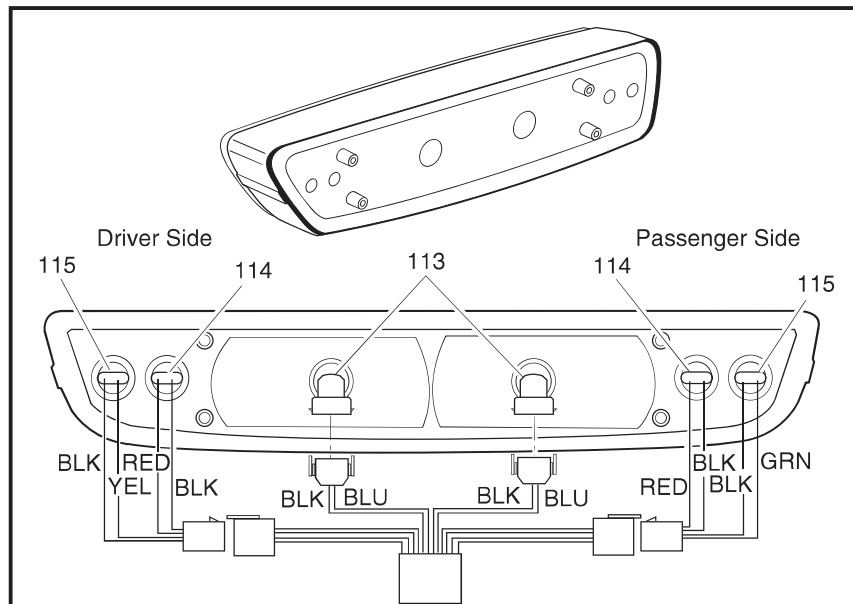
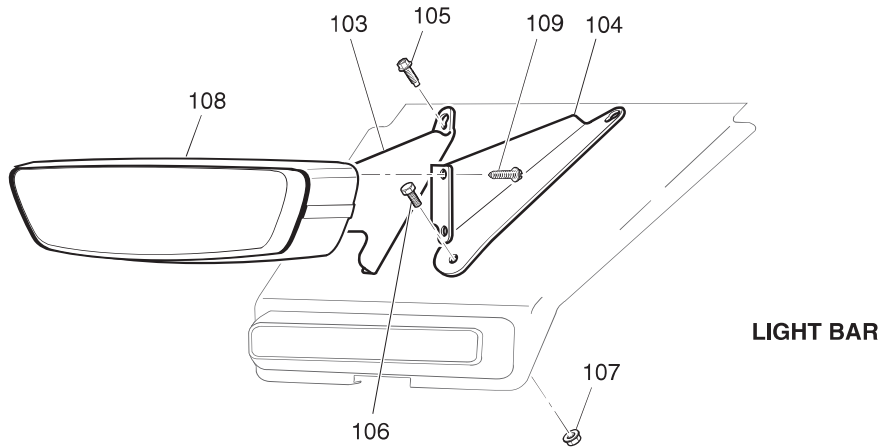
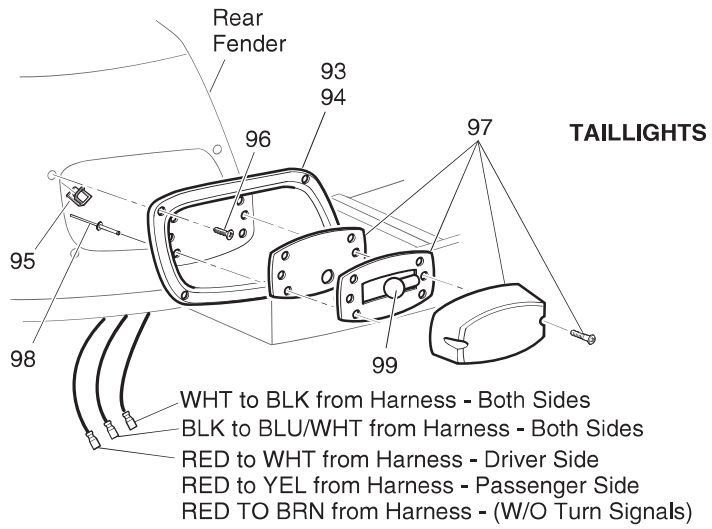


**HORN BUTTON**



Ref Ele 1-2

# ELECTRICAL SYSTEM - COMMON



Ref Ele 1-3

## ELECTRICAL SYSTEM - COMMON

Where applicable, THE USE OF NON UL PARTS WILL VOID ANY UL LISTING.  
 When ordering parts, please specify the model and serial number of the product.  
 \* Indicates a component that is not available as an individual part.  
 G\*\* Indicates consult Customer Service Department for additional information.

ITEM	PART NO.	1	2	3	4	5	DESCRIPTION	QTY.
1	XXXXX-GXX						6 VOLT BATTERY .....	6
2								
3								
4	01101-G01						HOLD DOWN BOLT (STAINLESS STEEL).....	2
5	70045-G01						BATTERY RETAINER .....	1
6	11027-G1						LOCK NUT, 5/16 - 18 .....	2
7								
8								
9	00702-G2						NUT, 5/16 - 18 .....	12
10	607651						4 GA WIRE, GREEN 10".....	1
11	607590						4 GA WIRE, GREEN 7".....	5
12								
13	73063-G01						CHARGER RECEPTACLE ASSEMBLY (INCLUDES ITEMS 14 - 23).....	1
14	*						RECEPTACLE COVER .....	1
15	*						RECEPTACLE BOTTOM.....	1
16	73051-G05						FEMALE CONNECTOR .....	2
17	73051-G06						INSULATOR SLEEVE.....	1
18								
19	73051-G08						SCREW, #10 - 32 X 1/2" LG (BRASS) .....	2
20	73051-G09						SCREW, #6 - 32 X 1 3/4" LG (STAINLESS STEEL).....	3
21	73051-G10						LOCK NUT, #6 - 32 .....	3
22	*						WIRE HARNESS (CHARGER).....	1
23								
24								
25								
26								
27	71055-G01						RIVET, 3/16" X 1" LG (ALUMINUM).....	4
28	17618-G1						WIRE TIE .....	3
29								
30								

## ELECTRICAL SYSTEM - COMMON

Where applicable, THE USE OF NON UL PARTS WILL VOID ANY UL LISTING.

When ordering parts, please specify the model and serial number of the product.

\* Indicates a component that is not available as an individual part.

G\*\* Indicates consult Customer Service Department for additional information.

ITEM	PART NO.	1	2	3	4	5	DESCRIPTION	QTY.
31								
32	27327-G01						CABLE CLAMP .....	1
33	10570-G11						RIVET, 3/16" X 3/4" LG (STAINLESS STEEL) .....	1
34	17618-G1						WIRE TIE .....	11
35								
36								
37								
38	00993-G01						LOCK WASHER, 5/16" (SILICON BRONZE) .....	AR
39	28418-G01						NUT, 5/16 - 18 (BRASS) .....	AR
40	00993-G02						LOCK WASHER, 1/4" (SILICON BRONZE) .....	2
41	28418-G02						NUT, 1/4 - 20 (BRASS) .....	2
42								
43								
44								
45	22674-G1						FUSE BLOCK .....	1
46	01041-G01						RIVET, 1/8" X 13/16" LG .....	2
47	18392-G1						15 AMP FUSE .....	AR
48								
49								
50								
51	32860-G1						HORN .....	1
52	00414-G5						BOLT, 1/4 - 20 X 5/8" LG .....	1
53	00559-G7						WASHER, 1/4" FL .....	1
54	14390-G4						LOCK NUT, 1/4 - 20 .....	1
55	17318-G1						HORN SWITCH .....	1
56	17318-G2						HORN SWITCH CAP AND NUT .....	1
57	27068-G01						HORN SWITCH BOOT .....	1
58	19233-G1						HORN SWITCH LABEL .....	1
59	71055-G01						RIVET, 3/16" X 1" LG (ALUMINUM) .....	2
60								

## ELECTRICAL SYSTEM - COMMON

Where applicable, THE USE OF NON UL PARTS WILL VOID ANY UL LISTING.

When ordering parts, please specify the model and serial number of the product.

\* Indicates a component that is not available as an individual part.

G\*\* Indicates consult Customer Service Department for additional information.

ITEM	PART NO.	1	2	3	4	5	DESCRIPTION	QTY.
61								
62	75113-G02						HOUR METER KIT (INCLUDES ITEMS 63 - 67).....	1
63	74665-G02						HOUR METER.....	1
64	74716-G01						HOUR METER BRACKET.....	1
65	74696-G01						RETAINER CLIP .....	1
66	10570-G11						RIVET .....	2
67	75117-G01						WIRE HARNESS (HOUR METER).....	1
68								
69								
70								
71	17421-G1						KEY SWITCH KIT (W/O LIGHTS - STANDARD - WITH HARDWARE).....	1
72	17955-G1						KEY SWITCH (WITHOUT LIGHTS - NON STANDARD) .....	1
73	18027-G1						KEY SWITCH (WITHOUT LIGHTS - INDIVIDUALLY KEYED) .....	1
74	33639-G**						KEY SWITCH (WITH LIGHTS) .....	1
75	00568-G6						LOCK WASHER, 3/4".....	1
76	17137-G1						FACE NUT, 3/4 - 20.....	1
77	17063-G1						KEY (SET).....	1
78								
79								
80	75107-G02						TURN SIGNAL KIT (INCLUDES ITEMS 81 - 85).....	1
81	17867-G1						TURN SIGNAL (WITH MOUNTING HARDWARE).....	1
82	21640-G1						TURN SIGNAL FLASHER.....	1
83	32307-G3						FLEX LOOM, 3/8" X 8" LG.....	1
84	17618-G1						WIRE TIE .....	2
85	20965-G3						STEERING COLUMN COVER .....	1
86								
87								
88								
89	73043-G01						WIRE HARNESS (ACCESSORY).....	1
90								

## ELECTRICAL SYSTEM - COMMON

Where applicable, THE USE OF NON UL PARTS WILL VOID ANY UL LISTING.  
 When ordering parts, please specify the model and serial number of the product.  
 \* Indicates a component that is not available as an individual part.  
 G\*\* Indicates consult Customer Service Department for additional information.

ITEM	PART NO.	1	2	3	4	5	DESCRIPTION	QTY.
91								
92								
93	74371-G01						BEZEL (DRIVER SIDE).....	1
94	74371-G02						BEZEL (PASSENGER SIDE) .....	1
95	71364-G02						'J' CLIP .....	8
96	71425-G01						COUNTERSUNK SCREW, #8 .....	8
97	22288-G2						BRAKE / TAILLIGHT LAMP.....	1
98	14601-G11						RIVET, 3/16" X 9/16" LG (ALUMINUM).....	4
99	21759-G1						TAILLIGHT BULB .....	AR
100								
101								
102								
103	74236-G03						HEADLIGHT MOUNT BRACKET (PASSENGER SIDE).....	1
104	74236-G04						HEADLIGHT MOUNT BRACKET (DRIVER SIDE) .....	1
105	01038-G01						BOLT, 1/4 - 20 X 11/16" LG .....	2
106	00414-G6						BOLT, 1/4 - 20 X 3/4" LG .....	2
107	11027-G2						LOCK NUT, 1/4 - 20 .....	2
108	74001-G01						HEADLIGHT AND TURN SIGNAL LIGHT .....	1
109	00114-G6						SCREW, 1/4 - 14 X 3/4" LG.....	4
110								
111								
112								
113	74004-G01						HEAD LIGHT BULB .....	AR
114	74005-G01						MARKER LIGHT BULB .....	AR
115	74006-G01						TURN SIGNAL BULB.....	AR