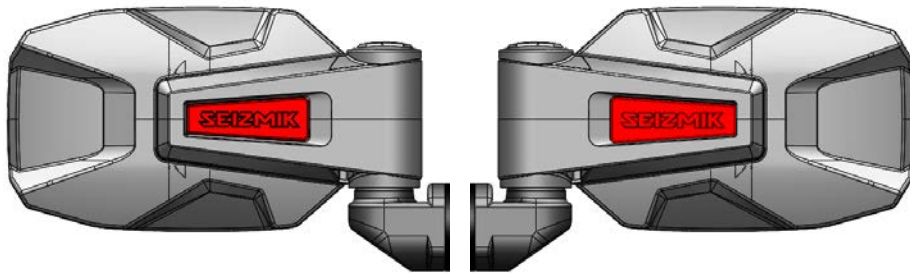


Installation & Operations Manual for Side View Mirror

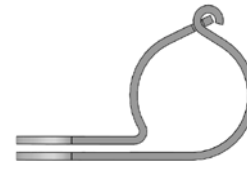
Contents:



Passenger Side Mirror

Driver's Side Mirror

The SEIZMIK insert is replaceable and comes in different color kits to match your vehicle.



Roll cage clamp (2)



M10x25mm Socket head Bolts (2)



Metal washer (2)

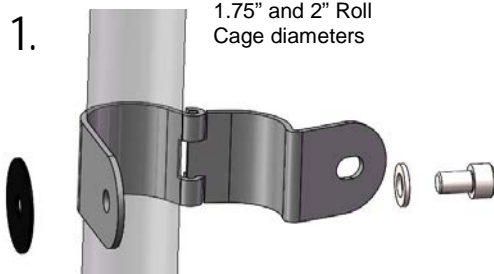


Rubber washer (2)

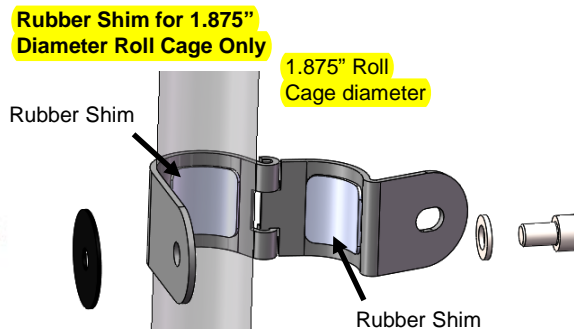


Rubber Shim (4)
(1.875" ONLY)

Installation:

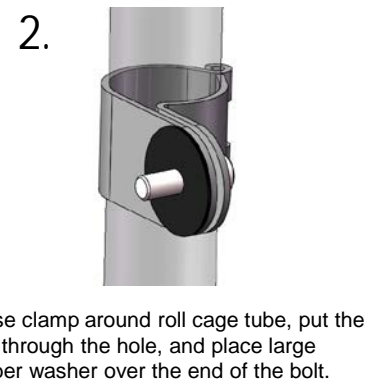


Open clamp and place around roll cage tube. **Do NOT** use rubber shims for 1.75" and 2" Roll Cage diameters.

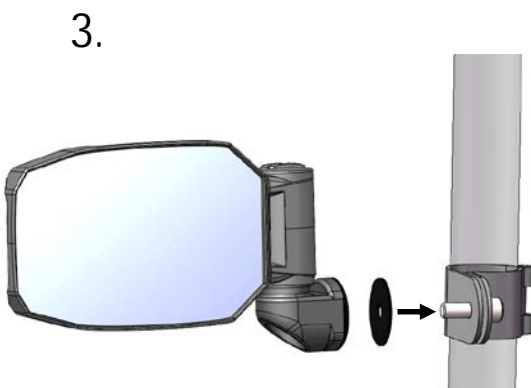


Rubber Shim for 1.875" Diameter Roll Cage Only

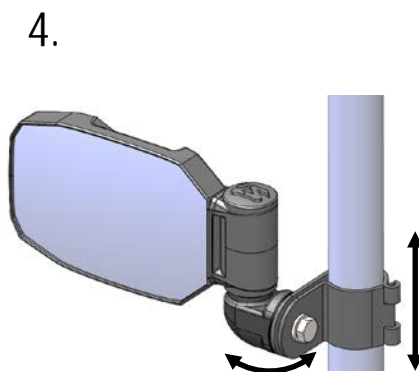
Open clamp and place around roll cage tube. **For the 1.875" Roll Cage only**, use 2 rubber shims (one on each side of the clamp)



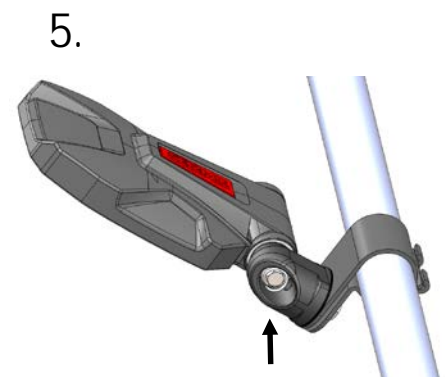
Close clamp around roll cage tube, put the bolt through the hole, and place large rubber washer over the end of the bolt.



Screw the bolt into the mirror but do not tighten yet.



Slide mirror up or down roll cage tube to desired location. Rotate mirror on clamp to desired angle. When you are satisfied with the location and angle, tighten bolt.



To tighten the folding feature of the mirror, tighten tension adjustment nut on the bottom of the mirror arm.

Seizmik makes Windshields, Doors, Tops, Hood Racks, and other great accessories for utility vehicles & side x sides. Our products are engineered tough for long life and tested under the harshest of conditions.

Seizmik products are designed, developed and manufactured by Vialink Corp. If you have any questions, comments, need assistance, or are missing parts, please call 1-866-838-3366 between 9:00AM and 5:00PM EST. You can email us at support@seizmik.com.