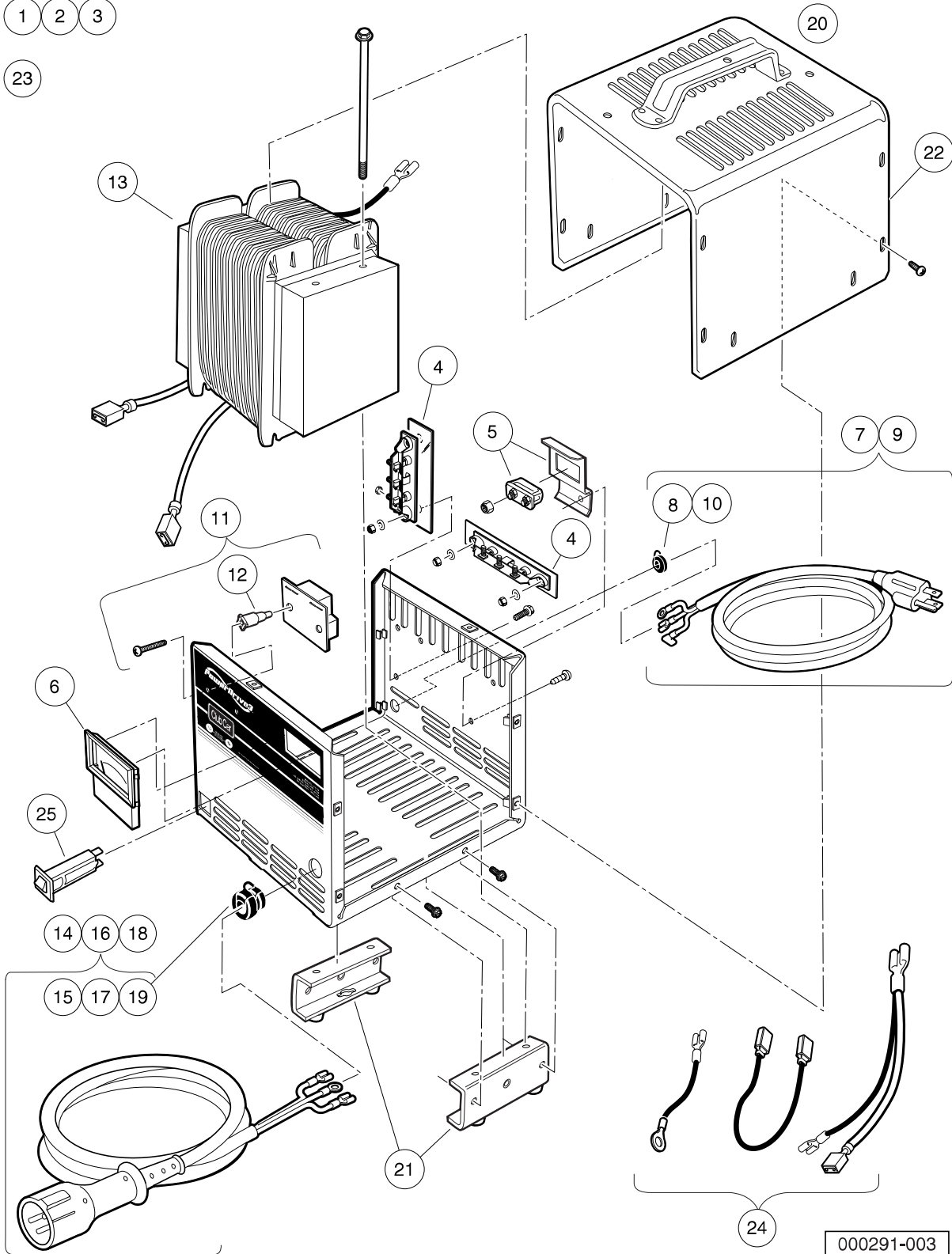


15

E

1 2 3

23



000291-003

## POWERDRIVE 3 BATTERY CHARGER, DOMESTIC

ITEM	PART NO.	DESCRIPTION	QTY
		1 2 3 4	
1	103499101	Chgr, Pd3 Stnry, 9Dc/6'Ac' .....	1
2	103499102	Chgr, Pd3 Stnry, 12Dc/9'Ac' .....	1
3	103499103	Chgr, Pd3 Stnry, 20Dc/9'Ac'(includes items 4 through 25) .....	1
4	1015914	Rectifier with Heatsink Assembly .....	2
5	102273701	PD2 Fuse Asm .....	1
6	102273801	PD2 Ammeter .....	1
7	103428501	Kit, PD3 Cordset - AC 80" (includes item 8) .....	1
8	102273901	PD2 AC Cord Bushing .....	1
9	103428601	Kit, PD3 Cordset, - AC 114" (includes item 10) .....	1
10	102273901	PD2 AC Cord Bushing .....	1
11	103428701	Asm, PD3 Board Relay (includes item 12) .....	1
12	103429701	PD3 Plastic Stand-Offs .....	2
13	103428801	PD3 Transformer .....	1
14	103429001	PD3 Cordset - DC 113" (includes item 15) .....	1
15	1012098	Bushing, DC Cord .....	1
16	103429101	PD3 Cordset - DC 154" (includes item 17) .....	1
17	1012098	Bushing, DC Cord .....	1
18	103429201	PD3 Cordset - DC 205" (includes item 19) .....	1
19	1012098	Bushing, DC Cord .....	1
20	103429301	Asm, PD3 Case (includes items 21 and 22) .....	1
21	103434001	Asm, PD3 Legs .....	1
22	103439901	PD3Case Top (Includes Handle) .....	1
23	103429501	Kit, PD3 Hardware .....	1
24	103429601	Kit, PD3 Wires .....	1
25	CCX8506	Circuit Breaker, 15-Amp/120-Volt .....	1

15

E