



01-046  
**GENESIS 250/300**  
**LOWER RAIL ASSEMBLY**  
INSTALLATION INSTRUCTIONS



\*Fishing pole holder  
not included

**INCLUDED:**  
Rails with bracket  
Hardware Pack

**TOOLS NEEDED:**  
#2 Phillips  
8mm socket or Wrench  
5/16" Drill bit  
Tape Measure  
Marking Pen  
Cordless Drill



Lower Rail

**Madjax recommends professional installation. If you choose to not have this product installed by a professional, we highly recommend that you exercise caution, care, and patience when installing this product as it involves drilling holes into your cart's body.**

1

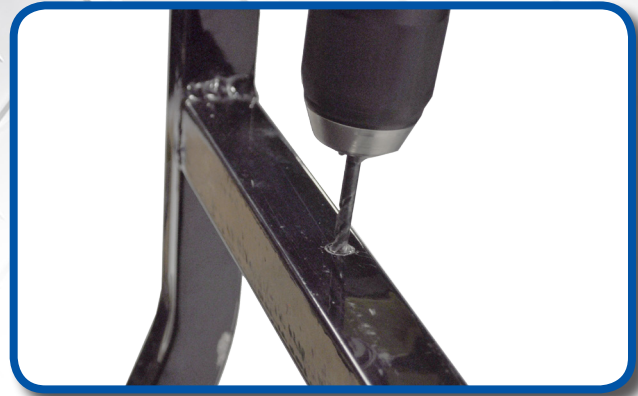
Using a #2 Phillips tip and 8mm socket or Wrench, remove the three 4mm x 50mm bolts from top rail.



2  
With top rail removed from bracket, center bracket on lower grab bar cross member. Mark hole locations.

**Note:** Be sure rail bracket is pushed tightly to the vertical side of cross member to minimize rocking.

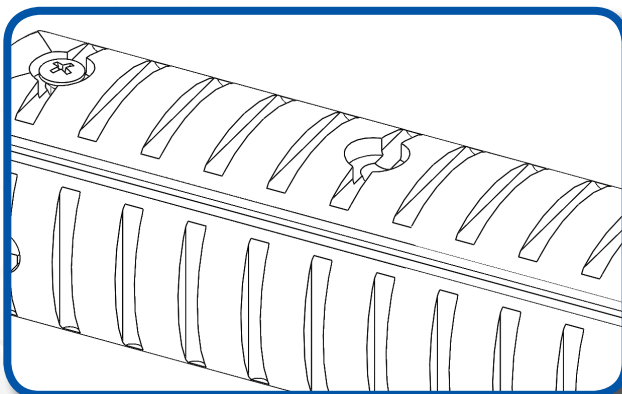
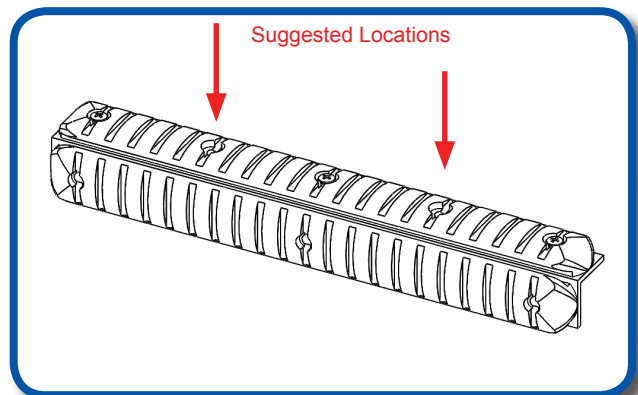
Using a 7/32" bit, drill through cross member of 3 marked locations.



Using the hardware retained from step 1, attach rail assembly to cross member and rail bracket as shown.

**NOTE:** There are two extra bolts, washers, and nuts included for additional stability. For use with loads above 30lbs this additional hardware needs to be added to rail assembly.

First locate the two suggested locations in the rail assembly diagram as shown. Using a 7/32" drill bit, drill in the rail channel and through the cross member for your new bolts.



Using a 5/16" drillbit, create a countersink hole in the plastic rail for the bolt head. Once the drill bit reaches the channel, stop drilling. Insert new hardware and tighten.

# INSTALLATION COMPLETE

VISIT [WWW.MYMADJAX.COM](http://WWW.MYMADJAX.COM) FOR MORE INSTALLATION VIDEOS.

## HARDWARE PACK

### Pack 1

- 5 - 4mm x 50mm phillips #2
- 5 - 4mm flat washers
- 5 - 4mm lock nuts

## WARRANTY PARTS

### W01-109

- Hardware pack

### W01-9-75

- L-Bracket

### W01-9-76

- Rail

### 01-046 - LOWER RAIL SYSTEM

#### WARRANTY PARTS EXPLODED VIEW DIAGRAMS

