



A Textron Company

Gasoline Powered Vehicle Service Parts Manual



625483-BE

ISSUED SEP 2011

REVISED NOVEMBER 2018

SERVICE PARTS MANUAL

GASOLINE POWERED UTILITY VEHICLE

EXPRESS L6

STARTING MODEL YEAR 2012

DISCLAIMER: The E-Z-GO Division of Textron Inc. (E-Z-GO) reserves the right to incorporate engineering and design changes to products in this Manual, without obligation to include these changes on units leased/sold previously.

The information contained in this Manual may be revised periodically E-Z-GO, and therefore is subject to change without notice.

E-Z-GO DISCLAIMS LIABILITY FOR ERRORS IN THIS MANUAL, and E-Z-GO SPECIFICALLY DISCLAIMS LIABILITY FOR INCIDENTAL AND CONSEQUENTIAL DAMAGES RESULTING FROM THE USE OF THE INFORMATION AND MATERIALS IN THIS MANUAL.

TO CONTACT US

NORTH AMERICA:

TECHNICAL ASSISTANCE & WARRANTY PHONE: 1-800-774-3946, FAX: 1-800-448-8124

SERVICE PARTS PHONE: 1-888-GET-EZGO (1-888-438-3946), FAX: 1-800-752-6175

INTERNATIONAL: PHONE: 001-706-798-4311, FAX: 001-706-771-4609

E-Z-GO DIVISION OF TEXTRON INC., 1451 MARVIN GRIFFIN RD., AUGUSTA, GEORGIA USA 30906-3852

GENERAL INFORMATION

To obtain a copy of the limited warranty applicable to the vehicle, call or write a local Distributor, authorized Branch or the Warranty Department with vehicle serial number and manufacturer code.

The use of non Original Equipment Manufacturer (OEM) parts may void the warranty.

Overfilling of batteries may void the warranty.

BATTERY PROLONGED STORAGE

All batteries will self discharge over time. The rate of self discharge varies depending on the ambient temperature and the age and condition of the batteries.

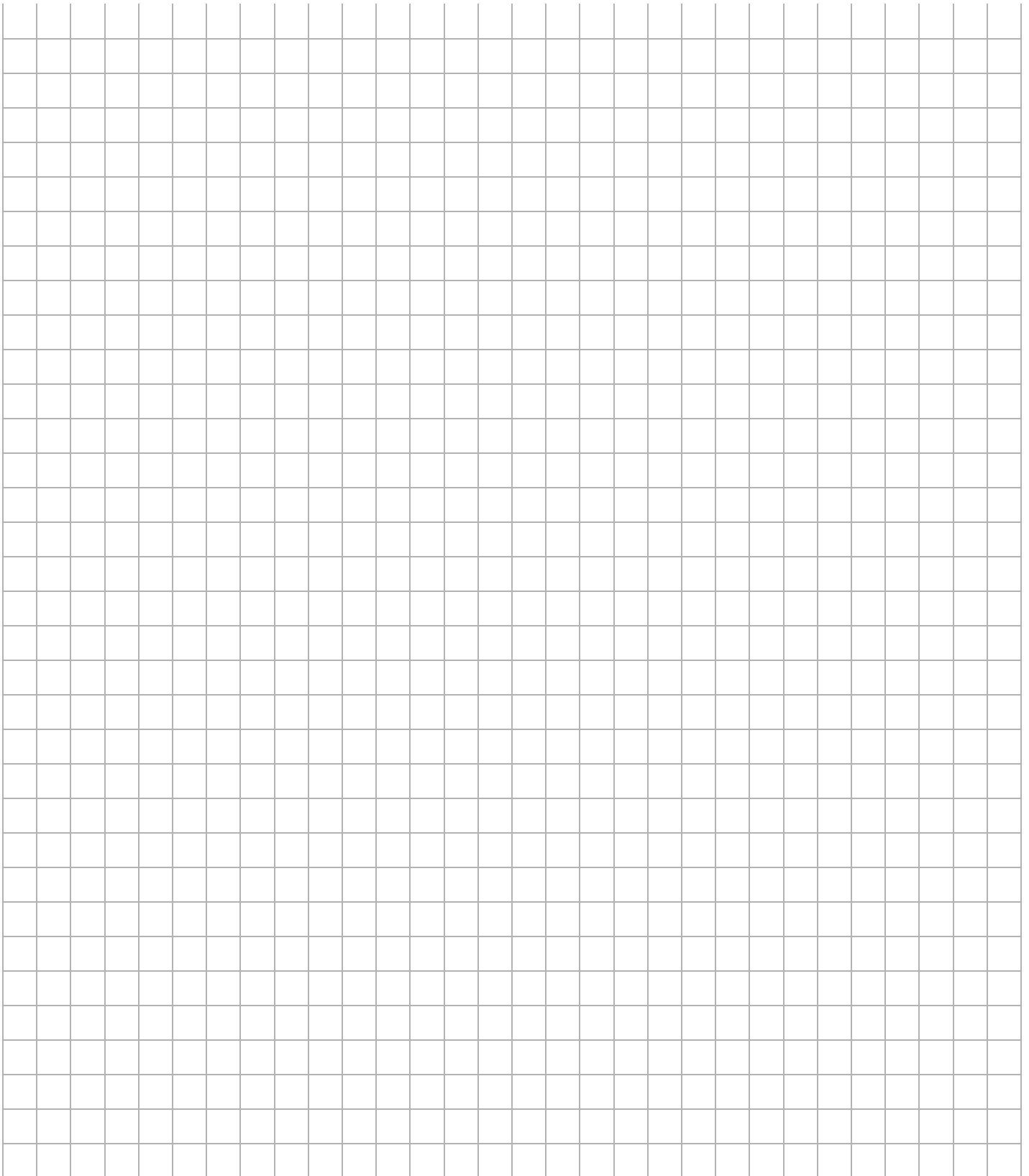
A fully charged battery will not freeze in winter temperatures unless the temperature falls below -75° F (-60° C).

As with all electric vehicles, the batteries must be checked and recharged as required or at a minimum of 30 day intervals.

TABLE OF CONTENTS

SECTION	Page No.
HOW TO USE THE SERVICE PARTS MANUAL	V
ACCELERATOR	A-1
AIR FILTER	B-1
BODY	C-1
BRAKES MECHANICAL	D-1
CARBUR9TOR	E-1
CLUTCH	F-1
DIRECTION SELECTOR	G-1
ELECTRICAL SYSTEM	H-1
ENGINE MOUNTING	J-1
ENGINE MUFFLER	K-1
FRONT SUSPENSIONAND STEERING	L-1
FUEL SYSTEM	M-1
REAR AXLE	N-1
REAR SUSPENSION	P-1
SEATING	Q-1
STARTER/GENERATOR	R-1
TRUCK BED	S-1
WEATHER PROTECTION	T-1
WHEELS AND TIRES	U-1

NOTES



HOW TO USE THE SERVICE PARTS MANUAL

This manual is divided into several sections:

- GENERAL INFORMATION
- ILLUSTRATED PARTS BREAKDOWN
- APPENDIX

The first section, GENERAL INFORMATION, contains the following information:

- WARRANTY INFORMATION
- GENERAL INDEX
- HOW TO USE THE SERVICE PARTS MANUAL

The second section, ILLUSTRATED PARTS BREAKDOWN, contains illustrations and parts lists for all systems of your vehicle.

The third section, APPENDIX, contains a listing of specialty products and accessories.

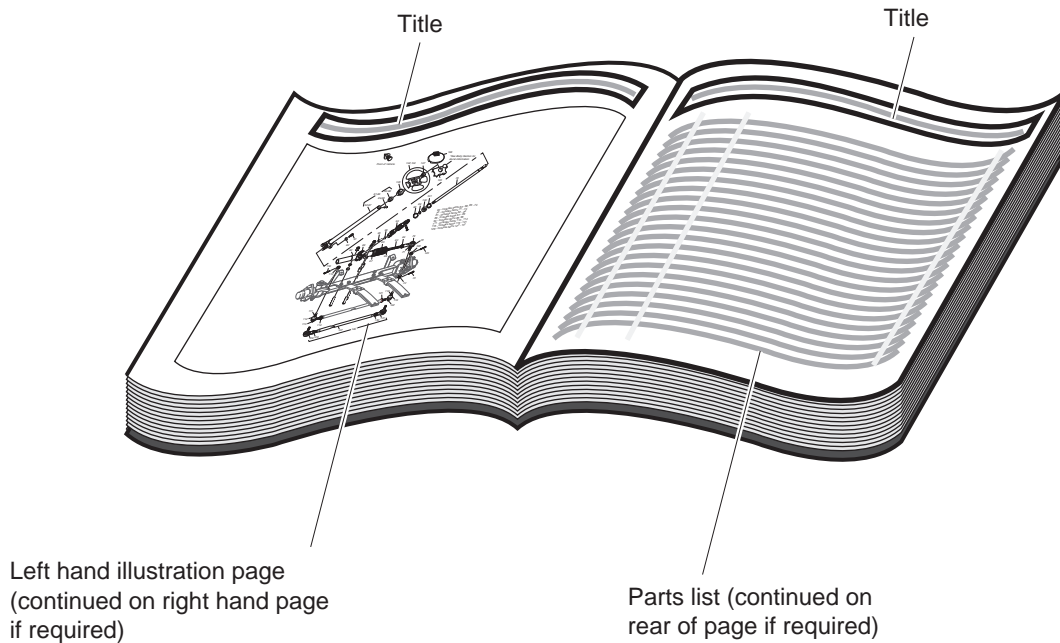
USE OF THE MANUAL

To use this manual, consult the GENERAL INDEX to locate the information or illustration required.

Introduction of some revisions varies due to supply of components; therefore, it is possible that various combinations of components may be found that are not directly reflected by each illustration. Consult the illustration that best suits your situation and then contact the Service Parts Department. It is important that the serial number of your vehicle and its model number be supplied to Service Parts when ordering any replacement components.

Locate the serial number plate (see BODY located in the Illustrated Parts Breakdown section of this manual for its location) and note the complete number shown on the plate.

HOW TO USE THE SERVICE PARTS MANUAL



1. WHEN THE PART NUMBER IS NOT KNOWN

- Determine the function and application of the part required. Turn to the General Index and select the most appropriate title.
- Turn to the page number indicated and locate the desired part on the illustration.
- From the illustration, obtain the item number assigned to the desired part. Refer to the accompanying description for specific information regarding the part.

2. IF YOU KNOW THE PART NUMBER

- Locate the part number or description in the appropriate column on the parts list page.

NOTE: It is suggested that you confirm that the part selected is correct by verifying it with the pictorial representation on the illustrated page.

Should an asterisk (*) appear in the part number column on the parts list page, read upwards until a part number is found. The part number is the lowest assembly sold by Service Parts and the asterisk (*) indicates that the part depicted is not available for purchase.

NOTE: Descriptions are indented under the assembly that they are used on. That assembly is, in turn listed under the assembly that it is used on. This process is repeated until the highest final assembly is reached.

To facilitate the maintenance and repair of the vehicle, a Technician's Repair and Service Manual is available from the Service Parts Department.

HOW TO USE THE SERVICE PARTS MANUAL

3. COLOR CODE FOR BODY COMPONENTS

The last two digits of the part number for the body part will denote the color code, locate the part number for the cowl, rear body, seat pod, side panel or seat wrap then locate your color in the list below, replace the last ** or XX with the two digit color code.

<u>CODE #</u>	<u>DESCRIPTION</u>	<u>CODE #</u>	<u>DESCRIPTION</u>
01	NO PAINT	53	MOSSY OAK NEW BREAK UP - DIPPED
02	SPECIAL COLOR	54	MOSSY OAK OBSESSION - DIPPED
05	JACOBSEN ORANGE	55	REALTREE ADVANTAGE MAX 4 - DIPPED
06	LIGHT GOLD PEARL	56	REALTREE HARDWOOD BROWN - DIPPED
07	SILVER PEARL METALIC	57	REALTREE AP HOT PINK - DIPPED
11	BLACK	58	BLACK / SILVER MARBLE - DIPPED
12	EMERALD GREEN PEARL	59	RED / SILVER MARBLE - DIPPED
13	CLOUD GRAY	60	HOT PINK / SILVER MARBLE - DIPPED
14	VIPER BLUE METALLIC	61	REALTREE AP
19	PATRIOT BLUE PEARL	62	REALTREE MAX 4
20	INFERNO RED METALLIC	63	MOSSY OAK BREAKUP
23	ADVANTAGE CLASSIC CAMO	64	MOSSY OAK TREESTAND
24	NATURAL	65	REALTREE APG
25	VIVID NEW HOLLAND BLUE	66	REALTREE MAX 1
26	STEEL BLUE PEARL	67	REALTREE AP PINK
27	BRIGHT SILVER METALLIC	68	REALTREE AP - DIPPED
29	PRIMER ONLY	69	MONSTER GREEN
30	HD ADVANTAGE CAMO	74	BARLEY GOLD
31	METALLIC CHARCOAL	75	OASIS GREEN
32	LIGHT ALMOND PEARL	76	JAVA BROWN
33	TIMBERLINE GREEN		
34	DEEP MOLTEN RED		
35	SAFETY YELLOW		
36	IVORY		
37	FOREST GREEN		
38	BRIGHT WHITE		
39	FLAME RED		
40	BLACK		
41	ELECTRIC BLUE		
42	PLATINUM		
43	BURGUNDY		
44	ALMOND		
45	BLACK		
46	BURGUNDY		
47	BURLINGTON GREEN		
48	BLACK		
49	FLAME RED		
50	RECON GREEN		
51	SUNBURST ORANGE		
52	BRITISH RACING GREEN		

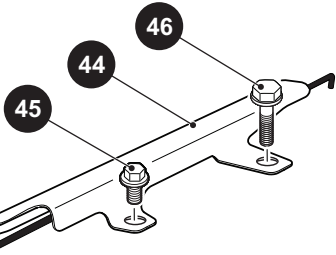
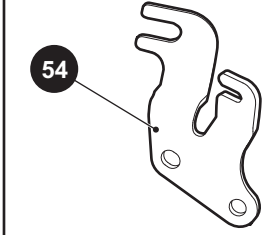
WARNING

DO NOT TAMPER WITH OR ATTEMPT TO CHANGE THE ADJUSTMENT OF THE GOVERNOR. GOVERNOR TAMPERING CAN RESULT IN SERIOUS PERSONAL INJURY AND WILL VOID THE VEHICLE WARRANTY.

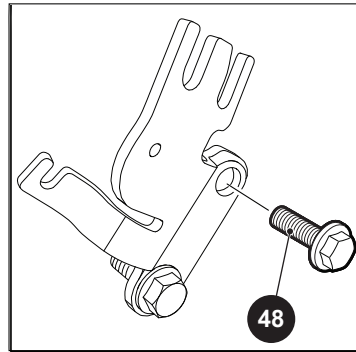
50

FOR VEHICLES
MANUFACTURED
FROM APRIL 2014

54

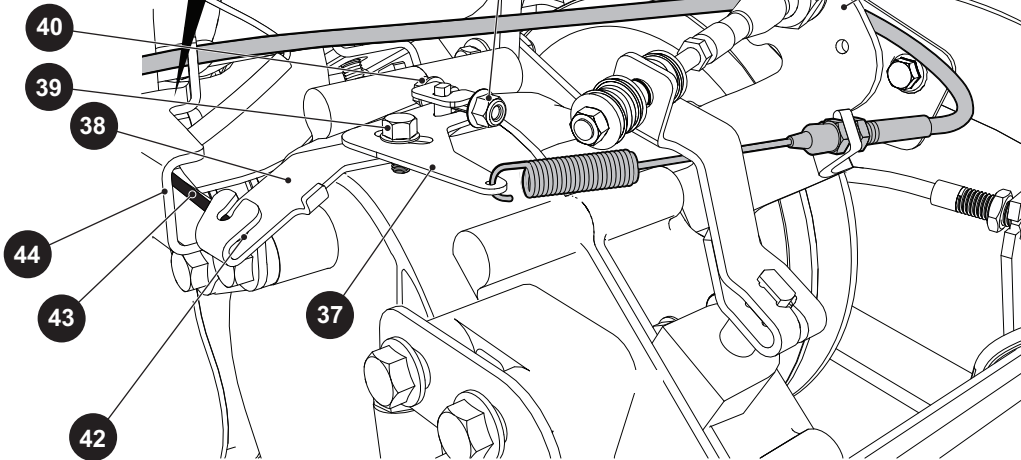


41



48

47



Differential

ACCELERATOR

When ordering parts, please specify the model and serial number of the product.

* Indicates a component that is not available as an individual part.

*** Indicates consult Customer Service Department for additional information.

ITEM	PART NO.	1	2	3	4	5	DESCRIPTION	QTY.
1	606992						PEDAL BOX ASSEMBLY (INCLUDES ITEMS 2 - 33).....	1
2	652241G03						ACCELERATOR PEDAL BRACKET	1
3	01051G01						SCREW, #8 - 16 X 1/2" LG	4
4	25853G03						PEDAL BOX AND COVER.....	1
5	00684G6						SCREW, #8 - 32 X 3/4" LG (STAINLESS STEEL).....	2
6	25861G01						MICRO SWITCH	1
7	01050G01						SCREW, #4 - 20 X 5/8" LG	2
8	72716G01						MICRO SWITCH CAM	1
9	15126G1						LOCK NUT, 5/16" - 24	1
10	00487G3						SET SCREW, 1/4 - 20 X 3/8" LG	1
11	00532G4						HEX NUT, 5/16" - 24	2
12	17677G1						SPRING RETAINER	1
13	17979G1						ACCELERATOR ROD BUSHING	1
14	73046G01						COMPRESSION SPRING	1
15	17677G2						SPRING RETAINER	1
16	72072G01						ACCELERATOR ROD	1
17	10385G4						CLEVIS YOKE (ADJUSTABLE).....	1
18	10386G3						CLEVIS PIN, 5/16" X 13/16" LG.....	1
19	17838G1						NYLON BUSHING	3
20	17255G1						TEFLON WASHER, 5/16"	1
21	10387G3						COTTER PIN, 3/32" X 3/4" LG.....	1
22	74432G01						PEDAL PIVOT PIN.....	1
23	12064G6						PUSH NUT, 9/32"	1
24	12730G1						WHEEL BEARING GREASE (NOT ILLUSTRATED).....	A/R
25	72201G04						WIRE HARNESS (PEDAL BOX).....	1
26								
27								
28	608618						ACCELERATOR CABLE.....	1
29								
30	25799G03						ACCELERATOR PEDAL ASSEMBLY (INCLUDES ITEMS 31- 33).....	1
31	652824						ACCELERATOR PEDAL	1

ACCELERATOR

When ordering parts, please specify the model and serial number of the product.

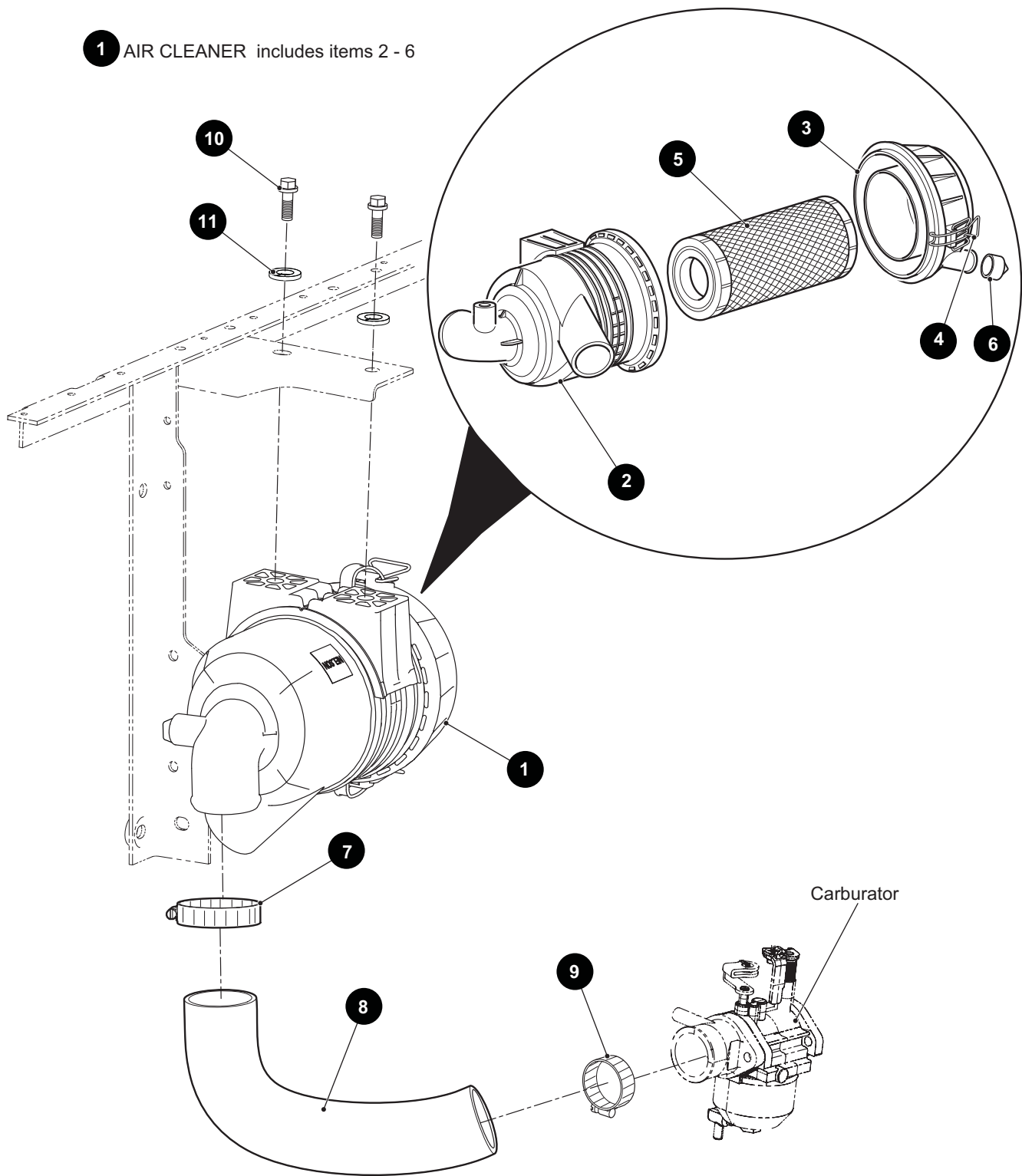
* Indicates a component that is not available as an individual part.

*** Indicates consult Customer Service Department for additional information.

ITEM	PART NO.	1	2	3	4	5	DESCRIPTION	QTY.
32	16409G1						OVAL RIVET, 3/16" X 7/16" LG	6
33	27512G01						ACCELERATOR PEDAL PAD	1
34								
35	00715G2						HEX HEAD BOLT, 5/16" -18 X 4/5" LG	4
36								
37	606083						UPPER GOVERNOR BRACKET	1
38	606005						LOWER GOVERNOR BRACKET	1
39	73876G01						HEX HEAD BOLT, M6 - 1 X 12MM LG	1
40	606421						HEX HEAD BOLT, M6 - 1 X 30MM LG	1
41	450452						NUT, M6 - 1.0	1
42	606283						GOVERNOR LEVER BUSHING	1
43	606284						GOVERNOR ROD	1
44	603890						GOVERNOR ROD GUARD	1
45	606264						HEX HEAD BOLT, M6 - 1 X 20MM LG	1
46	606262						HEX HEAD BOLT, M8 - 1.25 X 16MM LG	1
47	606074						GOVERNOR CABLE / DIRECTION SELECTOR BRACKET	1
48	606256						BOLT, M10 - 1.25 X 16	2
49								
50	608527						GOVERNOR WARNING DECAL	1
51								
52								
53	17618G1						NYLON CLAMP	2
54	632936						GOVERNOR CABLE / DIRECTION SELECTOR BRACKET (FOR VEHICLES MANUFACTURED FROM APRIL 2014)	1

AIR FILTER

1 AIR CLEANER includes items 2 - 6



AIR FILTER

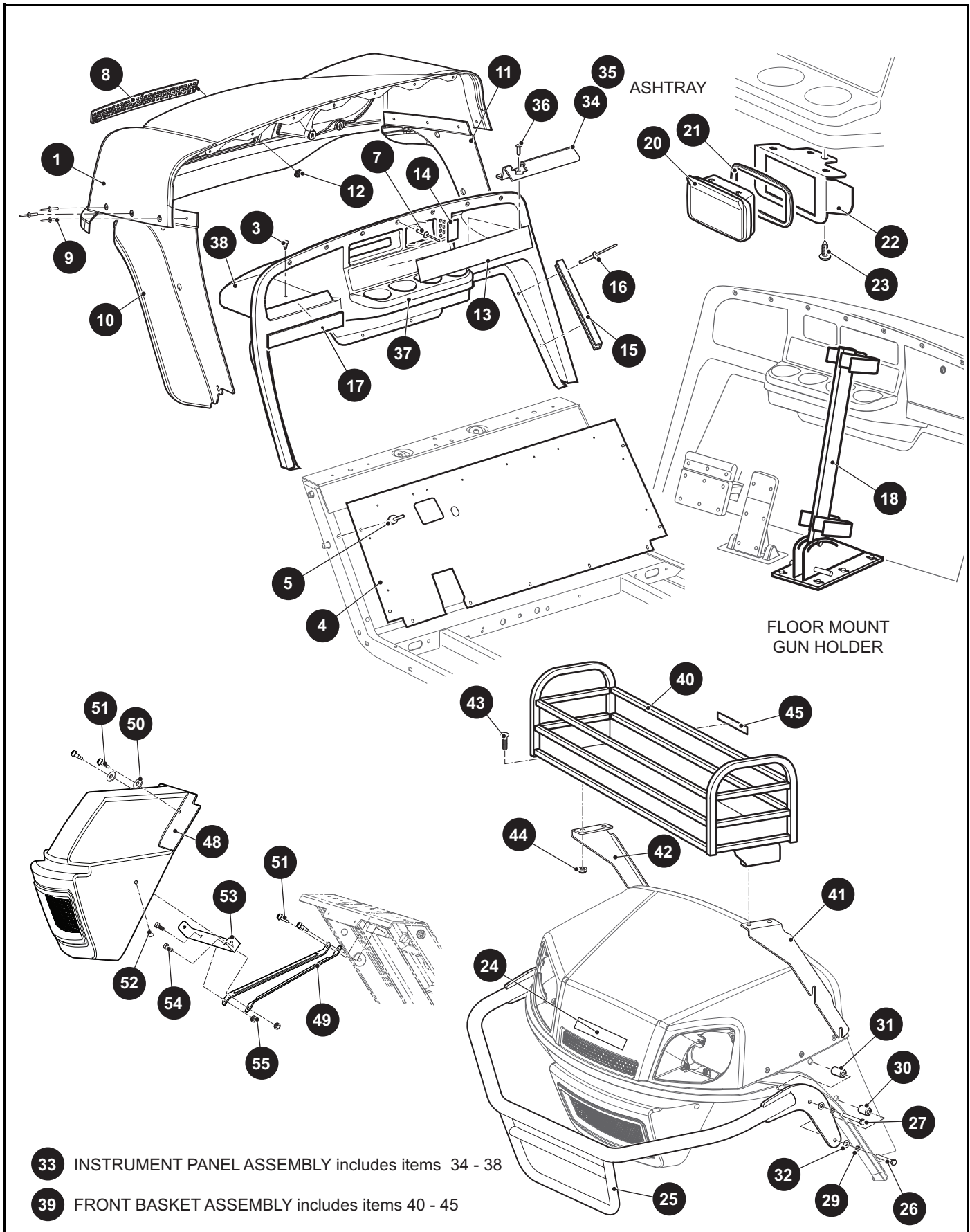
When ordering parts, please specify the model and serial number of the product.

* Indicates a component that is not available as an individual part.

*** Indicates consult Customer Service Department for additional information.

ITEM	PART NO.	1 2 3 4 5	DESCRIPTION	QTY.
1	658941		AIR CLEANER (INCLUDES ITEMS 2 - 6)	1
2	659139		AIR CLEANER BODY.....	1
3	658957		AIR CLEANER COVER.....	1
4	72604G01		AIR CLEANER CLIP.....	2
5	28463G01		AIR FILTER	1
6	28462G01		DUST EJECTOR VALVE	1
7	11391G7		HOSE CLAMP.....	1
8	601910		HOSE, 14" LONG	1
9	11391G1		HOSE CLAMP.....	1
10	606271		BOLT M8 - 1.25 X 20	2
11	606272		LOCK WASHER, 8 MM.....	2

BODY



When ordering parts, please specify the model and serial number of the product.

* Indicates a component that is not available as an individual part.

*** Indicates consult Customer Service Department for additional information.

ITEM	PART NO.	1 2 3 4 5	DESCRIPTION	QTY.
1	613036G**		COWL (See COLOR CODE in HOW TO USE section)	1
2				
3	16816G2		RATCHET FASTENER, 1/4" X 3/4" LG	4
4	637534		UPPER FLOORPAN	1
5	14601G11		RIVET (ALUMINUM), 3/16" X 9/16"	16
6				
7	71055G01		RIVET, 3/16" X 1"	7
8	617643		GRILL COVER	1
9	71055G01		RIVET, 3/16" X 1"	6
10	614378		FENDER FLARE (DRIVER SIDE)	1
11	613274		FENDER FLARE (PASSENGER SIDE)	1
12	71597G01		SELF THREADING NUT, 3/16" X 19/32"	2
13	608465		LABEL (IP)	1
14	601781		T-HOLDER COVER DECAL	1
15	71115G01		VINYL TRIM	2
16	71055G01		RIVET, 3/16" X 1"	10
17	74443G01		ANTI-ROLLBACK LABEL	1
18	74365G01		GUN HOLDER REMOVABLE FLOOR MOUNT	1
19				
20	27731G01		ASHTRAY	1
21	27736G01		GASKET (ASHTRAY)	1
22	75108G02		BRACKET	1
23	00106G6		PAN HEAD PHILLIPS SCREW, #12 - 14 X .75" LG	4
24	619206		E-Z-GO COWL DECAL	1
25	617620		BRUSHGUARD	1
26	00440G2		HEX HEAD BOLT, 5/16" - 18 X 2 1/4" LG	2
27	00440G6		HEX HEAD BOLT, 5/16" - 18 X 2 3/4" LG	2
28				
29	00565G8		LOCK WASHER (BLACK), 5/16"	4
30	75048G04		SPACER, 21/64" X 3/4" X 1" LG	2
31	75048G02		SPACER, 21/64" X 3/4" X 1 5/16" LG	2

BODY

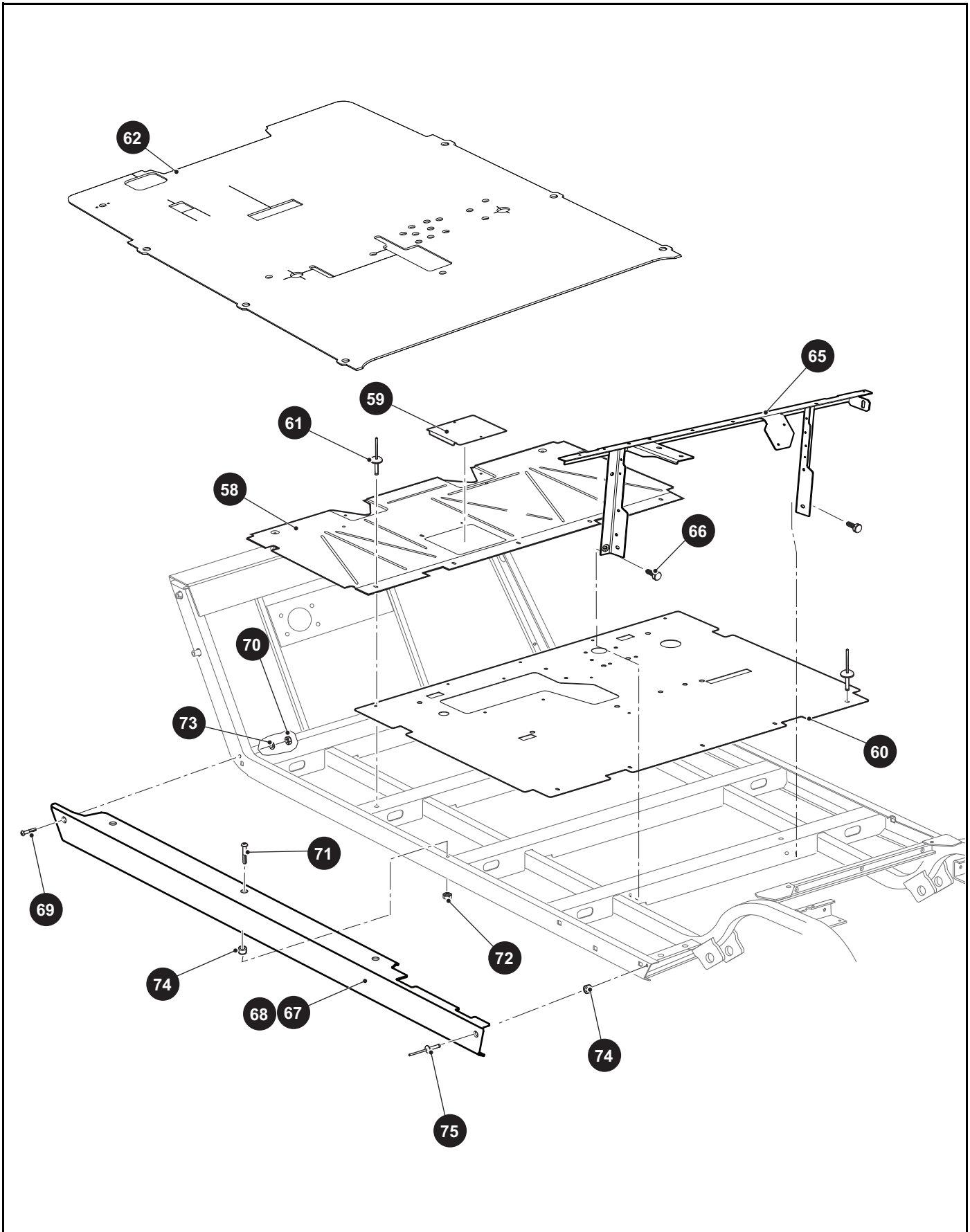
When ordering parts, please specify the model and serial number of the product.

* Indicates a component that is not available as an individual part.

*** Indicates consult Customer Service Department for additional information.

ITEM	PART NO.	1 2 3 4 5	DESCRIPTION	QTY.
32	00559G8		FLAT WASHER, 5/16"	4
33	71151G03		INSTRUMENT PANEL ASSEMBLY (INCLUDES ITEMS 34 - 38)	1
34	71153G01		DEFLECTOR (PASSENGER SIDE)	1
35	71154G01		DEFLECTOR (DRIVER SIDE)	1
36	00614G3		PAN HEAD PHILLIPS SCREW, #8 - 15 X 3/8" LG	4
37	71158G01		INSTRUMENT PANEL INSERT (FOUR CUP)	1
38	71152G01		INSTRUMENT PANEL	1
39	74521G02		FRONT BASKET ASSEMBLY (INCLUDES ITEMS 40 - 45)	1
40	74523G01		BASKET	1
41	625076		BRACKET (DRIVER SIDE)	1
42	625077		BRACKET (PASSENGER SIDE)	1
43	00725G01		CARRIAGE BOLT (SS), 3/8" - 16 X 1" LG	4
44	11098G5		LOCK NUT, 3/8" - 16	4
45	71931G01		DECAL	1
46				
47				
48	613273		FRONT FASCIA	1
49	70725G02		FRONT SHIELD BRACE	2
50	16469G1		FENDER WASHER, 9/32" I.D. X 1 1/4" O.D.	2
51	01038G01		HEX HEAD BOLT, 1/4" - 20 X 3/4" LG	4
52	15058G1		RIVET (ALUMINUM), 3/16" X 4/9"	2
53	618653		FASCIA BRACKET	1
54	00414G6		HEX HEAD BOLT, 1/4" - 20 X 3/4" LG	2
55	14390G4		LOCK NUT, 1/4" - 20	2
56				
57				

BODY



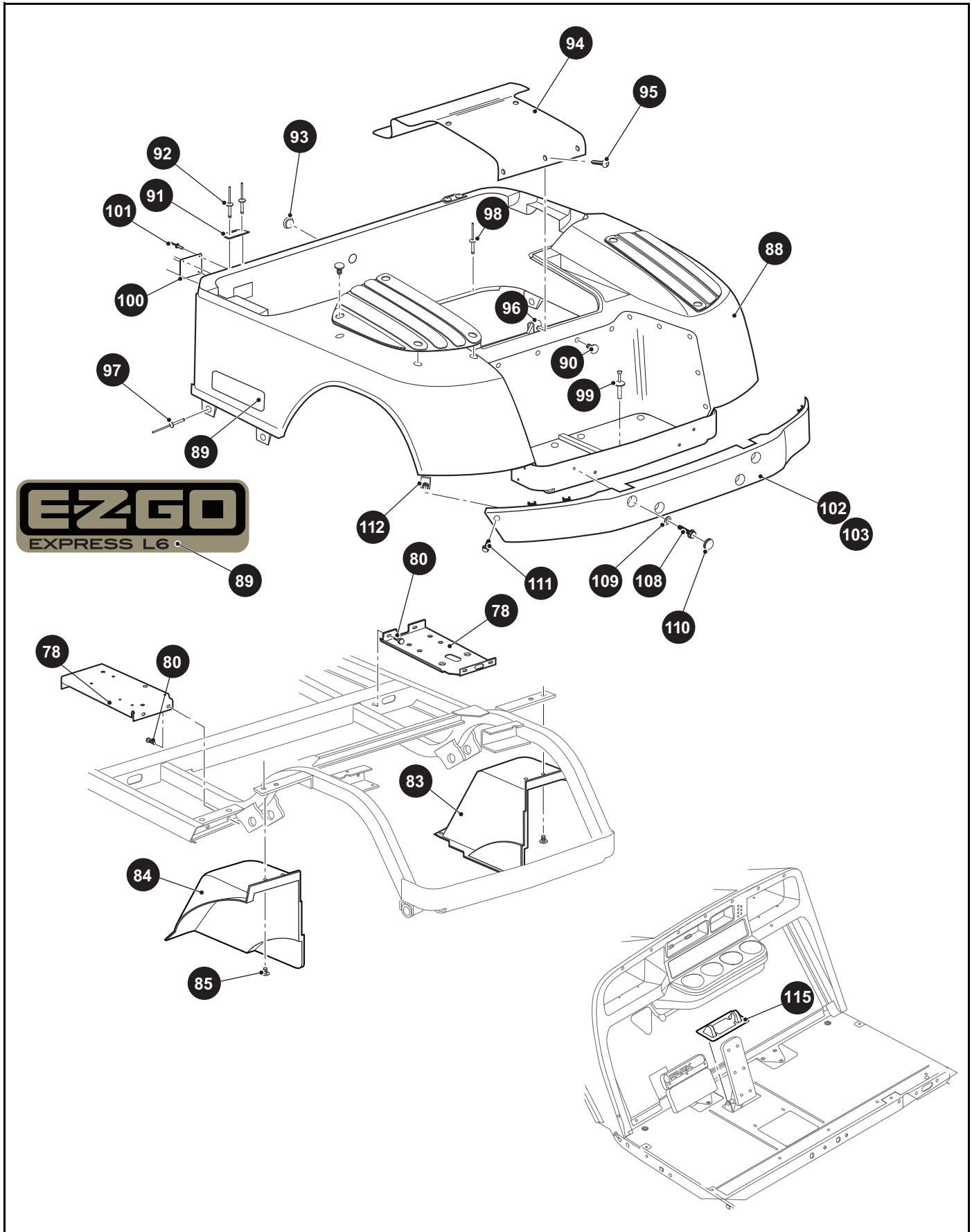
When ordering parts, please specify the model and serial number of the product.

* Indicates a component that is not available as an individual part.

*** Indicates consult Customer Service Department for additional information.

ITEM	PART NO.	1 2 3 4 5	DESCRIPTION	QTY.
58	70451G01		LOWER FLOORPAN	1
59	70452G01		ACCESS COVER.....	1
60	648840		REAR FLOORPAN.....	1
61	10570G10		RIVET (SS), 5/32" X 9/16"	5
62	652139G03		FLOORMAT WITH HORN HOLES	1
63				
64				
65	605694		SEAT FRAME	1
66	00715G2		HEX HEAD BOLT, 5/16" - 18 X 13/16" LG	4
67	618889		ROCKER PANEL (DRIVER SIDE).....	1
68	618888		ROCKER PANEL (PASSENGER SIDE)	1
69	00789G2		TRUSS HEAD PHILLIPS SCREW, #10 - 24 X 1 1/4" LG	2
70	14390G10		LOCK NUT, #10 - 24	2
71	16705G1		PAN HEAD PHILLIPS SCREW (SS), 1/4" - 20 X 1" LG.....	6
72	14390G4		LOCK NUT, 1/4" - 20.....	6
73	00660G5		FLAT WASHER, #10	2
74	23726G4		SPACER, 5/16"	8
75	15058G6		RIVET (ALUMINUM), 3/16" X 15/16"	2
76				
77				

BODY



When ordering parts, please specify the model and serial number of the product.

* Indicates a component that is not available as an individual part.

*** Indicates consult Customer Service Department for additional information.

ITEM	PART NO.	1 2 3 4 5	DESCRIPTION	QTY.
78	70244G05		SPLASH PAN.....	2
79				
80	00715G2		HEX HEAD BOLT, 5/16" - 18 X 13/16" LG	8
81				
82				
83	635054G02		FENDER (PASSENGER SIDE)	1
84	635054G01		FENDER (DRIVER SIDE).....	1
85	16816G2		RATCHET FASTENER, 1/4" X 3/4"	8
86				
87				
88	71334G0XX		REAR BODY WITH LNR AND WITH LIGHT (See COLOR CODES in HOW TO USE section)	1
89	619188		E-Z-GO DECAL.....	1
90	16816G1		RATCHET FASTENER, 1/4" X 5/8"	20
91	71609G01		HINGE PLATE.....	2
92	10570G11		RIVET (SS), 3/16" X 3/4"	4
93	71316G01		PLUG	1
94	71320G01		ACCESS PANEL.....	1
95	01107G01		PAN HEAD TORX SCREW, #8 X 5/8" LG	5
96	71364G02		'J' CLIP, #8	1
97	10570G12		RIVET (ALUMINUM), 1/4" X 9/16"	2
98	10570G10		RIVET (SS), 5/32" X 9/16"	6
99	18436G1		PLASTIC RIVET, 1/4" X 9/16"	2
100	73173G02		COVER PLATE	1
101	71055G01		RIVET (ALUMINUM), 3/16" X 1"	4
102	71451G02		REAR BUMPER.....	1
103	71456G01		REAR BUMPER (FOR VEHICLES WITH CARGO BED OPTION)	1
104				
105				
106				
107				

BODY

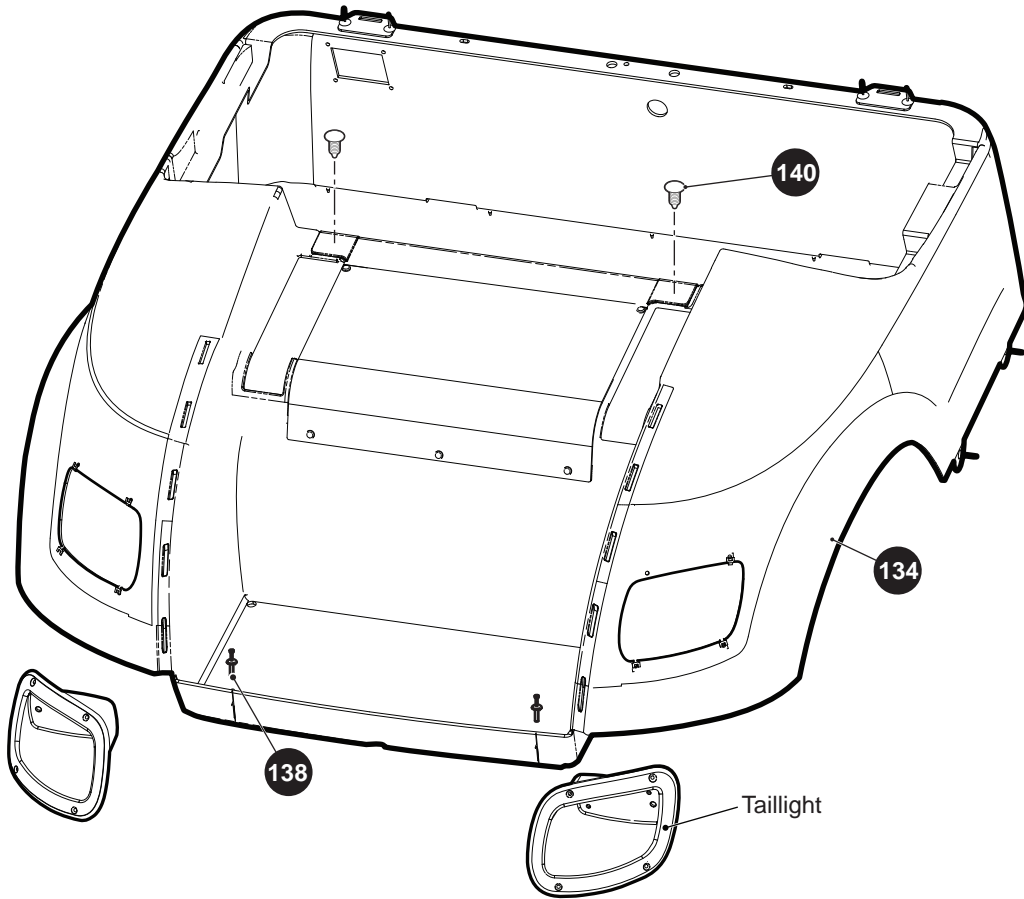
When ordering parts, please specify the model and serial number of the product.

* Indicates a component that is not available as an individual part.

*** Indicates consult Customer Service Department for additional information.

ITEM	PART NO.	1 2 3 4 5	DESCRIPTION	QTY.
108	71102G01		HEX HEAD BOLT, 1/4" - 20 X 3/4" LG	2
109	00571G2		FLAT WASHER, 5/16"	2
110	71455G01		BUMPER PLUG	4
111	71102G01		HEX HEAD BOLT, 1/4" - 20 X 3/4" LG	2
112	71554G01		"J"-TYPE NUT RETAINER, 1/4" - 20	2
113				
114				
115	70135G01		PEDAL PIVOT COVER	1
116				
117				
118				
119				
120				
121				
122				
123				
124				
125				
126				
127				
128				
129				
130				
131				
132				
133				

VEHICLES MANUFACTURED FROM MARCH 2014



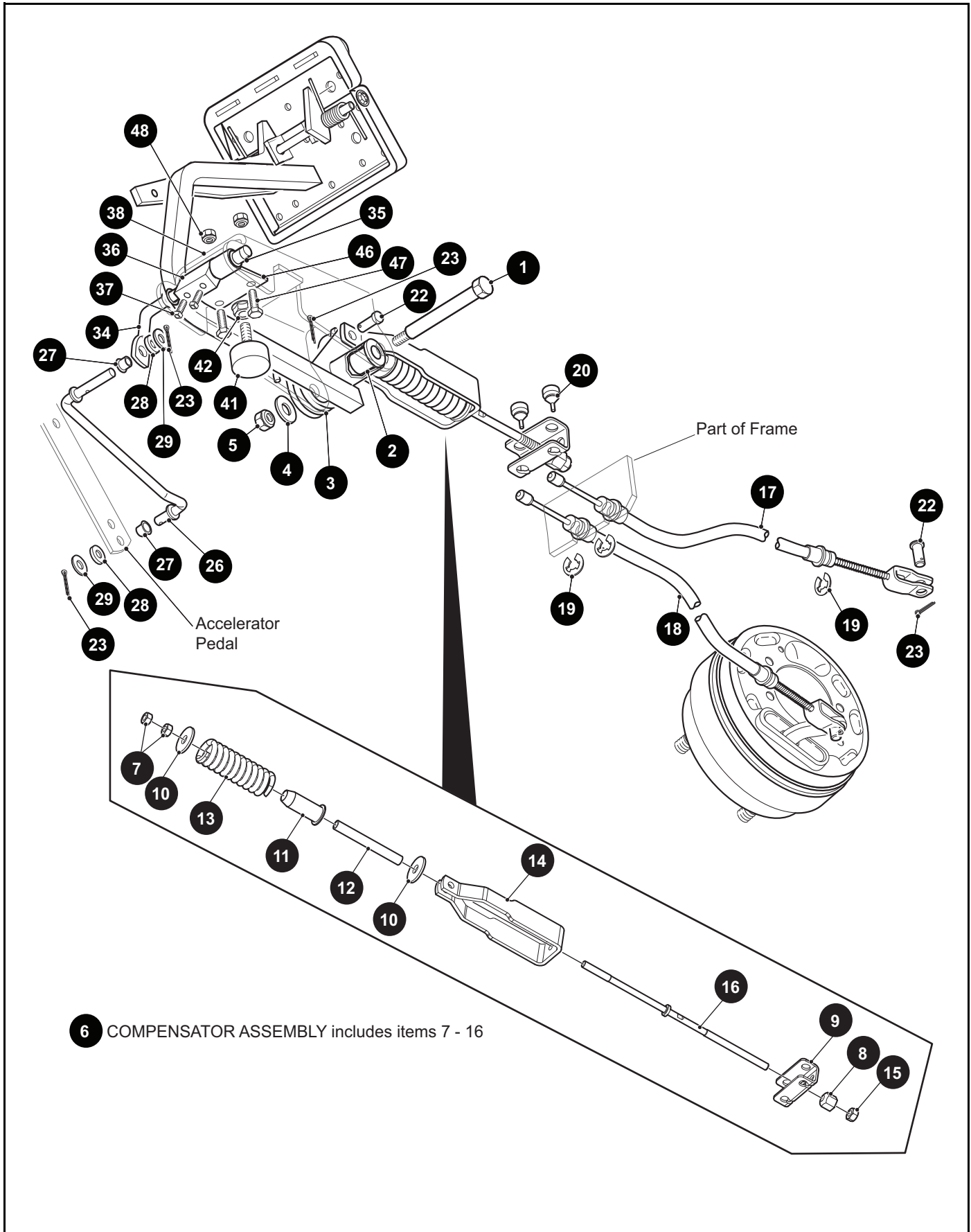
When ordering parts, please specify the model and serial number of the product.

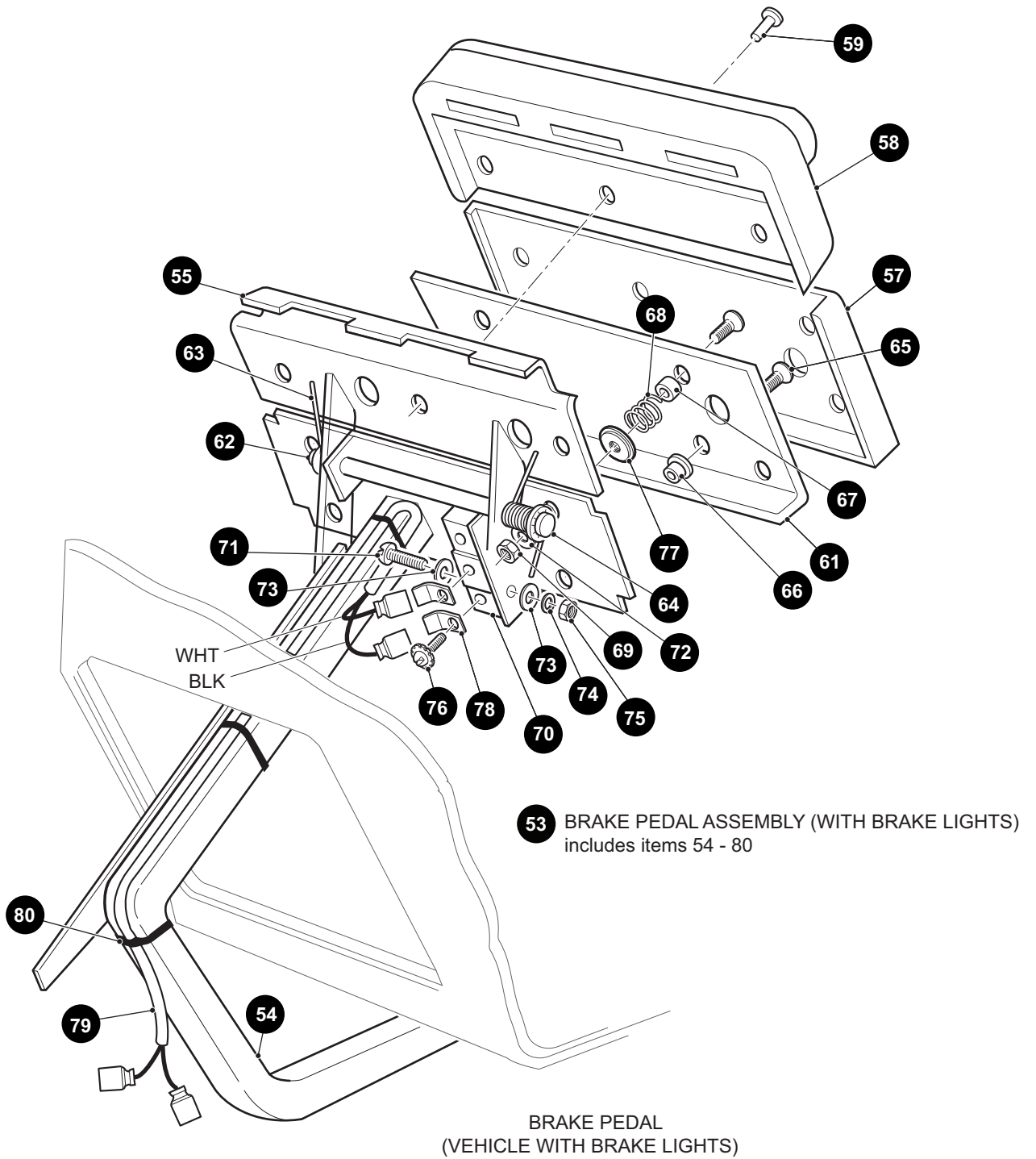
* Indicates a component that is not available as an individual part.

*** Indicates consult Customer Service Department for additional information.

ITEM	PART NO.	1 2 3 4 5	DESCRIPTION	QTY.
134	625272G1XX		REAR BODY(See COLOR CODES in HOW TO USE section) (FOR VEHICLES MANUFACTURED FROM MARCH 2014).....	1
135				
136				
137				
138	633917		RIVET (FOR VEHICLES MANUFACTURED FROM MARCH 2014)	2
140	16816G2		RATCHET RIVET, .25" X .887" (FOR VEHICLES MANUFACTURED FROM MARCH 2014).....	2
141				
142				

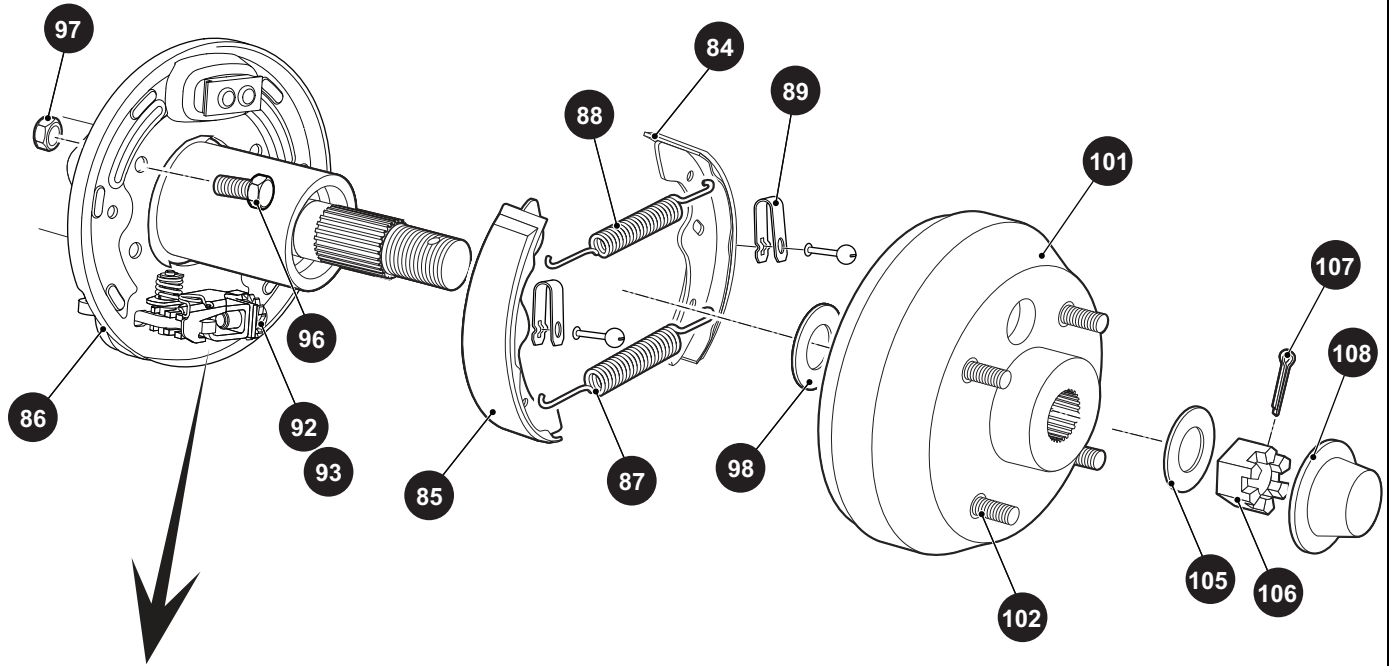
BRAKES - MECHANICAL



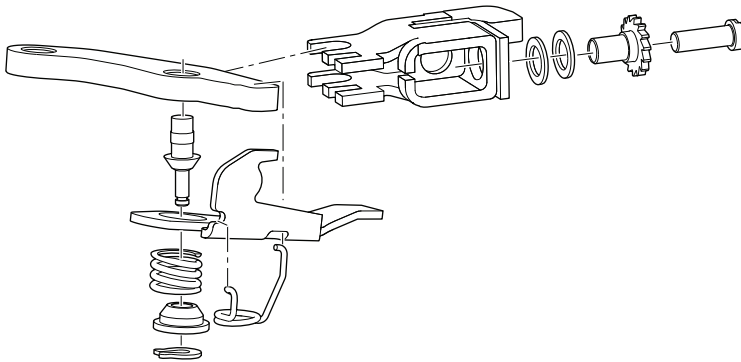


BRAKES - MECHANICAL

BOTTOM PULL



ADJUSTER ASSEMBLY



- 82** BRAKE ASSEMBLY (DRIVER SIDE) includes items 84 - 89, 92
- 83** BRAKE ASSEMBLY (PASSENGER SIDE) includes items 84 - 89, 93
- 100** BRAKE DRUM ASSEMBLY includes items 101, 102

BRAKES - MECHANICAL

When ordering parts, please specify the model and serial number of the product.

* Indicates a component that is not available as an individual part.

*** Indicates consult Customer Service Department for additional information.

ITEM	PART NO.	1 2 3 4 5	DESCRIPTION	QTY.
1	70582G01		STAINLESS STEEL SHOULDER BOLT, 3/8 - 16 X 4" LG	1
2	70581G01		FLANGED BUSHING	2
3	70676G01		TORSION SPRING	1
4	00643G1		FLAT WASHER, 3/8" X 1.0 X.063	1
5	11098G5		LOCK NUT, 3/8 - 16	1
6	612558		COMPENSATOR ASSEMBLY (INCLUDES ITEMS 7 - 16).....	1
7	00532G4		HEX NUT	2
8	629486		HEX NUT, 5/16 - 24	1
9	28082G01		EQUALIZER BRACKET	1
10	15121G1		FLAT WASHER - 5/16	2
11	17979G1		ACCELERATOR ROD BUSHING.....	1
12	23061G2		TUBE	1
13	23463G1		COMPRESSION SPRING	1
14	652256		BRAKE YOKE	1
15	11098G9		HEX LOCK NUT, 5/16 - 24	1
16	612557		COMPENSATOR LINK ROD.....	1
17	624695		BRAKE CABLE 65.06"	1
18	624696		BRAKE CABLE 74.81"	1
19	01111G01		STAINLESS STEEL RETAINING RING, 13/32"	4
20	28083G01		BRAKE COMPENSATOR BUMPER.....	2
21				
22	10386G3		CLEVIS PIN, 5/16" X 13/16" LG.....	3
23	10387G3		COTTER PIN, 3/32" X 3/4" LG.....	5
24				
25				
26	70601G01		KICK-OFF LINK	1
27	17838G1		NYLON BUSHING	2
28	20835G1		TEFLON WASHER, 3/8"	2
29	00559G8		FLAT WASHER, 5/16"	2
30				
31				

BRAKES - MECHANICAL

When ordering parts, please specify the model and serial number of the product.

* Indicates a component that is not available as an individual part.

*** Indicates consult Customer Service Department for additional information.

ITEM	PART NO.	1 2 3 4 5	DESCRIPTION	QTY.
32				
33				
34	70098G01		KICK-OFF CAM PIVOT	1
35	10097G6		FLANGED BEARING	2
36	70587G01		KICK-OFF CAM.....	1
37	71215G01		SETSCREW, 1/4 - 20 X 1/2" LG.....	2
38	14134G4		SPACER	1
39				
40				
41	70113G01		ADJUSTABLE BUMPER	1
42	11027G1		LOCK NUT, 5/16 - 18.....	1
43				
44				
45				
46	70080G02		CATCH BRACKET.....	1
47	00414G6		BOLT, 1/4 - 20 X 3/4" LG	2
48	14390G4		STAINLESS STEEL LOCK NUT, 1/4 - 20.....	2
49				
50				
51				
52				
53	70690G02		BRAKE PEDAL ASSEMBLY (WITH BRAKE LIGHTS) (INCLUDES ITEMS 54 - 80).....	1
54	652791G03		BRAKE PEDAL	1
55	652253G03		PARK BRAKE PEDAL.....	1
56				
57	70257G01		SERVICE BRAKE PAD	1
58	70256G01		PARK BRAKE PAD	1
59	16409G1		OVAL RIVET, 3/16" x 7/16" LG.....	9
60				
61	652820		BRAKE PEDAL PLATE	1
62	70682G01		PIVOT PIN	1

BRAKES - MECHANICAL

When ordering parts, please specify the model and serial number of the product.

* Indicates a component that is not available as an individual part.

*** Indicates consult Customer Service Department for additional information.

ITEM	PART NO.	1 2 3 4 5	DESCRIPTION	QTY.
63	70681G01		TORSION SPRING.....	2
64	658825		PUSHNUT, 5/16"	1
65	00737G8		SCREW, #10 - 24 X 7/8" LG	4
66	00739G1		RUBBER NUT, #10 - 24	2
67	652355		BRAKE PEDAL SPACER	2
68	27137G01		CONICAL SPRING	2
69	14390G10		LOCK NUT, #10 - 24.....	2
70	10606G8		MICRO SWITCH	1
71	00645G2		BOLT, #6 - 32 X 1 1/4" LG	2
72	00559G5		FLAT WASHER, #10	2
73	00559G3		LOCK WASHER, #6	4
74	00565G3		LOCK WASHER, #6	2
75	00525G5		NUT, #6 - 32	2
76	13514G1		SCREW AND LOCK WASHER, #6	2
77	00642G8		FLAT WASHER - 5/16"	2
78	14628G1		FASTON TAB.....	2
79	24605G1		WIRE HARNESS (BRAKE LIGHT).....	1
80	17618G1		WIRE TIE.....	4
81				
82	612211		BRAKE ASSEMBLY (DRIVER SIDE) (INCLUDES ITEMS 84 - 89, 92).....	1
83	612189		BRAKE ASSEMBLY (PASSENGER SIDE) (INCLUDES ITEMS 84 - 89, 93)	1
84	612411		BRAKE SHOE L	2
85	612412		BRAKE SHOE T	2
86	612413		DUST COVER	2
87	612415		BRAKE SPRING.....	1
88	612414		BRAKE SPRING.....	1
89	612416		SHOE CLAMP	2
90				
91				
92	612418		GEAR ADJUSTER.....	1

BRAKES - MECHANICAL

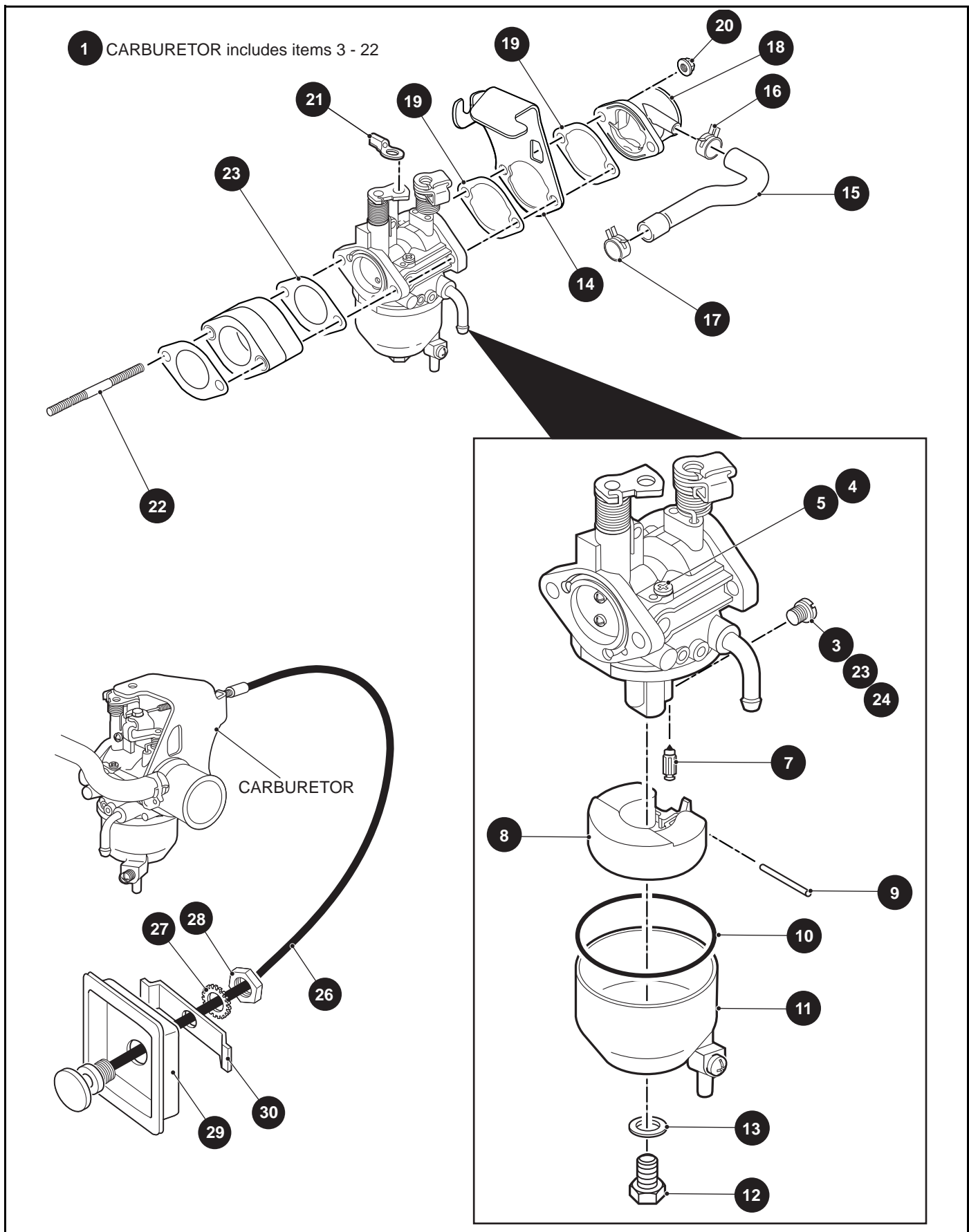
When ordering parts, please specify the model and serial number of the product.

* Indicates a component that is not available as an individual part.

*** Indicates consult Customer Service Department for additional information.

ITEM	PART NO.	1	2	3	4	5	DESCRIPTION	QTY.
93	612417						GEAR ADJUSTER	1
94								
95								
96	17083G2						BOLT, 5/16 - 24 X 1" LG	8
97	15126G1						LOCK NUT, 5/16 - 24.....	8
98	21809G1						INNER BRAKE DRUM WASHER, 1 5/16" OD X 1" ID X 1/32"	2
99								
100	21807G2						BRAKE DRUM ASSEMBLY (INCLUDES ITEMS 101 - 102).....	2
101	*						BRAKE DRUM	1
102	19862G2						LUG BOLT, 1/2 - 20 X 1 3/16" LG	4
103								
104								
105	606945						OUTER BRAKE DRUM WASHER	2
106	606403						SLOTTED NUT, M22 X 1.5.....	2
107	10387G1						COTTER PIN, 1/8" X 1 1/2" LG	2
108	74175G01						SPINDLE CAP.....	2
109								
110	652248						BRAKE CABLE BRACKET (PASSENGER SIDE).....	1
111	652249						BRAKE CABLE BRACKET (DRIVER SIDE)	1

CARBURETOR AND CHOKE



CARBURETOR AND CHOKE

When ordering parts, please specify the model and serial number of the product.

* Indicates a component that is not available as an individual part.

*** Indicates consult Customer Service Department for additional information.

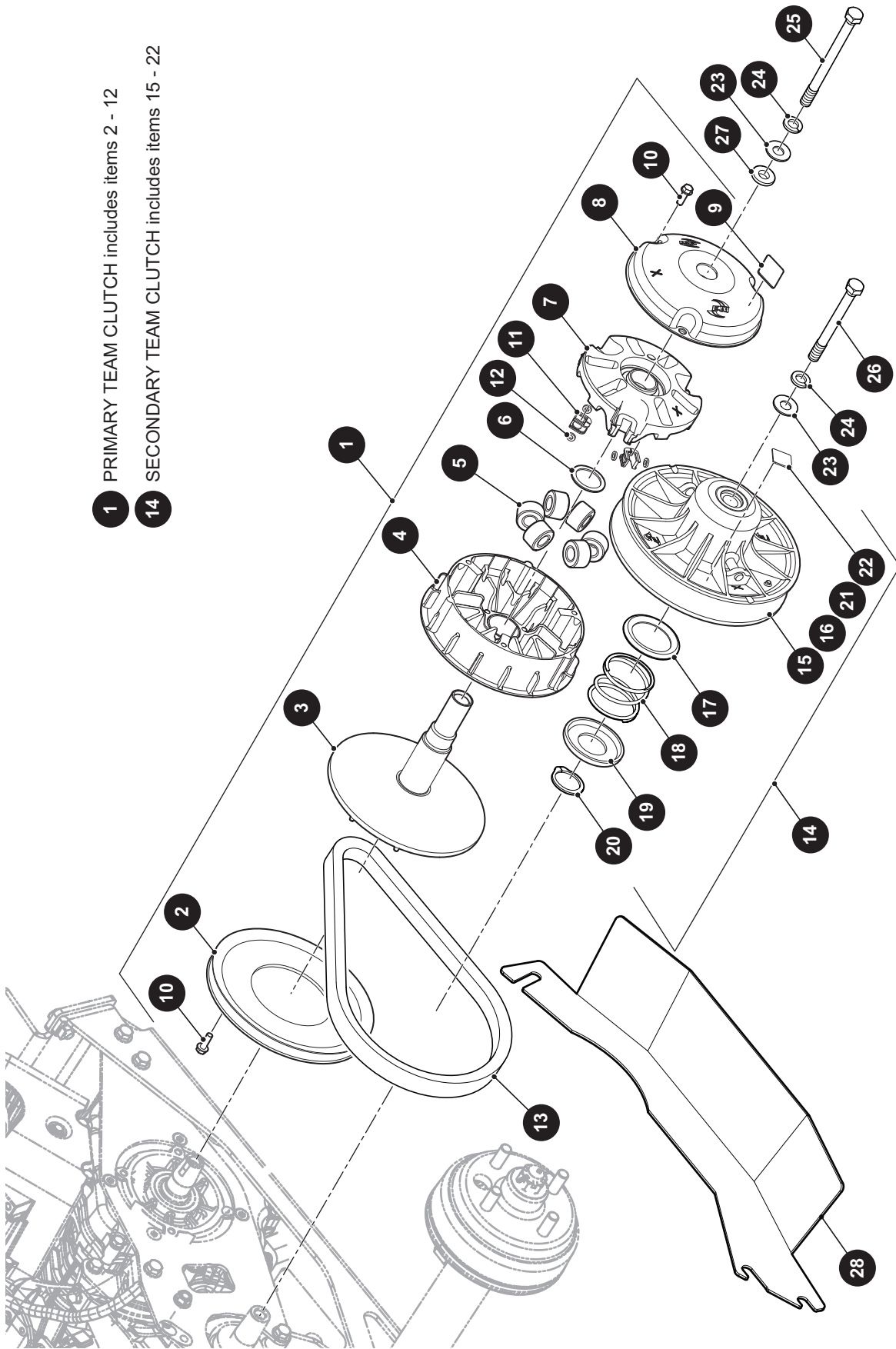
ITEM	PART NO.	1 2 3 4 5	DESCRIPTION	QTY.
1	607955		CARBURETOR (INCLUDES ITEMS 3 - 22)	1
2				
3	607956		MAIN JET (#106).....	1
4	607957		PILOT JET (#52)	1
5	603585		PLUG.....	1
6				
7	603586		NEEDLE VALVE	1
8	603587		FLOAT	1
9	603588		FLOAT PIN	1
10	603589		FLOAT BOWL GASKET	1
11	603590		FLOAT CHAMBER	1
12	603592		BOWL SCREW.....	1
13	603591		BOWL GASKET	1
14	603583		CHOKE BRACKET.....	1
15	603598		BREATHER TUBE.....	1
16	603596		CLAMP, INTAKE TUBE	1
17	603597		CLAMP CYLINDER HEAD TUBE	1
18	603594		INTAKE TUBE	1
19	603593		CHOKE GASKET	2
20	603595		NUT, M6 X 1.0	2
21	608023		THROTTLE ROD ATTACHMENT BUSHING	1
22	603584		STUD BOLT.....	2
23	607684		MAIN JET (#102) (FOR ELEVATIONS OF 6000 FT - 10000 FT)	1
24	607983		MAIN JET (#104) (FOR ELEVATIONS OF 3000 FT - 6000 FT)	1
25				
26	605868		CHOKE CABLE (SWB).....	1
27	00568G4		LOCK WASHER, 9/16"	1
28	00545G4		JAM NUT, 9/16 - 18.....	1
29	72155G01		RETAINER	1
30	72154G01		CHOKE CABLE ADAPTER.....	1

Notes:

A large grid of graph paper consisting of 20 columns and 28 rows of small squares, intended for handwritten notes.

CLUTCH

- 1 PRIMARY TEAM CLUTCH includes items 2 - 12
- 14 SECONDARY TEAM CLUTCH includes items 15 - 22



When ordering parts, please specify the model and serial number of the product.

* Indicates a component that is not available as an individual part.

*** Indicates consult Customer Service Department for additional information.

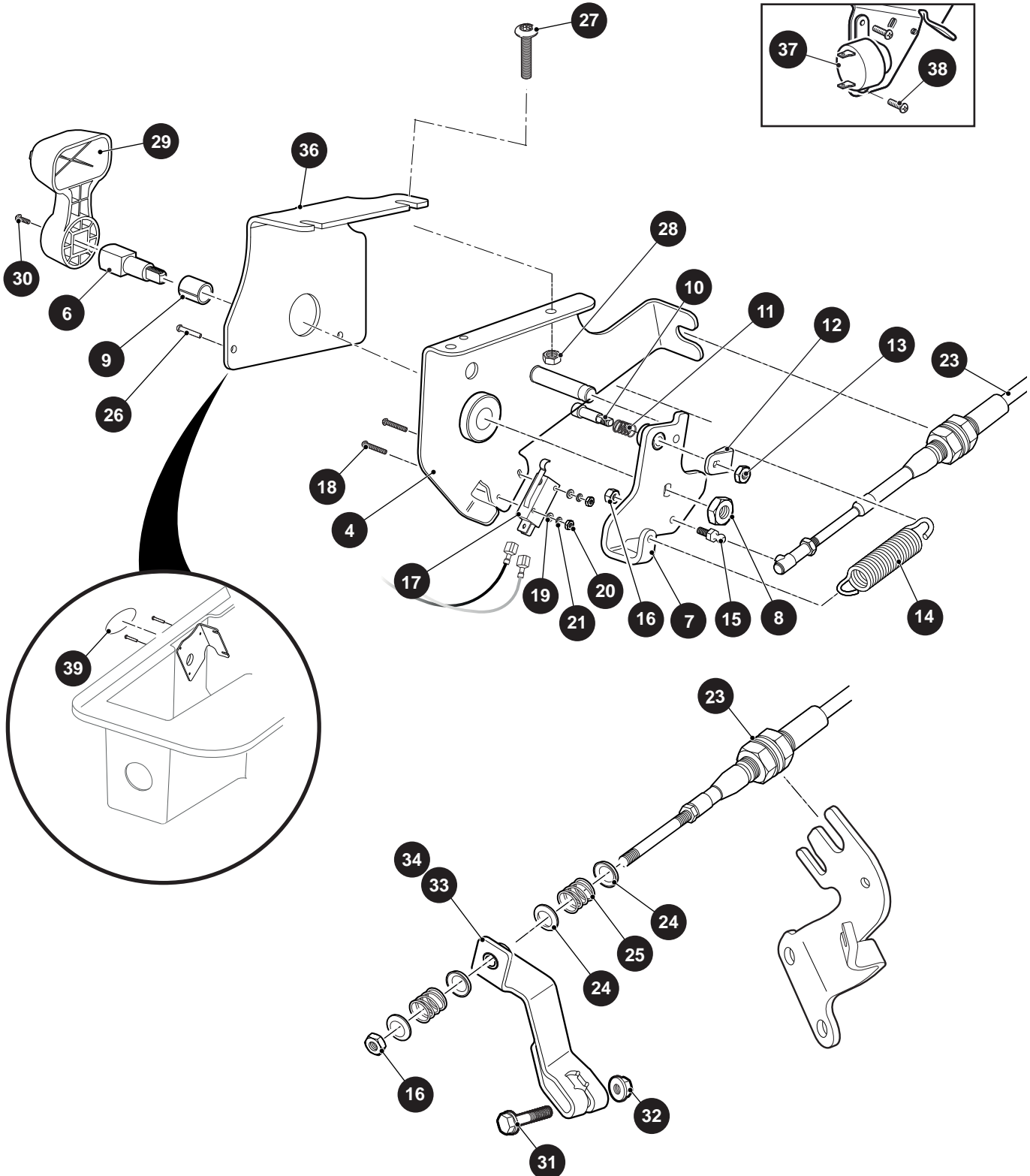
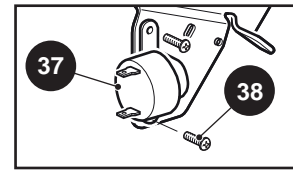
ITEM	PART NO.	1 2 3 4 5	DESCRIPTION	QTY.
1	672688		PRIMARY TEAM CLUTCH (INCLUDES ITEMS 2 - 12).....	1
2	619333		PRIMARY STARTER PULLY, 195 - SVC.....	1
3	*		STATIONARY ASSEMBLY	1
4	*		MOVEABLE PRIMARY ASSEMBLY.....	1
5	624112		SHIFT ROLLER ASSEMBLY	6
6	619337		SHIM, 39 5MM X 31 75MM	1
7	644303		PRIMARY SPIDER ASSEMBLY	1
8	*		PRIMARY DUST COVER ASSEMBLY	1
9	*		E-Z-GO PRIMARY LABEL.....	1
10	619332		HEX WASHER HEAD BOLT, 1/4" - 20 X 3/4" LG	7
11	644305		BUTTON, TORQUE PRIMARY	6
12	644306		PLUG, TORQUE PRIMARY	6
13	618630		DRIVE BELT	1
14	623949		SECONDARY TEAM CLUTCH (INCLUDES ITEMS 15 - 22)	1
15	*		SECONDARY STATIONARY, 9.5	1
16	*		MOVEABLE SECONDARY, 9.5.....	1
17	619327		INNER RETAINER SPRING.....	1
18	624111		COMPRESSION SPRING, 2.7" O.D	1
19	619329		OUTER SPRING RETAINER	1
20	619330		RETAINER RING.....	1
21	619331		THRUST WASHER, 1 53" x 1 83" x 1"	1
22	*		SECONDARY PART E-Z-GO LOGO.....	1
23	606239		CONICAL WASHER, M12.....	2
24	00566G3		LOCK WASHER (SPRING TYPE), 3/8"	2
25	606245		HEX HEAD BOLT, M12 - 1 25 X 160MM LG.....	1
26	606243		HEX HEAD BOLT, M12 - 1 25 X 120MM LG.....	1
27	606230		CLUTCH WASHER, 27 5MM O.D. X 13 06MM I.D.	1
28	605950		CLUTCH BELT SHIELD.....	1

DIRECTION SELECTOR

1 DIRECTION SELECTOR CABLE ASSEMBLY includes items 16, 23-26, 33 - 34

2 DIRECTION SELECTOR ASSEMBLY includes items 4, 6, 7-21, 23 - 33

Reverse Warning Buzzer



DIRECTION SELECTOR

When ordering parts, please specify the model and serial number of the product.

* Indicates a component that is not available as an individual part.

*** Indicates consult Customer Service Department for additional information.

ITEM	PART QTY	1 2 3 4 5	DESCRIPTION	TOTAL
1	608184		DIRECTION SELECTOR CABLE ASSEMBLY (INCLUDES ITEMS 16, 23-26, 33-34)	1
2	605999		DIRECTION SELECTOR ASSEMBLY (INCLUDES ITEMS 4, 6, 7-21, 23-33)....	1
3				
4	603627		DIRECTION SELECTOR BRACKET WITH BUSHING (INCLUDES ITEM 9)	1
5				
6	606266		DIRECTION SELECTOR SHAFT	1
7	603700		DIRECTION SELECTOR CAM.....	1
8	14390G1		LOCK NUT, 3/8 - 24.....	1
9	*		BUSHING	1
10	72724G01		NEUTRAL LOCK PIN	1
11	72733G01		COMPRESSION SPRING, 3/8" X 5/8" LG	1
12	72729G01		NEUTRAL LOCK BRACKET	1
13	00734G2		LOCK NUT, 1/4 - 28.....	1
14	28574G01		EXTENSION SPRING	1
15	72732G01		BALL STUD, 1/4"	1
16	00734G5		LOCK NUT, #10 - 32.....	1
17	72736G01		MICRO SWITCH	1
18	01062G01		SCREW, #4 - 40 X 1" LG	2
19	00559G1		FLAT WASHER, #4	2
20	00565G1		LOCK WASHER, #4	2
21	00526G2		NUT, #4 - 40	2
22				
23	605809		PUSH / PULL SHIFTER CABLE	1
24	25727G01		CUP WASHER, 1/4"	4
25	72735G01		COMPRESSION SPRING, 19/32" X 1" LG	2
26	71055G01		RIVET, 3/16" x .38 GRIP	3
27	70227G01		SCREW, 1/4 - 20 X 7/8" LG	2
28	11027G2		LOCK NUT, 1/4 - 20	2
29	71205G01		DIRECTION SELECTOR HANDLE	1
30	00740G4		SCREW, #10 - 32 X 1/2" LG (STAINLESS STEEL).....	1

DIRECTION SELECTOR

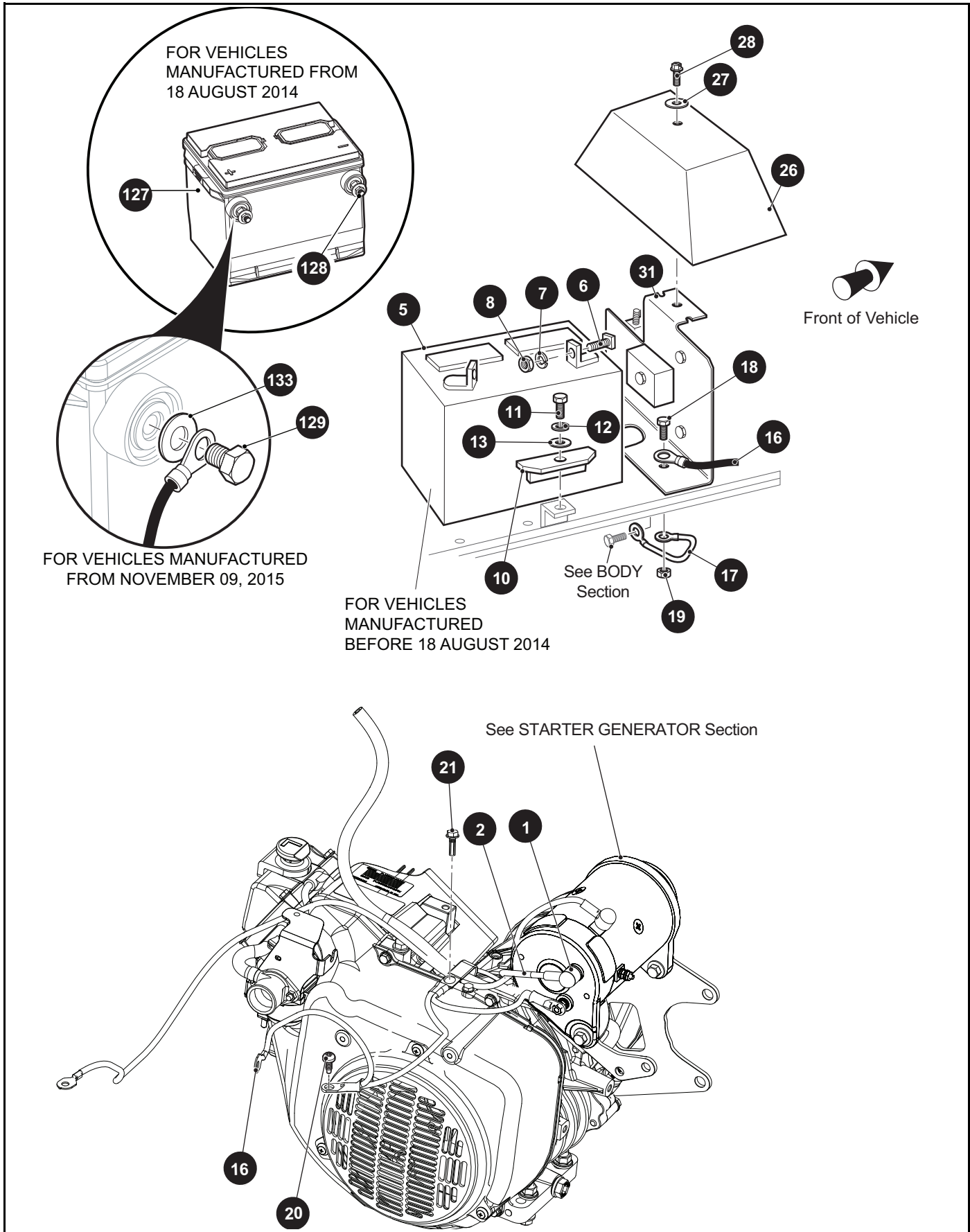
When ordering parts, please specify the model and serial number of the product.

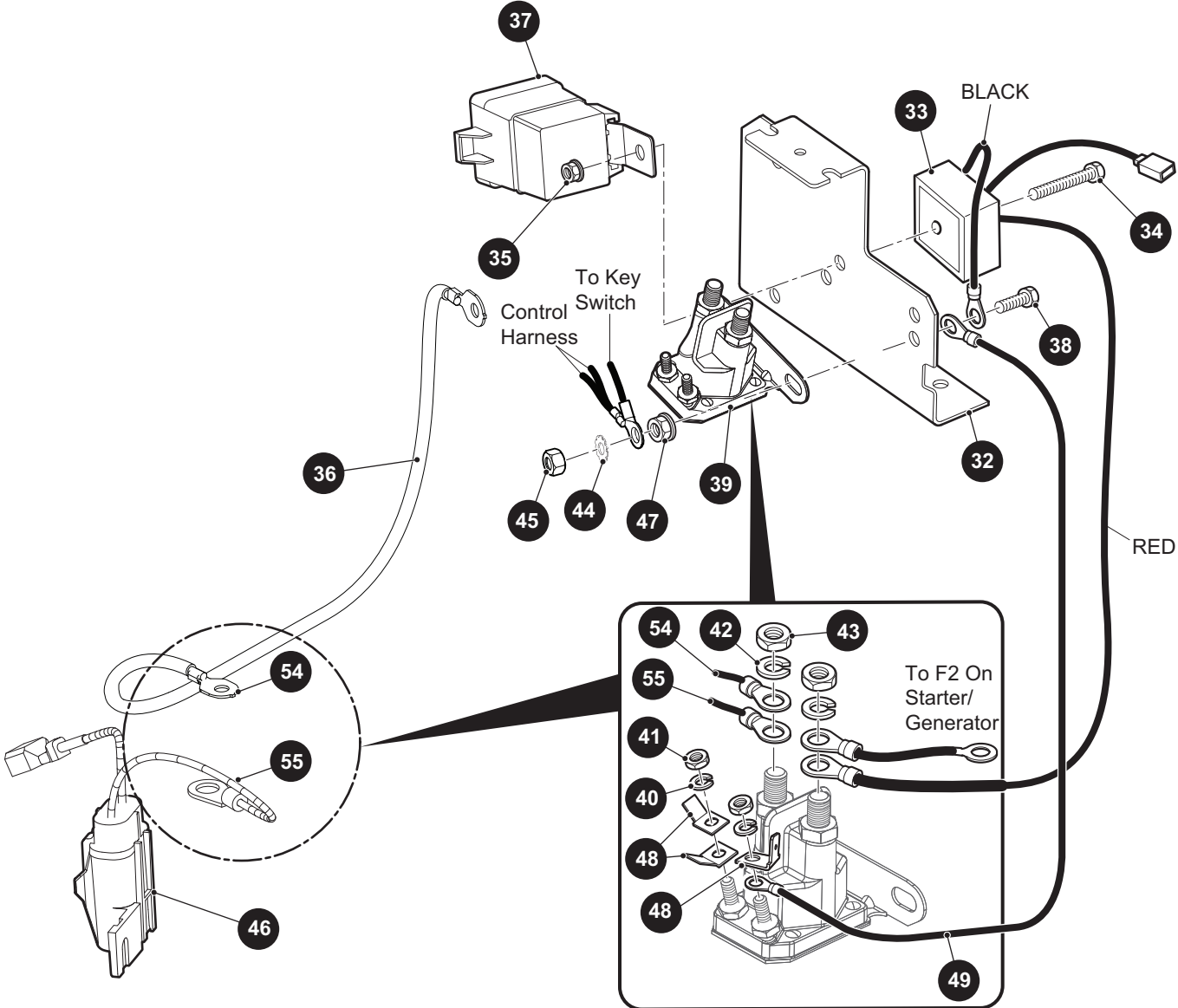
* Indicates a component that is not available as an individual part.

*** Indicates consult Customer Service Department for additional information.

ITEM	PART QN	1 2 3 4 5	DESCRIPTION	QTY.
31	606421		BOLT, M6 - 1.00 X 30	1
32	450452		NUT, M6 - 1.00	1
33	606014		BRACKET	1
34	*		BUSHING, FLIP LOK, 0.25	1
35				
36	605869		MOUNTING BRACKET	1
37	73290G03		REVERSE WARNING BUZZER.....	1
38	01063G01		SCREW, #6 - 32 X 3/8" LG.....	2
39	73317G01		DECAL - FNR - EUROPEAN.....	1

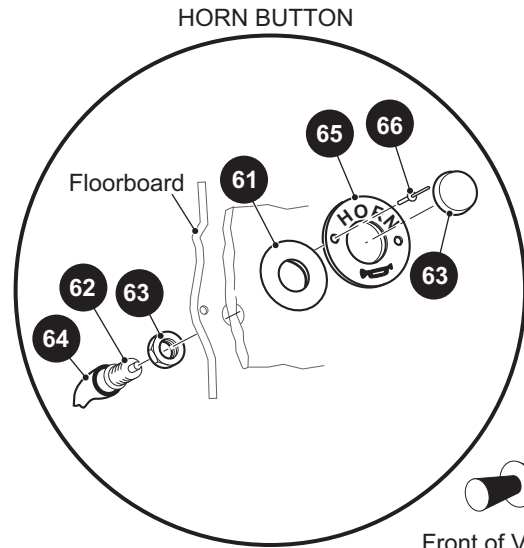
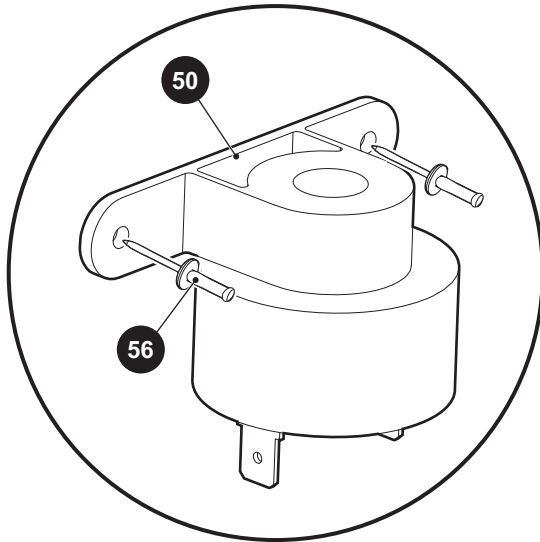
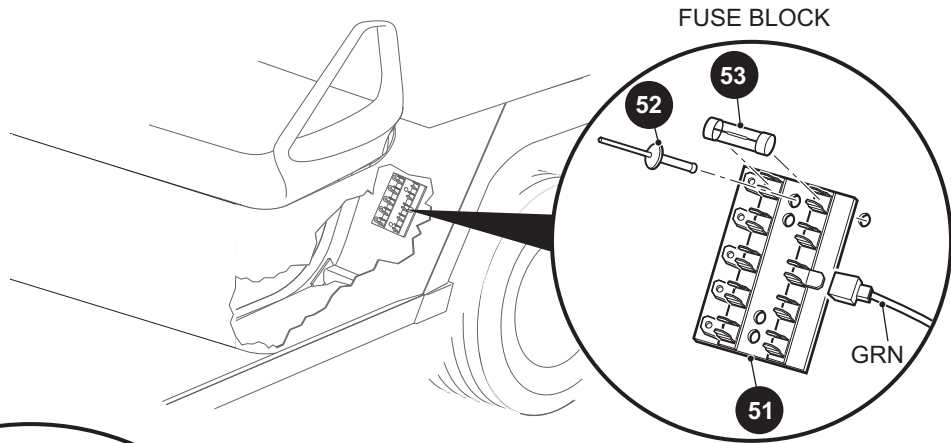
ELECTRICAL SYSTEM



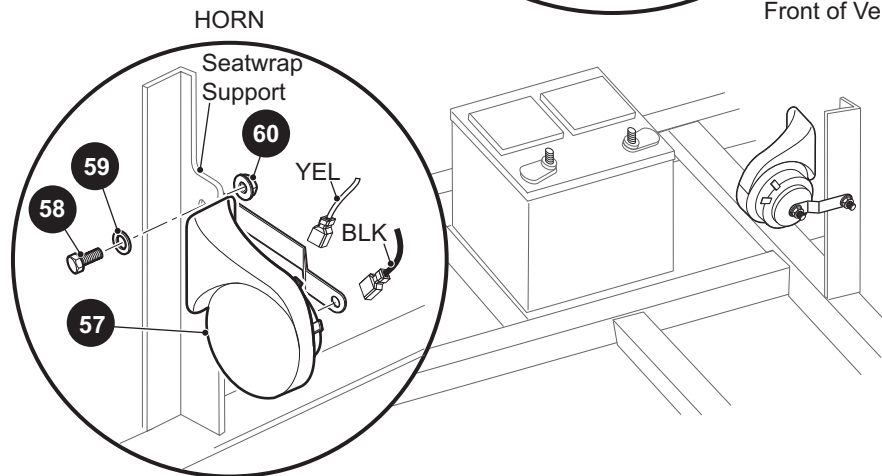


31 ELECTRICAL PLATE ASSEMBLY includes items 32 - 43 and 46 - 49

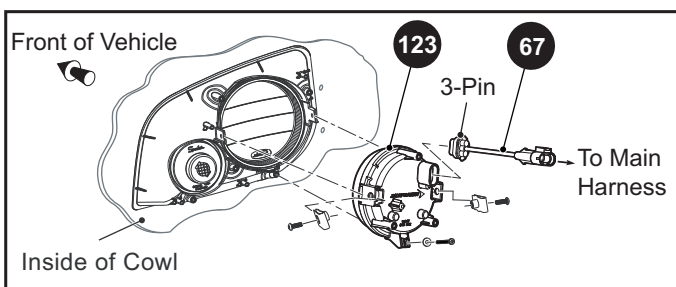
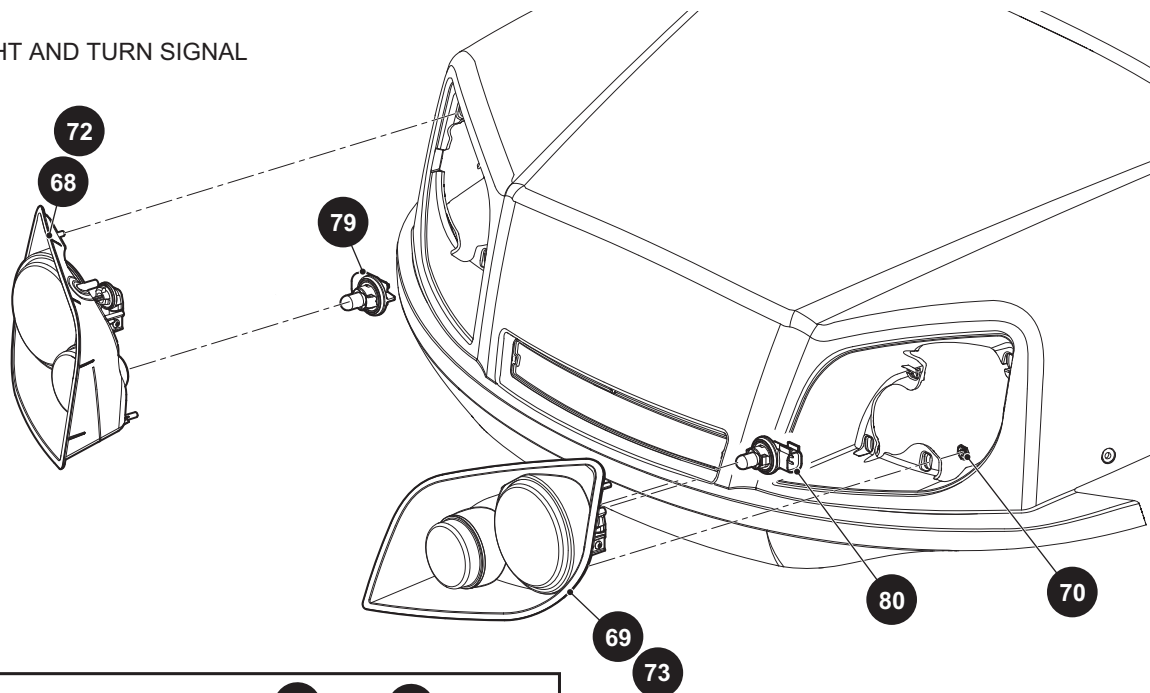
ELECTRICAL SYSTEM



Front of Vehicle

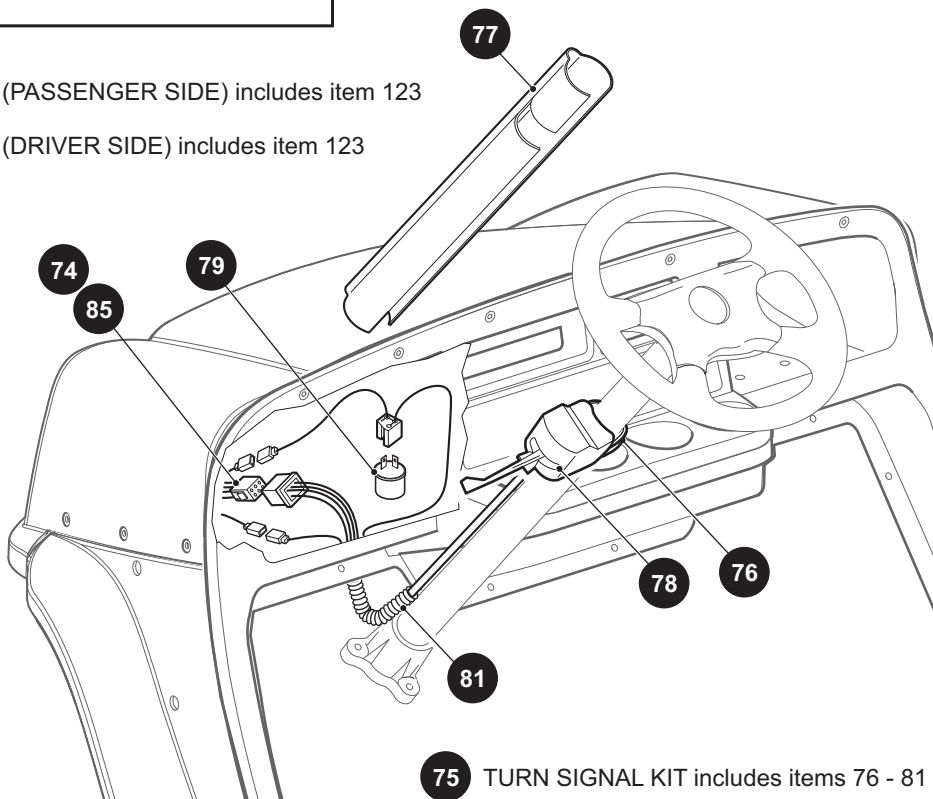


HEAD LIGHT AND TURN SIGNAL



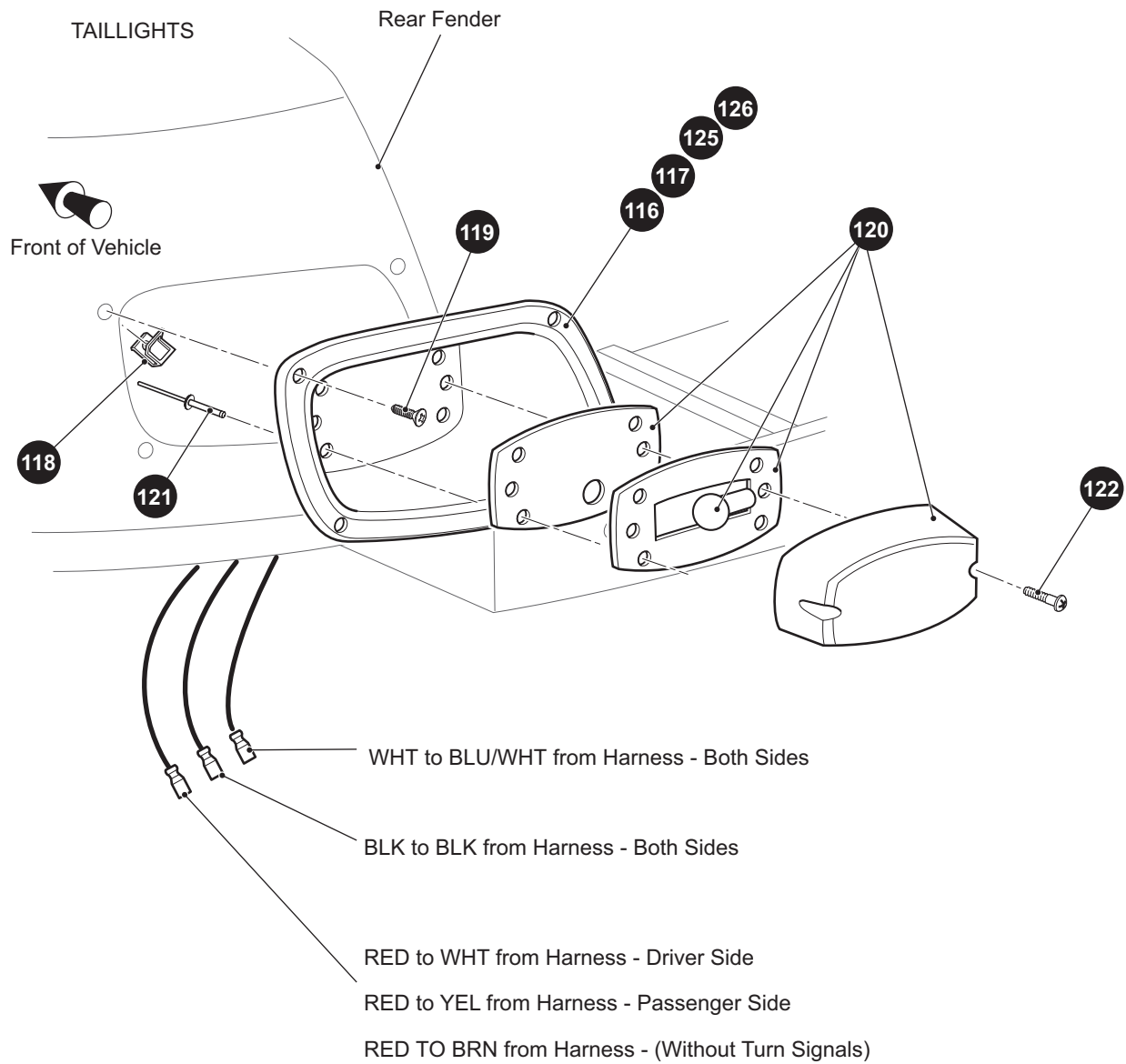
72 LED HEADLIGHT ASSEMBLY (PASSENGER SIDE) includes item 123

73 LED HEADLIGHT ASSEMBLY (DRIVER SIDE) includes item 123

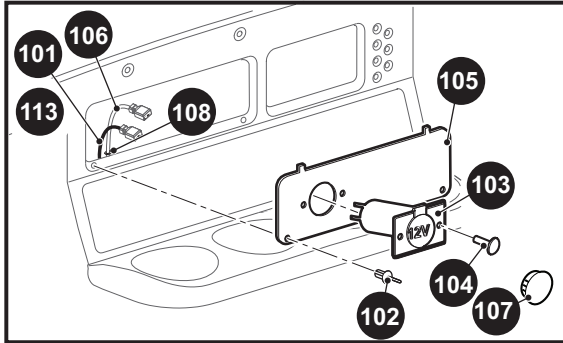


75 TURN SIGNAL KIT includes items 76 - 81

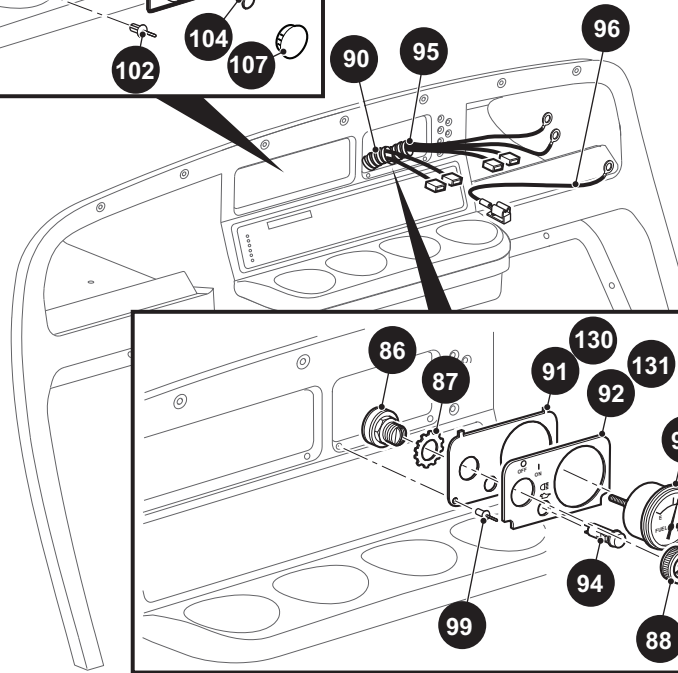
ELECTRICAL SYSTEM



CONSOLE INSERT PLATE (WITH POWER OUTLET SHOWN)

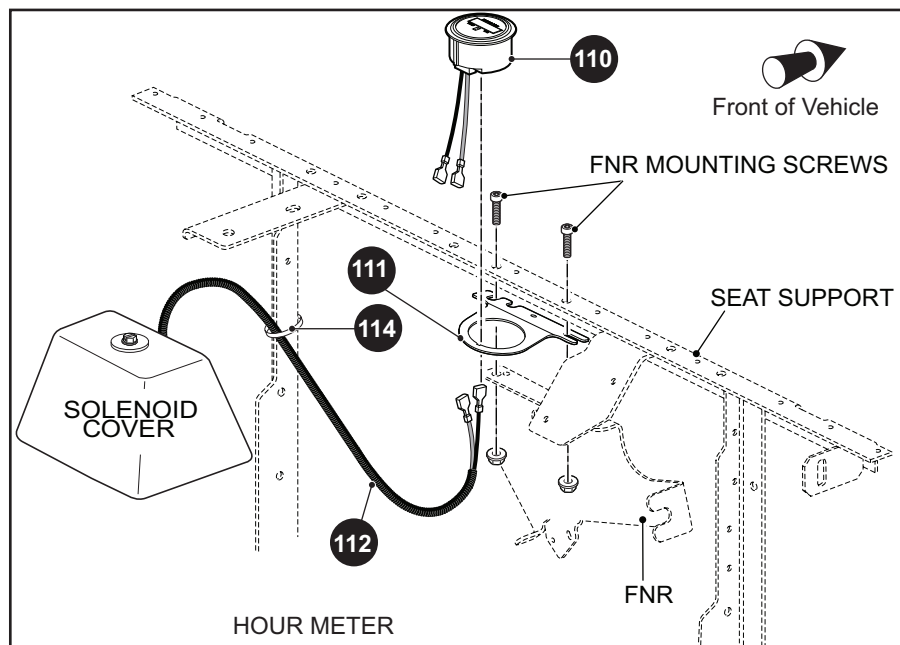


- 97 POWER OUTLET 12V includes items 101 - 106, 108, 113
- 98 ASSY, CONSOLE INSERT includes items 105, 107
- 100 POWER OUTLET 12V includes items 101 - 106, 113



KEY SWITCH, INDICATOR LIGHT(S), AND FUEL GAUGE

- 109 HOUR METER KIT includes items 110 - 111



ELECTRICAL SYSTEM

When ordering parts, please specify the model and serial number of the product.

* Indicates a component that is not available as an individual part.

*** Indicates consult Customer Service Department for additional information.

ITEM	PART NO.	1 2 3 4 5	DESCRIPTION	QTY.
1	607053		6 GA WIRE (BLACK 6", F1 - A2)	1
2	25682G01		TERMINAL COVER.....	3
3				
4				
5	24775G1		BATTERY, 12V (FOR VEHICLES MANUFACTURED BEFORE 18 AUGUST 2014)	1
6	*		HEX HEAD BOLT, 5/16" - 18 X 1 1/4" LG	2
7	*		LOCK WASHER (SILICON BRONZE), 5/16".....	2
8	*		HEX NUT (SILICON BRONZE), 5/16" - 18	2
9				
10	72101G02		BATTERY HOLD DOWN	1
11	00438G6		HEX HEAD BOLT, 5/16" - 18 X 3/4" LG.....	3
12	00565G8		LOCK WASHER, 5/16"	1
13	00571G2		FLAT WASHER (SS), 5/16"	1
14				
15				
16	27044G03		GROUND CABLE.....	1
17	25976G19		14 GA WIRE (BLACK 6").....	1
18	00438G6		HEX HEAD BOLT, 5/16" - 18 X 3/4" LG.....	2
19	11027G1		LOCK NUT, 5/16" - 18	2
20	26676G01		FLANGED BOLT, M6 - 1 X 23 MM LG	1
21	606264		HEX HEAD BOLT, M6 - 1 X 20 MM LG	1
22				
23				
24	605777		WIRE HARNESS (CONTROL).....	1
25	17618G1		WIRE TIE (NOT ILLUSTRATED).....	A/R
26	73049G01		COVER (DIRECTION SELECTOR)	1
27	16469G1		FENDER WASHER, 1/4"	1
28	00114G6		HEX HEAD BOLT, 1/4" - 14 X 3/4" LG.....	1
29				
30				

ELECTRICAL SYSTEM

When ordering parts, please specify the model and serial number of the product.

* Indicates a component that is not available as an individual part.

*** Indicates consult Customer Service Department for additional information.

ITEM	PART NO.	1 2 3 4 5	DESCRIPTION	QTY.
31	605563		ELECTRICAL PLATE ASSY (INCLUDES ITEMS 32 - 43 & 46 - 49)	1
32	73057G02		BRACKET	1
33	27739G01		VOLTAGE REGULATOR	1
34	303459		HEX HEAD BOLT, 1/4" - 20 X 1 1/2" LG.....	1
35	11027G2		LOCK NUT, 1/4" - 20	1
36	645190		WIRE ASSEMBLY 6 AWG	1
37	603282		RELAY	1
38	00661G8		HEX HEAD BOLT, 1/4" - 20 X 1" LG.....	1
39	612813		SOLENOID	1
40	*		LOCK WASHER, #10.....	2
41	*		HEX NUT, #10 - 32.....	2
42	*		LOCK WASHER, 5/16"	2
43	*		HEX NUT, 5/16" - 24	2
44	00567G7		LOCK WASHER (EXTERNAL TOOTH TYPE), 1/4"	1
45	00532G1		HEX NUT, 1/4" - 20	1
46	600418G01		FUSE HOLDER ASSEMBLY	1
47	11027G2		LOCK NUT, 1/4" - 20	1
48	73446G01		FASTON TAB, 90°	3
49	25978G56		18 GA WIRE (BLACK 5 3/4").....	1
50	73290G03		CONTINUOUS POTTED TONE BUZZER	1
51	22674G1		FUSE BLOCK	1
52	01041G01		BULBEX RIVET, 5/32" DIA.....	2
53	18392G1		15 AMP FUSE	3
54	645190		#6 GA WIRE ASSEMBLY	1
55	20216G1		16 GA WIRE (RED).....	1
56	01041G01		BULBEX RIVET	2
57	32860G1		HORN.....	1
58	00414G5		HEX HEAD BOLT, 1/4" - 20 X 5/8" LG	1
59	00559G7		FLAT WASHER (SS), 1/4".....	1
60	14390G4		LOCK NUT, 1/4" - 20	1
61	608397		HORN PLATE	1

ELECTRICAL SYSTEM

When ordering parts, please specify the model and serial number of the product.

* Indicates a component that is not available as an individual part.

*** Indicates consult Customer Service Department for additional information.

ITEM	PART NO.	1	2	3	4	5	DESCRIPTION	QTY.
62	17318G1						HORN SWITCH.....	1
63	17318G2						SWITCH CAP AND NUT (HORN)	1
64	27068G01						SWITCH BOOT (HORN)	1
65	19233G1						SWITCH LABEL (HORN)	1
66	71055G01						RIVET (ALUMINUM), 3/16" X 1".....	2
67	654465						JUMPER HARNESS, LED HEADLIGHT	2
68	614497						HEADLIGHT ASSEMBLY (PASSENGER SIDE)	1
69	614501						HEADLIGHT ASSEMBLY (DRIVER SIDE).....	1
70	71597G01						SELFTHRADING NUT	8
71	71781G02						VINYL TAPE	2
72	659008						LED HEADLIGHT ASSEMBLY (PASSENGER SIDE) (INCLUDES ITEM 123)	1
73	659009						LED HEADLIGHT ASSEMBLY (DRIVER SIDE) (INCLUDES ITEM 123).....	1
74	645200						WIRE HARNESS, LONG (ACCESSORY) (FOR VEHICLES MANUFACTURED FROM NOVEMBER 09, 2015)	1
75	622712						TURN SIGNAL KIT (INCLUDES ITEMS 76 - 81)	1
76	17618G1						NYLON CLAMP	2
77	20965G3						STEERING COLUMN COVER	1
78	611810						TURN SIGNAL SWITCH ASSEMBLY (INCLUDES ITEM 79).....	1
79	21640G1						TURN SIGNAL FLASHER	1
80	619102						TURN SIGNAL ASSEMBLY BULB.....	2
81	32307G3						FLEX ZIP LOOM	1
82	00439G1						HEX HEAD BOLT, 5/16" - 18 X 1 1/8" LG (NOT ILLUSTRATED)	1
83	75048G01						SPACER, .328" X .75" X .50" (NOT ILLUSTRATED)	1
84	11098G6						LOCK NUT, 5/16" - 18 (NOT ILLUSTRATED)	1
85	619092						WIRE HARNESS, LONG (ACCESSORY).....	1
86	33639G01						IGNITION SWITCH (WITH LIGHTS).....	1
87	00568G6						LOCK WASHER, 3/4"	1
88	17137G1						FACE NUT, 3/4" - 20.....	1
89	17063G1						IGNITION KEY	1
90	605866						WIRE HARNESS (KEY SWITCH)	1
91	73030G04						PLATE (FUEL GAUGE AND OIL LIGHT)	1
92	71131G01						LABEL (OIL LIGHT AND FUEL GAUGE WITH HEADLIGHTS)	1

ELECTRICAL SYSTEM

When ordering parts, please specify the model and serial number of the product.

* Indicates a component that is not available as an individual part.

*** Indicates consult Customer Service Department for additional information.

ITEM	PART NO.	1 2 3 4 5	DESCRIPTION	QTY.
93	21553G1		FUEL GAUGE	1
94	23474G1		INDICATOR LIGHT	1
95	74311G01		HARNES (OIL LIGHT/FUEL GAUGE)	1
96	25978G122		18 GA WIRE (RED 6")	1
97	612087		POWER OUTLET,12V (INCLUDES ITEMS 101 - 106, 108, 113).....	1
98	74693G02		CONSOLE INSERT ASSEMBLY (INCLUDES ITEMS 105, 107).....	1
99	33623G02		RIVET (BLACK)	2
100	612143		POWER OUTLET 12V (INCLUDES ITEMS 101 - 106, 113)	1
101	612107		WIRE HARNES, POWER OUTLET (12V)	1
102	33623G02		RIVET (BLACK), 3/16" X 3/8"	3
103	71078G01		POWER OUTLET, 12V	1
104	14601G10		RIVET (ALUMINUM), 5/32"	2
105	73522G03		CONSOLE PLATE (E-COAT)	1
106	35212G01		FUSE, 15A.....	1
107	20271G01		HOLE PLUG	1
108	17618G1		NYLON CLAMP	1
109	607284		HOUR METER KIT (INCLUDES ITEMS 110 - 111)	1
110	617074		HOUR METER	1
111	635649		HOUR METER BRACKET.....	1
112	664689		WIRE HARNES (HOUR METER).....	1
113	645201		WIRE HARNES, POWER OUTLET (12V) (FOR VEHICLES MANUFACTURED FROM NOVEMBER 09, 2015)	1
114	31539G1		NYLON CLAMP, 15.5"	A/R
115				
116	74371G01		BEZEL (DRIVER SIDE)	1
117	74371G02		BEZEL (PASSENGER SIDE).....	1
118	71364G02		'J' CLIP	8
119	71425G01		COUNTERSUNK SCREW, #8	8
120	22288G1		BRAKE/TAILLIGHT LAMP	2
121	14601G11		RIVET (ALUMINUM), 3/16" X 9/16"	4
122	00513G4		PAN HEAD PHILLIPS SCREW, #8 - 18 X 1 1/2" LG	4

ELECTRICAL SYSTEM

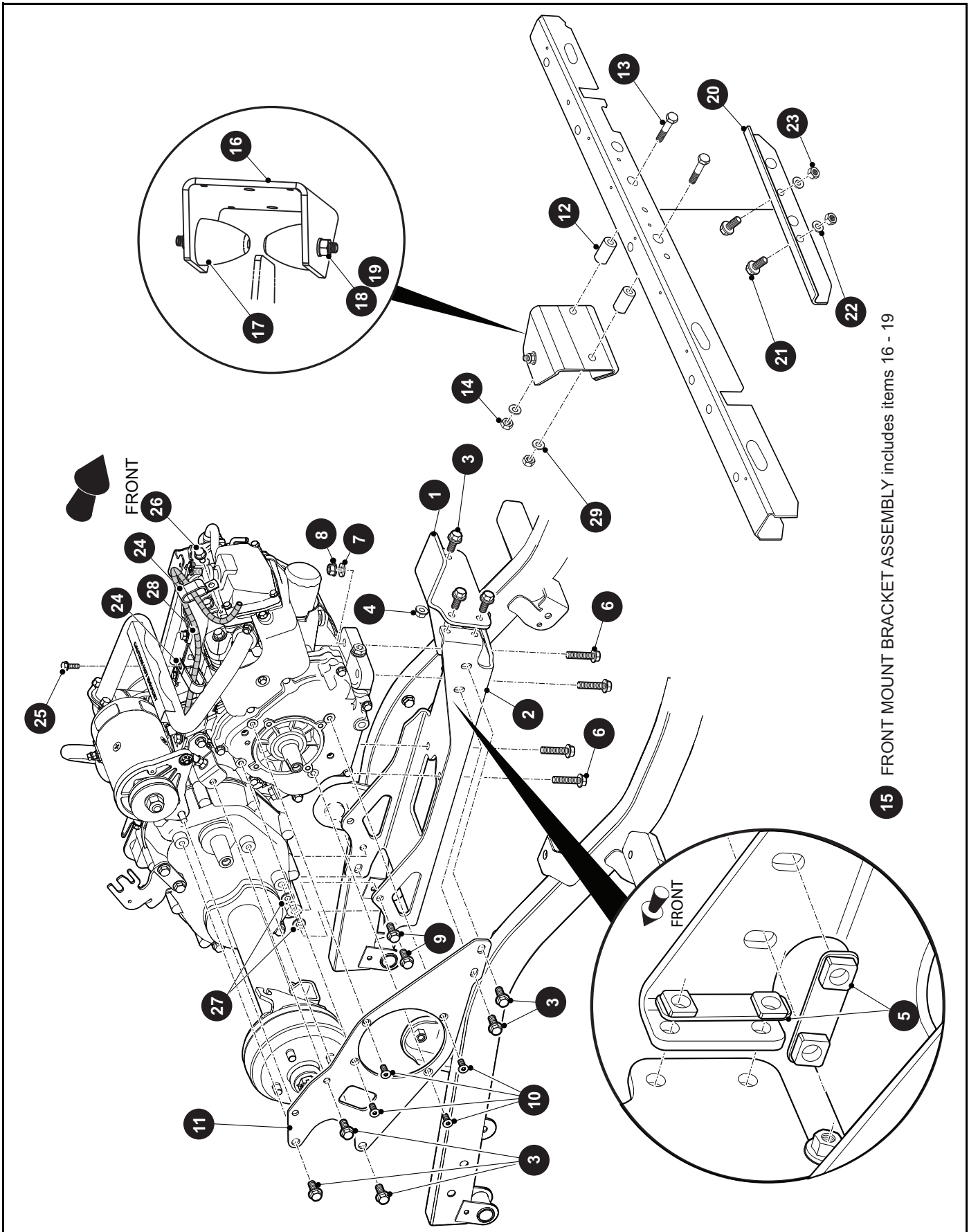
When ordering parts, please specify the model and serial number of the product.

* Indicates a component that is not available as an individual part.

*** Indicates consult Customer Service Department for additional information.

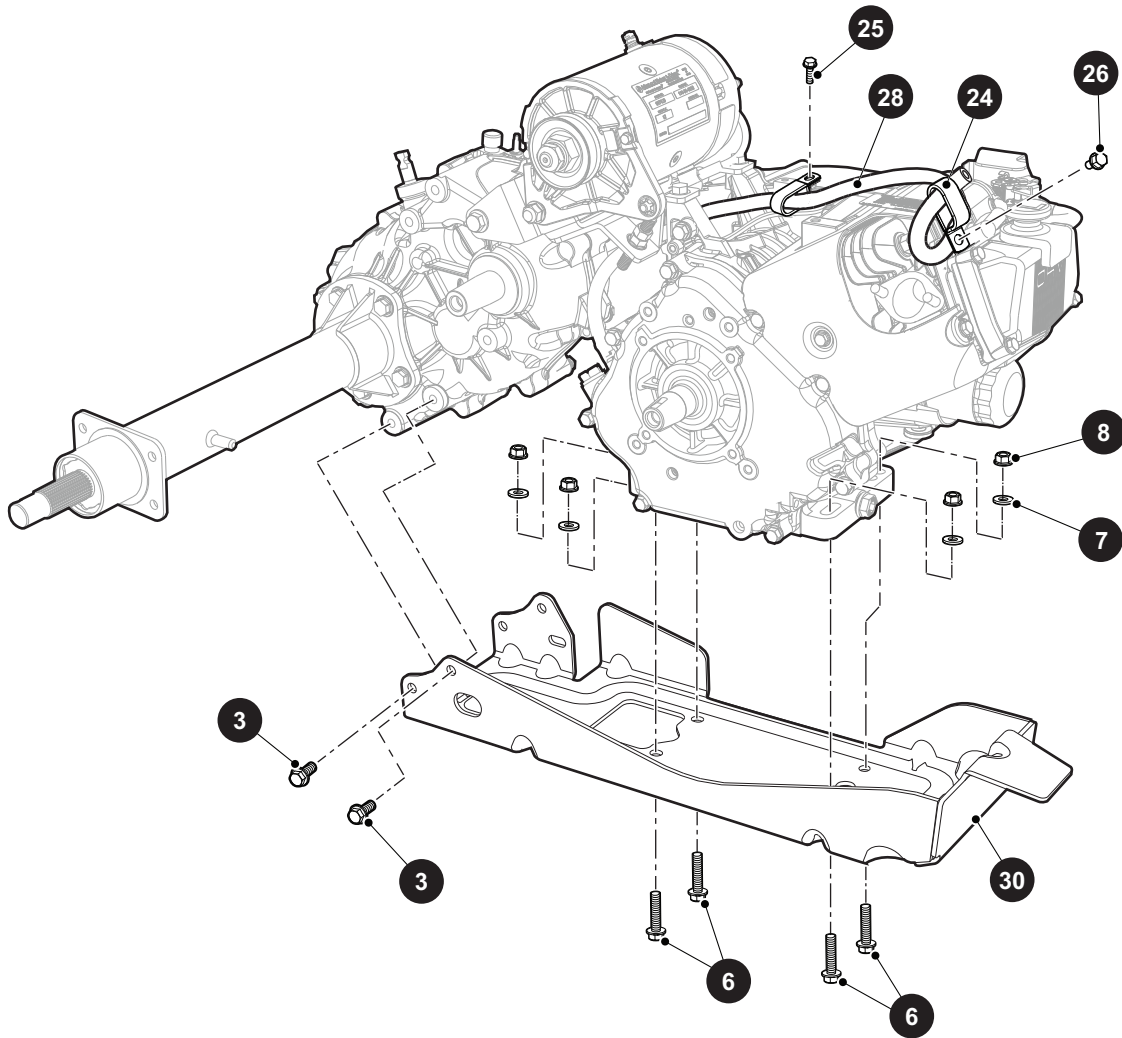
ITEM	PART NO.	1	2	3	4	5	DESCRIPTION	QTY.
123	651411G03						LED HEADLIGHT.....	1
124								
125	625251						BEZEL, TAILLIGHT (DRIVER SIDE) (FOR VEHICLES MANUFACTURED FROM MARCH 2014).....	1
126	625252						BEZEL, TAILLIGHT (PASSENGER SIDE) (FOR VEHICLES MANUFACTURED FROM MARCH 2014).....	1
127	637484						BATTERY, 12V (FOR VEHICLES MANUFACTURED FROM 18 AUGUST 2014).....	1
128	610428						BATTERY BOLT EXTENDER (FOR VEHICLES MANUFACTURED FROM 18 AUGUST 2014).....	2
129	651336						BATTERY BOLT (FOR VEHICLES MANUFACTURED FROM NOVEMBER 09, 2015)	2
130	73030G14						CONSOLE INSERT PLATE (FOR VEHICLES MANUFACTURED FROM NOVEMBER 09, 2015)	1
131	648247						FUEL LEVEL GAUGE (FOR VEHICLES MANUFACTURED FROM NOVEMBER 09, 2015)	1
132	648855						CONSOLE LABEL (FOR VEHICLES MANUFACTURED FROM NOVEMBER 09, 2015)	1
133	614221						FLAT WASHER, 3/8" (FOR VEHICLES MANUFACTURED FROM NOVEMBER 09, 2015).....	2

ENGINE MOUNTING



15 FRONT MOUNT BRACKET ASSEMBLY includes items 16 - 19

FOR VEHICLES MANUFACTURED FROM APRIL 2014



ENGINE MOUNTING

When ordering parts, please specify the model and serial number of the product.

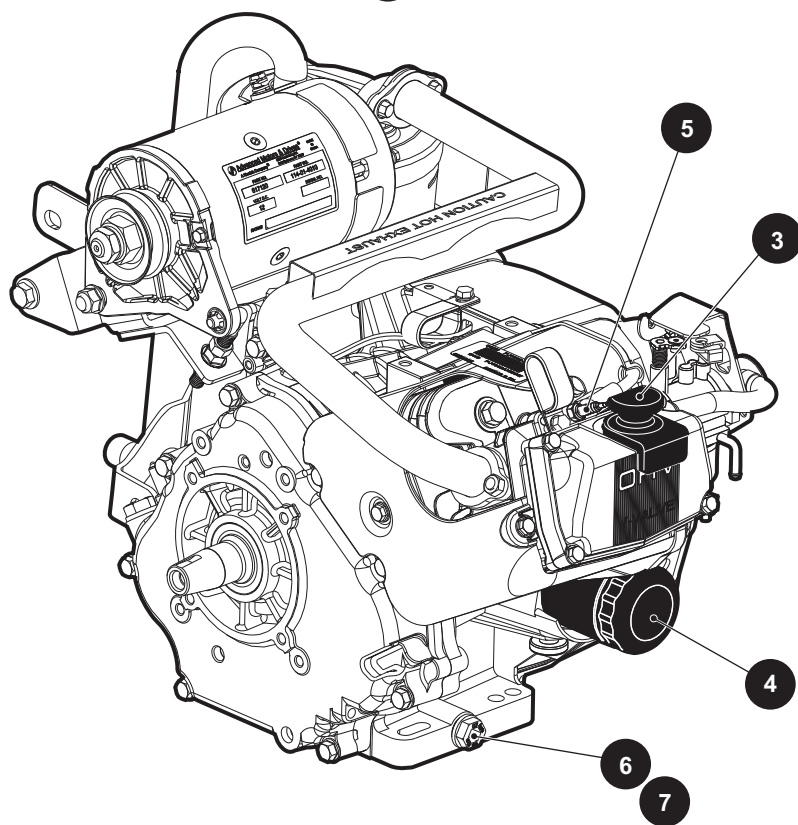
* Indicates a component that is not available as an individual part.

*** Indicates consult Customer Service Department for additional information.

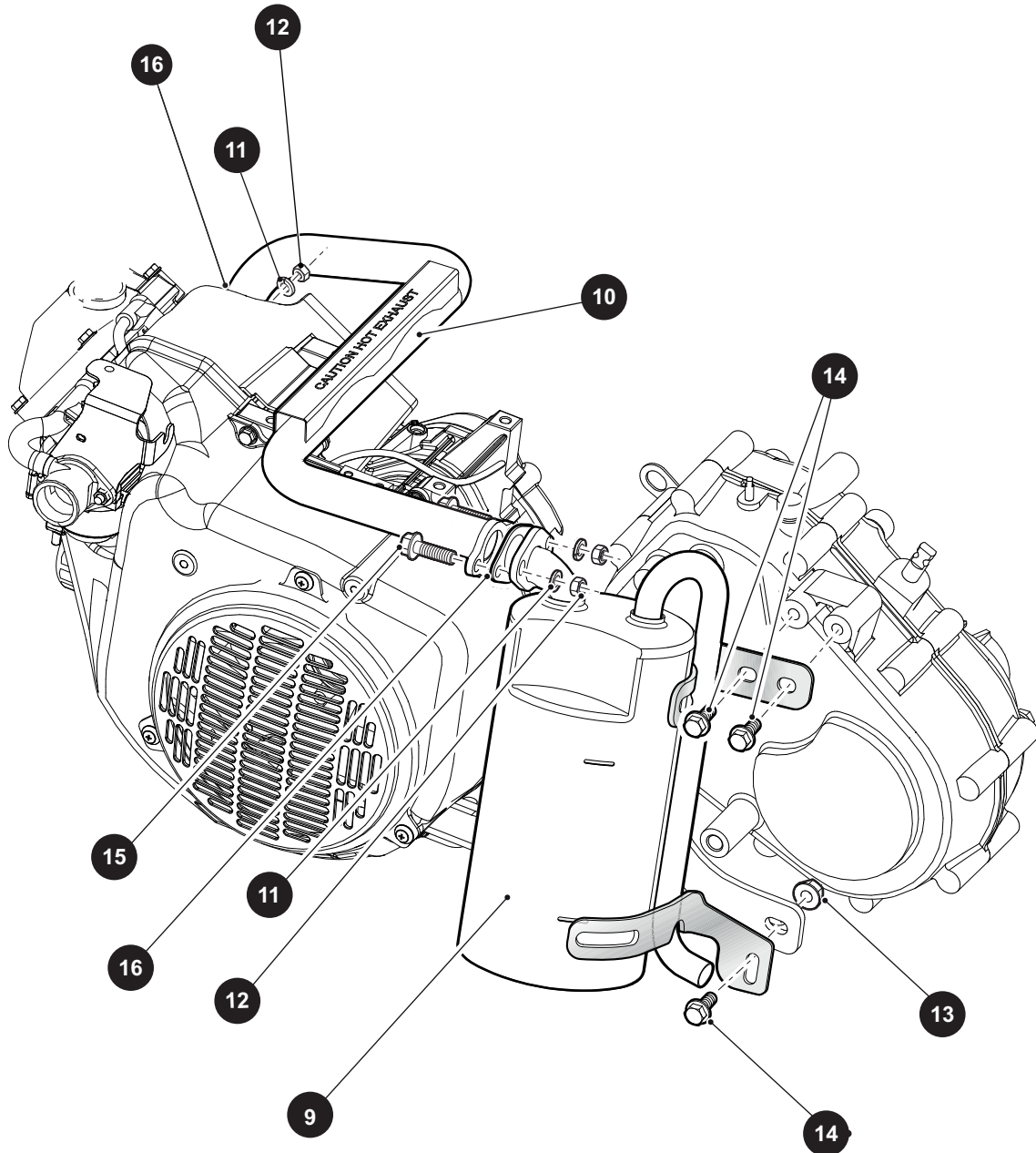
ITEM	PART NO.	1 2 3 4 5	DESCRIPTION	QTY.
1	606007		FRONT ENGINE MOUNT	1
2	603101		ENGINE PAN MOUNT.....	1
3	606256		HEX HEAD BOLT, M10 - 1.25 X 25MM LG	8
4	606279		HEX NUT, M10 - 1.25	1
5	606096		NUT PLATE	2
6	606259		HEX HEAD BOLT, M10 - 1.25 X 45MM LG	4
7	603823		FLAT WASHER, M10 X 22 - 2.5MM LG	4
8	606279		HEX NUT, M10 - 1.25	4
9	608020		HEX HEAD BOLT, M10 - 1.25 X 34MM LG	4
10	606246		FLAT HEAD SCREW, 5/16" X 4"	4
11	602146		DIFFERENTIAL PLATE	1
12	72016G01		TUBE SPACER	2
13	00428G8		HEX HEAD BOLT, 3/8" - 16, UNC X 2.75".....	2
14	11098G5		PLASTIC INSERT LOCK NUT, 3/8-16"	2
15	627627		FRONT MOUNT BRACKET ASSEMBLY (INCLUDES ITEMS 16 -19).....	1
16	625345		FRONT MOUNT BRACKET.....	1
17	605757		RUBBER BUMPER.....	2
18	00974G01		HEX NUT, M10 X 1.5	2
19	608654		SPLIT LOCK WASHER, 10MM.....	2
20	652247		CROSSMEMBER BRACE.....	1
21	00438G7		HEX HEAD SCREW, 5/16" - 18 UNC-2B	2
22	00559G8		FLAT WASHER, 5/16"	2
23	01109G01		PLASTIC INSERT LOCK NUT, 5/16" - 18 UNC-2B	2
24	606962		TUBE CLAMP, DBL - .72	2
25	606264		HEX HEAD BOLT, M6 - 1 X 20MM LG	1
26	73876G01		HEX HEAD BOLT, M6 - 1 X 12MM LG	1
27	00560G2		B TYPE NARROW FLAT WASHER, 7/16" X .25.....	2
28	27184G12		TUBE, (FUEL SYSTEM).....	1
29	00643G1		FLAT WASHER, 3/8" X 1 X .63" LG	2
30	630776		ENGINE PAN (FOR VEHICLES MANUFACTURED FROM APRIL 2014)	1

ENGINE AND MUFFLER

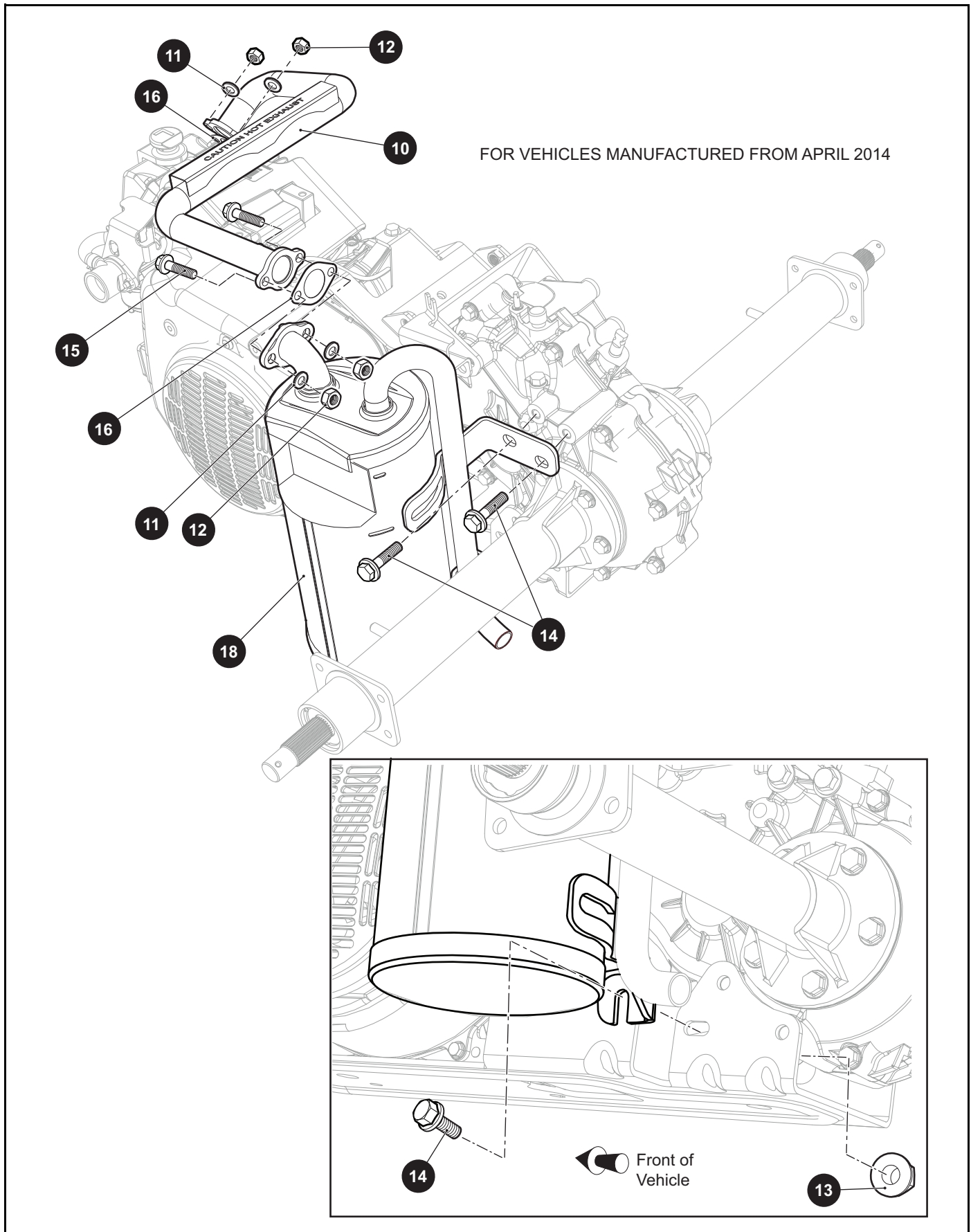
1 GAS ENGINE includes items 4 - 7



ENGINE AND MUFFLER



ENGINE AND MUFFLER



ENGINE AND MUFFLER

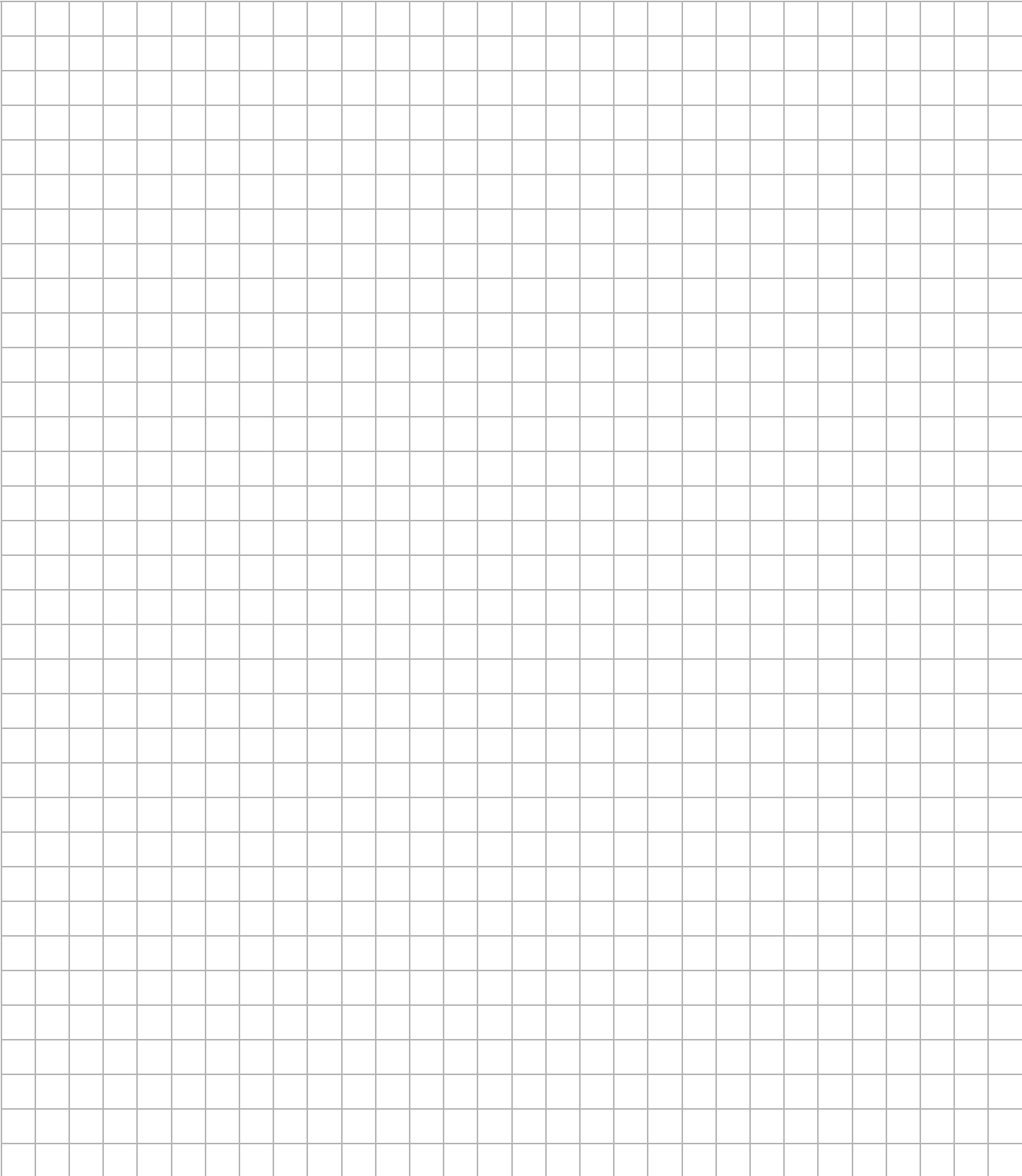
When ordering parts, please specify the model and serial number of the product.

* Indicates a component that is not available as an individual part.

*** Indicates consult Customer Service Department for additional information.

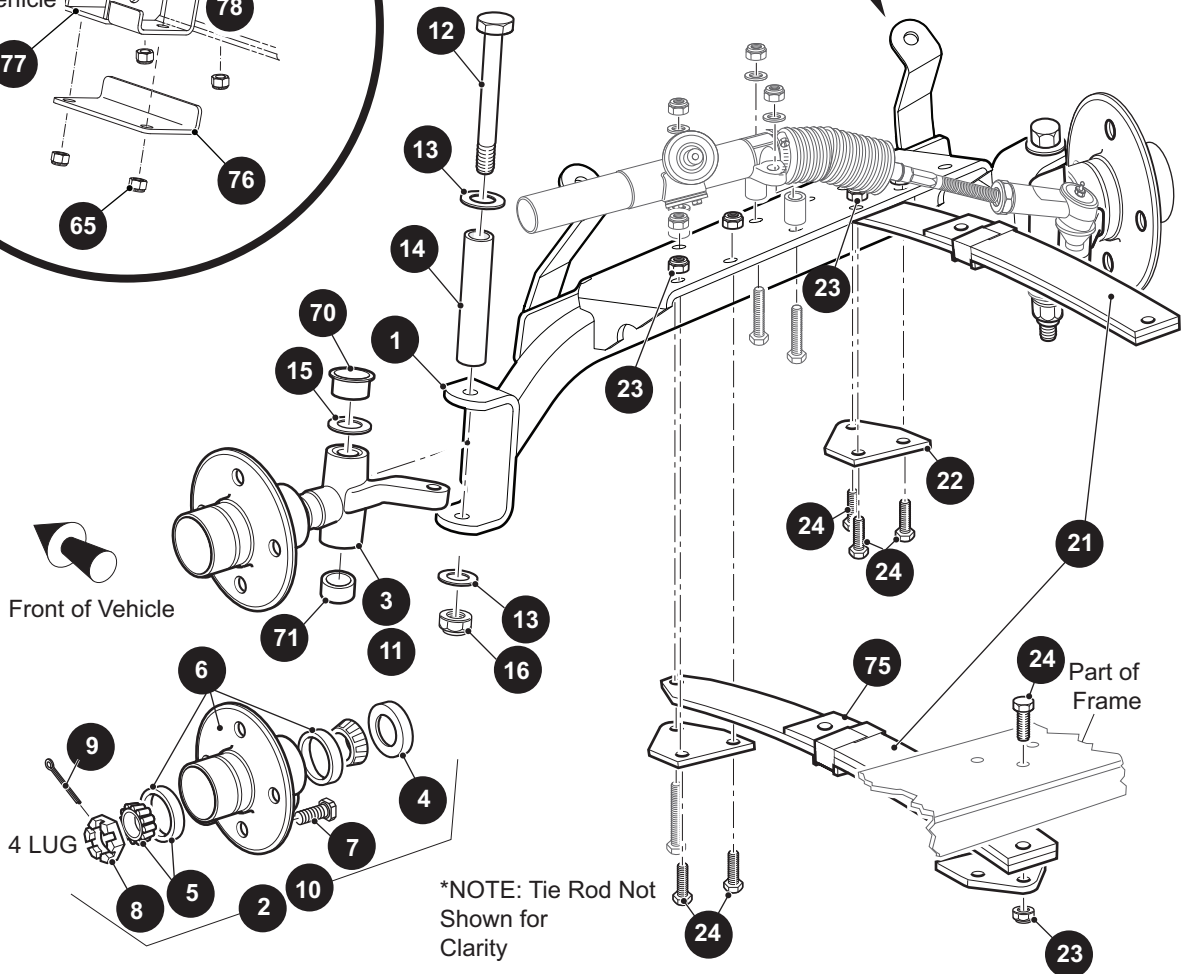
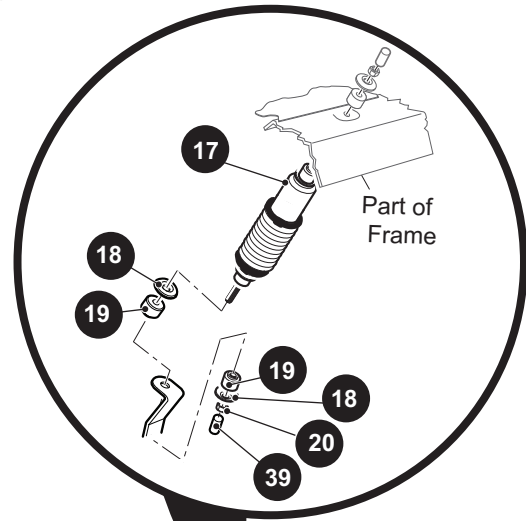
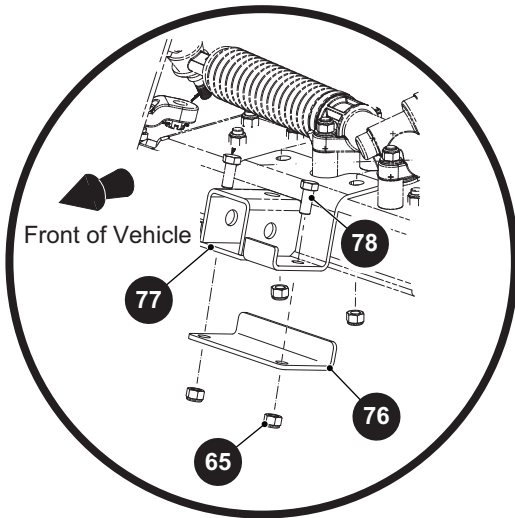
ITEM	PART NO.	1 2 3 4 5	DESCRIPTION	QTY.
1	633740		GAS ENGINE, 13HP, NON-GOLF (INCLUDES ITEMS 4 -7)	1
2				
3	606390		DIP STICK.....	1
4	607454		OIL FILTER.....	1
5	607462		SPARK PLUG (BPR2ES)	1
6	603557		OIL DRAIN PLUG.....	1
7	603562		'O' RING, 16MM.....	1
8				
9	612266		MUFFLER	1
10	606982		EXHAUST PIPE	1
11	606272		FLAT WASHER, 8MM	4
12	606267		HEX NUT, M8 X 1.25	4
13	606279		HEX NUT, M10 - 1.25.....	1
14	606256		HEX HEAD BOLT, M10 - 1.25 X 25MM LG.....	3
15	602330		HEX HEAD BOLT, M8 - 1.25 X 30MM LG.....	2
16	603599		EXHAUST GASKET.....	2
17				
18	630970		MUFFLER (FOR VEHICLES MANUFACTURED FROM APRIL 2014)	1

Notes:



FRONT SUSPENSION/STEERING

- 2** SPINDLE AND HUB ASSEMBLY, 4 LUG (PASSENGER SIDE)
includes items 3 - 9
- 6** WHEEL HUB ASSEMBLY WITH RACES, 4 LUG
includes item 7
- 10** SPINDLE AND HUB ASSEMBLY, 4 LUG (DRIVER SIDE)
includes items 4 - 9, 11

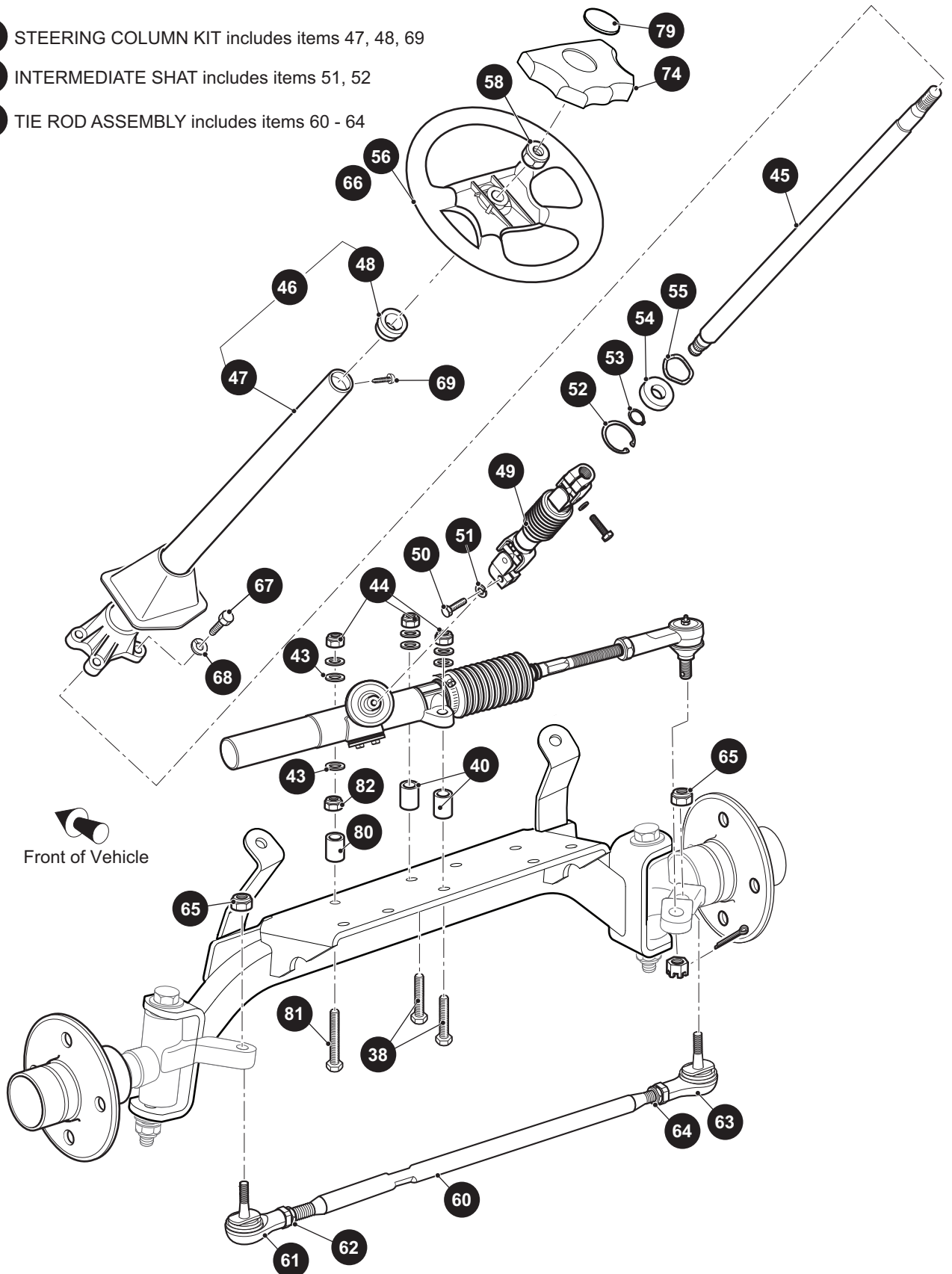


FRONT SUSPENSION/STEERING

46 STEERING COLUMN KIT includes items 47, 48, 69

49 INTERMEDIATE SHAT includes items 51, 52

59 TIE ROD ASSEMBLY includes items 60 - 64



FRONT SUSPENSION/STEERING

When ordering parts, please specify the model and serial number of the product.

* Indicates a component that is not available as an individual part.

*** Indicates consult Customer Service Department for additional information.

ITEM	PART NO.	1 2 3 4 5	DESCRIPTION	QTY.
1	633795		FRONT AXLE	1
2	70930G01		SPINDLE AND HUB ASSEMBLY, 4 LUG (PASSENGER SIDE) (INCLUDES ITEMS 3 - 9).....	1
3	70802G01		SPINDLE ASSEMBLY (PASSENGER SIDE).....	1
4	25146G1		GREASE SEAL	1
5	11750G2		ROLLER BEARING AND RACE ASSEMBLY	2
6	35886G01		WHEEL HUB ASSEMBLY WITH RACES, 4 LUG (INCLUDES ITEM 7)...	1
7	19862G1		LUG BOLT, 1/2" - 20 X 1 3/16" LG.....	4
8	12093G1		CASTELLATED NUT, 1" - 14	1
9	00798G8		COTTER PIN, 5/32" X 1 3/4" LG.....	1
10	70931G01		SPINDLE AND HUB ASSEMBLY, 4 LUG (DRIVER SIDE) (INCLUDES ITEMS 4 - 9, 11)	1
11	70803G01		SPINDLE ASSEMBLY (DRIVER SIDE)	1
12	00407G6		HEX HEAD BOLT, 1/2" - 13 X 6" LG.....	2
13	00560G3		FLAT WASHER, 1/2"	4
14	70745G01		KING PIN TUBE	2
15	70754G01		THRUST WASHER (SS), 1.3"	2
16	14390G6		LOCK NUT, 1/2" - 13	2
17	76419G01		SHOCK ABSORBER	2
18	10435G1		SHOCK ABSORBER WASHER	8
19	10194G1		RUBBER BUSHING	8
20	00532G6		HEX NUT, 1/4" - 20.....	4
21	70664G03		LEAF SPRING (HEAVY DUTY)	2
22	652258		SPRING PLATE.....	4
23	00734G1		LOCK NUT, 7/16" - 14	11
24	00463G11		HEXHEAD BOLT, 7/16" - 14 X 1 3/4" LG.....	11
25				
26				
27				
28				
29				
30				

FRONT SUSPENSION/STEERING

When ordering parts, please specify the model and serial number of the product.

* Indicates a component that is not available as an individual part.

*** Indicates consult Customer Service Department for additional information.

ITEM	PART NO.	1 2 3 4 5	DESCRIPTION	QTY.
31				
32				
33				
34				
35				
36				
37				
38	00464G8		HEX HEAD BOLT, 7/16" - 14 X 2 3/4" LG	2
39	10044G01		VINYL CAP.....	4
40	70667G02		SPACER, O.D 1" X I.D .46" X 1.2" LG	2
41				
42				
43	00560G2		FLAT WASHER, 7/16".....	7
44	00734G1		LOCK NUT, 7/16" - 14.....	3
45	70607G01		STEERING SHAFT	1
46	70758G05		STEERING COLUMN KIT (INCLUDES ITEMS 47, 48 & 69).....	1
47	70610G03		STEERING COLUMN.....	1
48	28569G01		STEERING COLUMN BUSHING	1
49	70580G01		INTERMEDIATE SHAFT (INCLUDES ITEMS 50, 51)	1
50	01055G01		METRIC BOLT, M8 X 1.25 - 6G.....	1
51	00565G8		LOCK WASHER, 5/16".....	1
52	70751G01		RETAINING RING (INTERNAL).....	1
53	70888G01		RETAINING RING (EXTERNAL)	1
54	15112G1		BALL BEARING	1
55	70887G01		WAVE WASHER	1
56	602980		STEERING WHEEL PREMIUM (OPTIONAL)	1
57				
58	14390G2		LOCK NUT, 5/8" - 18.....	1
59	70876G02		TIE ROD ASSEMBLY (INCLUDES ITEMS 60 - 64).....	1
60	70897G02		THREADED ROD (24" LG)	1
61	70902G01		TIE ROD END (LEFT HAND THREADS)	1

FRONT SUSPENSION/STEERING

When ordering parts, please specify the model and serial number of the product.

* Indicates a component that is not available as an individual part.

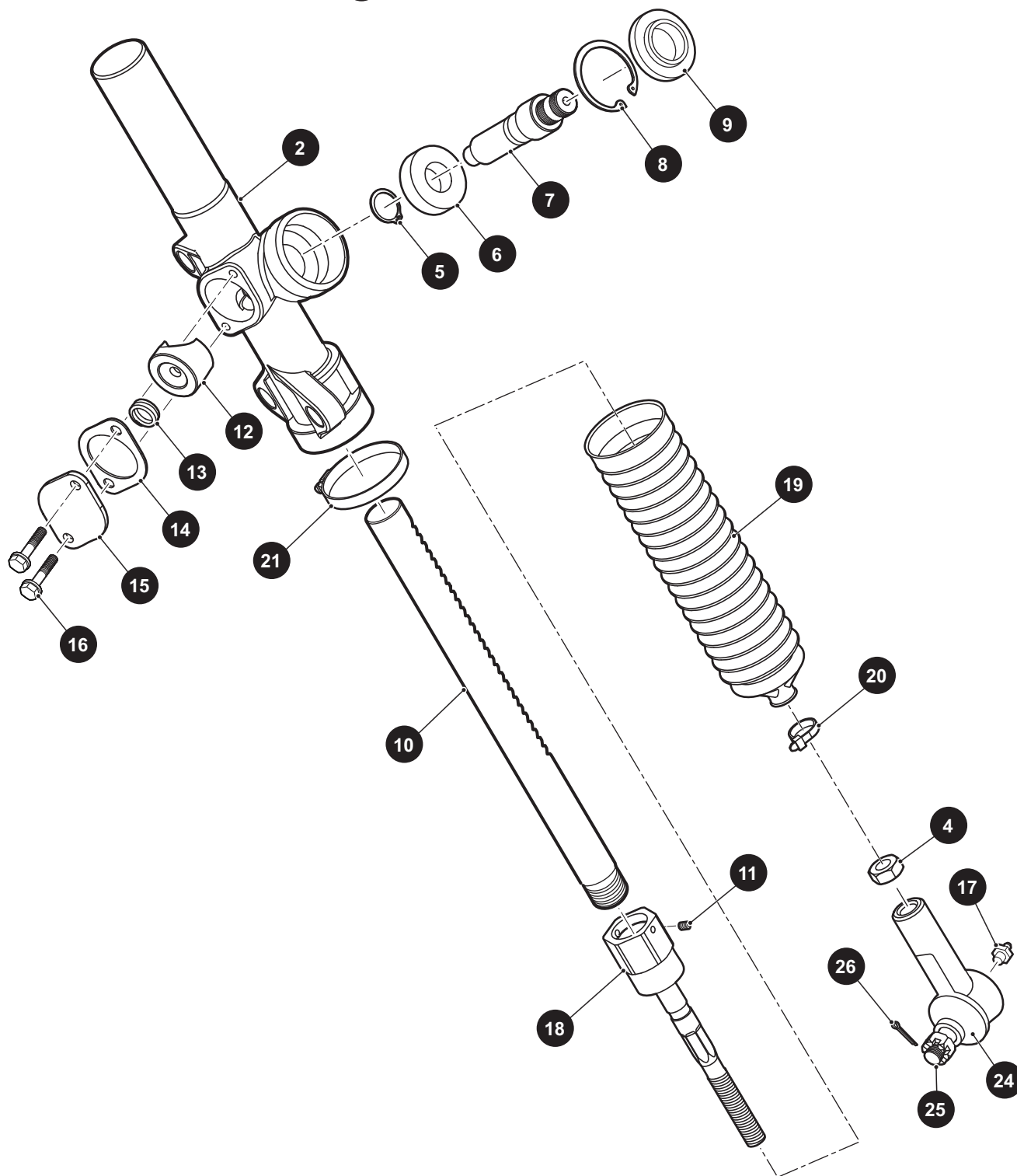
*** Indicates consult Customer Service Department for additional information.

ITEM	PART NO.	1 2 3 4 5	DESCRIPTION	QTY.
62	01069G01		JAM NUT, M12 X 1.25 - 05 (LEFT HAND THREADS).....	1
63	70902G02		TIE ROD END (RIGHT HAND THREADS).....	1
64	01069G02		JAM NUT, M12 X 1.25 - 05 (RIGHT HAND THREADS)	1
65	00734G1		LOCK NUT, 7/16" - 14	6
66	602979		STEERING WHEEL.....	1
67	01006G01		HEX WASHER HEAD BOLT, 3/8" - 16 x 1 1/4" LG	4
68	00879 G1		LOCK WASHER, 3/8"	4
69	01022G01		HEX WASHER HEAD BOLT, #6 - 20 x 5/16" LG.....	1
70	70648G01		FLANGED BEARING	1
71	70749G01		BEARING	1
72				
73				
74	71147G01		STEERING WHEEL COVER.....	1
75	70990G03		SPRING FRONT CANT LEAF	2
76	604572		WINCH RECEIVER RETAINER PLATE	1
77	635202		WINCH RECEIVER WELDMENT	1
78	00462G8		HEX HEAD BOLT, 7/16" - 14 X 7/8" LG.....	4
79	605435		STEERING WHEEL DECAL.....	1
80	70667G04		SPACER, O.D 1" X I.D .46" X .69" LG.....	1
81	01068G01		HEX HEAD BOLT, 7/16" - 14 X 3.5 LG.....	1
82	00532G7		HEX NUT, 1/4" - 20.....	1

FRONT SUSPENSION/STEERING

1 RACK AND PINION UNIT includes items 2 - 23

23 RACK BALL JOINT includes items 24 - 25



FRONT SUSPENSION/STEERING

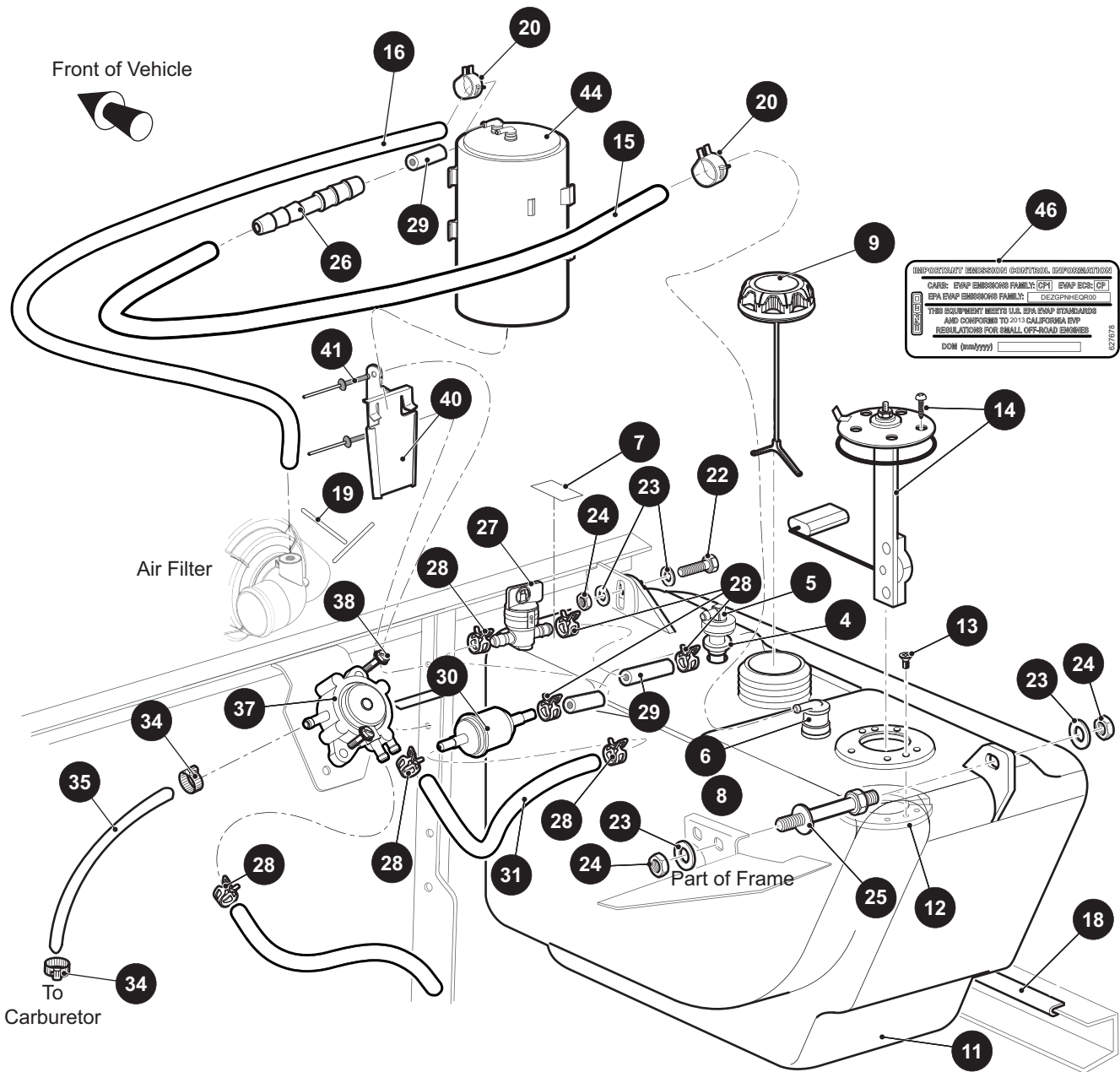
When ordering parts, please specify the model and serial number of the product.

* Indicates a component that is not available as an individual part.

*** Indicates consult Customer Service Department for additional information.

ITEM	PART NO.	1 2 3 4 5	DESCRIPTION	QTY.
1	70964G01		RACK AND PINION UNIT (INCLUDES ITEMS 2 - 23)	1
2	70965G01		STEERING RACK COVER & BEARING	1
3				
4	*		JAM NUT, 1/2" - 20	1
5	70750G01		RETAINING RING (EXTERNAL)	1
6	15112G1		BALL BEARING	1
7	70603G01		PINION	1
8	70751G01		RETAINING RING (INTERNAL)	1
9	70638G01		SEAL (PINION)	1
10	70604G01		STEERING RACK	1
11	*		SET SCREW, #10 - 32 X .25" LG	1
12	70590G01		RACK LOADER	1
13	70666G01		COMPRESSION SPRING	1
14	70645G01		GASKET (RACK LOADER COVER)	1
15	652259		COVER (RACK LOADER)	1
16	71102G01		HEX WASHER HEAD BOLT, 1/4" - 20 X 11/16" LG	2
17	10389G3		GREASE FITTING (STRAIGHT)	1
18	74694G01		ROD END (INNER)	1
19	70961G01		RACK BOOT	1
20	12416G2		NYLON CLAMP, 10"	1
21	11391G8		HOSE CLAMP, 1.81"	1
22				
23	70695G01		TIE ROD END (OUTER) (INCLUDES ITEMS 24 - 25)	1
24	50641G1		GROMMET	1
25	50209G2		HEX SLOTTED NUT, 7/16" - 20	1
26	10387G2		COTTER PIN, 3/32" X 1"	1

FUEL SYSTEM



- 1** CARB FUEL TANK ASSEMBLY (USE WITH SENDING UNIT)
includes items 4 - 14
- 10** CARB FUEL TANK (W/SWITCH) includes item 11

EARLY PRODUCTION VEHICLES

FUEL SYSTEM

When ordering parts, please specify the model and serial number of the product.

* Indicates a component that is not available as an individual part.

*** Indicates consult Customer Service Department for additional information.

ITEM	PART NO.	1 2 3 4 5	DESCRIPTION	QTY.
1	645034		CARB FUEL TANK ASSEMBLY (USE WITH SENDING UNIT) (INCLUDES ITEMS 4 - 14)	1
2				
3				
4	70988G01		SIPHON TUBE GROMMET.....	1
5	18287G3		SIPHON TUBE ASSEMBLY	1
6	606068		ROLLOVER VALVE GROMMET	1
7	617886		EPA FUEL TANK LABEL	1
8	606067		ROLLOVER VALVE	1
9	633423		FUEL TANK CAP (RATCHET).....	1
10	*		CARB FUEL TANK (W/SWITCH) (INCLUDES ITEM 11)	1
11	*		FUEL TANK, W/ SENDER UNIT	1
12	72229G01		FUEL TANK ADAPTER.....	1
13	72230G01		FLAT HEAD MACHINE SCREW	2
14	20048G2		FUEL LEVEL SENDER.....	1
15	607546		LOW PRESSURE FUEL HOSE, 3/16" I.D. X 3/8 O.D. X 17.00 LONG (CARB)	1
16	606966		LOW PRESSURE FUEL HOSE, 3/16" I.D. X 3/8 O.D. X 34.00 LONG (CARB)	1
17				
18	32372G6		BLACK TRIM, 6.25" LONG	1
19	17618G1		NYLON CLAMP	2
20	606963		TUBING CLAMP, 3/16" I.D.....	2
21				
22	00438G8		HEX HEAD BOLT, 5/16" - 18 X 1" LG	1
23	00559G8		FLAT WASHER, 5/16"	4
24	11098G6		LOCK NUT, 5/16" - 18	3
25	70483G01		SPACER, 5/16" - 18	1
26	615346		HOSE REDUCER-ID 1/4" X 3/16"	1
27	611181		FUEL SHUT-OFF VALVE	1
28	18292G1		HOSE CLAMP,.50 DIAMETER	8
29	615350		FUEL SYSTEM HOSE 2.00"	3
30	72084G01		FUEL LINE FILTER	1

FUEL SYSTEM

When ordering parts, please specify the model and serial number of the product.

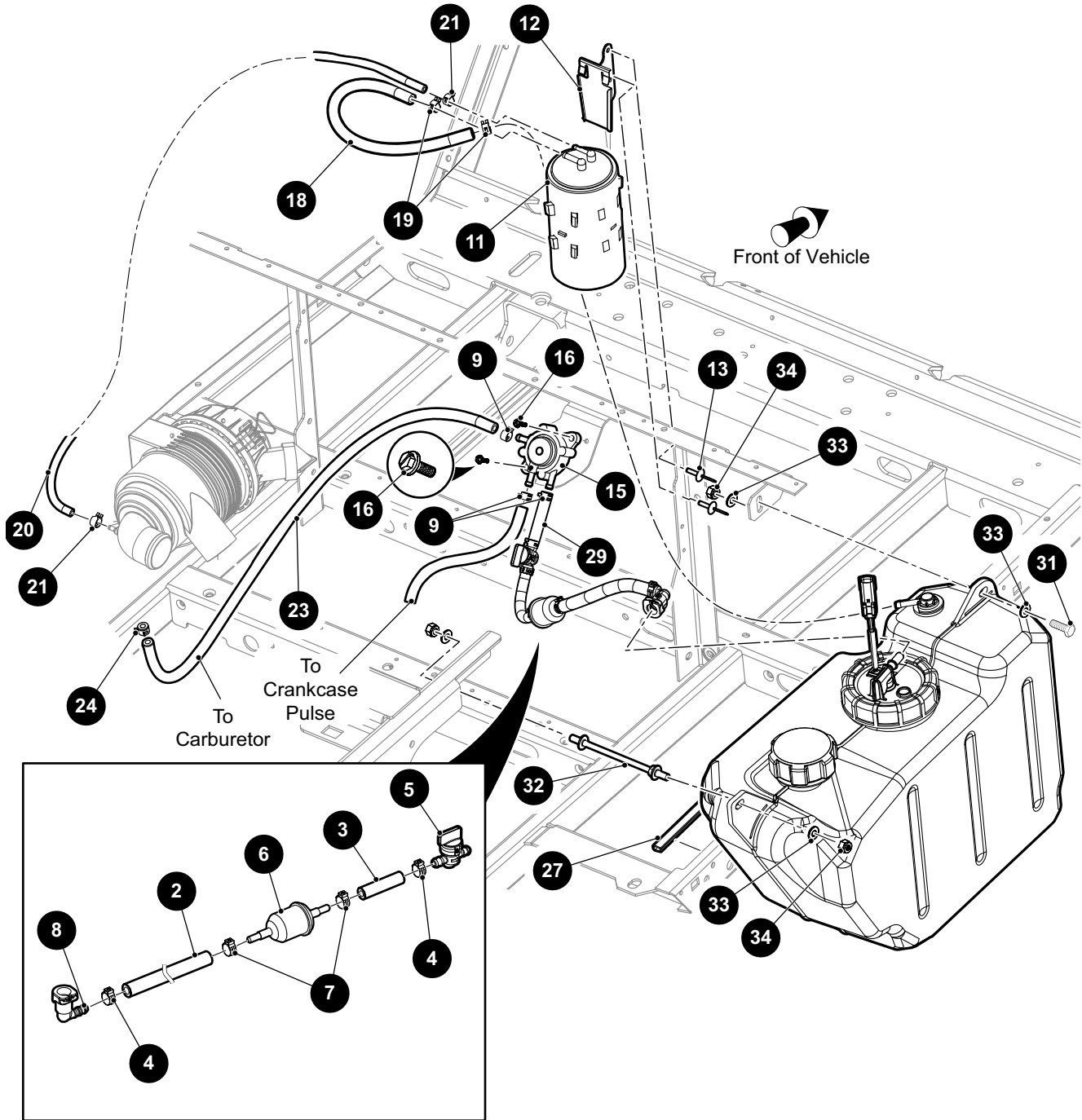
* Indicates a component that is not available as an individual part.

*** Indicates consult Customer Service Department for additional information.

ITEM	PART NO.	1 2 3 4 5	DESCRIPTION	QTY.
31	606969		FUEL SYSTEM HOSE, .25 I.D. X.50 O.D. X 8.00 LONG.....	1
32				
33				
34	11391G4		HOSE CLAMP, .25 - .63 DIA	2
35	604597		CARB FUEL SYSTEM HOSE, .25 I.D. X.50 O.D. X 26.00 LONG.....	1
36				
37	602061		FUEL PUMP	1
38	00114G6		HEX WASHER HEAD SLOTTED TAPPING SCREW, 1/4" - 14 X .75" LG	2
39				
40	606310		CARBON CANISTER MOUNTING BRACKET	1
41	10570G11		RIVET, 3/16" DIA X .70	2
42				
43				
44	606071		CARBON CANISTER	1
45				
46	627678		EVAP LABEL	1

FUEL SYSTEM

1 FUEL LINE ASSEMBLY includes items 2 - 8



LATE PRODUCTION VEHICLES

FUEL SYSTEM

When ordering parts, please specify the model and serial number of the product.

* Indicates a component that is not available as an individual part.

*** Indicates consult Customer Service Department for additional information.

ITEM	PART NO.	1 2 3 4 5	DESCRIPTION	QTY.
1	649515		FUEL LINE ASSEMBLY (INCLUDES ITEMS 2 - 8)	1
2	649570		HOSE, .312" I.D. X .562" O.D. X 9" LG	1
3	615350		HOSE, 2" LG	1
4	649873		CLAMP, 1/2" O.D.	2
5	611181		SHUT-OFF VALVE.....	1
6	72084G01		FUEL FILTER	1
7	649874		CLAMP, 9/16" O.D.	2
8	649577		CONNECTOR, 5/16" I.D.	1
9	18292G1		CLAMP, 1/2" O.D.	3
10				
11	606071		CARBON CANISTER.....	1
12	606310		CANISTER BRACKET	1
13	10570G11		RIVET (SS), 3/16" X .70"	2
14				
15	602061		FUEL PUMP.....	1
16	00114G6		HEX WASHER HEAD BOLT, 1/4" - 10 X 3/4" LG	2
17				
18	27184G14		FUEL SYSTEM TUBE.....	1
19	18292G1		CLAMP, 1/2" O.D.	2
20	606966		HOSE, 3/16" I.D. X 34" LG.....	1
21	606963		CLAMP, 3/16" I.D.	2
22				
23	604597		FUEL HOSE, 26" LG.....	1
24	18292G1		CLAMP, 1/2" O.D.	1
25				
26	17618G1		NYLON CLAMP, 7" LG (NOT ILLUSTRATED).....	2
27	32372G6		VINYL TRIM, 6.25" LG	1
28				
29	615350		FUEL HOSE, 2" LG.....	1
30				
31	00438G8		HEX HEAD BOLT, 5/16" - 18 X 5/8" LG	1

FUEL SYSTEM

When ordering parts, please specify the model and serial number of the product.

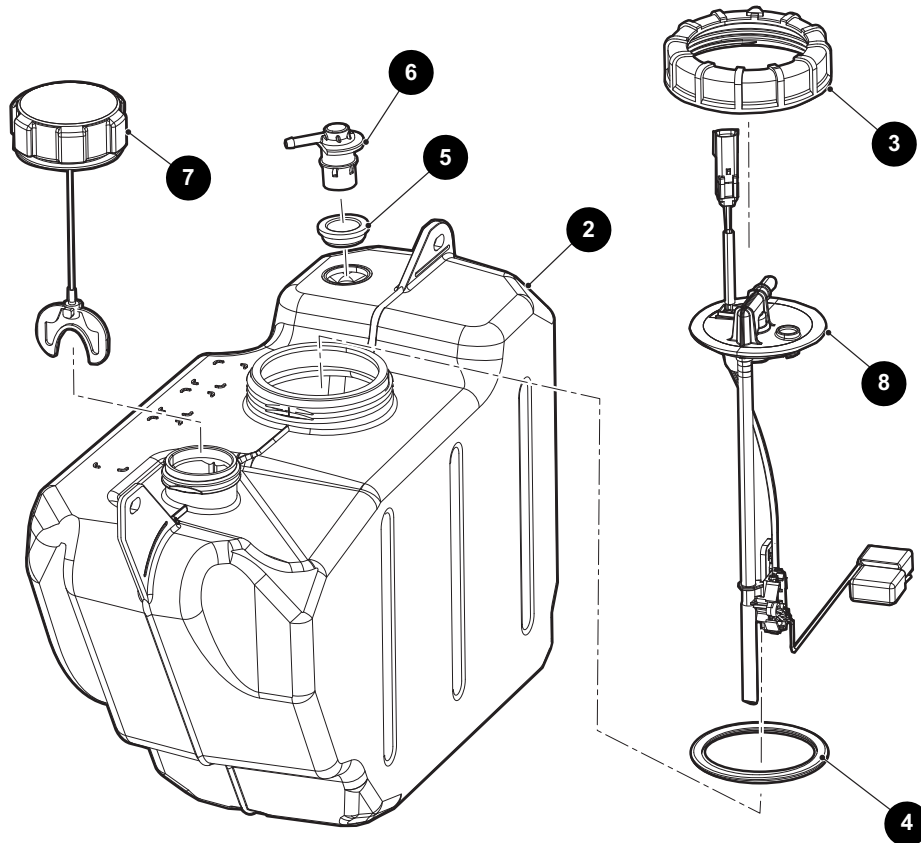
* Indicates a component that is not available as an individual part.

*** Indicates consult Customer Service Department for additional information.

ITEM	PART NO.	1 2 3 4 5	DESCRIPTION	QTY.
32	70483G01		SPACER	1
33	00559G8		FLAT WASHER, 5/16"	4
34	11098G6		LOCK NUT, 5/16" - 18	3

FUEL SYSTEM

- 1** FUEL TANK ASSEMBLY (WITH SENDER UNIT)
includes items 2 - 8



LATE PRODUCTION VEHICLES

FUEL SYSTEM

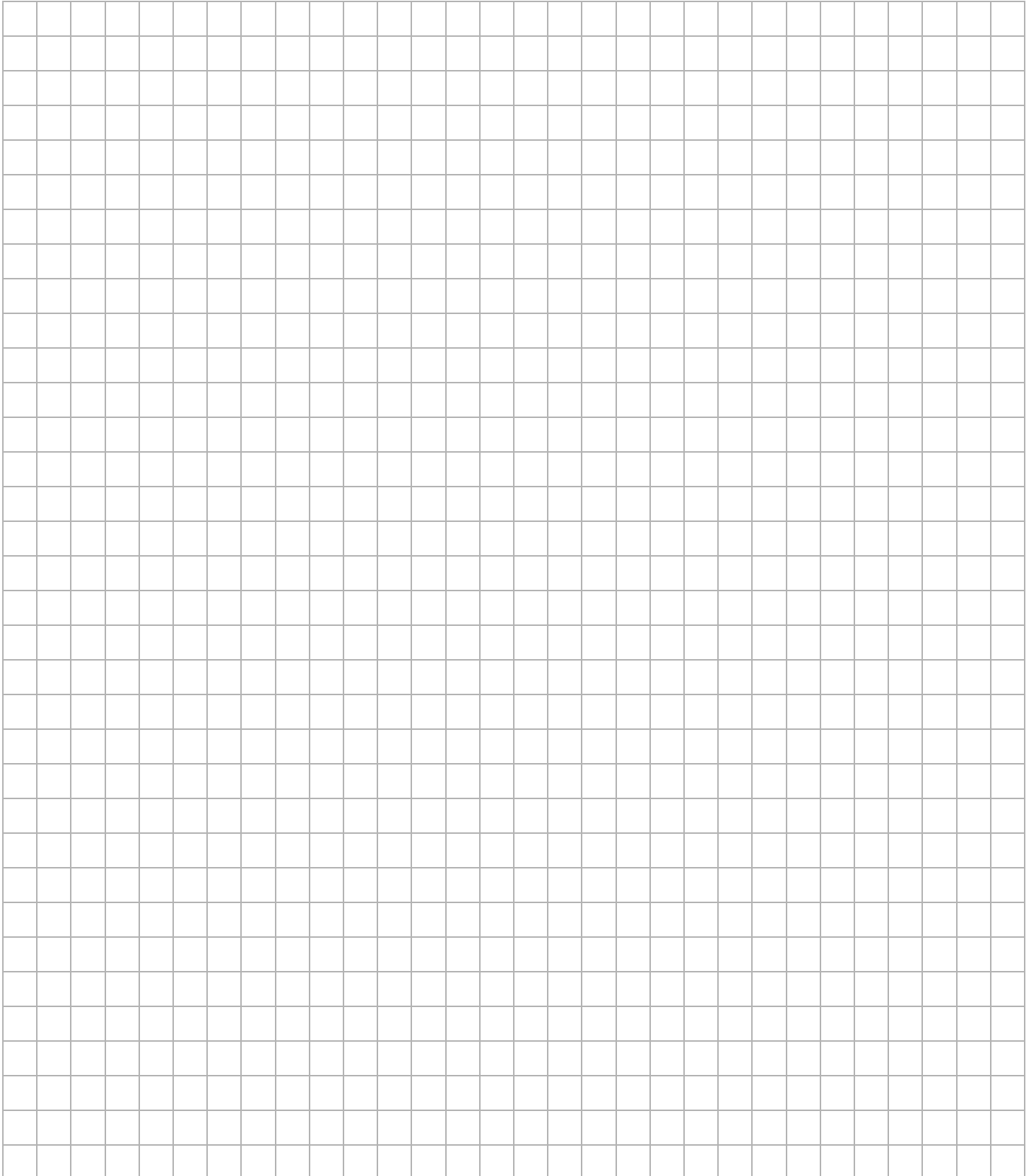
When ordering parts, please specify the model and serial number of the product.

* Indicates a component that is not available as an individual part.

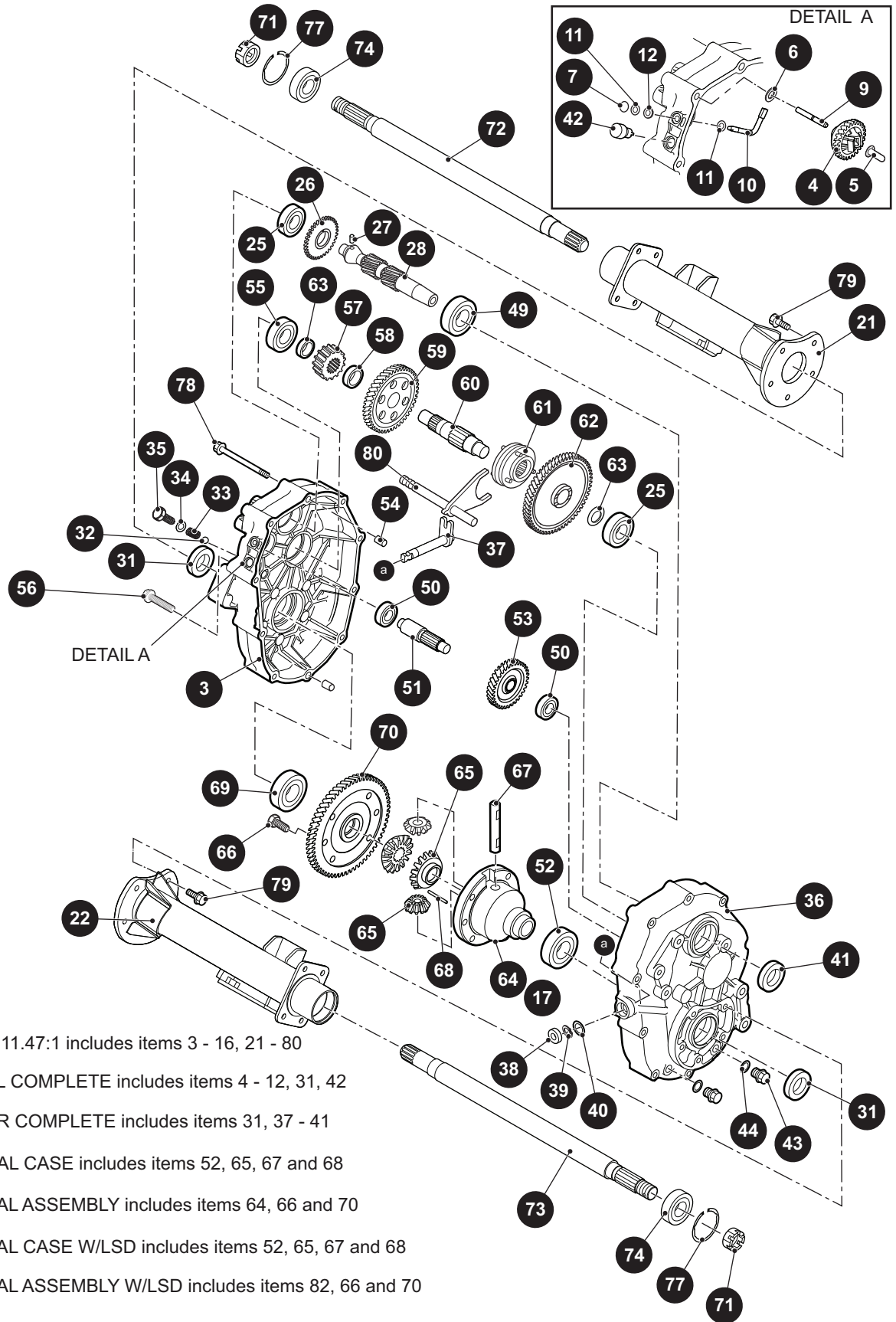
*** Indicates consult Customer Service Department for additional information.

ITEM	PART NO.	1 2 3 4 5	DESCRIPTION	QTY.
1	656139		FUEL TANK ASSEMBLY (WITH SENDER UNIT) (INCLUDES ITEMS 2 - 8) ..	1
2	646306		FUEL TANK	1
3	646837		CAP	1
4	646838		SEAL.....	1
5	647810		GROMMET	1
6	647809		ROLLOVER VALVE	1
7	635688		FUEL CAP	1
8	656144		FUEL PICKUP WITH SENDER ASSEMBLY	1

Notes:



REAR AXLE



- 1 REAR AXLE, 11.47:1 includes items 3 - 16, 21 - 80
- 3 AXLE CASE L COMPLETE includes items 4 - 12, 31, 42
- 36 AXLE CASE R COMPLETE includes items 31, 37 - 41
- 64 DIFFERENTIAL CASE includes items 52, 65, 67 and 68
- 16 DIFFERENTIAL ASSEMBLY includes items 64, 66 and 70
- 17 DIFFERENTIAL CASE W/LSD includes items 52, 65, 67 and 68
- 18 DIFFERENTIAL ASSEMBLY W/LSD includes items 82, 66 and 70
- 2 REAR AXLE W/LSD, 11.47:1 includes items 3 - 12, 17 - 63, 65 - 80

REAR AXLE

When ordering parts, please specify the model and serial number of the product.

* Indicates a component that is not available as an individual part.

*** Indicates consult Customer Service Department for additional information.

ITEM	PART NO.	1 2 3 4 5	DESCRIPTION	QTY.
1	670468		REAR AXLE, 11.47:1 (INCLUDES ITEMS 3 - 16, 21 - 80)	1
2	670470		REAR AXLE W/LSD, 11.47:1 (INCLUDES ITEMS 3 - 12, 17 - 63, 65 - 80)....	1
3	639859		AXLE CASE L COMPLETE (INCLUDES ITEMS 4 - 12, 31, 42)	1
4	665887		GOVERNOR GEAR	1
5	639689		GOVERNOR SLEEVE	1
6	607904		FLAT WASHER	1
7	607913		RETAINING RING E5	1
8				
9	639698		GOVERNOR GEAR SHAFT	1
10	639707		GOVERNOR SHAFT	1
11	639736		FLAT WASHER, 6MM	2
12	607911		OIL SEAL, 6 x 10 x 2.5 MM.....	1
13				
14				
15				
16	639847		DIFFERENTIAL ASSEMBLY (INCLUDES ITEMS 64, 66 AND 70)	1
17	640098		DIFFERENTIAL CASE W/LSD (INCLUDES ITEMS 52, 65, 67 AND 68)	1
18	639847		DIFFERENTIAL ASSEMBLY W/LSD (INCLUDES ITEMS 17, 66 AND 70).....	1
19				
20				
21	607939		AXLE CASE L COMPLETE	1
22	607940		AXLE CASE R COMPLETE	1
23				
24				
25	26785G01		BALL BEARING (6204)	2
26	665888		GOVERNOR GEAR, 34	1
27	607920		PIN, 6 x 12L.....	1
28	639750		INPUT SHAFT	1
29				
30				

REAR AXLE

When ordering parts, please specify the model and serial number of the product.

* Indicates a component that is not available as an individual part.

*** Indicates consult Customer Service Department for additional information.

ITEM	PART NO.	1	2	3	4	5	DESCRIPTION	QTY.
31	639738						OIL SEAL, 24 x 40 x 9MM	2
32	26818G01						STEEL BALL	1
33	26819G01						SPRING	1
34	26831G01						GASKET, 10	1
35	26820G01						FLANGED HEX HEAD BOLT, M10 x 1.25 x 12 MM LG.....	1
36	639865						AXLE CASE R COMPLETE (INCLUDES ITEMS 31, 37 - 41)	1
37	639746						SELECT SHAFT	1
38	607915						OIL SEAL, 13 x 22 x 5MM	1
39	607916						SNAP RING, 13MM	1
40	607917						SPACER, 13 x 1MM	1
41	640093						OIL SEAL, 28 x 47 x 9MM	1
42	607919						AIR BREATHER	1
43	639747						OIL DRAIN PLUG	2
44	639748						GASKET, 14MM.....	2
45								
46								
47								
48								
49	607922						BALL BEARING (62/28).....	1
50	639868						BALL BEARING (TMB202)	2
51	639755						COUNTER SHAFT.....	1
52	640744						BALL BEARING (6006).....	1
53	639758						GEAR, 34	1
54	639869						KNOCK PIPE	2
55	639760						BALL BEARING (6304).....	2
56	639768						FLANGED HEX HEAD BOLT, M8 - 1.25 X 40MM LG.....	1
57	639769						GEAR, 17	1
58	28689G01						COLLAR, 24 x 7.5MM.....	1
59	639771						GEAR, 52.....	1
60	670697						CENTER SHAFT.....	1
61	639774						CLUTCH PIN.....	1

REAR AXLE

When ordering parts, please specify the model and serial number of the product.

* Indicates a component that is not available as an individual part.

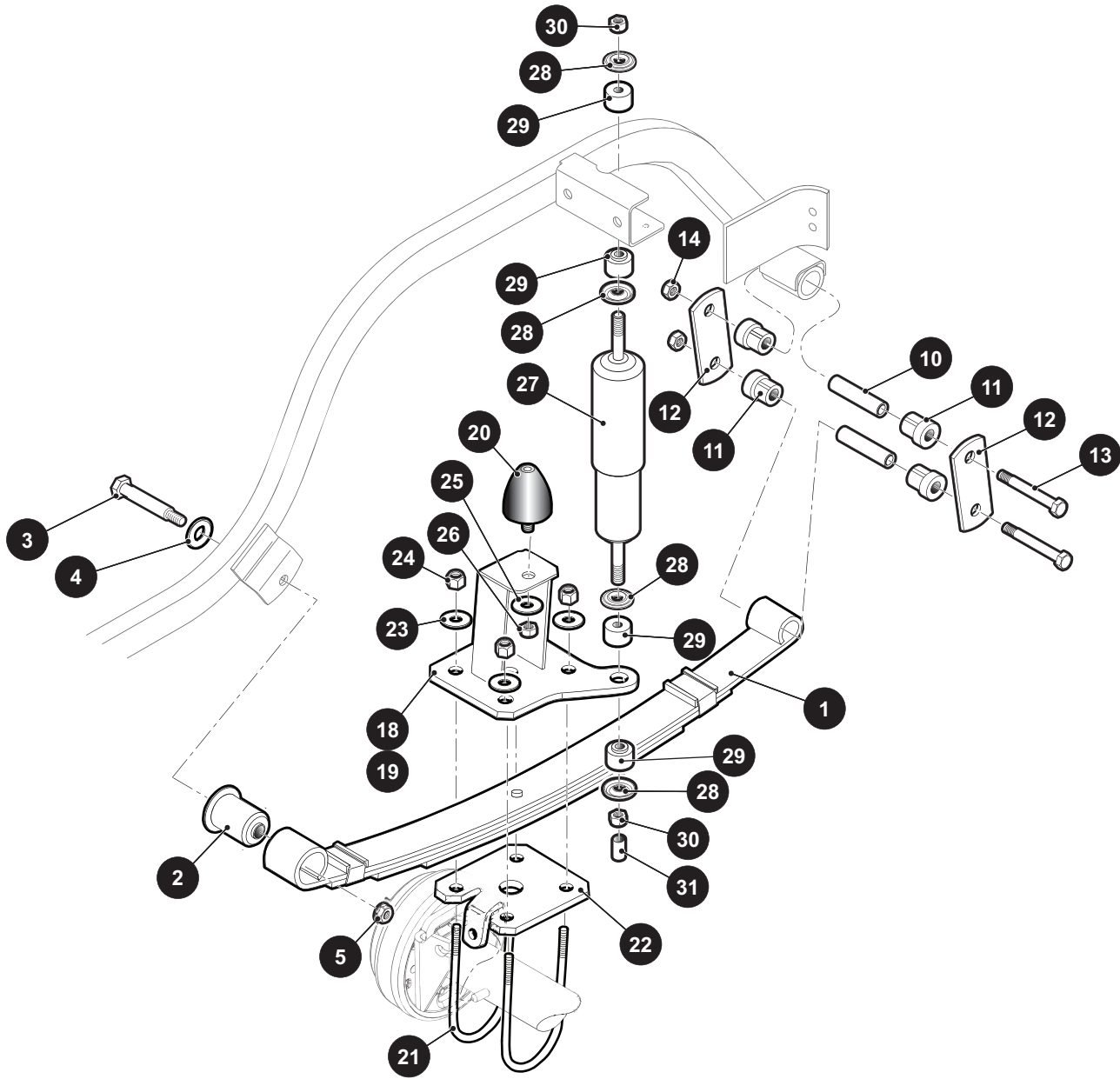
*** Indicates consult Customer Service Department for additional information.

ITEM	PART NO.	1	2	3	4	5	DESCRIPTION	QTY.
62	670696						GEAR, 61	1
63	639797						SPACER, 20 x 2MM	2
64	639872						DIFFERENTIAL CASE (INCLUDES ITEMS 52, 65, 67 AND 68)	1
65	639800						DIFFERENTIAL PAIR GEAR	1
66	26808G01						HEX HEAD BOLT, M10 x 1.25 x 26 MM LG.....	6
67	28723G01						DIFFERENTIAL SHAFT	1
68	28697G01						SPRING PIN, 4 x 40L	1
69	639801						BALL BEARING (6007)	1
70	640739						GEAR, 60 COMPLETE (INCLUDES ITEM 69).....	1
71	607938						CASTLED NUT, M22 - 1.5	2
72	639876						AXLE SHAFT L COMPLETE (INCLUDES ITEM 74).....	1
73	639881						AXLE SHAFT R COMPLETE (INCLUDES ITEM 74)	1
74	639836						BALL BEARING (6205DD).....	2
75								
76								
77	26814G01						SNAP RING, 52MM	2
78	639839						FLANGED HEX HEAD BOLT, M8 x 1.25 x 60MM LG	9
79	639840						FLANGED HEX HEAD BOLT, M10 x 1.25 x 25MM LG	10
80	639844						SHIFT SHAFT COMPLETE.....	1

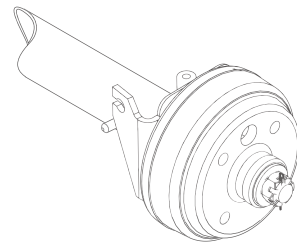
Notes:

A large grid of approximately 40 columns and 35 rows, intended for taking notes or recording technical information related to the rear axle.

REAR SUSPENSION



Front of the Vehicle



REAR SUSPENSION

When ordering parts, please specify the model and serial number of the product.

* Indicates a component that is not available as an individual part.

*** Indicates consult Customer Service Department for additional information.

ITEM	PART NO.	1 2 3 4 5	DESCRIPTION	QTY.
1	605722		HEAVY DUTY LEAF SPRING.....	2
2	605445		LEAF SPRING BUSHING, FRONT.....	2
3	00665G9		HEX HEAD BOLT (SS), 3/8" - 16 X 3.5" LG	2
4	00643G1		FLAT WASHER, 3/8"	2
5	12262G1		FLANGED LOCK NUT, 3/8" - 16.....	2
6				
7				
8				
9				
10	70289G02		SPLIT STEEL SPACER	4
11	624030		FLANGED BUSHING.....	8
12	652245		SHACKLE PLATE	4
13	00665G9		HEX HEAD BOLT (SS), 3/8" - 16 X 3.5" LG	4
14	11098G5		LOCK NUT, 3/8" - 16.....	4
15				
16				
17				
18	652629G103		SPRING PLATE, DRIVER SIDE	1
19	652629G203		SPRING PLATE, PASSENGER SIDE.....	1
20	70492G01		RUBBER BUMPER.....	2
21	32195G3		U-BOLT, 3/8" - 16 X 5" X 2.875" X 2"	4
22	652580		REAR SUSPENSION PLATE	2
23	00643G1		FLAT WASHER, 3/8"	8
24	11098G5		LOCK NUT, 3/8" - 16.....	8
25	00968G01		LOCK WASHER, M10.....	2
26	00974G01		HEX NUT, M10.....	2
27	642085		SHOCK ABSORBER.....	2
28	10435G1		SHOCK ABSORBER WASHER.....	8
29	10194G1		RUBBER SHOCK BUSHING	8
30	00532G6		HEX NUT, 3/8" - 24	4
31	10044G01		VINYL CAP.....	2

REAR SUSPENSION

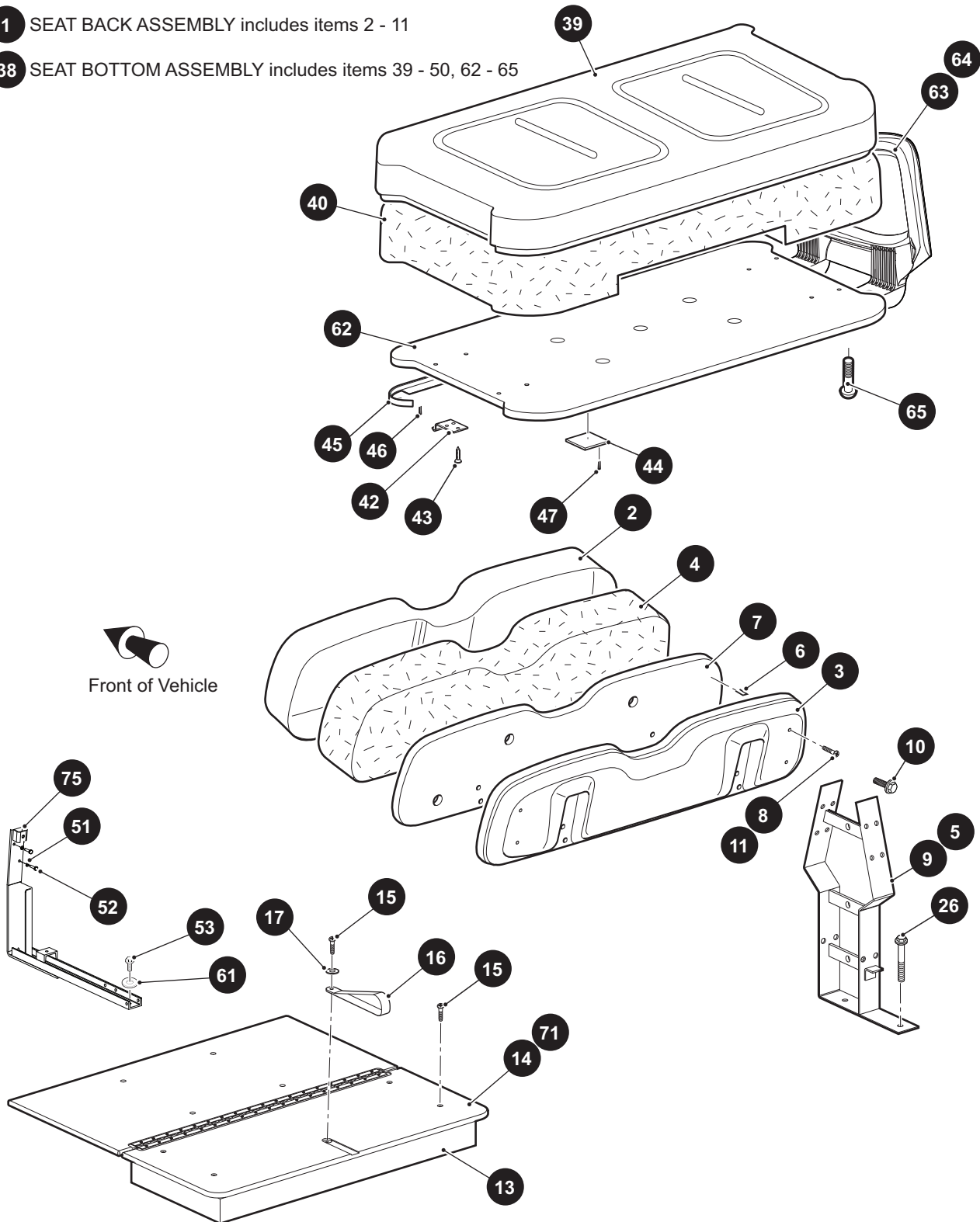
Notes:

A large grid of graph paper consisting of 20 columns and 25 rows of small squares, intended for taking notes.

SEATING

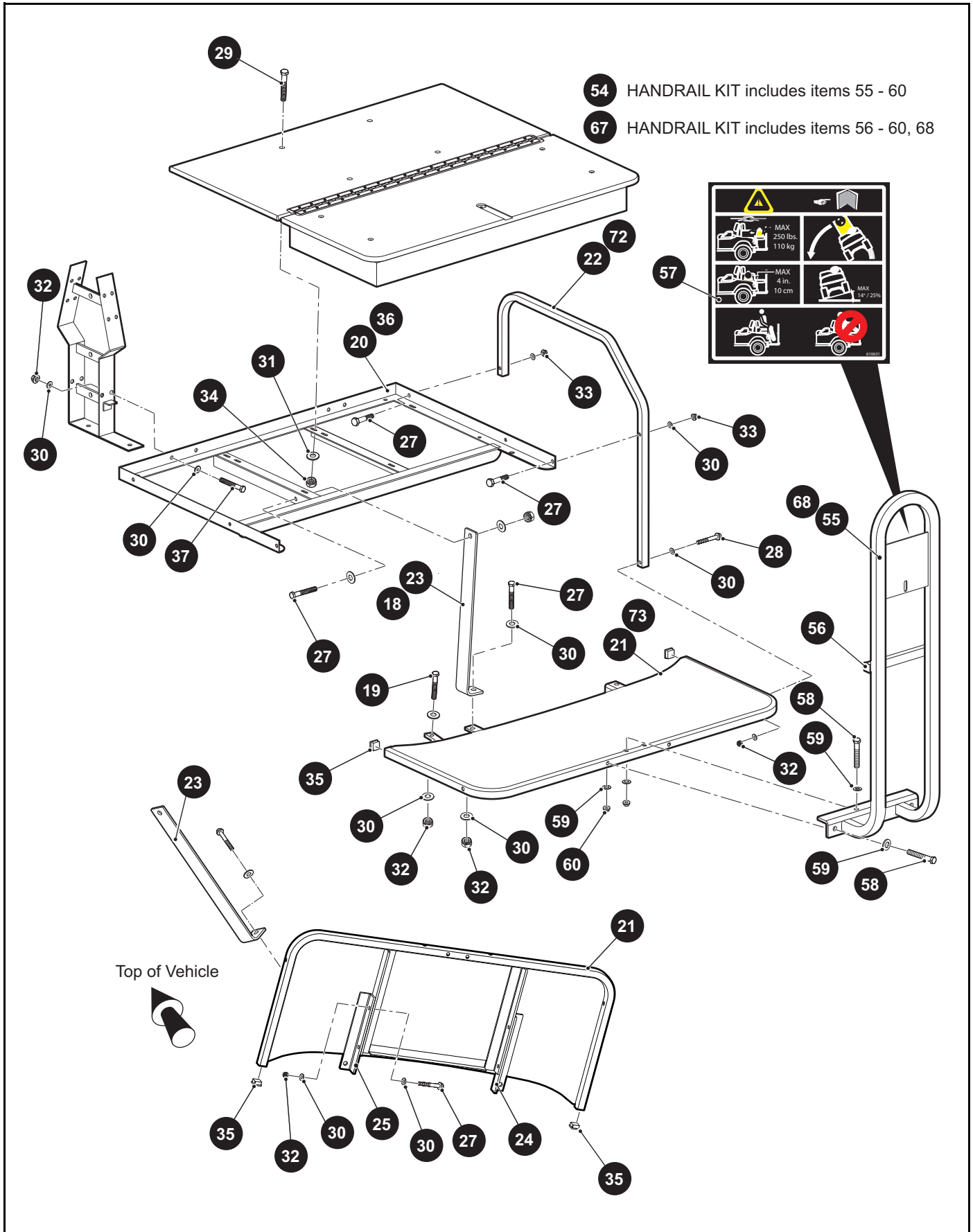
1 SEAT BACK ASSEMBLY includes items 2 - 11

38 SEAT BOTTOM ASSEMBLY includes items 39 - 50, 62 - 65



12 FLIP FLOP SEAT BOTTOM ASSEMBLY includes items 13 - 17

70 FLIP FLOP SEAT BOTTOM ASSEMBLY includes items 13, 15 - 17, 71



SEATING

When ordering parts, please specify the model and serial number of the product.

* Indicates a component that is not available as an individual part.

*** Indicates consult Customer Service Department for additional information.

ITEM	PART NO.	1	2	3	4	5	DESCRIPTION	QTY.	
1	***	SEAT BACK ASSEMBLY (INCLUDES ITEMS 2 - 11)					1		1
		606828	RED/BLACK						
		71751G03	OYSTER						
		71751G04	TAN						
		71751G07	BLACK						
		604908	WHITE/BLUE						
		604907	WHITE/RED						
		615838	WHITE/BLACK						
		620794	WHITE/YELLOW						
		620796	GRAY/BLACK						
		615837	OYSTER/GARNET						
2	***	VINYL SEAT BACK COVER					1		1
		71753G03	OYSTER						
		71753G04	TAN						
		71753G07	BLACK						
		604916G0103	WHITE/RED						
		604916G0102	WHITE/BLUE						
		604916G0304	RED/BLACK						
		604916G0104	WHITE/BLACK						
		604916G0108	WHITE/YELLOW						
		604916G0704	GRAY/BLACK						
		604916G0506	OYSTER/GARNET						
3	71752G01	SEAT BACK REAR COVER					1		1
4	71754G01	FOAM PADDING.....					1		1
5	634178	SEAT BACK SUPPORT (FOR VEHICLES MANUFACTURED FROM MARCH 2014).....					1		1
6	23222G01	FLAT STAPLE, 3/8" X 3/8"					95		95
7	645021	SEAT BACK BASE					1		1
8	01107G01	PAN HEAD TORX SCREW, #8 X 5/8" LG					4		4
9	615730	SEAT BACK SUPPORT					2		2
10	71204G01	MACHINE SCREW WITH PATCH LOCK, 1/4" - 20 X 7/8" LG.....					8		8
11	607535	PAN HEAD TORX SCREW, #8 X .88" LG (FOR VEHICLES MANUFACTURED FROM MARCH 2014).....					4		4
12	***	FLIP FLOP SEAT BOTTOM ASSEMBLY (INCLUDES ITEMS 13 - 17).....					1		1
		621027	TAN						
		621026	OYSTER						
		621031	WHITE/BLUE						
		621036	BLACK						
		621032	WHITE/RED						
		621033	RED/BLACK						
		621034	WHITE/YELLOW						
		621038	WHITE/BLACK						
		621035	GRAY/BLACK						

When ordering parts, please specify the model and serial number of the product.

* Indicates a component that is not available as an individual part.

*** Indicates consult Customer Service Department for additional information.

ITEM	PART NO.	1	2	3	4	5	DESCRIPTION	QTY.
		621037					OYSTER/RUBY	
13	***						VINYL FLIP FLOP SEAT BOTTOM COVER	1
		615646					OYSTER	
		615647					TAN	
		615648					BLACK	
		611126					WHITE/RED	
		611125					WHITE/BLUE	
		611135					RED/BLACK	
		611127					WHITE/YELLOW	
		611137					GRAY/BLACK	
		611130					WHITE/BLACK	
		611136					OYSTER/RUBY	
		617892					GRAY	
		617893					BROWN	
14	617137						DECK BOARD ASSEMBLY	1
15	16705G1						TRUSS HEAD PHILLIPS SCREW (SS), 1/4" - 20 X 1" LG	5
16	617402						SEAT STRAP.....	1
17	00559G7						FLAT WASHER, 1/4"	1
18	634174						SEAT FRAME SUPPORT (FOR VEHICLES MANUFACTURED FROM MARCH 2014).....	2
19	00427G6						HEX HEAD BOLT, 3/8" - 16 X 1 1/4" LG (FOR VEHICLES MANUFACTURED FROM MARCH 2014).....	2
20	615712						SEAT FRAME WELDMENT	1
21	615714						FOOTREST WELDMENT	1
22	615729						ARMREST, REAR SEAT	2
23	615713						SEAT FRAME SUPPORT	2
24	615728						FOOTREST BRACKET (PASSENGER SIDE).....	1
25	615727						FOOTREST BRACKET (DRIVER SIDE)	1
26	01006G01						HEX HEAD BOLT, 3/8" - 16 X 1 1/4" LG	4
27	00427G4						HEX HEAD BOLT, 3/8" - 16 X 1 1/2" LG	4
28	00429G2						HEX HEAD BOLT, 3/8" - 16 X 3 1/4" LG	2
29	16705G9						TRUSS HEAD PHILLIPS SCREW (SS), 1/4" - 20 X 1 1/4" LG.....	4
30	614221						FLAT WASHER, 3/8"	32
31	01110G01						FLAT WASHER, 1/4"	4
32	11098G5						LOCK NUT, 3/8" - 16.....	14
33	11027G5						LOCK NUT, 3/8" - 16.....	4

SEATING

When ordering parts, please specify the model and serial number of the product.

* Indicates a component that is not available as an individual part.

*** Indicates consult Customer Service Department for additional information.

ITEM	PART NO.	1 2 3 4 5	DESCRIPTION	QTY.
34	14390G4		LOCK NUT, 1/4" - 20	4
35	19853G1		SQUARE CAP TUBE, 1"	2
36	634180		SEAT FRAME WELDMENT (FOR VEHICLES MANUFACTURED FROM MARCH 2014)	1
37	00427G2		HEX HEAD BOLT, 3/8" - 16 X 1.25" LG.....	4
38	***		SEAT BOTTOM ASSEMBLY (INCLUDES ITEMS 39 - 50, 62 - 65)	1
			629269G0103 TAN	
			629269G0101 OYSTER	
			629269G0110 RED ON BLACK	
			629269G0106 BLACK	
			629269G0109 WHITE/BLUE	
			629269G0112 WHITE/BLACK	
			629269G0113 WHITE/YELLOW	
			629269G0114 GRAY/BLACK	
			629269G0115 OYSTER/GARNET	
			629269G0111 WHITE/RED	
39	***		VINYL SEAT BOTTOM COVER.....	1
			71602G04 TAN	
			71602G03 OYSTER	
			71602G06 BLACK	
			604912G0103 WHITE/RED	
			604912G0102 WHITE/BLUE	
			604912G0104 WHITE/BLACK	
			604912G0108 WHITE/YELLOW	
			604912G0704 GRAY/BLACK	
			604912G0506 OYSTER/GARNET	
			604912G0304 RED/BLACK	
			71602G02 GRAY	
			71602G07 BROWN	
			71602G05 NSC	
40	71603G02		FOAM PADDING (SEAT BOTTOM).....	1
41				
42	71610G01		SEAT HINGE.....	2
43	00720G08		FLAT HEAD PHILLIPS SCREW, #12 -14 X 1" LG	6
44	17074G1		RUBBER PAD	2
45	71012G01		VINYL TRIM (SEAT BOTTOM)	1
46	23222G1		FLAT STAPLE, 3/8" X 3/8"	110
47	23223G1		FLAT STAPLE, 3/8" X 3/8"	36
48				
49				

When ordering parts, please specify the model and serial number of the product.

* Indicates a component that is not available as an individual part.

*** Indicates consult Customer Service Department for additional information.

ITEM	PART NO.	1 2 3 4 5	DESCRIPTION	QTY.
50				
51	00664G7		LOCK WASHER, 1/4"	4
52	00661G8		HEX HEAD BOLT, 1/4" - 20 X 1/2" LG	4
53	00426G8		HEX HEAD BOLT, 3/8" - 16 X 3/4" LG	2
54	617901		HANDRAIL KIT, FLIP FLOP SEAT (INCLUDES ITEMS 55 - 60)	1
55	615721		FOOTREST HANDLE WELDMENT	1
56	19859G1		SQUARE CAP TUBE, 3/4"	2
57	610631		DECAL.....	1
58	00427G8		HEX HEAD BOLT, 3/8" - 16 X 2" LG.....	4
59	614221		FLAT WASHER, 3/8"	8
60	11098G5		LOCK NUT, 3/8" - 16	4
61	00560G1		FLAT WASHER, 3/8"	8
62	645492		SEAT BOTTOM	1
63	617645		HIP RESTRAINT (DRIVER SIDE)	1
64	617644		HIP RESTRAINT (PASSENGER SIDE)	1
65	615417		BUTTON HEAD TORX BOLT, M10 - 1.5 X 25MM LG	8
66				
67	634184		HANDRAIL KIT, FLIP-FLOP SEAT (INCLUDES ITEMS 56 - 60, 68) (FOR VEHICLES MANUFACTURED FROM MARCH 2014).....	1
68	631485		FOOTREST HANDLE WELDMENT (FOR VEHICLES MANUFACTURED FROM MARCH 2014)	1
69				
70	***		FLIP FLOP SEAT BOTTOM ASSEMBLY (INCLUDES ITEMS 13, 15 - 17, 71) (FOR VEHICLES MANUFACTURED FROM MARCH 2014).....	1
		628058G01	OYSTER	
		628058G03	TAN	
		628058G04	GRAY	
		628058G06	BLACK	
		628058G07	BROWN	
		628058G09	WHITE/BLUE	
		628058G10	RED/BLACK	
		628058G11	WHITE/RED	
		628058G12	WHITE/BLACK	
		628058G13	WHITE/YELLOW	
		628058G14	GRAY/BLACK	
		628058G15	OYSTER/GARNET	

SEATING

When ordering parts, please specify the model and serial number of the product.

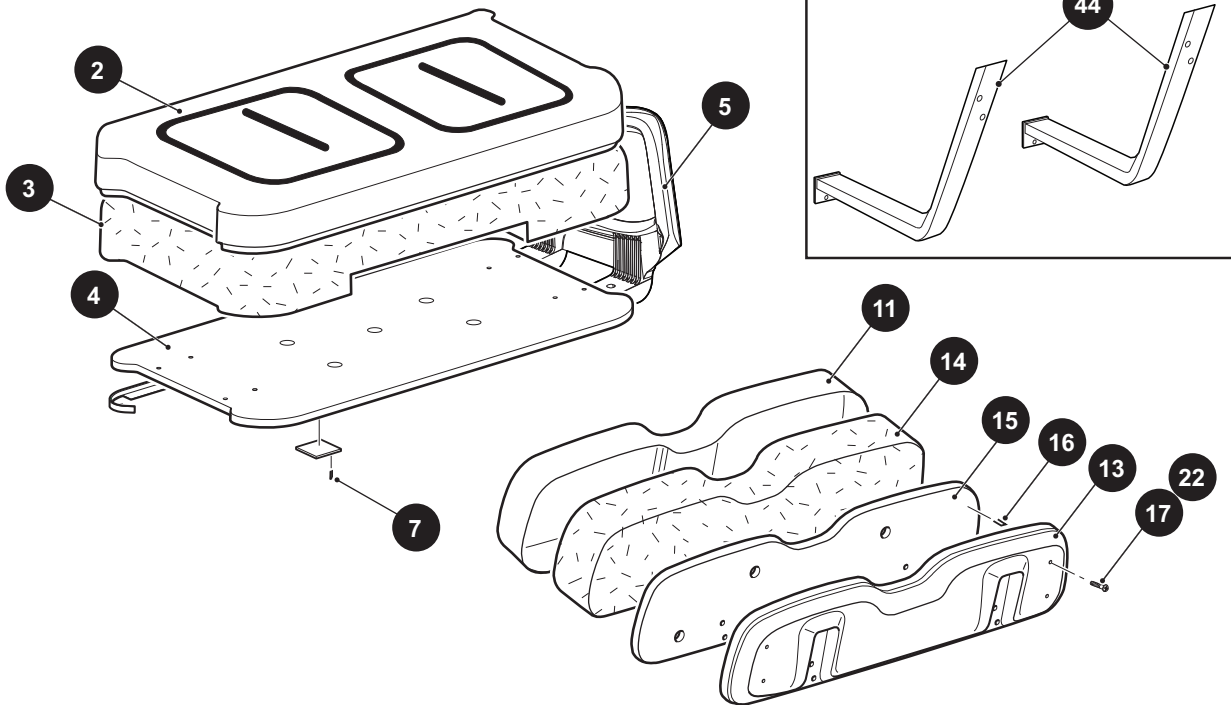
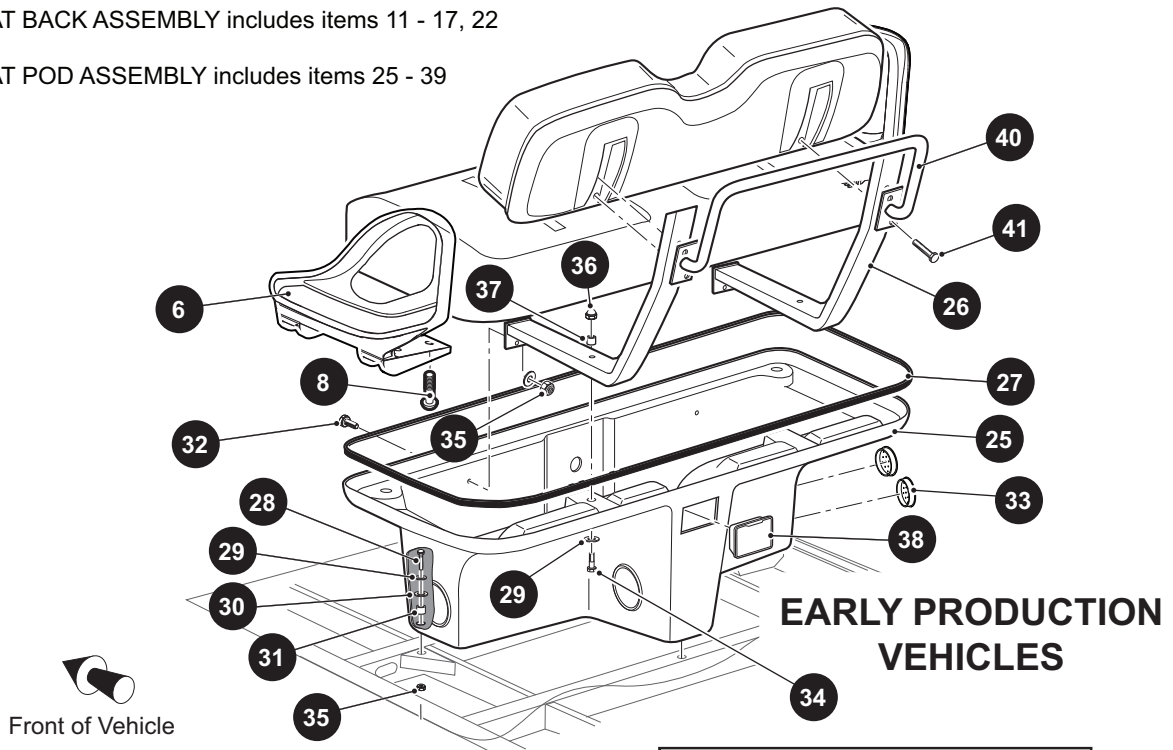
* Indicates a component that is not available as an individual part.

*** Indicates consult Customer Service Department for additional information.

ITEM	PART NO.	1	2	3	4	5	DESCRIPTION	QTY.
71	634190						DECK BOARD ASSEMBLY (FOR VEHICLES MANUFACTURED FROM MARCH 2014).....	1
72	634175						REAR SEAT ARM REST (FOR VEHICLES MANUFACTURED FROM MARCH 2014).....	2
73	634179						FOOTREST WELDMENT (FOR VEHICLES MANUFACTURED FROM MARCH 2014).....	1
74								
75	625525						SEAT SUPPORT WELDMENT (FOR VEHICLES MANUFACTURED FROM MARCH 2014).....	2

SEATING

- 1 SEAT BOTTOM ASSEMBLY includes items 2 - 8
- 10 SEAT BACK ASSEMBLY includes items 11 - 17, 22
- 24 SEAT POD ASSEMBLY includes items 25 - 39



When ordering parts, please specify the model and serial number of the product.

* Indicates a component that is not available as an individual part.

*** Indicates consult Customer Service Department for additional information.

ITEM	PART NO.	1 2 3 4 5	DESCRIPTION	QTY.
1	***		SEAT BOTTOM ASSEMBLY (INCLUDES ITEMS 2 - 8) 629269G0406 BLACK 629269G0410 RED/BLACK 629269G0409 WHITE/BLUE 629269G0403 TAN 629269G0401 OYSTER 629269G0411 WHITE/RED	1
2	***		VINYL SEAT BOTTOM COVER 71624G07 BLACK 604912G0304 RED/BLACK 604912G0102 WHITE/BLUE 71624G04 TAN 71624G03 OYSTER 604912G0103 WHITE/RED 604912G0104 WHITE/BLACK 604912G0108 WHITE/YELLOW 604912G0704 GRAY/BLACK 604912G0506 OYSTER/GARNET 71602G02 GRAY 71602G03 OYSTER 71602G04 TAN 71602G06 BLACK 71602G07 BROWN 71602G05 NSC	1
3	71625G01		SEAT BOTTOM FOAM PADDING.....	1
4	645494		SEAT BOTTOM	1
5	617644		HIP RESTRAINT (PASSENGER SIDE)	1
6	617645		HIP RESTRAINT (DRIVER SIDE)	1
7	23222G1		STAPLE, 3/8" X 3/8"	110
8	615417		BUTTON HEAD TORX BOLT, M10 - 1.5 X 25MM LG	8
9	70864G01		T-KNOB STUD (NOT ILLUSTRATED).....	4
10	***		SEAT BACK ASSEMBLY (INCLUDES ITEMS 11 - 17, 22)..... 71751G07 BLACK 71751G04 TAN 71751G03 OYSTER 606828 RED/BLACK 604908 WHITE/BLUE 604907 WHITE/RED 615837 OYSTER/GARNET 615838 WHITE/BLACK 620794 WHITE/YELLOW 620796 GRAY/BLACK 71751G02 GRAY	1

SEATING

When ordering parts, please specify the model and serial number of the product.

* Indicates a component that is not available as an individual part.

*** Indicates consult Customer Service Department for additional information.

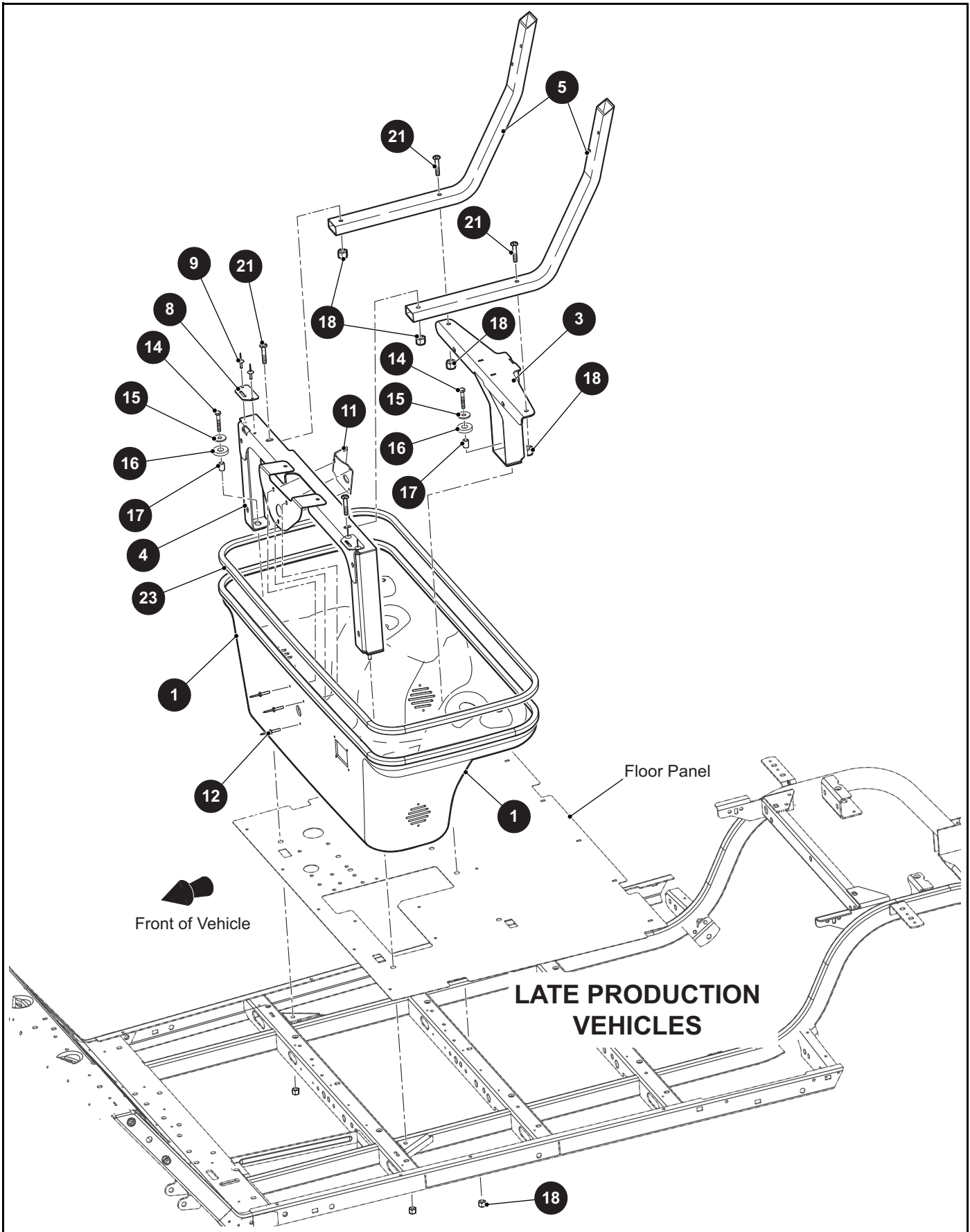
ITEM	PART NO.	1	2	3	4	5	DESCRIPTION	QTY.
							71751G06 BROWN	
11	***						VINYL SEAT BACK COVER 71753G07 BLACK 71753G04 TAN 71753G03 OYSTER 604916G0304 RED/BLACK 604916G0102 WHITE/BLUE 604916G0103 WHITE/RED 604916G0108 WHITE/YELLOW 604916G0704 GRAY/BLACK 604916G0104 WHITE/BLACK 604916G0506 OYSTER/GARNET 71753G02 GRAY 71753G06 BROWN	1
12								
13	71752G01						SEAT BACK REAR COVER (PLASTIC)	1
14	71754G01						SEAT BACK, FOAM PADDING.....	1
15	645021						SEAT BACK BASE.....	1
16	23222G1						STAPLE, 3/8" X 3/8"	95
17	01107G01						PAN HEAD TORX SCREW, #8 X 5/8" LG	4
18								
19								
20								
21								
22	607535						PAN HEAD TORX SCREW, #8 X .88" LG	4
23								
24	620216G0**						SEAT POD ASSEMBLY (INCLUDES ITEMS 25 - 39)	1
25	70836G0**						SEAT POD (see COLOR CODES in HOW TO USE section)	1
26	626576						SEAT BACK SUPPORT WELDMENT	2
27	32805G6						BLACK TRIM.....	1
28	00439G8						HEX HEAD BOLT, 5/16" - 18 X 2" LG	3
29	00675G1						FLAT WASHER (SS), 3/8".....	5
30	71883G01						RUBBER WASHER, 5/8"	3

When ordering parts, please specify the model and serial number of the product.

* Indicates a component that is not available as an individual part.

*** Indicates consult Customer Service Department for additional information.

ITEM	PART NO.	1 2 3 4 5	DESCRIPTION	QTY.
31	23726G9		SPACER, 3/4"	3
32	00976G06		TRUSS HEAD PHILLIPS SCREW (SS), 5/16" - 18 X 3/4" LG	2
33	71599G01		VENT PLUG	4
34	00427G8		HEX HEAD BOLT, 3/8" - 16 X 2" LG.....	2
35	11098G6		LOCK NUT (SS), 5/16" - 18.....	5
36	15717G5		ACORN NUT, 3/8" - 16	2
37	23726G4		SPACER, 5/16"	2
38	27731G01		ASHTRAY, FLUSH MOUNTED PLASTIC	1
39	71055G01		RIVET, 3/16" (NOT ILLUSTRATED)	3
40	71632G01		HANDGRIP WELDMENT.....	1
41	71204G02		HEX HEAD BOLT, 1/4" - 20 X 2" LG	4
42	605869		MOUNTING BRACKET (NOT ILLUSTRATED).....	1
43				
44	71868G01		SEAT BACK SUPPORT WELDMENT	2



When ordering parts, please specify the model and serial number of the product.

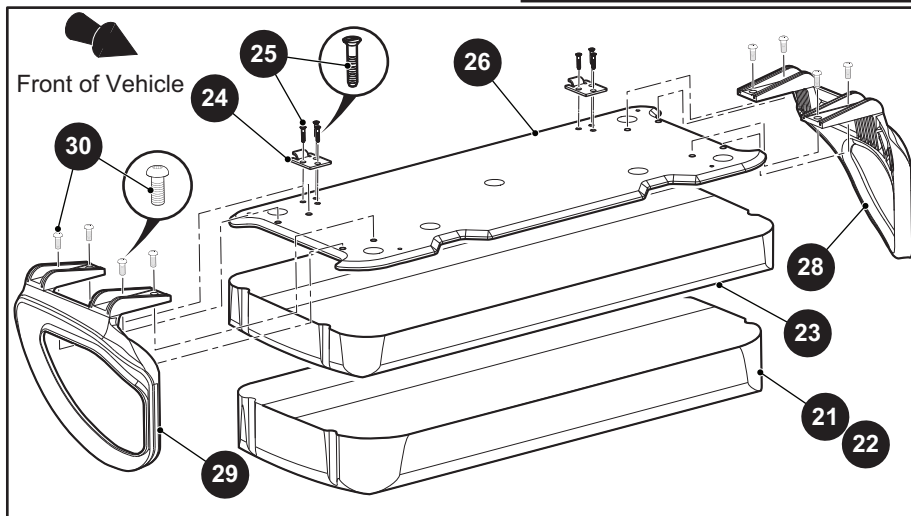
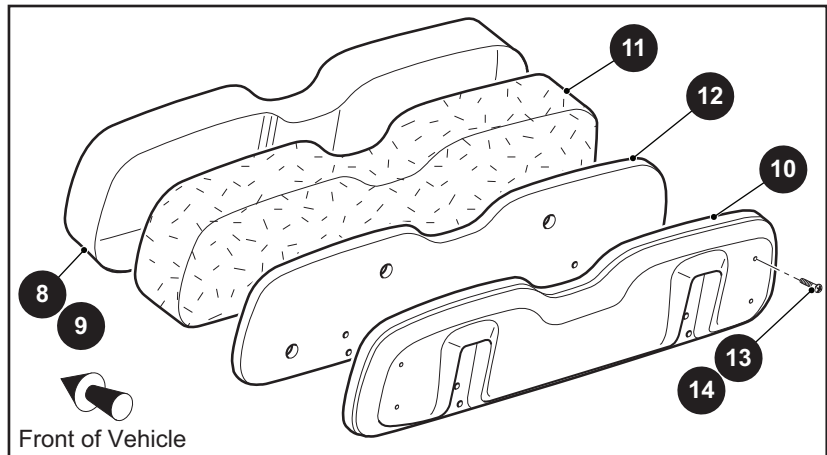
* Indicates a component that is not available as an individual part.

*** Indicates consult Customer Service Department for additional information.

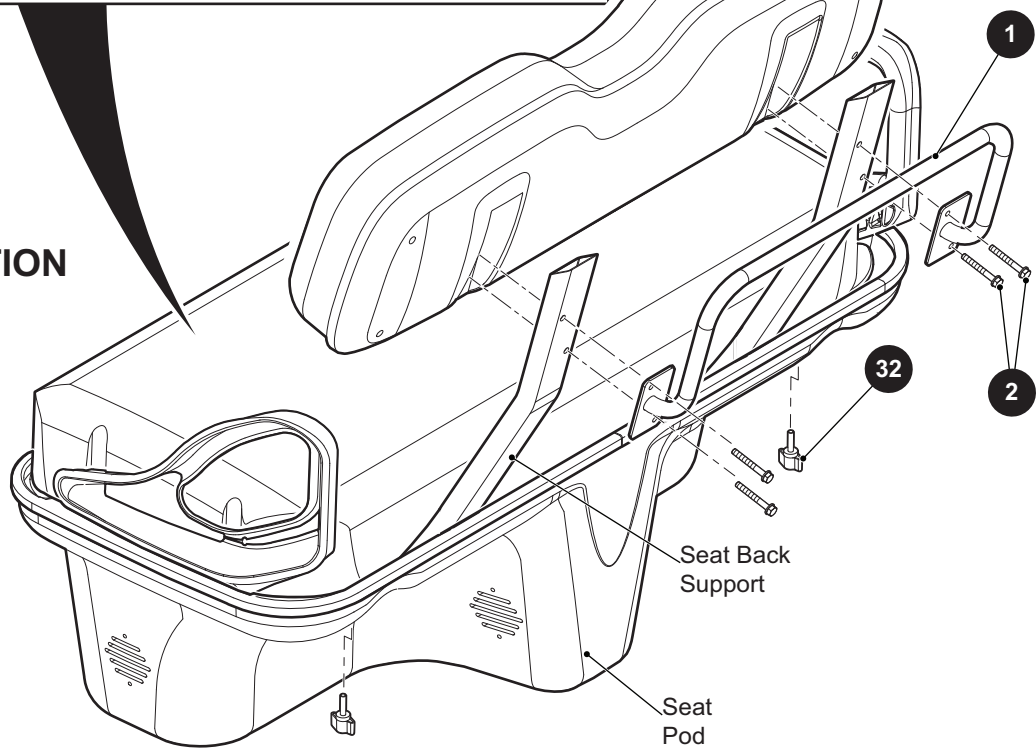
ITEM	PART NO.	1 2 3 4 5	DESCRIPTION	QTY.
1	648313GXX		SEAT POD	1
2				
3	657681		REAR SEAT SUPPORT	1
4	654767		SEAT SUPPORT	1
5	648523		SEAT BACK SUPPORT TUBE	2
6				
7				
8	71609G01		HINGE PLATE.....	2
9	10570G11		RIVET (SS), 3/16" X .70" LG.....	4
10				
11	605869		DIRECTION SELECTOR MOUNTING BRACKET	1
12	71055G01		RIVET (ALUMINUM), 3/16" X 1" LG	3
13				
14	00439G8		HEX HEAD BOLT (SS), 5/16" - 18 X 2" LG	3
15	00675G1		WASHER (SS), .398" I.D. X 1.25" O.D. X .115" LG	3
16	71883G01		WASHER (RUBBER), .625" I.D. X 1.50" O.D. X .312" LG.....	3
17	23726G9		SPACER, .312" I.D. X .562" O.D. X .750" LG	3
18	11098G6		LOCK NUT, 5/16" - 18.....	7
19				
20				
21	00762G6		TRUSS HEAD PHILLIPS SCREW (SS), 5/16" - 18 X 3/4" LG.....	4
22				
23	32805G6		TRIM, 118" LG	1

SEATING

- 6** SEAT BACK ASSEMBLY
includes items 8, 10 - 13
- 7** SEAT BACK ASSEMBLY
includes items 9 - 12, 14
- 17** SEAT BOTTOM ASSEMBLY
includes items 22 - 30
- 18** SEAT BOTTOM ASSEMBLY
includes items 21, 23 - 30



LATE PRODUCTION VEHICLES



When ordering parts, please specify the model and serial number of the product.

* Indicates a component that is not available as an individual part.

*** Indicates consult Customer Service Department for additional information.

ITEM	PART NO.	1 2 3 4 5	DESCRIPTION	QTY.
1	71632G01		HAND GRIP WELDMENT.....	1
2	71204G02		MACHINE SCREW WITH PATCH LOCK, 1/4" - 20 X 2" LG.....	4
3				
4				
5				
6	***		SEAT BACK ASSEMBLY (INCLUDES ITEM 8, 10 - 13)..... 606828 RED/BLACK 604908 WHITE/BLUE 604907 WHITE/RED 615838 WHITE/BLACK 620794 WHITE/YELLOW 620796 GRAY/BLACK 615837 OYSTER/GARNET	2
7	***		SEAT BACK ASSEMBLY (INCLUDES ITEM 9 - 12, 14)..... 71751G02 GRAY 71751G03 OYSTER 71751G04 TAN 71751G06 BROWN 71751G07 BLACK	2
8	***		VINYL SEAT BACK COVER..... 604916G0304 RED/BLACK 604912G0102 WHITE/BLUE 604912G0103 WHITE/RED 604916G0104 WHITE/BLACK 604916G0108 WHITE/YELLOW 604916G0704 GREY/BLACK 604916G0506 OYSTER/GARNET	1
9	***		VINYL SEAT BACK COVER..... 71753G01 WHITE 71753G03 OYSTER 71753G04 TAN 71753G06 BROWN 71753G07 BLACK	1
10	71752G01		REAR SEAT BACK COVER.....	1
11	71754G01		SEAT BACK PADDING	1
12	645021		SEAT BACK BASE	1
13	648271		PAN HEAD TORX SCREW (SS), #8 - 15 X 1" LG	4
14	01107G01		PAN HEAD TORX SCREW (SS), #8 X .63" LG.....	4
15				
16				

SEATING

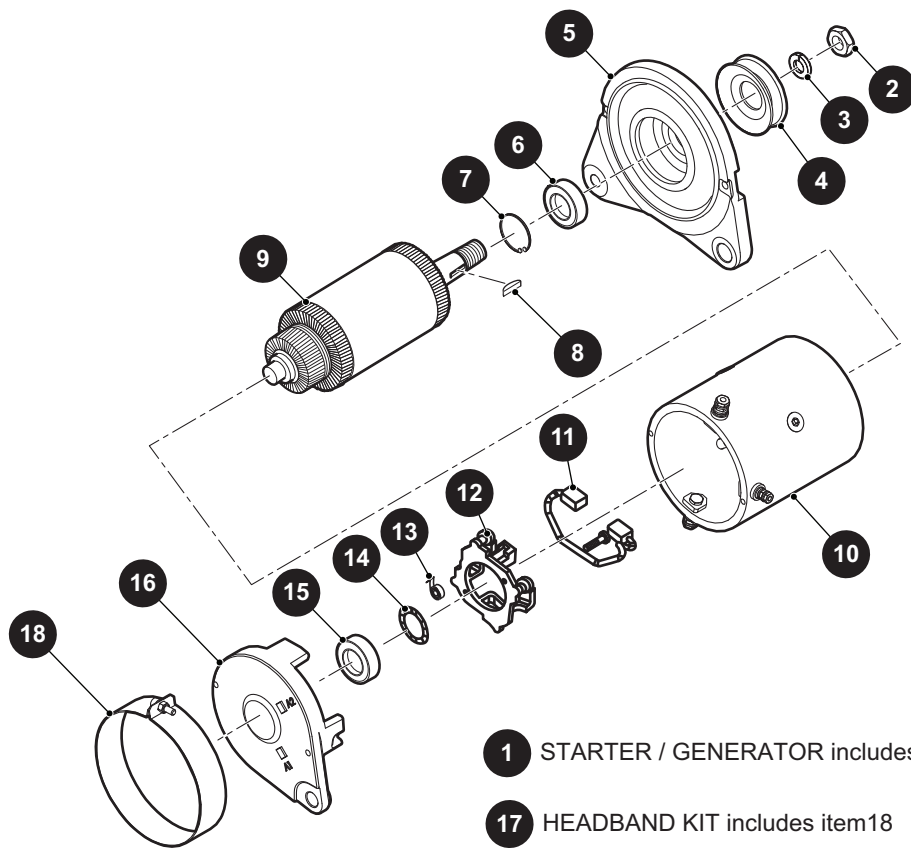
When ordering parts, please specify the model and serial number of the product.

* Indicates a component that is not available as an individual part.

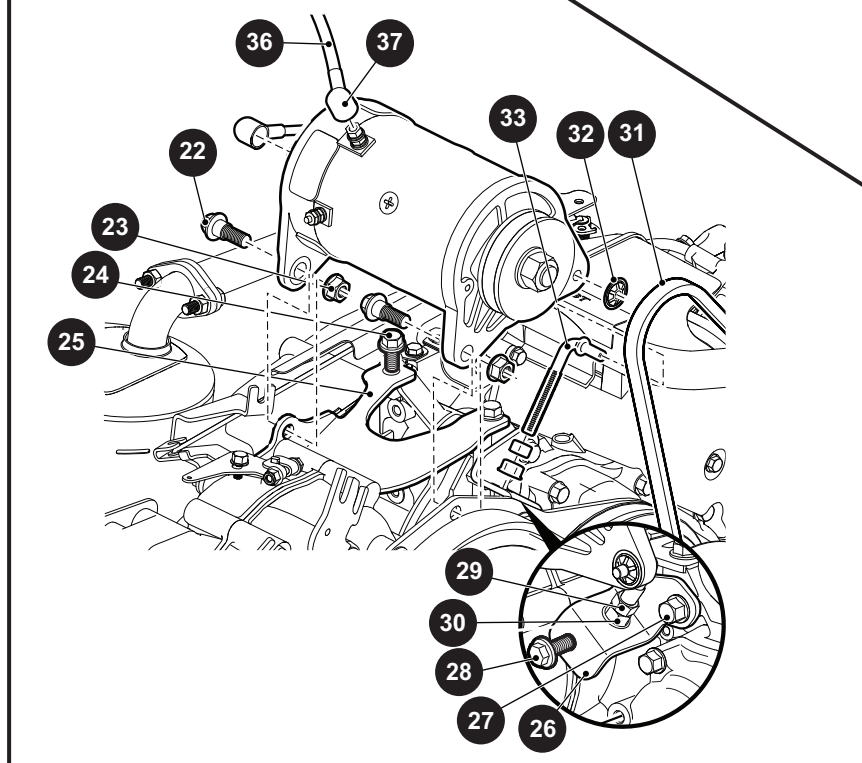
*** Indicates consult Customer Service Department for additional information.

ITEM	PART NO.	1	2	3	4	5	DESCRIPTION	QTY.
17	***						SEAT BOTTOM ASSEMBLY (INCLUDES ITEM 22 - 30) 629269G1701 OYSTER 629269G1703 TAN 629269G1704 GRAY 629269G1706 BLACK 629269G1707 BROWN	1
18	***						SEAT BOTTOM ASSEMBLY (INCLUDES ITEM 21, 23 - 30) 629269G1709 WHITE/BLUE 629269G1710 RED/BLACK 629269G1711 WHITE/RED 629269G1712 WHITE/BLACK 629269G1713 WHITE/YELLOW 629269G1714 GRAY/BLACK 629269G1715 OYSTER/GARNET	1
19								
20								
21	***						VINYL SEAT COVER 604912G0102 WHITE/BLUE 604912G0103 WHITE/RED 604916G0104 WHITE/BLACK 604916G0108 WHITE/YELLOW 604916G0304 RED/BLACK 604916G0506 OYSTER/GARNET 604916G0704 GREY/BLACK	1
22	***						VINYL SEAT COVER 71624G03 OYSTER 71624G04 TAN 71624G02 GRAY 71624G07 BLACK 71624G06 BROWN	1
23	71625G01						SEAT BOTTOM PADDING.....	1
24	71610G01						SEAT HINGE.....	2
25	00720G08						FLAT HEAD PHILLIPS SCREW, #12 -14 X 1" LG	6
26	649851						SEAT BOTTOM BASE	1
27								
28	617645						HIP RESTRAINT (DRIVER SIDE)	1
29	617644						HIP RESTRAINT (PASSENGER SIDE).....	1
30	615417						BUTTON HEAD TORX BOLT, M10 - 1.5 X 25MM LG	8
31								
32	70864G01						T-KNOB STUD, 1/4" - 20 X 1" LG	2

STARTER / GENERATOR

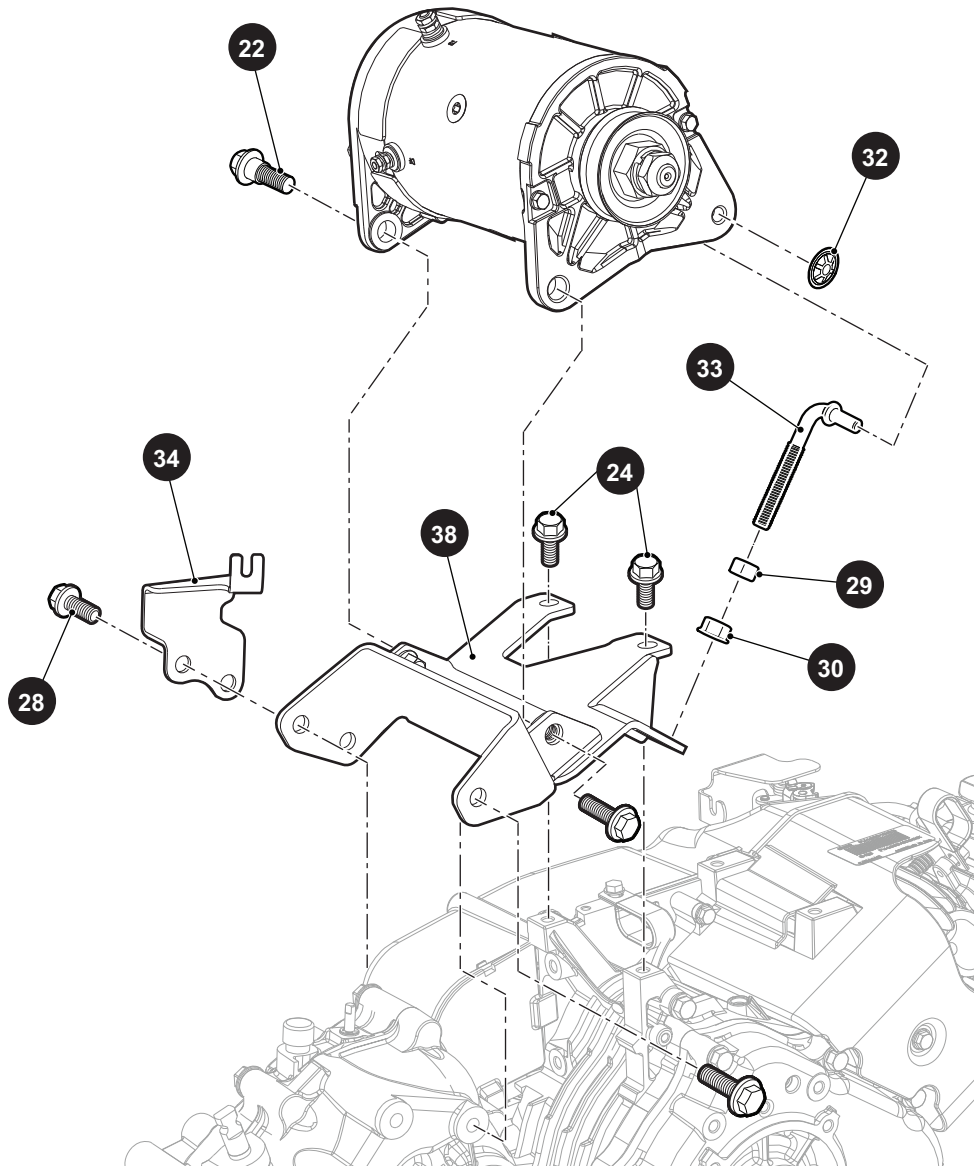


STARTER/GENERATOR MOUNTING



STARTER / GENERATOR

FOR VEHICLES MANUFACTURED FROM APRIL 2014



STARTER / GENERATOR

When ordering parts, please specify the model and serial number of the product.

* Indicates a component that is not available as an individual part.

*** Indicates consult Customer Service Department for additional information.

ITEM	PART NO.	1 2 3 4 5	DESCRIPTION	QTY.
1	660379		STARTER / GENERATOR (INCLUDES ITEMS 2 - 17)	1
2	612029		HEX NUT	1
3	612030		LOCK WASHER.....	1
4	625716		PULLEY, 2.5" O.D.	1
5	654715		DRIVE END HEAD.....	1
6	612033		BEARING	1
7	612034		RETAINING RING.....	1
8	612035		WOODRUFF KEY	1
9	612036		ARMATURE ASSEMBLY	1
10	654716		FRAME AND FIELD ASSEMBLY	1
11	612038		BRUSH LEAD AND TERMINAL PACKAGE.....	1
12	654717		BRUSH BOX ASSEMBLY	1
13	656659		BRUSH SPRING.....	4
14	612043		WAVY WASHER	1
15	612044		BEARING	1
16	612045		COMMUTATOR END HEAD	1
17	658172		HEADBAND KIT (INCLUDES ITEM 18)	1
18	654718		HEADBAND.....	1
19				
20				
21				
22	606235		FLANGED HEX HEAD SHOULDER BOLT - M10 - 1.25 X 20	2
23	606279		NUT, M10 - 1.25	2
24	606261		BOLT, M8 - 1.25 X 20MM LG	3
25	602141		STARTER / GENERATOR BRACKET	1
26	602145		TENSIONER BRACKET.....	1
27	606261		BOLT, M8 - 1.25 X 20MM LG	1
28	606256		BOLT, M10 - 1.25 X 25MM LG	1
29	606255		NUT, M10 - 1.25	1
30	606274		NUT, M10 - 1.25	1
31	630587		STARTER / GENERATOR BELT	1

STARTER / GENERATOR

When ordering parts, please specify the model and serial number of the product.

* Indicates a component that is not available as an individual part.

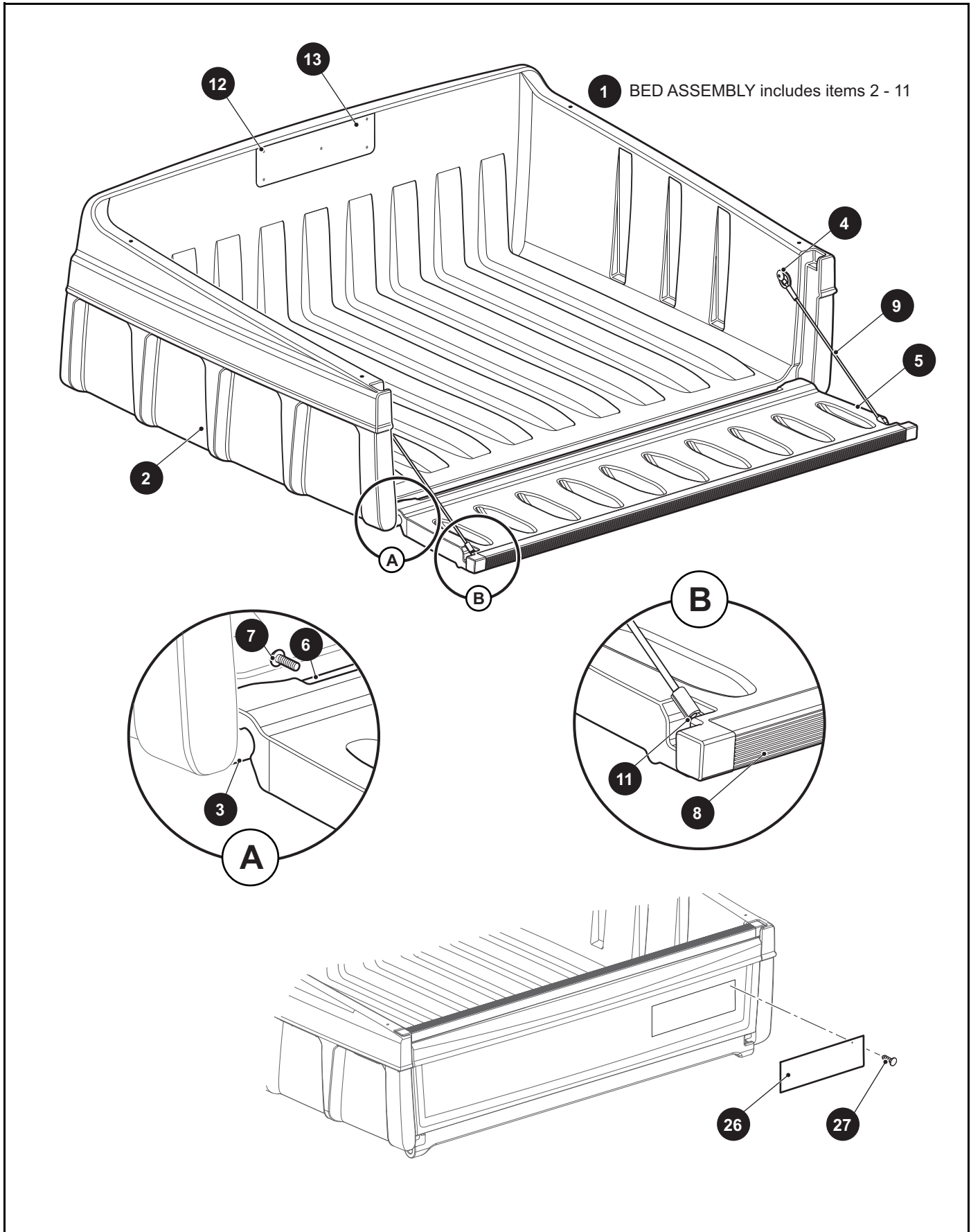
*** Indicates consult Customer Service Department for additional information.

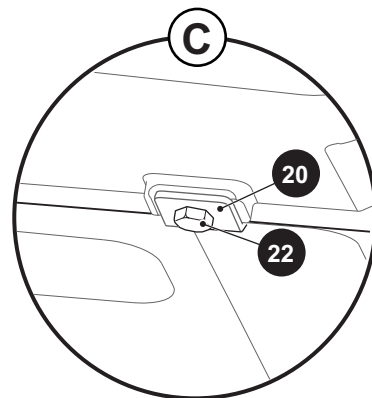
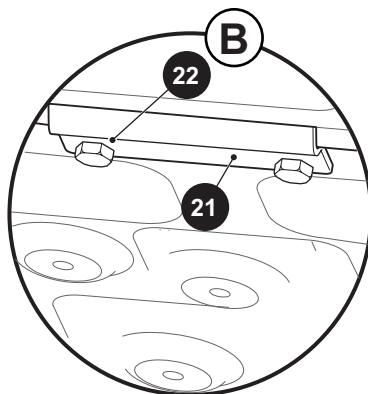
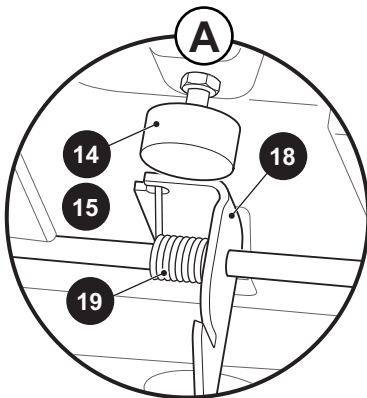
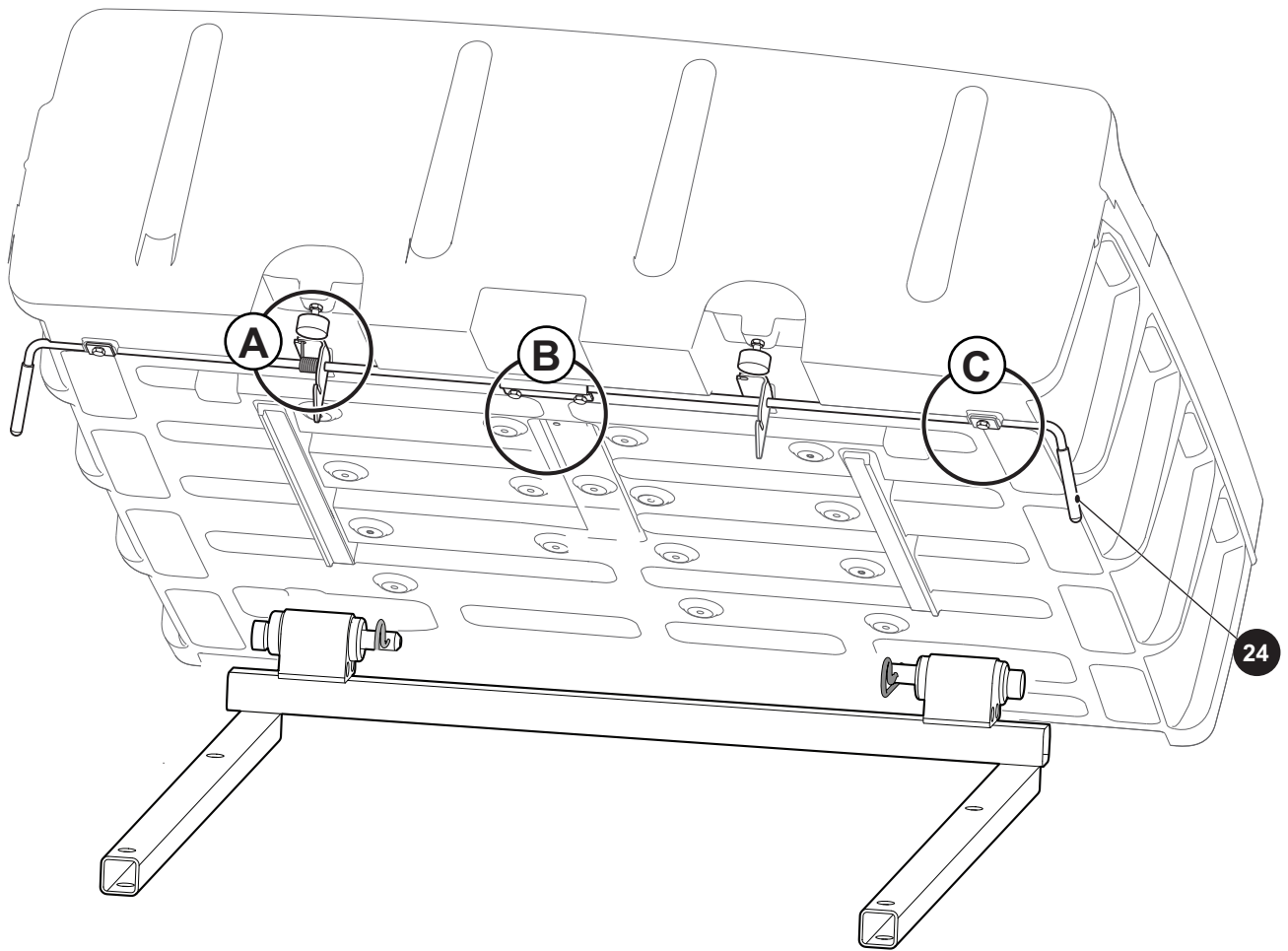
ITEM	PART NO.	1 2 3 4 5	DESCRIPTION	QTY.
32	12064G6		PUSH NUT, 5/16"	1
33	629763		TENSIONER BOLT	1
34	603884		CABLE GUIDE BRACKET	1
35				
36	607103		WIRE ASSEMBLY, 6 AWG, 42" LG	1
37	25682G01		RUBBER BOOT	3
38	631972		STARTER / GENERATOR SUPPORT BRACKET (FOR VEHICLES MANUFACTURED FROM APRIL 2014).....	1

Notes:

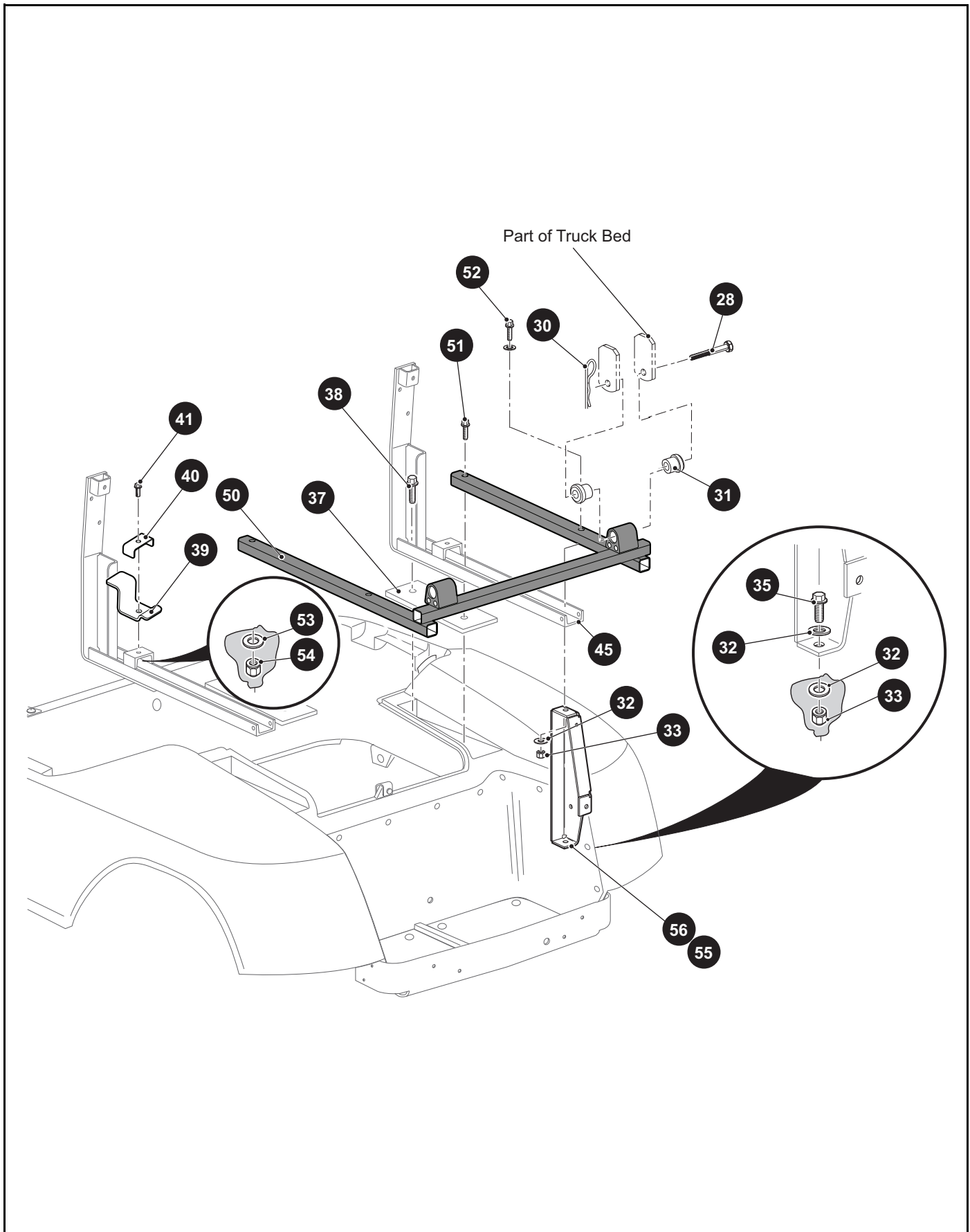
A large grid of graph paper, consisting of 24 columns and 30 rows of small squares, intended for taking notes.

TRUCK BED





TRUCK BED



When ordering parts, please specify the model and serial number of the product.

* Indicates a component that is not available as an individual part.

*** Indicates consult Customer Service Department for additional information.

ITEM	PART NO.	1 2 3 4 5	DESCRIPTION	QTY.
1	72647G01		BED ASSEMBLY (INCLUDES ITEMS 2 -11)	1
2	72648G01		PLASTIC BED, 36"	1
3	73454G01		PIVOT SHAFT	2
4	73460G01		SHOULDER BOLT, 1/4" - 20 X 3/4" LG	2
5	72649G01		TAILGATE	1
6	73450G01		BOWED ANGLE	1
7	16705G2		PAN HEAD PHILLIPS SCREW (SS), 1/4" - 20 X 5/8" LG	4
8	73449G01		TAILGATE CAP	1
9	73455G02		TAILGATE CABLE	1
10				
11	00415G2		HEX HEAD CAP SCREW, 1/4" - 20 X 1 1/4" LG	2
12	74821G01		LOAD BED DECAL	1
13	71055G01		RIVET, 3/16" X .38"	5
14	70113G01		ADJUSTABLE RUBBER BUMPER	2
15	11027G1		LOCK NUT, 5/16" - 18	2
16				
17				
18	607072		BED LATCH	1
19	71538G01		LATCH TORSION SPRING	1
20	652442G03		KEEPER PLATE	2
21	652440G03		RETAINER BRACKET	1
22	01118G01		HEX HEAD CAP SCREW, 1/4" - 20 X 5/8" LG	4
23				
24	71704G01		HANDLE GRIP	2
25				
26	600821		E-Z-GO LABEL	1
27	71571G01		CLEVIS PIN	2
28				
29				
30	21683G1		COTTER PIN, 5/32" X 2 13/16"	2
31	624030		FLANGED BUSHING	4

TRUCK BED

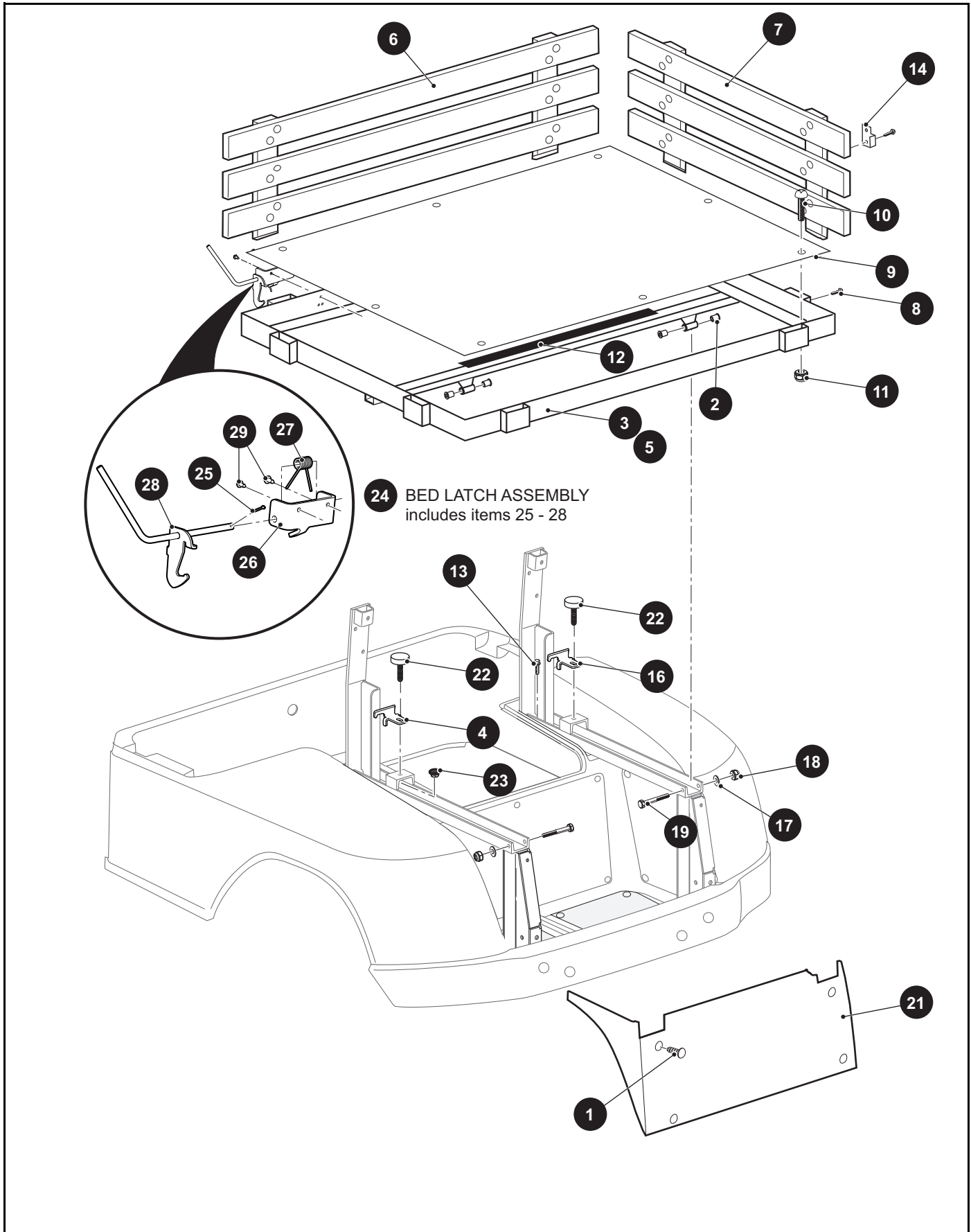
When ordering parts, please specify the model and serial number of the product.

* Indicates a component that is not available as an individual part.

*** Indicates consult Customer Service Department for additional information.

ITEM	PART NO.	1 2 3 4 5	DESCRIPTION	QTY.
32	00560G01		FLAT WASHER, 3/8"	8
33	11098G5		LOCK NUT, 3/8" - 16	4
34				
35	00427G4		HEX HEAD BOLT, 3/8" - 16 X 1 1/2"	2
36				
37	70364G01		SPACER	2
38	01006G02		HEX HEAD BOLT, 3/8" - 16 X 1 1/2" LG (FOR VEHICLES WITH PLASTIC BED OPTION)	2
39	606167		FRONT BED SUPPORT.....	2
40	607093		BED SUPPORT BRACKET	2
41	00439G1		HEX HEAD CAP SCREW 5/16"- 18 X 1 1/8" LG.....	2
42				
43				
44				
45	74111G01		SEAT SUPPORT	2
46				
47				
48				
49				
50	606112		BED FRAME.....	1
51	01075G01		HEX HEAD BOLT, 3/8" - 16 X 2.5" LG.....	2
52	00427G8		HEX HEAD BOLT, 3/8" - 16 X 2" LG.....	2
53	00559G8		FLAT WASHER, 5/16"	2
54	11098G6		LOCK NUT, 3/8" - 16	2
55	74126G01		REAR SUPPORT FRAME (DRIVER SIDE)	1
56	74126G02		REAR SUPPORT FRAME (PASSENGER SIDE)	1

TRUCK BED



When ordering parts, please specify the model and serial number of the product.

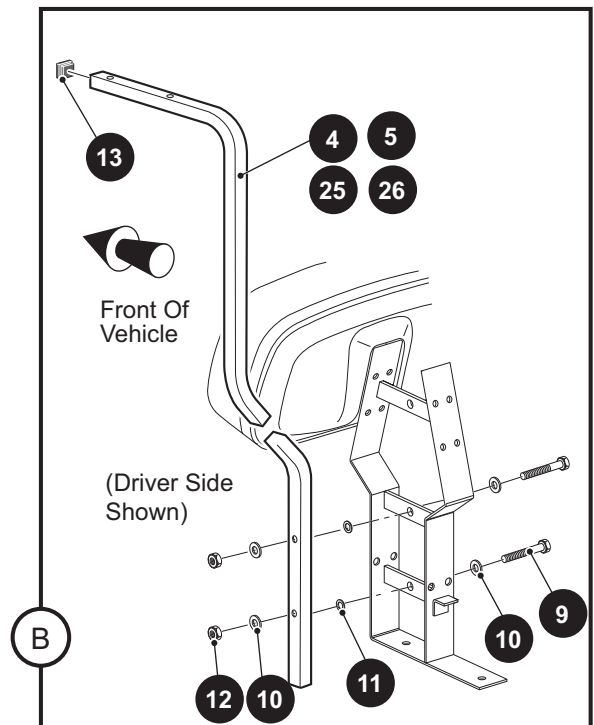
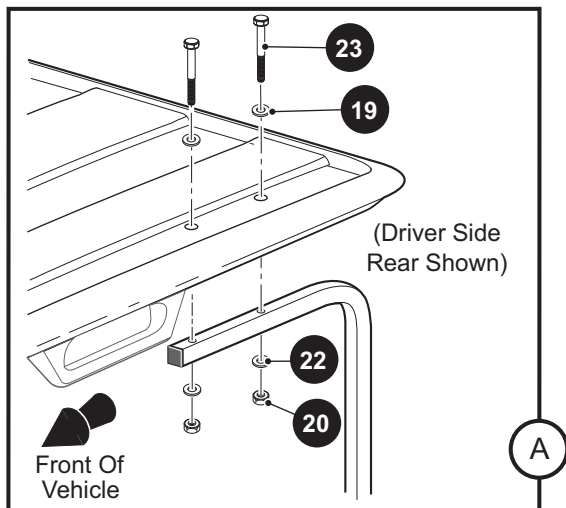
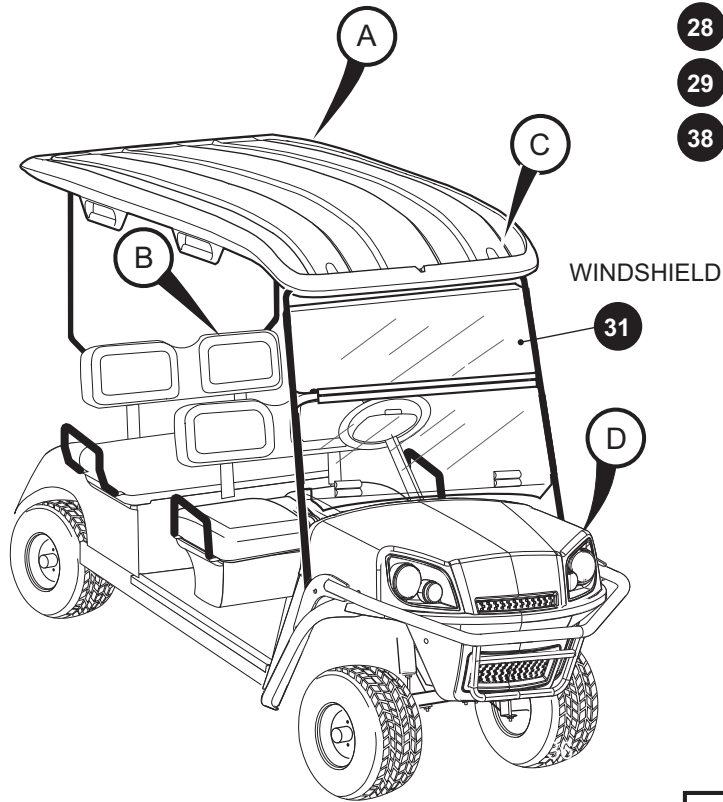
* Indicates a component that is not available as an individual part.

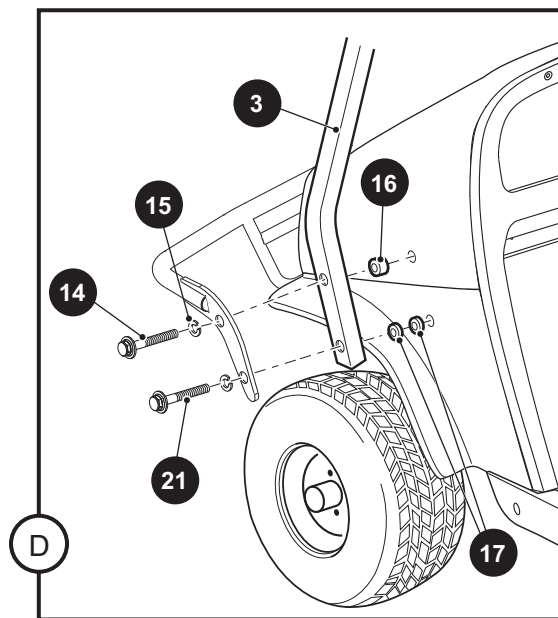
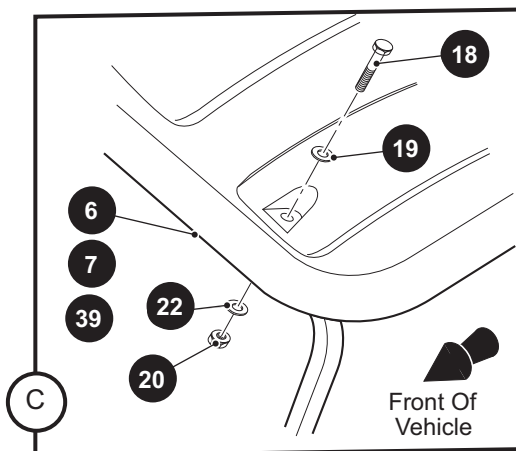
*** Indicates consult Customer Service Department for additional information.

ITEM	PART NO.	1 2 3 4 5	DESCRIPTION	QTY.
1	16816G2		RIVET, 1/4" X 3/4"	4
2	17838G1		NYLON BUSHING	4
3	74080G01		CARGO DECK.....	1
4	72914G01		LATCH BRACKET (DRIVER SIDE)	1
5	635862		CARGO DECK (FOR VEHICLES MANUFACTURED FROM MARCH 2014)	1
6	34280G02		FRONT/REAR CARGO RACK.....	2
7	34280G01		SIDE CARGO RACK.....	2
8	00666G6		TAPPING SCREW (SS), #10 - 12 X 3/4" LG	10
9	655936		CARGO DECKBOARD	1
10	16705G9		HEX HEAD BOLT, 1/4" - 20 X 1.25" LG	8
11	14390G4		LOCK NUT, 1/4" - 20.....	8
12	23052G1		NOISE SUPPRESSOR.....	1
13	01006G01		HEX WASHER HEAD BOLT, 3/8" - 16 X 1 1/4" LG	4
14	74079G02		TAILGATE RETAINER BRACKET	2
15				
16	72914G02		LATCH BRACKET (PASSENGER SIDE).....	1
17	00559G8		FLAT WASHER, 5/16".....	2
18	11098G6		LOCK NUT (SS), 5/16" - 18	2
19	00440G4		HEX HEAD BOLT, 5/16" - 18 X 2 1/2" LG	2
20				
21	74149G01		PANEL.....	1
22	70113G01		ADJUSTABLE RUBBER BUMPER.....	2
23	11027G1		LOCK NUT, 5/16" - 18.....	4
24	72913G01		BED LATCH ASSEMBLY (INCLUDES ITEMS 25 - 28).....	1
25	10387G3		COTTER PIN.....	1
26	74509G01		PIVOT BRACKET	1
27	70681G01		TORSION SPRING.....	1
28	72912G01		LONG BED LATCH.....	1
29	00100G6		HEX HEAD BOLT, # 10 - 16 X 3/4" LG	2

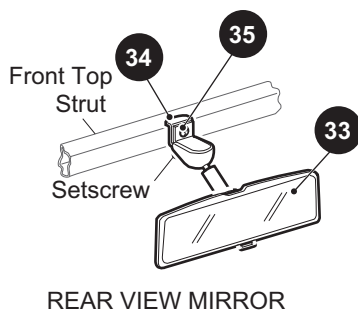
WEATHER PROTECTION

- 1 SUN TOP KIT, BLACK includes items 3 - 6, 8
- 2 SUN TOP KIT, WHITE includes items 3 - 5, 7, 8
- 28 SUN TOP KIT, WHITE includes items 3, 7, 8 - 26
- 29 SUN TOP KIT, BLACK includes items 3, 6, 8 - 26
- 38 SUN TOP KIT, TAN includes items 3, 8 - 26, 39





32 REAR VIEW MIRROR KIT includes items 33 - 35



WEATHER PROTECTION

When ordering parts, please specify the model and serial number of the product.

* Indicates a component that is not available as an individual part.

*** Indicates consult Customer Service Department for additional information.

ITEM	PART NO.	1 2 3 4 5	DESCRIPTION	QTY.
1	607305		SUN TOP KIT, BLACK (INCLUDES ITEMS 3 - 6, 8)	1
2	607581		SUNTOP KIT, WHITE (INCLUDES ITEMS 3 - 5, 7, 8)	1
3	75488G01		FRONT SUPPORT	1
4	75487G02		REAR SUPPORT (DRIVER SIDE)	1
5	75487G01		REAR SUPPORT (PASSENGER SIDE)	1
6	607258		SUN TOP, BLACK	1
7	607580		SUNTOP, WHITE	1
8	608138		SUN TOP HARDWARE KIT (INCLUDES ITEMS 9 - 23)	1
9	00665G5		HEX HEAD BOLT (SS), 3/8" - 16 X 3/4" LG	4
10	00679G1		FLAT WASHER (SS), 3/8"	8
11	00771G5		NYLON WASHER, 3/8"	4
12	00891G5		LOCK NUT, 3/8" - 16	4
13	19853G1		END CAP, 1" SQ	2
14	01035G02		HEX HEAD BOLT, 5/16" - 18 X 2 1/2" LG	2
15	00565G8		LOCK WASHER, 5/16"	4
16	75048G01		SPACER, 1/2"	2
17	00879G1		LOCK WASHER, 3/8"	4
18	00685G10		SCREW,	2
19	00907G2		FLAT WASHER, 5/16"	6
20	11098G6		LOCK NUT, 5/16" - 18	6
21	00440G2		HEX HEAD BOLT, 5/16" - 18 X 2 1/4" LG	2
22	00660G8		FLAT WASHER, 5/16"	6
23	00685G11		HEX HEAD BOLT, 5/16" - 18 X 3 1/4" LG	4
24				
25	617943		REAR SUPPORT (DRIVER SIDE)	1
26	617942		REAR SUPPORT (PASSENGER SIDE)	1
27				
28	617947		SUNTOP KIT, WHITE (INCLUDES ITEMS 3, 7, 8 - 26)	1
29	617950		SUN TOP KIT, BLACK (INCLUDES ITEMS 3, 6, 8 - 26)	1
30				
31	607255		WINDSHIELD KIT	1

WEATHER PROTECTION

When ordering parts, please specify the model and serial number of the product.

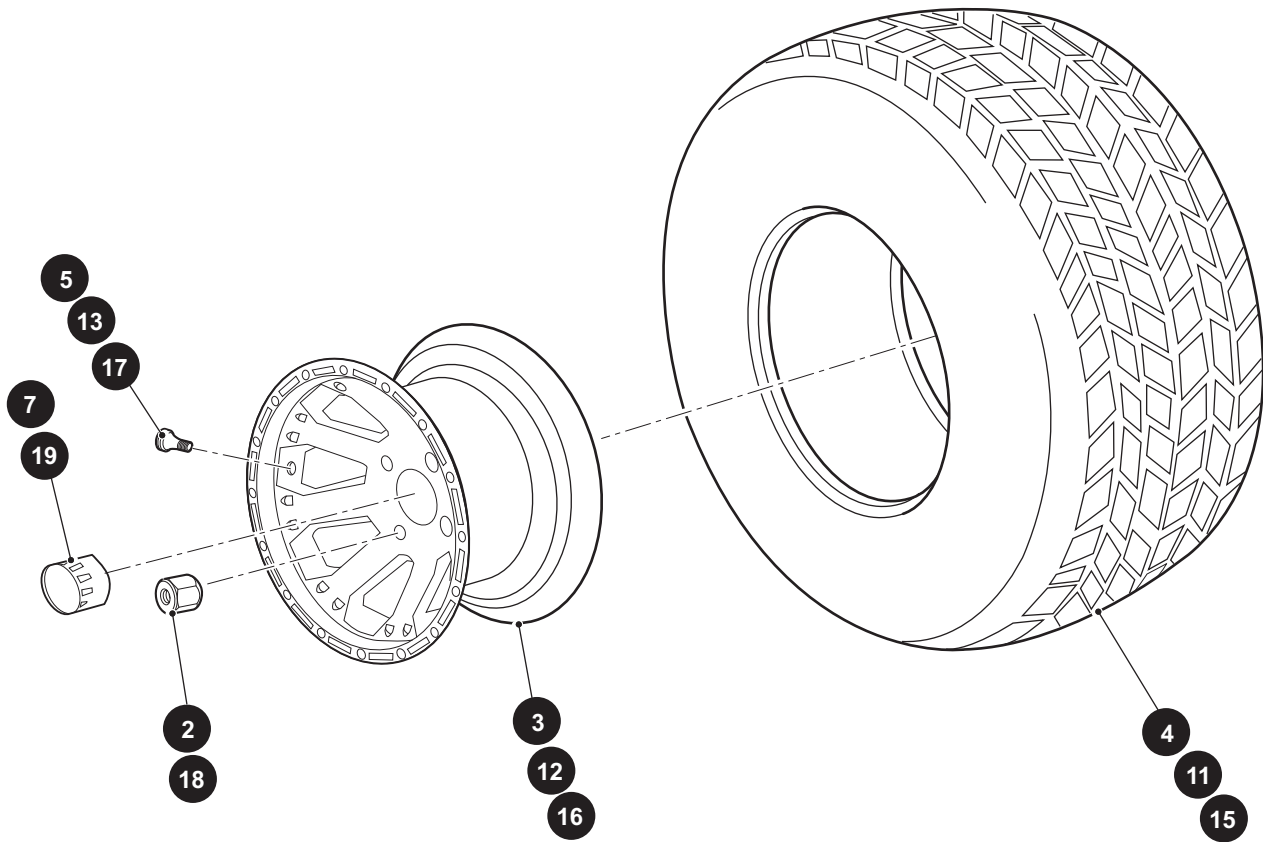
* Indicates a component that is not available as an individual part.

*** Indicates consult Customer Service Department for additional information.

ITEM	PART NO.	1 2 3 4 5	DESCRIPTION	QTY.
32	19528G2		REAR VIEW MIRROR KIT (INCLUDES ITEMS 33 - 35)	1
33	19496G1		REAR VIEW MIRROR	1
34	19502G2		SUPPORT BRACKET	1
35	19527G1		HEX HEAD BOLT (SS), # 8 - 32 X 5/8" LG	1
36				
37				
38	643404		SUN TOP KIT, TAN (INCLUDES ITEMS 3, 8 - 26, 39)	1
39	643212		SUN TOP, TAN	1

WHEELS AND TIRES

- 1 DESERT EAGLE WHEEL AND TIRE ASSEMBLY, DRIVER SIDE includes items 3 - 5
- 2 DESERT EAGLE WHEEL AND TIRE ASSEMBLY, PASSENGER SIDE includes items 3 - 5
- 10 SPEEDRACER TIRE AND WHEEL, 10X7, DRIVER SIDE includes items 11 - 14
- 14 SPEEDRACER TIRE AND WHEEL, 10X7, PASSENGER SIDE includes items 15 - 17



(Style of tire may differ from tire shown)

WHEELS AND TIRES

When ordering parts, please specify the model and serial number of the product.

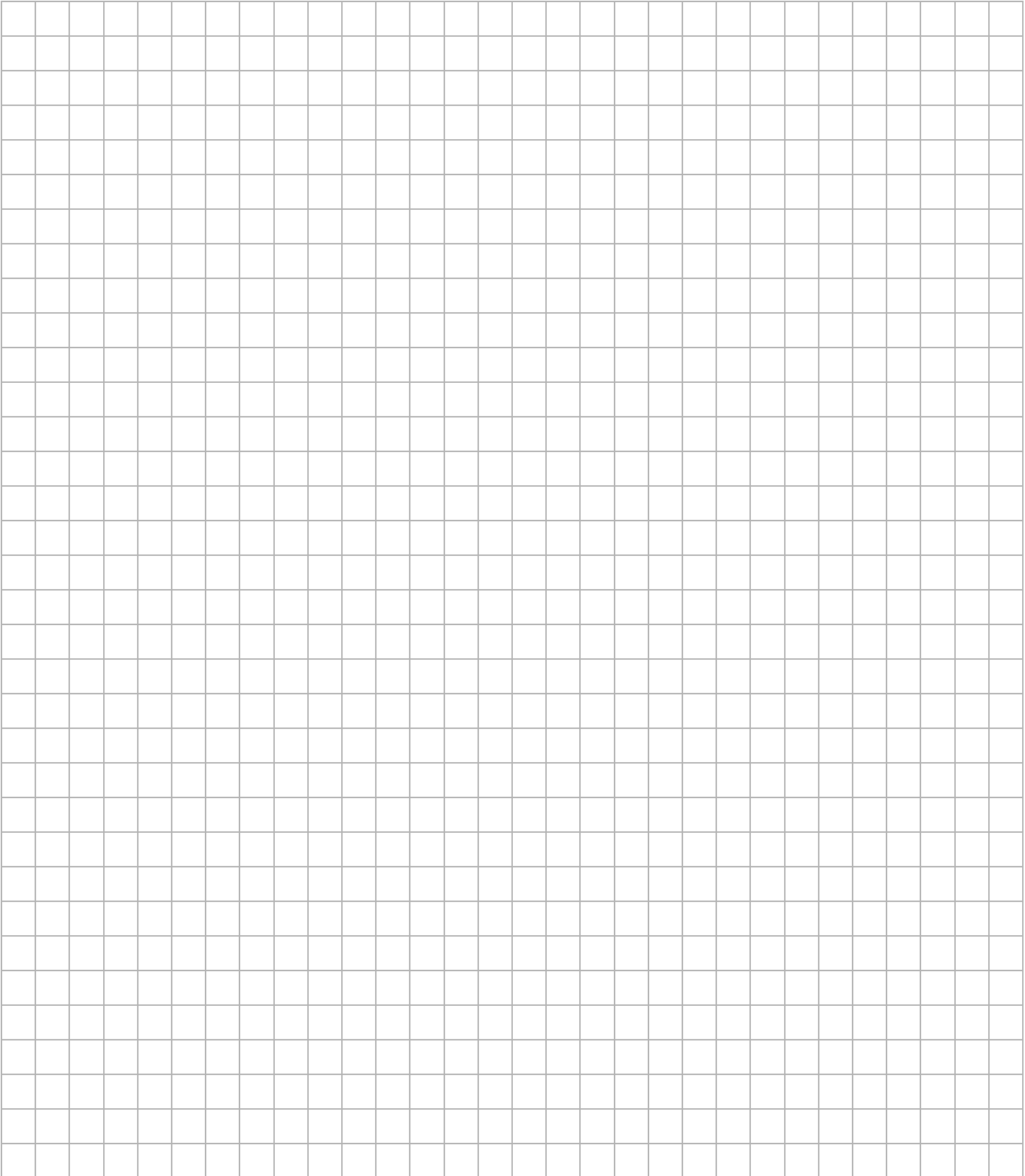
* Indicates a component that is not available as an individual part.

*** Indicates consult Customer Service Department for additional information.

ITEM	PART NO.	1 2 3 4 5	DESCRIPTION	QTY.
1	671955G01		DESERT EAGLE WHEEL AND TIRE ASSEMBLY, DRIVER SIDE (INCLUDES ITEMS 3 - 5)	AR
2	671955G02		DESERT EAGLE WHEEL AND TIRE ASSEMBLY, PASSENGER SIDE (INCLUDES ITEMS 3 - 5)	AR
3	670078		WHEEL, 14 X 7	1
4	671459		TIRE, 23 X 10 - 14.....	1
5	604915		VALVE STEM.....	1
6				
7	605310		LUG NUT, 1/2" - 20	16
8	608910		DIAMOND WHEEL CAP	1
9				
10	606240		SPEEDRACERTIREANDWHEEL, 10X7, DRIVERSIDE (INCLUDES ITEMS 21-23) (MUST USE ITEM 28 LUG NUTS, ORDER SEPARATELY).....	2
11	606139		SPEED RACER, 10X7 DRIVER SIDE	1
12	606152		WHEEL, 10" DIAMOND FINISHED WHEEL	1
13	604915		VALVE STEM, CHROME	1
14	606179		SPEEDRACER TIRE AND WHEEL, 10X7, PASSENGER SIDE (INCLUDES ITEMS 25-27) (MUST USE ITEM 28 LUG NUTS, ORDER SEPARATELY).....	2
15	606139		SPEED RACER, 10X7 DRIVER SIDE	1
16	606152		WHEEL, 10 " DIAMOND FINISHED WHEEL	1
17	604915		VALVE STEM, CHROME	1
18	605310		LUG NUT, 1/2" - 20.....	4
19	608910		DIAMOND WHEEL CAP	1

WHEELS AND TIRES

Notes:

A large grid area for taking notes, consisting of 30 columns and 30 rows of small squares.



A Textron Company

E-Z-GO Division of Textron Inc.,
1451 Marvin Griffin Road, Augusta, Georgia 30906 - 3852 USA

TO CONTACT US...

North America:

Technical Assistance & Warranty Phone: 1-800-774-3946, FAX: 1-800-448-8124

Service Parts Phone: 1-888-GET-E-Z-GO (1-888-438-3946), FAX: 1-800-752-6175

International: Phone: 001-706-798-4311, FAX: 001-706-771-4609

Service Parts Manuals, as well as Repair and Service Manuals
are available from a local Distributor, an authorized Branch,
Genuine E-Z-GO Parts & Accessories Department or at www.shopezgo.com.

Copyrighted Material
This manual may not be reproduced in whole or
in part without the express permission of
E-Z-GO Division of Textron Inc.
Technical Communications Department