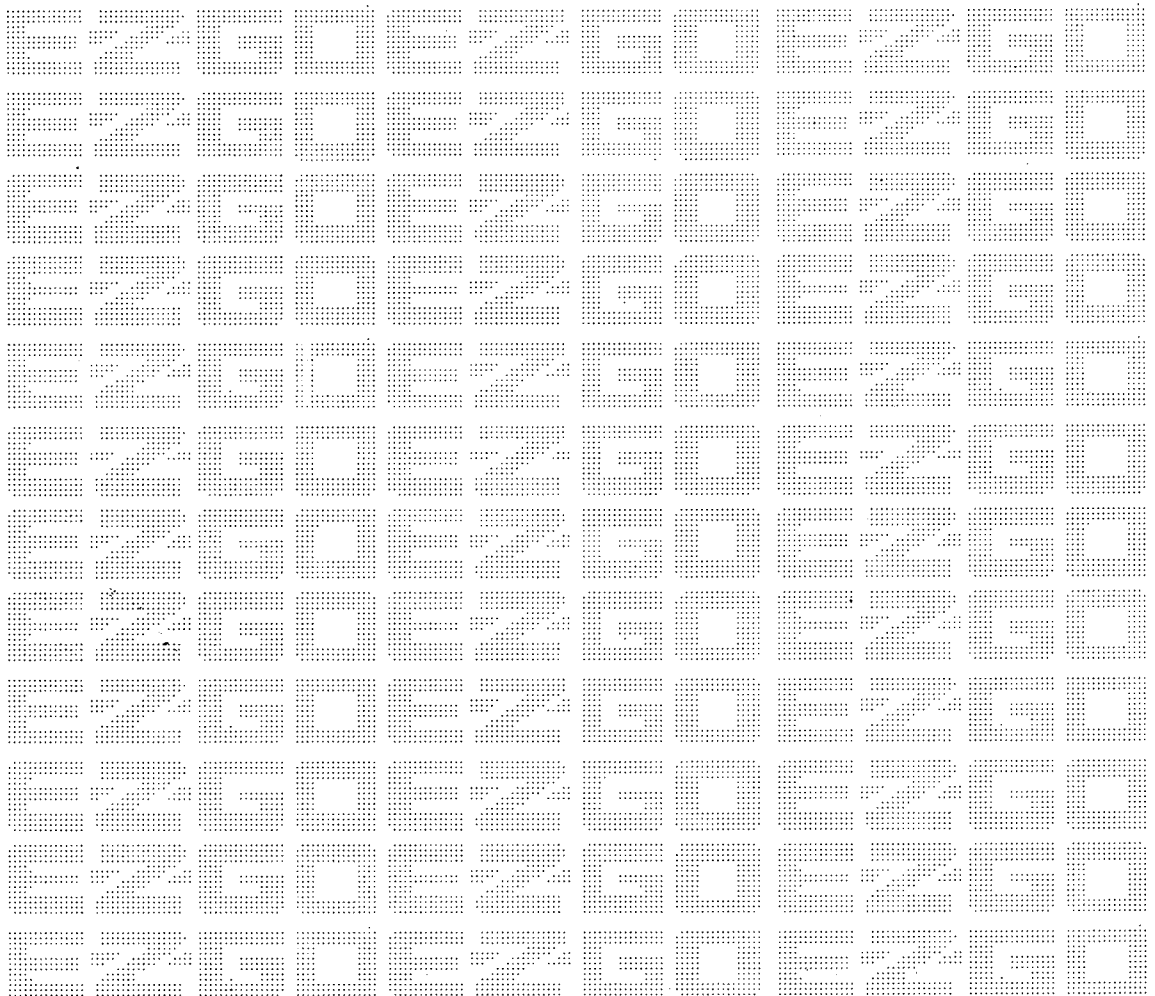




ELECTRIC AND 4-CYCLE GASOLINE
POWERED TRUCKS

**SERVICE
PARTS MANUAL**



SERVICE PARTS MANUAL

ELECTRIC AND 4-CYCLE GASOLINE POWERED TRUCKS

MODEL YEARS: 1991/1992

MANUAL NO. 27070-G01 ISSUED: 7/15/91

TRUCKS

XI - 300

XT/XI - 500

GXT/GXI - 804

CUSTOMER SERVICE DEPARTMENT PHONE 1-800-227-7029 FAX 1-800-752-6175
E-Z-GO DIVISION OF TEXTRON, INC., P.O. BOX 388, AUGUSTA, GEORGIA 30913-2699, 1-800-241-5855

LIMITED WARRANTY

WARRANTY

TO OBTAIN A COPY OF THE LIMITED WARRANTY THAT IS APPLICABLE TO YOUR VEHICLE, CALL OR WRITE YOUR LOCAL DISTRIBUTOR, BRANCH, OR E-Z-GO WARRANTY DEPARTMENT.

THE USE OF NON E-Z-GO PARTS MAY VOID YOUR WARRANTY

OVERFILLING OF BATTERIES MAY VOID YOUR WARRANTY

TAMPERING WITH OR ADJUSTING OF GOVERNOR TO PERMIT THE VEHICLE TO OPERATE AT ABOVE FACTORY SETTINGS (13-14 M.P.H.) WILL VOID YOUR VEHICLE WARRANTY.

GENERAL INDEX

SECTIONS	Page No.
How to use the E-Z-GO Service Parts Manual	vii

ILLUSTRATED PARTS BREAKDOWN

Illustration	ELECTRIC TRUCK Page No.	4-CYCLE GASOLINE TRUCK Page No.	COMMON TO ELECTRIC/GASOLINE TRUCK Page No.
ACCELERATOR AND HILL BRAKE LINKAGE	A-1	A-5	
Accelerator Pedal			
Accelerator Rod			
ACCELERATOR SWITCH	B-1		
Accelerator Switch Wire Harness			
Brush and Lead Assembly			
Contact Board Assembly			
BATTERY CHARGER, 36 VOLT (U.L.)	C-1		
BODY AND ASSOCIATED PARTS			D-1
Bagwell			
Battery Racks			
Center Console			
Floorboard			
Direction Selector Indicator			
Hip Handhold			
Seat Wrap			
Vinyl Bumper Body Trim			
BRAKE LINKAGE			E-1
Brake Linkage Assembly			
Brake Pedal Assembly			
Compensating Link Assembly			
CARBURETOR		F-1	
Jet Kit			
Throttle Lever Kit			
CLUTCHES		G-1	
Drive Belt			
Drive Clutch			
Driven Clutch			
CYLINDER HEAD AND VALVE ASSEMBLY		H-1	
Cylinder Overhaul Kit			
Gasket Set			
Intake Manifold Assembly			
DIRECTION SELECTOR	J-1/J-5	J-9	

GENERAL INDEX

Illustration	ELECTRIC TRUCK	4-CYCLE GASOLINE TRUCK	COMMON TO ELECTRIC/GASOLINE TRUCK
	Page No.	Page No.	Page No.
ELECTRICAL SYSTEM			K-1
Battery			
Coil and Bracket Assembly			
Fuse Holder			
Ignition Switch			
Ignitor Unit			
Voltage Regulator			
Wiring Harness, Starter/Generator			
ENGINE AND MUFFLER			L-1
Air Cleaner			
Engine			
Exhaust Tube			
Muffler			
Oil Filter			
Spark Plug			
Spark Plug Wire			
ENGINE/STARTER MOUNTING			M-1
Belt, Starter/Generator			
FORK, XI - 300			N-1
FOUR WHEEL FRONT SUSPENSION			P-1
Front Axle Assembly			
Hub Assembly			
Idler Assembly			
Leaf Springs			
Spindle Assembly			
Tie Rod Assembly			
FRESH AIR INTAKE SYSTEM			Q-1
Air Intake Box			
Air Inlet Funnel			
Convuluted Hose			
FRONT BUMPER, 3 WHEEL VEHICLE			R-1
FRONT SHIELD, 4 WHEEL VEHICLE			S-1
FUEL SYSTEM			T-1
Choke Cable			
Fuel Filter			
Fuel Gauge			
Fuel Pump			
Fuel Tank Assembly			

GENERAL INDEX

Illustration	ELECTRIC TRUCK Page No.	4-CYCLE GASOLINE TRUCK Page No.	COMMON TO ELECTRIC/GASOLINE TRUCK Page No.
HORN AND ACCESSORY WIRING			U-1
Headlamp			
Horn			
Rear Lamp Assembly			
State of Charge Meter			
Turn Signal Assembly			
Wire Harness			
MOTOR	V-1		
POWER WIRING	W-1		
Charger Wiring Harness			
Direction Selector Wiring Harness			
Ignition Switch Kit			
REAR AXLE	X-1	X-3	
Rear Axle Assembly			
Rear Axle Shaft			
Vent Valve			
REAR SUSPENSION COMPONENTS	Y-1	Y-3	
Leaf Springs			
Shock Absorber			
Spring Shackles			
RESISTOR COIL AND HOUSING	Z-1		
Resistor Board Assembly			
Resistor Coil Assembly			
SEATING			AA-1
SOLID STATE CONTROL MODULE (ESC)	BB-1		
Control Rod			
Electronic Speed Control Assembly			
Mounting Assembly			
Solenoid			
Speed Control Cover			
STARTER / GENERATOR		CC-1	
Bushing Assembly			
Pulley			
Terminal Assembly			
STEERING			DD-1
Rack and Rod Assembly			
Steering Unit Assembly			
Steering Wheel			

GENERAL INDEX

Illustration	ELECTRIC TRUCK Page No.	4-CYCLE GASOLINE TRUCK Page No.	COMMON TO ELECTRIC/GASOLINE TRUCK Page No.
TRUCK BED			EE-1
WHEEL BRAKE			FF-1
Brake Assembly			
Brake Drum Assembly			
Brake Shoe Set			
Lug Bolt			
WHEELS AND TIRES			GG-1
Tire			
Tire and Wheel Rim Assembly			
Valve Stem			
Wheel Rim			

APPENDIX

SERVICE ACCESSORIES AND SPECIAL TOOLS	Appendix-1
---	------------

HOW TO USE THE E-Z-GO SERVICE PARTS MANUAL

This manual is divided into several sections:

1. GENERAL INFORMATION
2. ILLUSTRATED PARTS BREAKDOWN FOR ELECTRIC AND 4-CYCLE GASOLINE POWERED TRUCKS
3. APPENDIX

The first section, **GENERAL INFORMATION**, contains the following informations:

1. WARRANTY INFORMATION
2. GENERAL INDEX
3. HOW TO USE THE E-Z-GO SERVICE PARTS MANUAL

The second section, **ILLUSTRATED PARTS BREAKDOWN (IPB) FOR ELECTRIC AND 4-CYCLE GASOLINE POWERED TRUCKS**, contains illustrations and parts lists for all systems of the electric and 4-cycle gasoline powered golf cars.

The third section, **SERVICE ACCESSORIES AND SPECIAL TOOLS**, contains a listing of E-Z-GO service accessories and special tools that may be purchased from the company to aid in the servicing of the vehicle.

USE OF THE MANUAL

To use this manual, consult the **GENERAL INDEX** (located in the first section) to locate the information or illustration required.

E-Z-GO manuals are revised annually to coincide with the model year change. The manual will cover all models and model years stated on the cover page. Sections that remain unchanged have the last date that they were revised in the lower inside margin. New components that are interchangeable with the previous year are automatically revised and the issue date is changed.

Revisions to part numbers or descriptions that have been made since the last issue of the individual sections are indicated by a (▶) that is placed in the left margin adjacent to the revised part number.

Changes that are not interchangeable with the previous model year are added to the parts list or illustration with applicable model year descriptions. In cases where this is not practical, a new illustration and parts list will be added to the section and the first year that the section is applicable to is indicated below the section title.

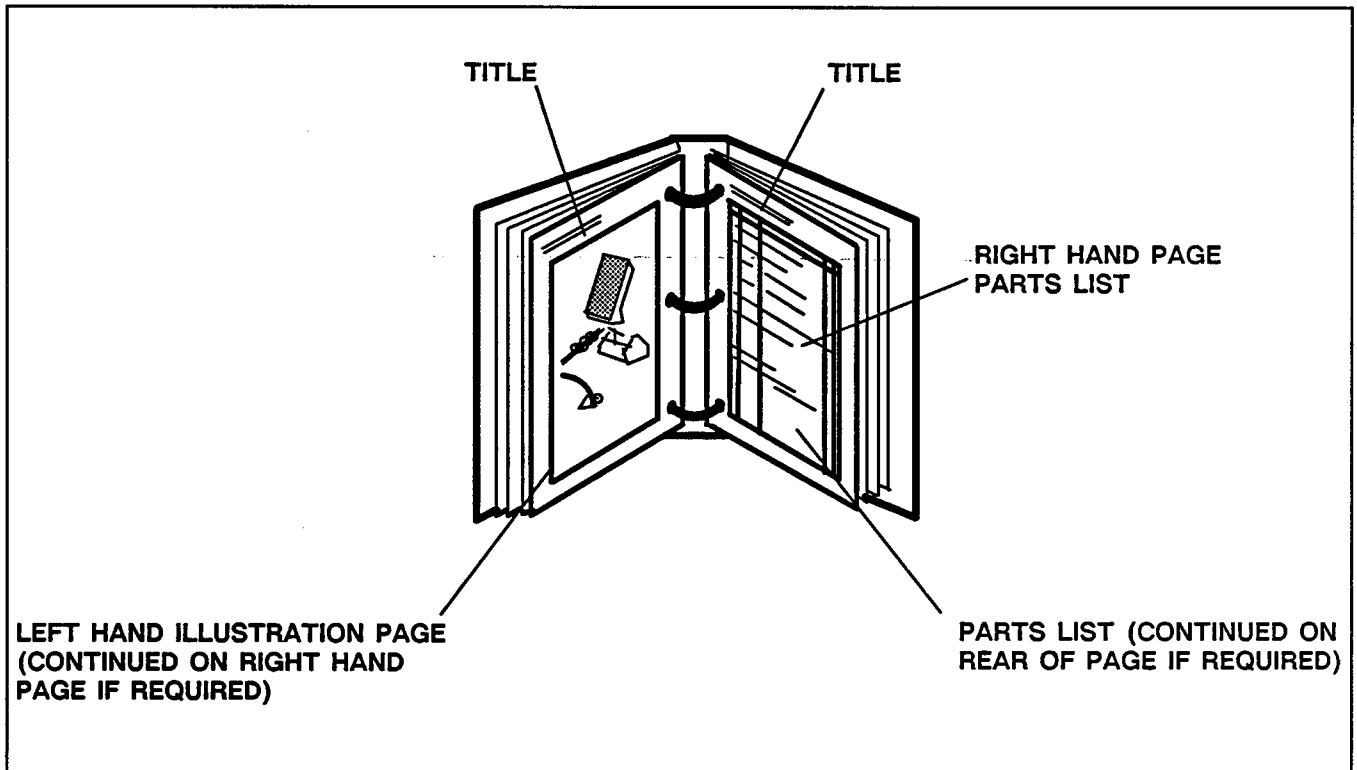
Introduction of some revisions varies due to supply of components; therefore, it is possible that various combinations of components may be found that are not directly reflected by each illustration. Consult the illustration that best suits your situation and contact the Service Parts Department. It is important that the serial number of your vehicle and its model number be supplied to Service Parts when ordering any replacement components.

Locate the serial number plate (see Body and Associated Parts located in the IPB section of this manual for its location) and note the complete number shown on the plate.

Each system is listed in the index and has an alphabetical prefix. The illustration always appears first and is followed by its related parts list. Additional illustrations and parts lists with the same prefix indicate significant changes that have taken place since the last issue.

Note that many alphabetical prefixes are omitted. These prefixes have been assigned to systems that are not relevant to your vehicle. The index lists all relevant sections that pertain to your vehicle.

HOW TO USE THE E-Z-GO SERVICE PARTS MANUAL



1. WHEN THE PART NUMBER IS *NOT* KNOWN.

- a. Determine the function and application of the part required. Turn to the General Index and select the most appropriate title.
- b. Turn to the page number indicated and locate the desired part on the illustration.
- c. From the illustration, obtain the item number assigned to the desired part. Refer to the accompanying description for specific information regarding the part.

2. IF YOU KNOW THE PART NUMBER.

Locate the part number or description in the appropriate column on the parts list page.

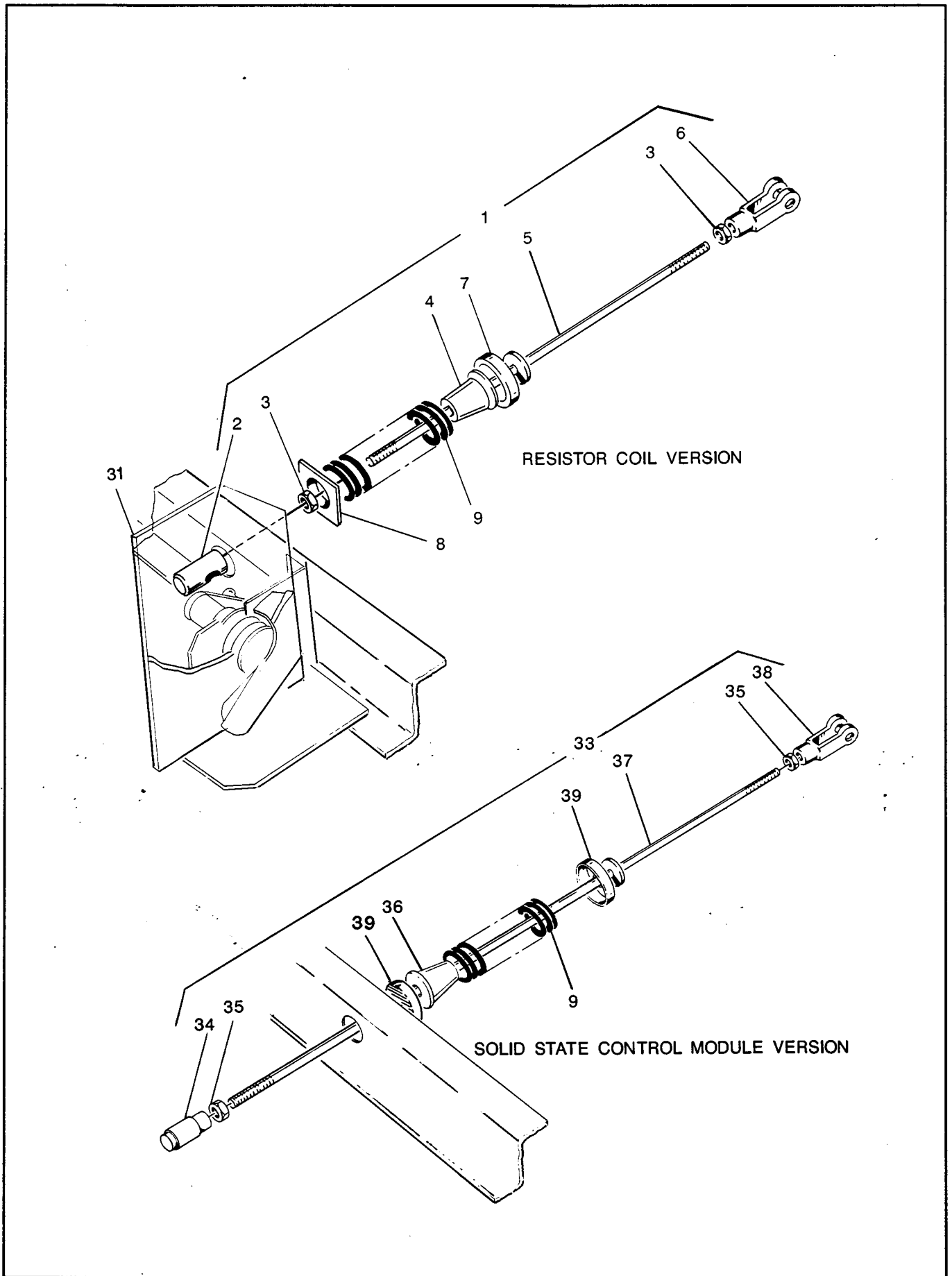
NOTE: It is suggested that you confirm that the part selected is correct by verifying it with the pictorial representation on the illustration page.

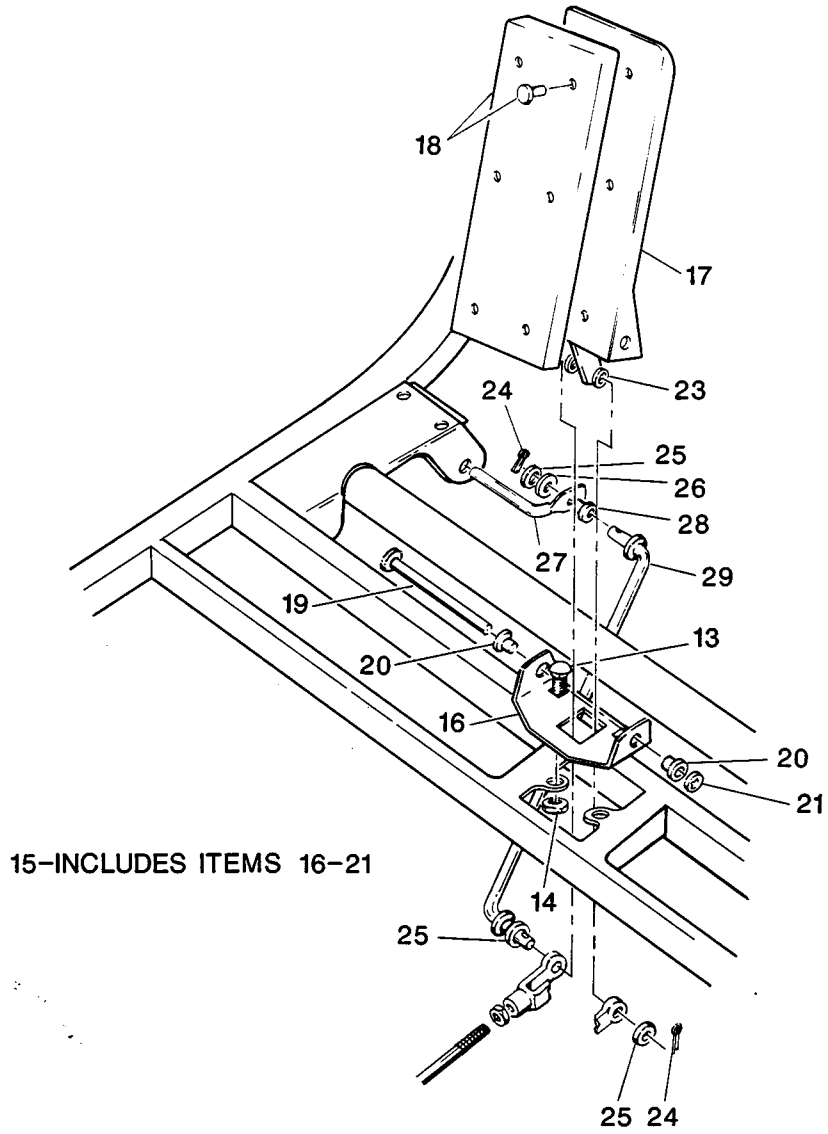
Should an asterisk(*) appear in the part number column on the parts list page, read upwards until a part number is found. The part number is the *lowest* assembly sold by E-Z-GO and the asterisk (*) indicates that the part depicted is not available for sale by E-Z-GO.

NOTE: Descriptions are *indented* under the assembly that they are used on. That assembly is, in turn, listed under the assembly that it is used on. This process is repeated until the highest or *final assembly* is reached.

To facilitate the maintenance and repair of vehicle, an Operation and Service Manual is available from the E-Z-GO Service Parts Department.

**ILLUSTRATED PARTS BREAKDOWN
ELECTRIC AND 4-CYCLE GASOLINE TRUCKS**





ACCELERATOR AND HILL BRAKE LINKAGE

ELECTRIC POWERED TRUCK

THE USE OF NON U.L. PARTS WILL VOID ANY U.L. LISTING.

When ordering parts, please specify the model and serial number of the product.

* Indicates a component that is not available as an individual part.

ITEM	PART NO.	1	2	3	4	5	DESCRIPTION	QTY	
								3 WHEEL	4 WHEEL
1	25780-G1						ACCELERATOR ROD ASSEMBLY (INCLUDES ITEMS 2 - 7)	1	1
2	14444-G3						BALL JOINT, SOCKET	1	1
3	00544-G4						NUT, 5/16 - 24	2	2
4	17979-G1						BUSHING, ACCELERATOR ROD	1	1
5	23613-G1						ACCELERATOR ROD	1	1
6	10385-G4						CLEVIS YOKE	1	1
7	17677-G1						RETAINER, SPRING	2	2
8	18034-G1						RETAINER, SPRING	1	1
9	17675-G1						SPRING, COMPRESSION	1	1
10									
11									
12									
13	26480-G01						SCREW, 1/4 - 20 X 3/4 LG.	2	2
14	11027-G2						NUT, LOCK, 1/4 - 20	2	2
15	18083-G1						ACCELERATOR PEDAL ASSEMBLY (INCLUDES ITEMS 16 - 21)	1	1
16	12511-G1						BASE PLATE, ACCELERATOR	1	1
17	18084-G1						PEDAL, ACCELERATOR	1	1
18	15827-G1						ACCELERATOR PEDAL, PAD KIT (INCLUDES RIVETS)	1	1
19	12512-G1						PIN, ACCELERATOR PEDAL	1	1
20	12513-G1						BEARING, PLASTIC	2	2
21	12064-G2						NUT, PUSH	1	1
22									
23	17255-G1						WASHER, TEFLON	2	2
24	10387-G3						COTTER PIN, 3/16 X 3/4 LG.	2	2
25	00559-G8						WASHER, FLAT, 5/16	2	2
26	20835-G1						WASHER, NYLON	1	1
27	19708-G1						ARM, PIVOT	1	1
28	17838-G1						BUSHING, NYLINER	1	1
29	24030-G1						ROD, LINKAGE	1	1
30									
31	XXXX-XX						ACCELERATOR SWITCH ASSEMBLY (SEE ACCELERATOR SWITCH ASSEMBLY ILLUSTRATION)	1	1
32									
33	25780-G1						ACCELERATOR ROD ASSEMBLY, SOLID STATE CONTROL MODULE ONLY (INCLUDES ITEMS 34-39)	1	1

ACCELERATOR AND HILL BRAKE LINKAGE

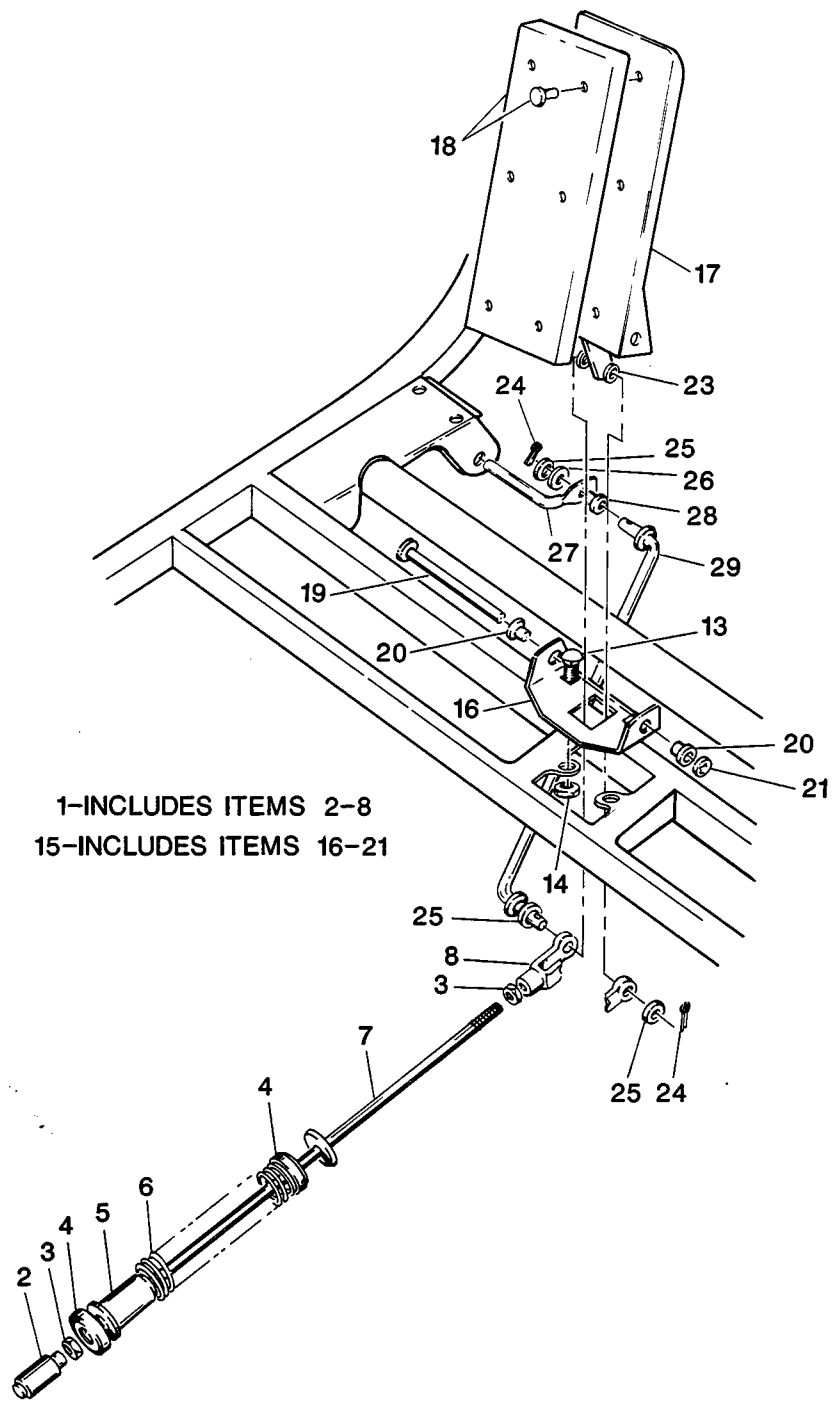
ELECTRIC POWERED TRUCK

THE USE OF NON U.L. PARTS WILL VOID ANY U.L. LISTING.

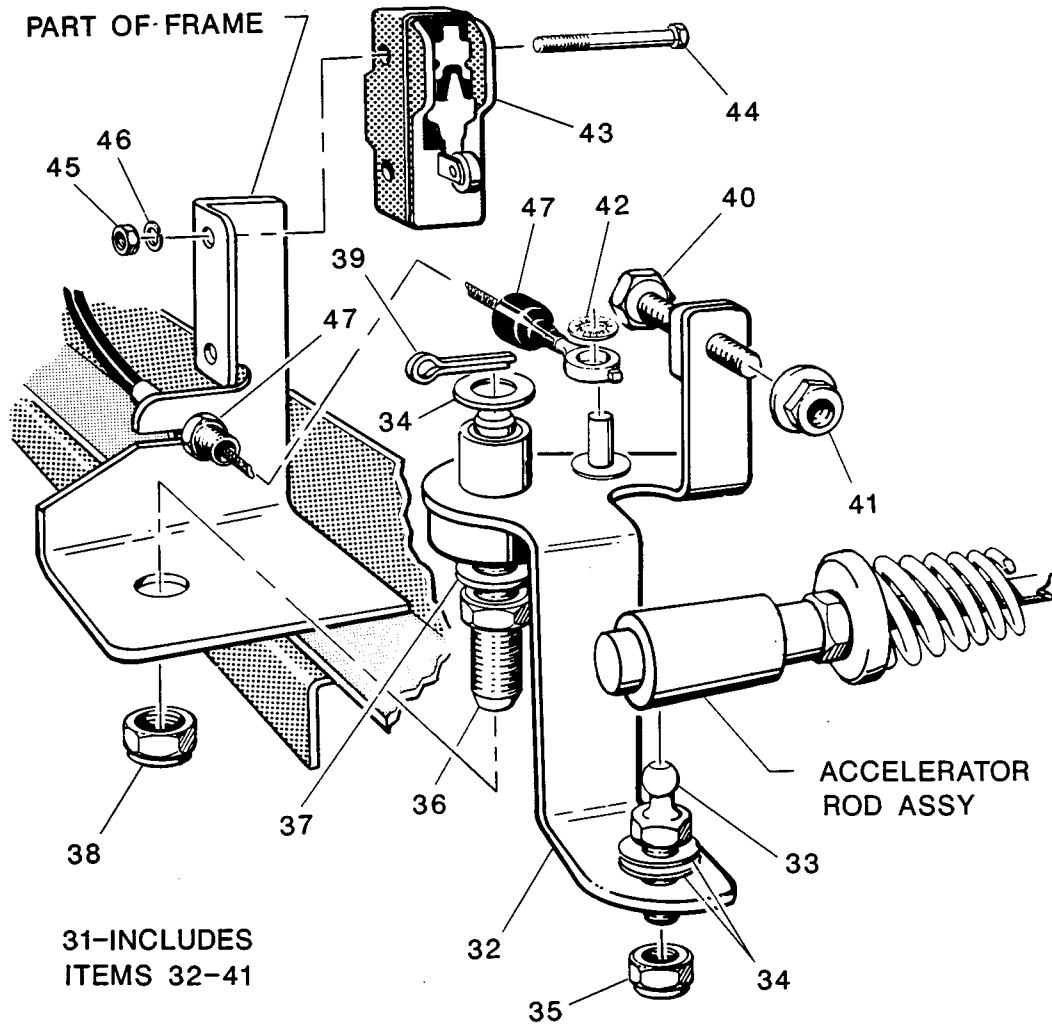
When ordering parts, please specify the model and serial number of the product.

* Indicates a component that is not available as an individual part.

ITEM	PART NO.	1	2	3	4	5	DESCRIPTION	QTY	
								3 WHEEL	4 WHEEL
34	14444-G3						BALL JOINT, SOCKET	1	1
35	00544-G4						NUT, 5/16-24	2	2
36	17979-G1						BUSHING, ACCELERATOR ROD	1	1
37	19710-G1						ACCELERATOR ROD	1	1
38	10385-G4						CLEVIS YOKE	1	1
39	17677-G1						RETAINER, SPRING	1	1



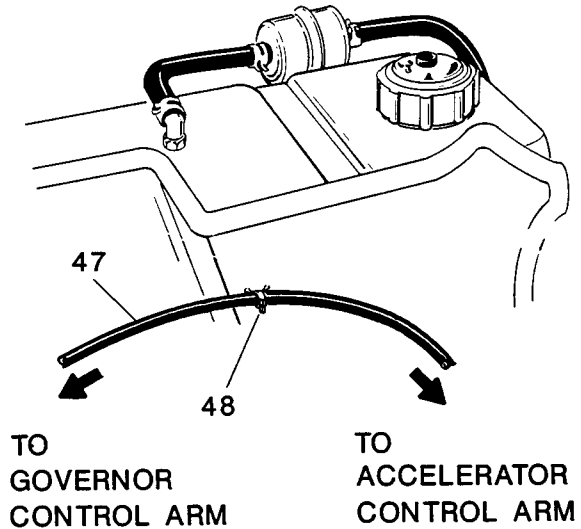
1-INCLUDES ITEMS 2-8
15-INCLUDES ITEMS 16-21

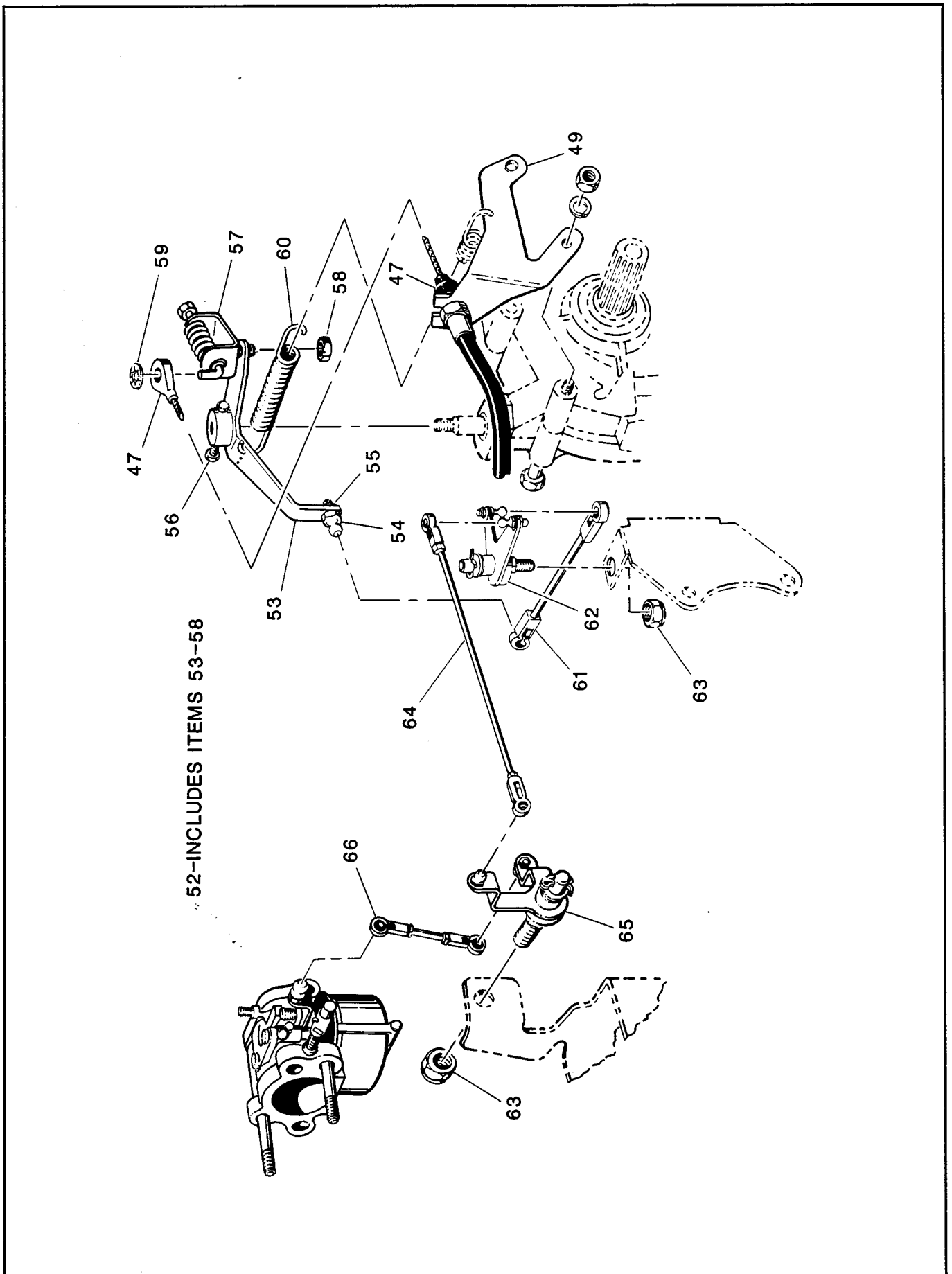


PART OF FRAME

ACCELERATOR ROD ASSY

31-INCLUDES ITEMS 32-41





ACCELERATOR AND HILL BRAKE LINKAGE

GASOLINE POWERED TRUCK

THE USE OF NON U.L. PARTS WILL VOID ANY U.L. LISTING.

When ordering parts, please specify the model and serial number of the product.

* Indicates a component that is not available as an individual part.

ITEM	PART NO.	1	2	3	4	5	DESCRIPTION	QTY
1	18091-G1						ACCELERATOR AND HILL BRAKE ASSEMBLY (INCLUDES ITEMS 2 - 8) . .	1
2	14444-G3						BALL JOINT, SOCKET	1
3	00554-G4						NUT, 5/16 - 24	2
4	17677-G1						RETAINER, SPRING	2
5	17979-G1						BUSHING, ACCELERATOR ROD	1
6	17675-G1						SPRING, COMPRESSION	1
7	19710-G1						ROD, ACCELERATOR	1
8	10385-G4						YOKE, CLEVIS, REAMED	1
9								
10								
11								
12								
13	26480-G01						BOLT, CARRIAGE, 1/4 - 20 X 3/4 LG.	1
14	11027-G2						NUT, LOCK, 1/4 - 20	2
15	18083-G1						ACCELERATOR PEDAL ASSEMBLY (INCLUDES ITEMS 16 - 21)	1
16	12511-G1						BASE PLATE, ACCELERATOR	1
17	18084-G1						PEDAL, ACCELERATOR	1
18	15827-G1						PAD KIT, ACCELERATOR PEDAL (INCLUDES RIVET)	1
19	12512-G1						PIN, ACCELERATOR PEDAL	1
20	12513-G1						BEARING, PLASTIC	2
21	12064-G2						NUT, PUSH, 1/4	1
22								
23	17255-G1						WASHER, TEFLON	2
24	10387-G3						PIN, COTTER, 3/32 X 3/4 LG.	2
25	00559-G8						WASHER, 5/16	3
26	20835-G1						WASHER, NYLON	1
27	19708-G1						ARM, PIVOT	1
28	17838-G1						BUSHING, NYLINER	1
29	24030-G1						ROD, LINKAGE	1
30								
31	25338-G1						CONTROL ARM ASSEMBLY (INCLUDES ITEMS 32 - 41)	1
32	25337-G1						ARM, CONTROL	1
33	15944-G3						BALL, BALL JOINT	1
34	00559-G8						WASHER, 5/16	2

ACCELERATOR AND HILL BRAKE LINKAGE

GASOLINE POWERED TRUCK

THE USE OF NON U.L. PARTS WILL VOID ANY U.L. LISTING.

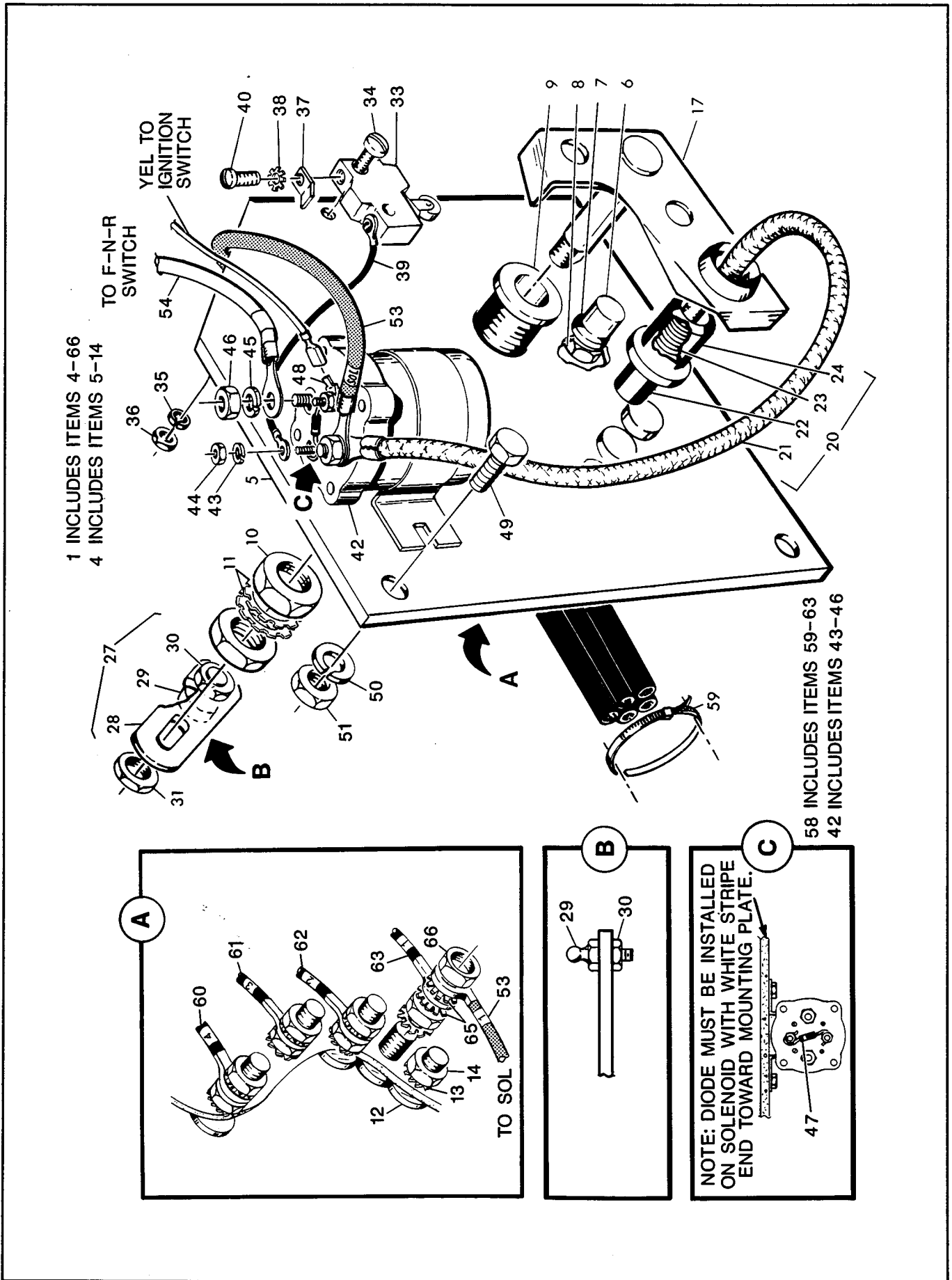
When ordering parts, please specify the model and serial number of the product.

* Indicates a component that is not available as an individual part.

ITEM	PART NO.	1	2	3	4	5	DESCRIPTION	QTY
35	11098-G9						NUT, LOCK, 5/16 - 24	1
36	25768-G01						ROD, PIVOT	1
37	24621-G1						WASHER, NYLON	1
38	14390-G1						NUT, LOCK, 3/8 - 24	1
39	10387-G3						PIN, COTTER, 3/32 X 3/4 LG.	1
40	18759-G1						SCREW, STAINLESS STEEL, 1/4 - 20 X 1 LG.	1
41	11027-G2						NUT, LOCK, 1/4 - 20	1
42	12064-G3						NUT, PUSH, 3/16	1
43	10606-G2						MICROSWITCH	1
44	00957-G1						SCREW, #6 - 32 X 1 1/4 LG.	1
45	00525-G5						NUT, #6 - 32	1
46	00565-G3						WASHER, LOCK, #6	1
47	25694-G02						ACCELERATOR CABLE	1
48	25956-G01						TIE, NYLON, PUSH MOUNT	1
49	25653-G01						BRACKET, ACCELERATOR CABLE DIFFERENTIAL	1
50								
51								
52	25690-G1						GOVERNOR CONTROL ARM ASSEMBLY (INCLUDES ITEMS 53 - 58)	1
53	25765-G01						ARM, GOVERNOR CABLE	1
54	24479-G1						BALL, BALL JOINT	1
55	00921-G8						NUT, FLEX LOCK, #10 - 32	1
56	00491-G4						SCREW, SET, 1/4 - 20	2
57	22751-G2						BRACKET, GOVERNOR	1
58	14390-G4						NUT, LOCK, 1/4 - 20	1
59	12064-G3						NUT, PUSH, 3/16	1
60	25738-G01						SPRING	1
61	25737-G03						ROD, GOVERNOR LINKAGE	1
62	25763-G01						ARM, GOVERNOR PIVOT	1
63	14390-G1						NUT, LOCK, 3/8 - 24	2
64	25737-G02						ROD, THROTTLE LINKAGE	1
65	25760-G01						ARM, CARBURETOR PIVOT	1
66	25737-G01						ROD, CARBURETOR LINKAGE	1

ACCELERATOR SWITCH ASSEMBLY

ELECTRIC POWERED TRUCK



ACCELERATOR SWITCH ASSEMBLY

ELECTRIC POWERED TRUCK

THE USE OF NON U.L. PARTS WILL VOID ANY U.L. LISTING.

When ordering parts, please specify the model and serial number of the product.

* Indicates a component that is not available as an individual part.

ITEM	PART NO.	1	2	3	4	5	DESCRIPTION	QTY	
								3 WHEEL	4 WHEEL
1	20467-G2	ACCELERATOR SWITCH ASSEMBLY, HEAVY DUTY (INCLUDES ITEMS 4 - 66)						1	1
2									
3									
4	18741-G1	CONTACT BOARD ASSEMBLY (INCLUDES ITEMS 5 - 14)						1	1
5	*	PLATE, ACCELERATOR						1	1
6	17491-G1	STUD, STOP						1	1
7	00560-G1	WASHER, 3/8						1	1
8	14390-G1	NUT, LOCK, 3/8 - 24						1	1
9	11902-G1	BUSHING, SHAFT						1	1
10	00545-G8	NUT, 3/4 - 16						2	2
11	00568-G6	WASHER, LOCK, EXTERNAL TOOTH, 3/4						2	2
12	*	STUD, CONTACT						5	5
13	*	WASHER, LOCK, EXTERNAL TOOTH, 5/16						5	5
14	*	NUT, 5/16 - 24						5	5
15									
16									
17	17973-G1	SHAFT AND ARM						1	1
18									
19									
20	17504-G2	BRUSH AND LEAD ASSEMBLY (INCLUDES ITEMS 21 - 24)						1	1
21	*	TERMINAL, RING, #6 X 5/16						1	1
22	*	COPPER BRUSH WITH LEAD						1	1
23	*	SPRING, ARM CONTACT						1	1
24	*	HOLDER, BRUSH						1	1
25									
26									
27	17663-G1	PIVOT ARM ASSEMBLY (INCLUDES ITEMS 28 - 30)						1	1
28	17655-G1	ARM, ACCELERATOR LINKAGE						1	1
29	15944-G3	BALL, BALL JOINT						1	1
30	11098-G9	NUT, LOCK, 5/16 - 24						1	1
31	11098-G3	NUT, LOCK, 1/2 - 20						1	1
32									
33	10606-G2	SWITCH, MICRO						1	1
34	00139-G2	SCREW, #6 - 32 X 1 1/4 LG.						2	2

ACCELERATOR SWITCH ASSEMBLY

ELECTRIC POWERED TRUCK

THE USE OF NON U.L. PARTS WILL VOID ANY U.L. LISTING.

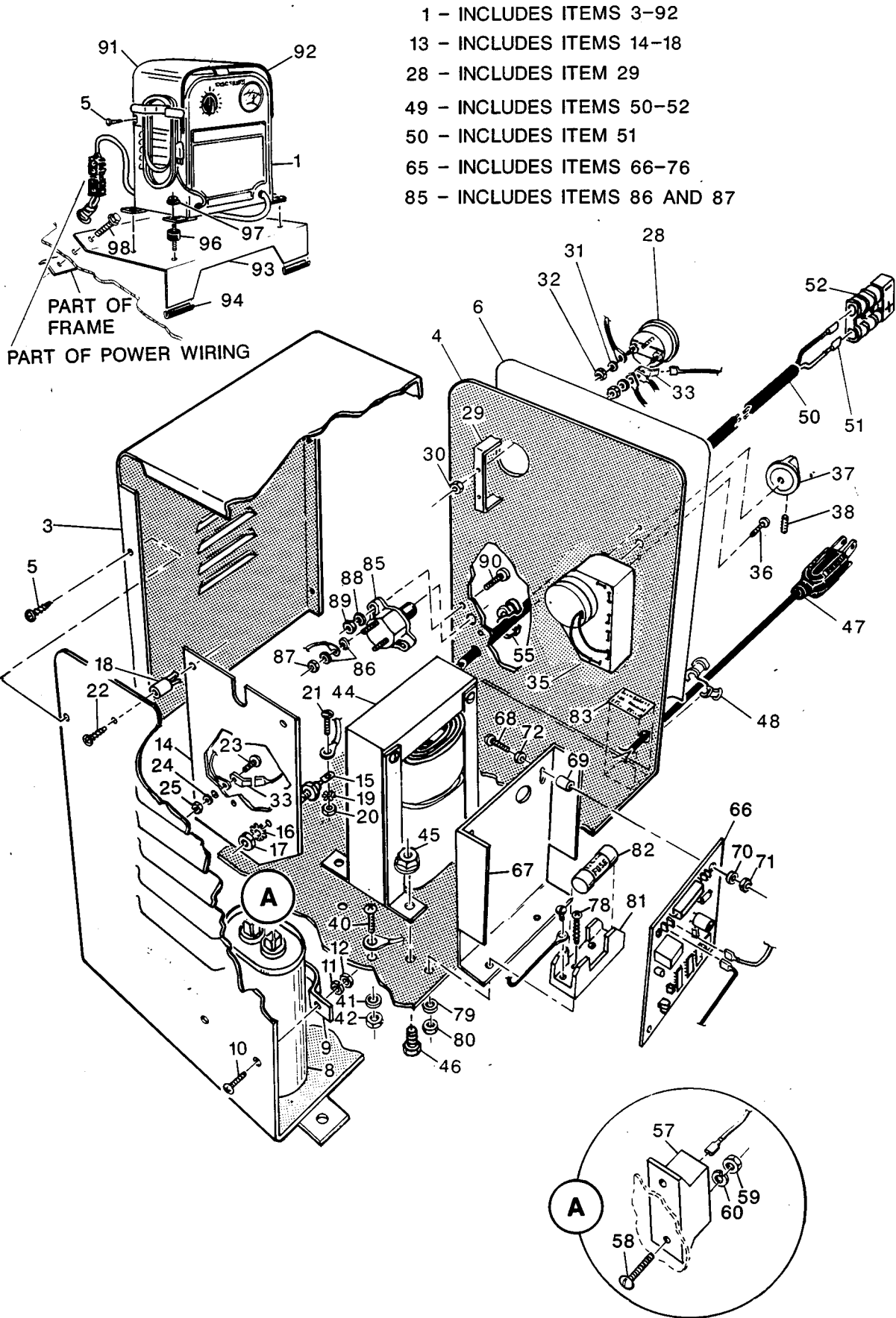
When ordering parts, please specify the model and serial number of the product.

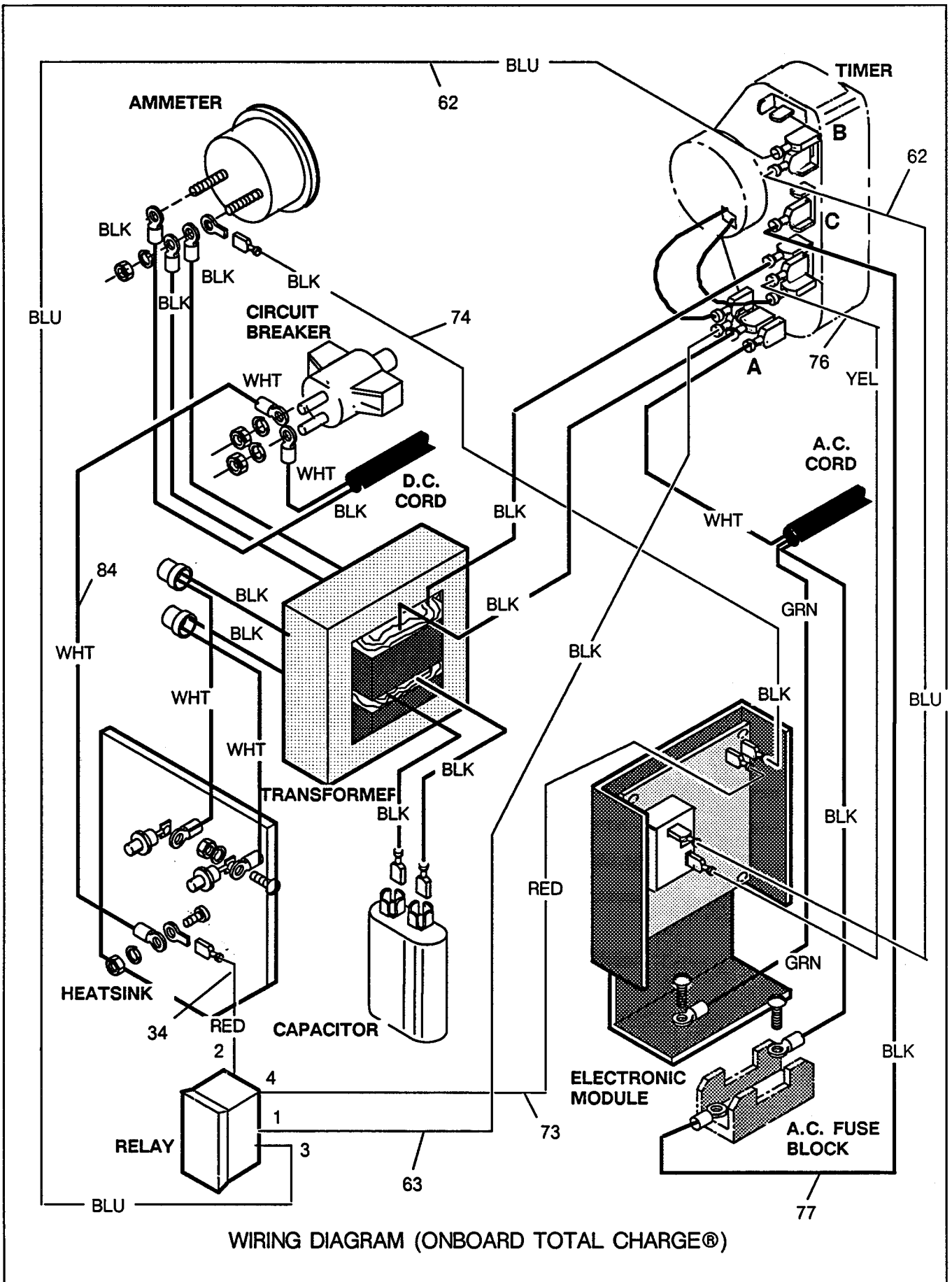
* Indicates a component that is not available as an individual part.

ITEM	PART NO.	1	2	3	4	5	DESCRIPTION	QTY	
								3 WHEEL	4 WHEEL
35	00565-G3						WASHER, LOCK, #6	2	2
36	00525-G5						NUT, #6 - 32	2	2
37	14628-G1						FASTON TAB	1	1
38	00567-G4						WASHER, LOCK, EXTERNAL TOOTH, #8	1	1
39	20464-G1						WIRE, BLACK	1	1
40	13514-G1						SCREW, BRASS, #8	2	2
41									
42	20468-G1						SOLENOID, 36 VOLT, HEAVY DUTY (INCLUDES ITEMS 43 - 46) ...	1	1
43	00565-G5						WASHER, LOCK, #10	2	2
44	00526-G4						NUT, #10 - 32	2	2
45	00565-G8						WASHER, LOCK, #10 - 32	2	2
46	00544-G4						NUT, 5/16 - 24	2	2
47	30353-G1						DIODE	1	1
48	12914-G1						FASTON TAB	1	1
49	00414-G6						SCREW, 1/4 - 20 X 3/4 LG.	2	2
50	00565-G7						WASHER, LOCK, 1/4	2	2
51	00532-G1						NUT, 1/4 - 20	2	2
52									
53	17965-G1						WIRE, LO SPEED, SOLENOID	1	1
54	13493-G1						WIRE, SOLENOID, F-N-R SWITCH	1	1
55									
56									
57									
58	18902-G1						WIRE HARNESS, ACCELERATOR SWITCH ASSEMBLY (INCLUDES ITEMS 59 - 63)	1	1
59	17618-G1						CLAMP, NYLON	4	4
60	18897-G5						WIRE, #4	1	1
61	18897-G4						WIRE, #3	1	1
62	18897-G2						WIRE, #2	1	1
63	18897-G1						WIRE, #1	1	1
64									
65	00567-G8						WASHER, LOCK, EXTERNAL TOOTH, 5/16	5	5
66	00544-G4						NUT, 5/16 - 24	4	4

BATTERY CHARGER, TOTAL CHARGE[®], ONBOARD

ELECTRIC POWERED TRUCKS





WIRING DIAGRAM (ONBOARD TOTAL CHARGE®)

BATTERY CHARGER, TOTAL CHARGE[®], ONBOARD

ELECTRIC POWERED TRUCK

THE USE OF NON U.L. PARTS WILL VOID ANY U.L. LISTING.

When ordering parts, please specify the model and serial number of the product.

* Indicates a component that is not available as an individual part.

ITEM	PART NO.	1	2	3	4	5	DESCRIPTION	QTY	
								3 WHEEL	4 WHEEL
1	22333-G02	BATTERY CHARGER, 36V, TOTAL CHARGE, ONBOARD (INCLUDES ITEMS 3 - 92)						1	1
2									
3	19096-G3	TOP COVER						1	1
4	22043-G2	CHASSIS						1	1
5	00614-G4	SCREW, SELF-TAPPING, #8 X 1/2 LG.						16	16
6	*	LABEL, OPERATING INSTRUCTIONS (SERIALIZED)						1	1
7									
8	17077-G1	CAPACITOR (INCLUDES ITEM 9)						1	1
9	11559-G1	BRACKET, CAPACITOR						1	1
10	00372-G4	SCREW, #8 - 32 X 1/2 LG.						2	2
11	00565-G4	WASHER, LOCK, #8						2	2
12	00526-G1	NUT, #8 - 32						2	2
13	18768-G2	HEAT SINK ASSEMBLY (INCLUDES ITEMS 14 - 18)						1	1
14	18489-G1	HEAT SINK						1	1
15	18488-G1	DIODE						2	2
16	00567-G7	WASHER, LOCK, 1/4						2	2
17	00532-G2	NUT, 1/4 - 28						2	2
18	11572-G2	NUT, PLASTIC EXPANSION						3	3
19	00567-G3	WASHER, LOCK, EXTERNAL TOOTH, #6						2	2
20	00525-G5	NUT, #6 - 32						2	2
21	00138-G3	SCREW, #6 - 32 X 3/8 LG.						2	2
22	00512-G7	SCREW, SELF-TAPPING, #8 X 7/8 LG.						3	3
23	00378-G4	SCREW, #10 - 24 X 1/2 LG.						1	1
24	00565-G5	WASHER, LOCK, #10						1	1
25	00526-G3	NUT, #10 - 24						1	1
26									
27									
28	24243-G1	AMMETER (INCLUDES ITEM 29)						1	1
29	*	BRACKET, AMMETER						1	1
30	00525-G5	NUT, #6 - 32						2	2
31	00565-G5	WASHER, LOCK, #10						2	2
32	00526-G4	NUT, #10 - 32						2	2
33	12914-G1	FASTON TAB						2	2
34	21979-G1	WIRE, 18 GAUGE, RED						1	1

BATTERY CHARGER, TOTAL CHARGE® , ONBOARD

ELECTRIC POWERED TRUCK

THE USE OF NON U.L. PARTS WILL VOID ANY U.L. LISTING.

When ordering parts, please specify the model and serial number of the product.

* Indicates a component that is not available as an individual part.

ITEM	PART NO.	1	2	3	4	5	DESCRIPTION	QTY	
								3 WHEEL	4 WHEEL
35	18052-G6						TIMER	1	1
36	00372-G2						SCREW, #8 - 32 X 1/4 LG.	2	2
37	11575-G1						KNOB, TIMER	1	1
38	00486-G4						SETSCREW, #8 - 32 X 1/2 LG.	1	1
39									
40	00372-G3						SCREW, #8 - 32 X 3/8 LG.	1	1
41	00565-G4						WASHER, LOCK, #8	1	1
42	00526-G1						NUT, #8 - 32	1	1
43									
44	19928-G1						TRANSFORMER	1	1
45	11027-G2						NUT, LOCK, 1/4 - 20	4	4
46	00414-G5						SCREW, 1/4 - 20 X 5/8 LG.	4	4
47	19388-G1						A.C. CORD	1	1
48	13557-G2						STRAIN RELIEF, PLASTIC (A.C. CORD)	1	1
49	22052-G1						D.C. CORD ASSEMBLY, 2 FT. (INCLUDES ITEMS 50 - 52)	1	1
50	22050-G1						D.C. CORD ASSEMBLY, 2 FT (INCLUDES ITEM 51).	1	1
51	*						CONTACT, CONNECTOR	2	2
52	18782-G1						CONNECTOR	1	1
53									
54									
55	13557-G3						STRAIN RELIEF, PLASTIC (D.C. CORD)	1	1
56									
57	21971-G1						RELAY	1	1
58	00754-G4						SCREW, #6 - 32 X 1/2 LG.	2	2
59	00525-G5						NUT, #6 - 32	2	2
60	00565-G3						WASHER, LOCK, #6.	2	2
61									
62	22992-G1						WIRE, 18 GAUGE, BLUE	2	2
63	21978-G1						WIRE, 18 GAUGE, BLACK	1	1
64									
65	19950-G4						ELECTRONIC MODULE ASSEMBLY (INCLUDES ITEMS 66 - 74)	1	1
66	*						MODULE	1	1
67	19459-G1						BRACKET	1	1
68	00138-G5						SCREW, #6 - 32 X 5/8 LG.	4	4

BATTERY CHARGER, TOTAL CHARGE® , ONBOARD

ELECTRIC POWERED TRUCK

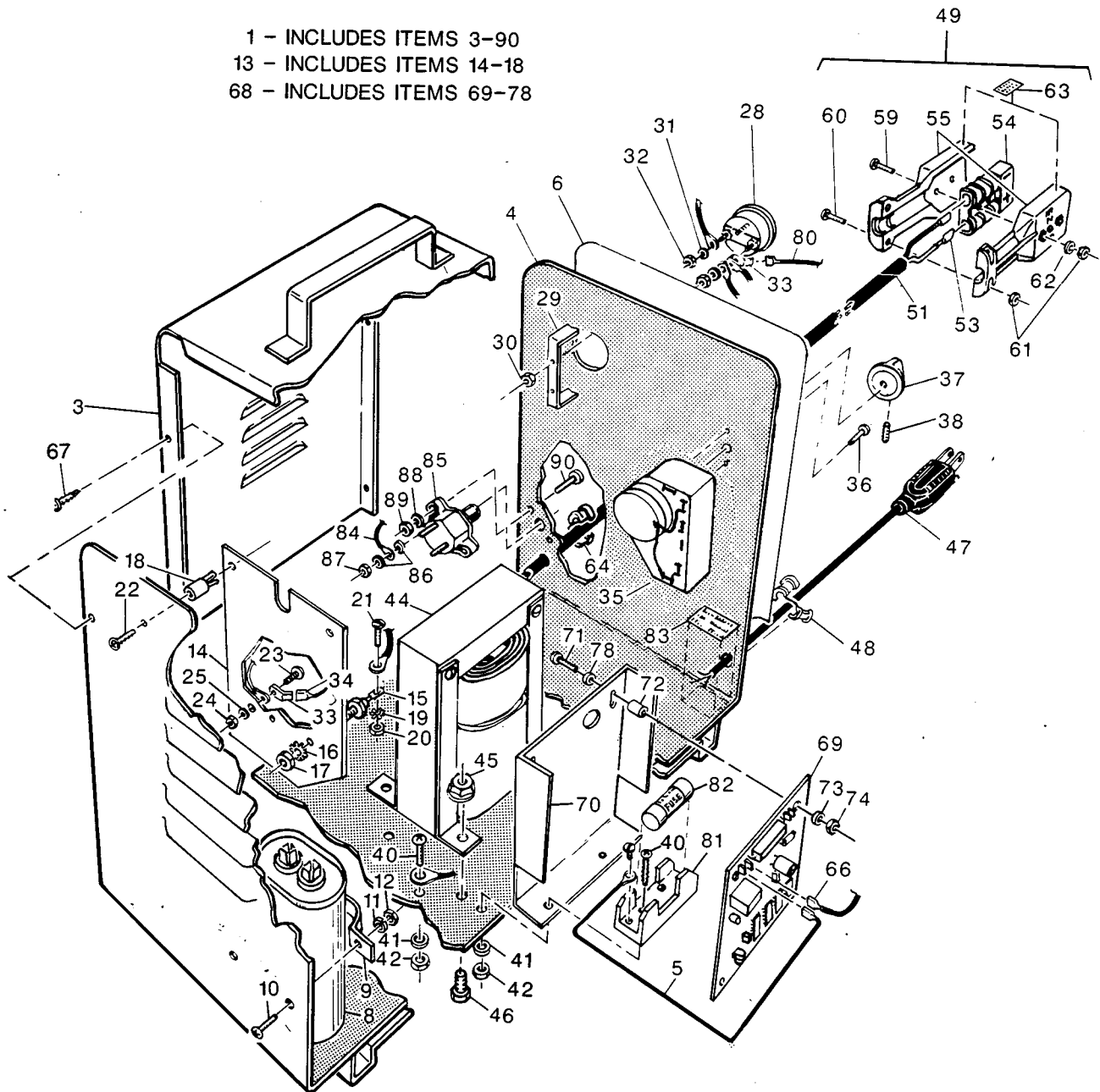
THE USE OF NON U.L. PARTS WILL VOID ANY U.L. LISTING.

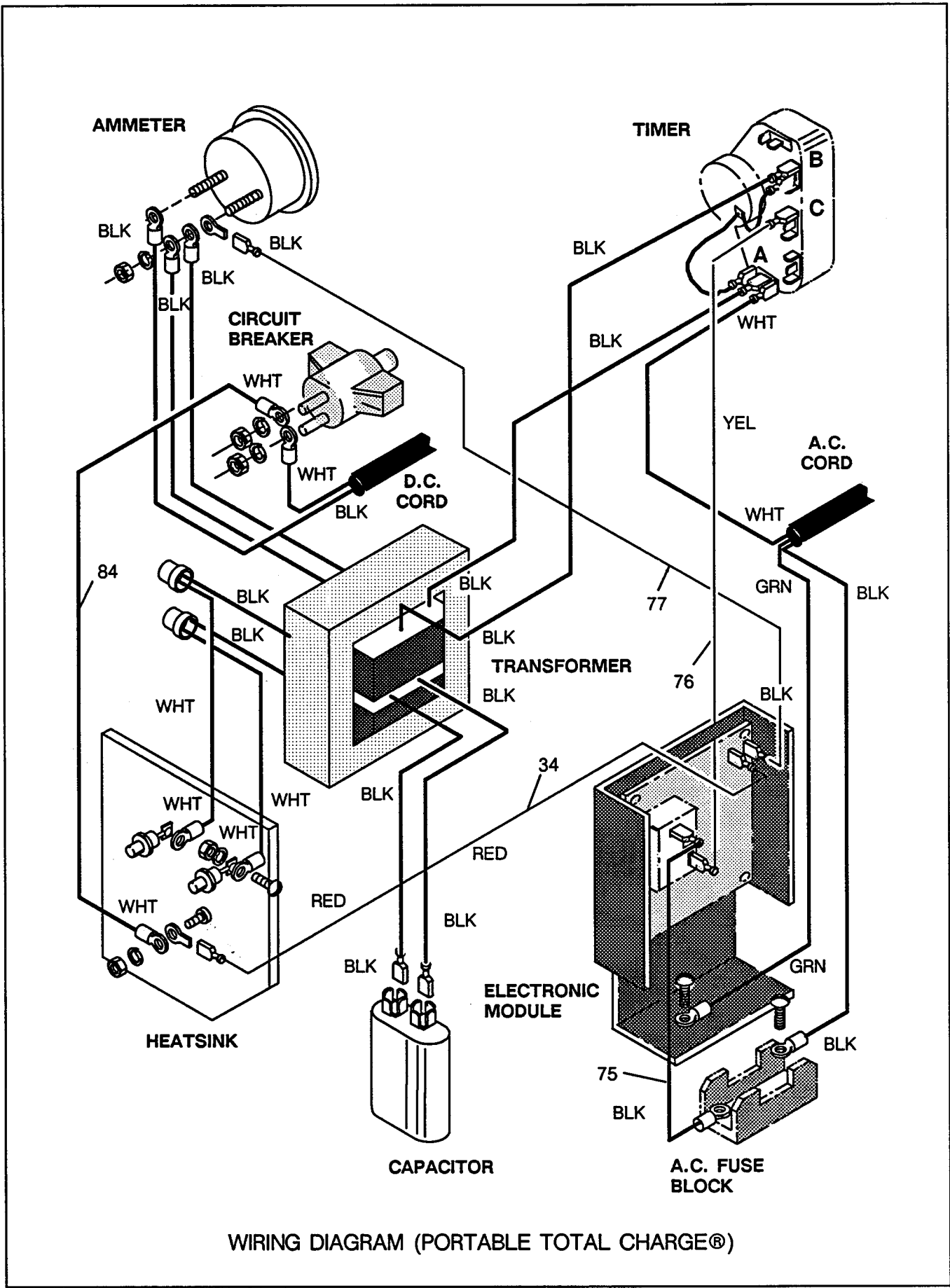
When ordering parts, please specify the model and serial number of the product.

* Indicates a component that is not available as an individual part.

ITEM	PART NO.	1	2	3	4	5	DESCRIPTION	QTY	
								3 WHEEL	4 WHEEL
69	19081-G1						STANDOFF	4	4
70	00736-G1						WASHER, NYLON	4	4
71	00735-G1						NUT, NYLON, #6 - 32	4	4
72	00559-G3						WASHER, #6	2	2
73	21980-G1						WIRE, 18 GAUGE, RED	1	1
74	19954-G1						WIRE, 18 GAUGE, BLACK	1	1
75									
76	19949-G1						WIRE, 16 GAUGE, YELLOW	1	1
77	19402-G1						WIRE, 16 GAUGE, BLACK	1	1
78	00372-G5						SCREW, #8 - 32 X 5/8 LG.	2	2
79	00565-G4						WASHER, LOCK, #8	2	2
80	00526-G4						NUT, #8 - 32	2	2
81	19363-G1						FUSE BLOCK	1	1
82	19361-G1						FUSE, 15 AMP	1	1
83	19434-G1						LABEL, IDENTIFICATION	1	1
84	19441-G1						WIRE, 12 GAUGE, WHITE	1	1
85	19362-G1						CIRCUIT BREAKER, 50 AMP (INCLUDES ITEMS 86 AND 87)	1	1
86	00559-G5						WASHER, #10	2	2
87	00526-G4						NUT, #10 - 32	2	2
88	00565-G4						WASHER, LOCK, #8	2	2
89	00526-G1						NUT, #8 - 32	2	2
90	00372-G6						SCREW, #8 - 32 X 3/4 LG.	2	2
91	22047-G1						SHIELD, CHARGER	1	1
92	18970-G1						TRIM, VINYL	1	1
93	22039-G1						SUPPORT, CHARGER	1	1
94	22281-G3						TRIM, VINYL	2	2
95									
96	22009-G1						MOUNT, ISOLATION	4	4
97	14390-G4						NUT, LOCK, 1/4 - 20	4	4
98	13437-G4						SCREW, LOCK, 3/8 - 16 X 1 LG.	2	2

- 1 - INCLUDES ITEMS 3-90
- 13 - INCLUDES ITEMS 14-18
- 68 - INCLUDES ITEMS 69-78





WIRING DIAGRAM (PORTABLE TOTAL CHARGE®)

BATTERY CHARGER, TOTAL CHARGE[®], PORTABLE

ELECTRIC POWERED TRUCK

THE USE OF NON U.L. PARTS WILL VOID ANY U.L. LISTING.

When ordering parts, please specify the model and serial number of the product.

* Indicates a component that is not available as an individual part.

3 WHEEL	4 WHEEL
---------	---------

ITEM	PART NO.	1	2	3	4	5	DESCRIPTION	QTY	
								3 WHEEL	4 WHEEL
1	20484-G01						BATTERY CHARGER, 36V, 10 FT. D.C. CORD (INCLUDES ITEMS 3 - 90)	1	1
2									
3	19096-G1						TOP COVER	1	1
4	24919-G1						CHASSIS	1	1
5									
6	*						LABEL, OPERATING INSTRUCTIONS (SERIALIZED)	1	1
7									
8	17077-G1						CAPACITOR (INCLUDES ITEM 9)	1	1
9	11559-G1						BRACKET, CAPACITOR	1	1
10	00372-G4						SCREW, #8 - 32 X 1/2 LG.	2	2
11	00565-G4						WASHER, LOCK, #8	2	2
12	00526-G1						NUT, #8 - 32	2	2
13	18768-G2						HEAT SINK ASSEMBLY, (INCLUDES ITEMS 14 - 18)	1	1
14	18489-G1						HEAT SINK	1	1
15	18488-G1						DIODE	2	2
16	00567-G7						WASHER, LOCK, 1/4	2	2
17	00532-G2						NUT, 1/4 - 28	2	2
18	11572-G2						NUT, PLASTIC EXPANSION	3	3
19	00567-G3						WASHER, LOCK, EXTERNAL TOOTH, #6	2	2
20	00525-G5						NUT, #6 - 32	2	2
21	00138-G3						SCREW, #6 - 32 X 3/8 LG.	2	2
22	00512-G7						SCREW, SELF-TAPPING, #8 X 7/8 LG.	3	3
23	00378-G4						SCREW, #10 - 24 X 1/2 LG.	1	1
24	00526-G3						NUT, #10 - 24	1	1
25	00565-G5						WASHER, LOCK, #10	1	1
26									
27									
28	24243-G1						AMMETER (INCLUDES ITEM 29)	1	1
29	*						BRACKET, AMMETER	1	1
30	00525-G5						NUT, #6 - 32	2	2
31	00565-G5						WASHER, LOCK, #10	2	2
32	00526-G4						NUT, #10 - 32	2	2
33	12914-G1						FASTON TAB	2	2
34	19952-G1						WIRE, 18 GAUGE, RED	1	1

BATTERY CHARGER, TOTAL CHARGE® , PORTABLE

ELECTRIC POWERED TRUCK

THE USE OF NON U.L. PARTS WILL VOID ANY U.L. LISTING.

When ordering parts, please specify the model and serial number of the product.

* Indicates a component that is not available as an individual part.

ITEM	PART NO.	1	2	3	4	5	DESCRIPTION	QTY	
								3 WHEEL	4 WHEEL
35	18052-G6						TIMER	1	1
36	00372-G2						SCREW, #8 - 32 X 1/4 LG.	2	2
37	11575-G1						KNOB, TIMER	1	1
38	00486-G4						SETSCREW, #8 - 32 X 1/2 LG.	1	1
39									
40	00372-G3						SCREW, #8 - 32 X 3/8 LG.	1	1
41	00565-G4						WASHER, LOCK, #8	1	1
42	00526-G1						NUT, #8 - 32	1	1
43									
44	19928-G1						TRANSFORMER	1	1
45	11027-G2						NUT, LOCK, 1/4 - 20	4	4
46	00414-G5						SCREW, 1/4 - 20 X 5/8 LG.	4	4
47	19388-G1						A.C. CORD	1	1
48	13557-G2						STRAIN RELIEF, PLASTIC (A.C. CORD)	1	1
49	20731-G1						D.C. CORD ASSEMBLY, 10 FT. (INCLUDES ITEMS 51 - 63)	1	1
50									
51	14489-G2						D.C. CORD, 10 FT.	1	1
52									
53	*						CONTACT, CONNECTOR	2	2
54	18782-G1						CONNECTOR (BLACK)	1	1
55	18972-G1						HANDLE INSTALLATION KIT	1	1
56	*						HANDLE, HALF, L.H.	1	1
57	*						HANDLE, HALF, R.H.	1	1
58									
59	00647-G8						SCREW, STAINLESS STEEL, #6 - 32 X 29/32 LG.	2	2
60	00647-G3						SCREW, STAINLESS STEEL, #6 - 32 X 3/8 LG.	2	2
61	13521-G5						NUT, LOCK, #6 - 32	4	4
62	00650-G2						WASHER, #5	AR	AR
63	20628-G1						LABEL, CAUTION	1	1
64	13557-G3						STRAIN RELIEF, PLASTIC (D.C. CORD)	1	1
65									
66									
67	00614-G4						SCREW, SELF-TAPPING, #8 X 1/2 LG.	10	10
68	19950-G1						ELECTRONIC MODULE ASSEMBLY (INCLUDES ITEMS 69 - 78)	1	1

BATTERY CHARGER, TOTAL CHARGE[®], PORTABLE

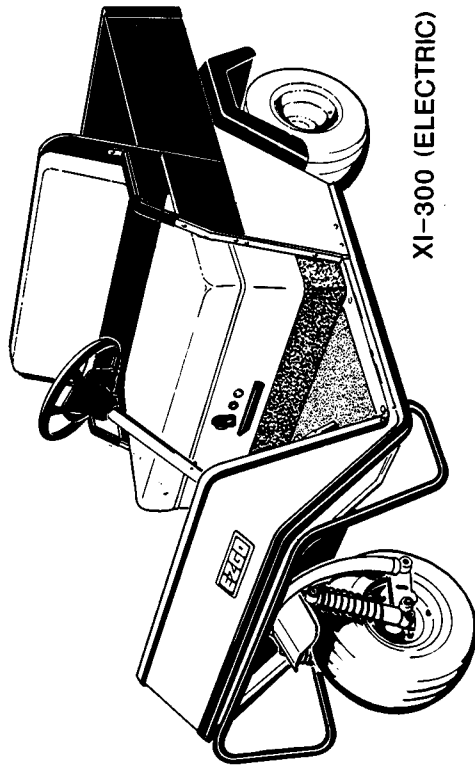
ELECTRIC POWERED TRUCK

THE USE OF NON U.L. PARTS WILL VOID ANY U.L. LISTING.

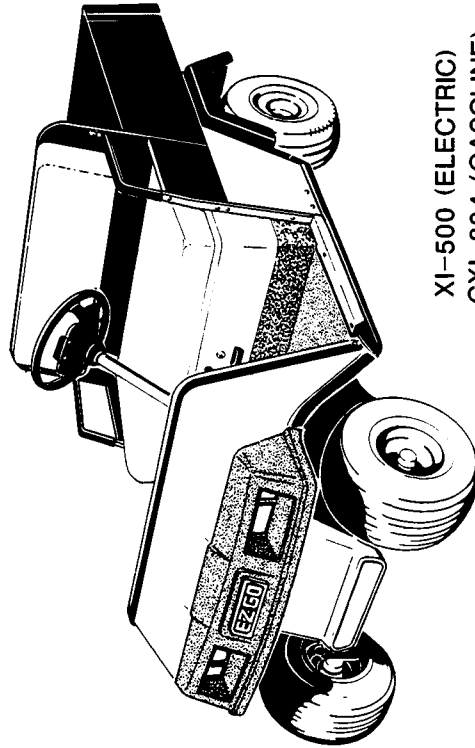
When ordering parts, please specify the model and serial number of the product.

* Indicates a component that is not available as an individual part.

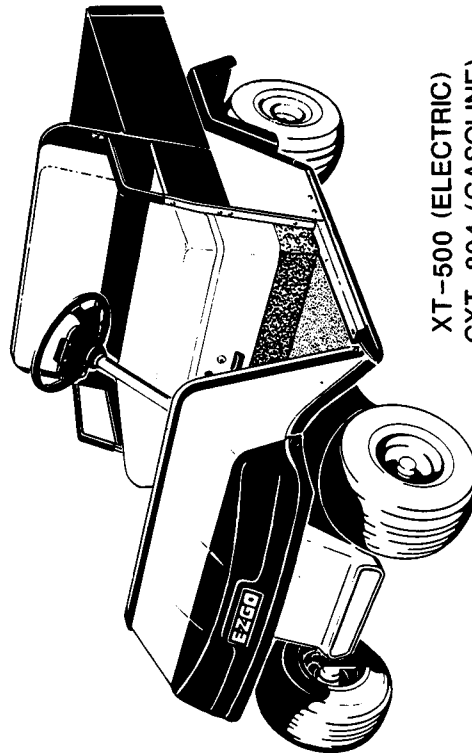
ITEM	PART NO.	1	2	3	4	5	DESCRIPTION	QTY	
								3 WHEEL	4 WHEEL
69	*						MODULE	1	1
70	19459-G1						BRACKET	1	1
71	00138-G5						SCREW, #6 - 32 X 5/8 LG.	4	4
72	19081-G1						STANDOFF	4	4
73	00736-G1						WASHER, NYLON	4	4
74	00735-G1						NUT, NYLON, #6 - 32	4	4
75	19402-G1						WIRE, 16 GAUGE, BLACK	1	1
76	19949-G1						WIRE, 16 GAUGE, YELLOW	1	1
77	19954-G1						WIRE, 18 GAUGE, BLACK	1	1
78	00559-G3						WASHER, #8	2	2
79									
80									
81	19363-G1						FUSE BLOCK	1	1
82	19361-G1						FUSE, 15 AMP	1	1
83	19434-G1						LABEL, IDENTIFICATION	1	1
84	19441-G1						WIRE, 12 GAUGE, WHITE	1	1
85	19362-G1						CIRCUIT BREAKER, 50 AMP (INCLUDES ITEMS 86 AND 87)	1	1
86	00559-G5						WASHER, #10	4	4
87	00526-G4						NUT, #10 - 32	2	2
88	00565-G4						WASHER, LOCK, #8	2	2
89	00526-G1						NUT, #8 - 32	2	2
90	00372-G6						SCREW, #8 - 32 X 3/4 LG.	2	2



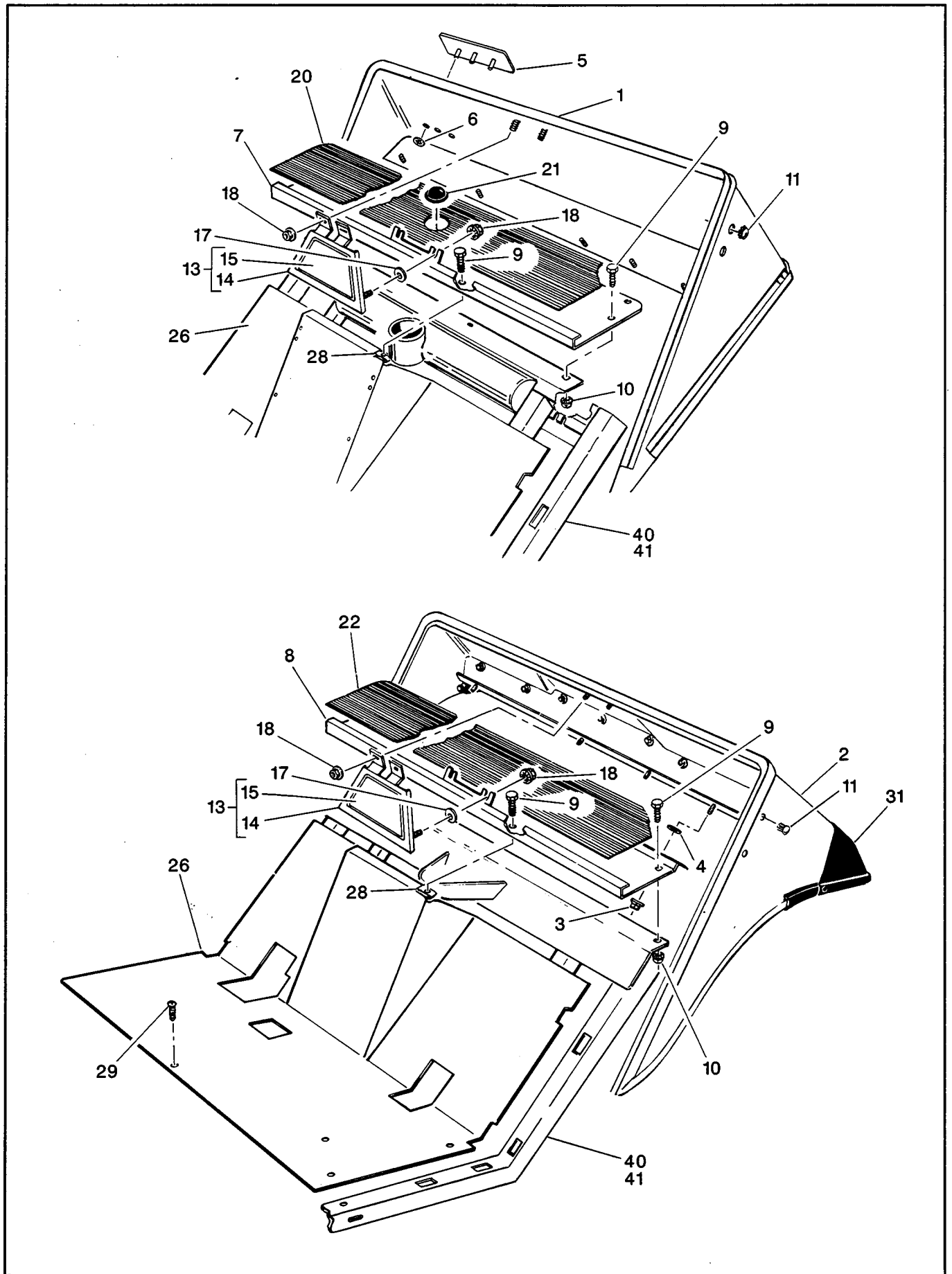
XI-300 (ELECTRIC)

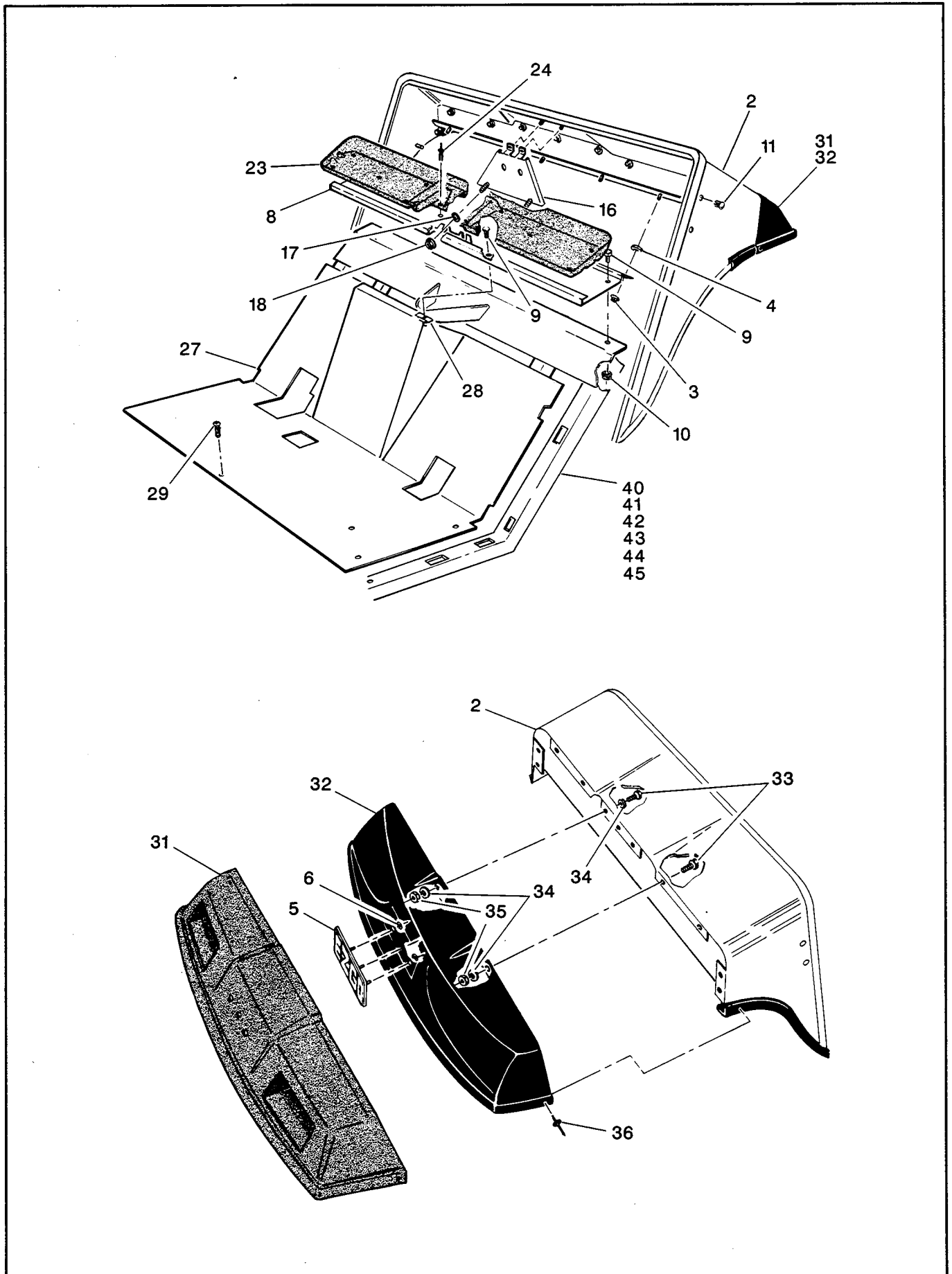


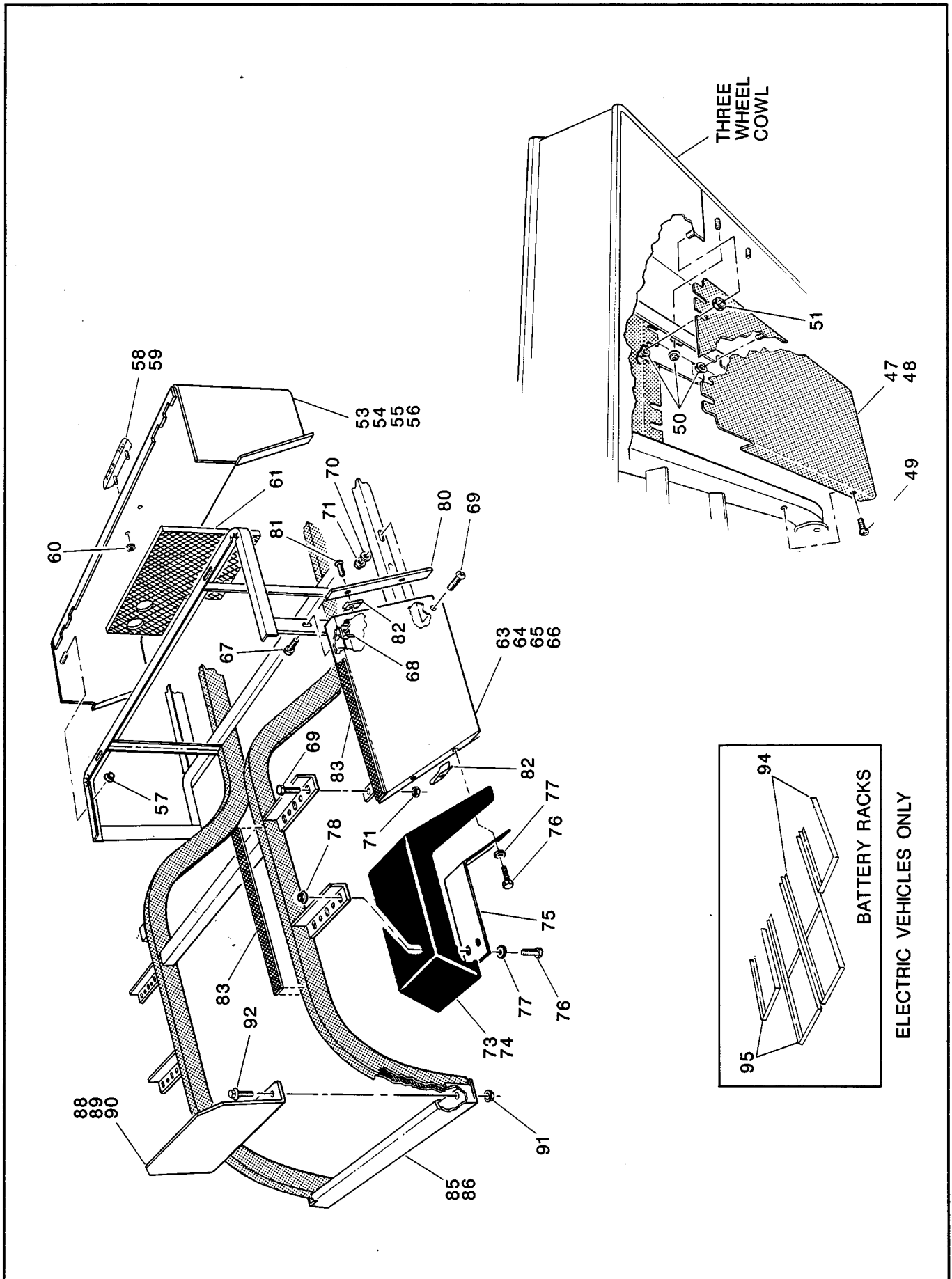
XI-500 (ELECTRIC)
GXI-804 (GASOLINE)

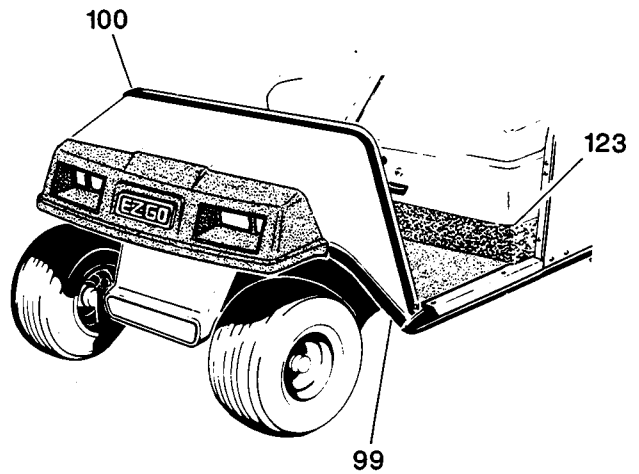
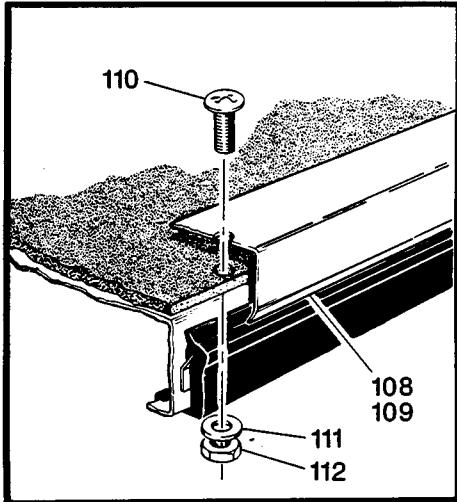
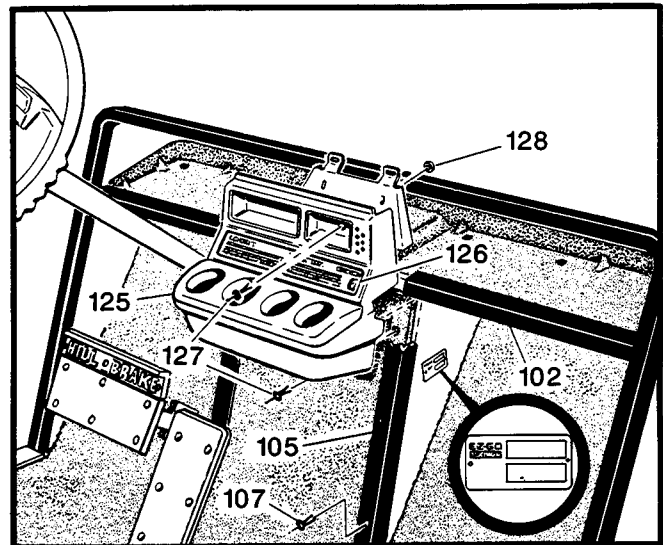
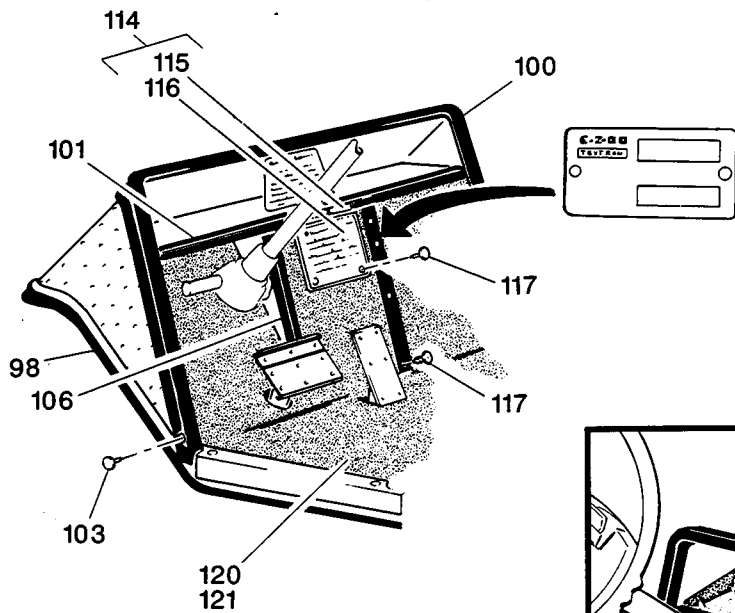


XT-500 (ELECTRIC)
GXT-804 (GASOLINE)









BODY AND ASSOCIATED PARTS

ELECTRIC/GASOLINE POWERED TRUCK

THE USE OF NON U.L. PARTS WILL VOID ANY U.L. LISTING.

When ordering parts, please specify the model and serial number of the product.

* Indicates a component that is not available as an individual part.

ITEM	PART NO.	1	2	3	4	5	DESCRIPTION	3 WHEEL	4 WHEEL
								QTY	QTY
1	20415-G1						COWL, XI-300	1	X
2	26513-G01						COWL, XI-500,XT-500,GXI-804, GXT-804	X	1
3	11027-G2						NUT, 1/4-20	16	16
4	00559-G8						WASHER, 5/16	X	5
5	19817-G1						NAMEPLATE, E-Z-GO	1	1
6	12064-G3						NUT, PUSH	3	3
7	18352-G3						TRAY, DASH	1	X
8	18353-G1						TRAY, DASH	X	1
9	00414-G6						SCREW,1/4-20 X 3/4 LG	5	5
10	11027-G2						NUT, LOCK,1/4-20	3	3
11	12088-G3						PLUG, BUTTON, STAINLESS STEEL	4	4
12									
13	19879-G1						SUPPORT, COWL ,XI-300,XI-500 (INCLUDES ITEMS 14,15)	1	1
14	*						SUPPORT	1	1
15	20412-G1						DECAL, WARNING	1	1
16	23148-G1						SUPPORT, COWL,XT-500,GXI-804,GXT-804, (OPT. XI-500)	X	1
17	00560-G1						WASHER, 3/8	2	2
18	11027-G2						NUT, 1/4-20	4	4
19									
20	17098-G1						MAT, DASH TRAY, XI-300	1	X
21	12110-G1						CAP, FORK STEM, XI-300	1	X
22	17097-G1						MAT, DASH TRAY, XI-500	X	1
23	22911-G1						LINER, DASH TRAY, XT-500, GXI-804, GXT-804 (OPT.XI-500) (INCLUDES ITEM 24)	X	1
24	18436-G1						RIVET, PLASTIC DRIVE	X	2
25									
26	15671-G4						FLOORBOARD, XI-300, XI-500 (INCLUDES ITEM 28)	1	1
27	15671-G5						FLOORBOARD, XT-500, GXI-804, GXT-804 (INCLUDES ITEM 28)	X	1
28	14776-G1						NUT,"J ", 1/4-20	2	2
29	00106-G6						SCREW, SELF DRILL AND TAP, #12-24 X 3/4 LG	23	23
30									
31	23674-G1						CAP, COWL XI-500, GXI-804	X	1
32	22914-G1						CAP, COWL XT-500, GXT-804	X	1
33	00228-G6						SCREW, #10-24 X 3/4 LG	X	9
34	00559-G5						WASHER, #10	X	18

BODY AND ASSOCIATED PARTS

ELECTRIC/GASOLINE POWERED TRUCK

THE USE OF NON U.L. PARTS WILL VOID ANY U.L. LISTING.

When ordering parts, please specify the model and serial number of the product.

* Indicates a component that is not available as an individual part.

ITEM	PART NO.	1	2	3	4	5	DESCRIPTION	3 WHEEL	4 WHEEL
								QTY	QTY
35	11098-G7						NUT, LOCK, #10-24	X	9
36	15058-G4						RIVET, BLACK ALUMINUM	X	2
37									
38									
39									
40	25479-G1						SIDERAIL, PASSENGER SIDE, XI-300	1	X
41	25479-G2						SIDERAIL, DRIVER SIDE, XI-300	1	X
42	25454-G3						SIDERAIL, PASSENGER SIDE, XI-500, XT-500	X	1
43	25454-G4						SIDERAIL, DRIVER SIDE, XI-500, XT-500	X	1
44	15664-G2						SIDERAIL, PASSENGER SIDE, GXI-804,GXT-804	X	1
45	15665-G2						SIDERAIL, DRIVER SIDE, GXI-804,GXT-804	X	1
46									
47	19837-G1						PANEL, SPLASH, PASSENGER SIDE, XI-300	1	X
48	19837-G3						PANEL ,SPLASH, DRIVER SIDE, XI-300	1	X
49	00106-G6						SCREW, SELF-DRILL AND TAP, #12-24X 3/4 LG	4	X
50	11027-G2						NUT, LOCK, 1/4-20	16	13
51	00544-G3						NUT, 5/16-18 (USED AS SPACER)	4	X
52									
53	20443-G3						SEAT WRAP, XI-300, XI-500	1	1
54	20443-G1						SEAT WRAP, XT-500	X	1
55	23961-G1						SEAT WRAP, GXI-804, GXT-804 (WITH STUDS FOR AIR BOX MOUNT)	X	1
56	23961-G3						SEAT WRAP, GXI-804, GXT-804 (AIR BOX MOUNT ON FRAME)	X	1
57	11027-G2						NUT, LOCK,1/4-20	9	9
58	19882-G1						INDICATOR, DIRECTION SELECTOR, XI-300,XI-500,XT-500	1	1
59	23791-G4						INDICATOR, DIRECTION SELECTOR, GXI-804, GXT-804	X	1
60	12064-G3						NUT, PUSH	3	3
61	22428-G1						PANEL, SOUND CONTROL, GXI-804, GXT-804	X	1
62									
63	18982-G1						PANEL, LOWER, XI-300, PASSENGER SIDE, XI-500, XT-500	1	1
64	18982-G2						PANEL, LOWER, DRIVER'S SIDE, XI-300, XI-500, XT-500	1	1
65	18191-G1						PANEL, LOWER, PASSENGER SIDE, GXI-804, GXT-804	X	1
66	18191-G2						PANEL, LOWER, DRIVER'S SIDE, GXI-804, GXT-804	X	1
67	13437-G3						SCREW, 5/16-18 X 1 LG	2	2
68	11840-G1						NUT, SPEED GRIP, 5/16	2	2

BODY AND ASSOCIATED PARTS

ELECTRIC/GASOLINE POWERED TRUCK

THE USE OF NON U.L. PARTS WILL VOID ANY U.L. LISTING.

When ordering parts, please specify the model and serial number of the product.

* Indicates a component that is not available as an individual part.

ITEM	PART NO.	1	2	3	4	5	DESCRIPTION	QTY	
								3 WHEEL	4 WHEEL
69	16705-G2						SCREW, TRUSS, STAINLESS STEEL, 1/4-20 X 3/4 LG	6	6
70	00559-G7						WASHER, 1/4	6	6
71	14390-G4						NUT, 1/4-20	6	6
72									
73	18213-G1						FENDER, PASSENGER SIDE	1	1
74	18213-G2						FENDER, DRIVER SIDE	1	1
75	18249-G1						BRACE, FENDER	2	2
76	00414-G6						SCREW, 1/4-20 X 3/4 LG	8	8
77	00559-G7						WASHER, 1/4	8	8
78	11027-G2						NUT, LOCK, 1/4-20	4	4
79									
80	22224-G1						TRIM	2	2
81	16705-G1						SCREW, TRUSS, 1/4-20 X 1 LG	4	4
82	14776-G1						NUT, "J ", 1/4-20	4	4
83	14382-G1						STRIP, NOISE SUPPRESSOR	4	4
84									
85	25192-G1						BUMPER, REAR, XI-300, XI-500, XT-500	1	1
86	23800-G2						BUMPER, REAR, GXI-804, GXT-804	1	1
87									
88	22282-G1						SHIELD, REAR, TAILLIGHT MOUNTING, XI-300, XI-500,	1	1
89	19876-G1						SHIELD, REAR, XT-500, GXT-804	X	1
90	22291-G1						SHIELD, REAR, TAILLIGHT MOUNTING, GXI-804	X	1
91	11027-G2						NUT, LOCK, 1/4-20	2	2
92	13437-G9						SCREW, 1/4-20 X 3/4 LG	2	2
93									
94	25457-G2						BATTERY RACK, RIGHT SIDE	1	1
95	25457-G3						BATTERY RACK, LEFT SIDE	1	1
96									
97									
98	22288-G3						VINYL BUMPER, BODY TRIM, FRONT AND SIDE, XI-300	1	X
99	23400-G1						VINYL BUMPER, BODY TRIM, FRONT AND SIDE, XI-500, XT-500, GXI-804, GXT-804	X	1
100	22273-G1						VINYL BUMPER, BODY TRIM, BACK OF COWL	1	1
101	17203-G4						VINYL BUMPER, BODY TRIM, DASH, XI-300, XI-500	1	1
102	17203-G9						VINYL BUMPER, BODY TRIM, DASH, XT-500, GXI-804, GXT-804 (OPT. XI-500)	X	1

BODY AND ASSOCIATED PARTS

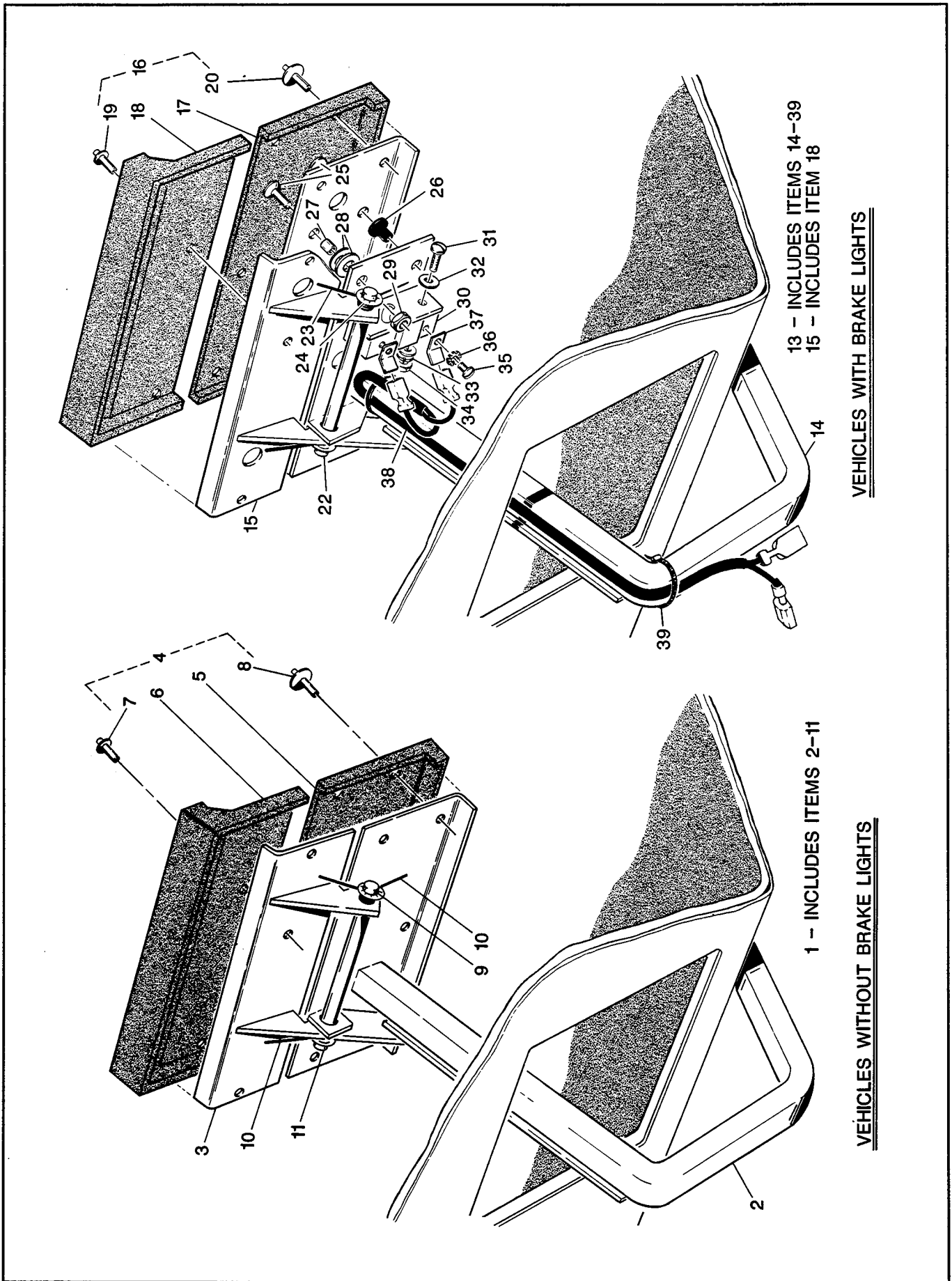
ELECTRIC/GASOLINE POWERED TRUCK

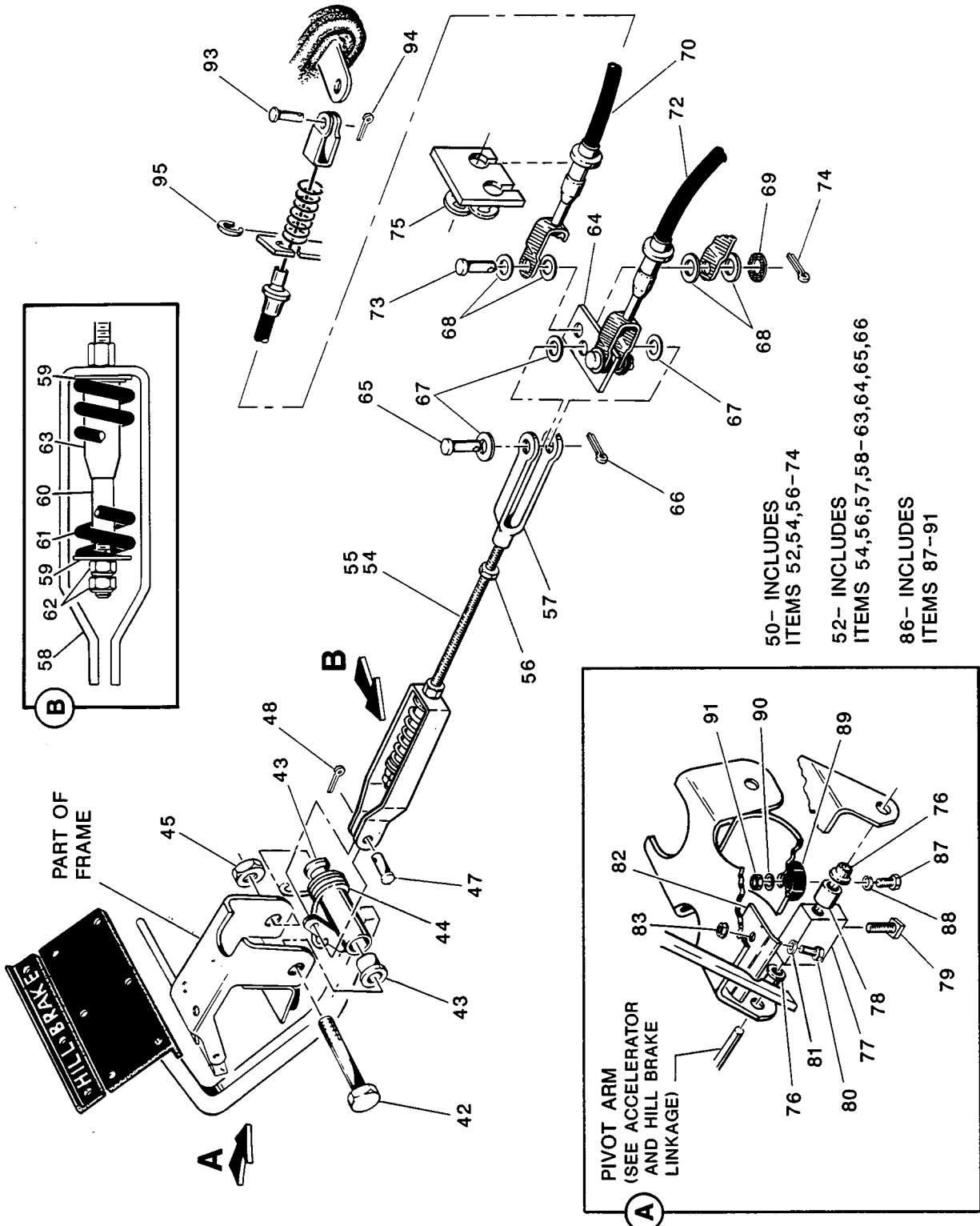
THE USE OF NON U.L. PARTS WILL VOID ANY U.L. LISTING.

When ordering parts, please specify the model and serial number of the product.

* Indicates a component that is not available as an individual part.

ITEM	PART NO.	1	2	3	4	5	DESCRIPTION	3 WHEEL	4 WHEEL
								QTY	
103	15058-G2						RIVET, BLACK ALUMINUM	4	4
104									
105	24620-G1						TRIM, FLOORMAT, PASSENGER SIDE	1	1
106	24620-G2						TRIM, FLOORMAT, DRIVER SIDE	1	1
107	18436-G1						RIVET, PLASTIC DRIVE	8	8
108	22223-G1						TRIM, ROCKER PANEL, PASSENGER SIDE	1	1
109	22223-G2						TRIM, ROCKER PANEL, DRIVER SIDE	1	1
110	16704-G1						SCREW, STAINLESS STEEL, 1/4-20 X 1 LG	4	4
111	00559-G7						WASHER, 1/4	8	8
112	14390-G4						NUT, 1/4-20	8	8
113									
114	17117-G2						DECAL AND PLATE ASSEMBLY, XI-300,XI-500 (INCLUDES ITEMS 115 AND 116)	1	1
115	*						PANEL, MOUNTING PLATE	1	1
116	23446-G1						LABEL, OPERATING INSTRUCTIONS	1	1
117	15058-G2						RIVET, 1/16	3	3
118									
119									
120	23969-G2						FLOORMAT, 3/16, XI-300, XI-500 (WITH HOLES FOR BATTERY CHARGER)	1	1
121	25091-G1						FLOORMAT, 3/16", XT-500, GXI-804, GXT-804	X	1
122									
123	18787-G1						SCUFF GUARD, SEAT WRAP	1	1
124									
125	26570-G09						CONSOLE CENTER, XT-500, XI-800, GXT-804,GXI-804 (INCLUDES ITEM 126)	X	1
126	26577-G01						LABEL, SAFETY	X	1
127	18436-G1						RIVET, PLASTIC DRIVE	X	4
128	00559-G7						WASHER, 1/4	X	2





BRAKE LINKAGE

ELECTRIC/GASOLINE POWERED TRUCK

THE USE OF NON U.L. PARTS WILL VOID ANY U.L. LISTING.

When ordering parts, please specify the model and serial number of the product.

* Indicates a component that is not available as an individual part.

ITEM	PART NO.	1	2	3	4	5	DESCRIPTION	3 WHEEL	4 WHEEL
								QTY	QTY
1	25253-G1						BRAKE PEDAL ASSEMBLY, VEHICLES WITHOUT BRAKE LIGHTS (INCLUDES ITEMS 2 - 11)	1	1
2	23037-G2						PEDAL, BRAKE (WITH PAD, ITEM 5)	1	1
3	15813-G1						PEDAL, HILL BRAKE (WITH PAD, ITEM 6)	1	1
4	15826-G1						BRAKE/HILL BRAKE PEDAL PAD KIT (INCLUDES ITEMS 5 - 8)	1	1
5	*						PAD, BRAKE PEDAL	1	1
6	*						PAD, HILL BRAKE PEDAL	1	1
7	15766-G1						RIVET, SMALL HEAD	3	3
8	15767-G1						RIVET, LARGE HEAD	6	6
9	15932-G1						PIN, HILL BRAKE PEDAL	1	1
10	11737-G1						SPRING, TORSION	2	2
11	12064-G1						PUSH, NUT	1	1
12									
13	22449-G1						BRAKE PEDAL ASSEMBLY, VEHICLES WITH BRAKE LIGHTS (INCLUDES ITEMS 14 - 39)	1	1
14	*						ARM, BRAKE PEDAL	1	1
15	15813-G1						PEDAL, HILL BRAKE (WITH PAD, ITEM 18)	1	1
16	15826-G1						BRAKE/HILL BRAKE PEDAL PAD KIT (INCLUDES ITEMS 17- 20)	1	1
17	*						PAD, BRAKE PEDAL	1	1
18	*						PAD, HILL BRAKE PEDAL	1	1
19	15766-G1						RIVET, SMALL HEAD	3	3
20	15767-G1						RIVET, LARGE HEAD	6	6
21	*						PLATE, BRAKE PEDAL	1	1
22	15932-G1						PIN, HILL BRAKE PEDAL	1	1
23	11737-G1						SPRING, TORSION	2	2
24	12064-G1						PUSH, NUT	1	1
25	00737-G7						SCREW, #10 - 24 X 3/4 LG	4	4
26	00739-G1						NUT, CAPTIVE, #10 - 24	2	2
27	22362-G1						STANDOFF, BRAKE PEDAL	2	2
28	24938-G1						SPRING, CONICAL	2	2
29	11098-G7						NUT, LOCK, #10 - 24	2	2
30	10606-G1						SWITCH, MICRO	1	1
31	00139-G2						SCREW, #6 - 32 X 1 1/4 LG.	2	2
32	00559-G3						WASHER, #6	4	4
33	00565-G3						WASHER, LOCK, #6	2	2

BRAKE LINKAGE

ELECTRIC/GASOLINE POWERED TRUCK

THE USE OF NON U.L. PARTS WILL VOID ANY U.L. LISTING.

When ordering parts, please specify the model and serial number of the product.

* Indicates a component that is not available as an individual part.

ITEM	PART NO.	1	2	3	4	5	DESCRIPTION	3	4
								WHEEL	WHEEL
								QTY	
34	00525-G5						NUT, #6 - 32	2	2
35	13514-G1						SCREW, BRASS	2	2
36	00567-G3						WASHER, LOCK, EXTERNAL TOOTH #6	2	2
37	14628-G1						FASTON TAB	2	2
38	22447-G1						WIRE HARNESS, BRAKE	1	1
39	17618-G1						CLAMP, NYLON	2	2
40									
41									
42	14158-G1						BOLT, SHOULDER, 3/8 - 16	1	1
43	11079-G1						BUSHING, FLANGED, NYLON	2	2
44	25292-G1						SPRING, TORSION	1	1
45	13521-G4						NUT, LOCK, 3/8 - 16	1	1
46									
47	10386-G3						PIN, CLEVIS	1	1
48	10387-G3						COTTER PIN, 3/32 X 3/4 LG	1	1
49									
50	25101-G1						BRAKE LINKAGE ASSEMBLY, GASOLINE VEHICLE (INCLUDES ITEMS 52, 54, 56 - 67)	1	1
51	25101-G2						BRAKE LINKAGE ASSEMBLY, ELECTRIC VEHICLE (INCLUDES ITEMS 53, 55 - 67)	1	1
52	23062-G1						COMPENSATING LINK ASSEMBLY, GASOLINE VEHICLE (INCLUDES ITEMS 54, 56 - 67)	1	1
53	23062-G2						COMPENSATING LINK ASSEMBLY, ELECTRIC VEHICLE (INCLUDES ITEMS 55 - 67)	1	1
54	*						ROD, GASOLINE VEHICLE	1	1
55	*						ROD, ELECTRIC VEHICLE	1	1
56	00544-G4						NUT, 5/16 - 24	1	1
57	10385-G4						YOKE, CLEVIS	1	1
58	23030-G1						YOKE, BRAKE	1	1
59	15121-G1						WASHER, 5/16	2	2
60	23061-G2						TUBE	1	1
61	23463-G1						SPRING, COMPRESSION	1	1
62	00532-G4						NUT, LOCK, 5/16 - 24	2	2
63	17979-G1						BUSHING, ACCELERATOR ROD	1	1
64	13659-G1						BAR, EQUALIZER	1	1

BRAKE LINKAGE

ELECTRIC/GASOLINE POWERED TRUCK

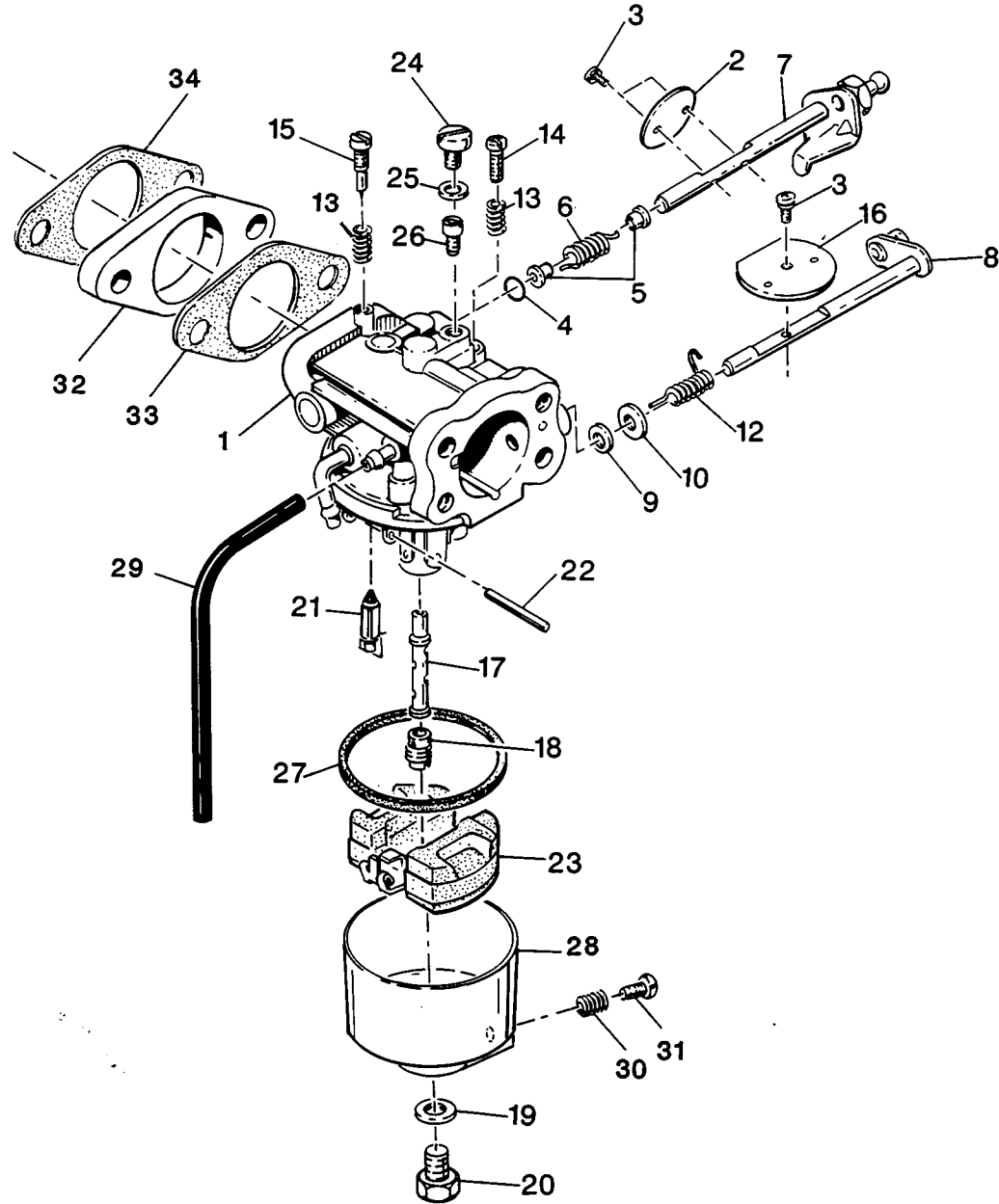
THE USE OF NON U.L. PARTS WILL VOID ANY U.L. LISTING.

When ordering parts, please specify the model and serial number of the product.

* Indicates a component that is not available as an individual part.

3 WHEEL	4 WHEEL
---------	---------

ITEM	PART NO.	1	2	3	4	5	DESCRIPTION	QTY	
								3 WHEEL	4 WHEEL
65	10386-G3						PIN, CLEVIS	1	1
66	10387-G3						COTTER PIN, 3/32 X 3/4 LG	1	1
67	17255-G1						WASHER, NYLON	3	3
68	17255-G1						WASHER, NYLON	8	8
69	00559-G8						WASHER, FLAT	2	2
70	25789-G02						CABLE, BRAKE, PASSENGER SIDE	1	1
71									
72	25789-G01						CABLE, BRAKE, DRIVER'S SIDE	1	1
73	10386-G3						PIN, CLEVIS	2	2
74	10387-G3						COTTER PIN, 3/32 X 3/4 LG	2	2
75	12305-G1						RING, RETAINING	2	2
76	10097-G6						BEARING, FLANGED	2	2
77	25103-G1						CAM, HILL BRAKE	1	1
78	14134-G2						SPACER	1	1
79	00491-G4						SETSCREW, 1/4 - 20 X 3/8 LG	2	2
80	00414-G6						SCREW, 1/4 - 20 X 3/4 LG	2	2
81	00565-G7						WASHER, LOCK, 1/4	2	2
82	15022-G1						BRACKET, CATCH	1	1
83	11027-G2						NUT, LOCK, 1/4 - 20	2	2
84									
85									
86	14061-G1						PEDAL BUMPER SERVICE KIT (INCLUDES ITEMS 87 - 91)	1	1
87	00150-G6						SCREW, #10 - 24 X 3/4 LG	1	1
88	00559-G5						WASHER, #10	1	1
89	14061-G1						BUMPER, RUBBER	1	1
90	00565-G5						WASHER, LOCK, #10	1	1
91	00526-G3						NUT, #10 - 24	1	1
92									
93	10386-G3						PIN, CLEVIS	2	2
94	10387-G3						COTTER PIN, 3/32 X 3/4 LG	2	2
95	12305-G1						RING, RETAINING	2	2



CARBURETOR

GASOLINE POWERED TRUCK

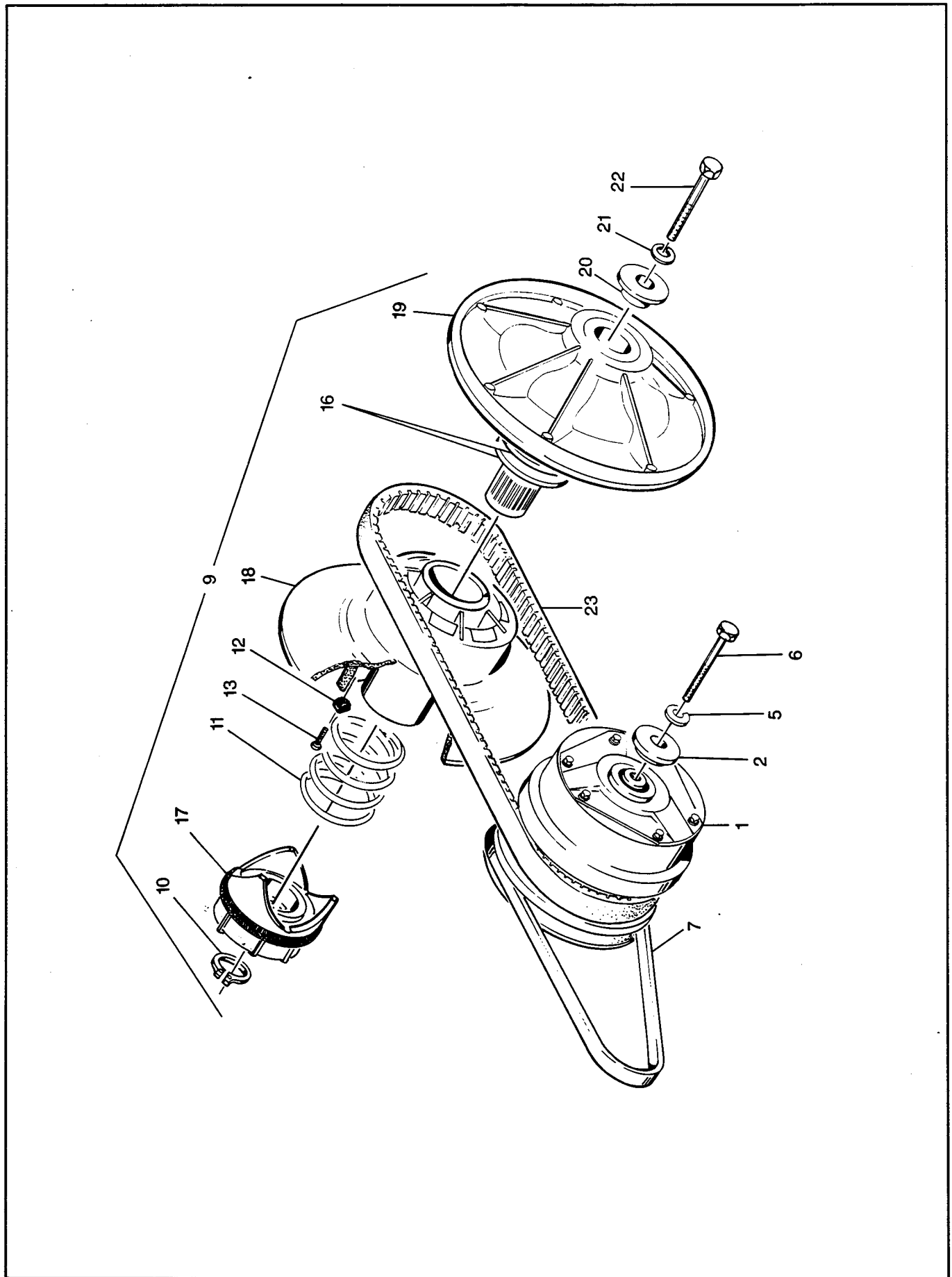
THE USE OF NON U.L. PARTS WILL VOID ANY U.L. LISTING.

When ordering parts, please specify the model and serial number of the product.

* Indicates a component that is not available as an individual part.

3 WHEEL	4 WHEEL
------------	------------

ITEM	PART NO.	1	2	3	4	5	DESCRIPTION	QTY	
1	26645-G01						CARBURETOR ASSEMBLY (INCLUDES ITEMS 2 - 32)		1
2	26748-G01						VALVE, THROTTLE		1
3	26749-G01						SCREW		3
4	26750-G01						RING, OV		1
5	26751-G01						COLLAR		2
6	26752-G01						SPRING, THROTTLE RETURN		1
7	26753-G01						SHAFT, THROTTLE		1
8	26754-G01						SHAFT, CHOKE		1
9	26755-g01						BUSHING		1
10	26756-G01						COLLAR		1
11									
12	26757-G01						SPRING, CHOKE RETURN		1
13	26758-G01						SPRING		2
14	26759-G01						SCREW		1
15	26835-G01						SCREW, PILOT		1
16	26836-G01						VALVE, CHOKE		1
17	26837-G01						NOZZLE, MAIN		1
18	26646-G01						JET, MAIN (#88)		1
19	26838-G01						GASKET		1
20	26839-G01						SCREW		1
21	26647-G01						VALVE, NEEDLE		1
22	26840-G01						PIN		1
23	26648-G01						FLOAT		1
24	26841-G01						PLUG		1
25	26842-G01						GASKET		1
26	26649-G01						JET, SLOW (#46)		1
27	26843-G01						WASHER, THRUST		1
28	26844-G01						CHAMBER, FLOAT		1
29	26650-G01						TUBE, CARBURETOR VENT		1
30	26845-G01						SPRING		1
31	26846-G01						SCREW, DRAIN		1
32	26637-G01						INSULATOR		1
33	26725-G01						GASKET		1
34	26726-G01						GASKET		1



CLUTCHES

GASOLINE POWERED TRUCK

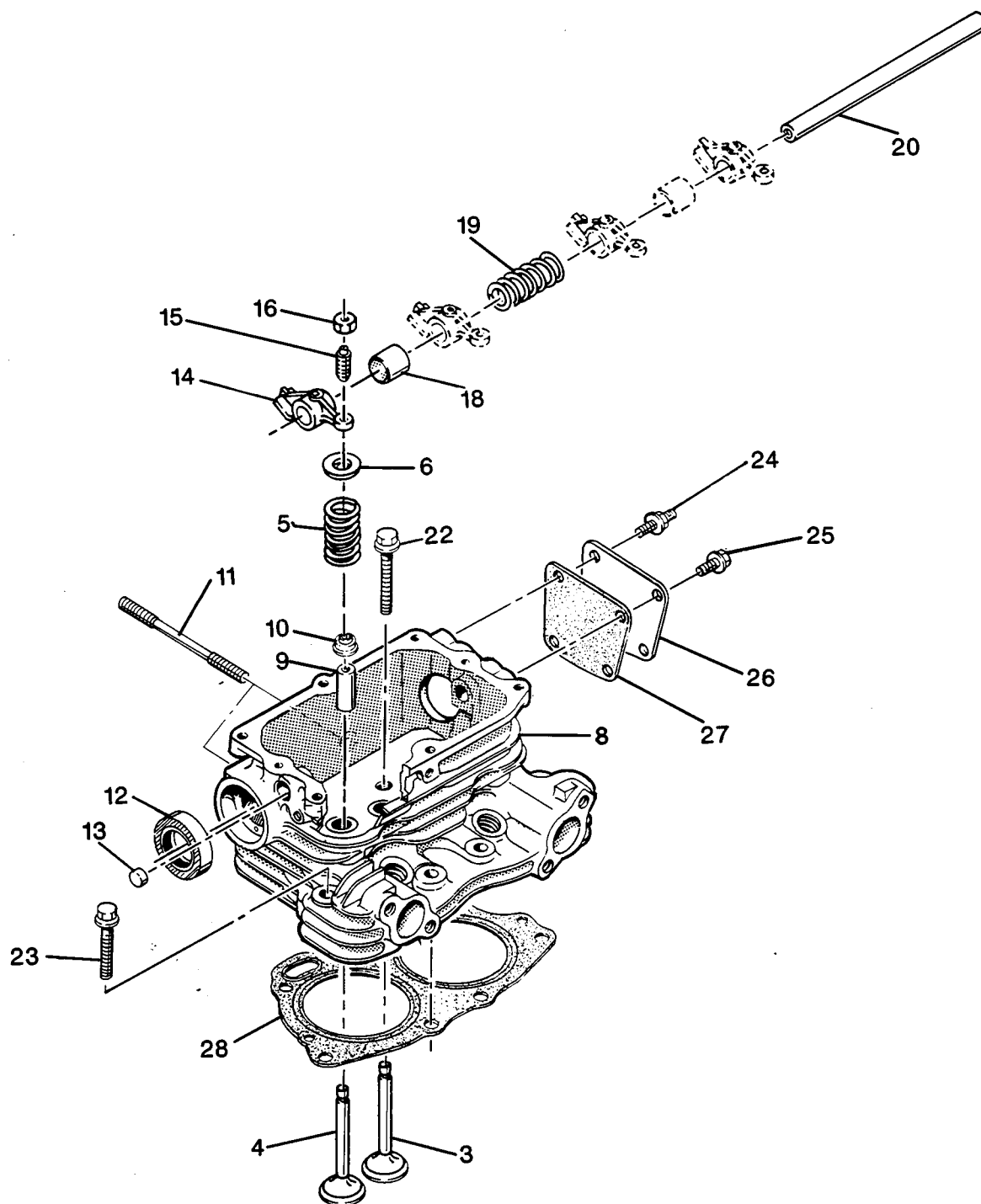
THE USE OF NON U.L. PARTS WILL VOID ANY U.L. LISTING.

When ordering parts, please specify the model and serial number of the product.

* Indicates a component that is not available as an individual part.

3 WHEEL	4 WHEEL
---------	---------

ITEM	PART NO.	1	2	3	4	5	DESCRIPTION	QTY	
								3 WHEEL	4 WHEEL
1	23817-G1						CLUTCH, DRIVE		1
2	23213-G1						WASHER, PILOT		1
3									
4									
5	00566-G2						WASHER, LOCK, 7/16		1
6	00473-G9						SCREW, 7/16 - 20 X 6 1/2 LG.		1
7	XXXXX-XX						BELT, STARTER/GENERATOR (SEE ENGINE/STARTER MOUNTING SECTION FOR PART NUMBER AND QUANTITY)		
8									
9	25632-G01						DRIVEN CLUTCH ASSEMBLY (INCLUDES ITEMS 10 - 19)		1
10	24594-G1						RING, RETAINING		1
11	25612-G1						SPRING, COMPRESSION		1
12	25613-G1						BUTTON, RAMP		3
13	24598-G1						SCREW, #8 - 32 X 3/4 LG.		3
14									
15									
16	24600-G1						WASHER, SPACER		2
17	*						CAM		1
18	*						SHEAVE, MOVEABLE		1
19	*						SHEAVE AND POST		1
20	22496-G1						WASHER, RETAINING		1
21	00565-G8						WASHER, LOCK, 5/16		1
22	00441-G8						SCREW, 5/16 - 18 X 4 LG.		1
23	22337-G1						BELT, DRIVE		1
24	**						PULLER, CLUTCH		AR
	**						SEE APPENDIX FOR SERVICE ACCESSORIES AND SPECIAL TOOLS		



CYLINDER HEAD AND VALVE ASSEMBLY

GASOLINE POWERED TRUCK

THE USE OF NON U.L. PARTS WILL VOID ANY U.L. LISTING.

When ordering parts, please specify the model and serial number of the product.

* Indicates a component that is not available as an individual part.

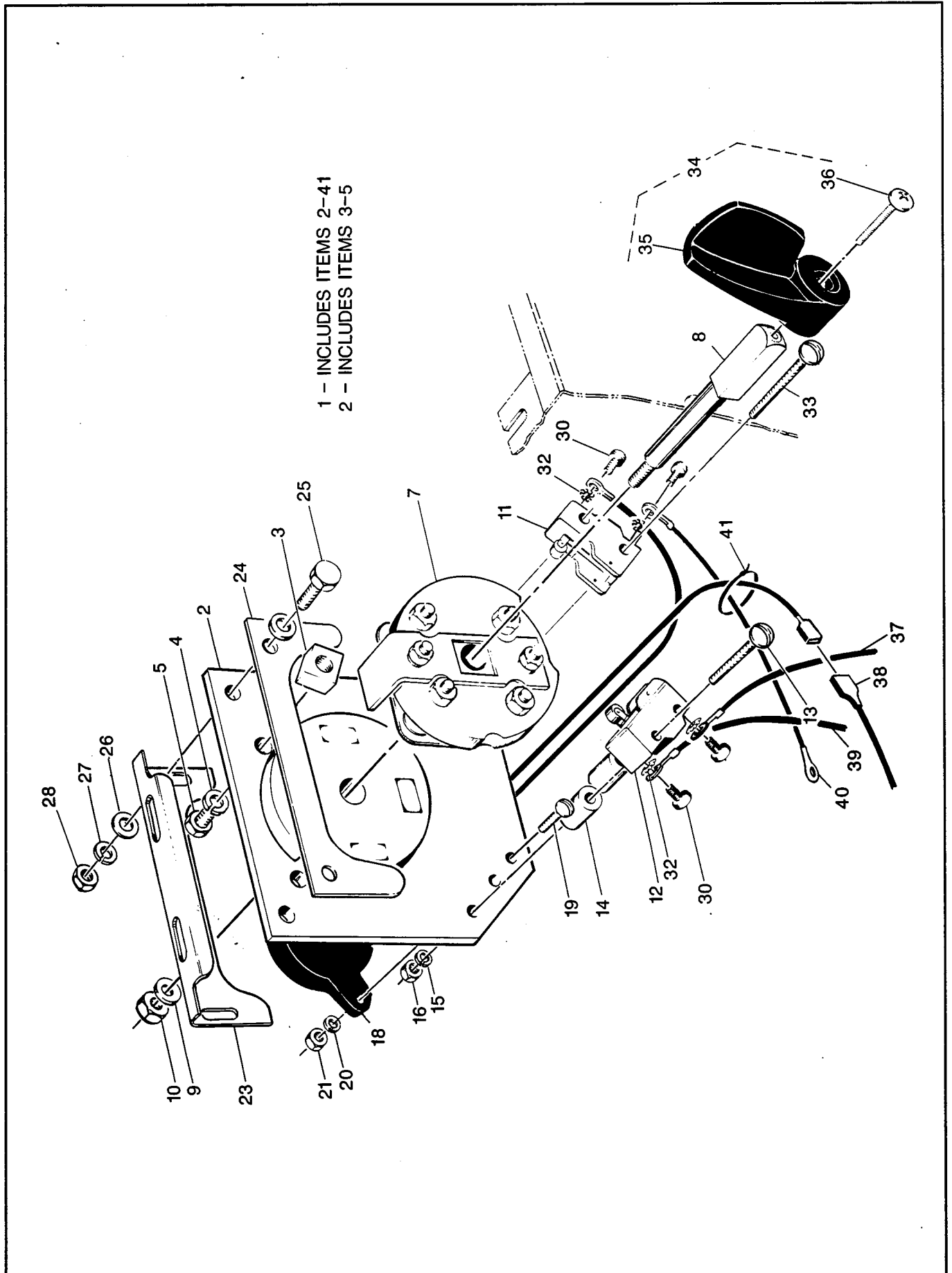
3 WHEEL	4 WHEEL
---------	---------

ITEM	PART NO.	1	2	3	4	5	DESCRIPTION	QTY	
								3 WHEEL	4 WHEEL
1									
2	26740-G01						CYLINDER HEAD C/W VALVES ASSEMBLY (INCLUDES ITEMS 3 - 31) ..		1
3	26616-G01						INTAKE VALVE		2
4	26617-G01						EXHAUST VALVE		2
5	26618-G01						SPRING, VALVE		4
6	26619-G01						RETAINER, VALVE SPRING		4
7									
8	26598-G01						HEAD ASSEMBLY (INCLUDES ITEMS 9 - 13)		1
9	26659-G01						VALVE GUIDE, OVERSIZED		4
10	26714-G01						SEAL, VALVE STEM		4
11	26667-G01						STUD, CARBURETOR		2
12	26715-G01						SEAL, OIL		1
13	26668-G01						PLUG, #3, CYLINDER HEAD		1
14	26621-G01						ROCKER ARM ASSEMBLY (INCLUDES ITEMS 15 AND 16)		1
15	26622-G01						SCREW, ADJUSTING (SPECIAL)		4
16	26623-G01						NUT, ROCKER ARM (SPECIAL)		4
17									
18	26624-G01						SPACER, ROCKER SHAFT		2
19	26625-G01						SPRING, ROCKER SHAFT		1
20	26620-G01						ROCKER, SHAFT		1
21									
22	26674-G01						BOLT, FLANGED, M8 X 1.25 X 60 MM LG.		1
23	26673-G01						BOLT, FLANGED, M8 X 1.25 X 50 MM LG.		4
24	26679-G01						BOLT, COVER (SPECIAL)		1
25	26678-G01						BOLT, FLANGED, M6 X 1.0 X 12 MM		6
26	26599-G01						COVER, CAMSHAFT		1
27	26718-G01						GASKET, COVER, CAM		1
28	16716-G01						GASKET, HEAD		1

DIRECTION SELECTOR LEVER

ELECTRIC POWERED TRUCK

VEHICLES EQUIPPED WITH SOLID STATE CONTROL MODULE ONLY



DIRECTION SELECTOR

ELECTRIC POWERED TRUCK

VEHICLES EQUIPPED WITH SOLID STATE SPEED CONTROL

THE USE OF NON U.L. PARTS WILL VOID ANY U.L. LISTING.

When ordering parts, please specify the model and serial number of the product.

* Indicates a component that is not available as an individual part.

3 WHEEL	4 WHEEL
---------	---------

ITEM	PART NO.	1	2	3	4	5	DESCRIPTION	QTY	
								3 WHEEL	4 WHEEL
1	25396-G2	DIRECTION SELECTOR ASSEMBLY (INCLUDES ITEMS 2 - 41)						1	1
2	14651-G1	CONTACT BOARD ASSEMBLY (INCLUDES ITEMS 3 - 5)						1	1
3	24940-G1	STOP						2	2
4	00565-G7	WASHER, LOCK, 1/4						2	2
5	00414-G7	SCREW, 1/4 - 20 X 3/4 LG.						2	2
6									
7	12835-G1	CAM UNIT, DIRECTION SELECTOR						1	1
8	19470-G1	SHAFT, DIRECTION SELECTOR						1	1
9	00560-G1	WASHER, 3/8						1	1
10	14390-G1	NUT, LOCK, 3/8 - 24						1	1
11	12796-G2	SWITCH, MICRO						1	1
12	10606-G4	SWITCH, MICRO						1	1
13	00139-G6	SCREW, #6 - 32 X 1 3/4 LG.						2	2
14	12806-G1	SPACER, MICRO SWITCH						2	2
15	00565-G3	WASHER, LOCK, #6						4	4
16	00525-G5	NUT, #6 - 32						4	4
17									
18	17940-G1	BUZZER						1	1
19	00138-G5	SCREW, #6 - 32 X 5/8 LG.						2	2
20	00565-G3	WASHER, LOCK, #6						2	2
21	00525-G5	NUT, #6 - 32						2	2
22									
23	12863-G1	BRACKET, MOUNTING						1	1
24	15461-G1	SUPPORT, BRACKET MOUNTING						1	1
25	00414-G8	SCREW, 1/4 - 20 X 1 LG.						2	2
26	00559-G7	WASHER, 1/4						2	2
27	00565-G7	WASHER, LOCK, 1/4						2	2
28	00532-G1	NUT, 1/4 - 20						2	2
29									
30	13514-G1	SCREW, BRASS, #6 - 32 X .22 LG.						4	4
31	14628-G1	TAB, FASTON						2	2
32	00567-G3	WASHER, LOCK, EXTERNAL TOOTH, #6						4	4
33	00139-G8	SCREW, #6 - 32 X 2 LG.						2	2

DIRECTION SELECTOR

ELECTRIC POWERED TRUCK

VEHICLES EQUIPPED WITH SOLID STATE SPEED CONTROL

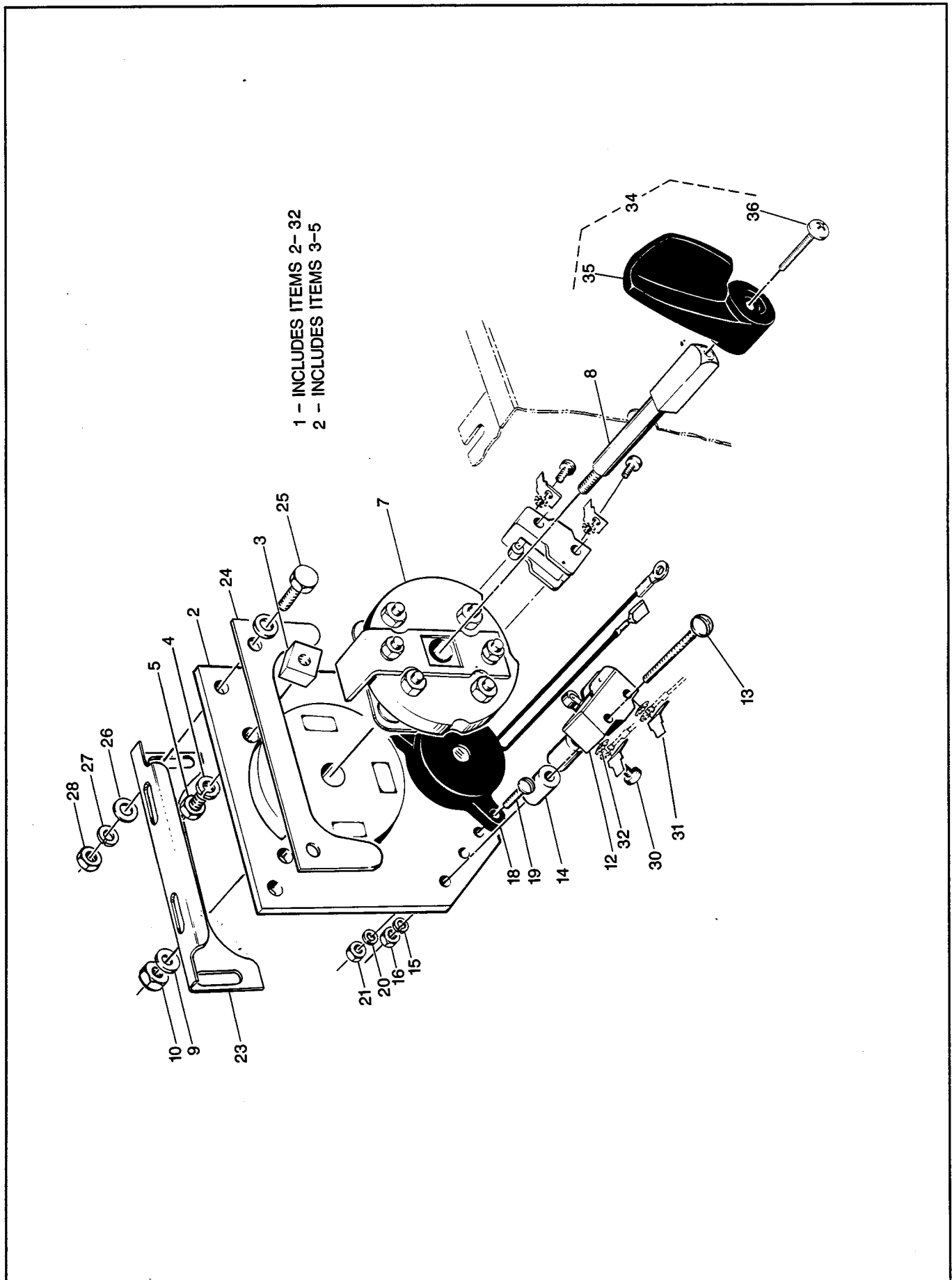
THE USE OF NON U.L. PARTS WILL VOID ANY U.L. LISTING.

When ordering parts, please specify the model and serial number of the product.

* Indicates a component that is not available as an individual part.

ITEM	PART NO.	1	2	3	4	5	DESCRIPTION	QTY	
								3 WHEEL	4 WHEEL
34	20325-G1						SWITCH HANDLE KIT (INCLUDES ITEMS 35 AND 36)	1	1
35	19886-G1						HANDLE, PLASTIC	1	1
36	00740-G4						SCREW, #10 - 32 X 1/2 LG.	1	1
37	14619-G2						WIRE (BLUE)	1	1
38	21743-G1						WIRE (BLACK)	1	1
39	23862-G2						WIRE (RED)	1	1
40	23645-G1						WIRE	1	1
41	17618-G1						CLAMP, NYLON	3	3

RESISTOR COIL VERSION ONLY



DIRECTION SELECTOR

ELECTRIC POWERED TRUCK

RESISTOR COIL VERSION ONLY

THE USE OF NON U.L. PARTS WILL VOID ANY U.L. LISTING.

When ordering parts, please specify the model and serial number of the product.

* Indicates a component that is not available as an individual part.

		3 WHEEL	4 WHEEL
ITEM	PART NO.	QTY	

ITEM	PART NO.	1	2	3	4	5	DESCRIPTION	QTY	
1	25396-G1						FORWARD-NEUTRAL-REVERSE SWITCH ASSEMBLY (INCLUDES ITEMS 2 - 32)	1	1
2	14651-G1						CONTACT BOARD ASSEMBLY (INCLUDES ITEMS 3 - 5)	1	1
3	24940-G1						STOP	2	2
4	00565-G7						WASHER, LOCK, 1/4	2	2
5	00414-G7						SCREW, 1/4 - 20 X 3/4 LG.	2	2
6									
7	12835-G1						CAM UNIT, FORWARD-NEUTRAL-REVERSE SWITCH	1	1
8	19470-G1						SHAFT, FORWARD-NEUTRAL-REVERSE SWITCH	1	1
9	00560-G1						WASHER, 3/8	1	1
10	14390-G1						NUT, LOCK, 3/8 - 24	1	1
11									
12	10606-G4						SWITCH, MICRO	2	2
13	00139-G6						SCREW, #6 - 32 X 1 3/4 LG.	4	4
14	12806-G1						SPACER, MICRO SWITCH	4	4
15	00565-G3						WASHER, LOCK, #6	4	4
16	00525-G5						NUT, #6 - 32	4	4
17									
18	17940-G2						BUZZER	1	1
19	00138-G5						SCREW, #6 - 32 X 5/8 LG.	2	2
20	00565-G3						WASHER, LOCK, #6	2	2
21	00525-G5						NUT, #6 - 32	2	2
22									
23	12863-G1						BRACKET, MOUNTING	1	1
24	15461-G1						SUPPORT, BRACKET MOUNTING	1	1
25	00414-G8						SCREW, 1/4 - 20 X 1 LG.	2	2
26	00559-G7						WASHER, 1/4	2	2
27	00565-G7						WASHER, LOCK, 1/4	2	2
28	00532-G1						NUT, 1/4 - 20	2	2
29									
30	13514-G1						SCREW, BRASS, #6 - 32 X .22 LG.	4	4
31	14628-G1						FASTON TAB	4	4
32	00567-G3						WASHER, LOCK, EXTERNAL TOOTH, #6	4	4
33									

DIRECTION SELECTOR

ELECTRIC POWERED TRUCK

RESISTOR COIL VERSION ONLY

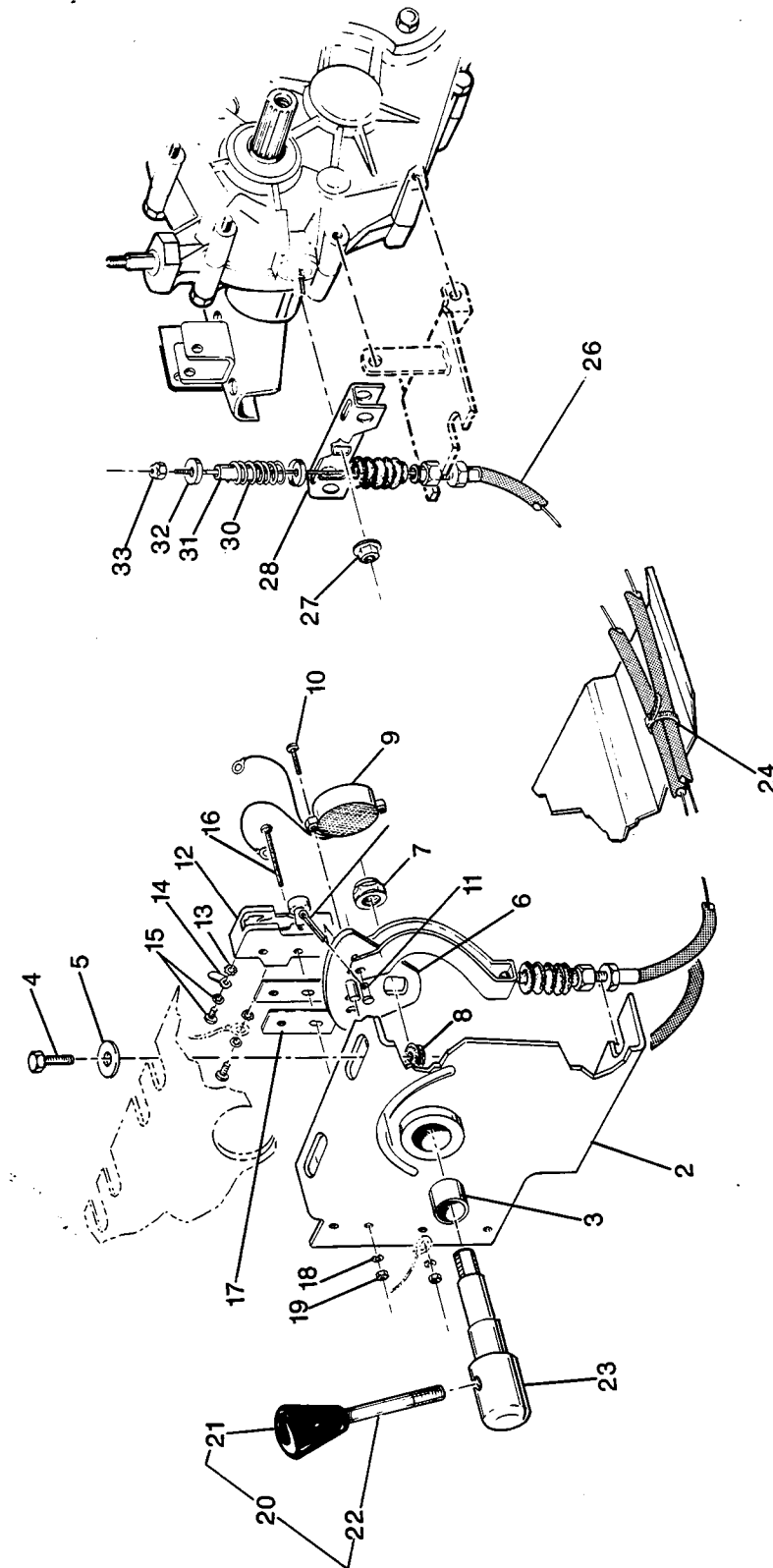
THE USE OF NON U.L. PARTS WILL VOID ANY U.L. LISTING.

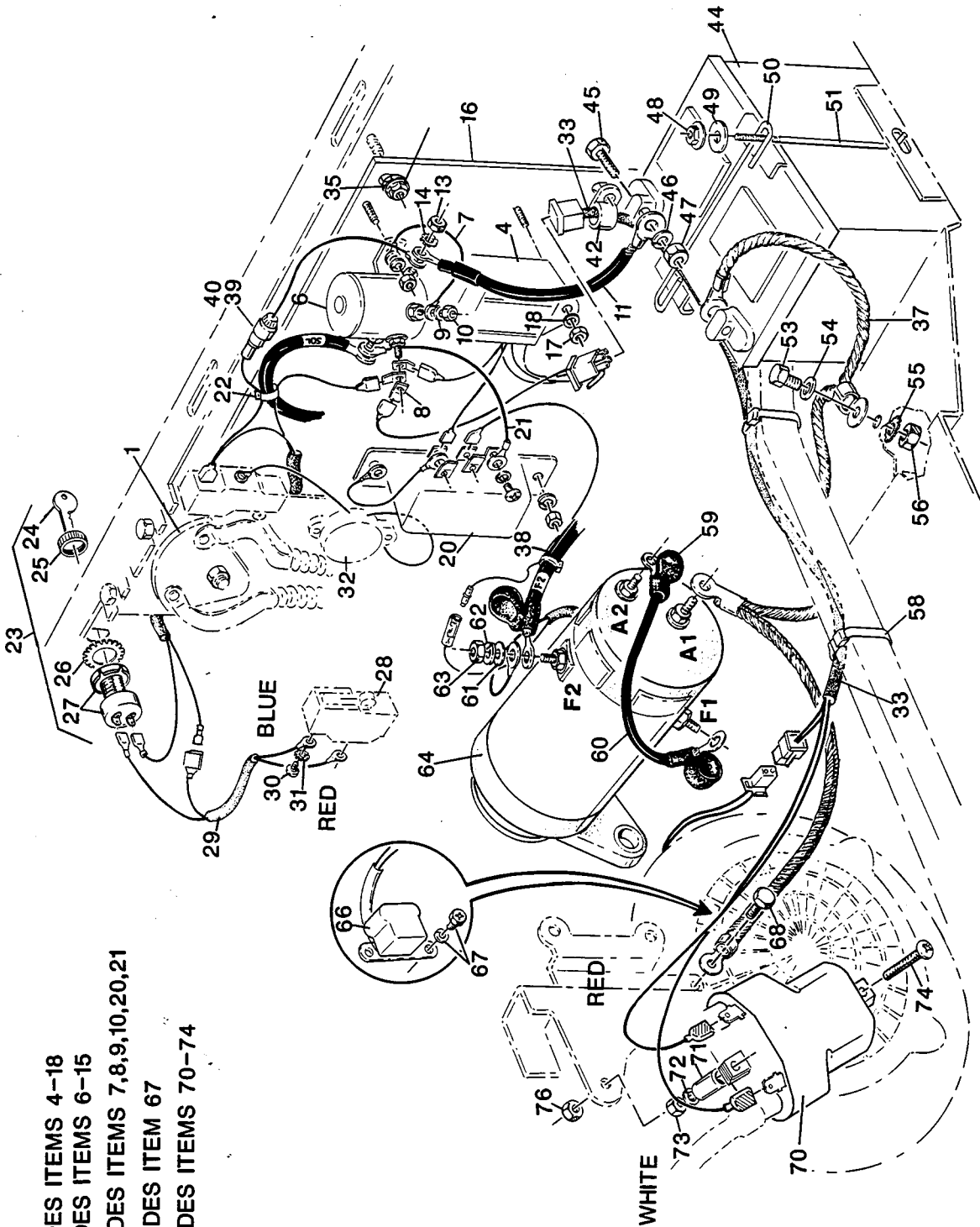
When ordering parts, please specify the model and serial number of the product.

* Indicates a component that is not available as an individual part.

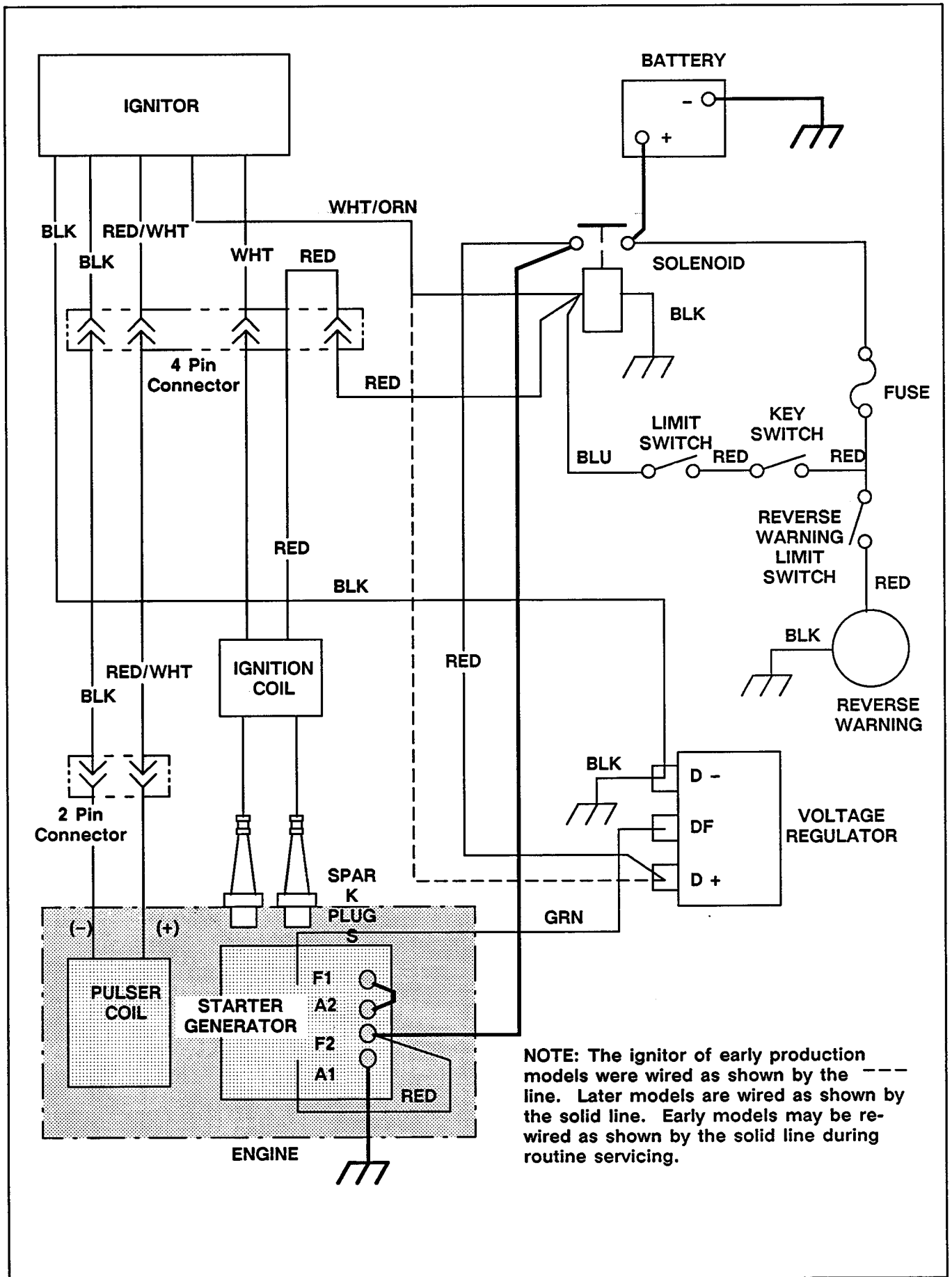
3 WHEEL	4 WHEEL
---------	---------

ITEM	PART NO.	1	2	3	4	5	DESCRIPTION	QTY	
								3 WHEEL	4 WHEEL
34	20325-G1						SWITCH HANDLE KIT (INCLUDES ITEMS 35 AND 36)	1	1
35	19886-G1						HANDLE, PLASTIC	1	1
36	00740-G4						SCREW, #10 - 32 X 1/2 LG.	1	1





- 3-INCLUDES ITEMS 4-18
- 5-INCLUDES ITEMS 6-15
- 19-INCLUDES ITEMS 7,8,9,10,20,21
- 66-INCLUDES ITEM 67
- 69-INCLUDES ITEMS 70-74



ELECTRICAL SYSTEM, 4-CYCLE

GASOLINE POWERED TRUCK

THE USE OF NON U.L. PARTS WILL VOID ANY U.L. LISTING.

When ordering parts, please specify the model and serial number of the product.

* Indicates a component that is not available as an individual part.

ITEM	PART NO.	1	2	3	4	5	DESCRIPTION	3 WHEEL	4 WHEEL
								QTY	QTY
33	26583-G01						HARNESS WIRING, JUMPER		1
34	11027-G2						NUT, LOCK, 1/4 -20		4
35	00565-G7						WASHER, LOCK		4
36	00106-G6						SCREW, SELF TAPPING		1
37	27044-G01						CABLE, NEGATIVE BATTERY		1
38	25945-G01						WIRE HARNESS		1
39	25936-G01						FUSE HOLDER ASSEMBLY (INCLUDES ITEM 40)		1
40	18392-G6						FUSE, 7 AMP		1
41									
42	11845-G1						CLAMP, CABLE CLIP, 3/4		1
43									
44	24775-G1						BATTERY, 12 VOLT		1
45	00962-G1						SCREW, 5/16 - 18 X 1 1/4		2
46	00664-G8						WASHER, LOCK, 5/16		2
47	00669-G3						NUT, 5/16 - 18		2
48	14390-G4						NUT, LOCK, 5/16		2
49	00571-G2						WASHER, 5/16		2
50	18258-G2						RETAINER, BATTERY		1
51	18261-G3						ROD, HOLD DOWN BATTERY		2
52									
53	00414-G5						BOLT, 1/4 - 20 X 1/2 LG.		1
54	00660-G7						WASHER, 1/4		1
55	00567-G7						WASHER, LOCK, EXTERNAL TOOTH, 1/4		1
56	00532-G1						NUT, 1/4 - 20		1
57									
58	17618-G1						CLAMP, NYLON		2
59	25682-G1						COVER, TERMINAL		3
60	25887-G01						WIRE, 6 GAUGE		1
61	26702-G01						WASHER, 6.5 MM		4
62	51400-G1						WASHER, LOCK, 6 MM		4
63	13632-G1						NUT, M6 X 1		4
64	XXXX-XX						STARTER/GENERATOR (SEE SECTION CC FOR PART NUMBERS AND QUANTITIES)		1
65									
66	26651-G01						IGNITION PICKUP ASSEMBLY (INCLUDES ITEM 67)		1

ELECTRICAL SYSTEM, 4-CYCLE

GASOLINE POWERED TRUCK

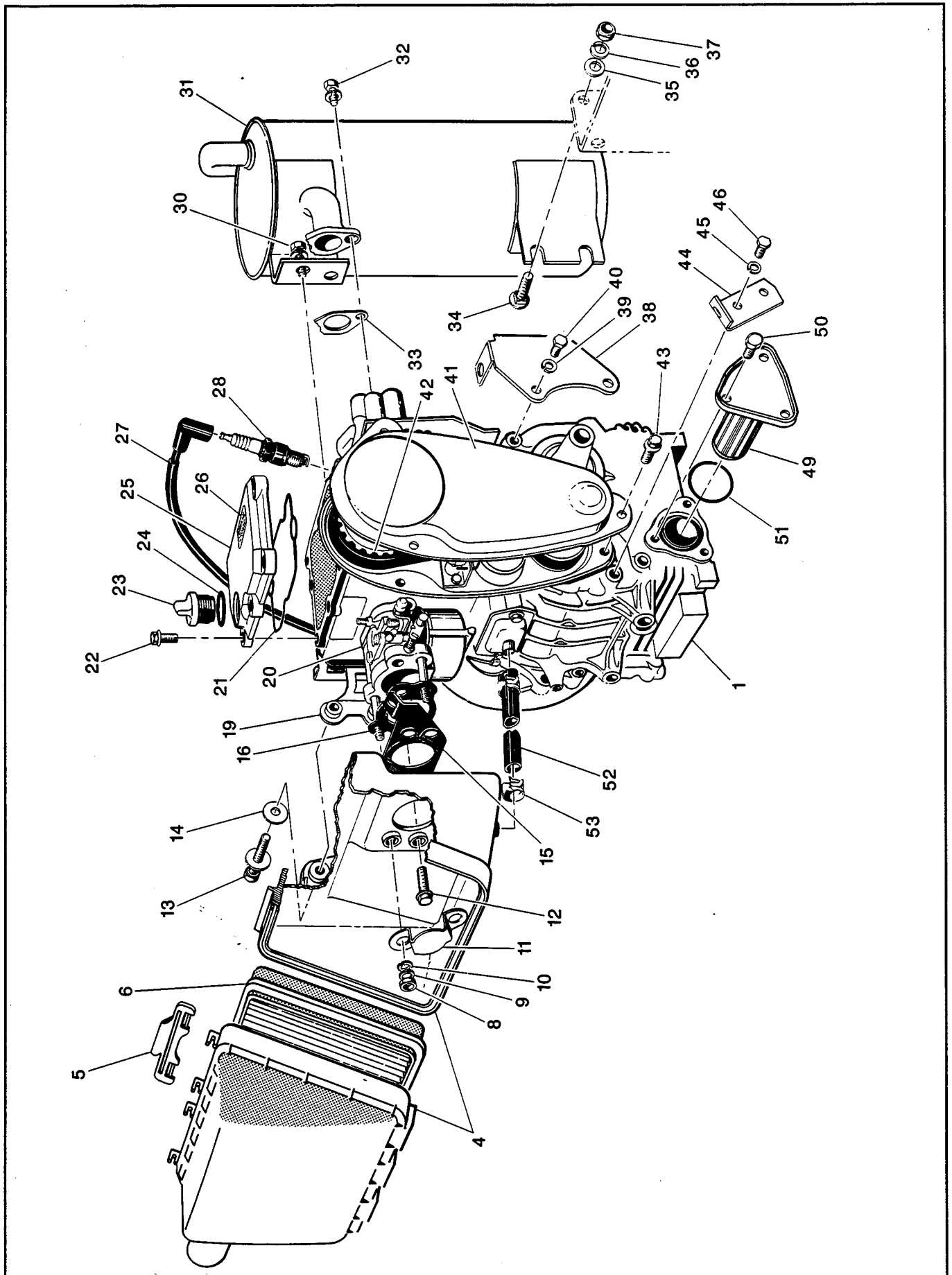
THE USE OF NON U.L. PARTS WILL VOID ANY U.L. LISTING.

When ordering parts, please specify the model and serial number of the product.

* Indicates a component that is not available as an individual part.

		3 WHEEL	4 WHEEL

ITEM	PART NO.	1 2 3 4 5					DESCRIPTION	QTY	
67	26707-G01						BOLT, WASHER, M5 X .8 X 10 MM		1
68	26676-G01						SCREW, M6 X 1 X 23 MM		1
69	26652-G01						IGNITION COIL, (INCLUDES ITEMS 70 - 74)		1
70	*						COIL IGNITION		1
71	*						SPACER		1
72	*						WASHER, LOCK		1
73	*						NUT		1
74	*						SCREW		1
75									
76	13632-G1						NUT, M6 X 1		2



ENGINE AND MUFFLER

GASOLINE POWERED TRUCK

THE USE OF NON U.L. PARTS WILL VOID ANY U.L. LISTING.

When ordering parts, please specify the model and serial number of the product.

* Indicates a component that is not available as an individual part.

ITEM	PART NO.	1	2	3	4	5	DESCRIPTION	QTY	
								3 WHEEL	4 WHEEL
1	26700-G01						ENGINE, SERVICE		1
2									
3									
4	26634-G01						BOX, AIR CLEANER		1
5	26735-G01						CLIP, AIR CLEANER BOX		2
6	26635-G01						ELEMENT, AIR CLEANER		1
7									
8	13632-G1						NUT, M6 X 1		2
9	26702-G01						WASHER, 6.5 X 1		2
10	51400-G1						WASHER, LOCK, 6MM		2
11	26636-G01						BAFFLE, AIR CLEANER		1
12	26676-G01						BOLT, FLANGED, M6 X 1 X 23 LG		2
13	26671-G01						BOLT AND WASHER, M6 X 1 X 30 LG		2
14	26701-G01						WASHER, 6.5MM X 20		2
15	26728-G01						GASKET, AIR CLEANER		1
16	26727-G01						GASKET, CARBURETOR/AIR BOX		1
17									
18									
19	26657-G01						BRACKET, IGNITION COIL		1
20	XXXXX-XX						CARBURETOR (SEE CARBURETOR SECTION)		1
21	26719-G01						GASKET, VALVE COVER		1
22	26676-G01						BOLT, FLANGED, M6 X 1 X 23 LG		6
23	26601-G01						CAP, OIL FILLER		1
24	26720-G01						"O" RING		1
25	26600-G01						COVER, VALVE		1
26	26736-G01						LABEL, ENGINE OIL		1
27	17014-G1						WIRE, SPARK PLUG (CUT TO LENGTH)		2
28	25523-G01						SPARK PLUG		2
29									
30	25532-G1						BOLT AND WASHER, M8 X 1.25 X 18 LG		2
31	26344-G01						MUFFLER		1
32	25532-G1						BOLT AND WASHER, M8 X 1.25 X 18 LG		2
33	25531-G1						GASKET, EXHAUST		1
34	00764-G1						BOLT, CARRIAGE, 5/16 - 18 X 3/4 LG		2

ENGINE AND MUFFLER

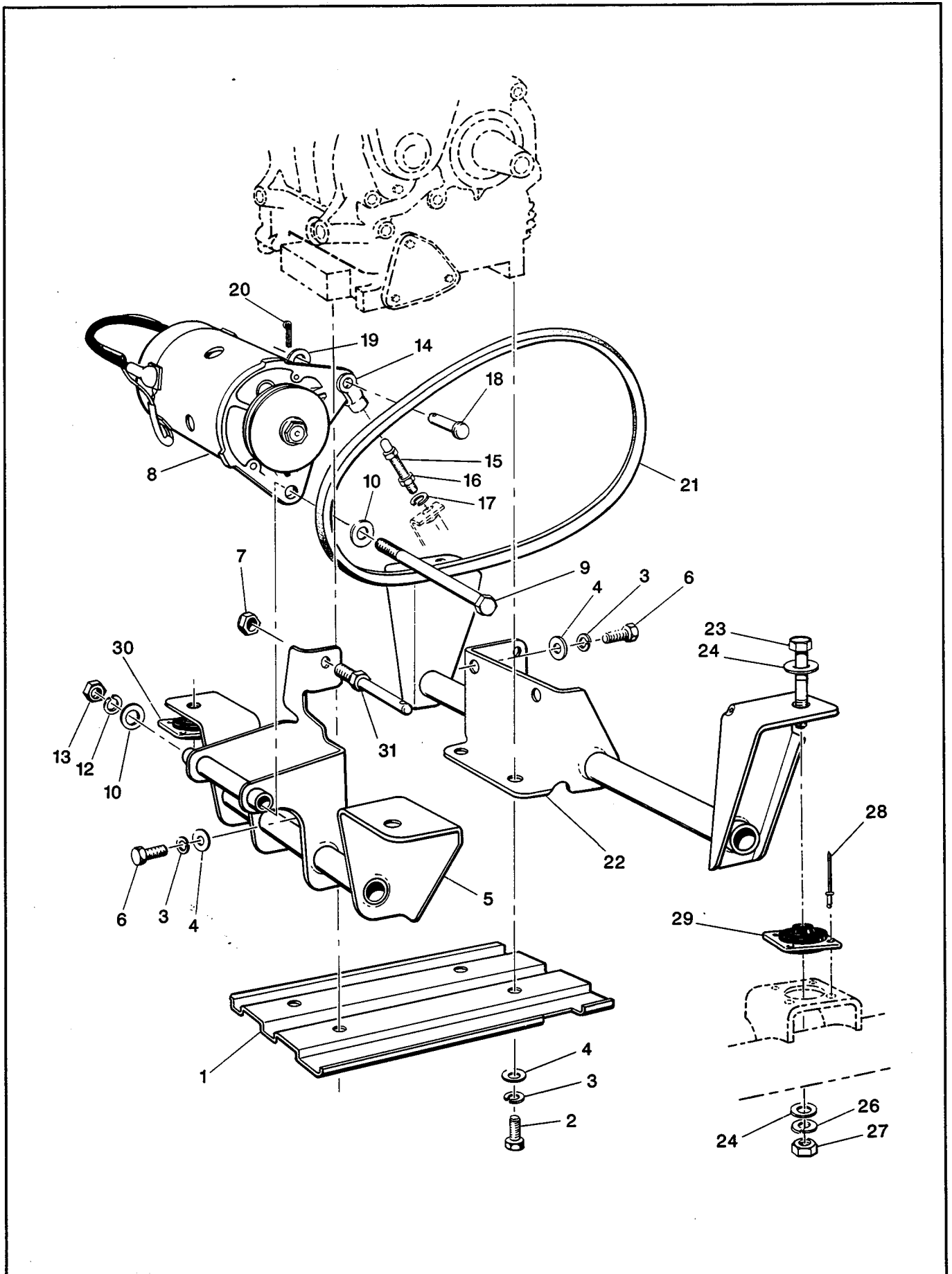
GASOLINE POWERED TRUCK

THE USE OF NON U.L. PARTS WILL VOID ANY U.L. LISTING.

When ordering parts, please specify the model and serial number of the product.

* Indicates a component that is not available as an individual part.

ITEM	PART NO.	1	2	3	4	5	DESCRIPTION	3 WHEEL	4 WHEEL
								QTY	
35	00559-G8						WASHER, 5/16		2
36	00931-G2						WASHER, LOCK, 5/16		2
37	00532-G3						NUT, 5/16 - 18		2
38	25655-G01						BRACKET, PIVOT		1
39	00931-G2						WASHER, LOCK, 5/16		2
40	00276-G6						SCREW, 5/16-24 X 3/4 LG.		2
41	26630-G01						COVER, TIMING BELT		1
42	26626-G01						BELT, TIMING		1
43	26678-G01						BOLT, M6 X 1 X 12 LG		3
44	25654-G01						BRACKET, STARTER/GENERATOR ADJUSTMENT		1
45	00931-G2						WASHER, LOCK, 5/16		2
46	00276-G6						SCREW, 5/16 - 24 X 3/4 LG		2
47									
48									
49	26591-G01						FILTER, OIL		1
50	26680-G01						BOLT AND WASHER, M6 X 1 X 12 LG		3
51	26710-G01						"O" RING, OIL FILTER		1
52	26602-G01						PIPE, BREATHER		1
53	18292-G1						CLAMP, HOSE		2



ENGINE/STARTER MOUNTING

GASOLINE POWERED TRUCK

THE USE OF NON U.L. PARTS WILL VOID ANY U.L. LISTING.

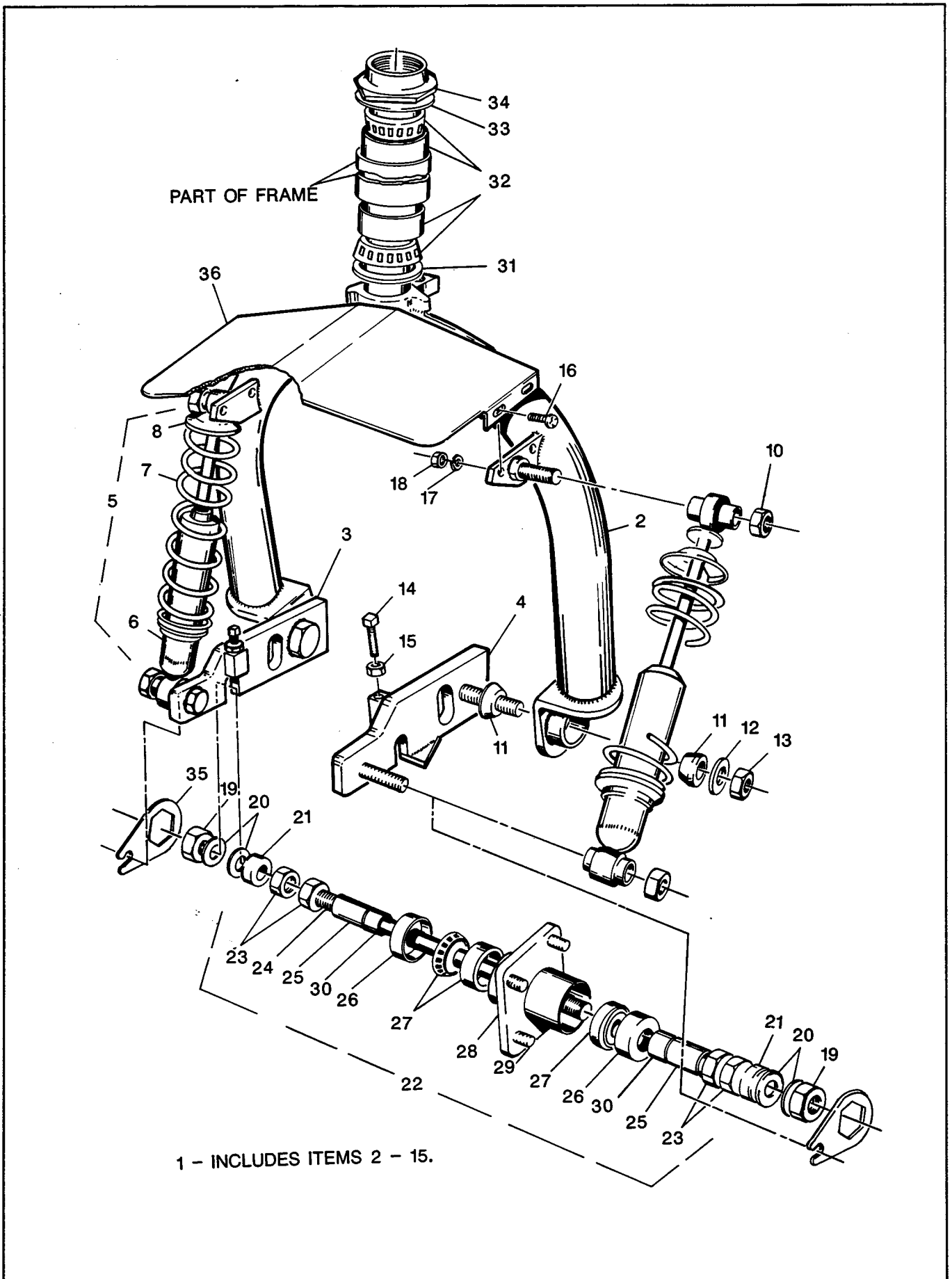
When ordering parts, please specify the model and serial number of the product.

* Indicates a component that is not available as an individual part.

3 WHEEL	4 WHEEL
---------	---------

ITEM	PART NO.	1	2	3	4	5	DESCRIPTION	QTY	
								3 WHEEL	4 WHEEL
1	25656-G01						GUARD, ENGINE		1
2	00463-G4						SCREW, 7/16 - 14 X 1 1/2 LG		4
3	00566-G2						WASHER, LOCK, 7/16		8
4	00922-G3						WASHER, 7/16		8
5	25674-G01						BRACKET, FRONT ENGINE MOUNTING		1
6	00288-G8						SCREW, 7/16 - 14 X 1 LG		4
7	14390-G1						NUT, LOCK, 3/8 - 24		1
8	25533-G3						STARTER/GENERATOR		1
9	00938-G4						SCREW, 1/2 - 13 X 8 LG		1
10	00560-G3						WASHER, 1/2		2
11									
12	00566-G3						WASHER, LOCK, 1/2		1
13	00533-G1						NUT, 1/2 - 13		1
14	25708-G01						YOKE, CLEVIS		1
15	24667-G1						PIN, ADJUSTING		1
16	00532-G6						NUT, 3/8 - 24		1
17	00566-G1						WASHER, LOCK, 3/8		1
18	14443-G3						PIN, CLEVIS, 5/16 X 1 LG		1
19	00642-G8						WASHER, 5/16		1
20	10387-G4						PIN, COTTER		1
21	26414-G01						BELT, STARTER/GENERATOR		1
22	25675-G01						BRACKET, REAR ENGINE MOUNTING		1
23	00427-G8						SCREW, 3/8 - 16 X 2 LG.		4
24	00560-G1						WASHER, 3/8		8
25									
26	00566-G1						WASHER, LOCK, 3/8		4
27	00550-G5						NUT, 3/8 - 16		4
28	14601-G5						RIVET, 3/16 X 13/32 LG		16
29	14137-G1						MOUNT, ISOLATION, 25 LB.		3
30	14137-G2						MOUNT, ISOLATION, 35 LB.		1
31	XXXXX-XX						SEE ACCELERATOR AND HILL BRAKE SECTION FOR P/N		





FORK

ELECTRIC/GASOLINE POWERED TRUCK

THE USE OF NON U.L. PARTS WILL VOID ANY U.L. LISTING.

When ordering parts, please specify the model and serial number of the product.

* Indicates a component that is not available as an individual part.

3 WHEEL	
---------	--

ITEM	PART NO.	1	2	3	4	5	DESCRIPTION	QTY
1	17533-G3						FORK ASSEMBLY (INCLUDES ITEMS 2 - 15)	1
2	17537-G1						FORK	1
3	17542-G1						AXLE BRACKET, PASSENGER SIDE	1
4	17542-G2						AXLE BRACKET, DRIVER'S SIDE	1
5	19796-G3						SHOCK ABSORBER ASSEMBLY (INCLUDES ITEMS 6 - 8)	2
6	17907-G1						SHOCK ABSORBER	1
7	19795-G2						SPRING, COMPRESSION	1
8	17816-G2						RETAINER, SPRING	1
9								
10	00897-G1						NUT, LOCK, 1/2 - 13	4
11	15588-G1						BUSHING, PIVOT	4
12	00653-G5						WASHER, 5/8	2
13	00654-G7						NUT, LOCK, 5/8 - 11	2
14	00655-G4						SETSCREW, SQUARE HEAD, 1/4 - 20 X 1 3/4 LG.	2
15	00898-G1						NUT, 1/4 - 20	2
16	00671-G4						SCREW, #10 - 24 X 1/2 LG.	4
17	00882-G5						WASHER, LOCK, #10	4
18	00896-G3						NUT, #10 - 24	4
19	00894-G1						NUT, LOCK, 3/4 - 16	2
20	00895-G6						WASHER, 3/4	4
21	17650-G2						RING, ADJUSTER	2
22	17535-G2						HUB AND AXLE ASSEMBLY (INCLUDES ITEMS 23 - 30)	1
23	00899-G8						NUT, 3/4 - 16	4
24	10223-G5						AXLE, FRONT	1
25	17536-G2						SPACER, AXLE	2
26	19471-G1						SEAL, GREASE	2
27	50908-G1						BEARING, RACE	2
28	19888-G1						HUB ASSEMBLY (INCLUDES ITEM 29)	1
29	19862-G1						BOLT, HUB, 1/2 - 20	4
30	11655-G1						SPACER, AXLE	2
31	13136-G1						SPACER	1
32	11103-G2						BEARING AND RACE	2
33	10669-G3						WASHER, SPECIAL	1
34	11098-G1						NUT, LOCK, 1 3/8 - 12	1

FORK

ELECTRIC/GASOLINE POWERED TRUCK

THE USE OF NON U.L. PARTS WILL VOID ANY U.L. LISTING.

When ordering parts, please specify the model and serial number of the product.

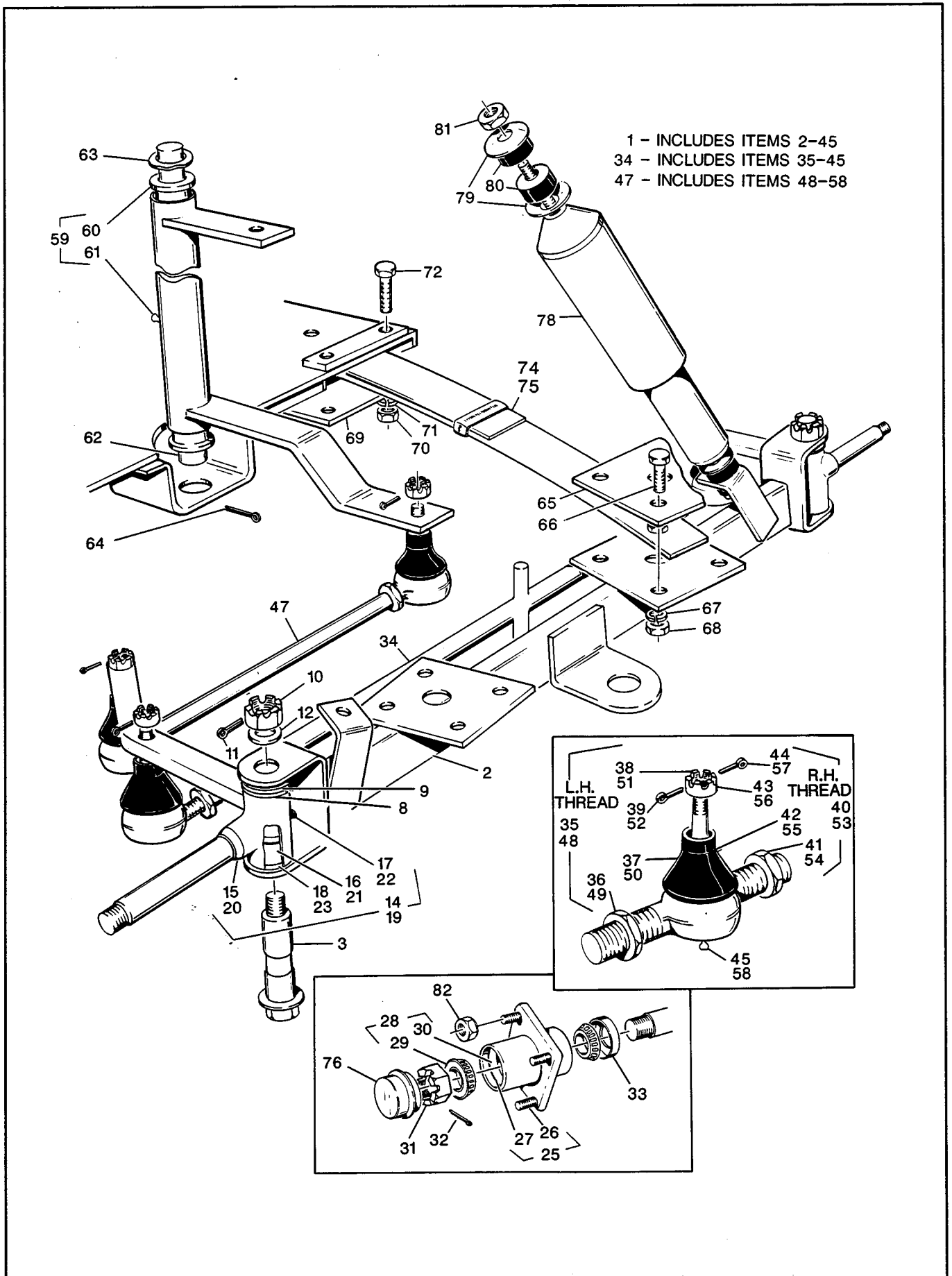
* Indicates a component that is not available as an individual part.

3 WHEEL

ITEM	PART NO.	1	2	3	4	5	DESCRIPTION	QTY
35	18256-G1						RETAINER, AXLE NUT, STAINLESS STEEL	2
36	15643-G1						SHIELD	1

FOUR WHEEL FRONT SUSPENSION

ELECTRIC/GASOLINE POWERED TRUCK



FOUR WHEEL FRONT SUSPENSION

ELECTRIC/GASOLINE POWERED TRUCK

THE USE OF NON U.L. PARTS WILL VOID ANY U.L. LISTING.

When ordering parts, please specify the model and serial number of the product.

* Indicates a component that is not available as an individual part.

3 WHEEL	4 WHEEL
---------	---------

ITEM	PART NO.	1	2	3	4	5	DESCRIPTION	QTY		
								3 WHEEL	4 WHEEL	
1	24054-G6	FRONT AXLE ASSEMBLY (INCLUDES ITEMS 2 - 45)								1
2	23918-G2	AXLE								1
3	25177-G2	KING PIN								2
4										
5										
6										
7										
8	16982-G1	BEARING, THRUST								2
9	00879-G7	WASHER, 7/8								2
10	00886-G1	NUT, SLOTTED, 5/8 - 18								2
11	19060-G1	COTTER PIN, 1/4 X 1 1/2 LG.								2
12	00879-G5	WASHER, 5/8								2
13										
14	23925-G1	SPINDLE ASSEMBLY, DRIVER'S SIDE (INCLUDES ITEMS 15 - 18) ..								1
15	*	SPINDLE , DRIVER'S SIDE								1
16	16623-G1	BEARING, BRONZE								2
17	10389-G3	GREASE FITTING								1
18	16626-G1	SEAL								1
19	23924-G2	SPINDLE ASSEMBLY, PASSENGER SIDE (INCLUDES ITEMS 20 - 23)								1
20	*	SPINDLE, PASSENGER SIDE								1
21	16623-G1	BEARING, BRONZE								2
22	10389-G3	GREASE FITTING								1
23	16626-G1	SEAL								1
24										
25	19932-G1	HUB ASSEMBLY (INCLUDES ITEMS 26 AND 27)								2
26	19862-G1	BOLT, HUB, 1/2 - 20								4
27	*	RACE, BEARING								2
28	50892-G1	BEARING AND RACE ASSEMBLY (INCLUDES ITEMS 29 AND 30) ...								2
29	11750-G2	ROLLER, BEARING								2
30	*	RACE, BEARING								2
31	12093-G1	NUT, SLOTTED, 1 - 14								2
32	00798-G8	COTTER PIN, 1/4 X 1 1/2 LG.								2
33	25146-G1	SEAL								1
34	19202-G1	TIE ROD ASSEMBLY (INCLUDES ITEMS 35 - 45)								1

FOUR WHEEL FRONT SUSPENSION

ELECTRIC/GASOLINE POWERED TRUCK

THE USE OF NON U.L. PARTS WILL VOID ANY U.L. LISTING.

When ordering parts, please specify the model and serial number of the product.

* Indicates a component that is not available as an individual part.

ITEM	PART NO.	1	2	3	4	5	DESCRIPTION	QTY	
								3 WHEEL	4 WHEEL
35	20795-G1						TIE ROD END ASSEMBLY, L.H. THREAD (INCLUDES ITEMS 36 - 39)		1
36	18434-G1						NUT, 9/16 - 18, L.H. THREAD		1
37	50641-G1						BOOT, RUBBER		1
38	50209-G1						NUT, SLOTTED 7/16 - 20		1
39	10387-G2						COTTER PIN 3/16 X 1 LG.		1
40	20795-G2						TIE ROD END ASSEMBLY, R.H. THREAD (INCLUDES ITEMS 41 - 44)		1
41	18434-G2						NUT, 9/16 - 18, R.H. THREAD		1
42	50641-G1						BOOT, RUBBER		1
43	50209-G1						NUT, SLOTTED 7/16 - 20		1
44	10387-G2						COTTER PIN 3/16 X 1 LG.		1
45	10389-G3						GREASE FITTING		2
46									
47	18377-G1						TIE ROD ASSEMBLY (INCLUDES ITEMS 48 - 58)		1
48	20795-G1						TIE ROD END ASSEMBLY, L.H. THREAD (INCLUDES ITEMS 49 - 52)		1
49	18434-G1						NUT, 9/16 - 18, L.H. THREAD		1
50	50641-G1						BOOT, RUBBER		1
51	50209-G1						NUT, SLOTTED, 7/16 - 20		1
52	10387-G2						COTTER PIN, 3/16 X 1 LG.		1
53	20795-G2						TIE ROD END ASSEMBLY, R.H. THREAD (INCLUDES ITEMS 54 - 57)		1
54	18434-G2						NUT, 9/16 - 18, R.H. THREAD		1
55	50641-G1						BOOT, RUBBER		1
56	50209-G1						NUT, SLOTTED, 7/16 - 20		1
57	10387-G2						COTTER PIN, 3/16 X 1 LG.		1
58	10389-G3						GREASE FITTING		2
59	23929-G1						IDLER ASSEMBLY (INCLUDES ITEMS 60 AND 61)		1
60	15012-G1						BUSHING, FLANGED		2
61	10389-G3						GREASE FITTING		1
62	16417-G2						SHAFT, IDLER		1
63	13221-G1						WASHER, WAVE TYPE, SPRING		1
64	10387-G1						COTTER PIN, 1/4 X 1 1/2 LG.		1
65	15023-G2						RETAINER, SPRING		2

FOUR WHEEL FRONT SUSPENSION

ELECTRIC/GASOLINE POWERED TRUCK

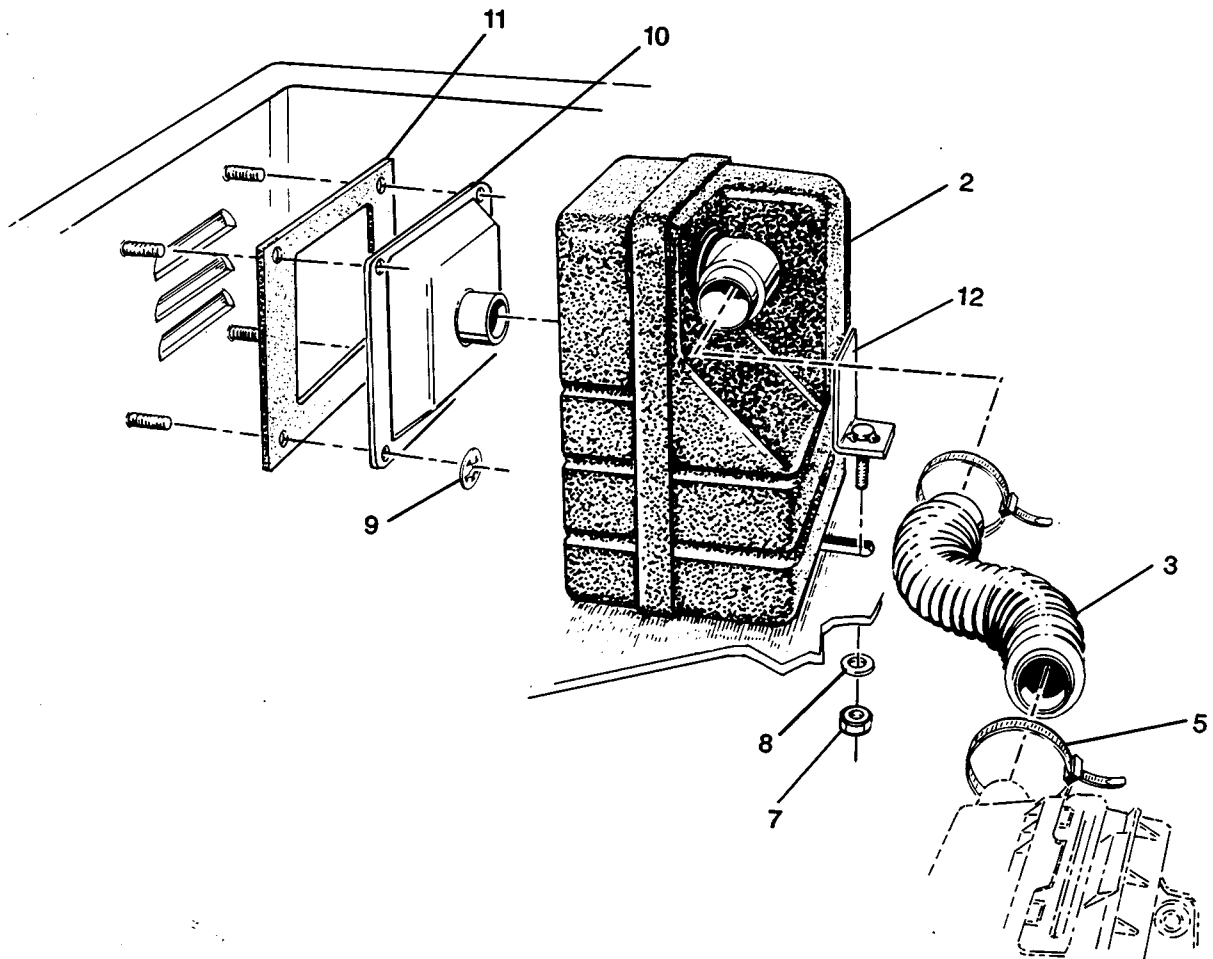
THE USE OF NON U.L. PARTS WILL VOID ANY U.L. LISTING.

When ordering parts, please specify the model and serial number of the product.

* Indicates a component that is not available as an individual part.

3 WHEEL	4 WHEEL
------------	------------

ITEM	PART NO.	1	2	3	4	5	DESCRIPTION	QTY	
								3 WHEEL	4 WHEEL
66	00876-G4						SCREW, BLACK, 3/8 - 16 X 1 1/2 LG.		8
67	00878-G1						WASHER, LOCK, BLACK, 3/8		8
68	00877-G5						NUT, BLACK, 3/8 - 16		8
69	15023-G2						RETAINER, SPRING		2
70	00532-G5						NUT, 3/8 - 16		6
71	00566-G1						WASHER, LOCK, 3/8		6
72	00427-G8						SCREW, 3/8 - 16 X 2 LG.		6
73									
74	24025-G1						LEAF SPRING (2 LEAF)		2
75	24065-G1						LEAF SPRING (3 LEAF)		2
76	12091-G1						CAP, SPINDLE		2
77									
78	15707-G1						SHOCK ABSORBER		2
79	10435-G1						WASHER, 13/32		8
80	10194-G1						BUSHING, RUBBER		8
81	00532-G6						NUT, 3/8 - 24		4
82	14723-G1						NUT, LUG, 1/2-20		8



FRESH AIR INTAKE

GASOLINE POWERED TRUCK

THE USE OF NON U.L. PARTS WILL VOID ANY U.L. LISTING.

When ordering parts, please specify the model and serial number of the product.

* Indicates a component that is not available as an individual part.

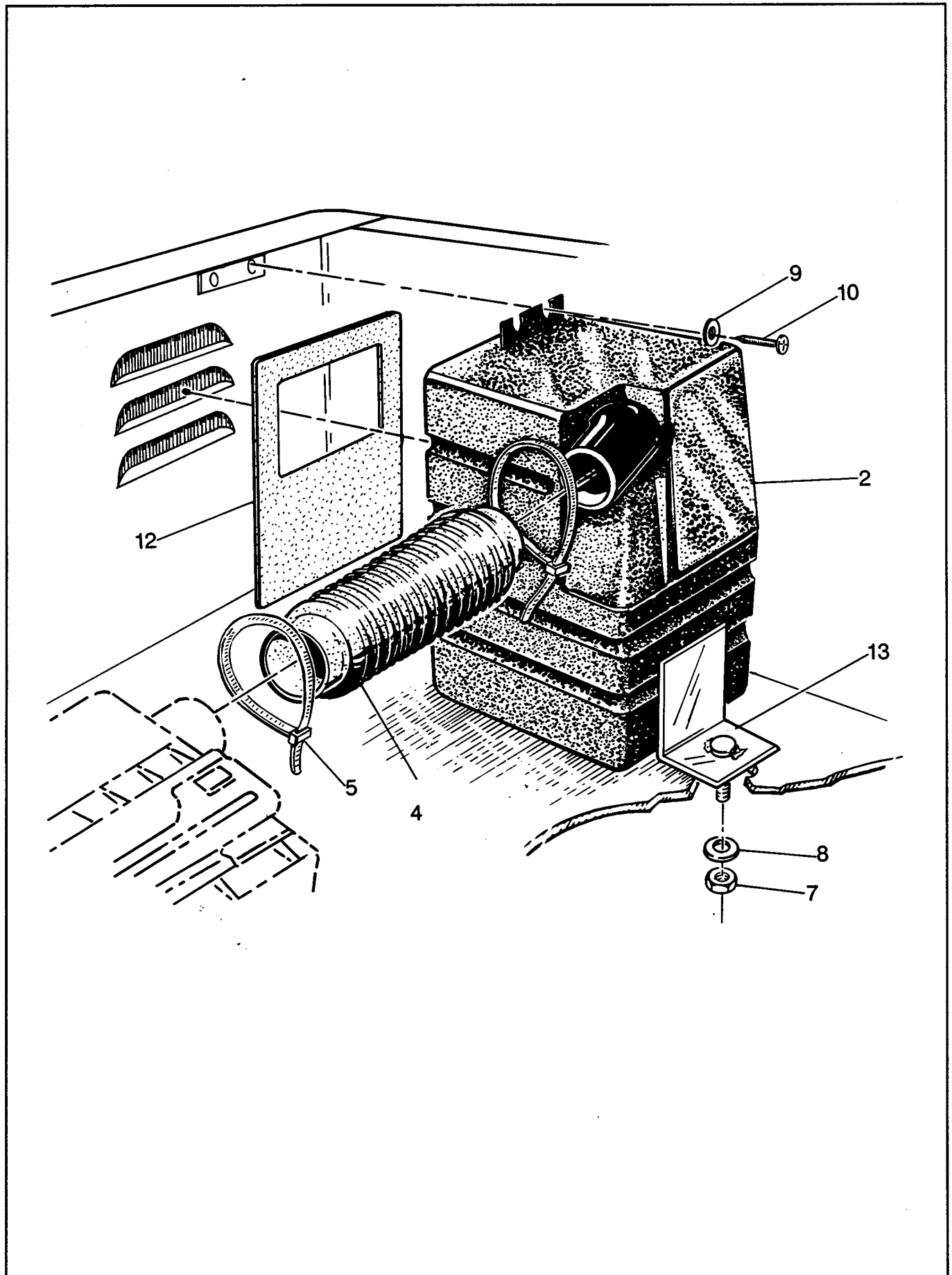
3 WHEEL	4 WHEEL
---------	---------

ITEM	PART NO.	1	2	3	4	5	DESCRIPTION	QTY	
								3 WHEEL	4 WHEEL
1									
2	25718-G01						BOX, AIR, INTAKE		1
3	25729-G02						HOSE, AIR, GX/I-804		1
4									
5	17618-G1						CLAMP, NYLON		1
6									
7	14390-G4						NUT, LOCK, 1/4 - 20		1
8	00559-G7						WASHER, 1/4		1
9	27024-G01						NUT, RETAINER		4
10	23376-G2						BOX, AIR INLET		1
11	23380-G1						GASKET, FOAM		1
12	26458-G01						BRACKET, SUPPORT, AIR BOX		1

FRESH AIR INTAKE

FIRST USED ON 1992 MODEL

GASOLINE POWERED TRUCK



FRESH AIR INTAKE

FIRST USED ON 1992 MODEL

GASOLINE POWERED TRUCK

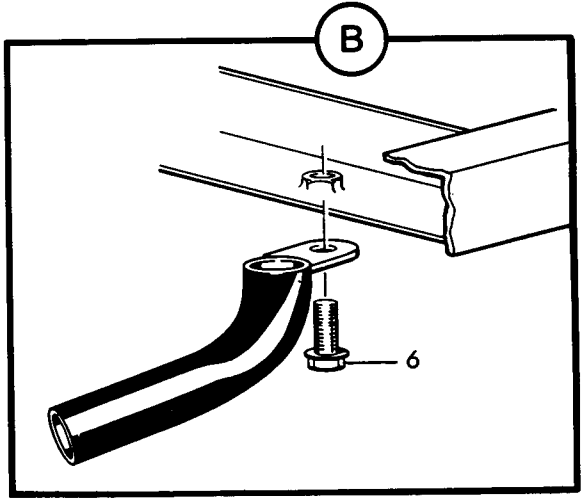
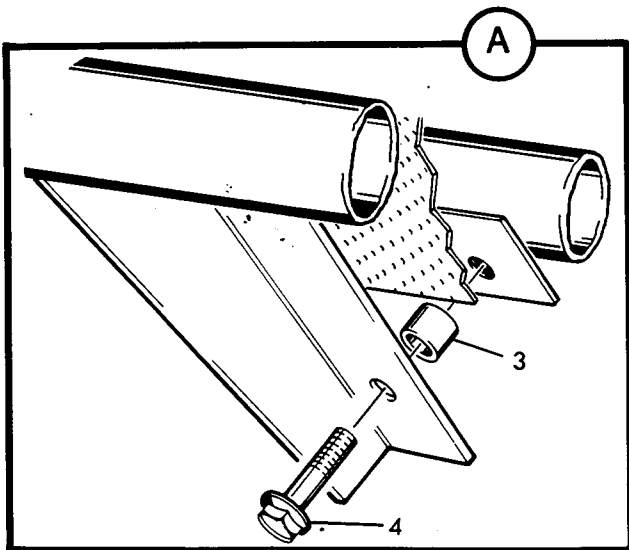
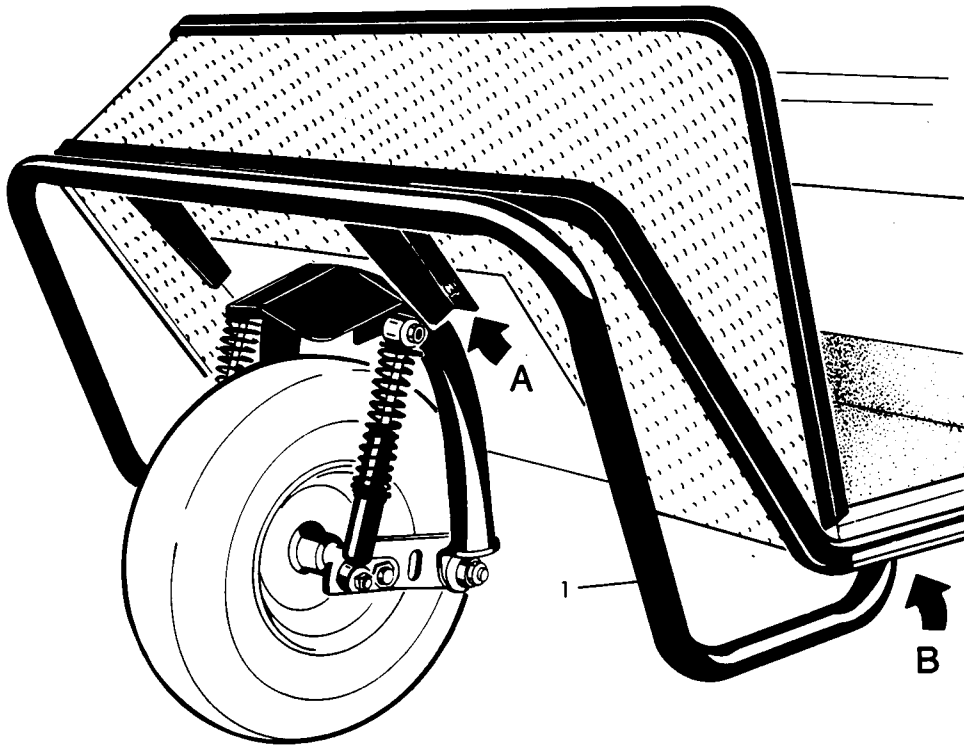
THE USE OF NON U.L. PARTS WILL VOID ANY U.L. LISTING.

When ordering parts, please specify the model and serial number of the product.

* Indicates a component that is not available as an individual part.

3 WHEEL	4 WHEEL
---------	---------

ITEM	PART NO.	1	2	3	4	5	DESCRIPTION	QTY	
								3 WHEEL	4 WHEEL
1									
2	26481-G01						BOX, AIR, INTAKE		1
3									
4	25729-G02						HOSE, AIR,		1
5	17618-G1						CLAMP, NYLON		2
6									
7	14390-G4						NUT, LOCK, 1/4 - 20		1
8	00559-G7						WASHER, FLAT, 1/4		1
9	00559-G4						WASHER		2
10	00614-G5						SCREW, SELF DRILL AND TAPPING, 5/8		2
11									
12	26412-G01						GASKET, AIRBOX		1
13	26458-G01						BRACKET, SUPPORT, AIRBOX		1



FRONT BUMPER – 3 WHEEL VEHICLE

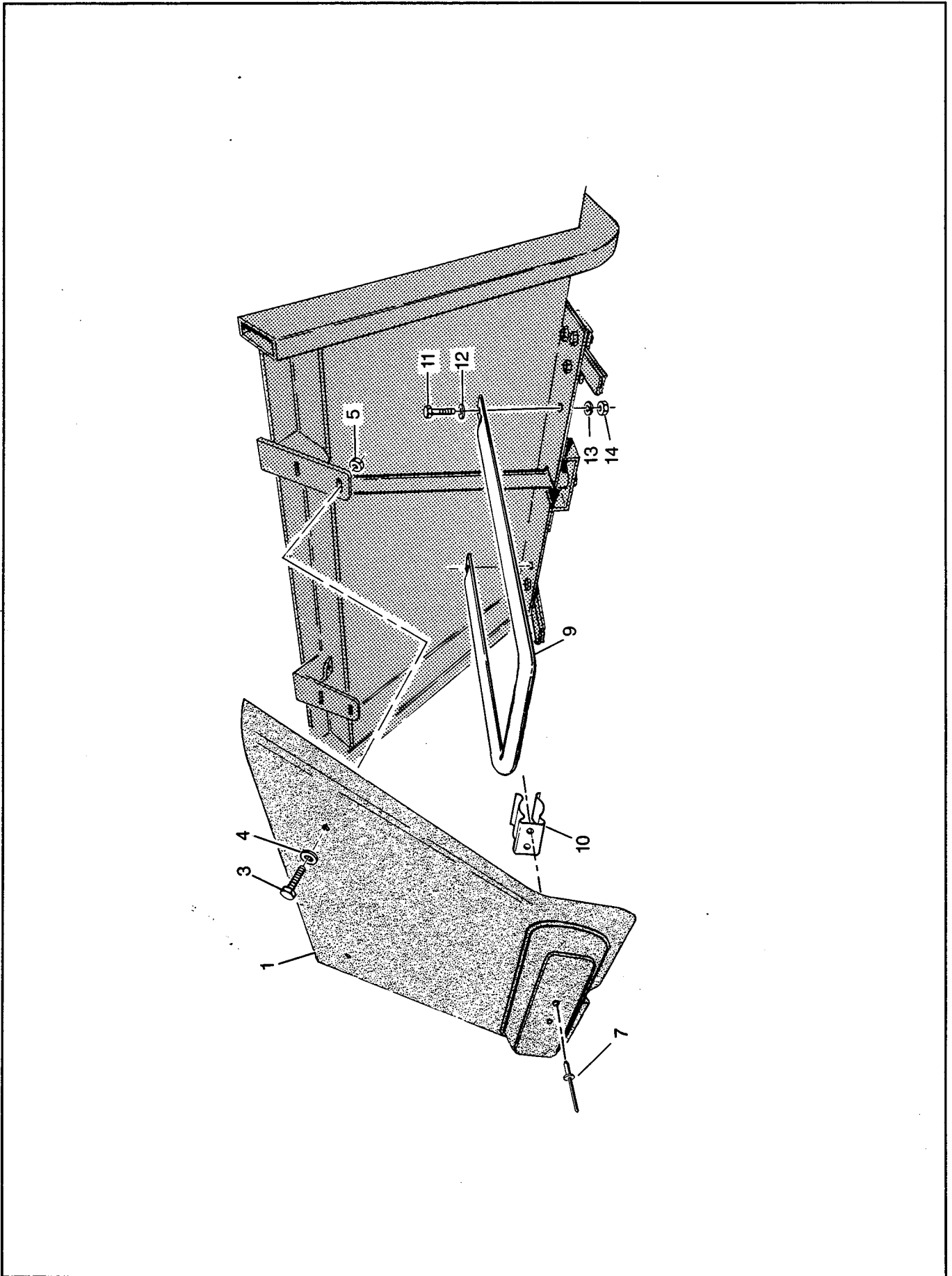
ELECTRIC/GASOLINE POWERED TRUCK

THE USE OF NON U.L. PARTS WILL VOID ANY U.L. LISTING.

When ordering parts, please specify the model and serial number of the product.

* Indicates a component that is not available as an individual part.

ITEM	PART NO.	1	2	3	4	5	DESCRIPTION	3 WHEEL	
								QTY	
1	19507-G1						FRONT BUMPER	1	
2									
3	19522-G1						SPACER, FRONT BUMPER	2	
4	13437-G8						SCREW, LOCK, 3/8 – 16 X 2 LG.	2	
5									
6	13437-G4						SCREW, LOCK, 3/8 – 16 X 1 LG.	2	



FRONT SHIELD

ELECTRIC/GASOLINE POWERED TRUCK

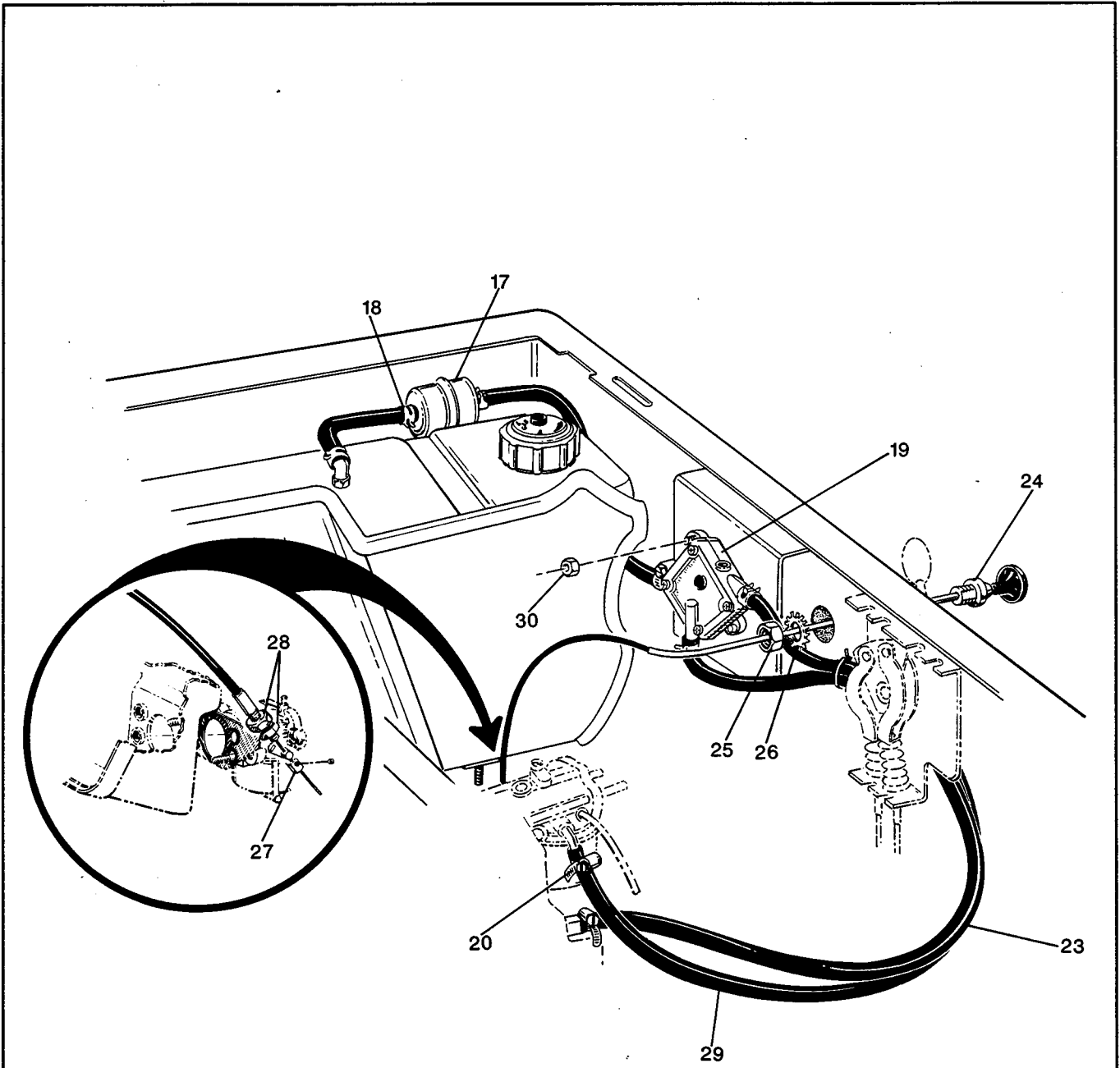
THE USE OF NON U.L. PARTS WILL VOID ANY U.L. LISTING.

When ordering parts, please specify the model and serial number of the product.

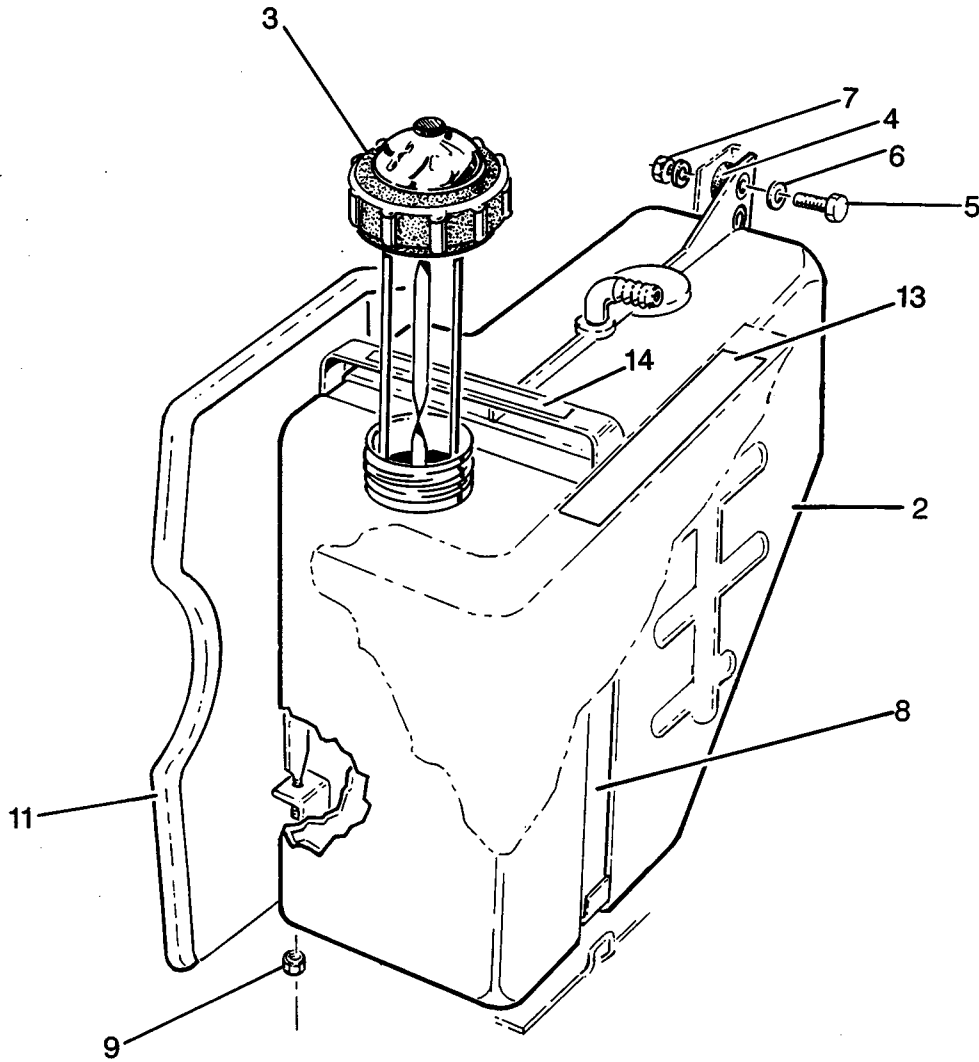
* Indicates a component that is not available as an individual part.

4 WHEEL

ITEM	PART NO.	1	2	3	4	5	DESCRIPTION	QTY
1	23881-G1						SHIELD	1
2								
3	00414-G8						SCREW, 1/4 - 20 X 1 LG.	2
4	00559-G7						WASHER, 1/4	2
5	14390-G4						NUT, LOCK, 1/4 - 20	2
6								
7								
8								
9	25054-G1						SUPPORT, SHIELD	1
10								
11	00258-G8						SCREW, 3/8-16 X 1 LG.	2
12	005660-G1						WASHER, 3/8	2
13	00566-G1						WASHER, LOCK, 3/8	2
14	00532-G5						NUT, 3/8-16	2



ALL LINES EXCEPT THE 31' PULSE
LINE ARE SOLD IN BULK QUANTITIES



18827-G1

WARNING: AVOID FIRE HAZARD

IF GASOLINE PUMP IS USED BE SURE IT IS GROUNDED DO NOT REFUEL WHEN ENGINE IS HOT
IF GASOLINE IS SPILLED, FLUSH THOROUGHLY WITH WATER BEFORE STARTING ENGINE

26459-G01

FILL WITH GASOLINE ONLY
MIN. 87 OCTANE UNLEADED 26450-G01

FUEL SYSTEM

GASOLINE POWERED TRUCK

THE USE OF NON U.L. PARTS WILL VOID ANY U.L. LISTING.

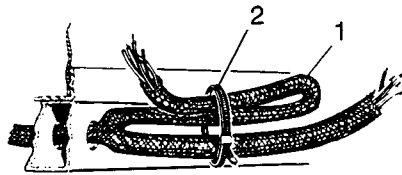
When ordering parts, please specify the model and serial number of the product.

* Indicates a component that is not available as an individual part.

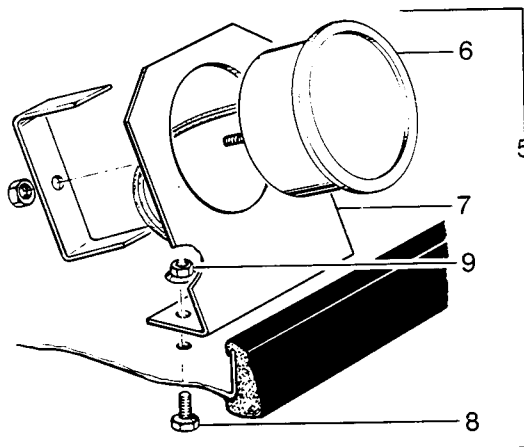
3 WHEEL	4 WHEEL
---------	---------

ITEM	PART NO.	1	2	3	4	5	DESCRIPTION	QTY	
								3 WHEEL	4 WHEEL
1									
2	18293-G1						TANK, FUEL SYSTEM		1
3	14099-G2						GAUGE, FUEL		1
4	14091-G1						WASHER, NEOPRENE		1
5	00439-G1						SCREW, 5/16 - 18 X 1 1/8 LG.		1
6	00559-G8						WASHER, 5/16		2
7	11098-G6						NUT, LOCK 5/16 - 18		1
8	18302-G2						STRAP, FUEL TANK		1
9	14390-G4						NUT, LOCK, 1/4 - 20		1
10									
11	18970-G3						PROTECTOR STRIP, SHIELD		1
12									
13	18827-G1						LABEL, WARNING: AVOID FIRE HAZARD		1
14	26459-G01						LABEL, GASOLINE ONLY		1
15									
16	25294-G6						PUMP, FUEL, AND FILTER ASSEMBLY (INCLUDES ITEMS 17-22)		1
17	12902-G1						FILTER		1
18	18292-G1						CLAMP, TUBING		2
19	25683-G1						PUMP, FUEL		1
20	11391-G4						CLAMP, TUBING		1
21	*						TUBE, FUEL (13.25")		1
22	*						TUBE, FUEL (6.25")		1
23	25346-G7						TUBE, FUEL, PULSE (31")		1
24	25693-G02						CHOKE, CONTROL ASSEMBLY (INCLUDES ITEMS 25-28)		1
25	00545-G4						NUT, 9/16 - 18		1
26	00568-G4						WASHER, LOCK, EXTERNAL TOOTH, 9/16		1
27	22070-G1						CLAMP, CABLE		1
28	00544-G4						NUT, JAM, 5/16 - 21		2
29	17470-G1						TUBE, BULK (ORDER BY THE FOOT)		AR
30	11027-G2						NUT, LOCK, 1/4 - 20		2

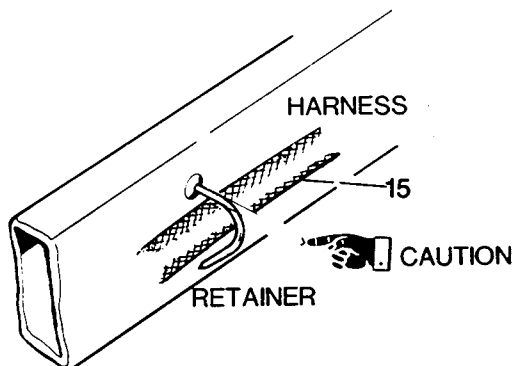
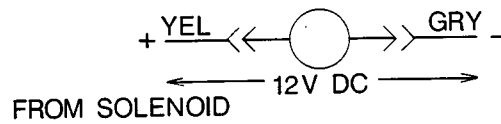
ACCESSORY WIRING HARNESS



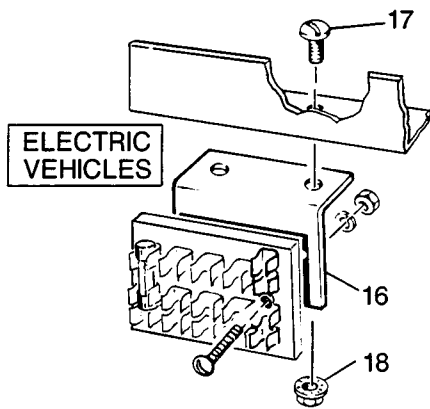
HOUR METER



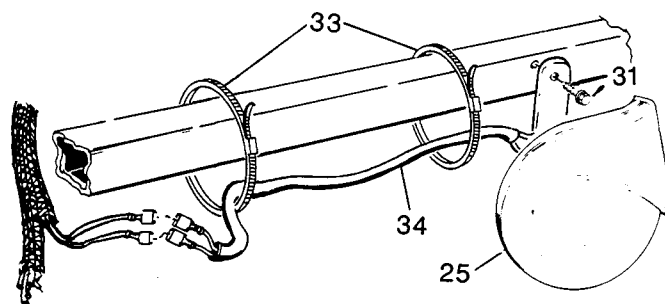
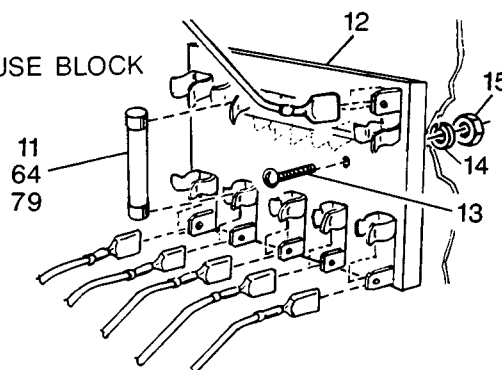
HOUR METER WIRING



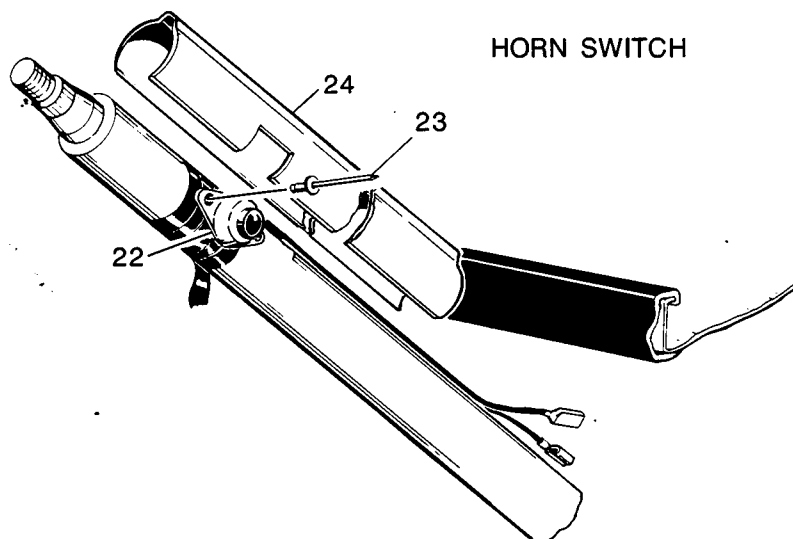
FUSE BLOCK MOUNTING BRACKET

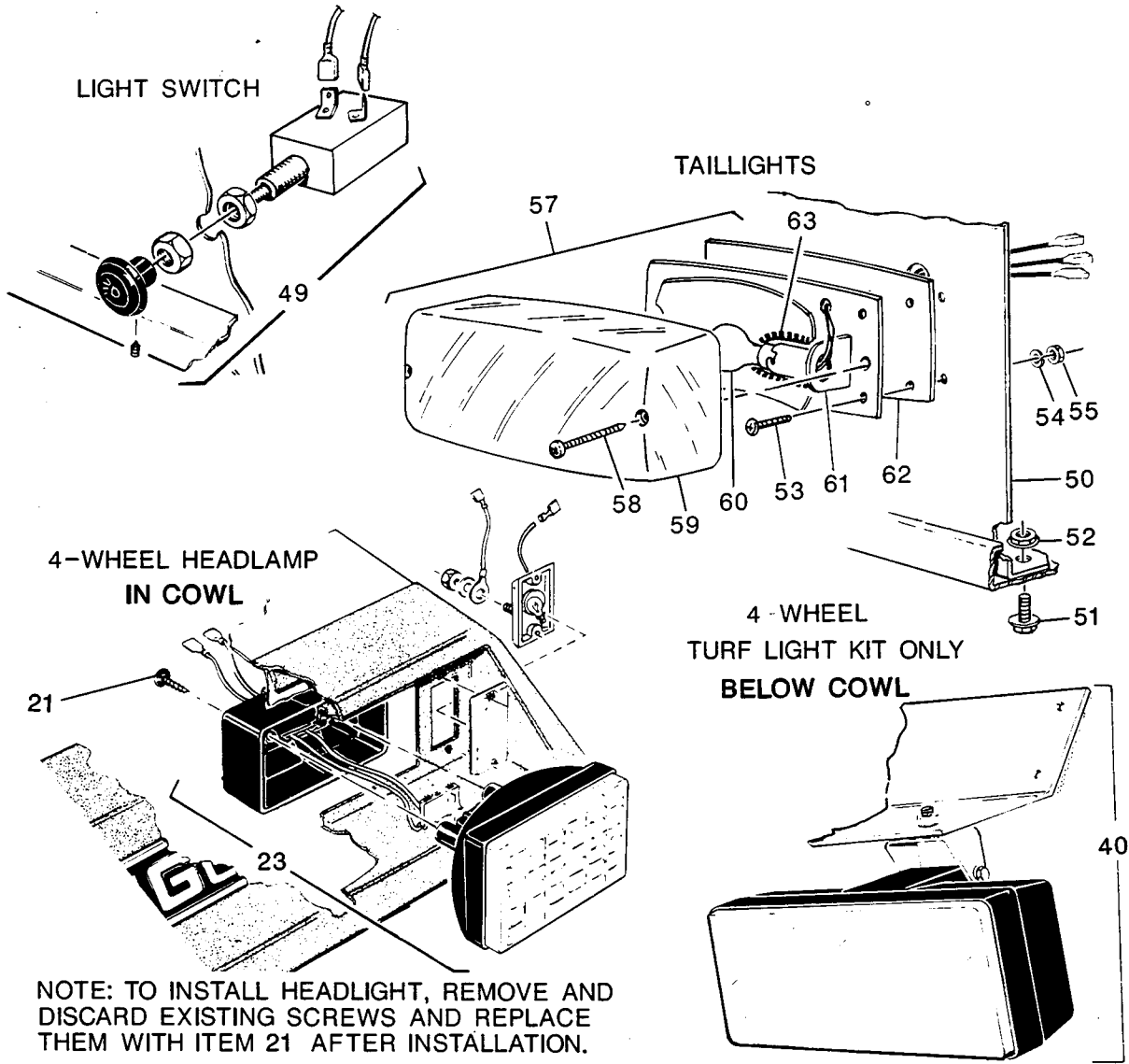


FUSE BLOCK



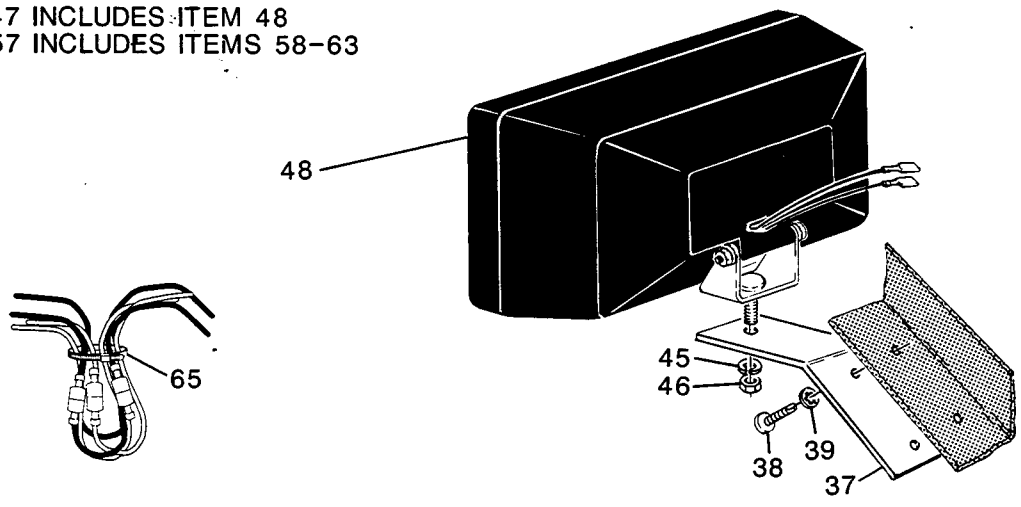
HORN SWITCH



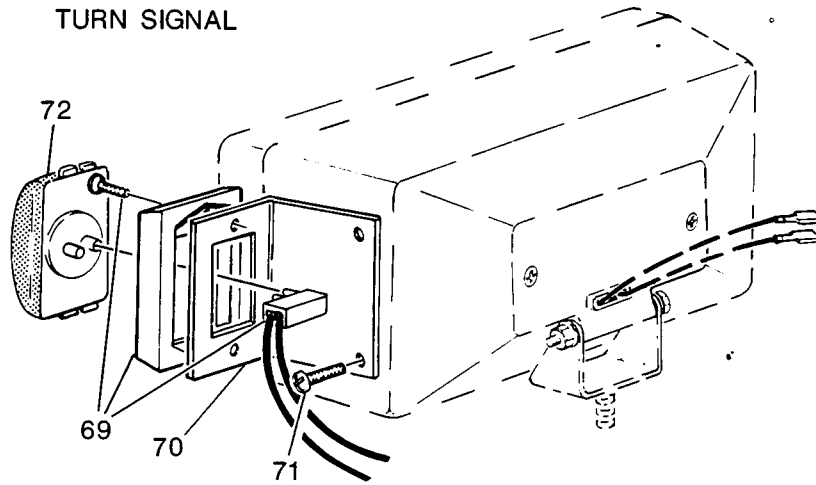


NOTE: TO INSTALL HEADLIGHT, REMOVE AND DISCARD EXISTING SCREWS AND REPLACE THEM WITH ITEM 21 AFTER INSTALLATION.

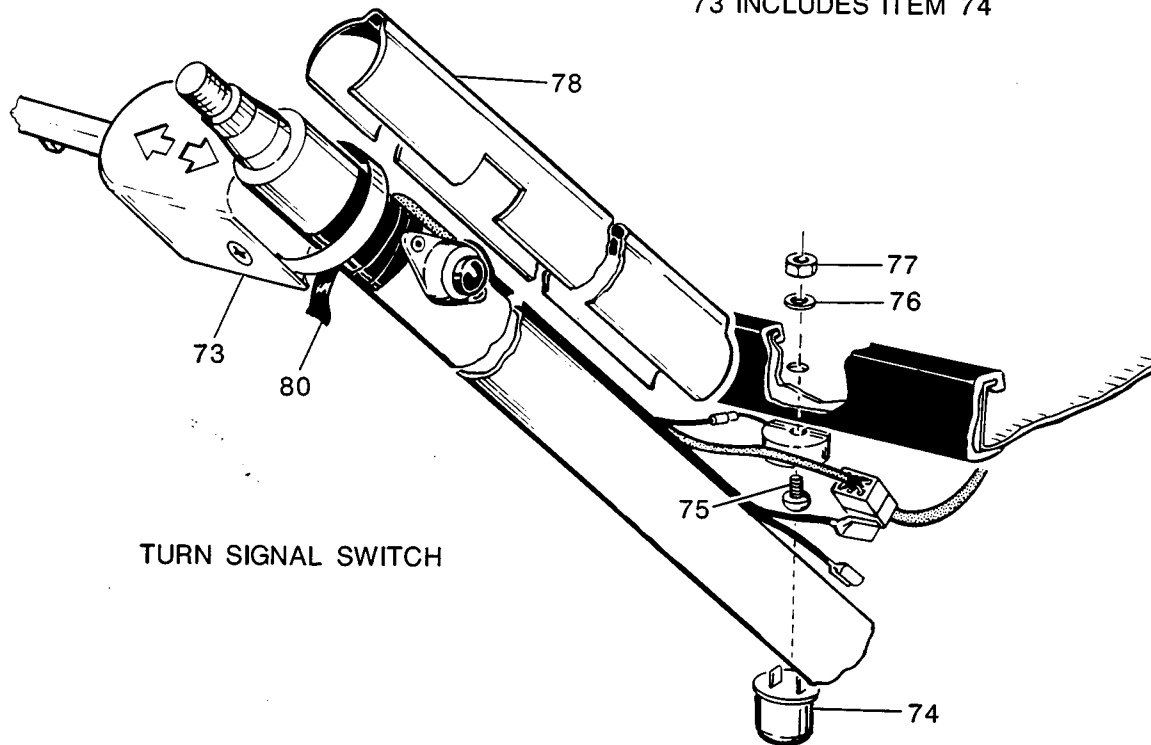
- 36 INCLUDES ITEMS 37-39 AND 47-65
- 47 INCLUDES ITEM 48
- 57 INCLUDES ITEMS 58-63



TURN SIGNAL

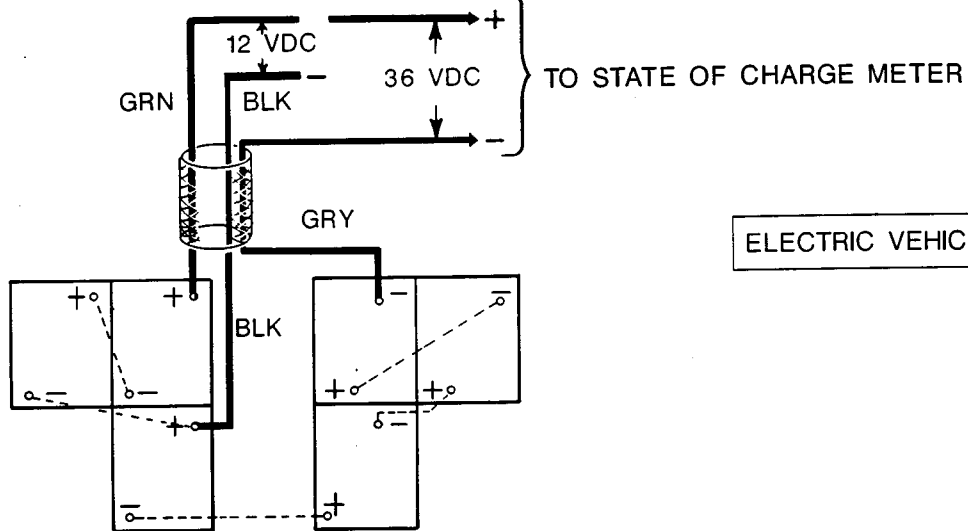


68 INCLUDES ITEMS 69-80
73 INCLUDES ITEM 74



TURN SIGNAL SWITCH

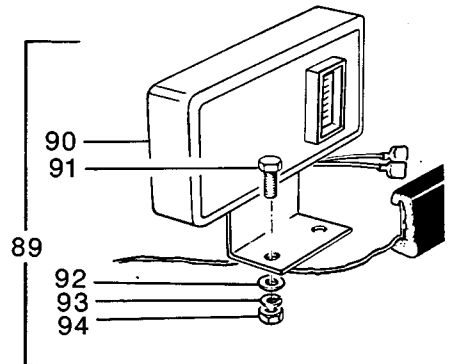
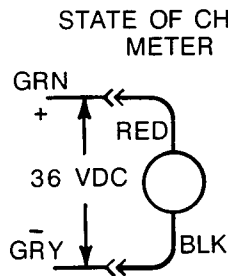
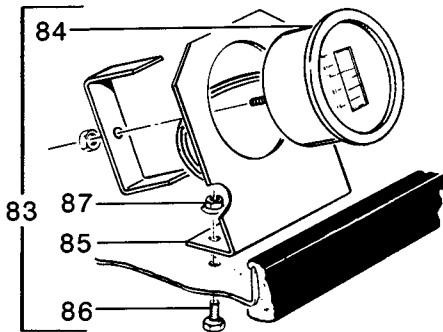
ACCESSORY HARNESS CONNECTIONS



TO STATE OF CHARGE METER

ELECTRIC VEHICLES ONLY

STATE OF CHARGE METERS



HORN AND ACCESSORY WIRING

ELECTRIC/GASOLINE POWERED TRUCK

THE USE OF NON U.L. PARTS WILL VOID ANY U.L. LISTING.

When ordering parts, please specify the model and serial number of the product.

* Indicates a component that is not available as an individual part.

ITEM	PART NO.	1	2	3	4	5	DESCRIPTION	3	4
								WHEEL	WHEEL
								QTY	
1	22069-G1						WIRING HARNESS	1	1
2	16172-G1						CLAMP, NYLON	3	3
3									
4									
5	19318-G2						HOUR METER KIT (INCLUDES ITEMS 6 - 9)	1	1
6	21573-G1						HOUR METER (INCLUDES MOUNTING HARDWARE)	1	1
7	18001-G1						BRACKET, HOUR METER	1	1
8	00414-G4						SCREW, 1/4 - 20 X 1/2 LG.	2	2
9	11027-G2						NUT, LOCK, 1/4 - 20	2	2
10									
11	18392-G1						FUSE, 15 AMP	1	1
12	22674-G1						FUSE BLOCK	1	1
13	00138-G4						SCREW, #6 - 32 X 1/2 LG.	2	2
14	00565-G3						WASHER, LOCK, #6	2	2
15	00525-G5						NUT, #6 - 32	2	2
16	22767-G1						BRACKET, MOUNTING, FUSE BLOCK (ELECTRIC VEHICLES ONLY)	1	1
17	16705-G3						SCREW, TRUSS, 1/4 - 20 X 3/4 LG.	2	2
18	11027-G2						NUT, LOCK, 1/4 - 20	2	2
19	24602-G1						BRACKET, MOUNTING, FUSE BLOCK (GAS VEHICLES ONLY)	1	1
20	11027-G2						NUT, LOCK, 1/4 - 20	1	1
21	00906-G6						SCREW, #10-16 X1 LG.	X	2
22	22242-G1						SWITCH, HORN (INCLUDES WIRES)	1	1
23	14601-G8						RIVET	2	2
24	20961-G3						COVER, STEERING COLUMN (WITHOUT TURN SIGNALS)	1	1
25	32860-G1						HORN	1	1
26									
27									
28									
29									
30									
31	00106-G6						SCREW, SELF-DRILL AND TAP, #12 - 24 X 3/4 LG.	1	1
32	23686-G1						HEADLAMP (REQUIRES ITEM 21 FOR INSTALLATION)	X	2
33	16172-G1						CLAMP, NYLON	2	2
34	24605-G1						WIRING HARNESS, HORN	1	1

HORN AND ACCESSORY WIRING

ELECTRIC/GASOLINE POWERED TRUCK

THE USE OF NON U.L. PARTS WILL VOID ANY U.L. LISTING.

When ordering parts, please specify the model and serial number of the product.

* Indicates a component that is not available as an individual part.

ITEM	PART NO.	1	2	3	4	5	DESCRIPTION	3 WHEEL	4 WHEEL
								QTY	QTY
35									
36	22301-G1						HEAD AND TAILLIGHT KIT, 3-WHEEL (INCLUDES ITEMS 37 - 39 AND 47 - 65)	1	X
37	22274-G1						BRACKET, HEADLAMP, MOUNTING	2	X
38	00106-G6						SCREW, SELF-DRILL AND TAP, #12 - 24 X 3/4 LG.	4	X
39	00594-G7						WASHER, LOCK, INTERNAL TOOTH, 1/4	4	X
40	22301-G2						HEAD AND TAILLIGHT KIT, 4-WHEEL (TURF ONLY)	X	1
41									
42									
43									
44									
45									
46									
47	20209-G2						HEADLAMP ASSEMBLY (INCLUDES ITEM 48)	2	2
48	22523-G1						BULB, HALOGEN, REPLACEMENT	2	1
49	18431-G1						SWITCH, HEADLAMP (INCLUDES MOUNTING HARDWARE)	1	1
50	22282-G1						PLATE, TAILLIGHT MOUNT	1	1
51	13437-G9						SCREW, LOCK, 1/4 - 20 X 3/4 LG.	2	2
52	11027-G2						NUT, LOCK, 1/4 - 20	2	2
53	00138-G4						SCREW, #6 - 32 X 1/2 LG.	8	8
54	00565-G3						WASHER, LOCK, #6	8	8
55	00525-G5						NUT, #6 - 32	8	8
56									
57	22288-G1						TAILLIGHT ASSEMBLY (INCLUDES ITEMS 58 - 63)	2	2
58	22258-G1						LENS COVER	1	1
59	22264-G1						SCREW	2	2
60	21759-G1						BULB, REPLACEMENT	1	1
61	22257-G1						BASE, TAILLIGHT	1	1
62	22259-G1						GASKET, RUBBER	1	1
63	23576-G1						GROMMET, LIGHT	2	2
64	18392-G2						FUSE, 20 AMP	1	1
65	16172-G1						CLAMP, NYLON	4	4
66									
67									
68	22437-G1						TURN SIGNAL SWITCH KIT (INCLUDES ITEMS 69 - 80)	1	1

HORN AND ACCESSORY WIRING

ELECTRIC/GASOLINE POWERED TRUCK

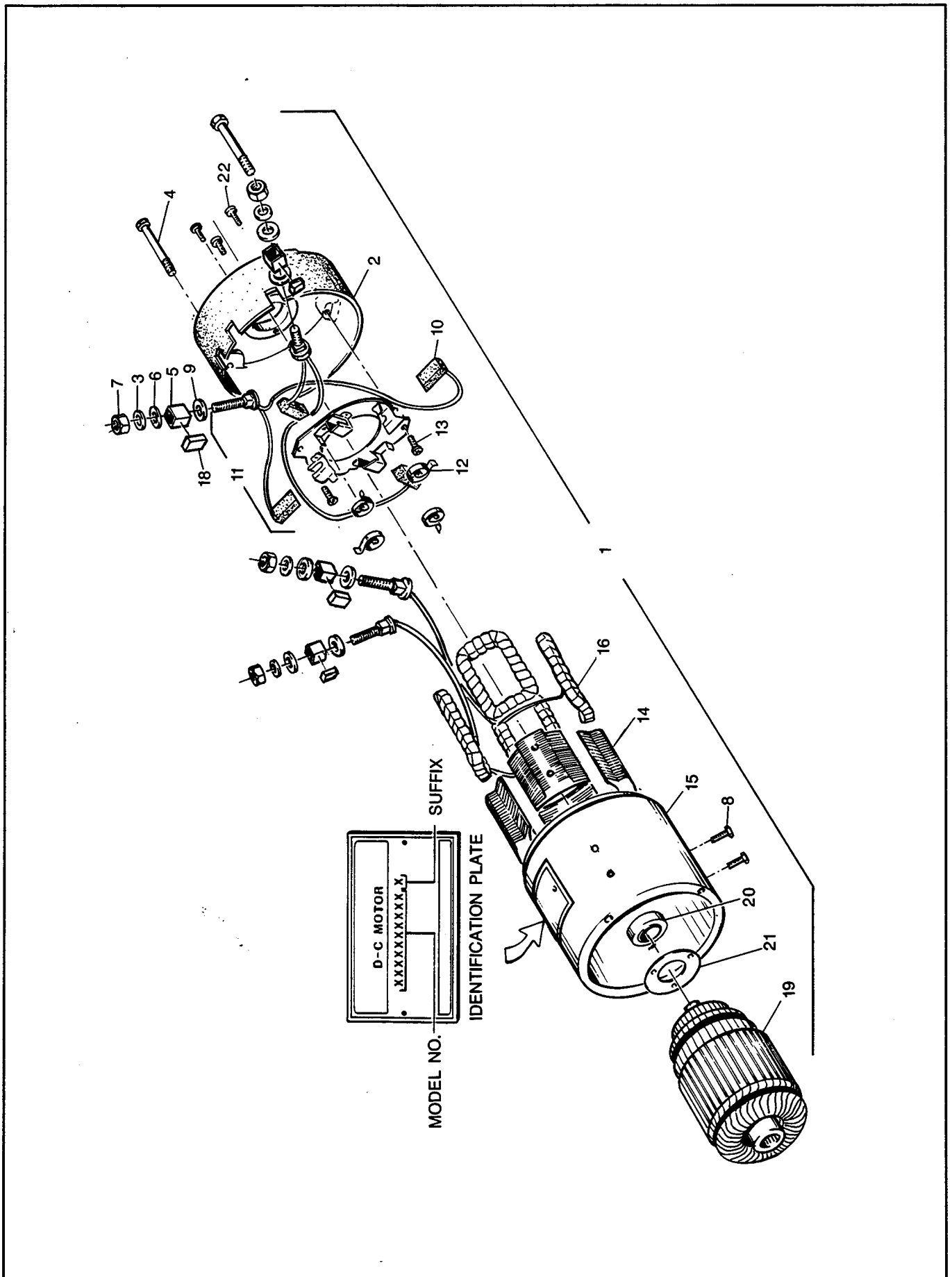
THE USE OF NON U.L. PARTS WILL VOID ANY U.L. LISTING.

When ordering parts, please specify the model and serial number of the product.

* Indicates a component that is not available as an individual part.

3 WHEEL	4 WHEEL
---------	---------

ITEM	PART NO.	1	2	3	4	5	DESCRIPTION	QTY	
								3 WHEEL	4 WHEEL
69	18927-G1						MOUNT KIT, TURN SIGNAL	2	2
70	21806-G1						BRACKET, TURN SIGNAL	2	2
71	00598-G4						SCREW, SELF-DRILL AND TAP, #8 - 18 X 1/2 LG.	4	4
72	19180-G2						SIGNAL LAMP, YELLOW	2	2
73	17867-G1						SWITCH, TURN SIGNAL ASSEMBLY (INCLUDES ITEM 74)	1	1
74	21640-G1						FLASHER, TURN SIGNAL	1	1
75	00372-G4						SCREW, #8 - 32 X 1/2 LG.	1	1
76	00565-G4						WASHER, LOCK, #8	1	1
77	00526-G1						NUT, #8 - 32	1	1
78	20965-G3						COVER, STEERING COLUMN (WITH TURN SIGNALS)	1	1
79	18392-G2						FUSE, 20 AMP	1	1
80	19344-G1						TAPE, VINYL	AR	AR
81									
82									
83	19197-G7						METER KIT, STATE OF CHARGE (ROUND) (INCLUDES ITEMS 84 - 87) .	1	1
84	19714-G1						METER, STATE OF CHARGE	1	1
85	18001-G1						BRACKET	1	1
86	00414-G4						SCREW, 1/4 - 20 X 1/2 LG.	2	2
87	11027-G2						NUT, LOCK, 1/4 - 20	2	2
88									
89	19197-G3						METER KIT, STATE OF CHARGE (SQUARE) (INCLUDES ITEMS 90 - 94)	1	1
90	19196-G2						METER, STATE OF CHARGE	1	1
91	00372-G5						SCREW, #8 - 32 X 5/8 LG.	2	2
92	00559-G4						WASHER, #8	2	2
93	00565-G4						WASHER, LOCK, #8	2	2
94	00526-G1						NUT, #8 - 32	2	2



MOTOR

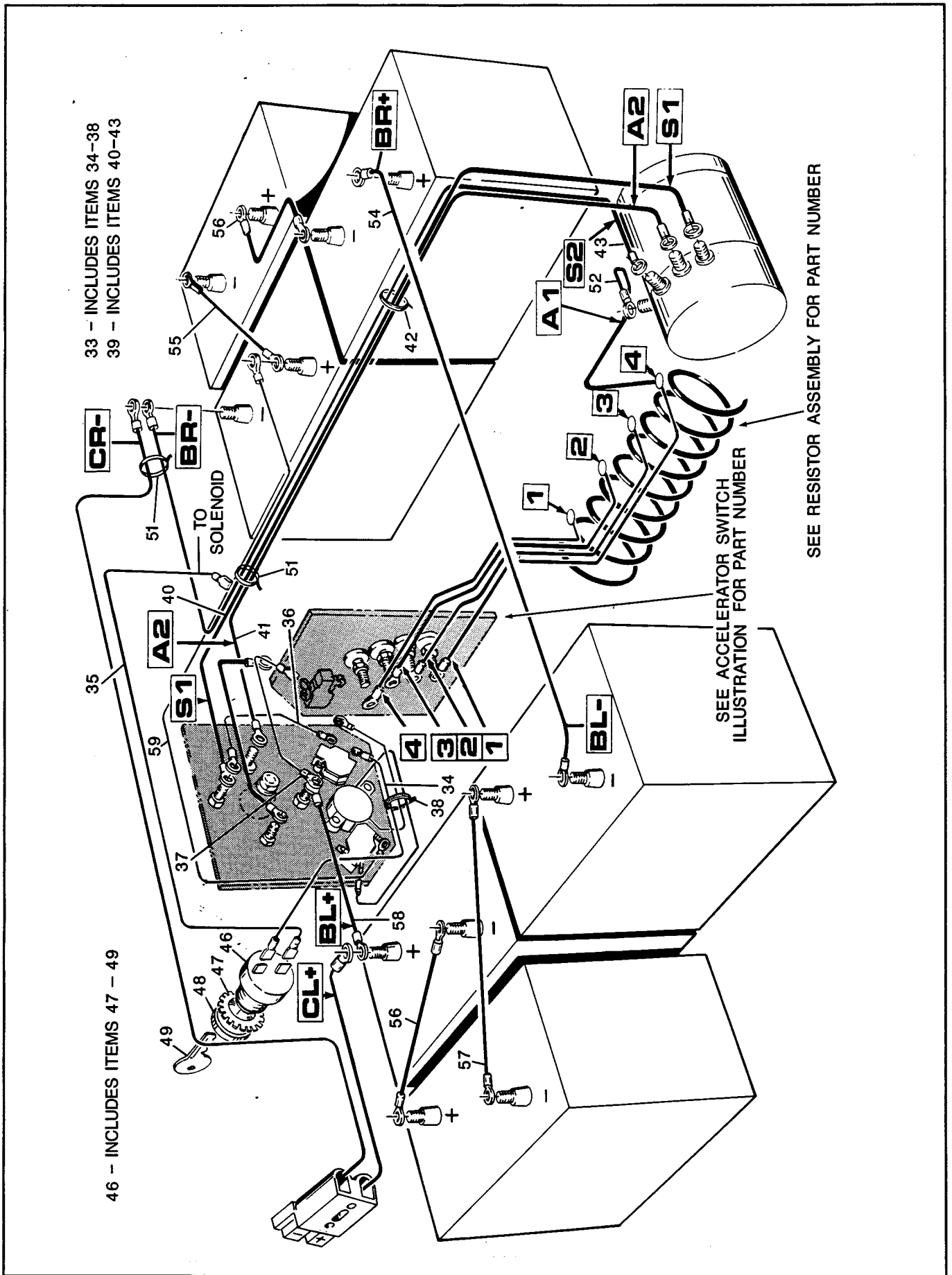
ELECTRIC POWERED TRUCK

THE USE OF NON U.L. PARTS WILL VOID ANY U.L. LISTING.

When ordering parts, please specify the model and serial number of the product.

* Indicates a component that is not available as an individual part.

ITEM	PART NO.	1	2	3	4	5	DESCRIPTION	QTY	
								3 WHEEL	4 WHEEL
1	22858-G1						MOTOR (INCLUDES ITEMS 2 -22)	1	1
2	16922-G1						ENDSHIELD, COMMUTATOR END	1	1
3	13483-G1						WASHER	4	4
4	16919-G1						SCREW, MOTOR CLAMP	2	2
5	15437-G1						BUSHING, INSULATOR	4	4
6	15438-G1						WASHER, INSULATOR	4	4
7	15440-G1						NUT, LOCK	4	4
8	23234-G1						SCREW, POLE PIECE	8	8
9	15442-G1						WASHER, INSULATOR, TERMINAL	4	4
10	16917-G1						BRUSH	2	2
11	16916-G1						BRUSH RIGGING (INCLUDES ITEM 12)	1	1
12	15446-G1						BRUSH SPRING	4	4
13	51333-G1						SCREW, BRUSH RIGGING MOUNT	2	2
14	*						FIELD POLE PIECES	4	4
15	*						SHELL, STATOR	1	1
16	23235-G1						FIELD COILS (SET)	1	1
17									
18	16948-G1						GASKET	4	4
19	23237-G1						ARMATURE	1	1
20	16918-G1						BALL BEARING, COMMUTATOR END	1	1
21	16930-G1						RETAINER, BEARING	1	1
22	23236-G1						SCREW, BEARING RETAINER	3	3



33 - INCLUDES ITEMS 34-38
 39 - INCLUDES ITEMS 40-43

CR-
 BR-
 BR+

TO SOLENOID

A2
 S1
 A1
 S2

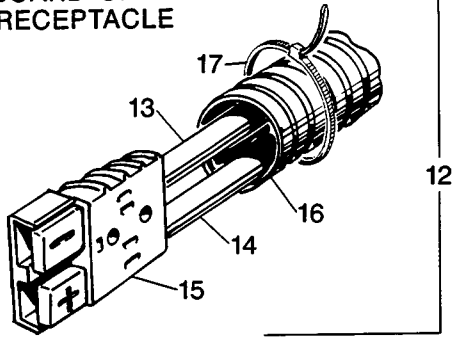
46 - INCLUDES ITEMS 47 - 49

BL-
 CL+

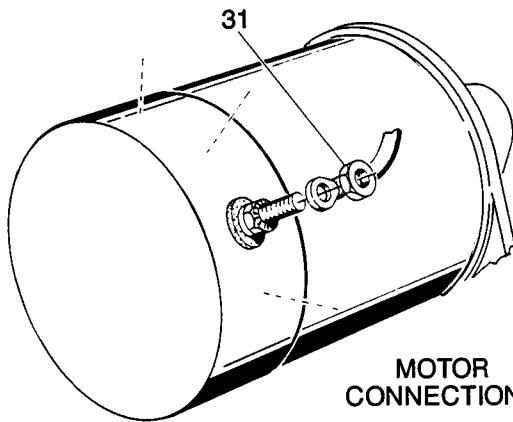
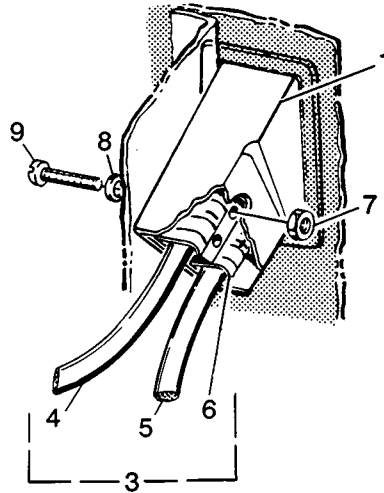
SEE ACCELERATOR SWITCH ILLUSTRATION FOR PART NUMBER

SEE RESISTOR ASSEMBLY FOR PART NUMBER

ON-BOARD CHARGER RECEPTACLE

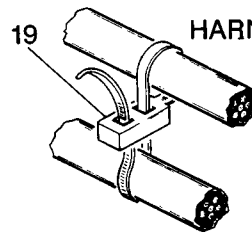


PORTABLE CHARGER RECEPTACLE

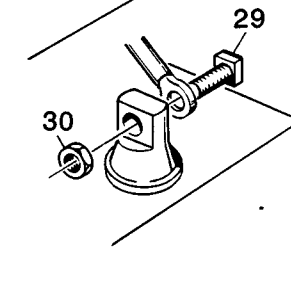
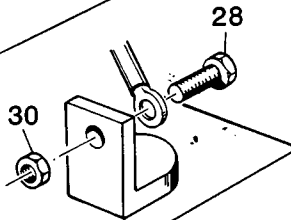
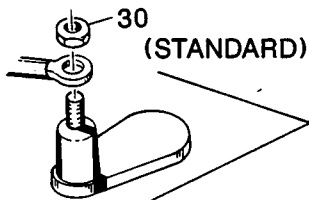


MOTOR CONNECTIONS

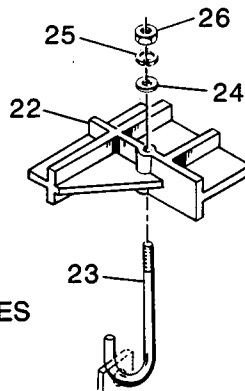
HARNESS CLAMP



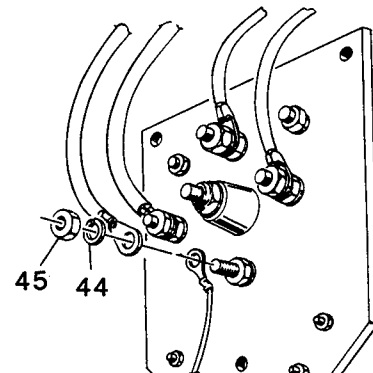
(STANDARD)



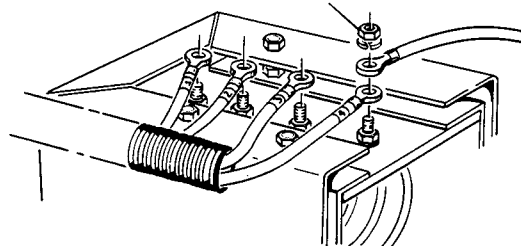
BATTERIES



FORWARD-NEUTRAL-REVERSE SWITCH CONNECTIONS



SEE RESISTOR COIL ASSEMBLY SECTION FOR HARDWARE PART NUMBERS



POWER WIRING

RESISTOR COIL VERSION

ELECTRIC POWERED TRUCK

THE USE OF NON U.L. PARTS WILL VOID ANY U.L. LISTING.

When ordering parts, please specify the model and serial number of the product.

* Indicates a component that is not available as an individual part.

ITEM	PART NO.	1	2	3	4	5	DESCRIPTION	3 WHEEL	4 WHEEL
								QTY	QTY
1	18724-G1						HOLDER, CHARGER RECEPTACLE	1	1
2									
3	18784-G1						WIRING HARNESS CHARGER CONNECTOR (XT-300/500 VEHICLES ONLY) (INCLUDES ITEMS 4 - 6)	1	1
4	14852-G1						WIRE (CR-)	1	1
5	14852-G2						WIRE (CR+)	1	1
6	18782-G1						CONNECTOR	1	1
7	14390-G9						NUT, LOCK, #6 - 32	2	2
8	00559-G3						WASHER, #6	2	2
9	00645-G2						SCREW, #6 - 32 X 1 1/4 LG.	2	2
10									
11									
12	22344-G1						WIRING HARNESS, CHARGER CONNECTOR (XI-300/500 VEHICLES ONLY) (INCLUDES ITEMS 13 - 17)	1	1
13	22349-G1						WIRE (CR-)	1	1
14	22349-G2						WIRE (CR+)	1	1
15	18782-G1						CONNECTOR	1	1
16	22351-G1						LOOM, FLEX	1	1
17	16172-G1						CLAMP, NYLON	2	2
18									
19	23544-G1						CLAMP, NYLON, DOUBLE	4	4
20									
21	*						BATTERY, 6 VOLT (CONTACT CUSTOMER SERVICE REPRESENTATIVE)	6	6
22	15736-G1						BATTERY HOLD DOWN	2	2
23	15734-G2						J BOLT, BATTERY	2	2
24	00559-G8						WASHER, 5/16	2	2
25	00565-G8						WASHER, LOCK, 5/16	2	2
26	00702-G2						NUT, 5/16 - 18	2	2
27									
28	00270-G6						SCREW, 5/16 - 18 X 3/4 LG.	12	12
29	12649-G1						BOLT, BATTERY, SQUARE HEAD, 5/16 - 18 X 1 LG.	12	12
30	00702-G2						NUT, 5/16 - 18	12	12
31	00883-G3						NUT, 5/16 - 18	4	4
32									
33	17868-G1						CONTROL WIRING HARNESS, DIRECTION SELECTOR (INCLUDES ITEMS 34 - 38)	1	1

POWER WIRING

RESISTOR COIL VERSION

ELECTRIC POWERED TRUCK

THE USE OF NON U.L. PARTS WILL VOID ANY U.L. LISTING.

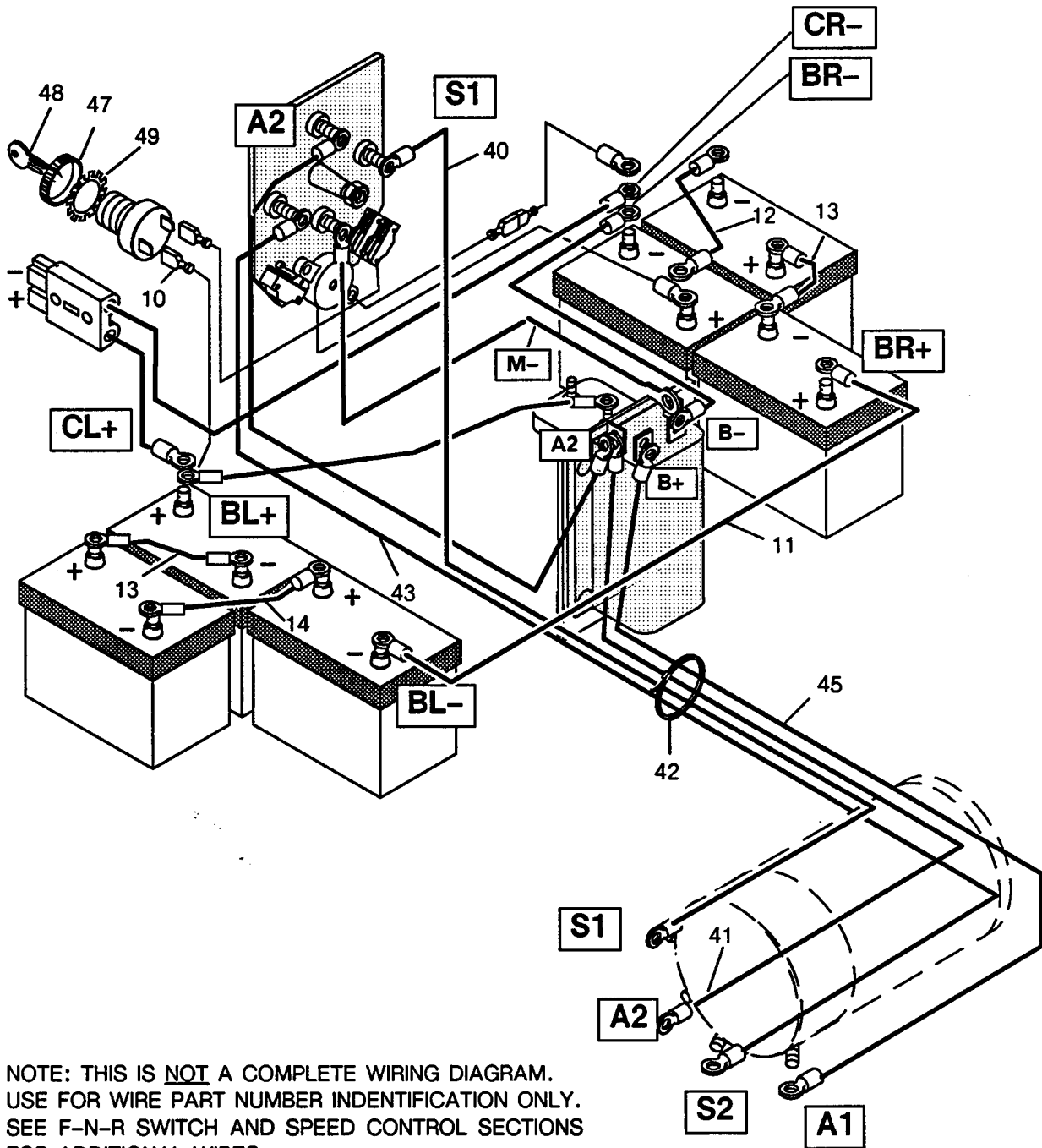
When ordering parts, please specify the model and serial number of the product.

* Indicates a component that is not available as an individual part.

ITEM	PART NO.	1	2	3	4	5	DESCRIPTION	QTY	
								3 WHEEL	4 WHEEL
34	14619-G2						WIRE (LIGHT BLUE)	1	1
35	17870-G1						WIRE (YELLOW)	1	1
36	14615-G1						WIRE (BLACK)	1	1
37	17869-G1						WIRE (RED AND WHITE)	1	1
38	16172-G1						CLAMP, NYLON	2	2
39	18894-G1						WIRING HARNESS, F-N-R SWITCH (INCLUDES ITEMS 40 - 43)	1	1
40	17855-G1						WIRE (S1)	1	1
41	17856-G1						WIRE (A2)	1	1
42	17618-G1						CLAMP, NYLON (BLACK)	5	5
43	17858-G1						WIRE (S2)	1	1
44	00565-G8						WASHER, LOCK, 5/16	4	4
45	00544-G3						NUT, 5/16 - 18	4	4
46	17421-G1						IGNITION SWITCH KIT (INCLUDES ITEMS 47 - 49)	1	1
47	00568-G6						WASHER, LOCK, EXTERNAL TOOTH, 3/4	1	1
48	17137-G1						FACE NUT	1	1
49	17063-G1						IGNITION KEY	1	1
50									
51	17618-G1						CLAMP, NYLON	2	2
52	18897-G3						WIRE (A1-4)	1	1
53									
54	11885-G4						WIRE	1	1
55	23540-G1						WIRE	1	1
56	11893-G1						WIRE	2	2
57	11894-G1						WIRE	1	1
58	14610-G1						WIRE	1	1
59	23645-G1						WIRE	1	1
	**						CURRENT INDICATOR	NA	NA
	**						BATTERY TESTER (DISCHARGE MACHINE)	NA	NA
	**						HYDROMETER	NA	NA
	**						OHM METER (MULTI-METER)	NA	NA
							** SEE APPENDIX FOR SERVICE ACCESSORIES AND SPECIAL TOOLS		

SOLID STATE SPEED CONTROL VERSION

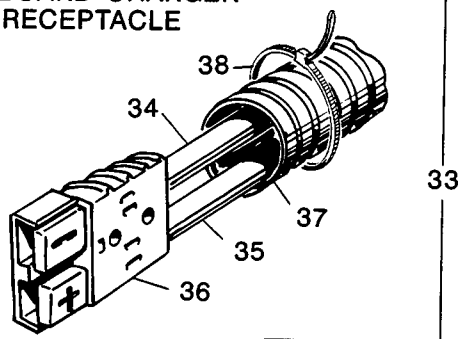
39 INCLUDES ITEMS 40 - 45
 46 INCLUDES ITEMS 47 - 49



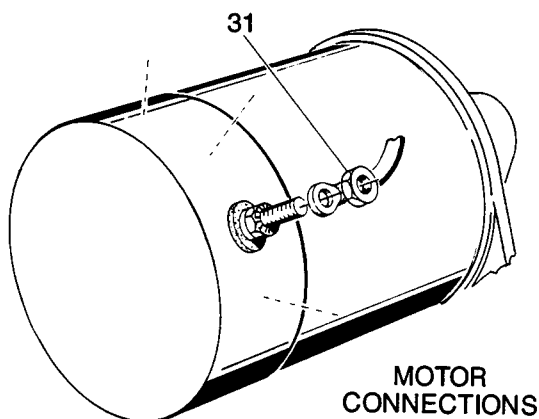
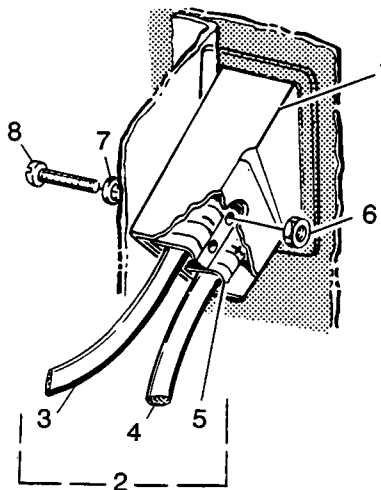
NOTE: THIS IS NOT A COMPLETE WIRING DIAGRAM.
 USE FOR WIRE PART NUMBER IDENTIFICATION ONLY.
 SEE F-N-R SWITCH AND SPEED CONTROL SECTIONS
 FOR ADDITIONAL WIRES.

SOLID STATE SPEED CONTROL VERSION

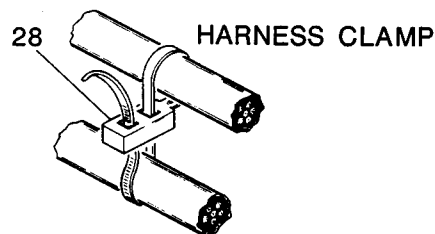
ON-BOARD CHARGER RECEPTACLE



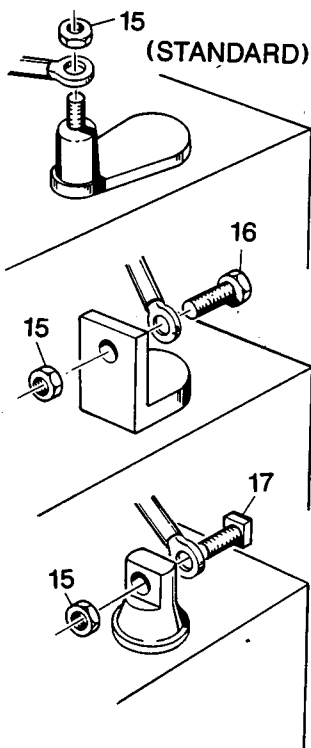
PORTABLE CHARGER RECEPTACLE



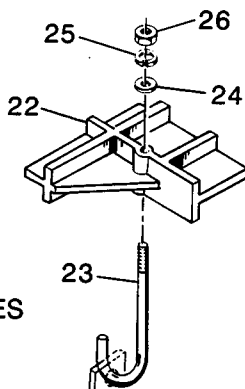
MOTOR CONNECTIONS



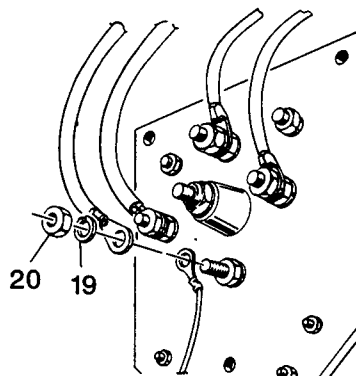
HARNESS CLAMP



BATTERIES



FORWARD-NEUTRAL-REVERSE SWITCH CONNECTIONS



POWER WIRING

ELECTRIC POWERED TRUCK

SOLID STATE SPEED CONTROL VERSION

THE USE OF NON U.L. PARTS WILL VOID ANY U.L. LISTING.

When ordering parts, please specify the model and serial number of the product.

* Indicates a component that is not available as an individual part.

3 WHEEL	4 WHEEL
---------	---------

ITEM	PART NO.	1	2	3	4	5	DESCRIPTION	QTY	
								3 WHEEL	4 WHEEL
1	18724-G1						HOLDER, CHARGER RECEPTACLE	1	1
2	18784-G1						WIRING HARNESS CHARGER CONNECTOR (INCLUDES ITEMS 3 - 5) ...	1	1
3	14852-G1						WIRE (CR-)	1	1
4	14852-G2						WIRE (CL+)	1	1
5	18782-G1						CONNECTOR	1	1
6	14390-G9						NUT, LOCK, #6 - 32	2	2
7	00559-G3						WASHER, #6	2	2
8	00645-G2						SCREW, #6 - 32 X 1 1/4 LG.	2	2
9									
10	23968-G1						WIRE (RED)	1	1
11	11885-G4						WIRE	1	1
12	23540-G1						WIRE	1	1
13	11893-G1						WIRE	2	2
14	11894-G1						WIRE	1	1
15	00702-G2						NUT, 5/16 - 18	12	12
16	00270-G6						SCREW, 5/16 - 18 X 3/4 LG.	12	12
17	12649-G1						BOLT, BATTERY, SQUARE HEAD, 5/16 - 18 X 1 LG.	12	12
18									
19	00565-G8						WASHER, LOCK, 5/16	4	4
20	00702-G2						NUT, 5/16 - 18	4	4
21									
22	15736-G1						BATTERY HOLD DOWN	2	2
23	15734-G2						J BOLT	2	2
24	00559-G8						WASHER, 5/16	2	2
25	00565-G8						WASHER, LOCK, 5/16	2	2
26	00702-G2						NUT, 5/16 - 18	2	2
27									
28	23544-G1						CLAMP, NYLON, DOUBLE	4	4
29									
30	00567-G8						WASHER, LOCK, EXTERNAL TOOTH, 5/16	2	2
31	00532-G3						NUT, 5/16 - 18	4	4
32									
33	22344-G1						WIRING HARNESS, CHARGER CONNECTOR (XI-300/500 VEHICLES ONLY) (INCLUDES ITEMS 34 - 38)	1	1
34	22349-G1						WIRE (CR-)	1	1

POWER WIRING

ELECTRIC POWERED TRUCK

SOLID STATE SPEED CONTROL VERSION

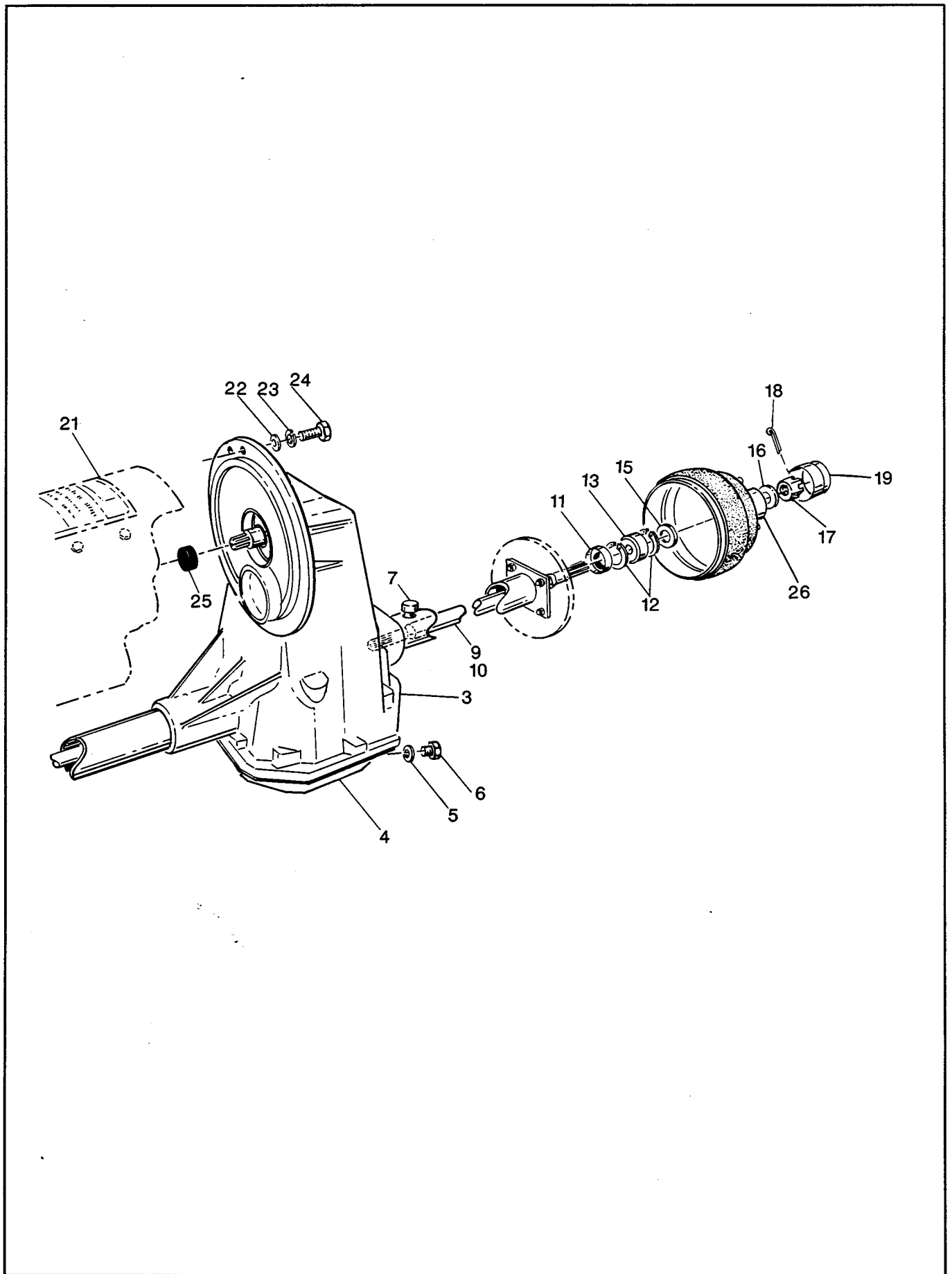
THE USE OF NON U.L. PARTS WILL VOID ANY U.L. LISTING.

When ordering parts, please specify the model and serial number of the product.

* Indicates a component that is not available as an individual part.

3 WHEEL	4 WHEEL
------------	------------

ITEM	PART NO.	1	2	3	4	5	DESCRIPTION	QTY	
								3 WHEEL	4 WHEEL
35	22349-G2						WIRE (CR+)	1	1
36	18782-G1						CONNECTOR	1	1
37	22351-G1						LOOM, FLEX	1	1
38	16172-G1						CLAMP, NYLON	2	2
39	23978-G1						WIRING HARNESS, DIRECTION SELECTOR (INCLUDES ITEMS 40 - 45) .	1	1
40	23793-G9						WIRE (S1)	1	1
41	23793-G7						WIRE (A2)	1	1
42	17618-G1						CLAMP, NYLON (BLACK)	5	5
43	23793-G8						WIRE (S2)	1	1
44									
45	23793-G6						WIRE (A1)	1	1
46	17421-G1						IGNITION SWITCH KIT (INCLUDES ITEMS 47 - 49)	1	1
47	17137-G1						FACE NUT	1	1
48	17063-G1						IGNITION KEY	1	1
49	00568-G6						WASHER, LOCK, EXTERNAL TOOTH, 3/4	1	1
50									
51	17618-G1						CLAMP, NYLON	2	2
	**						CURRENT INDICATOR	NA	NA
	**						BATTERY TESTER (DISCHARGE MACHINE)	NA	NA
	**						HYDROMETER	NA	NA
	**						OHM METER (MULTI-METER)	NA	NA
							** SEE APPENDIX FOR SERVICE ACCESSORIES AND SPECIAL TOOLS		



REAR AXLE

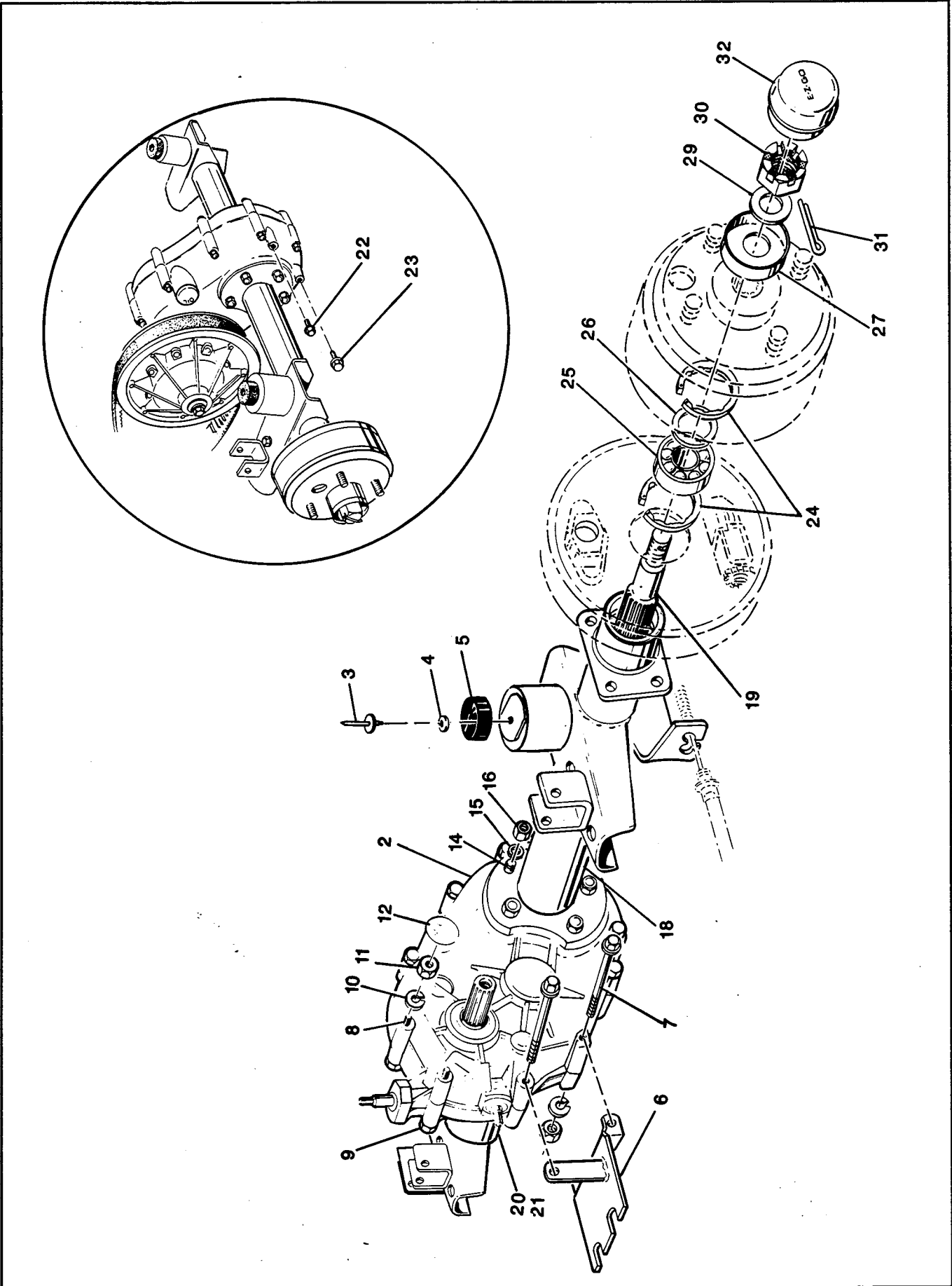
ELECTRIC POWERED TRUCK

THE USE OF NON U.L. PARTS WILL VOID ANY U.L. LISTING.

When ordering parts, please specify the model and serial number of the product.

* Indicates a component that is not available as an individual part.

ITEM	PART NO.	1	2	3	4	5	DESCRIPTION	QTY	
								3 WHEEL	4 WHEEL
1	XXXXX-XX						WHEEL BRAKE SET (SEE SECTION FF FOR PART NUMBERS AND QUANTITIES)	1	1
2	25792-G01						REAR AXLE ASSEMBLY, TURF 12.44 (INCLUDES ITEMS 4 - 13)	1	1
3	25792-G02						REAR AXLE ASSEMBLY, INDUSTRIAL 14.78 (INCLUDES ITEMS 4 - 13) .	1	1
4	25228-G1						COVER	1	1
5	25227-G1						WASHER	1	1
6	25226-G1						PLUG, FILL/CHECK	1	1
7	25229-G1						VENT, VALVE	1	1
8									
9	20377-G7						SHAFT, AXLE, PASSENGER SIDE	1	1
10	20377-G8						SHAFT, AXLE, DRIVER'S SIDE	1	1
11	15114-G1						SEAL, AXLE	2	2
12	15113-G1						RING, RETAINING	4	4
13	15112-G1						BALL, BEARING, AXLE	2	2
14									
15	15485-G1						WASHER, 20 MM	2	2
16	15487-G1						WASHER, BRAKE DRUM, 5/8	2	2
17	15483-G1						NUT, SLOTTED, 5/8 - 18	2	2
18	10387-G1						PIN, COTTER, 1/8 X 1 1/2 LG.	2	2
19	12091-G1						CAP, SPINDLE	2	2
20									
21	XXXX-XX						MOTOR (SEE SECTION V FOR PART NUMBERS AND QUANTITIES)	1	1
22	00559-G7						WASHER, 1/4	3	3
23	00565-G7						WASHER, LOCK, 1/4	3	3
24	00797-G2						SCREW, 1/4 - 20 X 1 1/4 LG.	3	3
25	24261-G1						BUMPER, SPLINE	1	1
26	24939-G1						ADAPTOR, SPINDLE CAP	2	2



REAR AXLE, 4-CYCLE

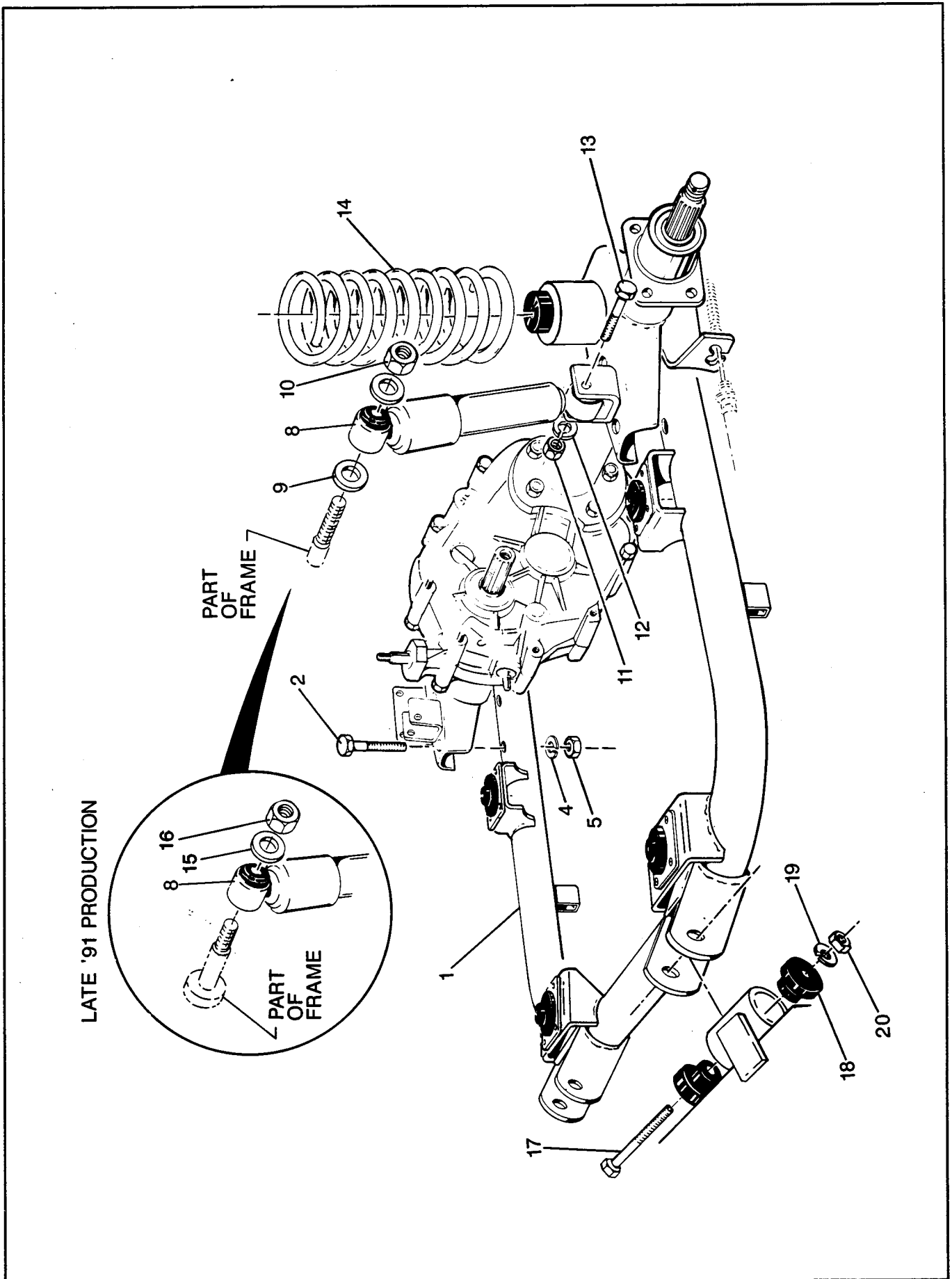
GASOLINE POWERED TRUCK

THE USE OF NON U.L. PARTS WILL VOID ANY U.L. LISTING.

When ordering parts, please specify the model and serial number of the product.

* Indicates a component that is not available as an individual part.

ITEM	PART NO.	1	2	3	4	5	DESCRIPTION	3 WHEEL	4 WHEEL
								QTY	QTY
1									
2	25696-G01						AXLE, REAR, 4-CYCLE (INCLUDES ITEMS 2 - 32)		1
3	14601-G1						RIVET		2
4	00559-G5						WASHER, #10		2
5	13728-G1						BUMPER		2
6	26815-G01						BRACKET, SHIFTER CABLE		1
7	26823-G01						BOLT, FLANGE, M8 X 1.25 X 100 MM		8
8	26824-G01						BOLT, FLANGE, M8 X 1.25 X 110 MM		1
9	26825-G01						BOLT, FLANGE, M8 X 1.25 X 120 MM		1
10	26826-G01						WASHER, LOCK, 8 MM		12
11	26827-G01						NUT, M8 X 1.25 MM		12
12	26772-G01						PLUG, OIL FILL		1
13									
14	26767-G01						STUD, M10 X 1.5 X 40 MM		10
15	26828-G01						WASHER, 10 MM		10
16	26829-G01						NUT, 10 MM X 1.5 MM		10
17									
18	26812-G01						CASE, AXLE, LEFT COMPLETE		1
19	26809-G01						SHAFT, AXLE, LEFT, COMPLETE		1
20	26813-G01						CASE, AXLE, RIGHT, COMPLETE		1
21	26810-G01						SHAFT, AXLE, RIGHT, COMPLETE		1
22	26768-G01						PLUG, OIL CHECK		1
23	26770-G01						PLUG, OIL DRAIN		1
24	26814-G01						RING, RETAINING		4
25	26811-G01						BALL BEARING		2
26	15485-G1						WASHER, 20 MM		2
27	24939-G2						ADAPTER, SPINDLE CAP		2
28									
29	21830-G1						WASHER, BRAKE DRUM		2
30	00518-G8						NUT, SLOTTED, 3/4 - 16		2
31	10387-G1						PIN, COTTER		2
32	12091-G1						CAP, SPINDLE		2



REAR SUSPENSION

GASOLINE POWERED TRUCK

THE USE OF NON U.L. PARTS WILL VOID ANY U.L. LISTING.

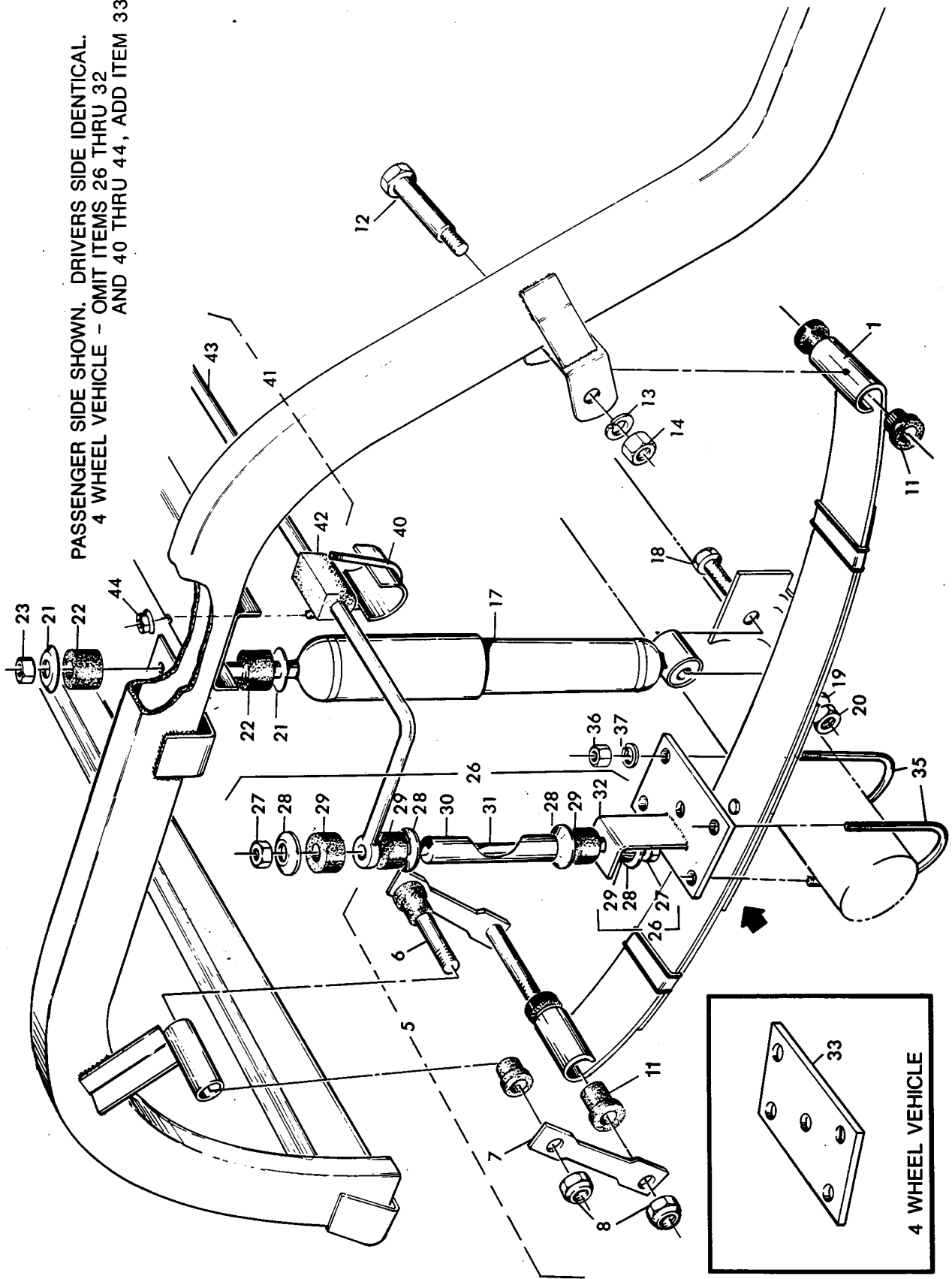
When ordering parts, please specify the model and serial number of the product.

* Indicates a component that is not available as an individual part.

3 WHEEL	4 WHEEL
------------	------------

ITEM	PART NO.	1	2	3	4	5	DESCRIPTION	QTY	
								3 WHEEL	4 WHEEL
1	25673-G01						FRAME, INNER (WITH FACTORY INSTALLED ENGINE MOUNTS)		1
2	00428-G8						SCREW, 3/8 - 16 X 3 LG.		4
3									
4	00560-G1						WASHER, LOCK, 3/8 - 16		4
5	00550-G5						NUT, LOCK, 3/8 - 16		4
6									
7									
8	24957-G1						ABSORBER, SHOCK		2
9	00560-G5						WASHER, 5/8		4
10	00551-G5						NUT, LOCK, 5/8 - 11		2
11	00550-G5						NUT, LOCK, 3/8 - 16		2
12	00560-G1						WASHER, LOCK, 3/8 - 16		2
13	00428-G4						SCREW, 3/8 - 16 X 2 1/2 LG.		2
14	14462-G1						SPRING, COMPRESSION		2
15	00560-G3						WASHER, 1/2		2
16	00551-G1						NUT, LOCK, 1/2 - 13		2
17	00405-G8						SCREW, 1/2 - 13 X 4 LG.		2
18	12302-G2						MOUNT, ISOLATION		4
19	00566-G3						WASHER, LOCK, 1/2		2
20	00551-G1						NUT, LOCK, 1/2 - 13		2
21									
22	00560-G3						WASHER, 1/2		1
23	00551-G1						NUT, LOCK, 1/2 - 13		1

PASSENGER SIDE SHOWN. DRIVERS SIDE IDENTICAL.
4 WHEEL VEHICLE - OMIT ITEMS 26 THRU 32
AND 40 THRU 44, ADD ITEM 33.



REAR SUSPENSION

ELECTRIC POWERED TRUCK

THE USE OF NON U.L. PARTS WILL VOID ANY U.L. LISTING.

When ordering parts, please specify the model and serial number of the product.

* Indicates a component that is not available as an individual part.

ITEM	PART NO.	1	2	3	4	5	DESCRIPTION	QTY	
								3 WHEEL	4 WHEEL
1	11645-G2						LEAF SPRING, HEAVY DUTY	2	2
2									
3									
4									
5	19675-G1						SPRING SHACKLE (INCLUDES ITEMS 6 - 8)	2	2
6	*						STUD PLATE, SHACKLE	2	2
7	*						PLATE, SHACKLE	2	2
8	19676-G1						NUT, LOCK, 3/8 - 24	4	4
9									
10									
11	20098-G1						BUSHING, RUBBER	12	12
12	15727-G1						BOLT, SHOULDER, 3/8 - 16	2	2
13	00566-G1						WASHER, LOCK, 3/8	2	2
14	00532-G5						NUT, 3/8 - 16	2	2
15									
16									
17	20279-G1						SHOCK ABSORBER, HEAVY DUTY	2	2
18	00428-G4						SCREW, 3/8 - 16 X 2 1/2 LG.	2	2
19	00560-G1						WASHER, 3/8	2	2
20	00550-G5						NUT, LOCK, 3/8 - 16	2	2
21	10435-G1						WASHER, SHOCK ABSORBER	4	4
22	10194-G1						BUSHING, SHOCK ABSORBER	4	4
23	00532-G6						NUT, 3/8 - 24	2	2
24									
25									
26	14770-G1						STABILIZER BAR SPRING BRACKET ASSEMBLY (INCLUDES ITEMS 27-32)	2	X
27	00532-G5						NUT, 3/8 - 16	4	X
28	10435-G1						WASHER	8	X
29	10194-G1						BUSHING	8	X
30	10840-G3						SPACER	2	X
31	10579-G6						ROD, THREADED	2	X
32	17141-G1						BRACKET, SPRING RETAINER	2	X
33	17034-G1						PLATE, SPRING RETAINER	X	2
34									

REAR SUSPENSION

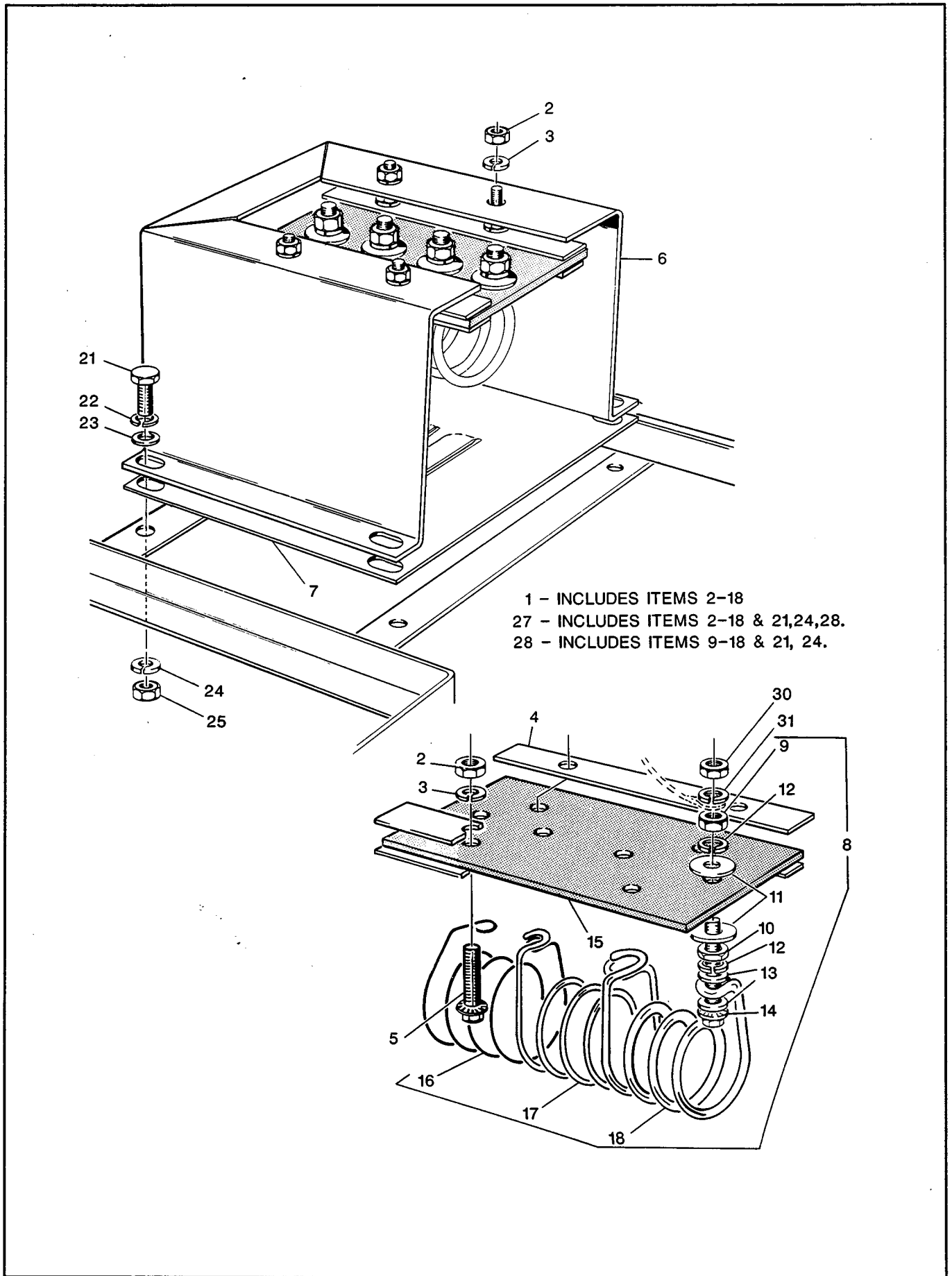
ELECTRIC POWERED TRUCK

THE USE OF NON U.L. PARTS WILL VOID ANY U.L. LISTING.

When ordering parts, please specify the model and serial number of the product.

* Indicates a component that is not available as an individual part.

ITEM	PART NO.	1	2	3	4	5	DESCRIPTION	QTY	
								3 WHEEL	4 WHEEL
35	13716-G2						"U" BOLT, AXLE	4	4
36	00532-G5						NUT, 3/8 - 16	8	8
37	00566-G1						WASHER, LOCK, 3/8	8	8
38									
39									
40	11640-G1						BRACKET, STABILIZER BAR	2	X
41	17284-G1						STABILIZER BAR ASSEMBLY (INCLUDES ITEMS 42 - 43)	1	X
42	11155-G1						BUSHING, STABILIZER	2	X
43	*						BAR, STABILIZER	1	X
44	11027-G4						NUT, LOCK, 5/16 - 24	4	X



RESISTOR COIL AND HOUSING ASSEMBLY

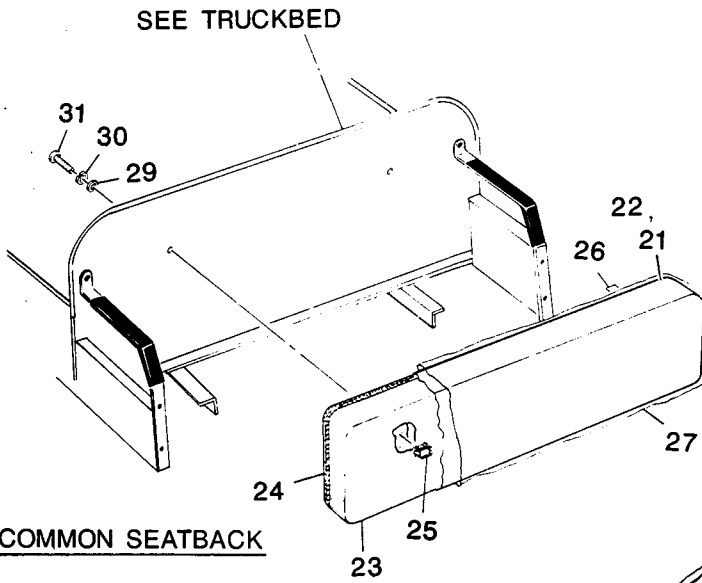
ELECTRIC POWERED TRUCK

THE USE OF NON U.L. PARTS WILL VOID ANY U.L. LISTING.

When ordering parts, please specify the model and serial number of the product.

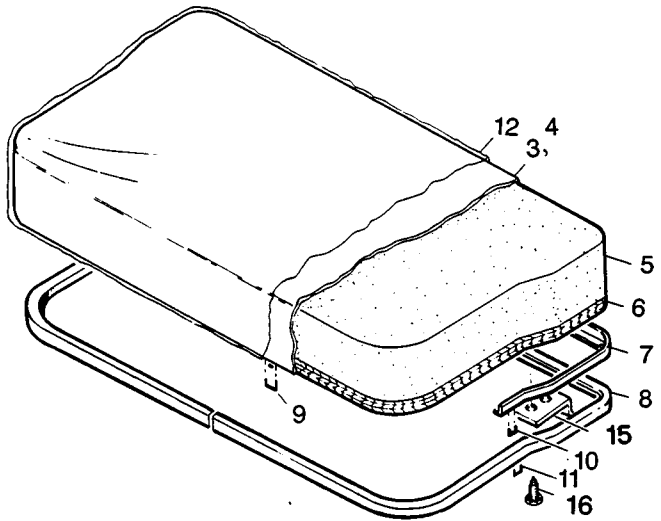
* Indicates a component that is not available as an individual part.

ITEM	PART NO.	1	2	3	4	5	DESCRIPTION	QTY	
								3 WHEEL	4 WHEEL
1	24904-G1	RESISTOR COIL ASSEMBLY (INCLUDES ITEMS 2 - 18)						1	1
2	00883-G1	NUT, 1/4 - 20						8	8
3	00664-G7	WASHER, LOCK, STAINLESS STEEL, 1/4						8	8
4	22951-G1	STRIP, SUPPORT						4	4
5	00661-G8	SCREW, STAINLESS STEEL, 1/4 - 20 X 1 LG.						4	4
6	18814-G1	SHIELD, RESISTOR						1	1
7	25174-G1	PANEL, RESISTOR						1	1
8	24903-G1	RESISTOR BOARD ASSEMBLY (INCLUDES ITEMS 9 - 18)						1	1
9	51401-G1	NUT, 5/16 - 18						8	8
10									
11	00907-G3	WASHER, 5/16						8	8
12	00664-G8	WASHER, LOCK, 5/16						8	8
13	00660-G8	WASHER, STAINLESS STEEL, 5/16						8	8
14	00685-G9	SCREW, LOCK, 5/16 - 18 X 2 LG.						4	4
15	18811-G1	BOARD, RESISTOR						1	1
16	23293-G1	COIL, RESISTOR, LIGHT						1	1
17	23294-G1	COIL, RESISTOR, MEDIUM						1	1
18	23295-G1	COIL, RESISTOR, HEAVY						1	1
19									
20									
21	00933-G1	SCREW, STAINLESS STEEL, 1/4 - 20 X 1 1/4 LG.						4	4
22	00664-G7	WASHER, LOCK, STAINLESS STEEL, 1/4						4	4
23	00660-G7	WASHER, STAINLESS STEEL, 1/4						4	4
24	00565-G7	WASHER, LOCK, 1/4						4	4
25	00532-G1	NUT, 1/4 - 20						4	4
26									
27									
28									
29									
30	00883-G3	NUT, 5/16 - 18						4	4
31	00882-G8	WASHER, LOCK, 5/16						4	4



COMMON SEATBACK

- 19 - INCLUDES ITEMS 22 - 27
- 20 - INCLUDES ITEMS 21 AND 23 - 27



- 1 - INCLUDES ITEMS 4-12
- 2 - INCLUDES ITEMS 3 AND 5-12

SEATING

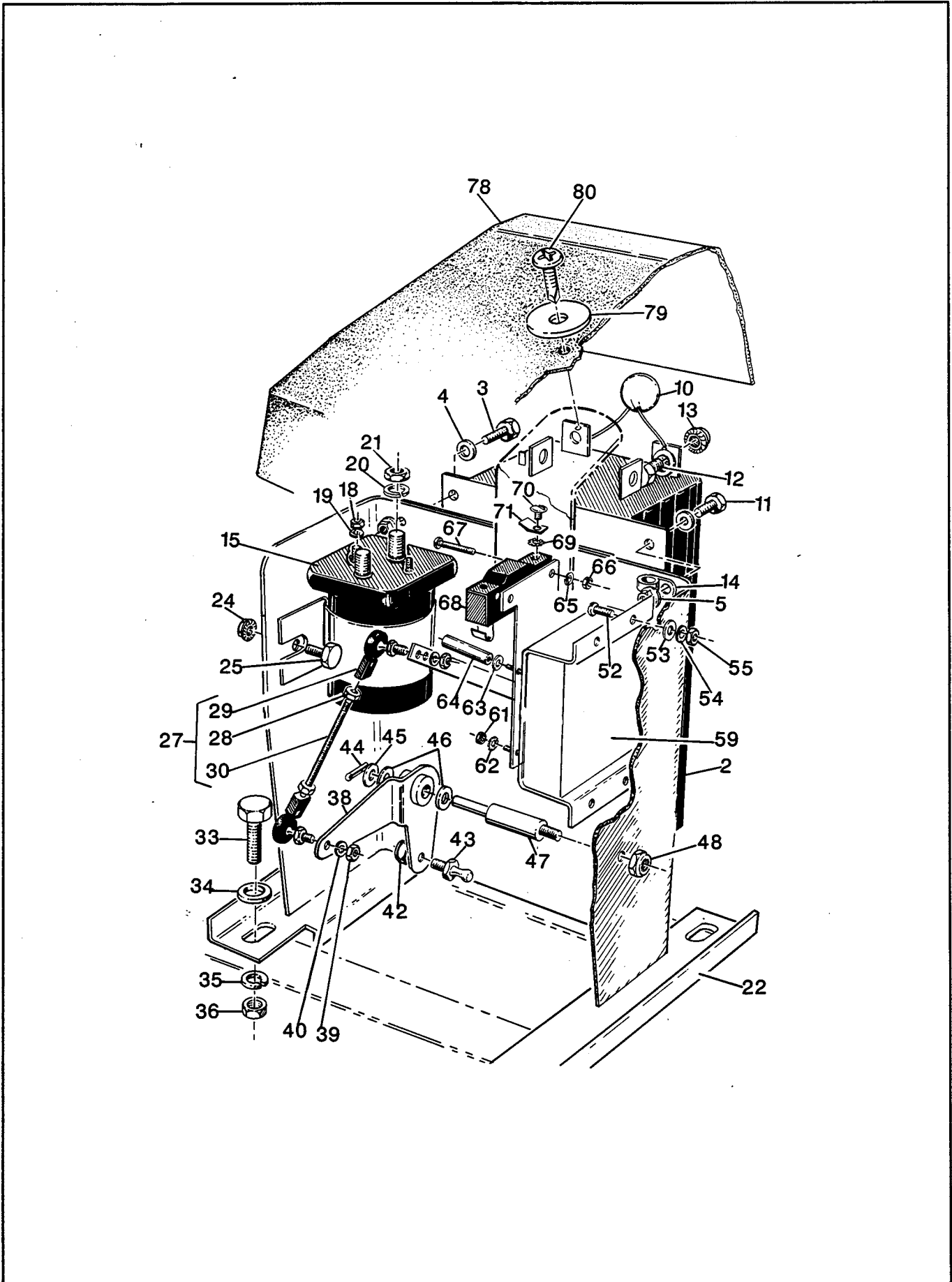
ELECTRIC/GASOLINE POWERED TRUCK

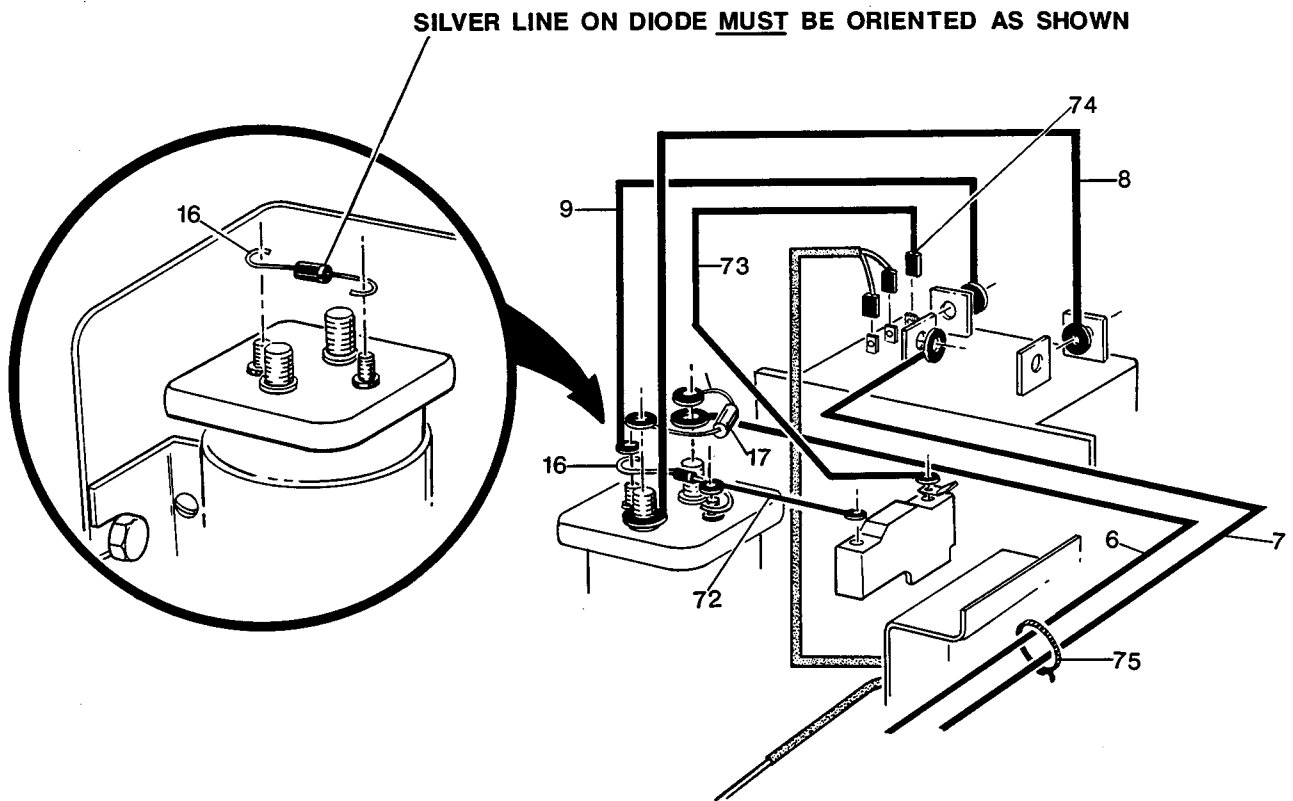
THE USE OF NON U.L. PARTS WILL VOID ANY U.L. LISTING.

When ordering parts, please specify the model and serial number of the product.

* Indicates a component that is not available as an individual part.

ITEM	PART NO.	1	2	3	4	5	DESCRIPTION	3 WHEEL	4 WHEEL
								QTY	QTY
1	25504-G05						SEAT BOTTOM ASSEMBLY, BLACK, (INCLUDES ITEMS 4-12)	1	1
2	25504-G03						SEAT BOTTOM ASSEMBLY, TAN, (INCLUDES ITEMS 3 AND 5-12)	1	1
3	18146-G4						COVER, SEAT BOTTOM, TAN	1	1
4	18146-G3						COVER, SEAT BOTTOM, BLACK	1	1
5	25432-G2						CUSHION, FOAM, SEAT BOTTOM	1	1
6	18148-G2						SEAT BOTTOM, PLYWOOD	1	1
7	17113-G1						TRIM, VINYL	1	1
8	12727-G1						GASKET, SEAT	1	1
9	*						STAPLE, FLAT, STAINLESS STEEL, 3/8 X 3/8	110	110
10	*						STAPLE, FLAT, STAINLESS STEEL, 5/16 X 5/8	24	24
11	*						STAPLE, STAINLESS STEEL, 1/2 X 9/16	71	71
12	*						PLASTIC BAG	1	1
13									
14									
15	18250-G1						BRACKET, SEAT HINGE	2	2
16	00115-G2						SCREW, SELF-TAPPING, 1/4 - 10 X 3/4 LG.	4	4
17									
18									
19	25807-G09						SEAT BACK ASSEMBLY, BLACK (INCLUDES ITEMS 22-27)	1	1
20	25807-G10						SEAT BACK ASSEMBLY, TAN (INCLUDES ITEMS 21 AND 23-27)	1	1
21	18144-G4						COVER, SEAT BACK, TAN	1	1
22	18144-G3						COVER, SEAT BACK, BLACK	1	1
23	25433-G2						FOAM CUSHION	1	1
24	18951-G1						SEAT BACK, PLYWOOD	1	1
25	11782-G2						NUT, TEE, 1/4 - 20	2	2
26	*						STAPLE	95	95
27	*						PLASTIC BAG	1	1
28									
29	00915-G1						WASHER, BONDED SEAL	2	2
30	00664-G7						WASHER, LOCK, STAINLESS STEEL, 1/4	2	2
31	16705-G1						SCREW, STAINLESS STEEL, 1/4 - 20 X 1 LG.	2	2





SOLID STATE SPEED CONTROL (ESC)

ELECTRIC POWERED TRUCK

THE USE OF NON U.L. PARTS WILL VOID ANY U.L. LISTING.

When ordering parts, please specify the model and serial number of the product.

* Indicates a component that is not available as an individual part.

3 WHEEL	4 WHEEL
---------	---------

ITEM	PART NO.	1	2	3	4	5	DESCRIPTION	QTY	
								3 WHEEL	4 WHEEL
1	*						ELECTRONIC SPEED CONTROL ASSEMBLY (INCLUDES ITEMS 2-25) . . .	1	1
2	22717-G1						CONTROLLER, ESC	1	1
3	00414-G5						SCREW, 1/4 - 20 X 5/8 LG.	3	3
4	00561-G7						WASHER, 1/4	4	4
5	11027-G2						NUT, LOCK, 1/4 - 20	4	4
6	23793-G3						WIRE, (SOL-BL+)	1	1
7	23793-G4						WIRE, (M-C)	1	1
8	23793-G1						WIRE, (SOL-B+)	1	1
9	24021-G1						WIRE, (BLACK)	1	1
10	25949-G1						VARISTOR, MOV	1	1
11	00414-G6						SCREW, 1/4 - 20 X 3/4 LG.	1	1
12	00270-G5						SCREW, 5/16 - 18 X 5/8 LG.	4	4
13	11027-G1						NUT, LOCK, 5/16 - 18	4	4
14	11845-G5						CLIP, CABLE, INSULATED	1	1
15	20468-G1						SOLENOID	1	1
16	30353-G1						DIODE, 3.0 AMPS	1	1
17	21764-G1						RESISTOR	1	1
18	00526-G4						NUT	2	2
19	00565-G5						WASHER	2	2
20	00565-G8						WASHER	2	2
21	00544-G4						NUT	2	2
22	25378-G01						BRACKET, ELECTRONIC SPEED CONTROL	1	1
23									
24	11027-G2						NUT, LOCK, 1/4 - 20	2	2
25	00414-G4						SCREW, 1/4 - 20 X 1/2 LG.	2	2
26									
27	22587-G5						ROD, ADJUSTING ASSEMBLY (INCLUDES ITEMS 28 - 30)	1	1
28	24465-G1						SOCKET	2	2
29	00526-G4						NUT, #10 - 32	2	2
30	23722-G1						ROD, CONTROL	1	1
31									
32									
33	00661-G8						SCREW, 1/4 - 20 X 1 LG.	4	4
34	00559-G7						WASHER, 1/4	4	4

SOLID STATE SPEED CONTROL (ESC)

ELECTRIC POWERED TRUCK

THE USE OF NON U.L. PARTS WILL VOID ANY U.L. LISTING.

When ordering parts, please specify the model and serial number of the product.

* Indicates a component that is not available as an individual part.

ITEM	PART NO.	1	2	3	4	5	DESCRIPTION	QTY	
								3 WHEEL	4 WHEEL
35	00565-G7						WASHER, LOCK, 1/4	4	4
36	00532-G1						NUT, 1/4 - 20	4	4
37									
38	25331-G1						ARM, PIVOT	1	1
39	00526-G4						NUT, #10 - 32	2	2
40	00565-G5						WASHER, LOCK, #10	2	2
41	24479-G1						BALLJOINT, BALL	2	2
42	11098-G9						NUT, LOCK, 5/16 - 24	1	1
43	15944-G3						BALLJOINT, BALL	1	1
44	10387-G3						PIN, COTTER 3/2 X 3/4	1	1
45	00559-G8						WASHER, 5/16	1	1
46	24621-G1						WASHER, NYLON	2	2
47	25328-G1						ROD, PIVOT	1	1
48	14390-G1						NUT, LOCK, 3/8 - 24	1	1
49									
50									
51									
52	00150-G4						SCREW, #10 - 24 X 1/2 LG.	3	3
53	00565-G5						WASHER, LOCK, #10	3	3
54	00559-G5						WASHER, #10	3	3
55	00526-G3						NUT, #10 - 24	3	3
56									
57									
58	25458-G1						POTENTIOMETER ASSEMBLY (INCLUDES ITEMS 59 - 73)	1	1
59	25460-G1						POTENTIOMETER	1	1
60	23275-G1						SUPPORT, MICRO SWITCH	1	1
61	00526-G1						NUT, #8 - 32	1	1
62	00567-G4						WASHER, LOCK, EXTERNAL TOOTH, #8	1	1
63	00559-G4						WASHER, #8	6	6
64	00955-G1						STANDOFF	1	1
65	00565-G3						WASHER, LOCK #6	2	2
66	00525-G5						NUT, #6 - 32	2	2
67	00138-G8						SCREW, #6 - 32 X 1 LG.	2	2
68	10606-G5						MICRO SWITCH	1	1

SOLID STATE SPEED CONTROL (ESC)

ELECTRIC POWERED TRUCK

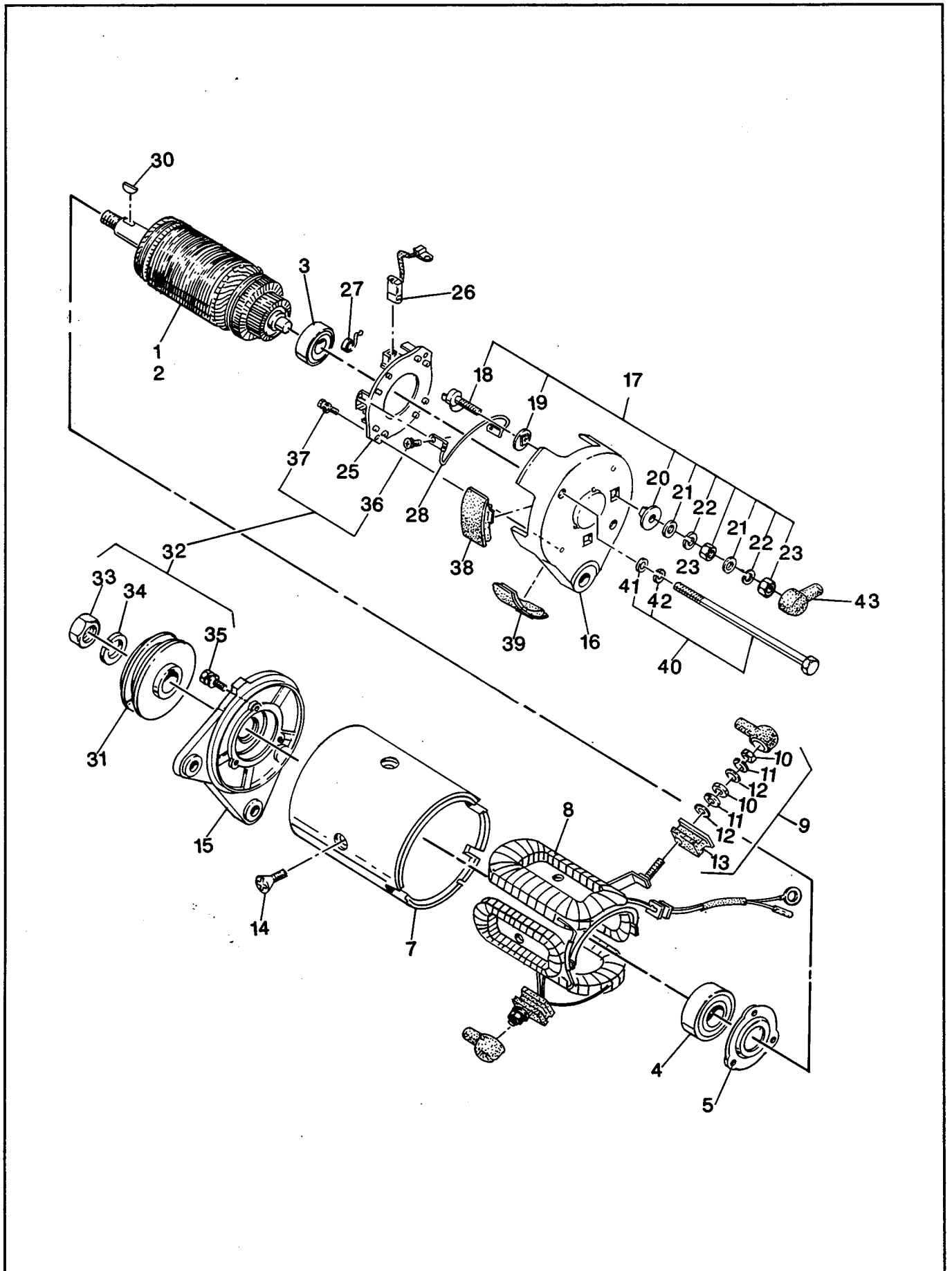
THE USE OF NON U.L. PARTS WILL VOID ANY U.L. LISTING.

When ordering parts, please specify the model and serial number of the product.

* Indicates a component that is not available as an individual part.

3 WHEEL	4 WHEEL
---------	---------

ITEM	PART NO.						DESCRIPTION	QTY	
		1	2	3	4	5		3 WHEEL	4 WHEEL
69	00567-G3						WASHER, LOCK, EXTERNAL TOOTH #6	2	2
70	13514-G1						SCREW, BRASS, #6 - 32 X 7/32 LG.	2	2
71	14628-G1						FASTON, TAB	1	1
72	23975-G1						WIRE(ORANGE)	1	1
73	24019-G2						WIRE, (BLUE)	1	1
74	17064-G1						TERMINAL, PUSH ON	3	3
75	17618-G1						CLAMP, NYLON	1	1
76									
77									
78	23723-G2						COVER, ESC	1	1
79	16469-G1						WASHER, FENDER	1	1
80	00106-G6						SCREW, #12 - 24 X 3/4 LG.	1	1



STARTER/GENERATOR

GASOLINE POWERED TRUCK

THE USE OF NON U.L. PARTS WILL VOID ANY U.L. LISTING.

When ordering parts, please specify the model and serial number of the product.

* Indicates a component that is not available as an individual part.

ITEM	PART NO.	1	2	3	4	5	DESCRIPTION	3 WHEEL	4 WHEEL
								QTY	QTY
1	25533-G2						STARTER/GENERATOR ASSEMBLY (INCLUDES ITEMS 2 - 42)		1
2	26870-G01						ARMATURE ASSEMBLY (INCLUDES ITEMS 3 - 5)		1
3	26871-G01						BALL BEARING, REAR		1
4	26872-G01						BALL BEARING, FRONT		1
5	26873-G01						HOLDER, BEARING		1
6									
7	26874-G01						COIL, FRAME AND FIELD ASSEMBLY (INCLUDES ITEMS 8 - 14) ...		1
8	26875-G01						COIL, FIELD		1
9	26876-G01						BRUSH "F", INSULATING ASSEMBLY (INCLUDES ITEMS 10 - 14)		2
10	*						NUT		2
11	*						WASHER, LOCK		2
12	*						WASHER		2
13	*						INSULATOR		1
14	26877-G01						SCREW, POLE CORE SET		4
15	26878-G01						COVER, FRONT		1
16	26879-G01						COVER, REAR		1
17	26880-G01						TERMINAL, "A", ASSEMBLY (INCLUDES ITEMS 18 - 23)		2
18	*						TERMINAL		2
19	*						INSULATOR		2
20	*						INSULATOR		2
21	*						WASHER		4
22	*						WASHER, LOCK		4
23	*						NUT		4
24									
25	26881-G01						HOLDER, BRUSH, ASSEMBLY (INCLUDES ITEMS 26 - 28)		1
26	26658-G01						BRUSH		4
27	26882-G01						SPRING, BRUSH		4
28	26883-G01						CONNECTOR, BRUSH		2
29									
30	26884-G01						KEY		1
31	26885-G01						PULLEY		1
32	26886-G01						PULLEY ASSEMBLY (INCLUDES ITEMS 33 - 37)		1
33	*						NUT		1
34	*						WASHER, LOCK		1

STARTER/GENERATOR

GASOLINE POWERED TRUCK

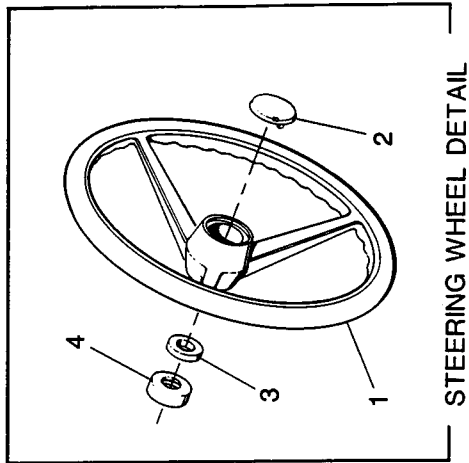
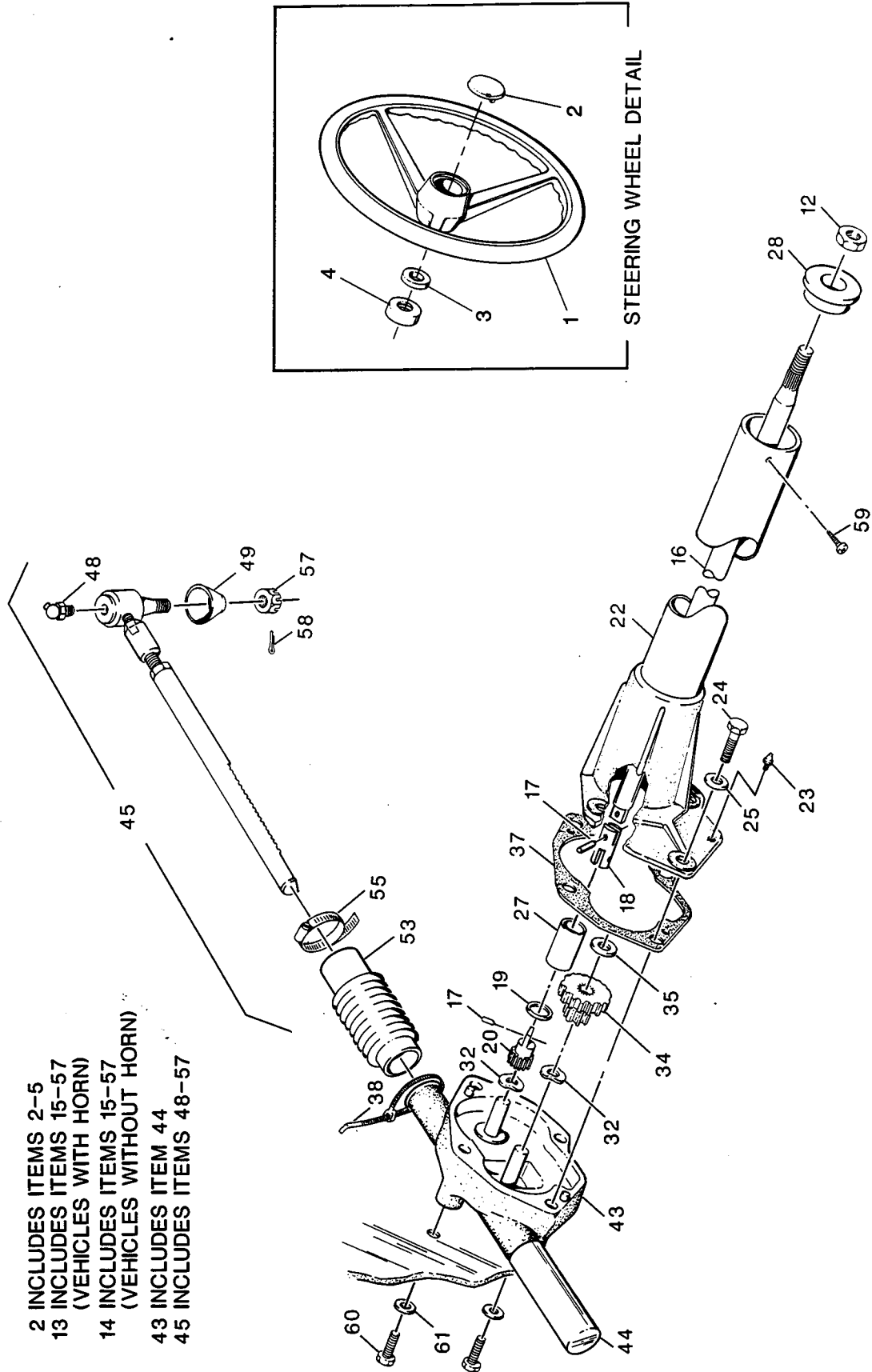
THE USE OF NON U.L. PARTS WILL VOID ANY U.L. LISTING.

When ordering parts, please specify the model and serial number of the product.

* Indicates a component that is not available as an individual part.

3 WHEEL	4 WHEEL
---------	---------

ITEM	PART NO.	1	2	3	4	5	DESCRIPTION	QTY	
								3 WHEEL	4 WHEEL
35	*						SCREW		3
36	*						SCREW		4
37	*						SCREW		2
38	26887-G01						COVER, BRUSH, 1		3
39	26888-G01						COVER, BRUSH, 2		1
40	26889-G01						BOLT, (INCLUDES ITEMS 41 AND 42)		2
41	*						WASHER		2
42	*						WASHER, LOCK		2
43	26889-G01						COVER, TERMINAL		4



STEERING

ELECTRIC/GASOLINE POWERED TRUCK

THE USE OF NON U.L. PARTS WILL VOID ANY U.L. LISTING.

When ordering parts, please specify the model and serial number of the product.

* Indicates a component that is not available as an individual part.

ITEM	PART NO.	1	2	3	4	5	DESCRIPTION	QTY	
								3 WHEEL	4 WHEEL
1	16565-G1						WHEEL, STEERING	1	1
2	18422-G1						INSERT, STEERING WHEEL	1	1
3	16772-G1						SEAL, STEERING SHAFT	1	1
4	27055-G01						COVER, DUST	1	1
5									
6									
7									
8									
9									
10									
11									
12	14390-G2						NUT, LOCK, 5/8 - 18	1	1
13	19152-G6						STEERING UNIT ASSEMBLY, (INCLUDES ITEMS 15 - 57)	1	1
14									
15	17163-G1						STEERING, SHAFT ASSEMBLY (INCLUDES ITEMS 16 - 20)	1	1
16	*						SHAFT, STEERING	1	1
17	*						PIN, DOWEL, 1/4	2	2
18	*						COUPLING	1	1
19	*						WASHER, THRUST	1	1
20	*						PINION, STEERING	1	1
21									
22	19153-G4						STEERING COLUMN	1	1
23	*						GREASE FITTING	1	1
24	00444-G8						SCREW, 5/16 - 24 X 1 LG.	4	4
25	00565-G8						WASHER, LOCK, 5/16	4	4
26									
27	17140-G1						SLEEVE	1	1
28	17161-G1						BUSHING AND SEAL	1	1
29									
30									
31									
32	51294-G1						WASHER, WAVE TYPE, SPRING	2	2
33									
34	23279-G1						GEAR, REDUCTION	1	1

STEERING

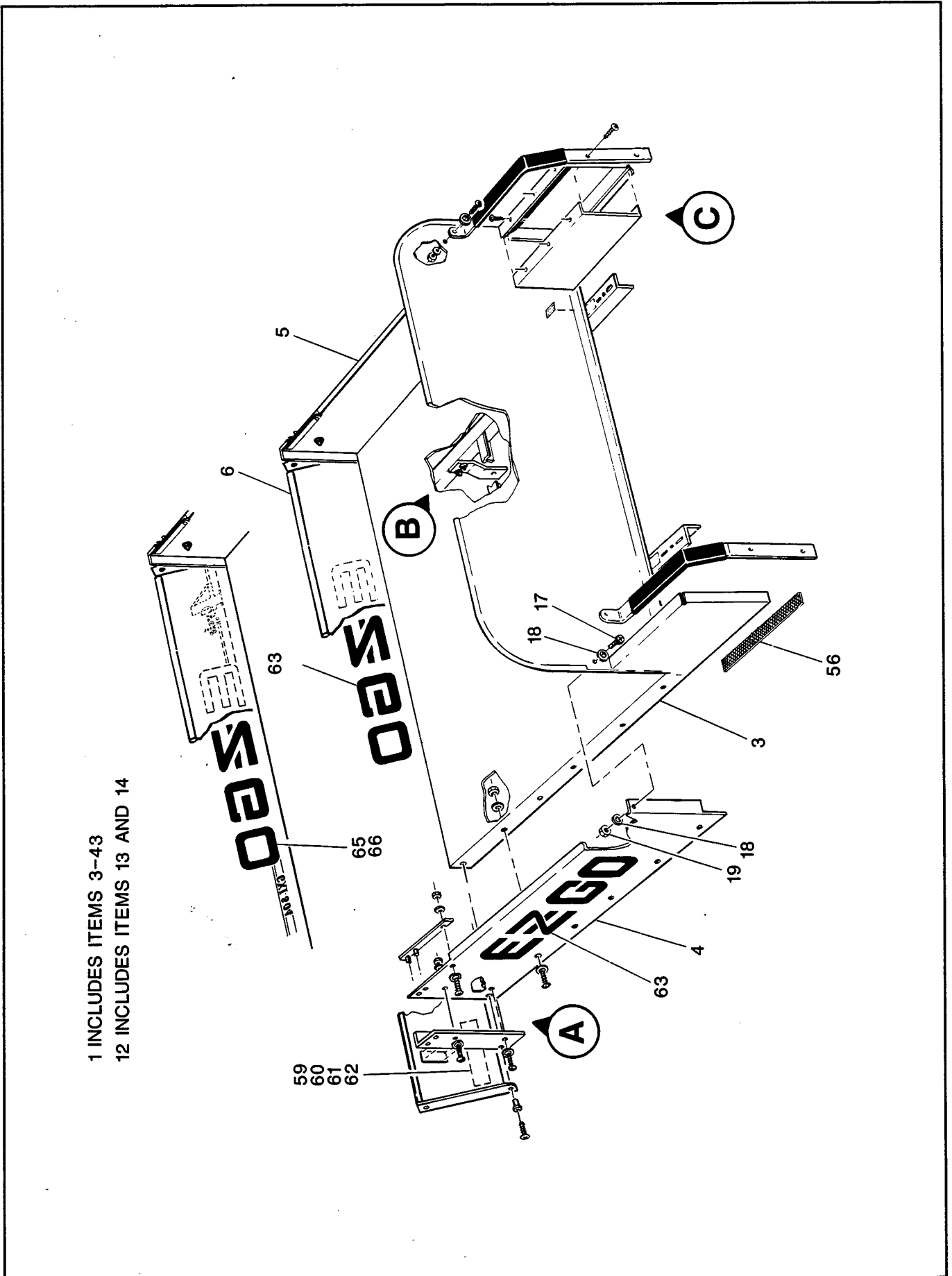
ELECTRIC/GASOLINE POWERED TRUCK

THE USE OF NON U.L. PARTS WILL VOID ANY U.L. LISTING.

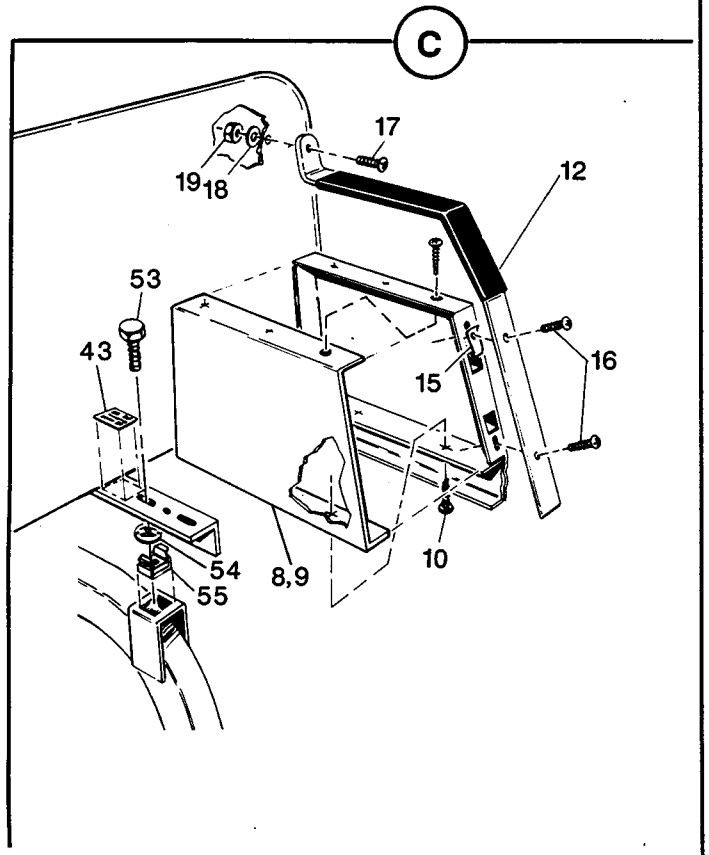
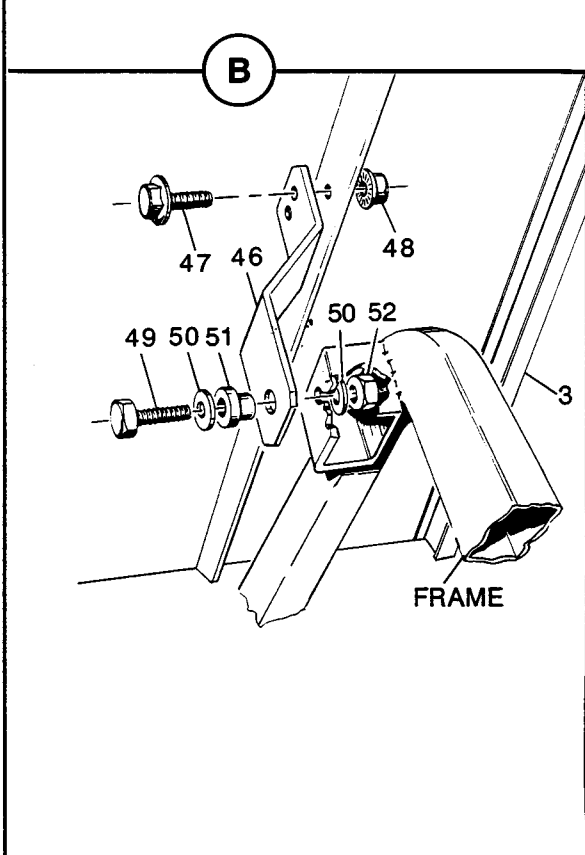
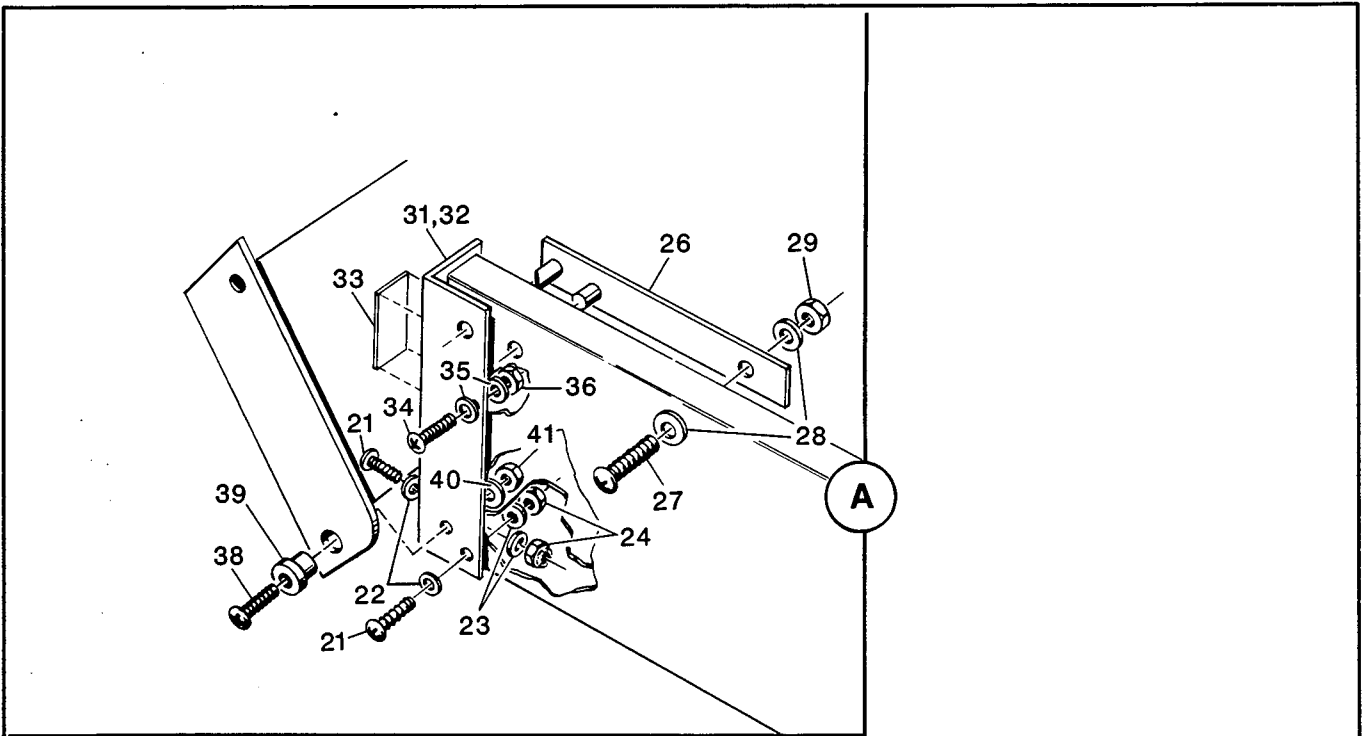
When ordering parts, please specify the model and serial number of the product.

* Indicates a component that is not available as an individual part.

ITEM	PART NO.	1	2	3	4	5	DESCRIPTION	QTY	
								3 WHEEL	4 WHEEL
35	13059-G2						WASHER, THRUST	1	1
36									
37	19154-G1						GASKET, HOUSING	1	1
38	17618-G1						CLAMP, NYLON	1	1
39									
40									
41									
42									
43	13097-G1						HOUSING ASSEMBLY (INCLUDES ITEM 44)	1	1
44	13570-G2						COVER, RACK	1	1
45	15407-G1						RACK AND ROD ASSEMBLY (INCLUDES ITEMS 48 - 57)	1	1
46									
47									
48	18456-G1						GREASE FITTING 90°	1	1
49	50641-G1						RUBBER BOOT, TIE ROD END	1	1
50									
51									
52									
53	17617-G1						BELLOWS	1	1
54									
55	11391-G1						CLAMP, HOSE	1	1
56									
57	50209-G1						NUT, SLOTTED, 7/16 - 20	1	1
58	10387-G2						COTTER PIN, 3/16 X 1 LG.	1	1
59	00118-G2						SCREW, SELF-TAPPING, #6 - 18 X 1/4 LG.	1	1
60	00276-G6						SCREW, 5/16 - 24 X 5/8 LG.	3	3
61	00565-G8						WASHER, LOCK, 5/16	3	3



1 INCLUDES ITEMS 3-43
12 INCLUDES ITEMS 13 AND 14



TRUCKBED

ELECTRIC/GASOLINE POWERED TRUCK

THE USE OF NON U.L. PARTS WILL VOID ANY U.L. LISTING.

When ordering parts, please specify the model and serial number of the product.

* Indicates a component that is not available as an individual part.

ITEM	PART NO.	1	2	3	4	5	DESCRIPTION	3 WHEEL	4 WHEEL
								QTY	QTY
1	18218-G5						TRUCKBED ASSEMBLY (INCLUDES ITEMS 3 - 43)	1	1
2									
3	18205-G3						FLATBED	1	1
4	18198-G1						PANEL, SIDE, TRUCKBED (PASSENGER SIDE)	1	1
5	18198-G2						PANEL, SIDE, TRUCKBED (DRIVER'S SIDE)	1	1
6	18477-G4						TAILGATE	1	1
7									
8	18484-G3						PANEL, SEAT (PASSENGER SIDE)	1	1
9	18484-G4						PANEL, SEAT (DRIVER'S SIDE)	1	1
10	18449-G1						SCREW, SELF-DRILLING AND TAPPING, STAINLESS STEEL, #8 - 32 X 1/2 LG	10	10
11									
12	19776-G1						RESTRAINT, HIP HANDHOLD	2	2
13									
14									
15	14776-G1						NUT, "J", 1/4 - 20	4	4
16	16705-G1						SCREW, STAINLESS STEEL, 1/4 - 20 X 1 LG	4	4
17	16705-G3						SCREW, STAINLESS STEEL, 1/4 - 20 X 3/4 LG	4	4
18	00915-G1						WASHER, BONDED SEAL	6	6
19	14390-G4						NUT, LOCK, 1/4 - 20	2	2
20									
21	16705-G1						SCREW, STAINLESS STEEL, 1/4 - 20 X 1 LG	12	12
22	00915-G1						WASHER, BONDED SEAL	12	12
23	00559-G7						WASHER, 1/4	12	12
24	14390-G4						NUT, LOCK, 1/4 - 20	12	12
25									
26	18621-G1						LATCH, TAILGATE	2	2
27	16705-G3						SCREW, STAINLESS STEEL, 1/4 - 20 X 3/4 LG	2	2
28	00915-G1						WASHER, BONDED SEAL	2	2
29	14390-G4						NUT, LOCK, 1/4 - 20	2	2
30									
31	18470-G3						BRACKET, TAILGATE (PASSENGER SIDE)	1	1
32	18470-G4						BRACKET, TAILGATE (DRIVER'S SIDE)	1	1
33	14465-G1						STRIP, SUPPRESSOR	3	3
34	16705-G2						SCREW, STAINLESS STEEL, 1/4 - 20 X 5/8 LG	2	2

TRUCKBED

ELECTRIC/GASOLINE POWERED TRUCK

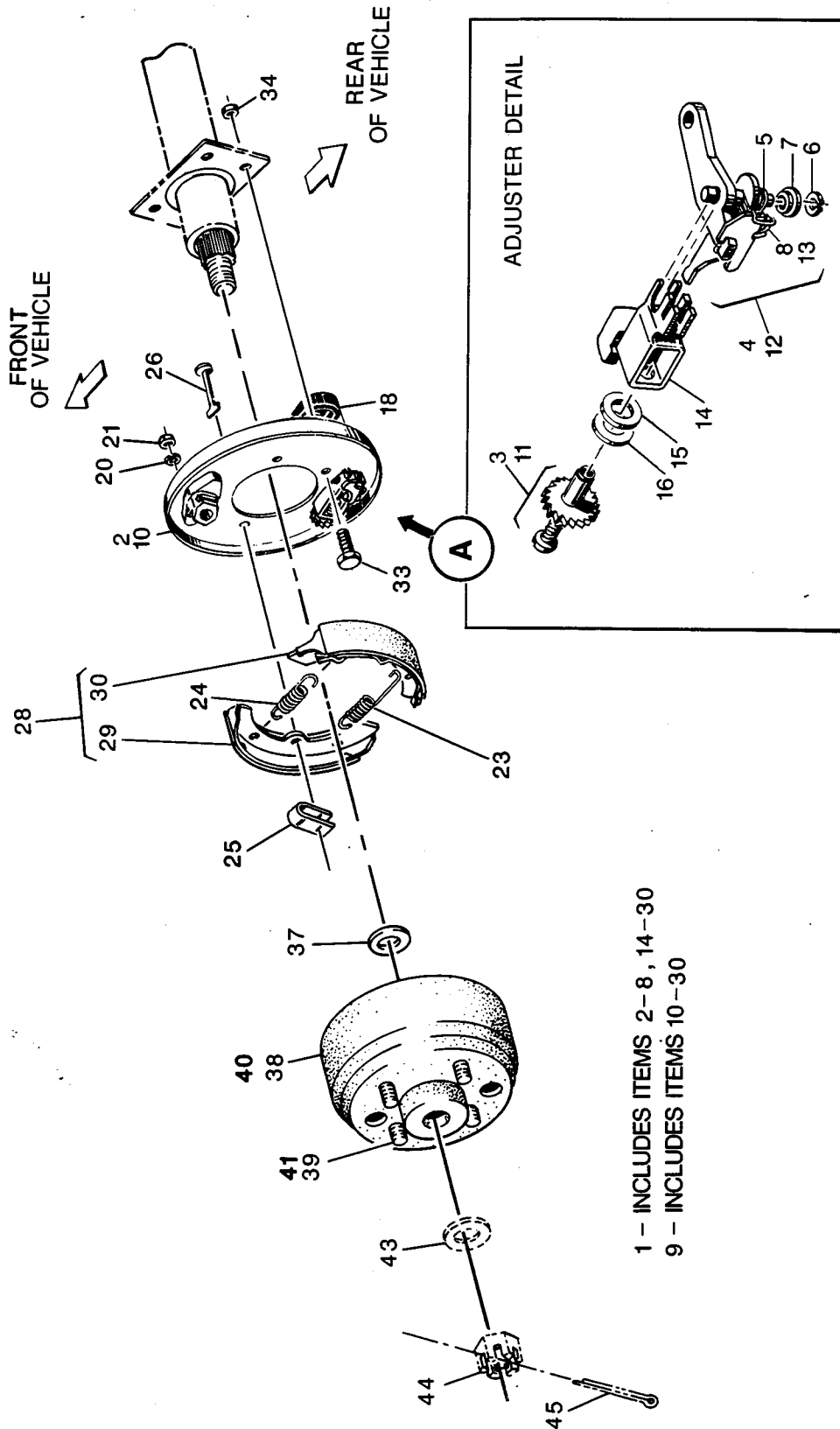
THE USE OF NON U.L. PARTS WILL VOID ANY U.L. LISTING.

When ordering parts, please specify the model and serial number of the product.

*** Indicates a component that is not available as an individual part.**

ITEM	PART NO.	1	2	3	4	5	DESCRIPTION	QTY	
								3 WHEEL	4 WHEEL
35	00915-G1						WASHER, BONDED SEAL	4	4
36	14390-G4						NUT, LOCK, 1/4 - 20	2	2
37									
38	16705-G9						SCREW, STAINLESS STEEL, 1/4 - 20 X 1 1/4	2	2
39	18478-G1						BUSHING, TAILGATE	2	2
40	00559-G7						WASHER, 1/4	2	2
41	14390-G4						NUT, LOCK, 1/4 - 20	2	2
42									
43	18462-G1						LABEL, WARNING	2	2
44									
45									
46	18159-G1						BRACKET, BED PIVOT	2	2
47	13437-G4						SCREW, STAINLESS STEEL, 3/8 - 16 X 1 LG	4	4
48	11027-G5						NUT, LOCK, 3/8 - 16	4	4
49	00665-G7						SCREW, STAINLESS STEEL, 3/8 - 16 X 1 1/4 LG	2	2
50	00653-G1						WASHER, STAINLESS STEEL, 3/8	4	4
51	18220-G1						BUSHING, PIVOT	2	2
52	00891-G5						NUT, LOCK, 3/8 - 16	2	2
53	13437-G4						SCREW, LOCK, 5/16 - 18 X 1 LG	2	2
54	18315-G1						FASTENER, LOCKING, 5/16	2	2
55	11840-G1						NUT, SPEED GRIP, 5/16 - 18	2	2
56	14382-G1						STRIP, NOISE SUPPRESSOR	4	4
57									
58									
59	19567-G1						DECAL, XT-300	-	1
60	19565-G1						DECAL, XT-500	1	-
61	19824-G2						DECAL, XI-300	-	1
62	19828-G2						DECAL, XI-500	1	-
63	19818-G1						DECAL, E-Z-GO (WHITE)	2	2
64	26516-G01						DECAL, E-Z-GO 4-CYCLE GXI	-	1
65	26518-G01						DECAL, E-Z-GO, 4-CYCLE GXT	-	1

SELF-ADJUSTING BRAKES
(DRIVER'S SIDE SHOWN)



- 1 - INCLUDES ITEMS 2-8, 14-30
- 9 - INCLUDES ITEMS 10-30

WHEEL BRAKE

ELECTRIC/GASOLINE POWERED TRUCK

THE USE OF NON U.L. PARTS WILL VOID ANY U.L. LISTING.

When ordering parts, please specify the model and serial number of the product.

* Indicates a component that is not available as an individual part.

ITEM	PART NO.	1	2	3	4	5	DESCRIPTION	QTY	
								3 WHEEL	4 WHEEL
1	22997-G2						BRAKE ASSEMBLY, PASSENGER SIDE (INCLUDES ITEMS 2 - 8, 14 - 30)	1	1
2	22518-G1						BACKING PLATE, PASSENGER SIDE	1	1
3	23360-G1						ADJUSTER, PASSENGER SIDE	1	1
4	23357-G1						LEVER ASSEMBLY, PASSENGER SIDE (INCLUDES ITEMS 5 - 8)	1	1
5	*						SPRING	1	1
6	*						RETAINER	1	1
7	*						WASHER, SHOULDER	1	1
8	23536-G1						SPRING, TORSION, PASSENGER SIDE	1	1
9	22997-G1						BRAKE ASSEMBLY, DRIVER'S SIDE (INCLUDES ITEMS 10 - 30)	1	1
10	22519-G1						BACKING PLATE, DRIVER'S SIDE	1	1
11	23361-G1						ADJUSTER, DRIVER'S SIDE	1	1
12	23358-G1						LEVER ASSEMBLY, DRIVER'S SIDE (INCLUDES ITEMS 5 - 7 AND 13)	1	1
13	23537-G1						SPRING, TORSION, DRIVER'S SIDE	1	1
14	23363-G1						ADJUSTER BODY	1	1
15	23382-G1						WASHER	1	1
16	23362-G1						WASHER, THRUST	1	1
17									
18	22519-G1						DUST COVER	1	1
19	23356-G1						ANCHOR BLOCK	1	1
20	00565-G1						WASHER, LOCK, 1/4	2	2
21	13632-G1						NUT, 6 mm	2	2
22									
23	23359-G1						SPRING, BRAKE, ADJUSTER	1	1
24	17290-G1						SPRING, BRAKE, ANCHOR	1	1
25	17291-G1						SPRING, SHOE, CLAMP	2	2
26	17292-G1						PIN, TENSION	2	2
27									
28	23364-G1						BRAKE SHOE SET (INCLUDES ITEMS 29 AND 30)	1	1
29	*						BRAKE SHOE, LEADING	1	1
30	*						BRAKE SHOE, TRAILING	1	1
31									
32									
33	17083-G1						BOLT, 5/16 - 24 X 3/4 LG.	8	8

WHEEL BRAKE

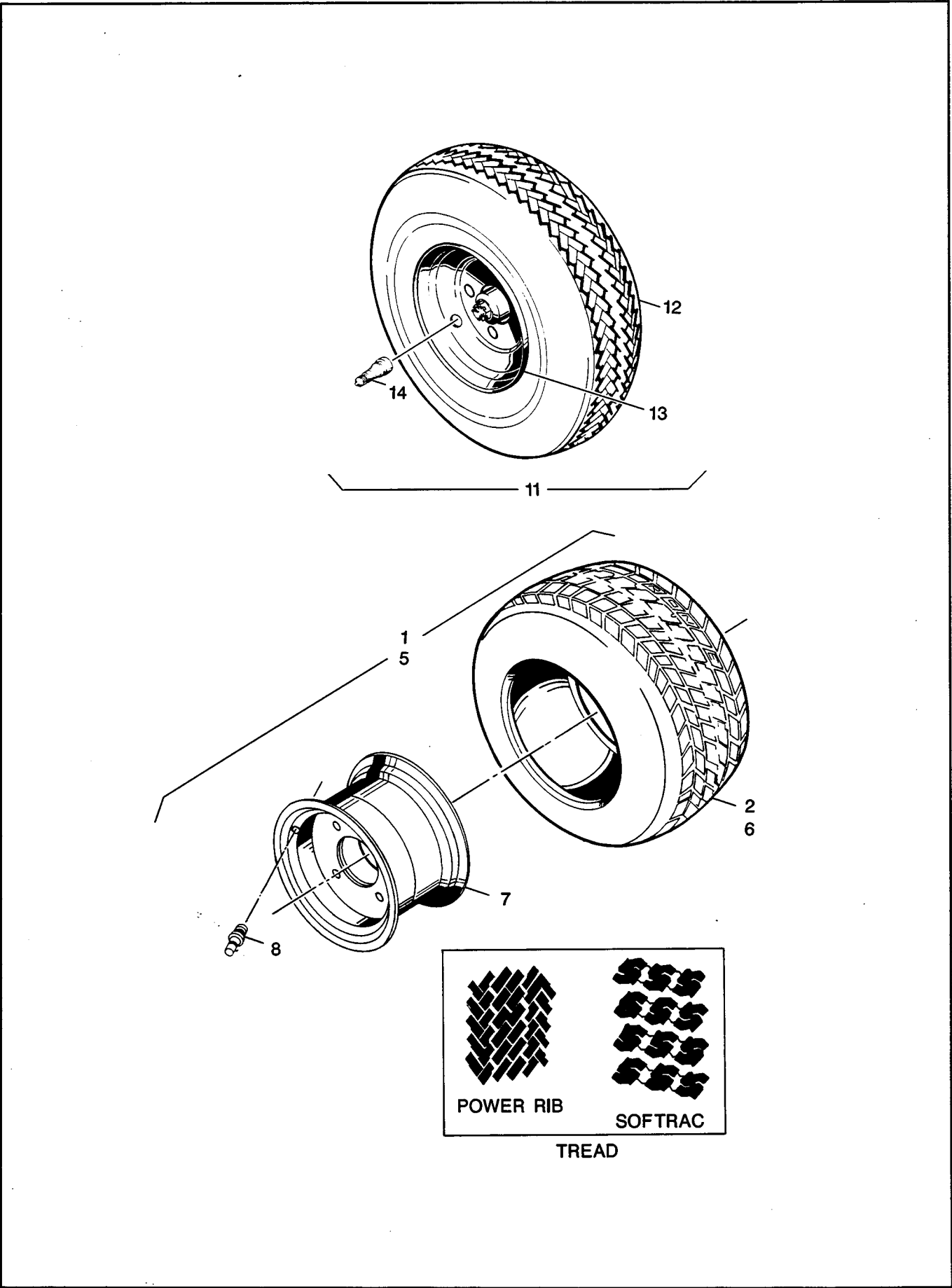
ELECTRIC/GASOLINE POWERED TRUCK

THE USE OF NON U.L. PARTS WILL VOID ANY U.L. LISTING.

When ordering parts, please specify the model and serial number of the product.

* Indicates a component that is not available as an individual part.

ITEM	PART NO.	1	2	3	4	5	DESCRIPTION	3 WHEEL	4 WHEEL
								QTY	QTY
34	15126-G1						NUT, LOCK, 5/16 - 24	8	8
35									
36									
37	15485-G1						WASHER, 5/164	2	2
38	19186-G1						BRAKE DRUM ASSEMBLY (INCLUDES ITEM 39)	2	2
39	19862-G1						LUG BOLT, 1/2 - 20 X 1 7/32 LG.	4	4
40	21807-G1						BRAKE DRUM ASSEMBLY, 4-CYCLE (INCLUDES ITEM 41)	2	2
41	19862-G1						LUG BOLT, 1/2 - 20 X 1 7/32 LG.	4	4
42									
43	XXXXX-XX						WASHER (SEE SECTION X FOR PART NUMBER AND QUANTITY)		
44	XXXXX-XX						NUT, SLOTTED (SEE SECTION X FOR PART NUMBER AND QUANTITY)		
45	XXXXX-XX						COTTER PIN (SEE SECTION X FOR PART NUMBER AND QUANTITY)		



WHEELS AND TIRES

ELECTRIC/GASOLINE POWERED TRUCK

THE USE OF NON U.L. PARTS WILL VOID ANY U.L. LISTING.

When ordering parts, please specify the model and serial number of the product.

* Indicates a component that is not available as an individual part.

ITEM	PART NO.	1	2	3	4	5	DESCRIPTION	3 WHEEL	4 WHEEL
								QTY	
1	14697-G2						18 X 8.50 X 8 TIRE AND WHEEL RIM ASSEMBLY, SOFTRAC, TURF VEHICLE (INCLUDES ITEMS 2 AND 7-8)	AR	AR
2	14697-G1						18 X 8.50 X 8 TIRE, SOFTRAC	AR	AR
3									
4									
5	14728-G2						18 X 8.50 X 8 TIRE AND WHEEL RIM ASSEMBLY, POWER RIB TURF VEHICLE (INCLUDES ITEMS 6-8)	AR	AR
6	14728-G1						18 X 8.50 X 8 TIRE, POWER RIB	AR	AR
7	15169-G1						WHEEL RIM, 1 PIECE 8.50/9.50 X 8, STANDARD	AR	AR
8	11657-G1						VALVE STEM	AR	AR
9									
10									
11	19352-G2						18 X 5.70 X 8 TIRE AND WHEEL ASSEMBLY, INDUSTRIAL VEHICLE (INCLUDES ITEMS 12-14)	AR	AR
12	11933-G1						18 X 5.70 X 8 TIRE	AR	AR
13	19350-G1						WHEEL RIM, 1 PIECE 5.70 X 8	AR	AR
14	11657-G1						VALVE STEM	AR	AR

APPENDIX
SERVICE ACCESSORIES AND SPECIAL TOOLS

SERVICE ACCESSORIES AND SPECIAL TOOLS

ELECTRIC/GASOLINE POWERED TRUCK

SPECIAL TOOLS (GASOLINE VEHICLE)

PART NO.

CURRENT INDICATOR	16489-G2
PULLER, DRIVE CLUTCH	19779-G2
PULLER, FAN HUB	27111-G01
TOOL KIT, METRIC (INCLUDES CLUTCH PULLER)	14708-G2
VOLT OHM METER (VOM)	51020-G2

SPECIAL TOOLS (ELECTRIC VEHICLE)

PART NO.

CURRENT INDICATOR	16489-G2
MULTI-METER (OHM METER)	51020-G2
SEAL INSTALLATION TOOL (REAR AXLE SHAFT SEAL)	18739-G1
SLIDE HAMMER KIT (AXLE PULLER)	18753-G1

PAINT

CONTACT CUSTOMER REPRESENTATIVE FOR COLOR SPECIFICATIONS AND PART NUMBERS



E-Z-GO Division of Textron Inc.
P.O. Box 388 Augusta, Georgia 30903-0388
Telephone 1-800-241-5855

Copyrighted material.
This manual may not be reproduced in whole or
in part without the express permission of
E-Z-GO Division of Textron Inc.
Technical Communications Department