



A Textron Company

RXV Shuttle 2+2

Service Parts Manual

689390 - B
ISSUED MAY 2019

REVISED AUGUST 2019

SERVICE PARTS MANUAL

GASOLINE EFI POWERED GOLF CAR

RXV SHUTTLE 2+2

STARTING MID-MODEL YEAR 2019

Never modify the vehicle in any way that will alter the weight distribution of the vehicle, decrease its stability or increase the speed beyond the factory specifications. Such modifications can cause serious personal injury or death. Textron Specialized Vehicles prohibits and dis-claims responsibility for any such modifications or any other alteration which would adversely affect the safety of the vehicle. TSV reserves the right to incorporate engineering and design changes to products in this manual, without obligation to include these changes on units sold previously.

The information contained in this manual may be revised periodically by TSV, and therefore is subject to change without notice. TSV DISCLAIMS LIABILITY FOR ERRORS IN THIS MANUAL, and SPECIFICALLY DISCLAIMS LIABILITY FOR INCIDENTAL AND CONSEQUENTIAL DAMAGES resulting from the use of the information and materials in this manual. These are the original instructions as defined by 2006/42/EC.

TO CONTACT US:

Textron Specialized Vehicles, Inc.
1451 Marvin Griffin Road
Augusta, Georgia, USA 30906-3852

NORTH AMERICA:

Technical Assistance & Warranty PHONE: 1-800-774-3946, FAX: 1-800-448-8124

Service Parts PHONE: 1-888-438-3946, FAX: 1-800-752-6175

International: PHONE: 001-706-798-4311, FAX: 001-706-771-4609

GENERAL INFORMATION

To obtain a copy of the limited warranty applicable to the vehicle, call or write a local Distributor, authorized Branch or the Warranty Department with vehicle serial number and manufacturer code.

The use of non Original Equipment Manufacturer (OEM) approved parts may void the warranty.

Tampering with or adjusting the governor to permit vehicle to operate at above factory specifications will void the vehicle warranty.

When servicing engines, all adjustments and replacement components must be per original vehicle specifications in order to maintain the United States of America Federal and State emission certification applicable at the time of manufacture.

BATTERY PROLONGED STORAGE

All batteries will self discharge over time. The rate of self discharge varies depending on the ambient temperature and the age and condition of the batteries.

A fully charged battery will not freeze in winter temperatures unless the temperature falls below -75° F (-60° C).

BATTERY DISPOSAL

Lead-acid batteries are recyclable. Return whole scrap batteries to distributor, manufacturer or lead smelter for recycling. For neutralized spills, place residue in acid-resistant containers with absorbent material, sand or earth and dispose of in accordance with local, state and federal regulations for acid and lead compounds. Contact local and/or state environmental officials regarding disposal information.

TABLE OF CONTENTS

SECTION	Page No.
HOW TO USE THE SERVICE PARTS MANUAL	v
ACCELERATOR	A - 1
AIR FILTER	B - 1
BODY	C - 1
BRAKES	D - 1
CLUTCH	E - 1
DIRECTION SELECTOR	F - 1
ELECTRICAL SYSTEM	G - 1
ENGINE AND MUFFLER	H - 1
ENGINE MOUNTING	J - 1
FRAME	K - 1
FRONT SUSPENSION AND STEERING	L - 1
FUEL SYSTEM	M - 1
REAR AXLE	N - 1
REAR SUSPENSION	P - 1
SEATING	R - 1
STARTER GENERATOR	S - 1
WEATHER PROTECTION	T - 1
WHEELS AND TIRES	U - 1
DECALS AND LABELS	V - 1

HOW TO USE THE SERVICE PARTS MANUAL

This manual is divided into several sections:

- GENERAL INFORMATION
- ILLUSTRATED PARTS BREAKDOWN

The first section, GENERAL INFORMATION, contains the following information:

- WARRANTY INFORMATION
- TABLE OF CONTENT
- HOW TO USE THE SERVICE PARTS MANUAL

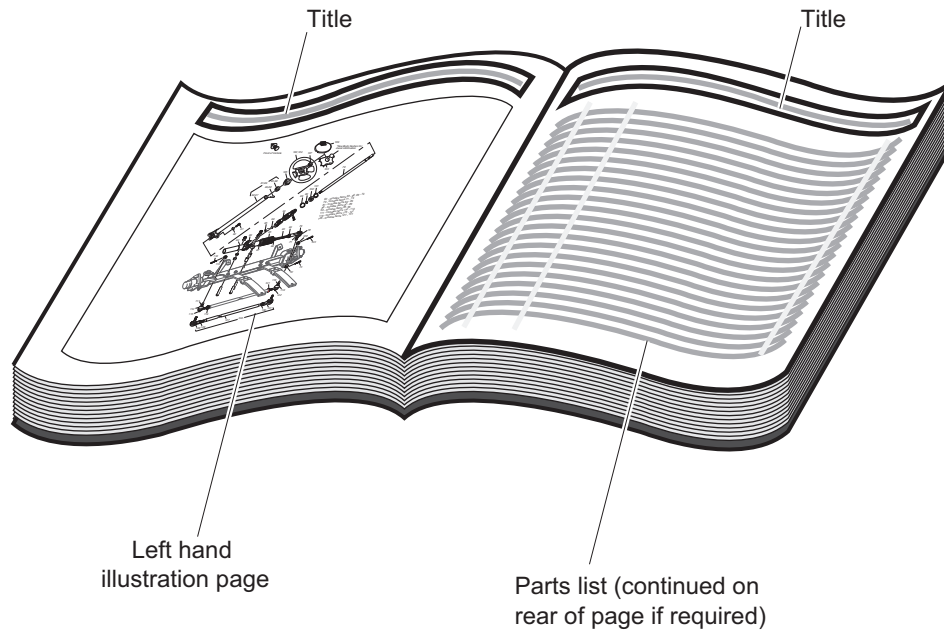
The second section, ILLUSTRATED PARTS BREAKDOWN, contains illustrations and parts lists for all systems of your vehicle.

USE OF THE MANUAL

To use this manual, consult the TABLE OF CONTENTS to locate the information or illustration required.

Introduction of some revisions varies due to supply of components; therefore, it is possible that various combinations of components may be found that are not directly reflected by each illustration. Consult the illustration that best suits your situation and then contact the Service Parts Department. It is important that the serial number or VIN of your vehicle and the model name be supplied to Service Parts when ordering any replacement components.

HOW TO USE THE SERVICE PARTS MANUAL



1. WHEN THE PART NUMBER IS NOT KNOWN

- Determine the function and application of the part required. Turn to the Table of Content and select the most appropriate title.
- Turn to the page number indicated and locate the desired part on the illustration.
- From the illustration, obtain the item number assigned to the desired part. Refer to the accompanying description for specific information regarding the part.

2. IF YOU KNOW THE PART NUMBER

- Locate the part number or description in the appropriate column on the parts list page.

NOTE: It is suggested that you confirm that the part selected is correct by verifying it with the pictorial representation on the illustrated page.

Should an asterisk (*) appear in the part number column on the parts list page, read upwards until a part number is found. The part number is the lowest assembly sold by Service Parts and the asterisk (*) indicates that the part depicted is not available for purchase.

NOTE: Descriptions are indented under the assembly that they are used on. That assembly is, in turn listed under the assembly that it is used on. This process is repeated until the highest final assembly is reached.

To facilitate the maintenance and repair of the vehicle, a Repair and Service Manual is available from the Service Parts Department.

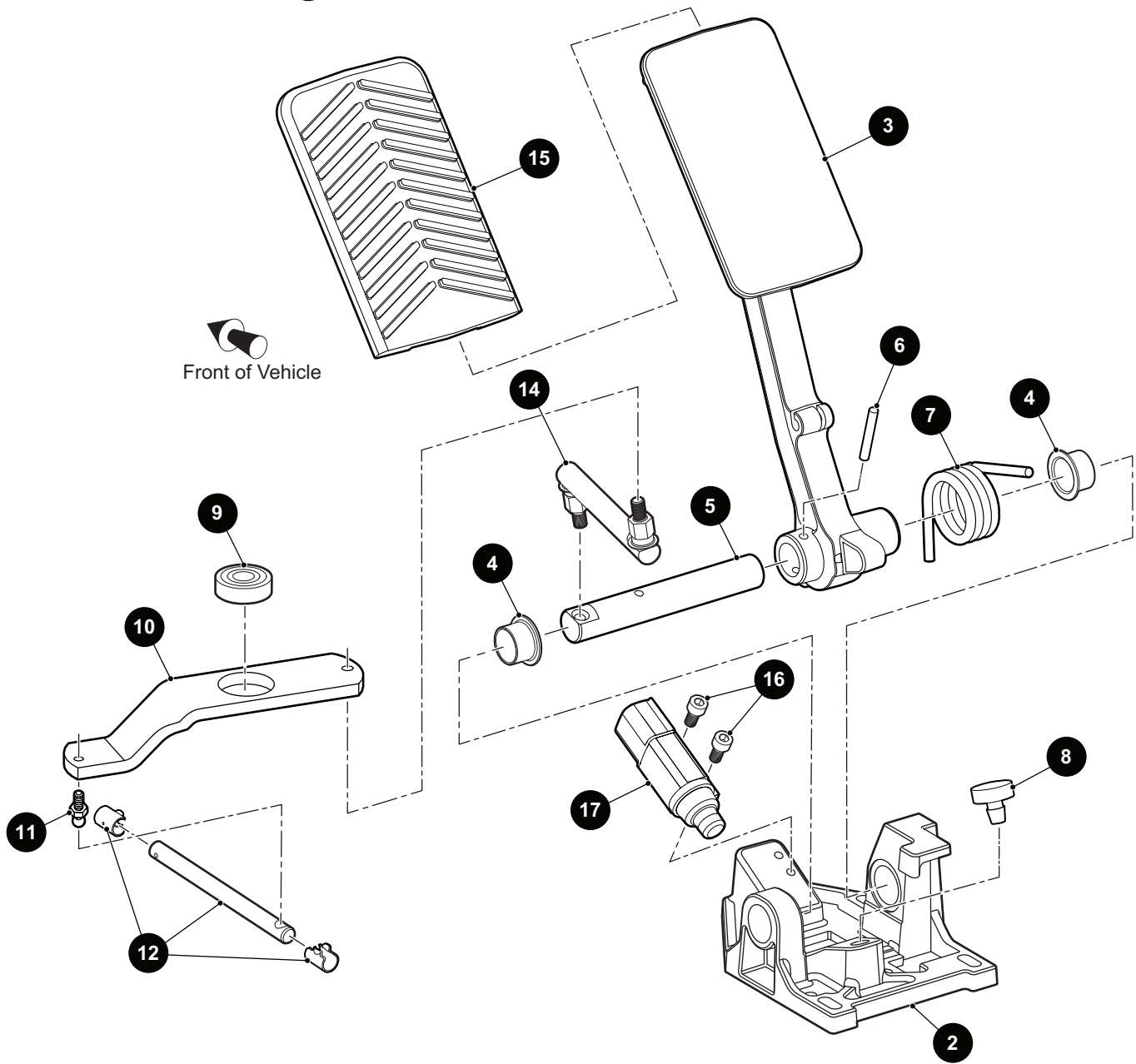
3. COLOR CODE FOR BODY COMPONENTS

The last two digits of the part number for the body part will denote the color code, locate the part number for the cowl, rear body, seat pod, side panel or seat wrap then locate your color in the list below, replace the last ** or XX with the two digit color code.

<u>CODE #</u>	<u>DESCRIPTION</u>
02	SPECIAL COLOR
11	BLACK
19	PATRIOT BLUE PEARL
20	INFERNO RED METALLIC
26	STEEL BLUE PEARL
31	METALLIC CHARCOAL
36	IVORY
37	FOREST GREEN
38	BRIGHT WHITE
39	FLAME RED
41	ELECTRIC BLUE
42	PLATINUM
43	BURGUNDY
44	ALMOND
51	SUNBURST ORANGE
52	BRITISH RACING GREEN
74	BARLEY GOLD
75	OASIS GREEN
76	JAVA BROWN

ACCELERATOR

1 Accelerator Pedal Assembly includes items 2 - 17



THE USE OF NON U.L. PARTS WILL VOID ANY U.L. LISTING.

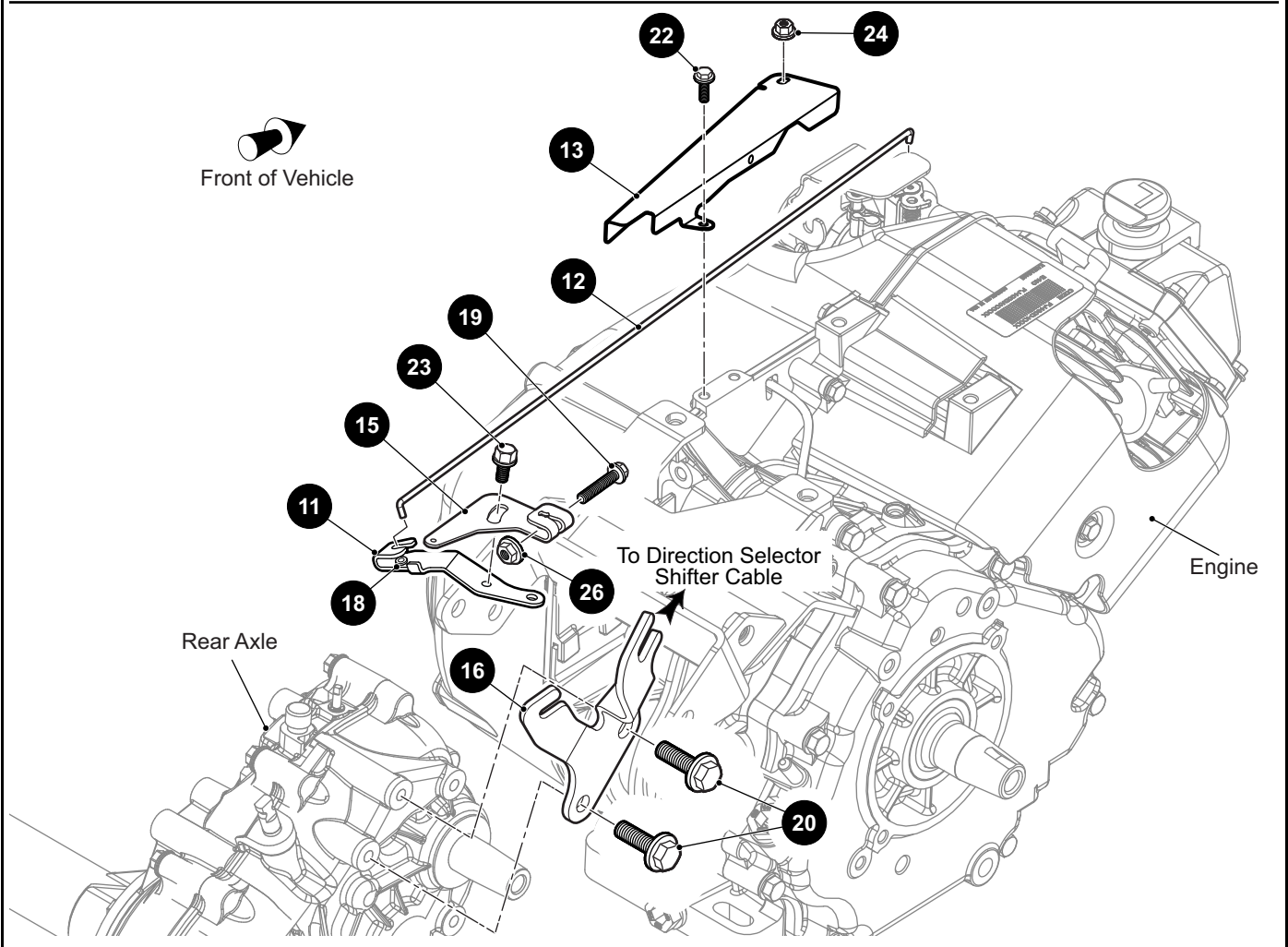
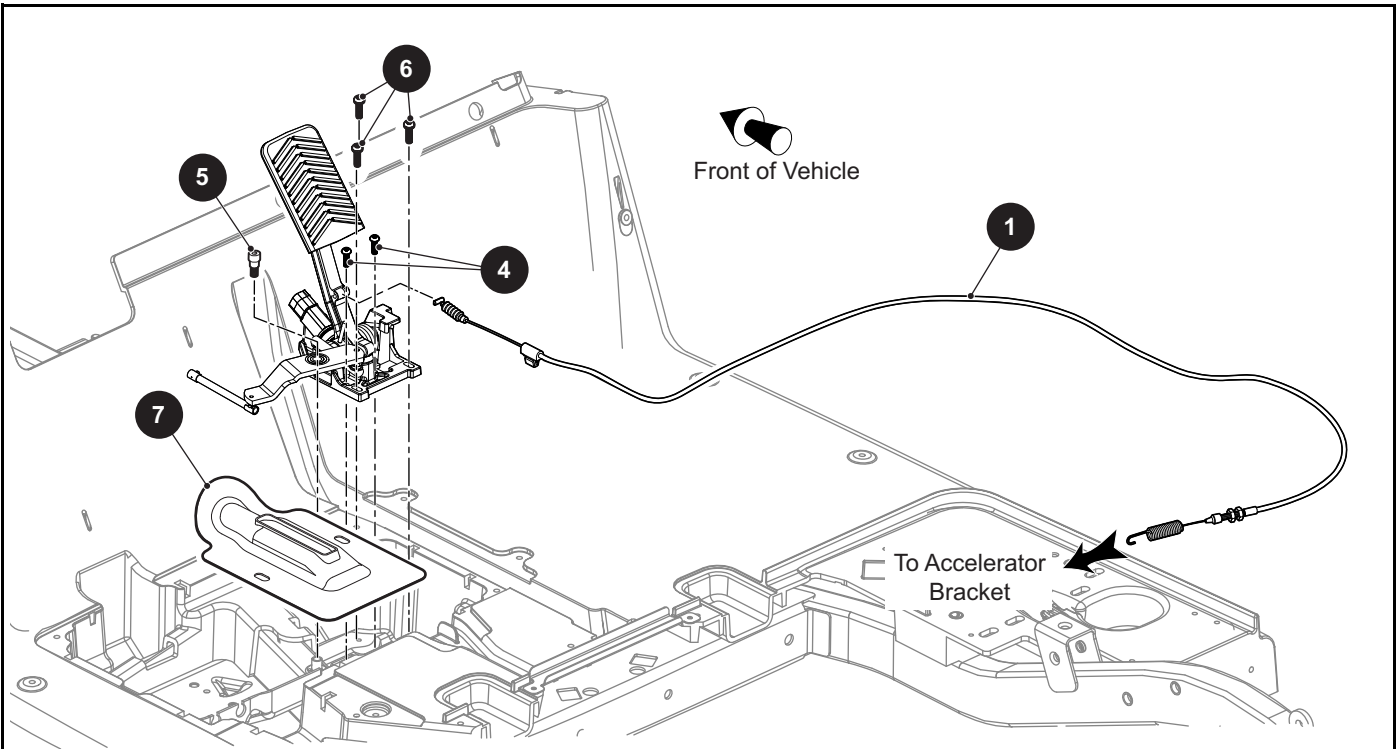
When ordering parts, please specify the model and serial number of the product.

* Indicates a component that is not available as an individual part.

*** Indicates consult Customer Service Department for additional information.

ITEM	PART NO.	1 2 3 4 5	DESCRIPTION	QTY.
1	653202		Accelerator Pedal Assembly (Includes Items 2 - 17).....	1
2	*		Pedal Bracket	1
3	*		Pedal	1
4	*		Flanged Bushing, 16mm x 12mm	2
5	*		Pivot Shaft, 16mm	1
6	600683		Spirol Pin (Heavy Duty), 4mm x 26mm	1
7	*		Torsion Spring, 4.5mm Dia	1
8	604097		Rebound Bumper	1
9	603808		Ball Bearing	1
10	600702		Bell crank Arm	1
11	604475		Ball Stud, 6mm Dia.....	1
12	668945		Linkage Rod Saddle Clip Assembly.....	1
13				
14	603816		Ball Joint Rod Assembly	1
15	610529		Pedal Cover	1
16	620030		Socket Head Bolt, M5 - .8 x 15mm Lg.....	2
17	612889		Pedal Switch.....	1

ACCELERATOR



THE USE OF NON U.L. PARTS WILL VOID ANY U.L. LISTING.

When ordering parts, please specify the model and serial number of the product.

* Indicates a component that is not available as an individual part.

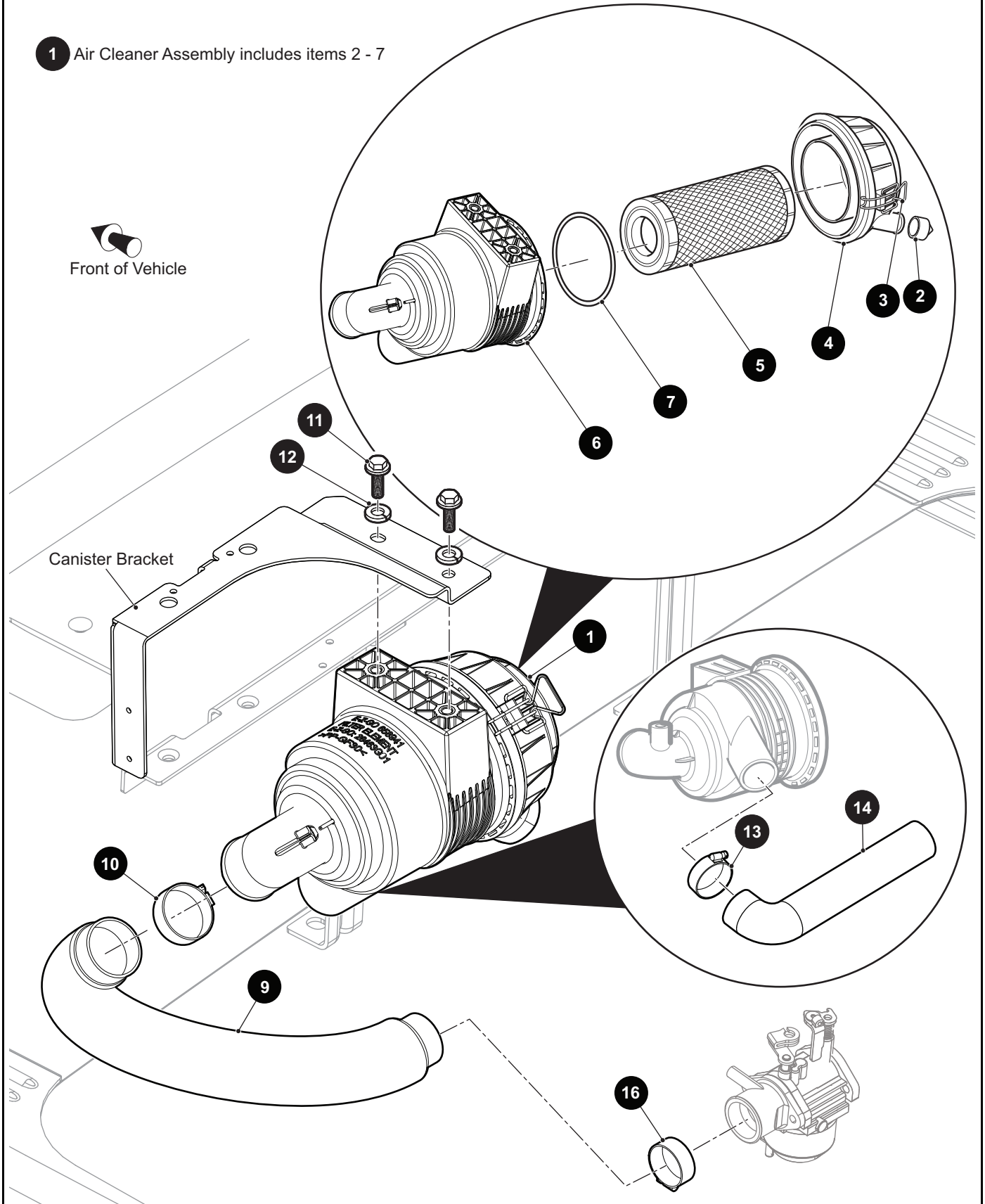
*** Indicates consult Customer Service Department for additional information.

ITEM	PART NO.	1 2 3 4 5	DESCRIPTION	QTY.
1	609849		Accelerator Cable.....	1
2				
3				
4	608290		Pan Head Phillips Screw, #10 - 16 x 3/4" Lg.....	2
5	604536		Socket Head Shoulder Bolt, M8 - 1.25 x 20mm Lg.....	1
6	649803		Pan Head Torx Screw, M6 - 2.65 x 25mm Lg.....	3
7	614393		Pedal Insert.....	1
8				
9				
10				
11	606005		Governor Bracket (Lower).....	1
12	606284		Governor Link Rod.....	1
13	660005		Governor Guard Bracket.....	1
14				
15	606083		Governor Bracket (Upper).....	1
16	632936		Governor Cable/Direction Selector Bracket.....	1
17				
18	606283		Governor Lever Bushing.....	1
19	606421		Flanged Hex Head Bolt, M6 - 1 x 30mm Lg, Grade 8.8.....	1
20	606256		Flanged Hex Head Bolt, M10 - 1.25 x 25mm Lg, Grade 8.8.....	2
21				
22	606264		Flanged Hex Head Bolt, M6 - 1 x 20mm Lg, Grade 8.8.....	1
23	73876G01		Flanged Hex Head Bolt, M6 - 1 x 12mm Lg, Grade 8.8.....	1
24	601476		Lock Nut M6 - 1.....	1
25				
26	450452		Flanged Hex Nut, M6 - 1.....	1

AIR FILTER

1 Air Cleaner Assembly includes items 2 - 7

Front of Vehicle



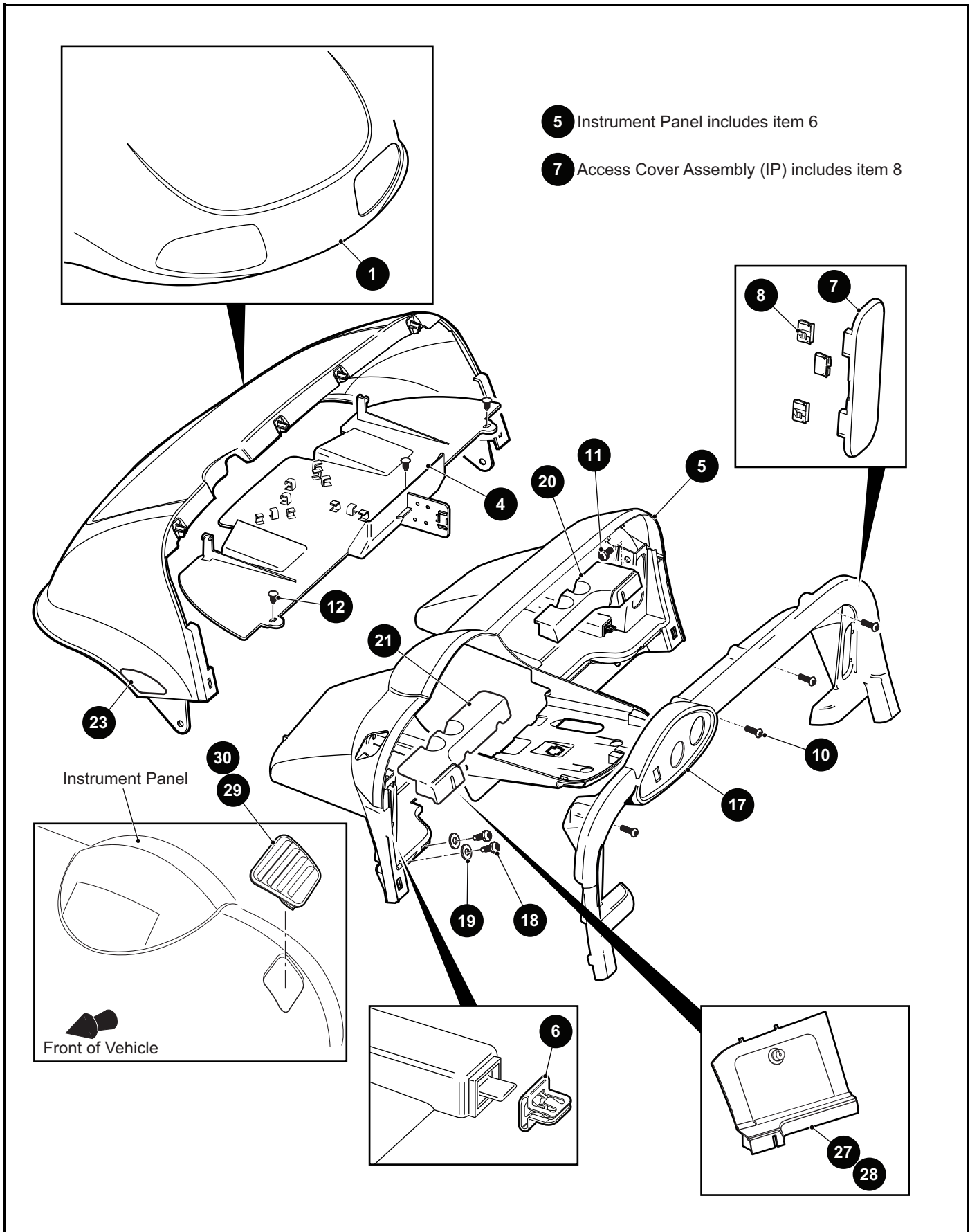
THE USE OF NON U.L. PARTS WILL VOID ANY U.L. LISTING.

When ordering parts, please specify the model and serial number of the product.

* Indicates a component that is not available as an individual part.

*** Indicates consult Customer Service Department for additional information.

ITEM	PART NO.	1 2 3 4 5	DESCRIPTION	QTY.
1	688989		Air Cleaner Assembly (Includes Items 2 - 7)	1
2	28462G01		Dust Ejector Valve	1
3	72604G01		Air Cleaner Clip	2
4	691746		Air Cleaner Cover	1
5	28463G01		Air Filter	1
6	689988		Air Cleaner Housing	1
7	689987		Air Cleaner Seal	1
8				
9	601910		Air Filter Hose, 14" Lg	1
10	11391G7		Hose Clamp, 1.56"	1
11	606261		Flanged Hex Head Bolt, M8 - 1.25 x 20mm Lg, Grade 8.8	2
12	606272		Lock Washer, 8mm	2
13	11391G7		Hose Clamp, 1.56"	1
14	661663		Intake Extension Hose	1
15	12416G2		Nylon Clamp, 15.5" Lg (Not Illustrated)	1
16	11391G5		Hose Clamp, .81"	1



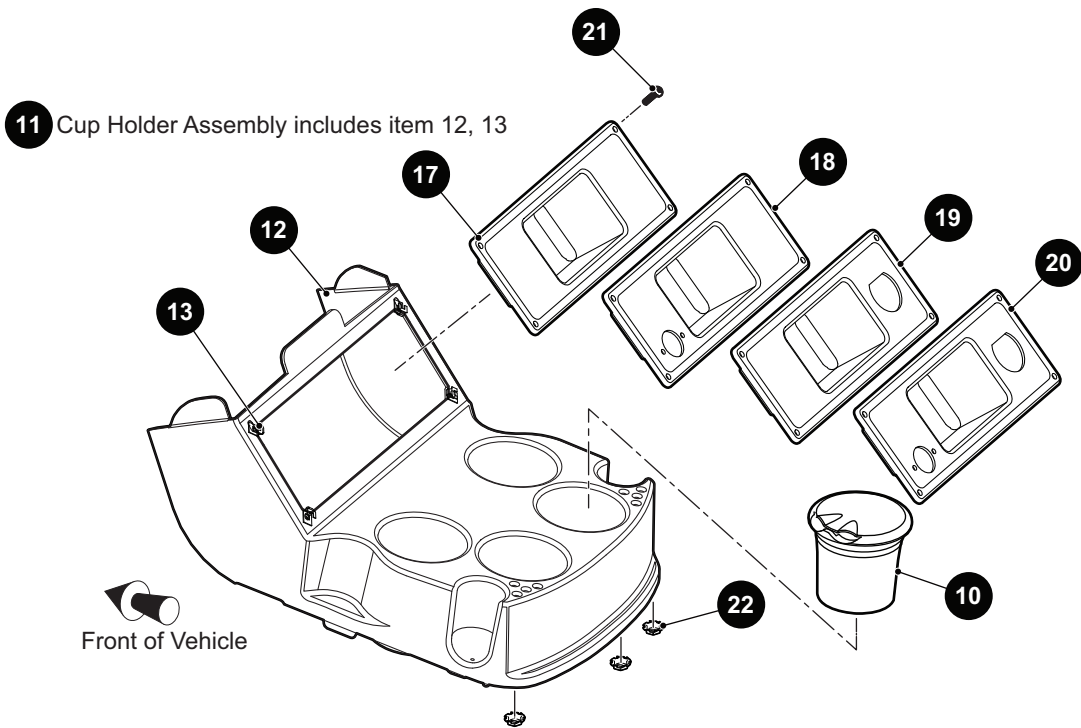
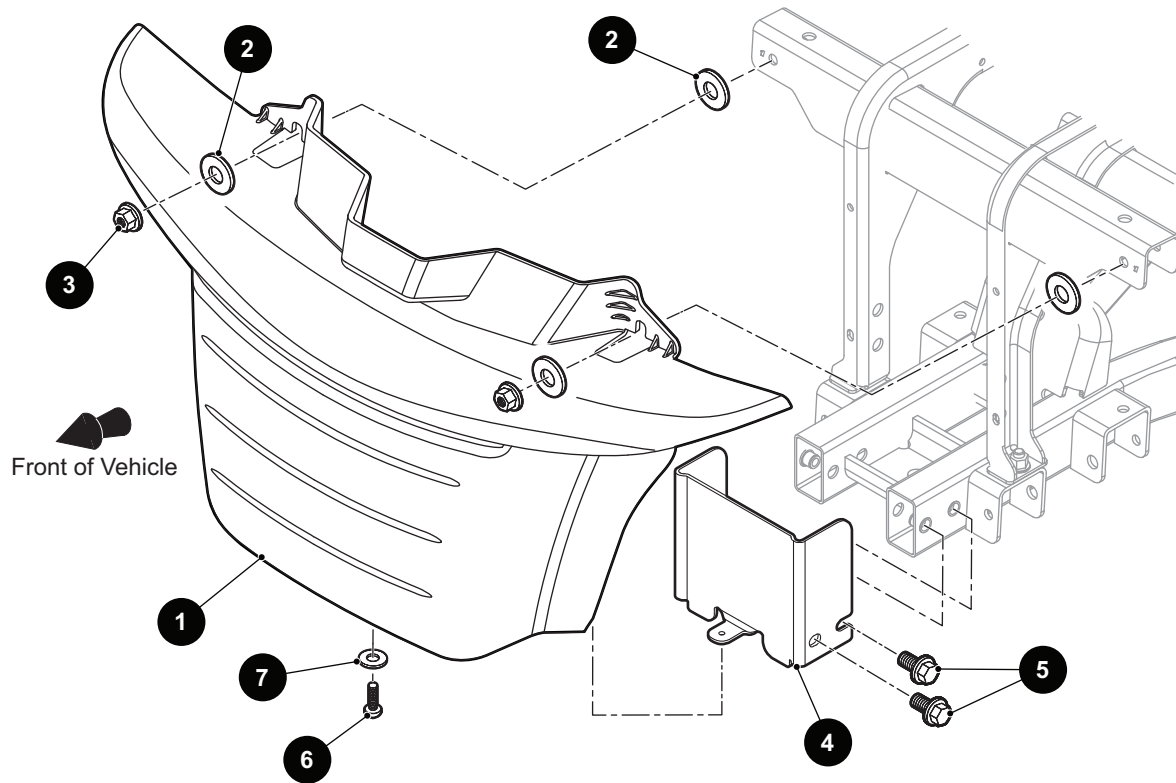
THE USE OF NON U.L. PARTS WILL VOID ANY U.L. LISTING.

When ordering parts, please specify the model and serial number of the product.

* Indicates a component that is not available as an individual part.

*** Indicates consult Customer Service Department for additional information.

ITEM	PART NO.	1 2 3 4 5	DESCRIPTION	QTY.
1	645759G01XX		Cowl with Lights (See HOW TO USE Section for COLOR CODES)	1
2				
3				
4	601634		Front Splash Guard.....	1
5	602387		Instrument Panel (Includes Item 6)	1
6	602184		Spring Clip	4
7	602388		Access Cover Assembly (IP) (Includes Item 8)	1
8	602100		U-clip	3
9				
10	649803		Pan Head Torx Screw, M6 - 2.65 x 25mm Lg.....	4
11	70200G01		Truss Head Torx Bolt, 3/8" - 16 x 3/4" Lg	2
12	16816G2		Ratchet Rivet, .25" x .887"	3
13				
14				
15				
16				
17	608864		Instrument Panel Trim (Opening For Key Switch, SOC and Light Switch).....	1
18	602572		Pan Head Taptite Bolt, M10 - 1.5 x 25mm Lg, Grade 8.8	4
19	604066		Flat Washer, M10	4
20	600241		Ball Holder Insert (Passenger Side).....	1
21	600243		Ball Holder Insert (Driver Side)	1
22				
23	608991		Yellow Reflector	1
24				
25				
26				
27	607131		Glove Box (Passenger Side).....	1
28	607533		Glove Box (Driver Side)	1
29	602993		Grommet (Driver Side) (Used for Vehicles without Sun Top)	1
30	602994		Grommet (Passenger Side) (Used for Vehicles without Sun Top)	1



THE USE OF NON U.L. PARTS WILL VOID ANY U.L. LISTING.

When ordering parts, please specify the model and serial number of the product.

* Indicates a component that is not available as an individual part.

*** Indicates consult Customer Service Department for additional information.

ITEM	PART NO.	1 2 3 4 5	DESCRIPTION	QTY.
1	656325		Front Fascia	1
2	604066		Flat Washer, M10	4
3	600525		Lock Nut, M10 - 1.5.....	2
4	641628		Bumper Attachment Bracket	1
5	603799		Flanged Hex Head Bolt, M10 - 1.5 x 25mm Lg, Grade 8.8.....	4
6	646348		Thread Forming Screw, 1/4" - 20 x 1" Lg	1
7	646345		Flat Washer, 1/4"	1
8				
9				
10	603725		Ashtray	1
11	644117		Cup Holder Assembly (Includes Items 12, 13).....	1
12	640706		Center Console.....	1
13	71364G02		J-type Speed Nut, #8.....	4
14				
15				
16				
17	638348G01		Center Compartment.....	1
18	638348G02		Center Compartment (Opening For 12V).....	1
19	638348G03		Center Compartment (Opening For USB).....	1
20	638348G04		Center Compartment (Opening For 12V and USB)	1
21	608290		Pan Head Phillips Screw, #10 - 16 x 3/4" Lg.....	4
22	71597G01		Self Threading Nut, .226"	3

THE USE OF NON U.L. PARTS WILL VOID ANY U.L. LISTING.

When ordering parts, please specify the model and serial number of the product.

* Indicates a component that is not available as an individual part.

*** Indicates consult Customer Service Department for additional information.

ITEM	PART NO.	1 2 3 4 5	DESCRIPTION	QTY.
1	600225		Floorboard.....	1
2				
3	16816G2		Ratchet Rivet, .25" x .887"	5
4	16816G1		Ratchet Rivet, .25" x .680"	2
5	604066		Flat Washer, M10	2
6	601257		Upper Rocker Panel (Driver Side).....	1
7	600253		Lower Rocker Panel (Driver Side).....	1
8	601258		Upper Rocker Panel (Passenger Side).....	1
9	600257		Lower Rocker Panel (Passenger Side).....	1
10	649804		Button Head Torx Screw, M8 - 3.5 x 30mm Lg.....	5
11				
12	603707		Floormat (Horn Attachment).....	1
13	602020		Socket Head Torx Bolt, M10 - 1.5 x 50mm Lg, Grade 8.8.....	2
14				
15	605277		Pedal Cover Plate	1
16	16816G2		Ratchet Rivet, .25" x .887"	4

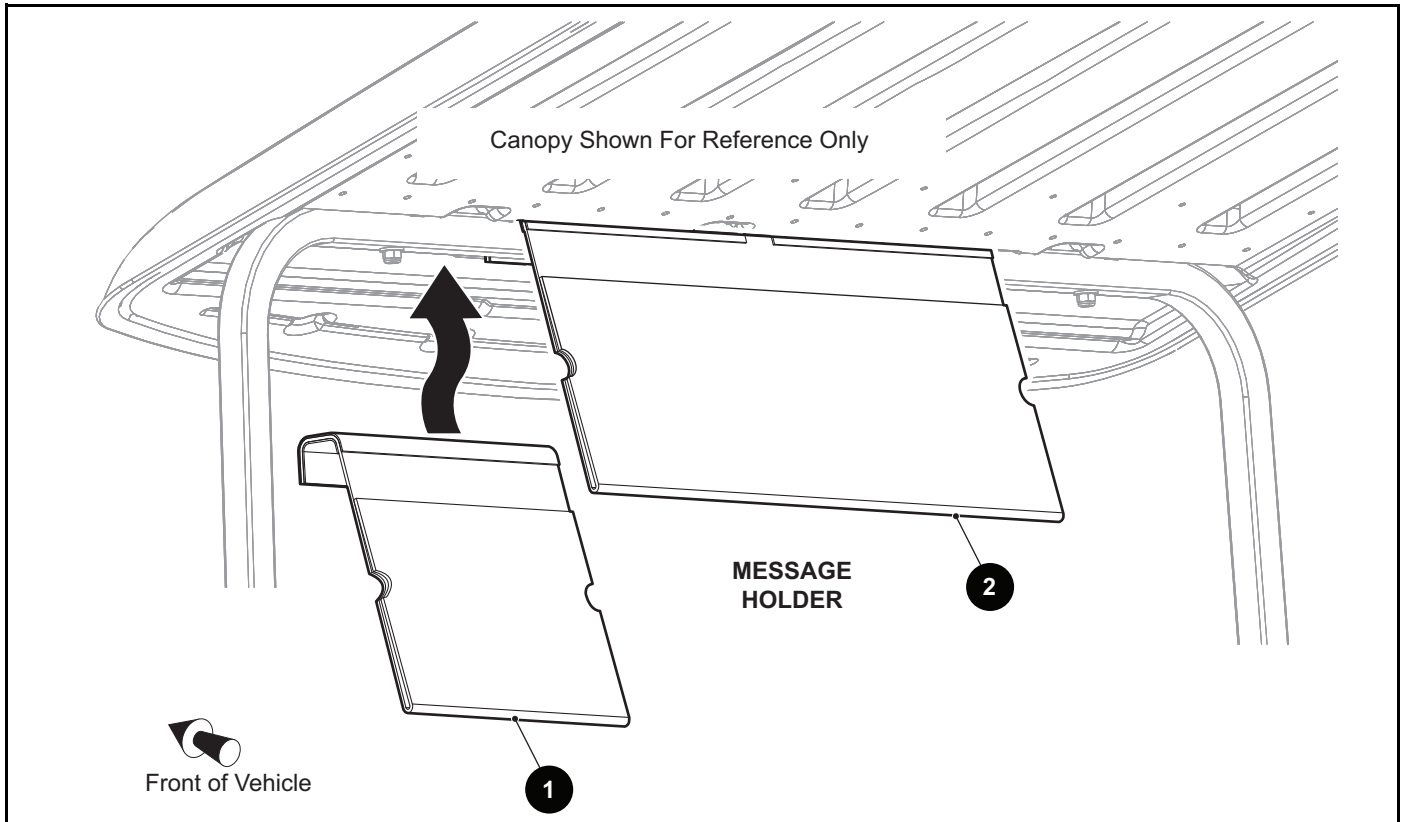
THE USE OF NON U.L. PARTS WILL VOID ANY U.L. LISTING.

When ordering parts, please specify the model and serial number of the product.

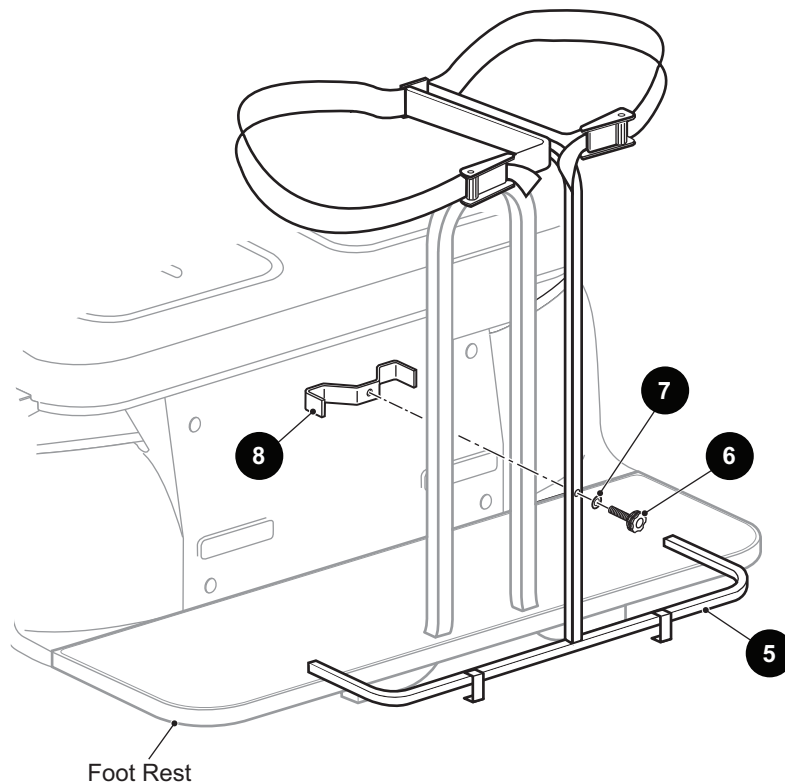
* Indicates a component that is not available as an individual part.

*** Indicates consult Customer Service Department for additional information.

ITEM	PART NO.	1 2 3 4 5	DESCRIPTION	QTY.
1	650353G01XX		Rear Body Assembly with Lights (Includes Items 2, 3) (See HOW TO USE Section for COLOR CODES)	1
2	650311G00XX		Body	1
3	650254		Bagwell Liner	1
4				
5	625246		Rear Reflex Reflector (Red) (Driver Side).....	1
6	625244		Rear Reflex Reflector (Red) (Passenger Side).....	1
7	608993		Side Reflector (Red) (Driver Side)	1
8	608996		Side Reflector (Red) (Passenger Side).....	1
9				
10				
11	650443		Access Cover	1
12	602409		Barrel Clip, M6 - 1	4
13	601326		Button Head Torx Bolt, M6 - 1 x 20mm Lg, Grade 8.8	4
14	601621		Rear Splash Guard (Driver Side)	1
15	601622		Rear Splash Guard (Passenger Side).....	1
16	601921		Front Seat Support Assembly	1
17	602558		Seat Hinge Plate	1
18	602572		Pan Head Taptite Bolt, M10 - 1.5 x 25mm Lg, Grade 8.8	2
19	16816G2		Ratchet Rivet, .25" x .887"	4
20				
21	71316G01		Plug	1
22	649804		Button Head Torx Screw, M8 - 3.5 x 30mm Lg.....	4
23	604066		Flat Washer, M10	4
24	602572		Pan Head Taptite Bolt, M10 - 1.5 x 25mm Lg, Grade 8.8	2



4 Two Bag-4 Caddy Attachment Kit includes items 5 - 8



THE USE OF NON U.L. PARTS WILL VOID ANY U.L. LISTING.

When ordering parts, please specify the model and serial number of the product.

* Indicates a component that is not available as an individual part.

*** Indicates consult Customer Service Department for additional information.

ITEM	PART NO.	1 2 3 4 5	DESCRIPTION	QTY.
1	609308		Message Holder (Single).....	1
2	617613		Message Holder (Double).....	1
3				
4	75183G01		Two Bag-4 Caddy Attachment Kit (Includes Items 5 - 8).....	1
5	75188G01		Bag Attachment Assembly.....	1
6	22238G2		Knob, 3/8" - 16 x 1 1/2" Lg.....	1
7	17255G1		Flat Washer (Plastic)	1
8	620184		Support Bracket.....	1

THE USE OF NON U.L. PARTS WILL VOID ANY U.L. LISTING.

When ordering parts, please specify the model and serial number of the product.

* Indicates a component that is not available as an individual part.

*** Indicates consult Customer Service Department for additional information.

ITEM	PART NO.	1 2 3 4 5	DESCRIPTION	QTY.
1	653204		Brake Pedal Assembly (Includes Items 2 - 40)	1
2	*		Brake Arm Mount.....	1
3	*		Socket Head Bolt, M5 - .8 x 15mm Lg.....	1
4	*		Socket Head Bolt, M4 - .7 x 10mm Lg.....	1
5	*		Spacer (Torsion Spring).....	1
6	*		Torsion Spring, 4.5mm Dia	1
7	*		Flanged Bushing, 16mm x 12mm	4
8	*		Bush Sleeve (Split), 8mm x 12mm	1
9	604459		Cable Pull Clip	1
10	604458		Equalizer.....	1
11	601835		E-ring, 8mm	4
12	601895		Clevis Pin, 8mm x 27mm	1
13	601894		Clevis Pin, 8mm x 21.5mm.....	2
14	*		Flanged Bushing, 16mm x 12mm.....	1
15	*		Ball Stud, 6mm Dia.....	1
16	*		Multi Latch Cam.....	1
17	604097		Rebound Bumper	2
18	609226		Bracket	1
19	*		Button Head Torx Bolt, M6 - 1 x 20mm Lg.....	2
20	*		Spirol Pin, 5mm x 30mm	3
21	600683		Spirol Pin (Heavy Duty), 4mm x 26mm	4
22	*		Lock Washer, 6mm	4
23	*		Pedal (Black)	1
24	*		Flanged Bush (Plastic), 8mm	3
25	*		Compression Spring	1
26	*		Latch Release Pin	1
27	*		Compression Spring, Engage.....	1
28	*		Roll Pin, 5mm x 16mm	1
29	*		Flat Washer, M4.....	1
30	*		Park Brake Pushrod	1
31	*		Clevis Pin, 8mm x 45mm.....	1

BRAKES

THE USE OF NON U.L. PARTS WILL VOID ANY U.L. LISTING.

When ordering parts, please specify the model and serial number of the product.

* Indicates a component that is not available as an individual part.

*** Indicates consult Customer Service Department for additional information.

ITEM	PART NO.	1	2	3	4	5	DESCRIPTION	QTY.
32	626156						Park Brake Pad	1
33	*						Solid Pin, 4mm x 57mm	1
34	610471						Brake Pedal Cover	1
35	610635						Park Brake Pedal Cover.....	1
36	*						Latch Ratchet	2
37	613231						Flanged Hex Head Bolt, M6 - 1 x 20mm Lg, Grade 8.8.....	2
38	*						Pivot Shaft.....	1
39	626146						Brake Cable Arm	1
40	606265						Flanged Hex Head Bolt, M6 - 1 x 12mm Lg, Grade 8.8.....	1

BRAKES

THE USE OF NON U.L. PARTS WILL VOID ANY U.L. LISTING.

When ordering parts, please specify the model and serial number of the product.

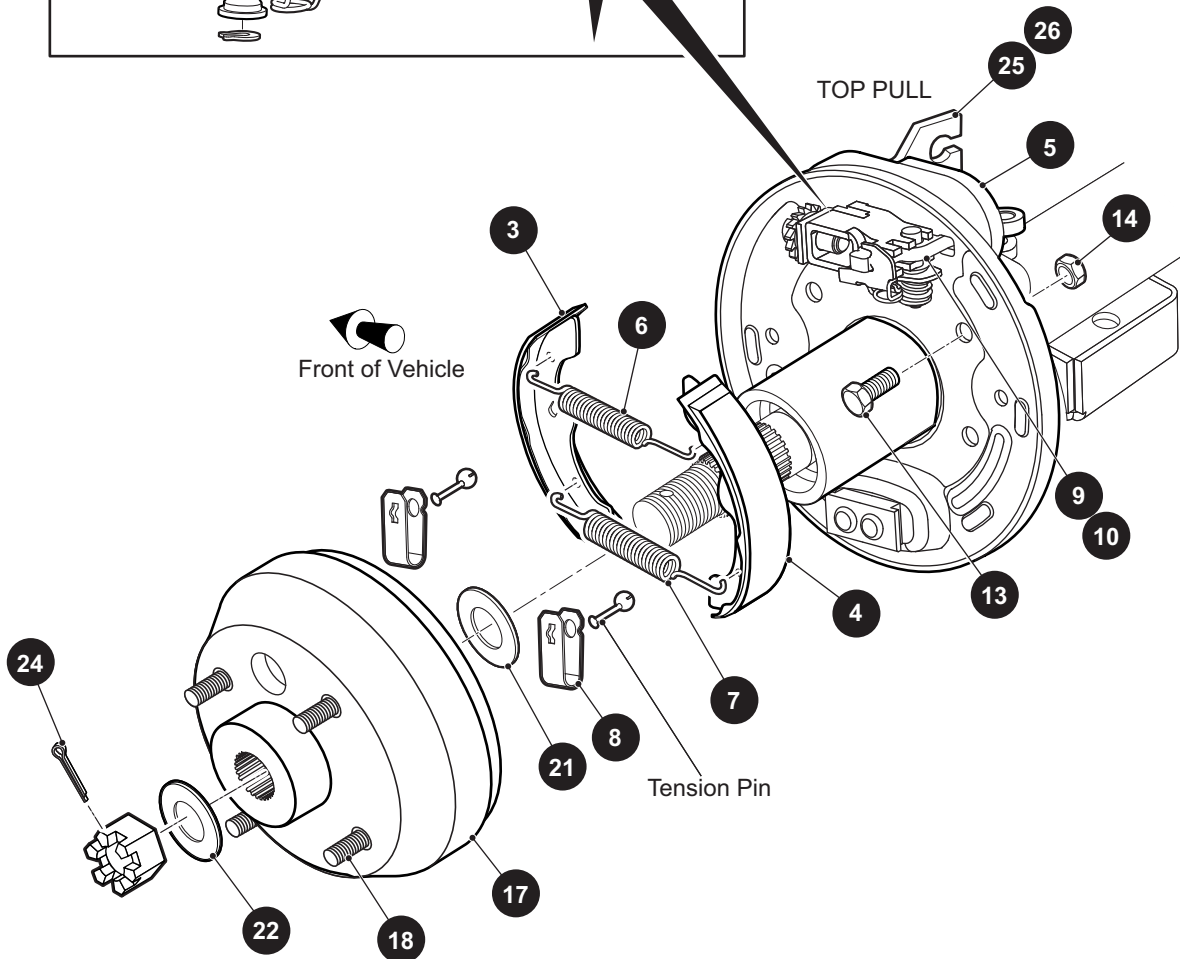
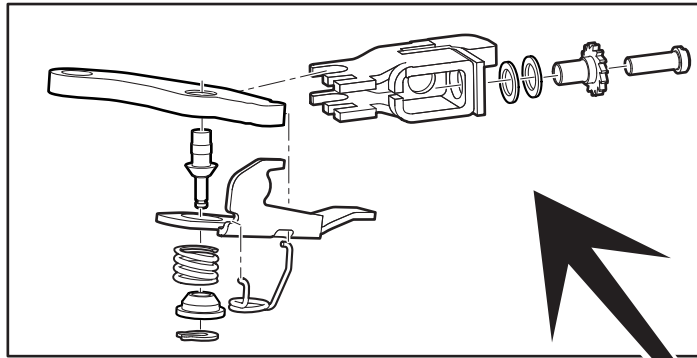
* Indicates a component that is not available as an individual part.

*** Indicates consult Customer Service Department for additional information.

ITEM	PART NO.	1 2 3 4 5	DESCRIPTION	QTY.
1	611373		Brake Cable (Driver Side)	1
2	612519		Brake Cable (Passenger Side).....	1
3	605254		Socket Head Bolt, M8 - 1.25 x 90mm Lg	4
4	10386G3		Clevis Pin, 5/16" x .940"	1
5	10387G3		Cotter Pin, .094" x 3/4" Lg.....	1
6	605688		Brake Pedal Cover	1
7	600543		Button Head Torx Bolt, M4 - .75 x 12mm Lg	2
8	17618G1		Nylon Clamp, 8" Lg (Not Illustrated).....	1
9	601327		Lock Washer (Split), 6mm	2
10	800425		Hex Head Bolt, M6 - 1 x 16mm Lg, Grade 8.8	2
11	609181		Brake Light Jumper Harness.....	1
12	607605		Brake and Accelerator Pedal Switch	1

BRAKES

- 1 Brake Assembly (Driver Side) includes items 3 - 9
- 2 Brake Assembly (Passenger Side) includes items 3 - 8, 10
- 16 Brake Drum Assembly includes items 17, 18



THE USE OF NON U.L. PARTS WILL VOID ANY U.L. LISTING.

When ordering parts, please specify the model and serial number of the product.

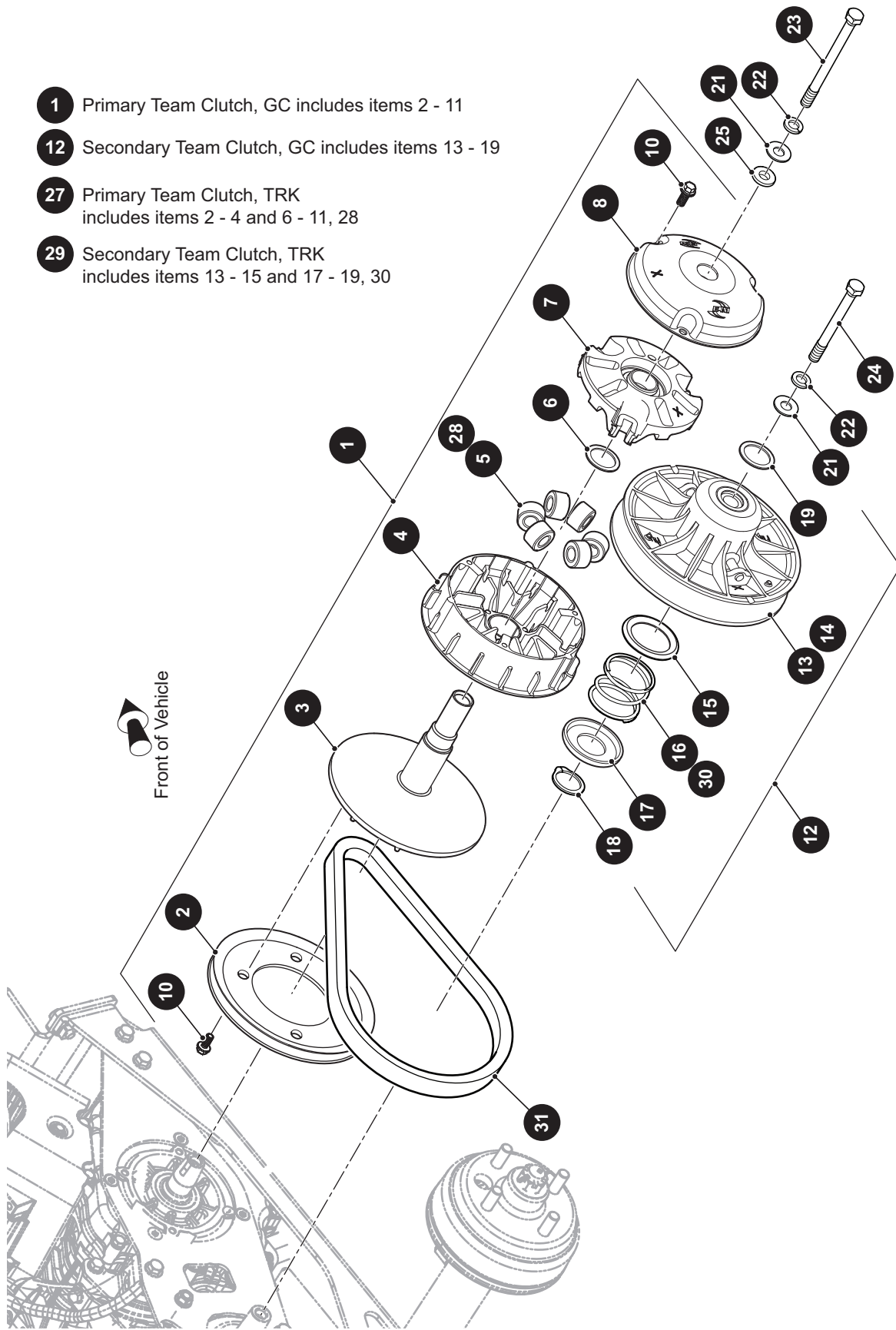
* Indicates a component that is not available as an individual part.

*** Indicates consult Customer Service Department for additional information.

ITEM	PART NO.	1 2 3 4 5	DESCRIPTION	QTY.
1	612189		Brake Assembly (Driver Side) (Includes Items 3 - 9)	1
2	612211		Brake Assembly (Passenger Side) (Includes Items 3 - 8, 10).....	1
3	612411		Brake Shoe, Leading	1
4	612412		Brake Shoe, Trailing	1
5	612413		Dust Cover.....	1
6	612415		Brake Spring, Top	1
7	612414		Brake Spring, Bottom	1
8	612416		Shoe Clamp.....	2
9	612418		Gear Adjuster (Driver Side)	1
10	612417		Gear Adjuster (Passenger Side).....	1
11				
12				
13	17083G2		Hex Head Bolt, 5/16" - 24 x 1" Lg, Grade 8	4
14	15126G1		Lock Nut, 5/16" - 24	4
15				
16	21807G2		Brake Drum Assembly (Includes Items 17, 18).....	1
17	20947G1		Brake Drum	1
18	19862G2		Lug Bolt, 1/2" - 20 x 1.718" Lg.....	4
19				
20				
21	21809G1		Flat Washer (Inner Wheel Rim), 1.31" O.D. x .98" I.D	1
22	606945		Flat Washer (Brake Drum), 1.75" O.D. x .886" I.D	1
23				
24	10387G1		Cotter Pin, 5/32" x 1 3/4" Lg.....	1
25	652248		Brake Cable Bracket (Passenger Side)	1
26	610096		Brake Cable Bracket (Driver Side).....	1

CLUTCH

- 1** Primary Team Clutch, GC includes items 2 - 11
- 12** Secondary Team Clutch, GC includes items 13 - 19
- 27** Primary Team Clutch, TRK includes items 2 - 4 and 6 - 11, 28
- 29** Secondary Team Clutch, TRK includes items 13 - 15 and 17 - 19, 30



THE USE OF NON U.L. PARTS WILL VOID ANY U.L. LISTING.

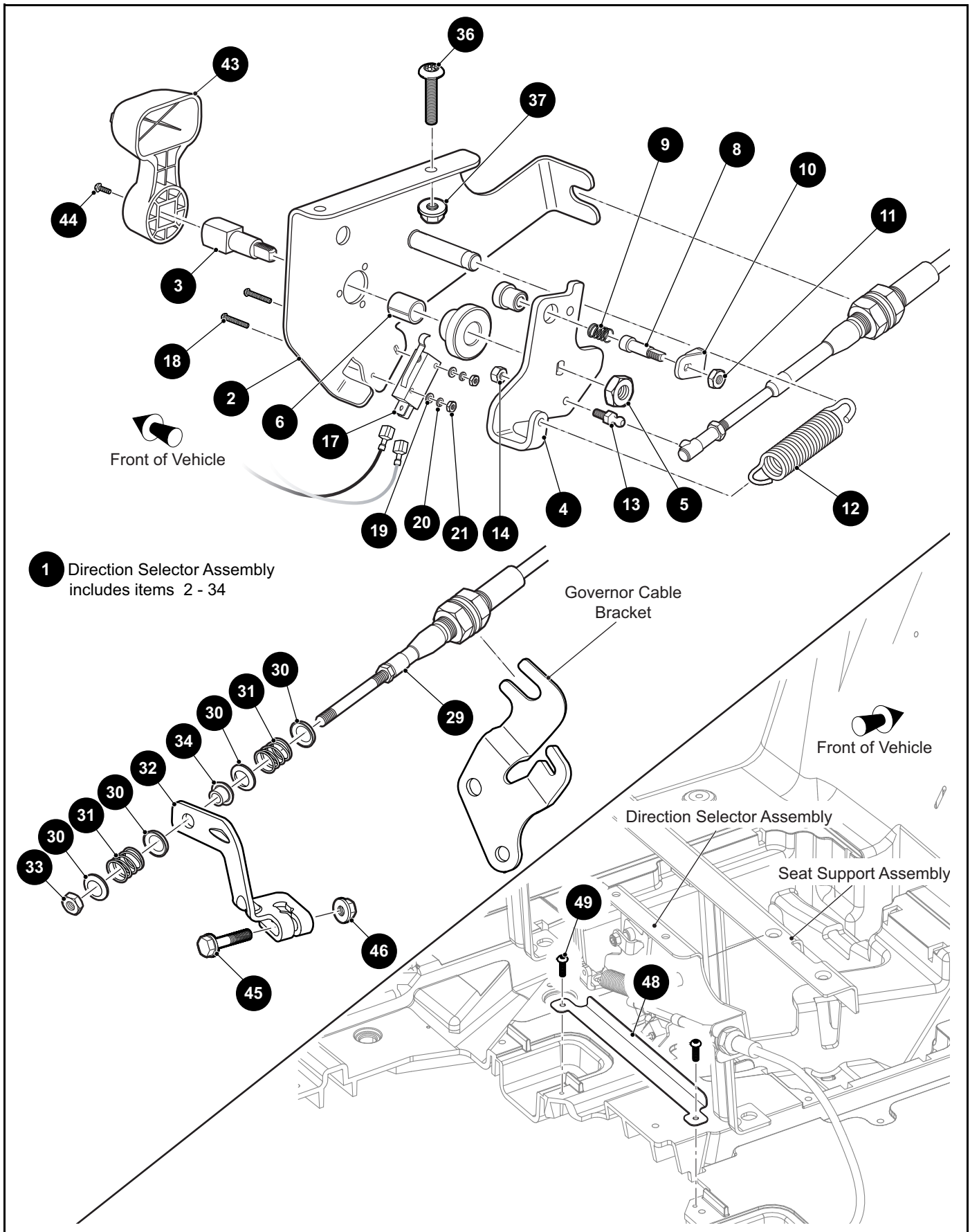
When ordering parts, please specify the model and serial number of the product.

* Indicates a component that is not available as an individual part.

*** Indicates consult Customer Service Department for additional information.

ITEM	PART NO.	1 2 3 4 5	DESCRIPTION	QTY.
1	672686		Primary Team Clutch, GC (Includes items 2 - 11)	1
2	619333		Primary Starter Pulley	1
3	619334		Stationary Assembly	1
4	619335		Moveable Primary Assembly	1
5	619336		Shift Roller Assembly	6
6	619337		Shim, 39.5mm x 31.75mm	1
7	644303		Primary Spider Assembly	1
8	619339		Primary Dust Cover Assembly	1
9	644305		Torque Primary Button (Not Illustrated)	1
10	619332		Hex Washer Head Bolt, 1/4" - 20 x 3/4" Lg	7
11	644306		Torque Button Plug (Not Illustrated)	6
12	644300		Secondary Team Clutch, GC (Includes items 13 - 19)	1
13	*		Secondary Stationary Clutch	1
14	*		Moveable Secondary Clutch	1
15	619327		Inner Retainer Spring	1
16	644304		Compression Spring	1
17	619329		Outer Spring Retainer	1
18	619330		Retainer Ring	1
19	619331		Thrust Washer, 1.530" x 1.830" x 1"	1
20				
21	606239		Conical Washer, M12	2
22	00566G3		Lock Washer (Spring Type), 3/8"	2
23	606245		Hex Head Bolt, M12 - 1.25 x 160mm Lg, Grade 8.8	1
24	606243		Hex Head Bolt, M12 - 1.25 x 120mm Lg, Grade 8.8	1
25	606230		Clutch Washer, 27.5 Dia. O.D x 13.06 Dia. I.D	1
26				
27	672688		Primary Team Clutch, TRK (Includes items 2 - 4 and 6 - 11, 28)	1
28	624112		Shift Roller Assembly	6
29	623949		Secondary Team Clutch, TRK (Includes Items 13 - 15 and 17- 19, 30)	1
30	624111		Compression Spring	1
31	618630		Drive Belt	1

DIRECTION SELECTOR



DIRECTION SELECTOR

THE USE OF NON U.L. PARTS WILL VOID ANY U.L. LISTING.

When ordering parts, please specify the model and serial number of the product.

* Indicates a component that is not available as an individual part.

*** Indicates consult Customer Service Department for additional information.

ITEM	PART NO.	1 2 3 4 5	DESCRIPTION	QTY.
1	608161		Direction Selector Assembly (Includes Items 2 - 34).....	1
2	603627		Direction Selector Bracket	1
3	608150		Direction Selector Shaft.....	1
4	603700		Direction Selector Cam.....	1
5	14390G1		Lock Nut, 3/8" - 24	1
6	25664G2		Bushing, 1/2" x .750" Lg	1
7				
8	72724G01		Neutral Lock Pin	1
9	72733G01		Compression Spring	1
10	72729G01		Neutral Lock Latch.....	1
11	00734G2		Lock Nut, 1/4" - 28	1
12	28574G01		Extension Spring	1
13	72732G01		Ball Stud, #10 - 32	1
14	00734G5		Lock Nut, #10 - 32	1
15				
16				
17	72736G01		Micro Switch	1
18	01062G01		Round Head Screw, #4 - 40 x 1" Lg	2
19	00559G1		Flat Washer, #4.....	2
20	00565G1		Lock Washer, #4	2
21	00526G2		Hex Nut, #4 - 40	2
22				
23				
24				
25				
26				
27				
28				
29	603615		Shifter Cable	1
30	25727G01		Cup Washer, 1/4".....	4
31	72735G01		Compression Spring	2

DIRECTION SELECTOR

THE USE OF NON U.L. PARTS WILL VOID ANY U.L. LISTING.

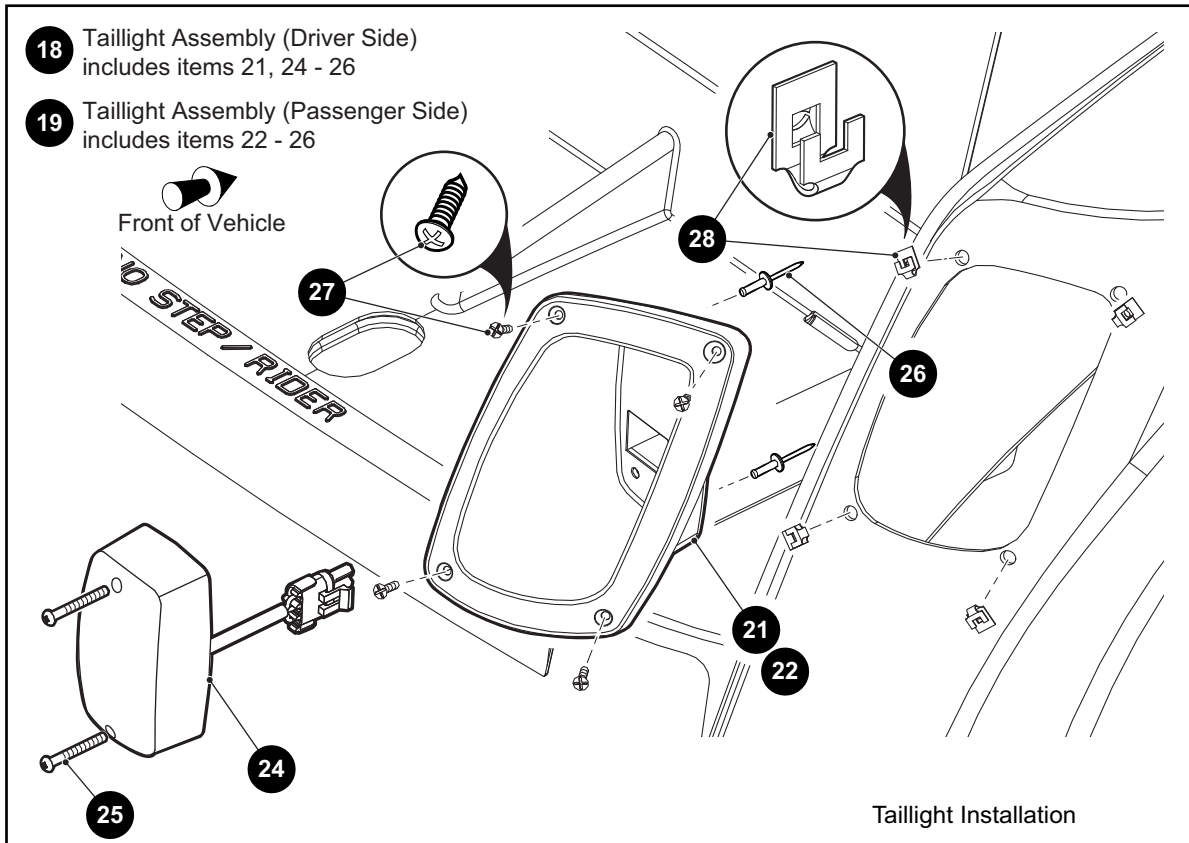
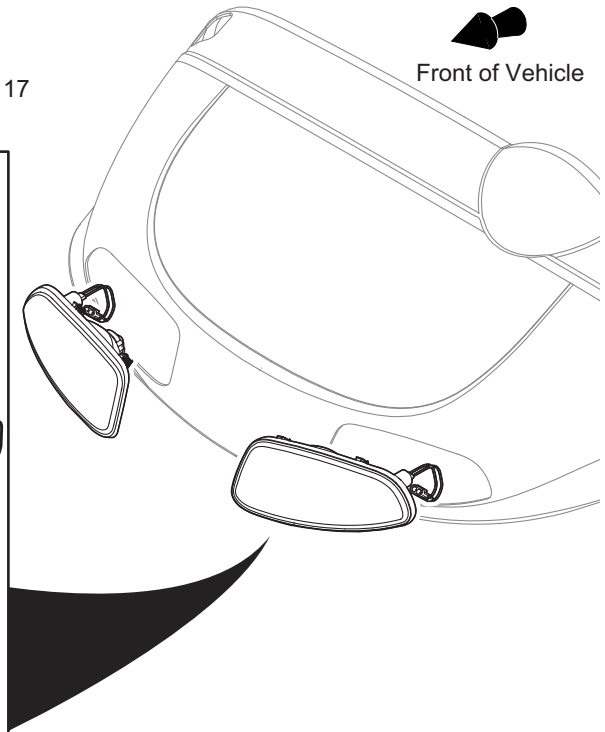
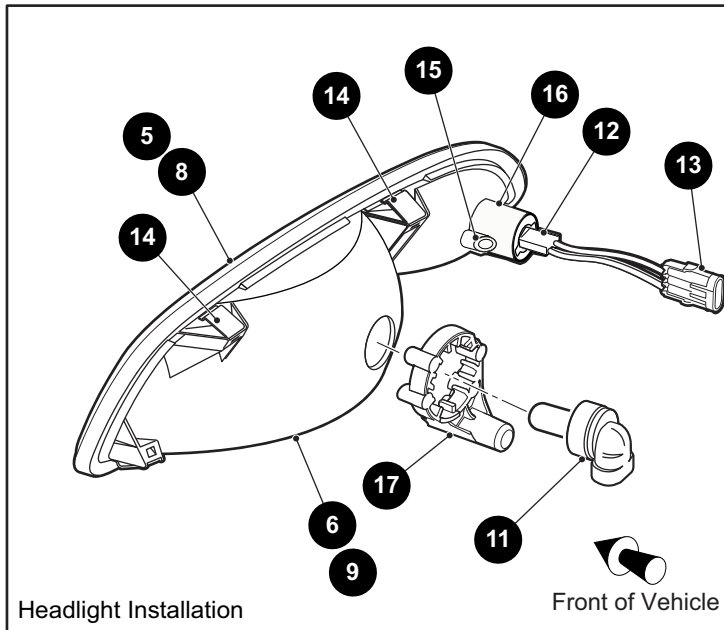
When ordering parts, please specify the model and serial number of the product.

* Indicates a component that is not available as an individual part.

*** Indicates consult Customer Service Department for additional information.

ITEM	PART NO.	1	2	3	4	5	DESCRIPTION	QTY.
32	632891						Pivot Bracket.....	1
33	00734G5						Lock Nut, #10 - 32.....	1
34	22754G4						Bushing (Flip Lok), .250".....	1
35								
36	601326						Button Head Torx Bolt, M6 - 1 x 20mm Lg, Grade 8.8.....	2
37	450452						Hex Nut, M6 - 1	2
38								
39								
40								
41								
42								
43	71205G01						Direction Selector Handle.....	1
44	01037G02						Pan Head Phillips Screw, #10 - 32 x 1/2" Lg.....	1
45	606421						Flanged Hex Head Bolt, M6 - 1 x 30mm Lg, Grade 8.8	1
46	450452						Hex Nut, M6 - 1	1
47								
48	628573						Body Support.....	1
49	608290						Self Tapping Screw, #10 - 16 x 3/4" Lg.....	2

- 1 Headlight Assembly (Driver Side) includes items 5, 6, 11 - 17
- 2 Headlight Assembly (Passenger Side) includes items 8, 9, 11 - 17



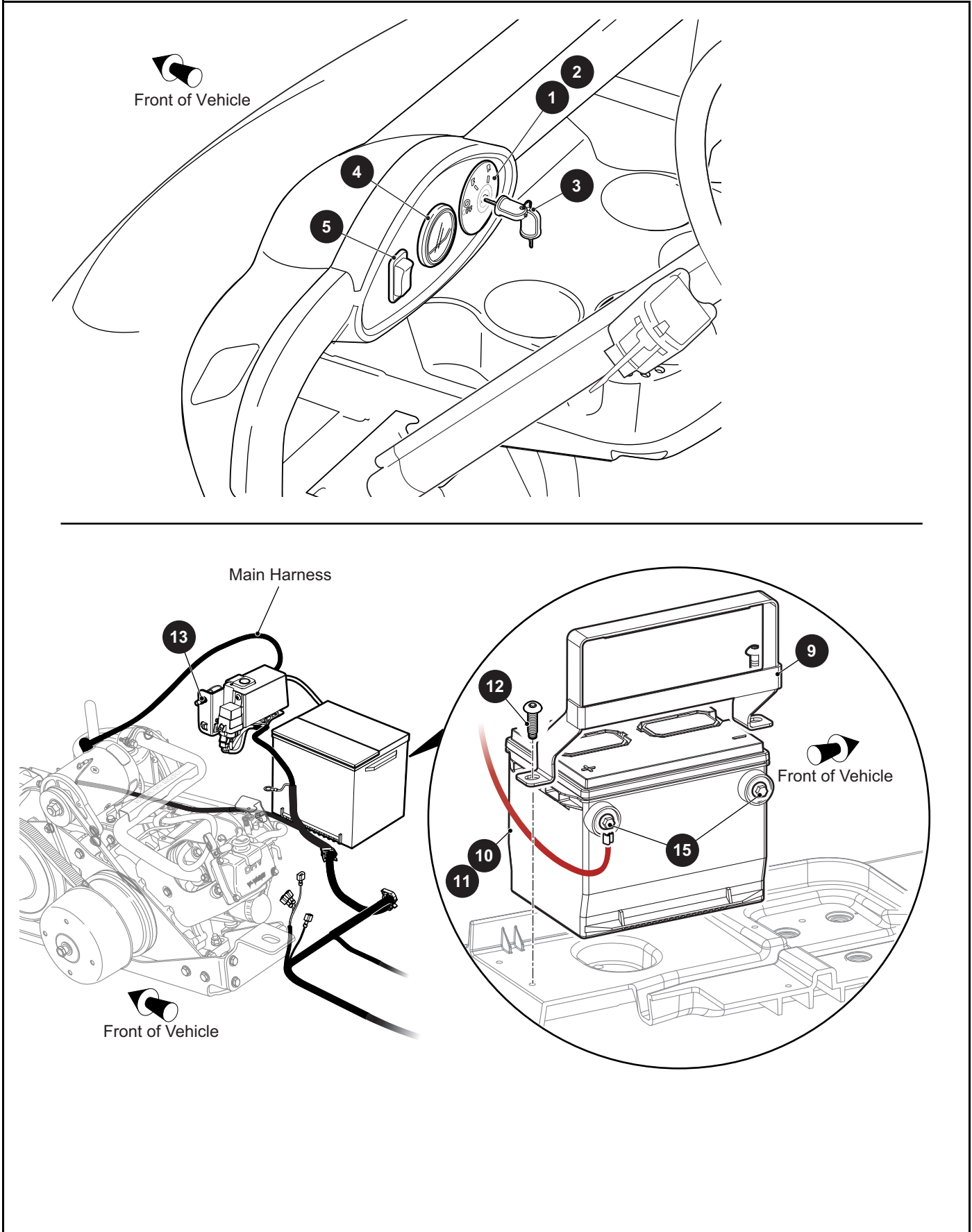
THE USE OF NON U.L. PARTS WILL VOID ANY U.L. LISTING.

When ordering parts, please specify the model and serial number of the product.

* Indicates a component that is not available as an individual part.

*** Indicates consult Customer Service Department for additional information.

ITEM	PART NO.	1 2 3 4 5	DESCRIPTION	QTY.
1	607439		Headlight Assembly (Driver Side) (Includes Items 5, 6, 11 - 17).....	1
2	607438		Headlight Assembly (Passenger Side) (Includes Items 8, 9, 11 - 17)	1
3				
4				
5	607452		Gasket (Driver Side)	1
6	607436		Headlight (Driver Side)	1
7				
8	607437		Headlight Gasket (Passenger Side)	1
9	607435		Headlight (Passenger Side).....	1
10				
11	74004G01		Headlight Bulb	1
12	676687		Front Turn Signal Bulb.....	1
13	607487		Wiring Harness (Turn Signal Lamp)	1
14	607434		Headlight Clip	4
15	608328		Button Head Torx Screw (Plastite), M3 - 1.3 x 14mm Lg.....	1
16	608322		Headlight Retainer.....	1
17	615459		Anti Rotation Collar.....	1
18	648672G01		Taillight Assembly (Driver Side) (Includes Item 21, 24 - 26).....	1
19	648672G02		Taillight Assembly (Passenger Side) (Includes Item 22 - 26)	1
20				
21	639815G01		Bezel (Driver Side)	1
22	639815G02		Bezel (Passenger Side)	1
23				
24	639816		Taillight.....	1
25	00513G4		Pan Head Phillips Screw, #8 - 18 x 3/4" Lg	2
26	14601G11		Rivet (Aluminum), 3/16" x 9/16"	2
27	71425G01		Tapping Screw, #8 - 18 x 3/4" Lg.....	4
28	71364G02		J-type Nut, #8.....	4



THE USE OF NON U.L. PARTS WILL VOID ANY U.L. LISTING.

When ordering parts, please specify the model and serial number of the product.

* Indicates a component that is not available as an individual part.

*** Indicates consult Customer Service Department for additional information.

ITEM	PART NO.	1 2 3 4 5	DESCRIPTION	QTY.
1	611284		Keyswitch	1
2	609696		Keyswitch and Key Set (Unique).....	1
3	611282		Key Set (Common).....	1
4	612314		Fuel Meter	1
5	604019		Headlight Switch	1
6				
7				
8				
9	643145		Battery Tie Down.....	1
10	637484		Battery, 12V.....	1
11	638433		Battery (Heavy Duty), 12V	1
12	649804		Button Head Torx Screw, M8 - 3.50 x 30mm Lg.....	2
13	602572		Pan Head Taptite Bolt, M10 - 1.5 x 25mm Lg, Grade 8.8	2
14				
15	640488		Battery Bolt (Side Terminal)	2

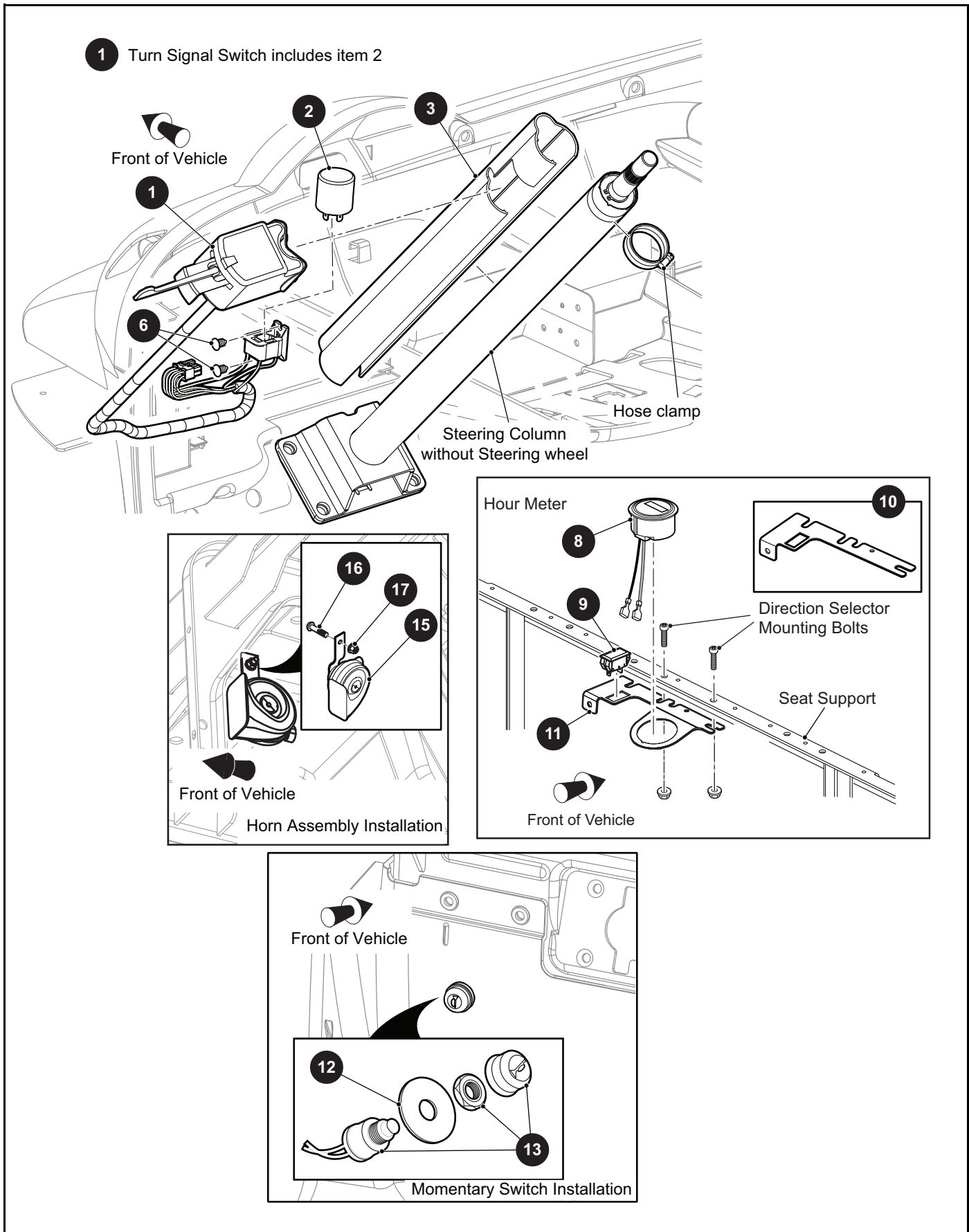
THE USE OF NON U.L. PARTS WILL VOID ANY U.L. LISTING.

When ordering parts, please specify the model and serial number of the product.

* Indicates a component that is not available as an individual part.

*** Indicates consult Customer Service Department for additional information.

ITEM	PART NO.	1 2 3 4 5	DESCRIPTION	QTY.
1	659007		Solenoid Harness Assembly (Includes Items 2 - 22).....	1
2	659006		Main Harness	1
3	615349		Solenoid Bracket	1
4	603390		Solenoid Cover	1
5	663593		Relay, 12V	1
6	27739G01		Voltage Regulator	1
7	16816G1		Ratchet Rivet, .25" x .680"	1
8	601326		Button Head Torx Bolt, M6 - 1 x 20mm Lg, Grade 8.8.....	3
9	601476		Lock Nut, M6 - 1	4
10	602053		Lock Nut, M4 - .7	3
11	600543		Button Head Torx Bolt, M4 - .75 x 12mm Lg, Grade 8.8.....	3
12	645209		#6 GA Wire Assembly (B+ / Sol).....	1
13	602063		Button Head Torx Bolt, M6 - 1 x 40mm Lg.....	1
14	603874		6 AWG Wire Assembly, Black (Sol - F2)	1
15	613322		Solenoid Base, 14V	1
16	00544G4		Hex Jam Nut, 5/16" - 24	2
17	00565G8		Lock Washer, 5/16"	2
18	00526G4		Hex Nut, #10 - 32	2
19	00565G5		Lock Washer, #10	2
20	646246		3A Diode, #10 Ring (Not Illustrated)	1
21	636455G12		Fuse, 10A	1
22	636455G13		Fuse, 15A	1



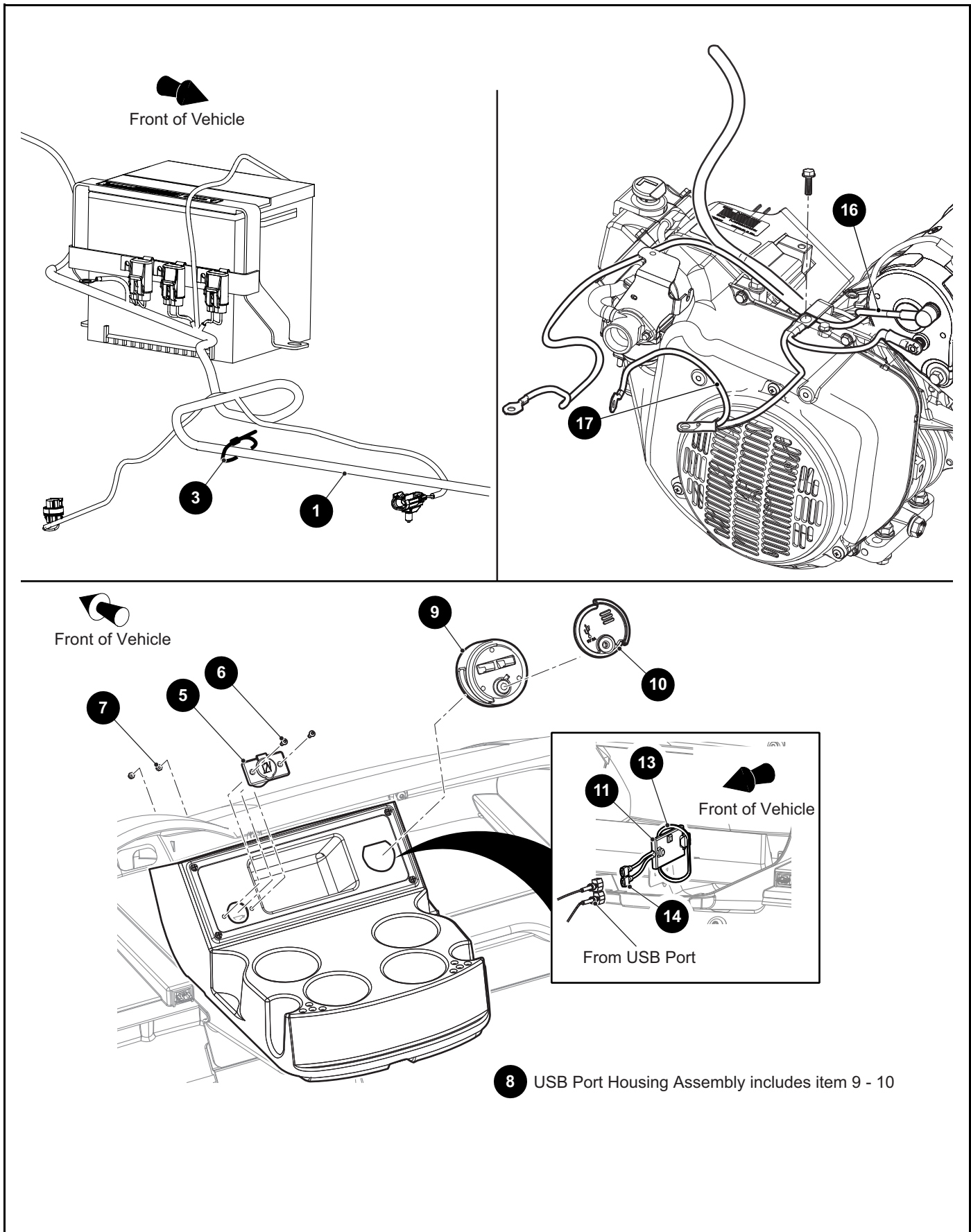
THE USE OF NON U.L. PARTS WILL VOID ANY U.L. LISTING.

When ordering parts, please specify the model and serial number of the product.

* Indicates a component that is not available as an individual part.

*** Indicates consult Customer Service Department for additional information.

ITEM	PART NO.	1 2 3 4 5	DESCRIPTION	QTY.
1	604511		Turn Signal Switch (Includes Item 2)	1
2	604367		Flasher Unit.....	1
3	20965G3		Steering Column Cover.....	1
4	19344G1		Vinyl Tape, 40mm (Not Illustrated)	1
5				
6	16816G5		Ratchet Rivet, .187" x .550"	2
7	31539G1		Nylon Clamp, 15.5" Lg (Not Illustrated).....	1
8	617074		Hour Meter	1
9	659101		Malfunction Indicator Light	1
10	659085		Fuse Bracket (For Vehicles without Hour Meter)	11
11	662631		Fuse Bracket (For Vehicles with Hour Meter)	11
12	608397		Horn Plate	1
13	17318G1		Momentary Switch.....	1
14				
15	604196		Horn Assembly.....	1
16	601326		Button Head Torx Bolt, M6 - 1 x 20mm Lg, Grade 8.8	1
17	601476		Lock Nut, M6 - 1.....	1



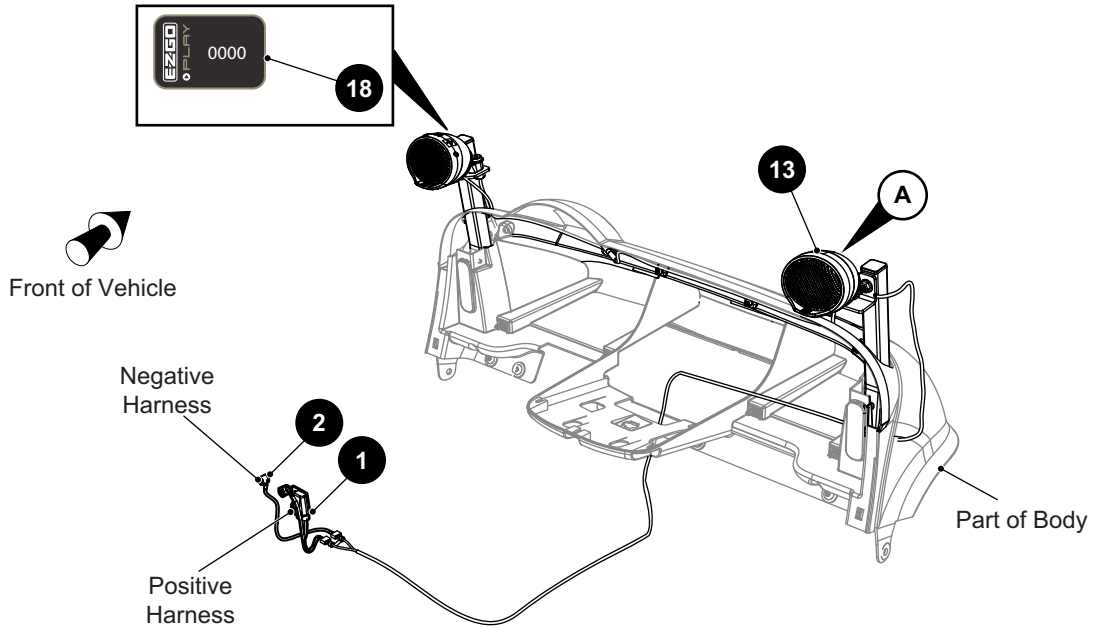
THE USE OF NON U.L. PARTS WILL VOID ANY U.L. LISTING.

When ordering parts, please specify the model and serial number of the product.

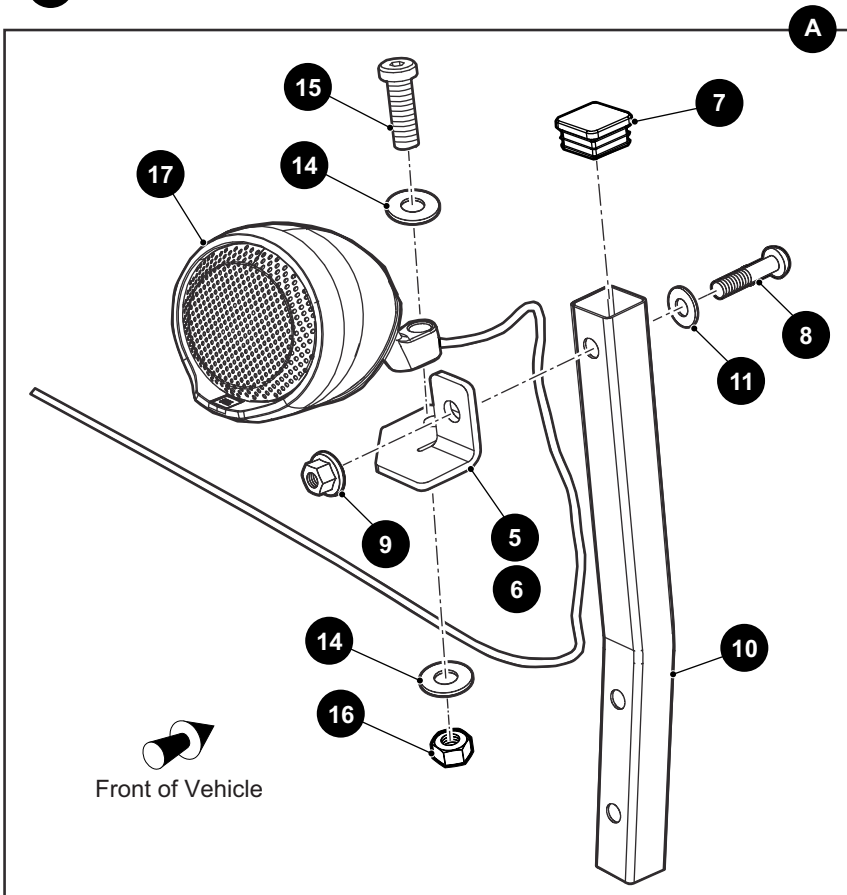
* Indicates a component that is not available as an individual part.

*** Indicates consult Customer Service Department for additional information.

ITEM	PART NO.	1 2 3 4 5	DESCRIPTION	QTY.
1	645208		Accessory Harness	1
2	01072G01		Cable Clip (Not Illustrated)	3
3	17618G1		Nylon Clamp, 8" Lg	3
4				
5	71078G01		12V Power Outlet	1
6	600543		Button Head Torx Screw, M4 - .75 x 12mm Lg, Grade 8.8.....	2
7	602053		Lock Nut, M4 - .7	2
8	639384		USB Port Housing Assembly (Includes Items 9 - 10).....	1
9	*		Housing	1
10	*		Lid.....	1
11	638233		USB Electronics	1
12				
13	17618G1		Nylon Clamp, 7" Lg	5
14	645210		USB Harness	1
15				
16	607053		#6 GA Wire.....	1
17	645192		Battery/Engine Ground Cable	1



- 3** Speaker Assembly Mounting, Driver Side includes items 5, 7 - 11
- 4** Speaker Assembly Mounting, Passenger Side includes items 6 - 11
- 12** Bluetooth Speakers Assembly includes items 13 - 18
- 13** Bluetooth Speaker (Parent) includes items 14 - 16



THE USE OF NON U.L. PARTS WILL VOID ANY U.L. LISTING.

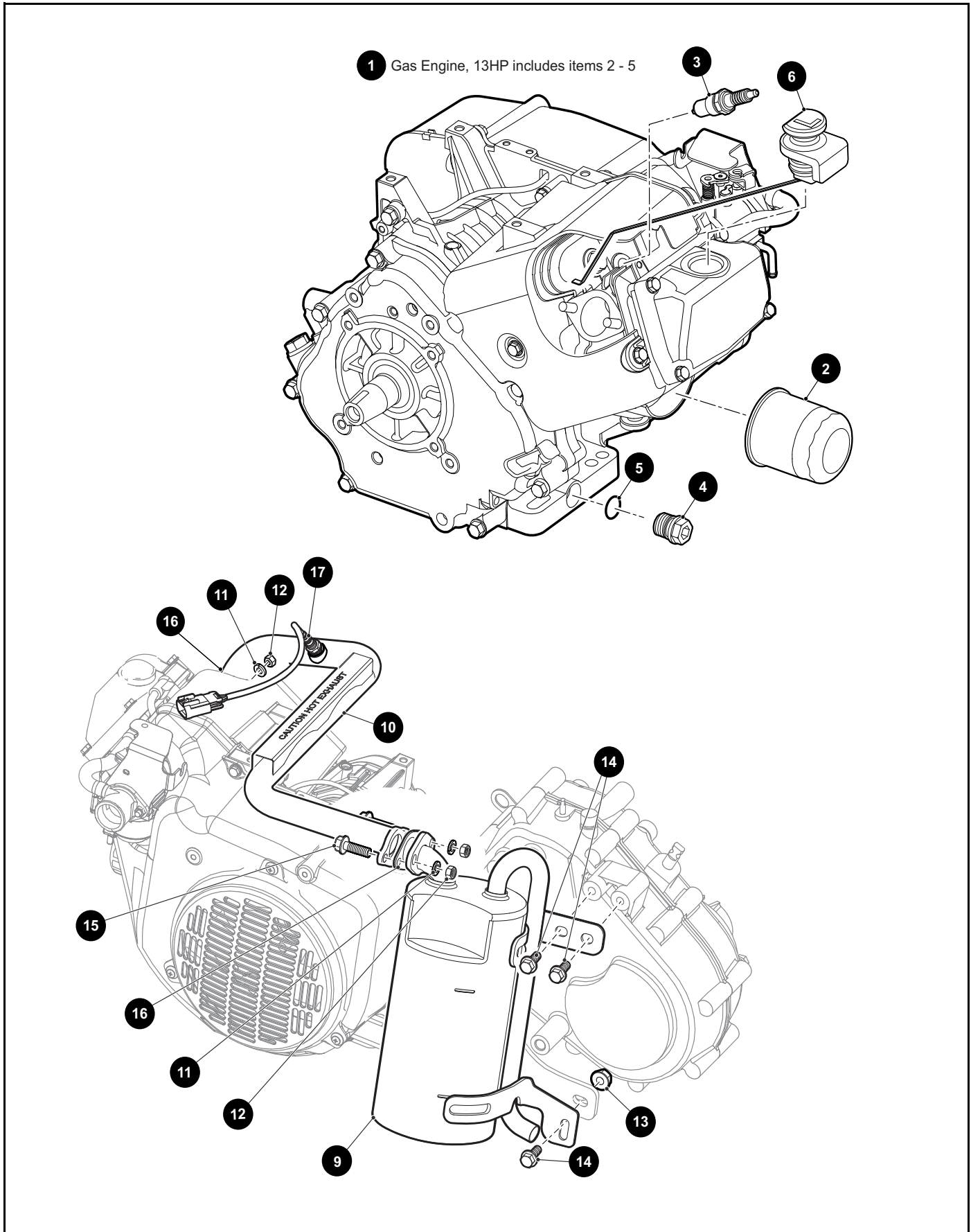
When ordering parts, please specify the model and serial number of the product.

* Indicates a component that is not available as an individual part.

*** Indicates consult Customer Service Department for additional information.

ITEM	PART NO.	1 2 3 4 5	DESCRIPTION	QTY.
1	697532		Speaker Harness (Positive)	1
2	697533		Speaker Harness (Negative).....	1
3	697232		Speaker Assembly Mounting, Driver Side (Includes Items 5, 7 - 11).....	1
4	697231		Speaker Assembly Mounting, Passenger Side (Includes Items 6 - 11).....	1
5	690335G01		Speaker Bracket (Driver Side).....	1
6	690335G02		Speaker Bracket (Passenger Side)	1
7	620634		End Cap.....	1
8	600527		Button Head Torx Bolt, M10 - 1.5 x 60 mm Lg.....	1
9	600525		Lock Nut, M10 - 1.5	1
10	648473		Front Mirror Mount Strut	1
11	603823		Flat Washer	1
12	692171		Bluetooth Speakers Assembly (Includes Items 13 - 18).....	1
13	690350		Bluetooth Speaker (Parent) (Includes Items 14 - 16)	1
14	*		Flat Washer, 1/2" - 13.....	2
15	*		Socket Head Cap Screw, 1/2" -13 x 1 1/2" Lg.....	1
16	*		Lock Nut, 1/2" - 13	1
17	692906		Bluetooth Speaker (Child)	1
18	692795		Bluetooth Speaker Decal.....	1

ENGINE AND MUFFLER



ENGINE AND MUFFLER

THE USE OF NON U.L. PARTS WILL VOID ANY U.L. LISTING.

When ordering parts, please specify the model and serial number of the product.

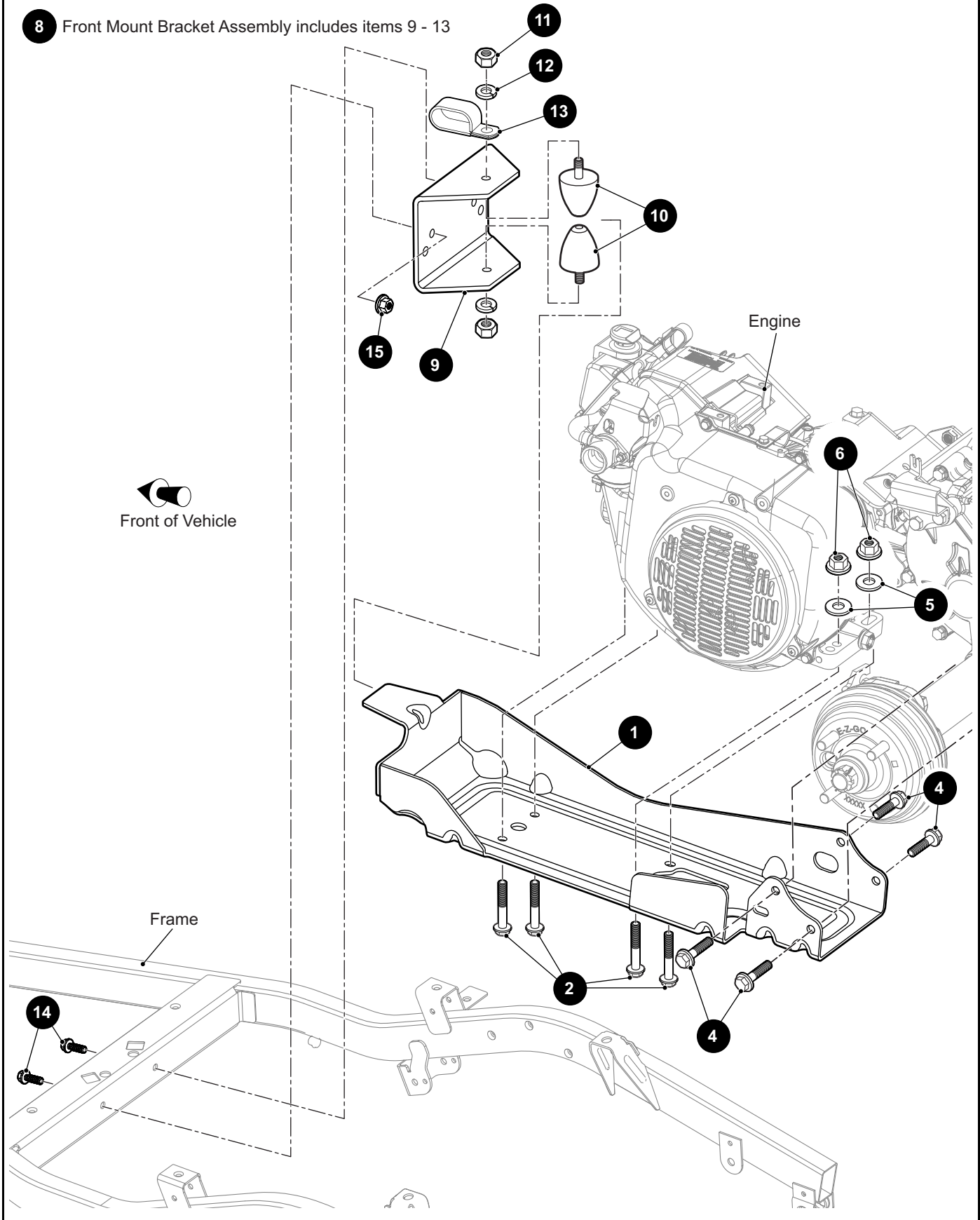
* Indicates a component that is not available as an individual part.

*** Indicates consult Customer Service Department for additional information.

ITEM	PART NO.	1 2 3 4 5	DESCRIPTION	QTY.
1	658237		Gas Engine, 13HP (Includes Items 2 - 5).....	1
2	607454		Oil Filter	1
3	607462		Spark Plug	1
4	603557		Oil Drain Plug	3
5	603562		O-ring, 16mm.....	3
6	606390		Dip Stick.....	1
7				
8				
9	674854		Muffler	1
10	657450		Exhaust Pipe.....	1
11	606272		Lock Washer, 8mm	4
12	606267		Hex Jam Nut, M8 x 1.25.....	4
13	606279		Flanged Hex Nut, M10 - 1.25.....	1
14	606256		Flanged Hex Head Bolt, M10 - 1.25 x 25mm Lg, Grade 8.8.....	3
15	602330		Flanged Hex Head Bolt, M8 - 1.25 x 30mm Lg, Grade 8.8.....	2
16	603599		Exhaust Gasket.....	2
17	657449		Oxygen Sensor	1

ENGINE MOUNTING

8 Front Mount Bracket Assembly includes items 9 - 13



ENGINE MOUNTING

THE USE OF NON U.L. PARTS WILL VOID ANY U.L. LISTING.

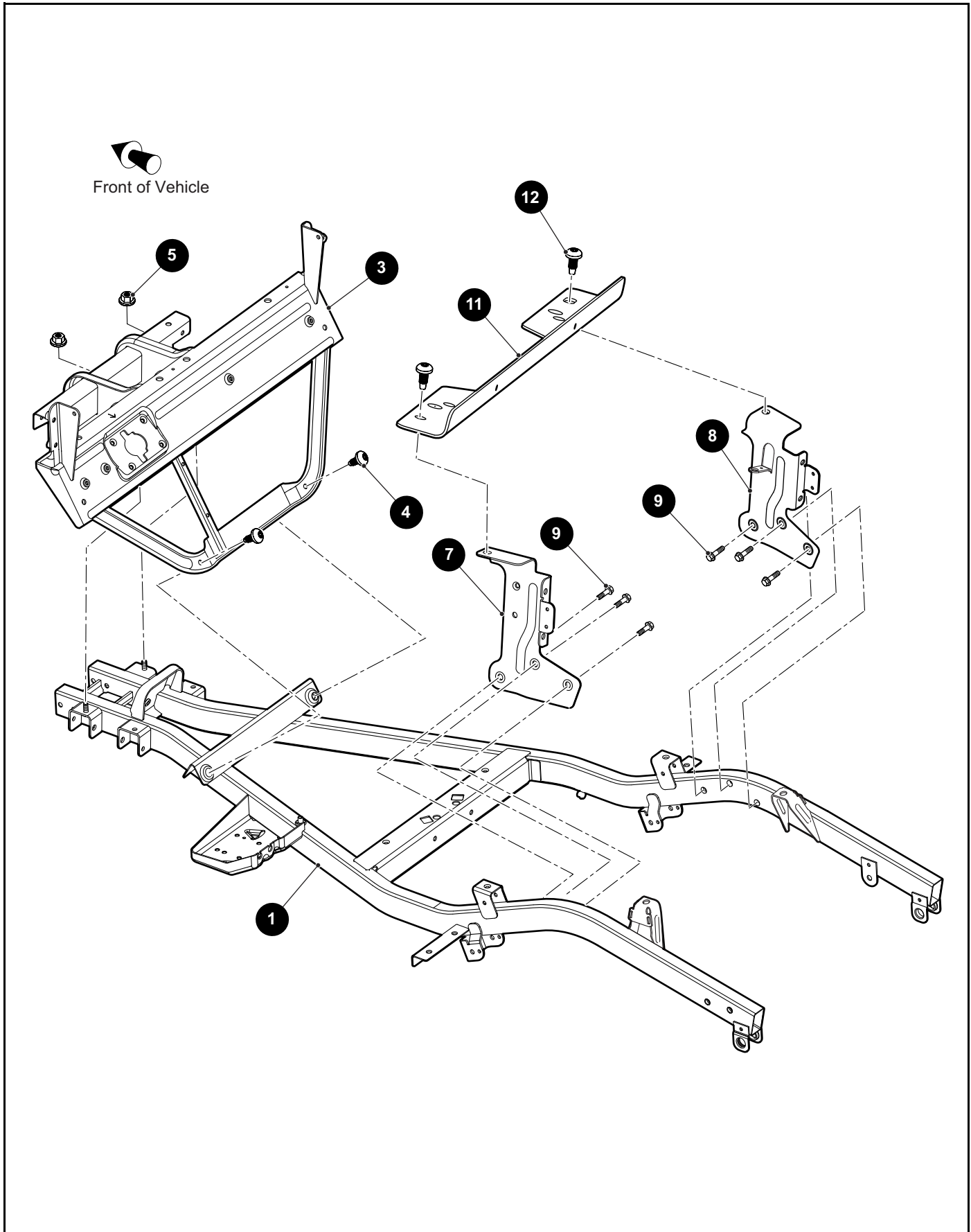
When ordering parts, please specify the model and serial number of the product.

* Indicates a component that is not available as an individual part.

*** Indicates consult Customer Service Department for additional information.

ITEM	PART NO.	1 2 3 4 5	DESCRIPTION	QTY.
1	630776		Engine Pan	1
2	606259		Flanged Hex Head Bolt, M10 - 1.25 x 45mm Lg, Grade 8.8	4
3				
4	606256		Flanged Hex Head Bolt, M10 - 1.25 x 25mm Lg, Grade 8.8	4
5	603823		Flat Washer, M10 x 22mm x 2.5mm	4
6	606279		Flanged Hex Nut, M10 - 1.25	4
7				
8	662794		Front Mount Bracket Assembly (Includes Items 9 - 13)	1
9	625345		Front Mount Bracket	1
10	605757		Rubber Bumper	2
11	00974G01		Hex Nut, M10 - 1.5	2
12	608654		Lock Washer (Split), 10mm	2
13	692754		Tube Clamp	1
14	603799		Flanged Hex Head Bolt, M10 - 1.5 x 25mm Lg, Grade 8.8	2
15	600525		Flanged Lock Nut, M10 - 1.5	2

FRAME



THE USE OF NON U.L. PARTS WILL VOID ANY U.L. LISTING.

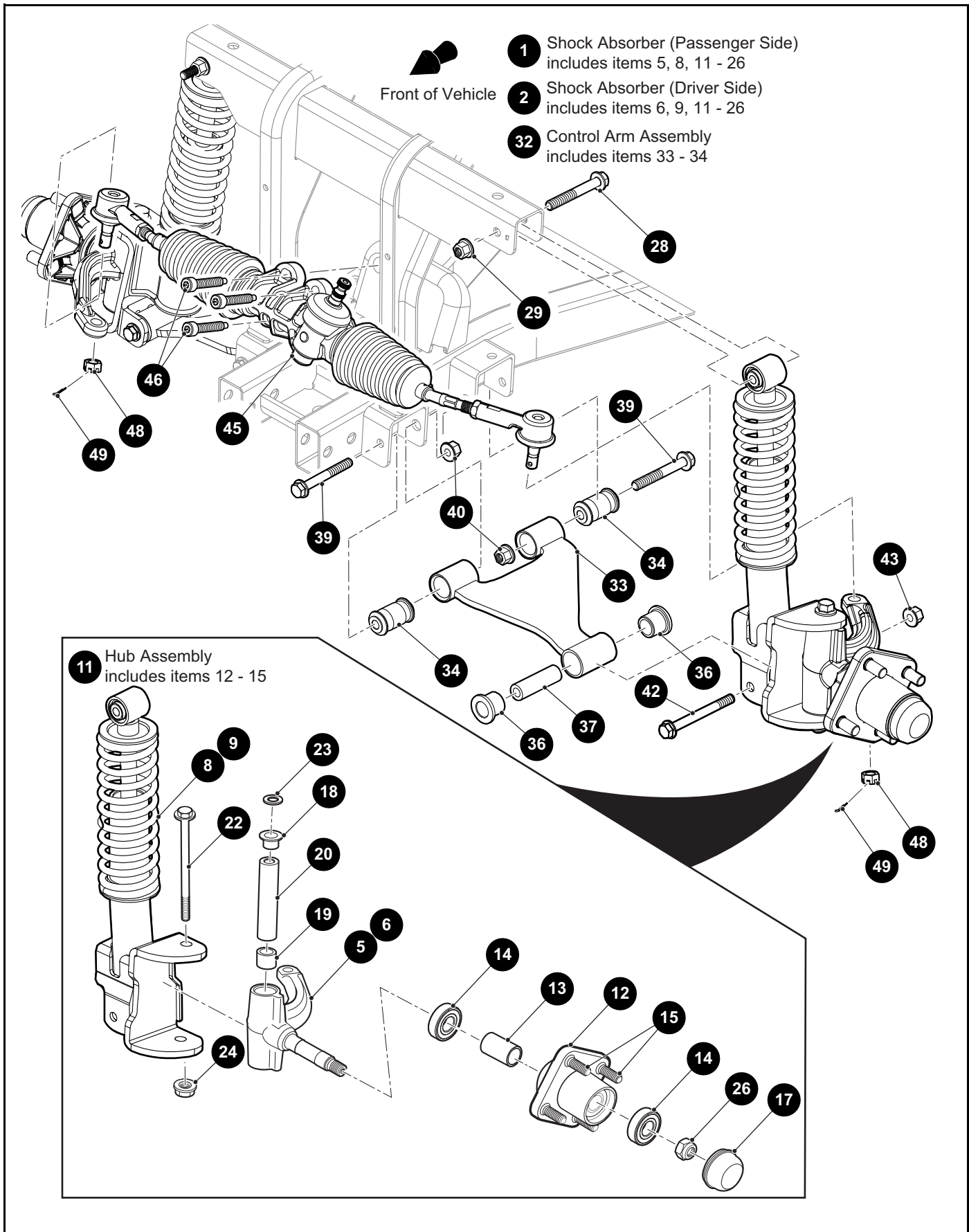
When ordering parts, please specify the model and serial number of the product.

* Indicates a component that is not available as an individual part.

*** Indicates consult Customer Service Department for additional information.

ITEM	PART NO.	1 2 3 4 5	DESCRIPTION	QTY.
1	657280G05		Frame Weldment, P/coat	1
2				
3	614597		Instrument Panel Support Weldment	1
4	602572		Pan Head Taptite Bolt, M10 - 1.5 x 25mm Lg, Grade 8.8	2
5	600525		Flanged Lock Nut, M10 - 1.5.....	2
6				
7	600218		Seat Support Bracket (Driver Side).....	1
8	613187		Seat Support Bracket (Passenger Side).....	1
9	603799		Flanged Hex Head Bolt, M10 - 1.5 x 25mm Lg, Grade 8.8.....	3
10				
11	601275		Seat Support Brace.....	1
12	602572		Pan Head Taptite Bolt, M10 - 1.5 x 25mm Lg, Grade 8.8	2

FRONT SUSPENSION AND STEERING



FRONT SUSPENSION AND STEERING

THE USE OF NON U.L. PARTS WILL VOID ANY U.L. LISTING.

When ordering parts, please specify the model and serial number of the product.

* Indicates a component that is not available as an individual part.

*** Indicates consult Customer Service Department for additional information.

ITEM	PART NO.	1 2 3 4 5	DESCRIPTION	QTY.
1	663321		Shock Absorber (Passenger Side) (Includes Items 5, 8, 11 - 26)	1
2	663303		Shock Absorber (Driver Side) (Includes Items 6, 9, 11 - 26)	1
3				
4				
5	663348		Spindle (Passenger Side)	1
6	663345		Spindle (Driver Side)	1
7				
8	655529		Strut (Passenger Side)	1
9	655526		Strut (Driver Side)	1
10				
11	609603		Hub Assembly (Includes Items 12 - 15)	1
12	602340		Hub	1
13	602342		Bearing Spacer, 28mm O.D. x 22mm I.D. x 46.7mm Lg	1
14	602341		Ball Bearing, 47mm O.D. x 20mm I.D. x 14mm	2
15	19862G1		Wheel Bolt, 1/2" - 20 x 1.218" Lg	4
16				
17	12091G2		Spindle Cap	1
18	632925		Flanged Bushing	1
19	632926		Flanged Sleeve	1
20	614034		Kingpin Tube	1
21				
22	620380		Flanged Hex Head Bolt, M12 - 1.25 x 145mm Lg, Grade 10.9	1
23	601920		Thrust Washer (SS), 35mm O.D. x 26mm I.D. x 2.5mm Lg	1
24	600549		Lock Nut, M12 - 1.25	1
25				
26	615109		Lock Nut, M16 - 2	1
27				
28	602415		Flanged Hex Head Bolt, M10 - 1.5 x 80mm Lg	1
29	600525		Lock Nut, M10 - 1.5	1
30				
31				

FRONT SUSPENSION AND STEERING

THE USE OF NON U.L. PARTS WILL VOID ANY U.L. LISTING.

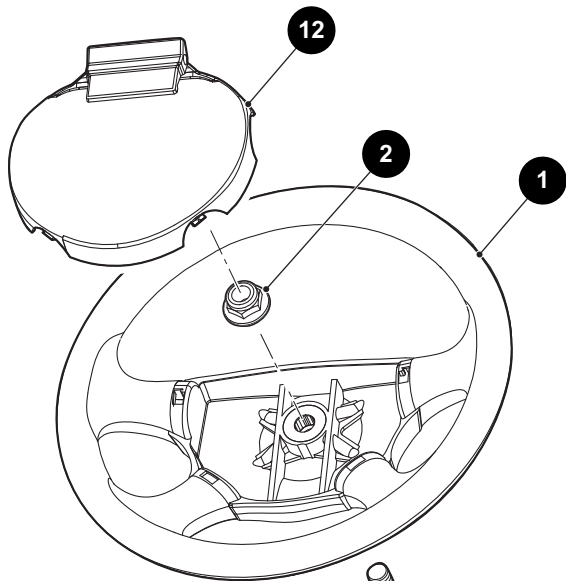
When ordering parts, please specify the model and serial number of the product.

* Indicates a component that is not available as an individual part.

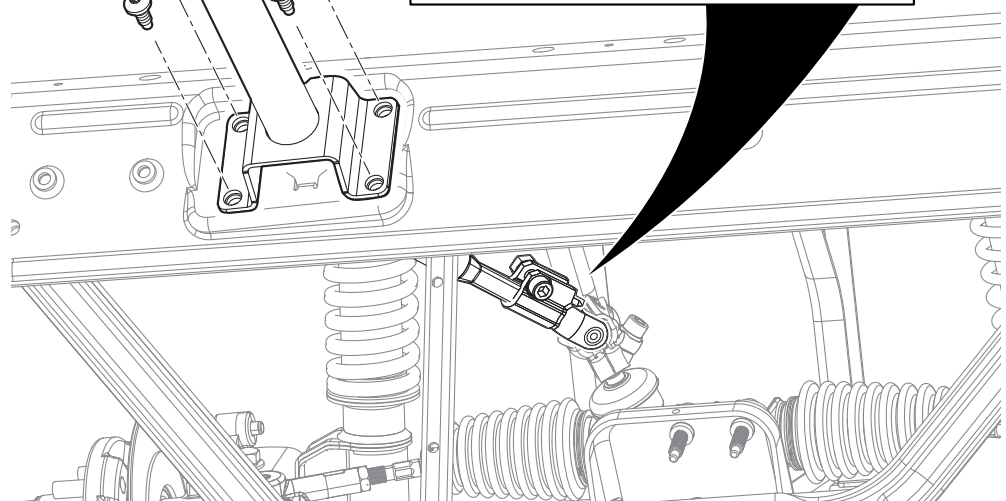
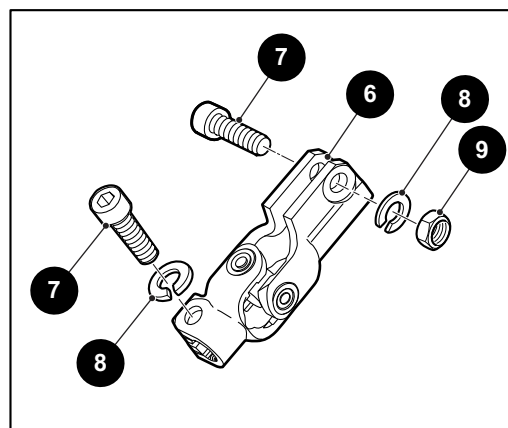
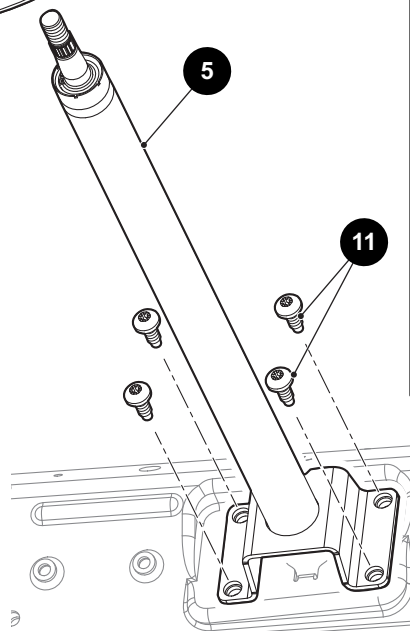
*** Indicates consult Customer Service Department for additional information.

ITEM	PART NO.	1 2 3 4 5	DESCRIPTION	QTY.
32	608089		Control Arm Assembly (Includes Items 33 - 34)	1
33	608090		Control Arm	1
34	608086		Mounting Sleeve (Rubber)	2
35				
36	601340		Control Arm Bushing.....	2
37	602085		Control Arm Carrier Tube.....	2
38				
39	602415		Flanged Hex Head Bolt, M10 - 1.5 x 80mm Lg	2
40	600525		Lock Nut, M10 - 1.5	2
41				
42	601754		Flanged Hex Head Bolt, M10 - 1.5 x 100mm Lg	1
43	600525		Lock Nut, M10 - 1.5	1
44				
45	618329		Steering Rack Assembly.....	1
46	602020		Socket Head Bolt, M10 - 1.5 x 50mm Lg, Grade 8.8.....	3
47				
48	608005		Castle Nut (SS), M12 - 1.25	2
49	10387G2		Cotter Pin, .094" x 1"	2

FRONT SUSPENSION AND STEERING



4 Steering Column Assembly includes items 5 - 9



FRONT SUSPENSION AND STEERING

THE USE OF NON U.L. PARTS WILL VOID ANY U.L. LISTING.

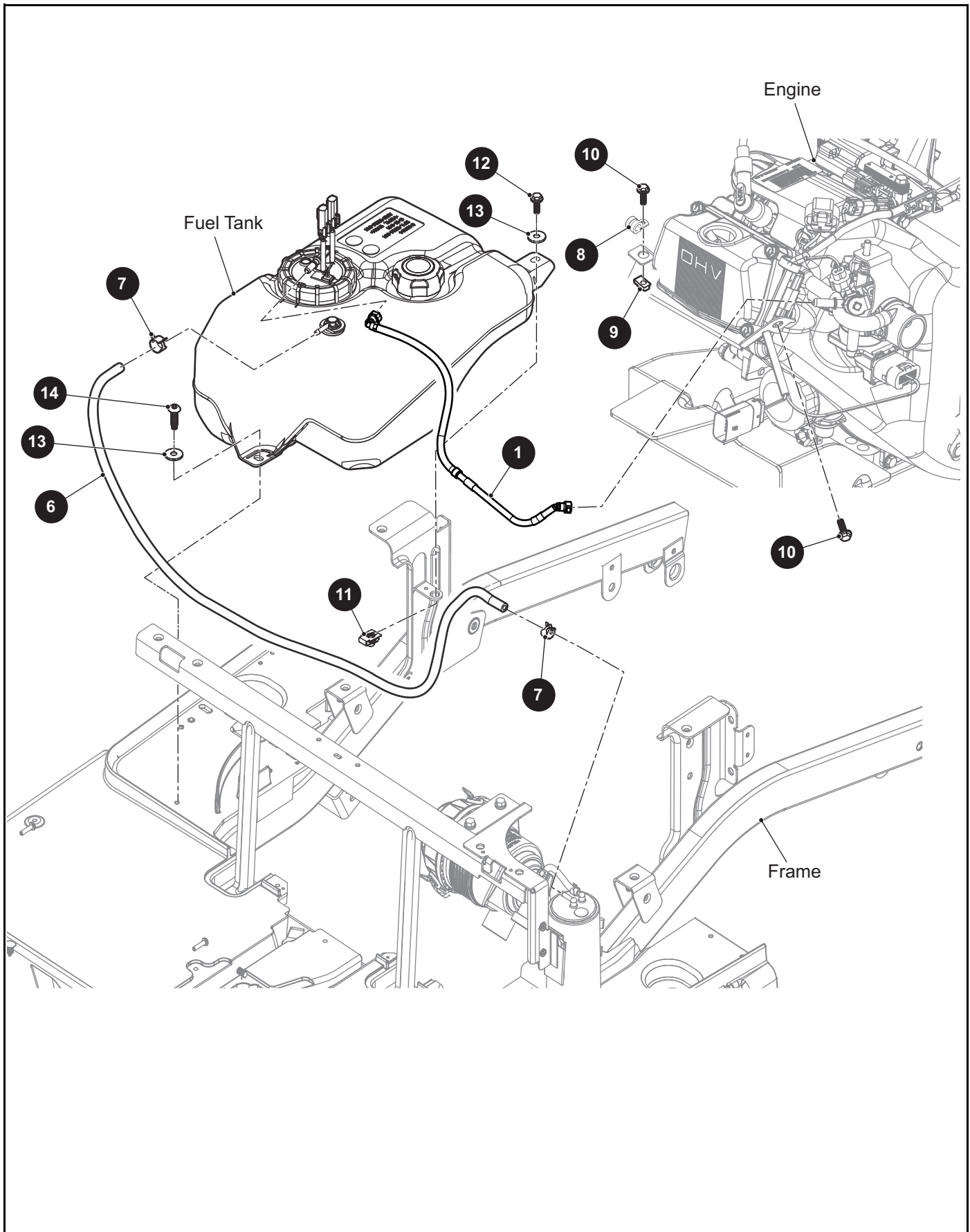
When ordering parts, please specify the model and serial number of the product.

* Indicates a component that is not available as an individual part.

*** Indicates consult Customer Service Department for additional information.

ITEM	PART NO.	1 2 3 4 5	DESCRIPTION	QTY.
1	602980		Steering Wheel.....	1
2	601709		Lock Nut, M6 - 2.....	1
3				
4	600333		Steering Column Assembly (Includes Items 5 - 9).....	1
5	608117		Steering Column	1
6	608114		Steering Yoke	1
7	608653		Socket Head Bolt, M10 - 1.5 x 35mm Lg.....	2
8	608654		Lock Washer, 10.5mm	2
9	608655		Hex Nut, M10 - 1.5	1
10				
11	602572		Pan Head Taptite Bolt, M10 - 1.5 x 25mm Lg, Grade 8.8	4
12	607925		Scorecard Holder	1

FUEL SYSTEM



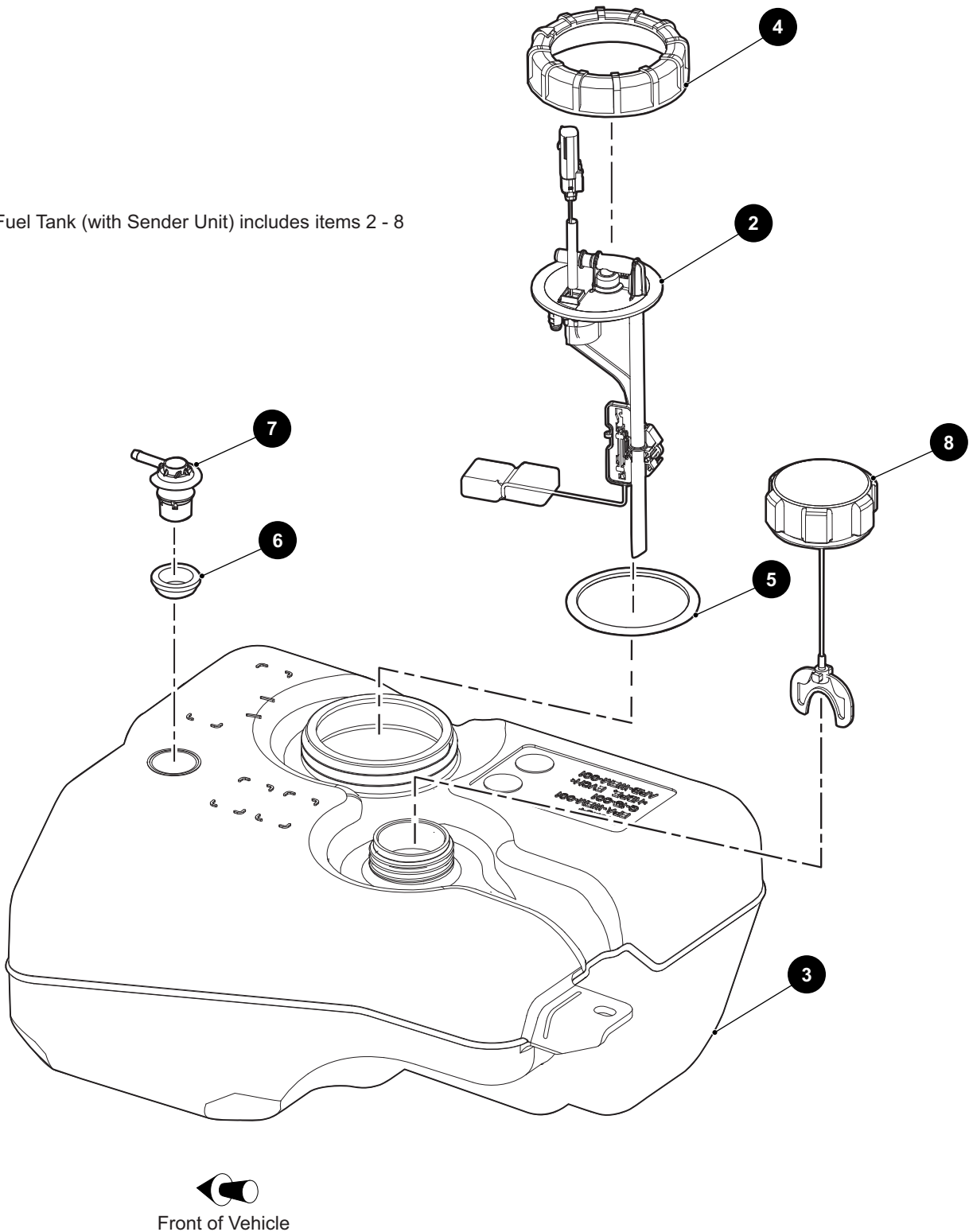
FUEL SYSTEM

THE USE OF NON U.L. PARTS WILL VOID ANY U.L. LISTING.
 When ordering parts, please specify the model and serial number of the product.
 * Indicates a component that is not available as an individual part.
 *** Indicates consult Customer Service Department for additional information.

ITEM	PART NO.	1 2 3 4 5	DESCRIPTION	QTY.
1	666351		Fuel Hose	1
2				
3				
4				
5				
6	27184G05		Fuel Tube, .25 I.D x .5 O.D x 42" Lg	1
7	18292G1		Tubing Clamp	1
8	664747		Tubing Clamp	2
9	602409		Barrel Clip, M6 - 1	2
10	606264		Flanged Hex Head Bolt, M6 - 1 x 20mm Lg, Grade 8.8	2
11	603818		Barrel Clip, M10 - 1.5	1
12	603799		Flanged Hex Head Bolt, M10 - 1.5 x 25mm Lg, Grade 8.8	1
13	604066		Flat Washer, M10	2
14	649804		Button Head Torx Screw, M8 - 3.5 x 30mm Lg.....	1

FUEL SYSTEM

1 Fuel Tank (with Sender Unit) includes items 2 - 8



FUEL SYSTEM

THE USE OF NON U.L. PARTS WILL VOID ANY U.L. LISTING.

When ordering parts, please specify the model and serial number of the product.

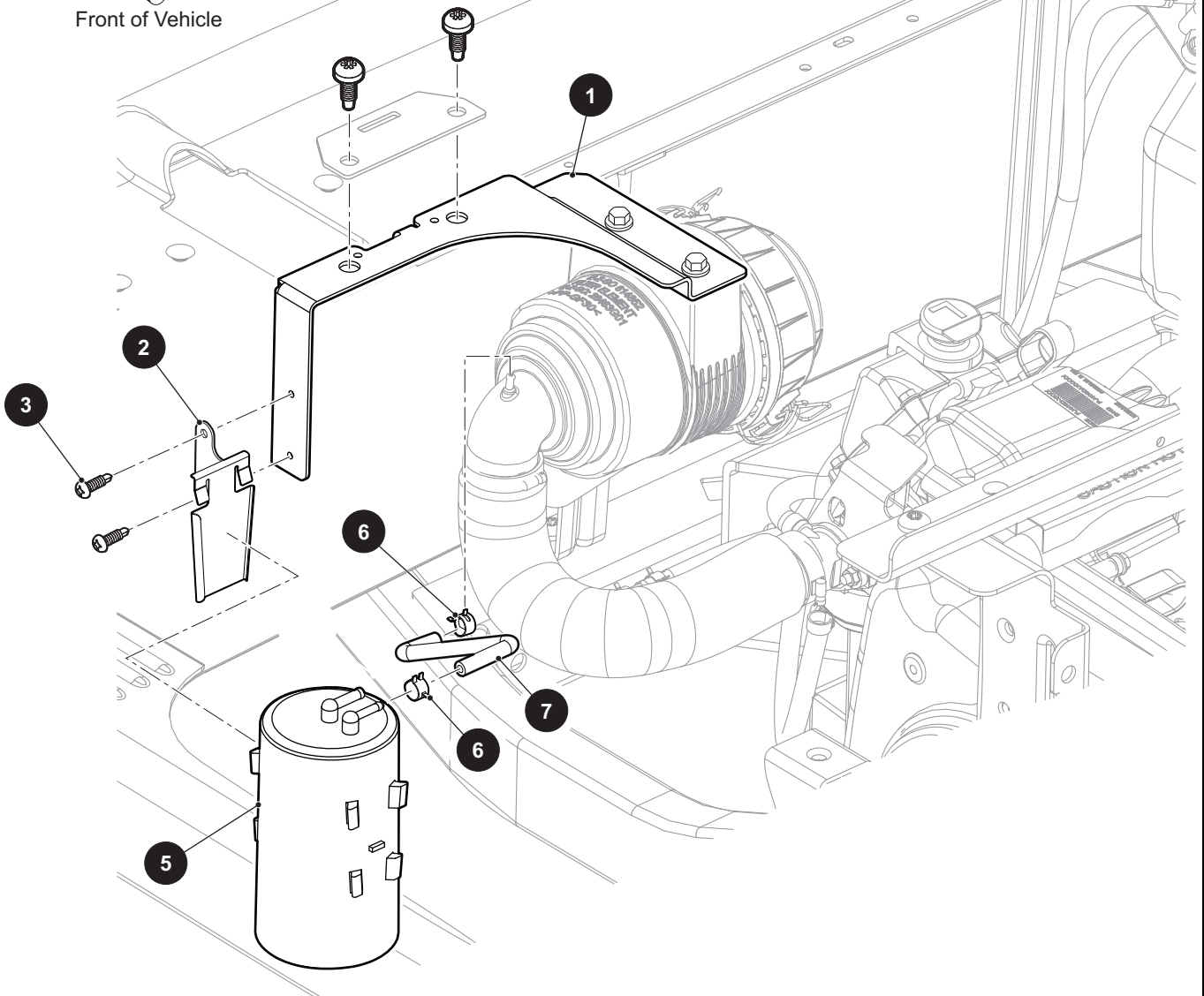
* Indicates a component that is not available as an individual part.

*** Indicates consult Customer Service Department for additional information.

ITEM	PART NO.	1 2 3 4 5	DESCRIPTION	QTY.
1	646833		Fuel Tank (with Sender Unit) (Includes Items 2 - 8)	1
2	646358		Fuel Pickup with Sender Assembly	1
3	646284		Fuel Tank	1
4	646837		Fuel Pump Lid	1
5	646838		Mason Jar Seal.....	1
6	647810		Rollover Valve Grommet.....	1
7	647809		Rollover Valve.....	1
8	670898		Fuel Tank Cap (Ratchet).....	1

4 Carbon Canister Assembly includes items 5 -7

Front of Vehicle



THE USE OF NON U.L. PARTS WILL VOID ANY U.L. LISTING.

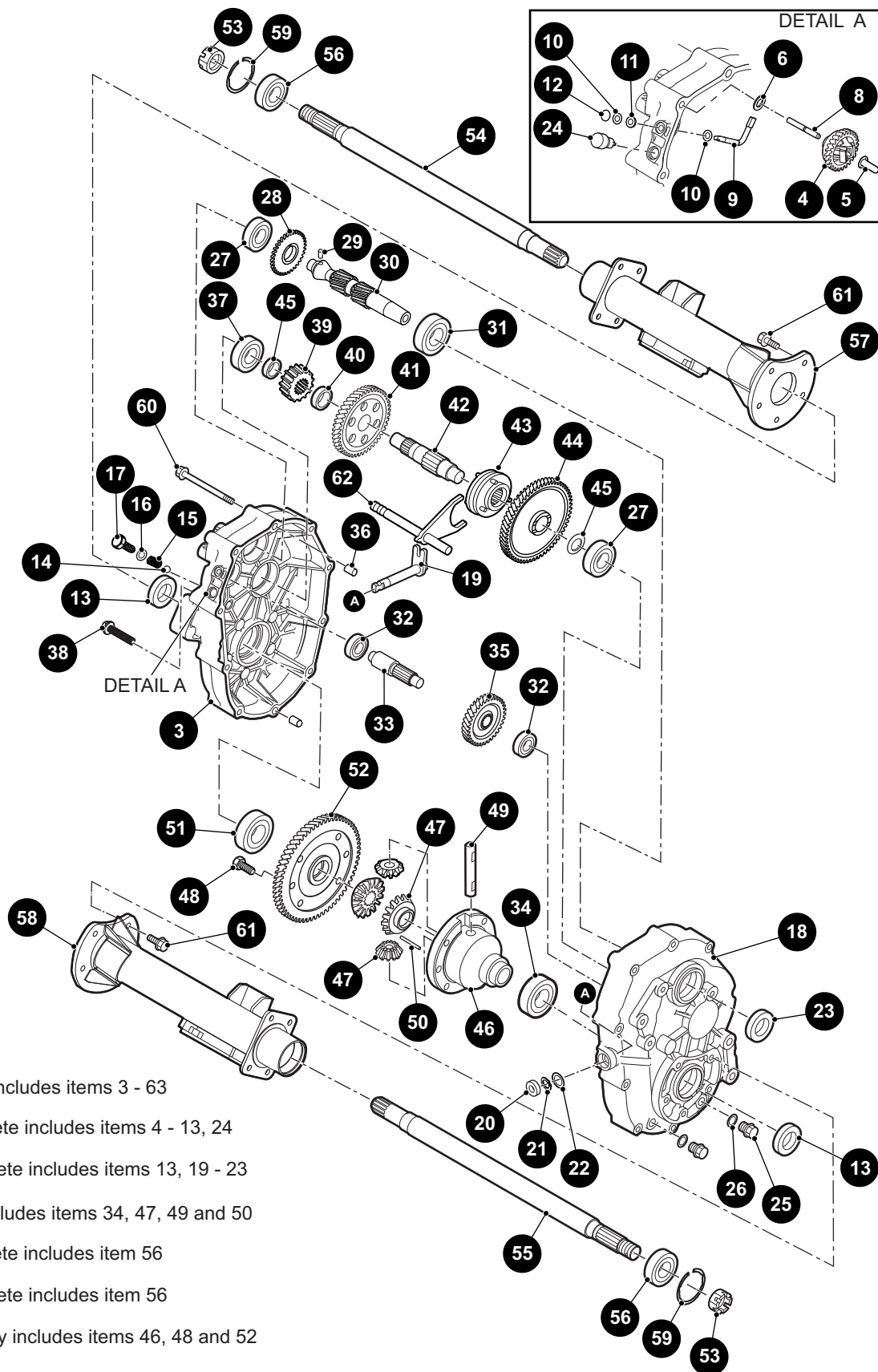
When ordering parts, please specify the model and serial number of the product.

* Indicates a component that is not available as an individual part.

*** Indicates consult Customer Service Department for additional information.

ITEM	PART NO.	1 2 3 4 5	DESCRIPTION	QTY.
1	659882		Canister Bracket.....	1
2	606310		Canister Mounting Bracket.....	1
3	00106G6		Pan Head Phillips Screw, #12 - 24 x 3/4" Lg.....	2
4	662808		Carbon Canister Assembly (Includes Items 5 - 7).....	1
5	606071		Carbon Canister	1
6	606963		Hose Clamp, 3/16" I.D.....	2
7	692912		Hose, 3/16" I.D.....	1

REAR AXLE



- 1 Rear Axle, 11.47:1 includes items 3 - 63
- 3 Axle Case L Complete includes items 4 - 13, 24
- 18 Axle Case R Complete includes items 13, 19 - 23
- 46 Differential Case includes items 34, 47, 49 and 50
- 54 Axle Shaft L Complete includes item 56
- 55 Axle Shaft R Complete includes item 56
- 63 Differential Assembly includes items 46, 48 and 52

REAR AXLE

THE USE OF NON U.L. PARTS WILL VOID ANY U.L. LISTING.

When ordering parts, please specify the model and serial number of the product.

* Indicates a component that is not available as an individual part.

*** Indicates consult Customer Service Department for additional information.

ITEM	PART NO.	1 2 3 4 5	DESCRIPTION	QTY.
1	670468		Rear Axle, 11.47:1 (Includes Items 3 - 63)	1
2				
3	639859		Axle Case L Complete (Includes Items 4 - 13, 24)	1
4	665887		Governor Gear	1
5	639689		Governor Sleeve	1
6	607904		Flat Washer	1
7				
8	639698		Governor Gear Shaft.....	1
9	639707		Governor Shaft.....	1
10	639736		Flat Washer, 6mm	2
11	607911		Oil Seal, 6 x 10 x 2.5mm	1
12	607913		Retaining Ring, E5	1
13	639738		Oil Seal, 24 x 40 x 9mm	2
14	26818G01		Steel Ball	1
15	26819G01		Spring	1
16	26831G01		Gasket, 10	1
17	26820G01		Flanged Hex Head Bolt, M10 - 1.25 x 12mm Lg	1
18	639865		Axle Case R Complete (Includes Items 13, 19 - 23)	1
19	639746		Select Shaft.....	1
20	607915		Oil Seal, 13 x 22 x 5mm	1
21	607916		Snap Ring, 13mm	1
22	607917		Spacer, 13 x 1mm	1
23	640093		Oil Seal, 28 x 47 x 9mm	1
24	607919		Air Breather	1
25	639747		Oil Drain Plug	2
26	639748		Gasket, 14mm	2
27	26785G01		Ball Bearing (6204).....	2
28	665888		Governor Gear,34.....	1
29	607920		Pin, 6 x 12L.....	1
30	639750		Input Shaft	1
31	607922		Ball Bearing (62/28).....	1

REAR AXLE

THE USE OF NON U.L. PARTS WILL VOID ANY U.L. LISTING.

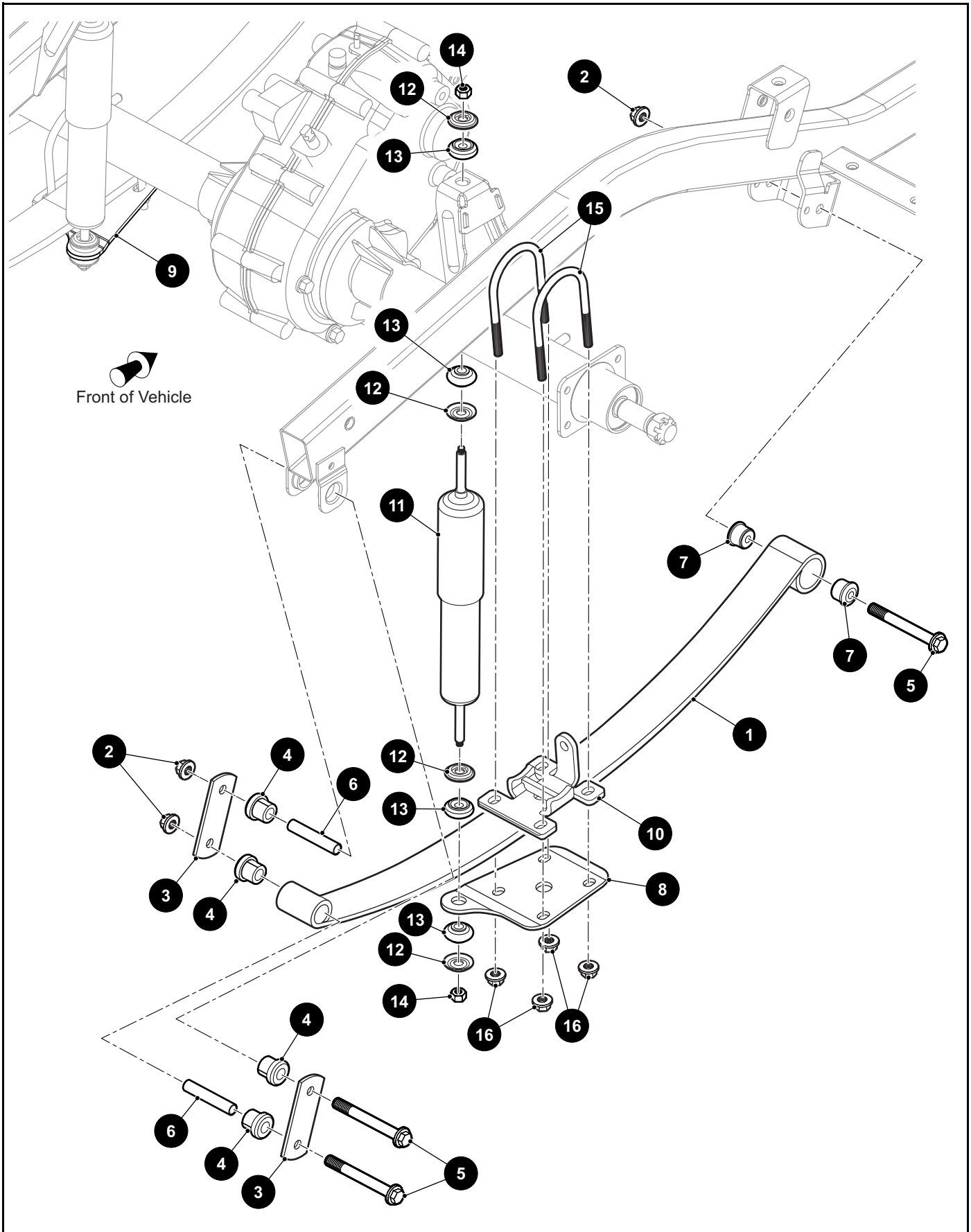
When ordering parts, please specify the model and serial number of the product.

* Indicates a component that is not available as an individual part.

*** Indicates consult Customer Service Department for additional information.

ITEM	PART NO.	1	2	3	4	5	DESCRIPTION	QTY.
32	639868						Ball Bearing (TMB202)	2
33	639755						Counter Shaft	1
34	640744						Ball Bearing (6006)	1
35	639758						Gear, 34.....	1
36	639869						Knock Pipe	2
37	639760						Ball Bearing (6304).....	2
38	639768						Flanged Hex Head Bolt, M8 - 1.25 x 40mm Lg	1
39	639769						Gear, 17.....	1
40	28689G01						Collar, 24 x 7.5mm	1
41	639771						Gear, 52.....	1
42	670697						Center Shaft	1
43	639774						Clutch Pin	1
44	670696						Gear, 61.....	1
45	639797						Spacer, 20 x 2mm	2
46	639872						Differential Case (Includes Items 34, 47, 49 and 50).....	1
47	639800						Differential Pair Gear.....	1
48	26808G01						Hex Head Bolt, M10 - 1.25 x 26mm Lg.....	6
49	28723G01						Differential Shaft.....	1
50	28697G01						Spring Pin, 4 x 40L.....	1
51	639801						Ball Bearing (6007)	1
52	640739						Gear, 60 Complete (Includes Item 51).....	1
53	607938						Castle Nut, M22 - 1.5	2
54	639876						Axle Shaft L Complete (Includes Item 56).....	1
55	639881						Axle Shaft R Complete (Includes Item 56)	1
56	639836						Ball Bearing (6205DD).....	2
57	607939						Axle Case L Complete.....	1
58	607940						Axle Case R Complete	1
59	26814G01						Snap Ring, 52mm.....	2
60	639839						Flanged Hex Head Bolt, M8 - 1.25 x 60mm Lg	9
61	639840						Flanged Hex Head Bolt, M10 - 1.25 x 25mm Lg	10
62	639844						Shift Shaft Complete	1
63	639847						Differential Assembly (Includes Items 46, 48 and 52).....	1

REAR SUSPENSION



REAR SUSPENSION

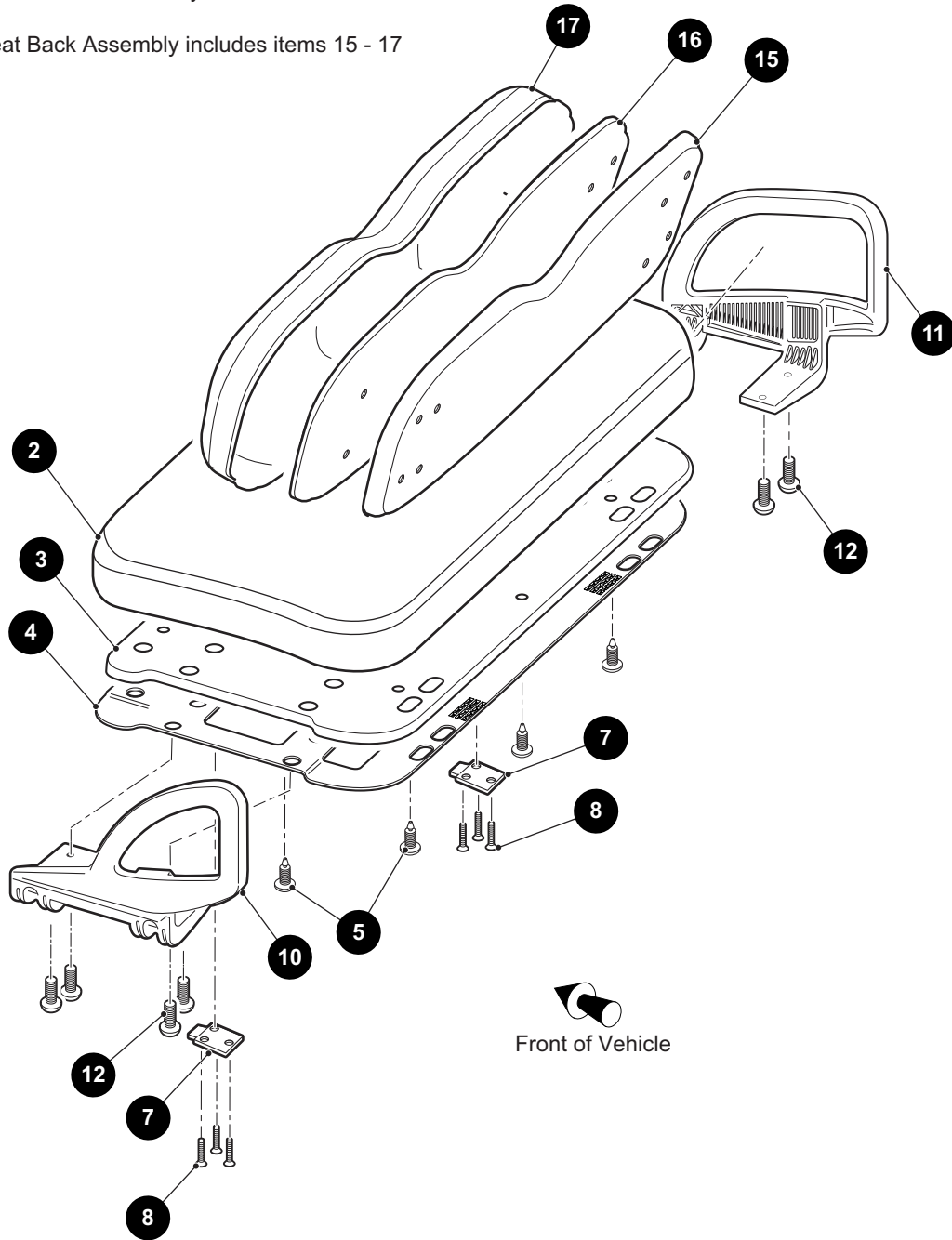
THE USE OF NON U.L. PARTS WILL VOID ANY U.L. LISTING.
 When ordering parts, please specify the model and serial number of the product.
 * Indicates a component that is not available as an individual part.
 *** Indicates consult Customer Service Department for additional information.

ITEM	PART NO.	1 2 3 4 5	DESCRIPTION	QTY.
1	604494		Heavy Duty Leaf Spring	1
2	614974		Flanged Hex Nut, M10 - 1.5	3
3	652245		Shackle Plate	2
4	624030		Flanged Bushing	4
5	601754		Flanged Hex Head Bolt, M10 - 1.5 x 100mm Lg	3
6	620161		Split Spacer (Steel)	3
7	620160		Flanged Bushing (Urethane)	2
8	625658		Shock Mount Plate (Passenger Side)	1
9	625657		Shock Mount Plate (Driver Side)	1
10	626422		Axle Support Bracket	1
11	76418G01		Shock Absorber	2
12	10435G1		Shock Absorber Washer, .406" x 1.25" x .22"	4
13	10194G1		Rubber Bushing	4
14	00532G6		Hex Nut, 3/8" - 24	2
15	632103		U-bolt, 68mm Dia x 45mm x 110mm Lg	2
16	600525		Lock Nut, M10 - 1.5	4

SEATING

1 Seat Bottom Assembly includes items 2 - 12

14 Seat Back Assembly includes items 15 - 17



THE USE OF NON U.L. PARTS WILL VOID ANY U.L. LISTING.

When ordering parts, please specify the model and serial number of the product.

* Indicates a component that is not available as an individual part.

*** Indicates consult Customer Service Department for additional information.

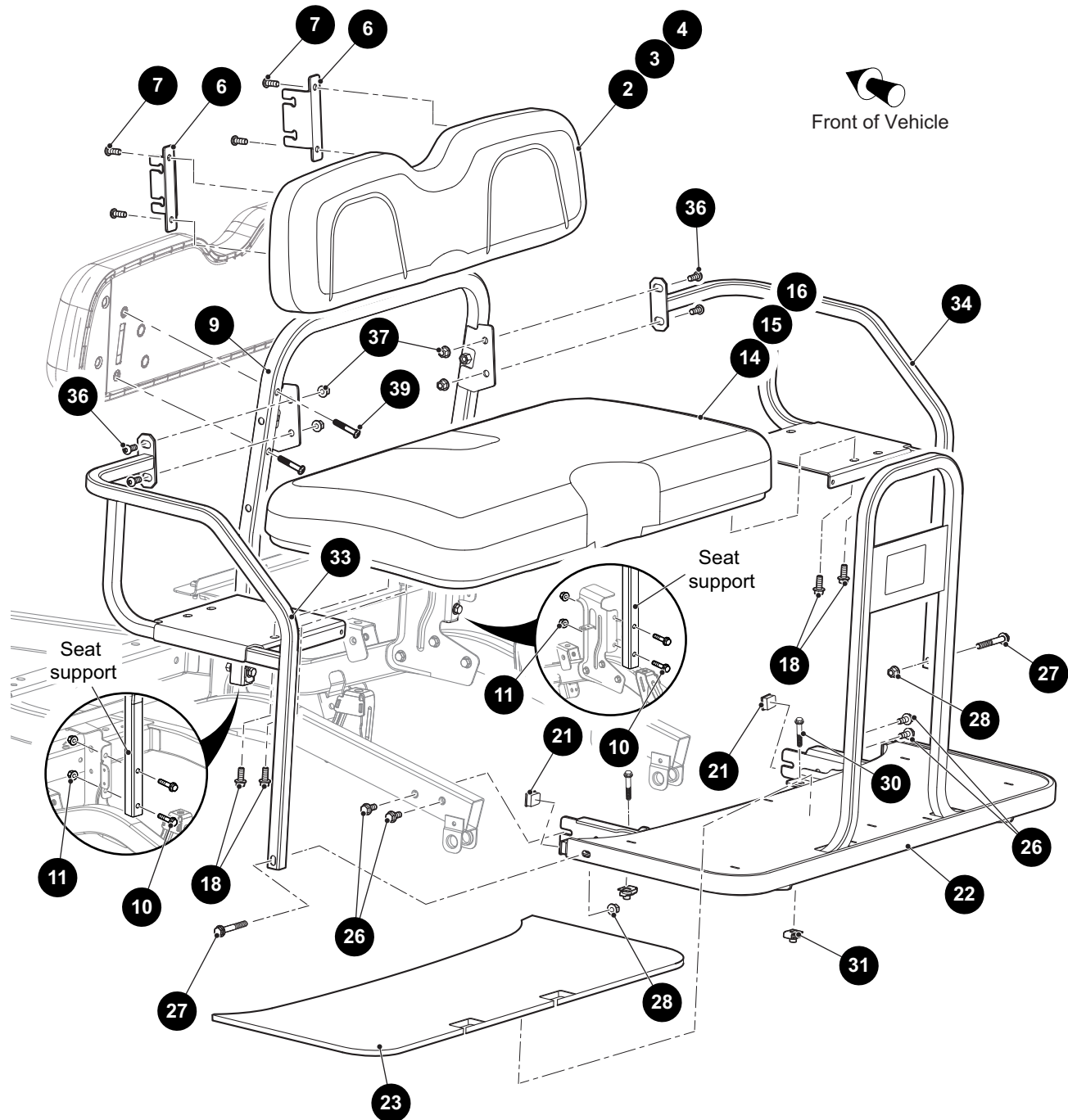
ITEM	PART NO.	1 2 3 4 5	DESCRIPTION	QTY.
1	***		Seat Bottom Assembly (Includes Items 2 - 12) 629269G1502 Stone Beige 629269G1501 Oyster 629269G1506 Black 629269G1504 Gray	1
2	***		Vinyl and Foam Seat Bottom 644819G02 Stone Beige 644819G01 Oyster 644819G06 Black 644819G04 Gray	1
3	644351		Wooden Base Assembly.....	1
4	602551		Cover Plate.....	1
5	16816G2		Ratchet Rivet, .25" x .887".....	4
6				
7	71610G01		Seat Hinge.....	1
8	00720G08		Flat Head Phillips Tapping Screw, #12 - 14 x 1" Lg.....	3
9				
10	617645		Hip Restraint (Driver Side).....	1
11	617644		Hip Restraint (Passenger Side).....	1
12	615417		Button Head Torx Bolt, M10 - 1.5 x 25mm Lg.....	4
13				
14	***		Seat Back Assembly (Includes Items 15 - 17)..... 641897G0002 Stone Beige 641897G0001 Oyster 641897G0006 Black 641897G0004 Gray	1
15	605529		Cover (Plastic) (Black).....	1
16	644268		Base Assembly.....	1
17	***		Vinyl Cover and Foam 644820G02 Stone Beige 644820G01 Oyster 644820G06 Black 644820G04 Gray	1

SEATING

1 Seat Back Assembly
includes items 2 - 4

20 Floorboard Assembly (Fixed Seat)
includes items 21 - 23

13 Seat Bottom Assembly (Fixed)
includes items 14 - 16



THE USE OF NON U.L. PARTS WILL VOID ANY U.L. LISTING.

When ordering parts, please specify the model and serial number of the product.

* Indicates a component that is not available as an individual part.

*** Indicates consult Customer Service Department for additional information.

ITEM	PART NO.	1 2 3 4 5	DESCRIPTION	QTY.
1	***		Seat Back Assembly (Includes Items 2 - 4)..... 641897G0001 Oyster 641897G0002 Stone Beige 641897G0006 Black 641897G0004 Gray	1
2	***		Vinyl Cover and Foam 644820G02 Stone Beige 644820G01 Oyster 644820G06 Black 644820G04 Gray	1
3	605529		Cover (Plastic)	1
4	644268		Base Assembly	1
5				
6	606286		Rear Seat Support Bracket	1
7	600530		Button Head Torx Bolt, M10 - 1.5 x 25mm Lg, Grade 8.8	2
8				
9	604473		Seat Support	1
10	603800		Flanged Hex Head Bolt, M10 - 1.5 x 50mm Lg, Grade 8.8	4
11	600525		Flanged Lock Nut, M10 - 1.5	4
12				
13	***		Seat Bottom Assembly (Fixed) (Includes Items 14 - 16) 608010 Oyster 605501 Stone Beige 615170 Black 671495 Gray	1
14	***		Vinyl Cover and Foam 600221 Stone Beige 608007 Oyster 615169 Black 669919 Gray	1
15	605502		Base Assembly	1
16	605503		Seat Bottom (Foam)	1
17				
18	603799		Flanged Hex Head Bolt, M10 - 1.5 x 25mm Lg, Grade 8.8	4
19				
20	642444G01		Floorboard Assembly (Fixed Seat) (Includes Items 21 - 23).....	1

SEATING

THE USE OF NON U.L. PARTS WILL VOID ANY U.L. LISTING.

When ordering parts, please specify the model and serial number of the product.

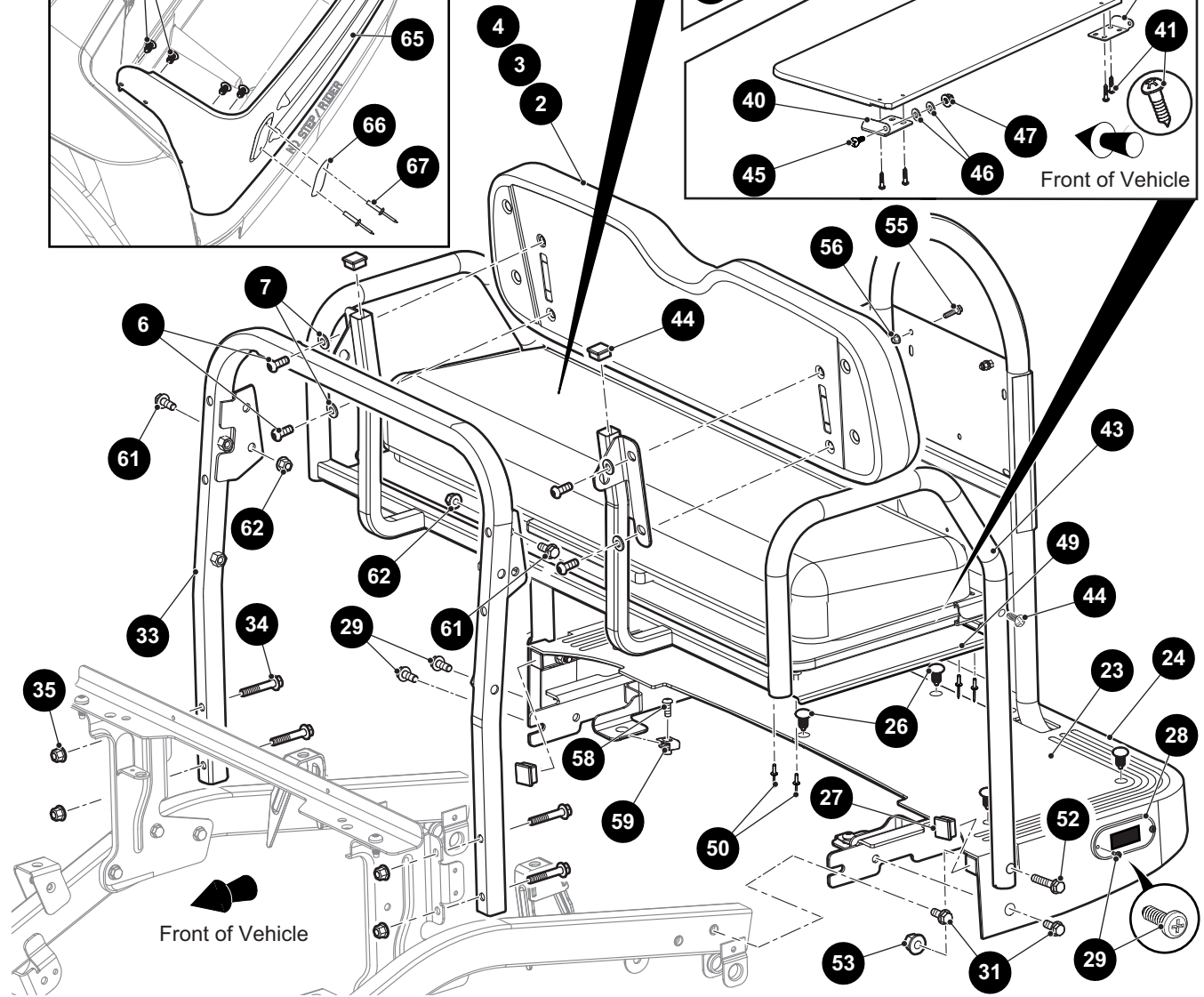
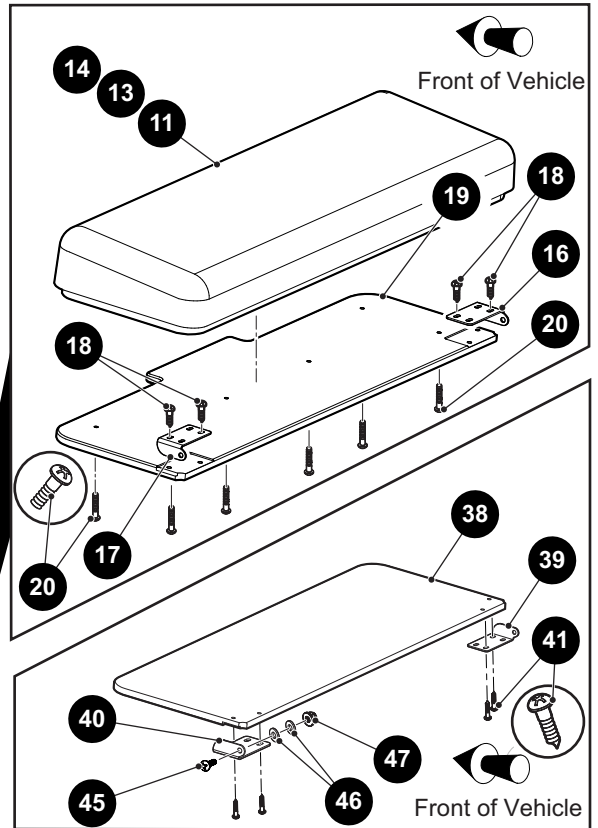
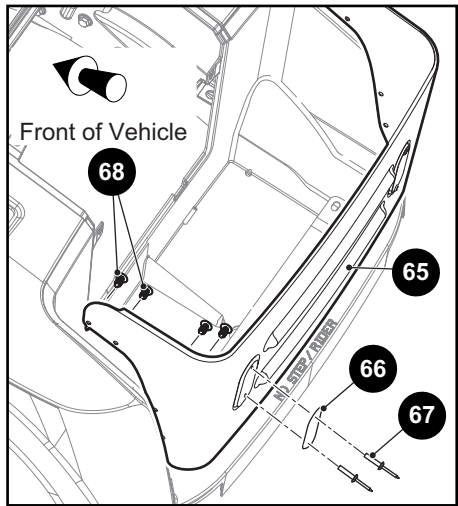
* Indicates a component that is not available as an individual part.

*** Indicates consult Customer Service Department for additional information.

ITEM	PART NO.	1	2	3	4	5	DESCRIPTION	QTY.
21	19853G1						Tube Cap, 1" x 1"	2
22	638346G01						Footrest Weldment.....	1
23	640653						Grip Tape.....	1
24								
25								
26	603799						Flanged Hex Head Bolt, M10 - 1.5 x 25mm Lg, Grade 8.8	4
27	602415						Flanged Hex Head Bolt, M10 - 1.5 x 80mm Lg	2
28	600525						Lock Nut, M10 - 1.5	2
29								
30	603800						Flanged Hex Head Bolt, M10 - 1.5 x 50mm Lg, Grade 8.8	2
31	603818						Barrel Clip, M10 - 1.5.....	2
32								
33	604723						Arm Rest (Driver Side)	1
34	604725						Arm Rest (Passenger Side).....	1
35								
36	600530						Button Head Torx Bolt, M10 - 1.5 x 25mm Lg, Grade 8.8.....	2
37	600525						Lock Nut, M10 - 1.5	2
38	17618G1						Nylon Clamp, 8" Lg (Not Illustrated)	2
39	600527						Button Head Torx Bolt, M10 - 1.5 x 60mm Lg, Grade 8.8.....	4

SEATING

- 1** Seat Back Assembly
includes items 2 - 4
- 9** Seat Bottom Assembly (Flip)
includes items 10 - 20
- 10** Seat Bottom Assembly
includes items 11 - 14
- 23** Floorboard Assembly (Flip Seat)
includes items 24 - 29
- 37** Deck Bed Assembly
includes items 38 - 41
- 64** Bagwell Closeout Assembly
includes items 65 - 67



THE USE OF NON U.L. PARTS WILL VOID ANY U.L. LISTING.

When ordering parts, please specify the model and serial number of the product.

* Indicates a component that is not available as an individual part.

*** Indicates consult Customer Service Department for additional information.

ITEM	PART NO.	1 2 3 4 5	DESCRIPTION	QTY.
1	***		Seat Back Assembly (Includes Items 2 - 4)..... 641897G0002 Stone Beige 641897G0001 Oyster 641897G0006 Black 641897G0004 Gray	1
2	605529		Black Plastic Cover.....	1
3	644268		Base Assembly	1
4	***		Vinyl Cover and Foam 644820G02 Stone Beige 644820G01 Oyster 644820G06 Black 644820G04 Gray	1
5				
6	600530		Button Head Torx Bolt, M10 - 1.5 x 25mm Lg, Grade 8.8	4
7	603823		Flat Washer, M10 x 22mm x 2.5mm	4
8				
9	***		Seat Bottom Assembly (Flip) (Includes Items 10 - 20)..... 615193 Stone Beige 615194 Oyster 615137 Black 670860 Gray	1
10	***		Seat Bottom Assembly (Includes Items 11 - 14)..... 615192 Stone Beige 75197G03 Oyster 75197G07 Black 75197G02 Gray	1
11	***		Vinyl Cover..... 615191 Stone Beige 75252G03 Oyster 75252G07 Black 75252G02 Gray	1
12	11394G1		Seat Strap, 5.5" Lg (Not Illustrated)	1
13	75199G01		Foam.....	1
14	75223G01		Plywood.....	1
15	17618G1		Nylon Clamp, 8" Lg (Not Illustrated).....	1
16	75250G01		Seat Hinge (Passenger Side)	1
17	75250G02		Seat Hinge (Driver Side).....	1
18	600922		Truss Head Screw With Patch Lock, 1/4" - 20 x 5/8" Lg.....	2
19	620879		Seat Bed Deck Assembly	1

SEATING

THE USE OF NON U.L. PARTS WILL VOID ANY U.L. LISTING.

When ordering parts, please specify the model and serial number of the product.

* Indicates a component that is not available as an individual part.

*** Indicates consult Customer Service Department for additional information.

ITEM	PART NO.	1	2	3	4	5	DESCRIPTION	QTY.
20	00205G4						Flat Head Screw, 1/4" - 20 x 1 1/2" Lg	6
21								
22								
23	642444G02						Floorboard Assembly (Flip Seat) (Includes Items 24 - 29)	1
24	638346G02						Footrest Weldment (Fixed Seat)	1
25	609851						Footrest Cover	1
26	16816G2						Ratchet Rivet, .25" x .887"	10
27	19853G1						Tube Cap, 1" x 1"	2
28	614973						Oval Reflector (Red)	4
29	608290						Self Tapping Screw, #10 - 16 x 3/4" Lg	2
30								
31	603799						Flanged Hex Head Bolt, M10 - 1.5 x 25mm Lg	4
32								
33	604473						Seat Support	1
34	601414						Flanged Hex Head Bolt, M10 -1.5 x 65mm Lg, Grade 8.8	4
35	600525						Lock Nut, M10 - 1.5	4
36								
37	615138						Deck Bed Assembly (Includes Items 38 - 41).....	1
38	620878						Middle Lifted Deck Bed	1
39	75250G01						Seat Hinge (Passenger Side).....	1
40	75250G02						Seat Hinge (Driver Side)	1
41	600922						Truss Head Screw With Patch Lock, 1/4" - 20 x 5/8" Lg	2
42								
43	617576						Rear Seat Frame (Lifted).....	1
44	19853G1						Tube Cap, 1" x 1"	2
45	00762G8						Truss Head Phillips Screw, 5/16" - 18 x 2" Lg	2
46	17255G1						Flat Washer (Teflon), .360" x .625" x .030"	4
47	00891G3						Lock Nut, 5/16" -18.....	2
48								
49	612620						Rear Facing Seat Close Out.....	1
50	18436G1						Rivet, 1/4" x 3/4"	4

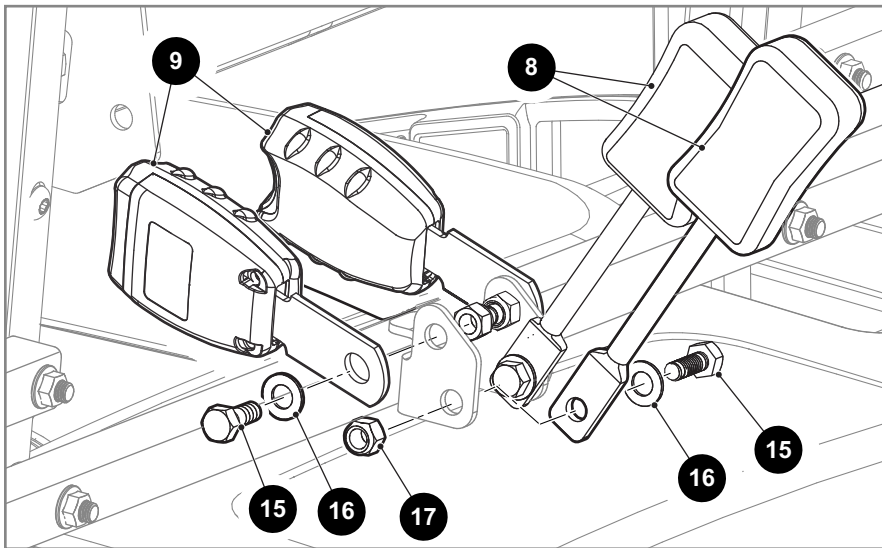
THE USE OF NON U.L. PARTS WILL VOID ANY U.L. LISTING.

When ordering parts, please specify the model and serial number of the product.

* Indicates a component that is not available as an individual part.

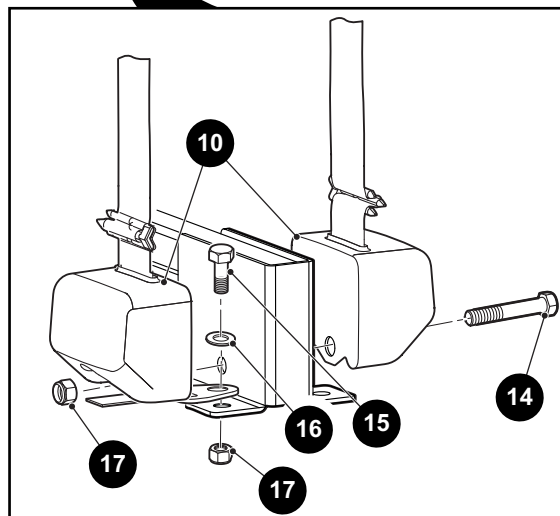
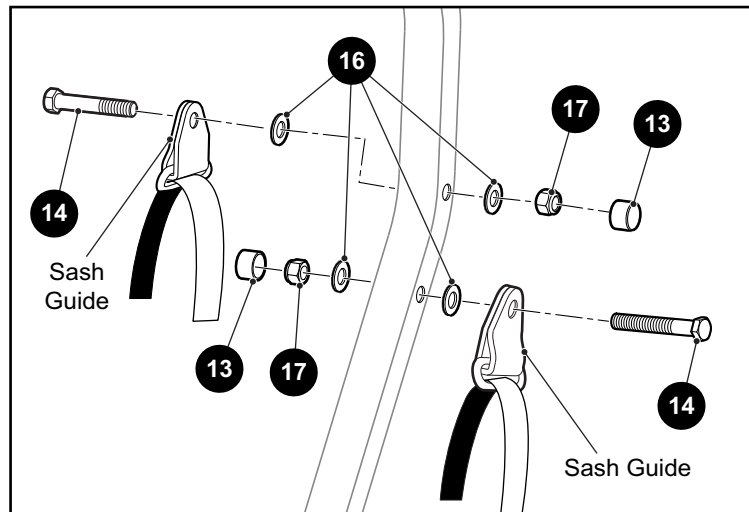
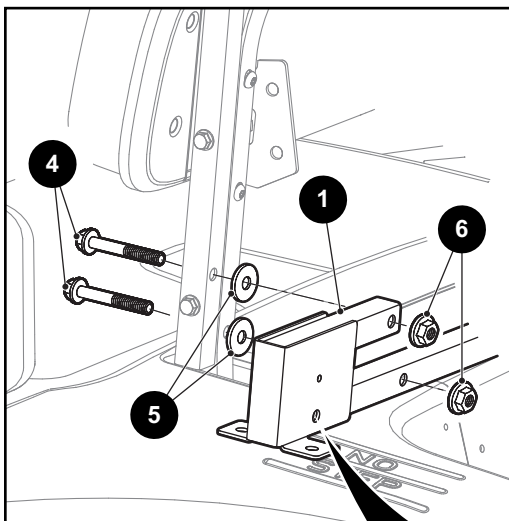
*** Indicates consult Customer Service Department for additional information.

ITEM	PART NO.	1 2 3 4 5	DESCRIPTION	QTY.
51				
52	602415		Flanged Hex Head Bolt, M10 - 1.5 x 80mm Lg.....	2
53	600525		Lock Nut, M10 - 1.5	2
54				
55	73876G01		Flanged Hex Head Bolt, M6 - 1 x 12mm Lg, Grade 8.8.....	2
56	601476		Lock Nut, M6 - 1.....	2
57				
58	600530		Button Head Torx Bolt, M10 - 1.5 x 25mm Lg, Grade 8.8	2
59	603818		Barrel Clip, M10 - 1.5	2
60				
61	603799		Flanged Hex Head Bolt, M10 - 1.5 x 25mm Lg, Grade 8.8.....	2
62	600525		Lock Nut, M10 - 1.5	2
63				
64	643973		Bagwell Closeout Assembly (Includes Items 65 - 67)	1
65	643062		Bagwell Closeout.....	1
66	614973		Oval Reflector (Red).....	2
67	71055G02		Rivet, 3/16"	4
68	16816G2		Ratchet Rivet, .25" x .887"	8



3 Seatbelt Structure Hardware Kit includes items 4 - 6

12 Seatbelt Installation Hardware Kit includes items 13 - 17



THE USE OF NON U.L. PARTS WILL VOID ANY U.L. LISTING.

When ordering parts, please specify the model and serial number of the product.

* Indicates a component that is not available as an individual part.

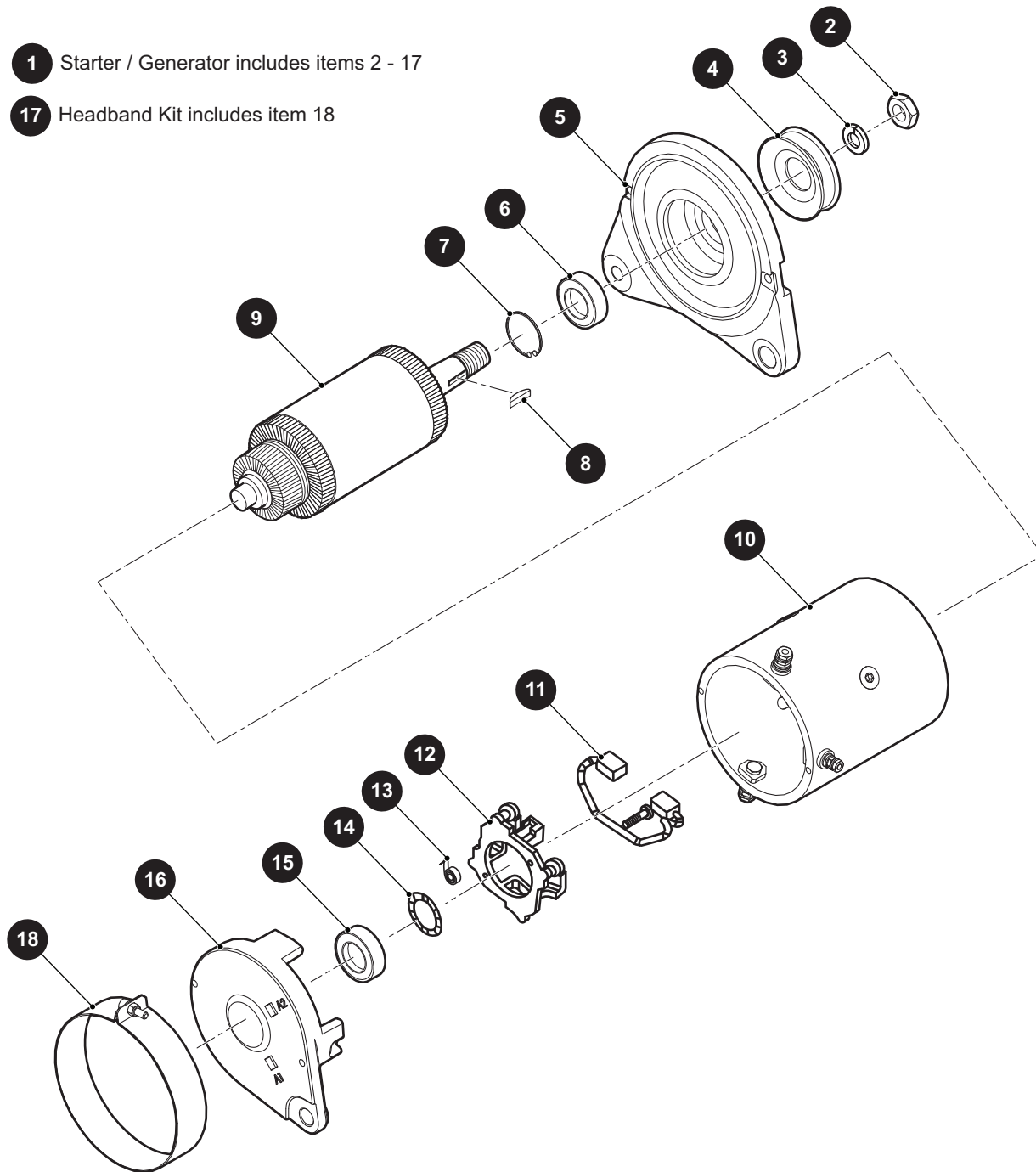
*** Indicates consult Customer Service Department for additional information.

ITEM	PART NO.	1 2 3 4 5	DESCRIPTION	QTY.
1	610739		Seatbelt Weldment.....	1
2				
3	612126		Seatbelt Structure Hardware Kit (Includes Items 4 - 6).....	1
4	602415		Flanged Hex Head Bolt, M10 - 1.5 x 80mm Lg	4
5	600525		Flanged Lock Nut, M10 - 1.5	4
6	604066		Flat Washer (Steel), M10	4
7				
8	609031		Seat Belt Buckle, 9" Lg	2
9	661524		Seat Belt Buckle, 6" Lg	2
10	649131		Seat Belt Retractor Assembly	4
11				
12	612127		Seatbelt Installation Hardware Kit (Includes Items 13 - 17)	1
13	605686		Cap (Vinyl)	4
14	612346		Hex Head Bolt, 7/16" - 20 x 2.5" Lg, Grade 5	2
15	610753		Hex Head Bolt, 7/16" - 20 x 1" Lg, Grade 5	8
16	00560G2		Flat Washer, 7/16"	16
17	00734G3		Lock Nut, 7/16" - 20	14

STARTER AND GENERATOR

1 Starter / Generator includes items 2 - 17

17 Headband Kit includes item 18



STARTER AND GENERATOR

THE USE OF NON U.L. PARTS WILL VOID ANY U.L. LISTING.

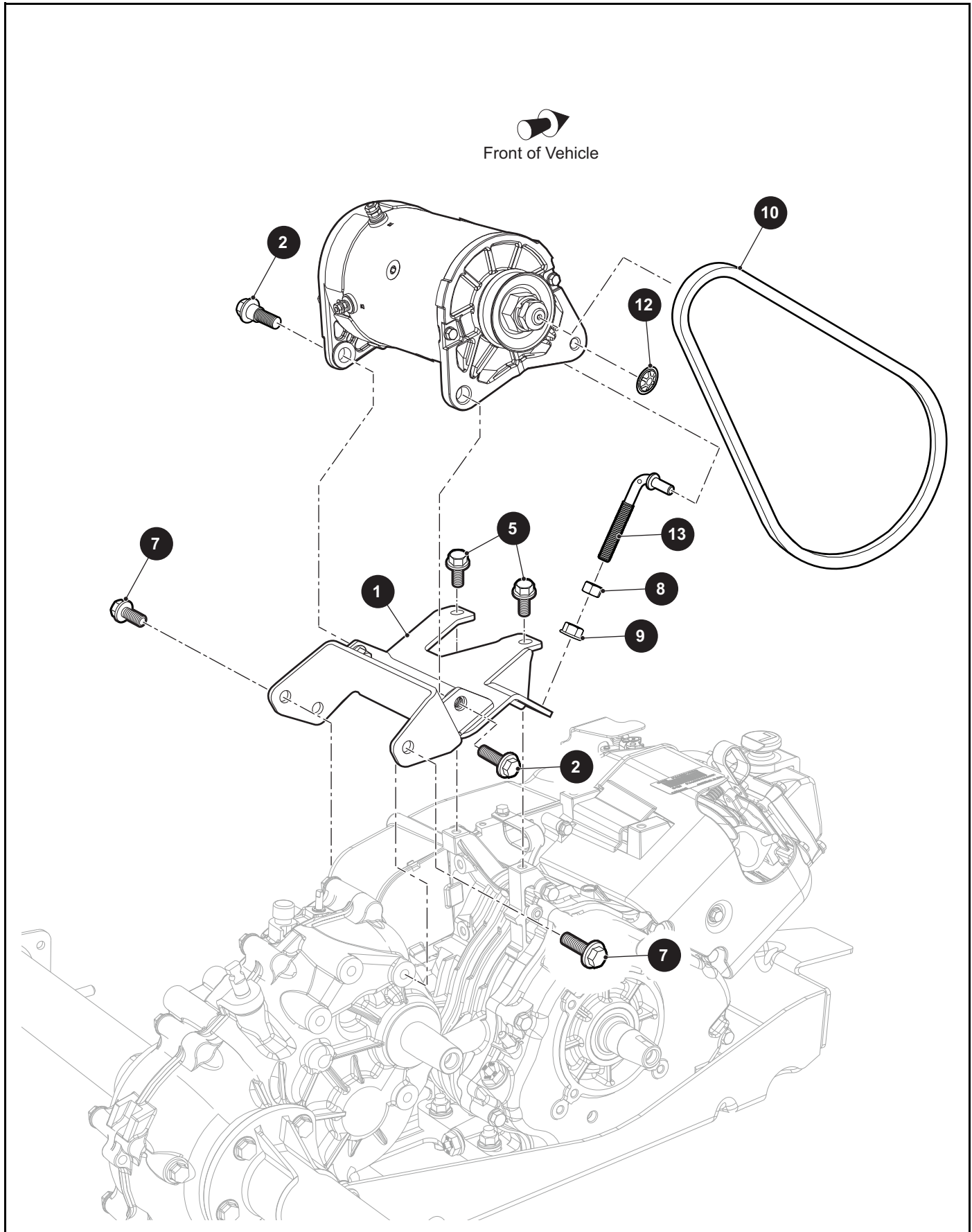
When ordering parts, please specify the model and serial number of the product.

* Indicates a component that is not available as an individual part.

*** Indicates consult Customer Service Department for additional information.

ITEM	PART NO.	1 2 3 4 5	DESCRIPTION	QTY.
1	660379		Starter / Generator (Includes Items 2 - 17)	1
2	612029		Hex Nut.....	1
3	612030		Lock Washer.....	1
4	625716		Pulley, 2.5" O.D.	1
5	654715		Drive End Head	1
6	612033		Bearing	1
7	612034		Retaining Ring	1
8	612035		Woodruff Key	1
9	612036		Armature Assembly	1
10	654716		Frame And Field Assembly.....	1
11	612038		Brush Lead And Terminal Package	1
12	654717		Brush Box Assembly.....	1
13	656659		Brush Spring	4
14	612043		Wavy Washer	1
15	612044		Bearing	1
16	612045		Commutator End Head.....	1
17	658172		Headband Kit (Includes Item 18).....	1
18	654718		Headband.....	1

STARTER AND GENERATOR



STARTER AND GENERATOR

THE USE OF NON U.L. PARTS WILL VOID ANY U.L. LISTING.

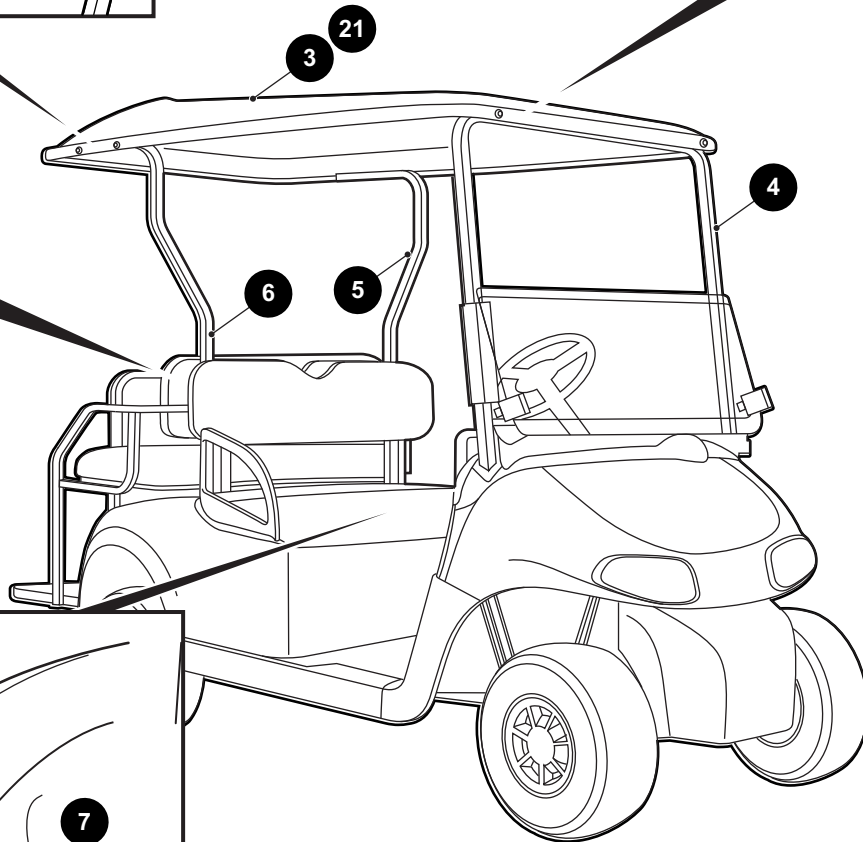
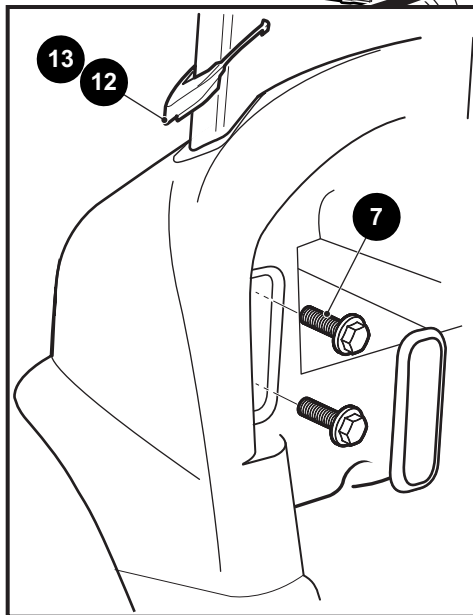
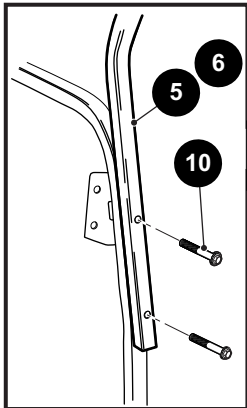
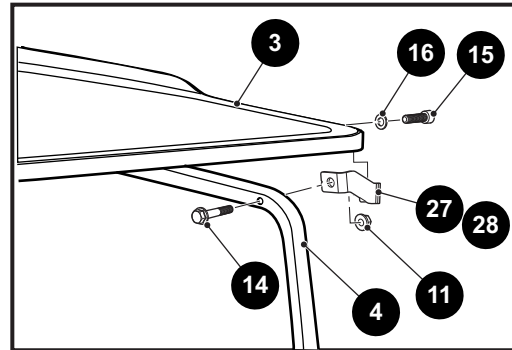
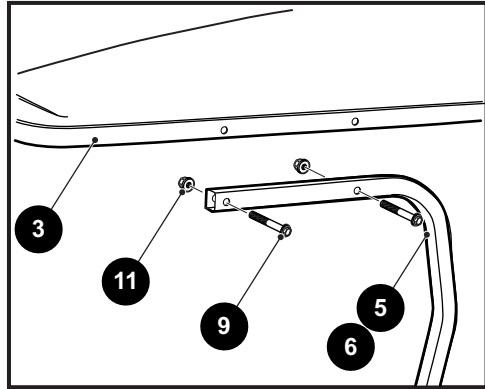
When ordering parts, please specify the model and serial number of the product.

* Indicates a component that is not available as an individual part.

*** Indicates consult Customer Service Department for additional information.

ITEM	PART NO.	1 2 3 4 5	DESCRIPTION	QTY.
1	631972		Starter/Generator Support Bracket	1
2	606235		Flanged Hex Head Bolt, M10 - 1.25 x 20mm Lg.....	2
3				
4				
5	606261		Flanged Hex Head Bolt, M8 - 1.25 x 20mm Lg, Grade 8.8.....	2
6				
7	606256		Flanged Hex Head Bolt, M10 - 1.25 x 25mm Lg, Grade 8.8.....	3
8	606255		Hex Jam Nut, M10 - 1.25	1
9	606274		Flanged Hex Nut, M10 - 1.25	1
10	630587		Starter/generator Belt.....	1
11				
12	12064G6		Push Nut, 5/16"	1
13	629763		Tensioner Bolt	1

WEATHER PROTECTION



- 1 Sun Top Kit, Stone Beige includes items 3 - 18
- 2 Sun Top Kit, Oyster includes items 4 - 18, 21
- 8 Sun Top Hardware Kit includes items 9 - 16
- 18 Sun Top Hardware Kit includes items 19 - 20

WEATHER PROTECTION

THE USE OF NON U.L. PARTS WILL VOID ANY U.L. LISTING.

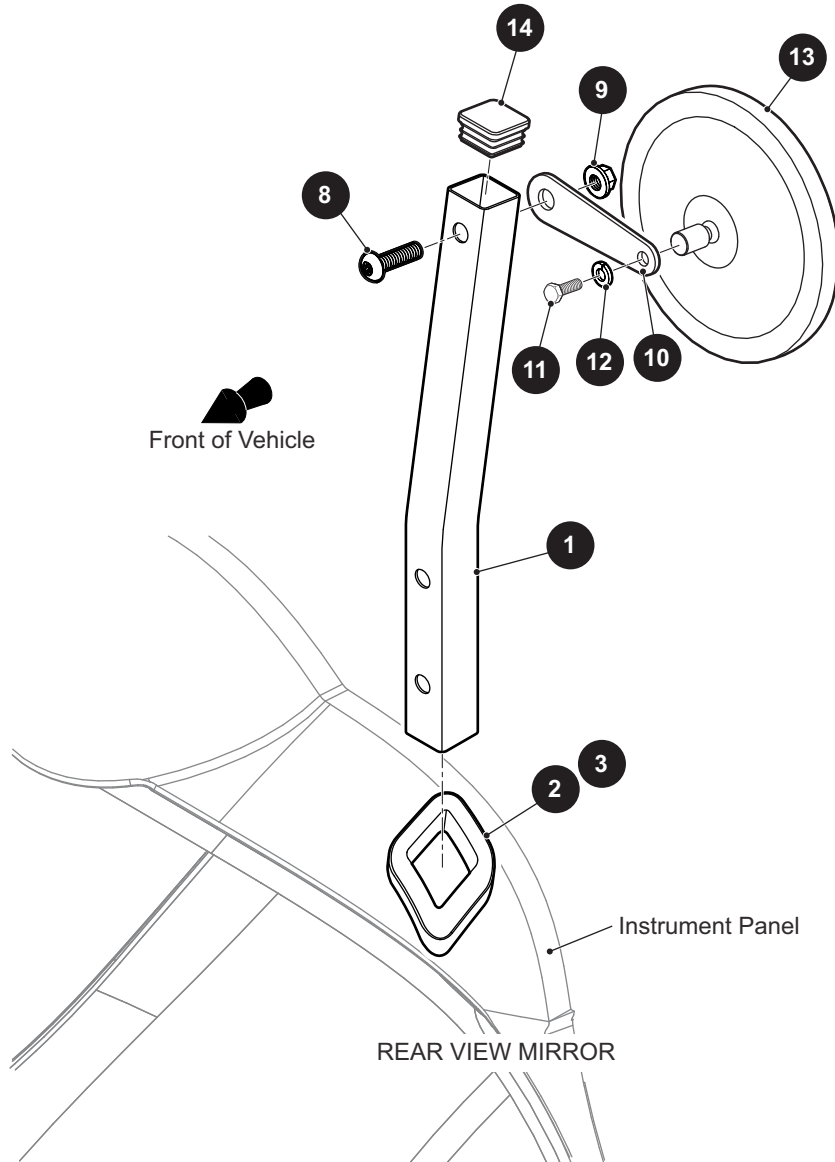
When ordering parts, please specify the model and serial number of the product.

* Indicates a component that is not available as an individual part.

*** Indicates consult Customer Service Department for additional information.

ITEM	PART NO.	1 2 3 4 5	DESCRIPTION	QTY.
1	610461		Sun Top Kit, Stone Beige (Includes Items 3 - 18)	1
2	610462		Sun Top Kit, Oyster (Includes Items 4 -18, 21)	1
3	610434		Sun Top	1
4	603203		Front Strut Tube.....	1
5	604423		Rear Strut (Driver Side).....	1
6	604424		Rear Strut (Passenger Side)	1
7	603800		Flanged Hex Head Bolt, M10 - 1.5 x 50mm Lg, Grade 8.8	2
8	610468		Sun Top Hardware Kit (Includes Items 9 - 16).....	1
9	601414		Flanged Hex Head Bolt, M10 - 1.5 x 65mm Lg, Grade 8.8.....	4
10	602415		Flanged Hex Head Bolt, M10 - 1.5 x 80mm Lg, Grade 12.9.....	4
11	600525		Flanged Lock Nut, M10 - 1.5.....	8
12	602770		Strut Grommet (Driver Side)	1
13	602992		Strut Grommet (Passenger Side).....	1
14	603800		Flanged Hex Head Bolt, M10 - 1.5 x 50mm Lg, Grade 8.8	2
15	608653		Socket Head Bolt, M10 - 1.5 x 35mm Lg	2
16	00560G1		Flat Washer, 3/8"	2
17				
18	610472		Sun Top Hardware Kit (Includes Items 19 - 20).....	1
19	610424		Bracket (Driver Side).....	1
20	610425		Bracket (Passenger Side)	1
21	610433		Sun Top	1
22	664522G02		GPS Mounting System (Not Illustrated)	1

WEATHER PROTECTION



WEATHER PROTECTION

THE USE OF NON U.L. PARTS WILL VOID ANY U.L. LISTING.

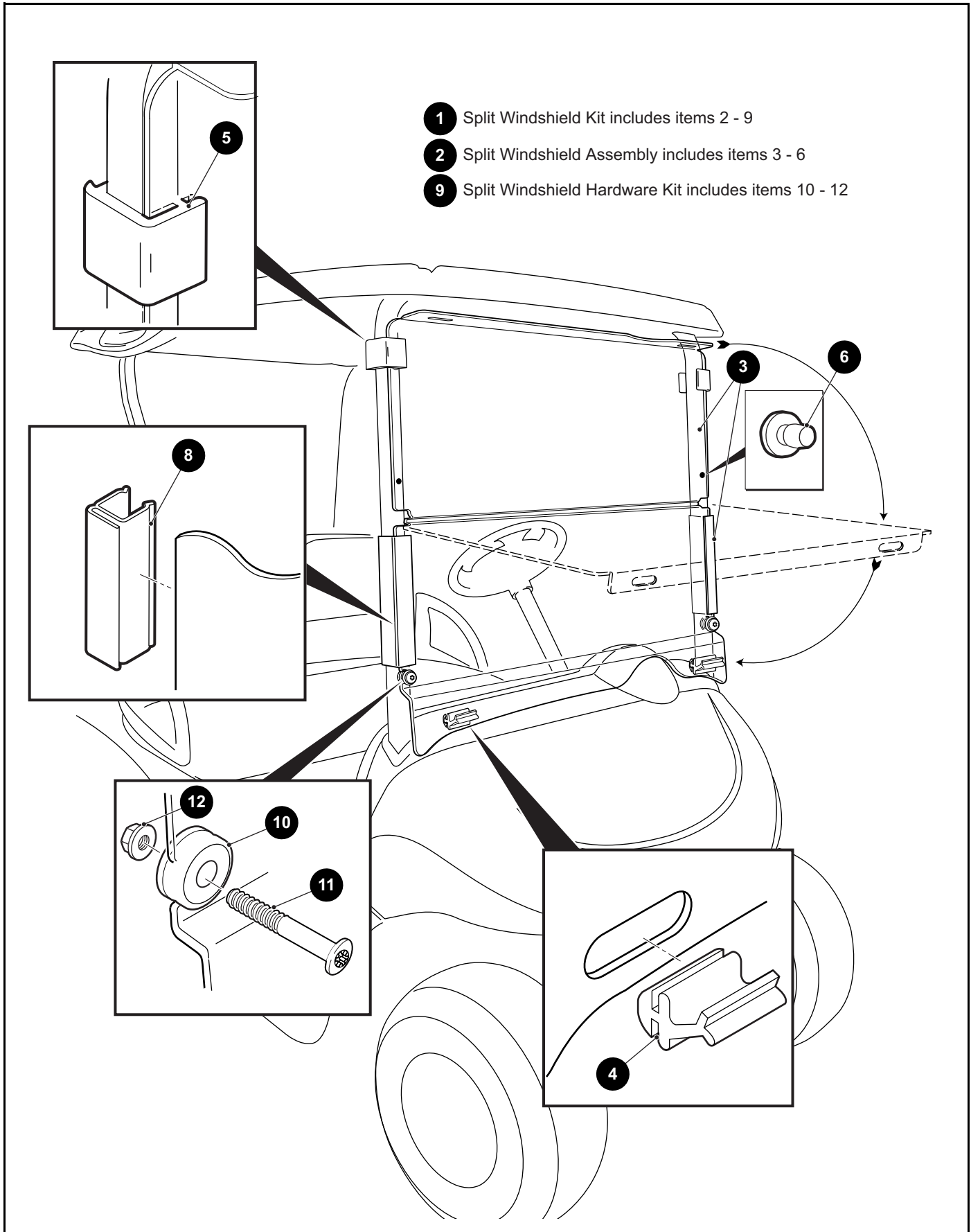
When ordering parts, please specify the model and serial number of the product.

* Indicates a component that is not available as an individual part.

*** Indicates consult Customer Service Department for additional information.

ITEM	PART NO.	1 2 3 4 5	DESCRIPTION	QTY.
1	648473		Strut	1
2	602770		Strut Grommet (Driver Side)	1
3	602992		Strut Grommet (Passenger Side).....	1
4				
5				
6				
7				
8	600527		Button Head Torx Bolt, M10 - 1.5 x 6mm Lg, Grade 8.8	1
9	600525		Lock Nut, M10 - 1.5.....	1
10	648528		Mirror Bracket.....	1
11	*		Hex Head Bolt, 1/4" - 20 x 5/8" Lg	1
12	*		Lock Washer, 1/4"	1
13	74202G01		Round Mirror	1
14	620634		End Cap	1

WEATHER PROTECTION



WEATHER PROTECTION

THE USE OF NON U.L. PARTS WILL VOID ANY U.L. LISTING.

When ordering parts, please specify the model and serial number of the product.

* Indicates a component that is not available as an individual part.

*** Indicates consult Customer Service Department for additional information.

ITEM	PART NO.	1 2 3 4 5	DESCRIPTION	QTY.
1	606584		Split Windshield Kit (Includes Items 2 - 9).....	1
2	606623		Split Windshield Assembly (Includes Items 3 - 6).....	1
3	603738		Split Windshield.....	1
4	603201		Lower Windshield Latch.....	2
5	603198		Upper Windshield Latch.....	2
6	604115		Windshield Isolator.....	2
7				
8	613136		Windshield Attachment Sash.....	2
9	668122		Split Windshield Hardware Kit (Includes Items 10 - 12)	1
10	604116		Grommet.....	2
11	600527		Button Head Torx Bolt, M10 - 1.5 x 60mm Lg, Grade 8.8.....	2
12	600525		Lock Nut, M10 - 1.5.....	2

WHEELS AND TIRES

THE USE OF NON U.L. PARTS WILL VOID ANY U.L. LISTING.

When ordering parts, please specify the model and serial number of the product.

* Indicates a component that is not available as an individual part.

*** Indicates consult Customer Service Department for additional information.

ITEM	PART NO.	1 2 3 4 5	DESCRIPTION	QTY.
1	647042		Wheel and Tire Assembly (Machine Alloy) (Includes Items 2 - 4)	1
2	647040		Wheel, 10"	1
3	647044		Tire (Kenda), 205/50 - 10"	1
4	604915		Valve Stem (Chrome)	1
5	605310		Lug Nut (Chrome)	4
6	652122		Wheel Cap (Chrome)	1
7				
8	74175G01		Dust Cap	1
9	14723G1		Lug Nut, 1/2" - 20	4
10				
11	612772		Wheel and Tire Assembly (Hole-N-One) (Includes Items 12 - 14)	1
12	612770		Wheel, 8"	1
13	612771		Tire (Kenda).....	1
14	11657G2		Valve Stem	1
15				
16	28842G01		Wheel and Tire Assembly (USA Trail) (Includes Items 17 - 19)	1
17	28759G01		Wheel (White).....	1
18	28764G08		Tire (Carlisle)	1
19	11657G2		Valve Stem	1
20				
21	665149		Wheel Cover (Metallic Gold)	1
22	665144		Wheel Cover (Metallic Silver).....	1

DECALS AND LABELS

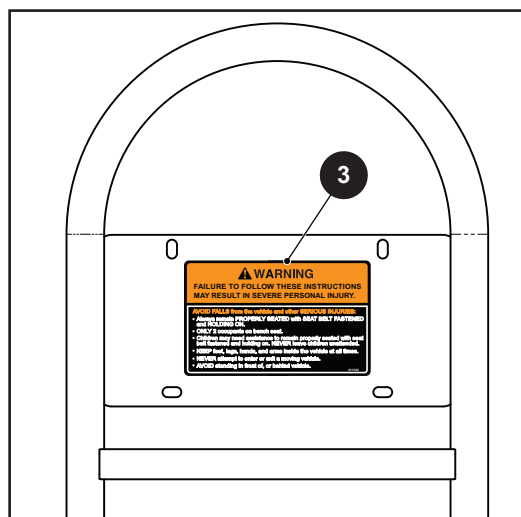
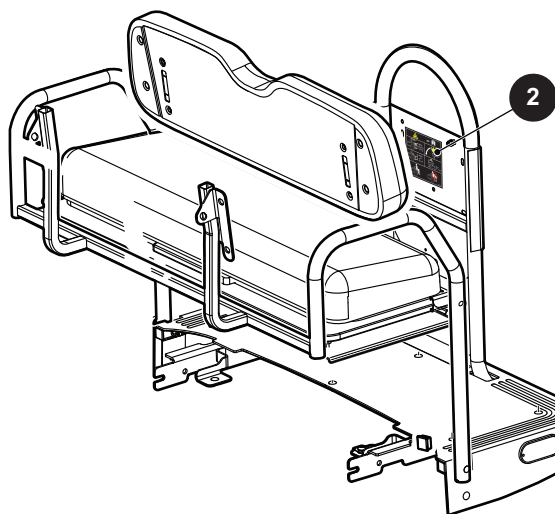
THE USE OF NON U.L. PARTS WILL VOID ANY U.L. LISTING.

When ordering parts, please specify the model and serial number of the product.

* Indicates a component that is not available as an individual part.

*** Indicates consult Customer Service Department for additional information.

ITEM	PART NO.	1 2 3 4 5	DESCRIPTION	QTY.
1	619206		E-Z-GO Cowl Decal	1
2	608528		Warning Label (Instrument Panel)	1
3	690342		Shuttle 2+2 EFI Decal	1
4	664789		Warning Label (Steering Wheel)	1
5	608527		Governor Warning Label	1
6	685698		MADE IN USA Decal	1
7	647213		Anti Rollback Label	1



Rear Seat Footrest Weldment

WARNING
 FAILURE TO FOLLOW THESE INSTRUCTIONS
 MAY RESULT IN SEVERE PERSONAL INJURY.

AVOID CONTACT WITH MOVING PARTS OR ELECTRICAL COMPONENTS

- ALWAYS WEAR PROPERLY SECURED SAFETY BELT FASTENED TO SEATBELT.
- ONLY 2 PERSONS ARE ALLOWED.
- Do not stand feet during the lift cycle except as instructed with feet.
- Do not touch, trip, bump, or fall during the operation.
- Do not touch, trip, bump, or fall during the operation at all times.
- Do not touch, trip, bump, or fall during the operation.
- Avoid contact to head, eye, or facial areas.

DECALS AND LABELS

THE USE OF NON U.L. PARTS WILL VOID ANY U.L. LISTING.

When ordering parts, please specify the model and serial number of the product.

* Indicates a component that is not available as an individual part.

*** Indicates consult Customer Service Department for additional information.

ITEM	PART NO.	1 2 3 4 5	DESCRIPTION	QTY.
1	608537		Rear Facing Seat Warning Label	1
2	610631		Clays Bed Label	1
3	611362		Rear Facing Seat Label	1



A Textron Company

Textron Specialized Vehicles, Inc.,
1451 Marvin Griffin Road
Augusta, Georgia 30906 - 3852 USA

CONTACT INFORMATION

North America:

Technical Assistance & Warranty Phone: 1-800-774-3946, FAX: 1-800-448-8124
Service Parts Phone: 1-888-438-3946, FAX: 1-800-752-6175

International: Phone: 001-706-798-4311, FAX: 001-706-771-4609

Owner's Guides and Repair Manuals
are available from a local Distributor, an authorized Branch,
Parts & Accessories Department or at www.shop.txtsv.com/shop-ezgo

Copyrighted Material
This manual may not be reproduced in whole or
in part without the express permission of
Textron Specialized Vehicles
Technical Publications Department