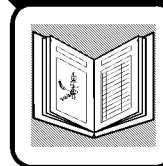


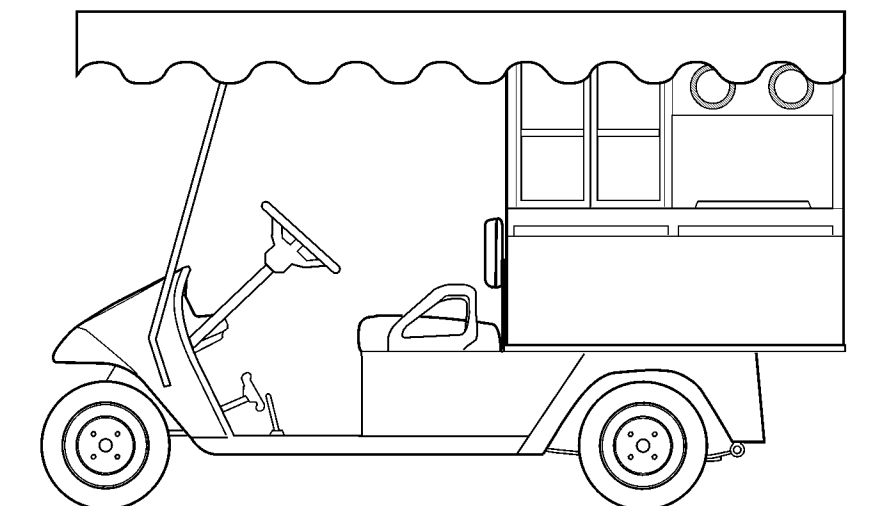
28379-G01



a **TEXTRON** Company



SERVICE PARTS MANUAL



REFRESHMENT VEHICLE

MODEL YEAR: 1996-2000

REVISED: 2/2002

SERVICE PARTS MANUAL

GASOLINE POWERED REFRESHER VEHICLE

E-Z-GO Division of Textron reserves the right to make design changes without obligation to make these changes on units previously sold and the information contained in this manual is subject to change without notice.

E-Z-GO Division of Textron is not liable for errors in this manual or for incidental or consequential damages that result from the use of the material in this manual.

CUSTOMER SERVICE DEPARTMENT IN USA PHONE: 1-800-241-5855 FAX: 1-800-448-8124

OUTSIDE USA PHONE: 010-1-706-798-4311, FAX: 010-1-706-771-4609

E-Z-GO DIVISION OF TEXTRON, INC., P.O.BOX 388, AUGUSTA, GEORGIA USA 30903-0388



NOTES

To obtain a copy of the limited warranty applicable to the vehicle, call or write a local distributor, E-Z-GO Branch or the E-Z-GO Warranty Department with vehicle serial number and manufacturer code.

The use of non E-Z-GO parts may void the warranty.

Tampering with or adjusting the governor to permit vehicle to operate at above factory specifications will void the vehicle warranty.

When servicing engines, all adjustments and replacement components must be per original vehicle specifications in order to maintain Federal and State emission certification.

BATTERY PROLONGED STORAGE

All batteries will self discharge over time. The rate of self discharge varies depending on the ambient temperature and the age and condition of the batteries.

A fully charged battery will not freeze in winter temperatures unless the temperature falls below -75° F (-60° C).

GENERAL INDEX

SECTION	Page No.
How to use the E-Z-GO Service Parts Manual.....	vii
ACCELERATOR	
• Accelerator Pedal, Accelerator Box	A-1
• Governor Linkage, Throttle Linkage.....	A-2
AIR FILTER	
• Remote Air Components (Early Production), Air Cleaner, Air Filter Element, Carburetor Baffle, Gasket B-1	
• Remote Air Components (Late Production), Air Cleaner , Air Filter Element, Carburetor Baffle, Gasket B-5	
BODY	
• Front Cowl (WorkHorse® 1200), Front Shield, Instrument Panel, Floorboard, Bumpers	C-1
• Front Cowl (WorkHorse® 1200 LX), Glove Box Doors.....	C-2
• Floormat, Seat Frame, Seat Wrap, Side Panels, Splash Panels, Rocker Panel, Rear Fenders, Panel ..	C-3
• Ashtray, Ball Hitch, Clevis Hitch	C-4
BRAKES	
• Brake Pedal With Brake Lights	D-1
• Brake Pedal Without Brake Lights	D-2
• Brake Linkage, Equalizer and Brake Cables.....	D-3
• Wheel Brake Assembly	D-4
CARBURETOR	
• Pilot Jet, Main Jet, Carburetor Mount Gasket	E-1
CLUTCHES	
• Drive Clutch, Driven Clutch, Drive Belt	F-1
• (High Altitude) Drive Clutch, Driven Clutch, Drive Belt	F-3
DIRECTION SELECTOR	
• Direction Selector Handle, Reverse Warning Buzzer, Shifter Control Pivot.....	G-1
ELECTRICAL SYSTEM	
• Battery, Control Harness	H-1
• Electrical Plate Assembly, Voltage Regulator.....	H-2
• Horn, Fuse Block.....	H-3
• Headlight	H-4
• Taillight Assembly.....	H-5
• Ignition Switch, Turn Signal, Indicator Light/Fuel Gauge	H-6
• Hour Meter, Power Outlet (12 volt).....	H-7



GENERAL INDEX

• Strut Mounted Strobe and Work Lights.....	H-8	
ENGINE AND MUFFLER		
• Engine, Spark Plugs, Muffler, Oil Filter, Spark Arrester	J-1	
ENGINE AND STARTER MOUNTING		
• Engine Guard, Starter/Generator, Belt Adjuster, Isolation Mount	K-1	
FRONT SUSPENSION		
• Front Axle, Hub and Spindle, Leaf Springs, Shock Absorber	L-1	
FUEL SYSTEM		
• Fuel Tank Assembly, Fuel Gauge, Fuel Pump.....	M-1	
REAR AXLE		
• Axle Tube, Axle Shaft, Differential Guard	N-1	
REAR SUSPENSION		
• Leaf Spring, Shock Absorber.....	P-1	
SEATING		
• Seat Bottom, Seat Back, Seat Back Support.....	Q-1	
STARTER/GENERATOR		
• Terminal Assembly, Brush Holder Assembly, Pulley.....	R-1	
STEERING		
• Steering Box Assembly, Steering Wheel, Tie Rod Assembly	S-1	
WHEELS AND TIRES		
• Tire, Wheel Rim, Valve Stems	T-1	
• Chrome Hubcaps, Spoke Hubcaps	T-2	
SPECIALTY PRODUCTS		Appendix A
• Special Tools		
• Performance Products		
• Paint		
• Engine Oil		
ACCESSORIES		Appendix B
• Accessory Listing		

HOW TO USE THE E-Z-GO SERVICE PARTS MANUAL

This manual is divided into several sections:

- GENERAL INFORMATION
- ILLUSTRATED PARTS BREAKDOWN
- APPENDIX

The first section, GENERAL INFORMATION, contains the following information:

- WARRANTY INFORMATION
- GENERAL INDEX
- HOW TO USE THE E-Z-GO SERVICE PARTS MANUAL

The second section, ILLUSTRATED PARTS BREAKDOWN, contains illustrations and parts lists for all systems of your vehicle.

The third section, APPENDIX, contains a listing of specialty products and accessories.

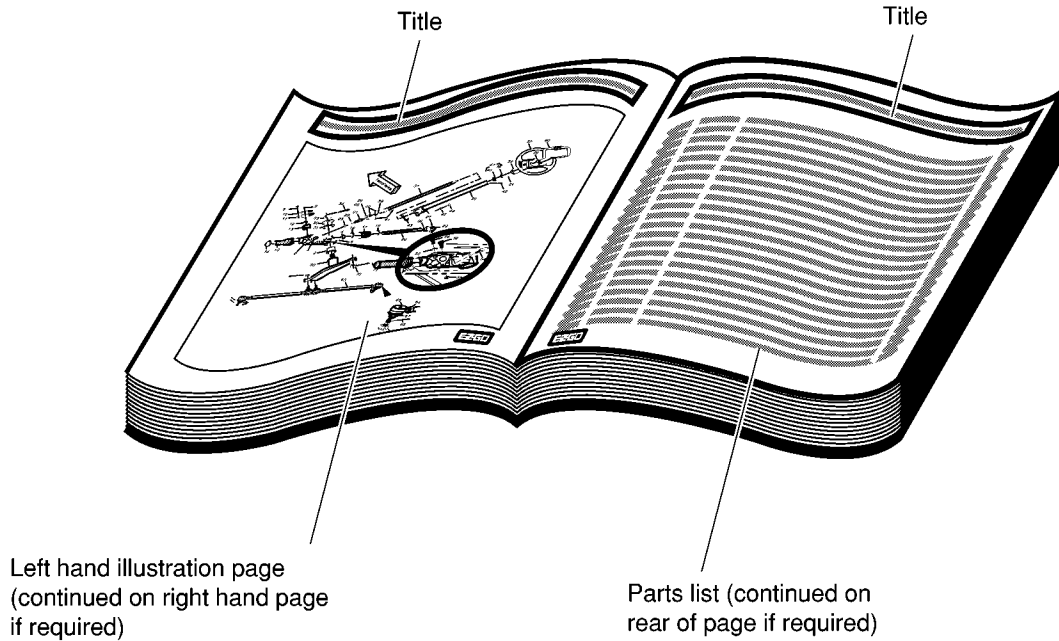
USE OF THE MANUAL

To use this manual, consult the GENERAL INDEX to locate the information or illustration required.

Introduction of some revisions varies due to supply of components; therefore, it is possible that various combinations of components may be found on the vehicle that are not directly reflected by each illustration. Find the illustration that best suits your situation and then contact the Service Parts Department. It is important that the serial number of your vehicle and its model number be supplied to Service Parts when ordering any replacement components.

Locate the serial number plate (see BODY located in the Illustrated Parts Breakdown section of this manual for its location) and note the complete number shown on the plate.

HOW TO USE THE E-Z-GO SERVICE PARTS MANUAL



1. WHEN THE PART NUMBER IS NOT KNOWN

- Determine the function and application of the part required. Turn to the General Index and select the most appropriate title.
- Turn to the page number indicated and locate the desired part on the illustration.
- From the illustration, obtain the item number assigned to the desired part. Refer to the accompanying description for specific information regarding the part.

2. IF YOU KNOW THE PART NUMBER

- Locate the part number or description in the appropriate column on the parts list page.

NOTE: It is suggested that you confirm that the part selected is correct by verifying it with the pictorial representation on the illustrated page.

Should an asterisk (*) appear in the part number column on the parts list page, read upwards until a part number is found. The part number is the lowest assembly sold by E-Z-GO and the asterisk (*) indicates that the part depicted is not available for sale by E-Z-GO.

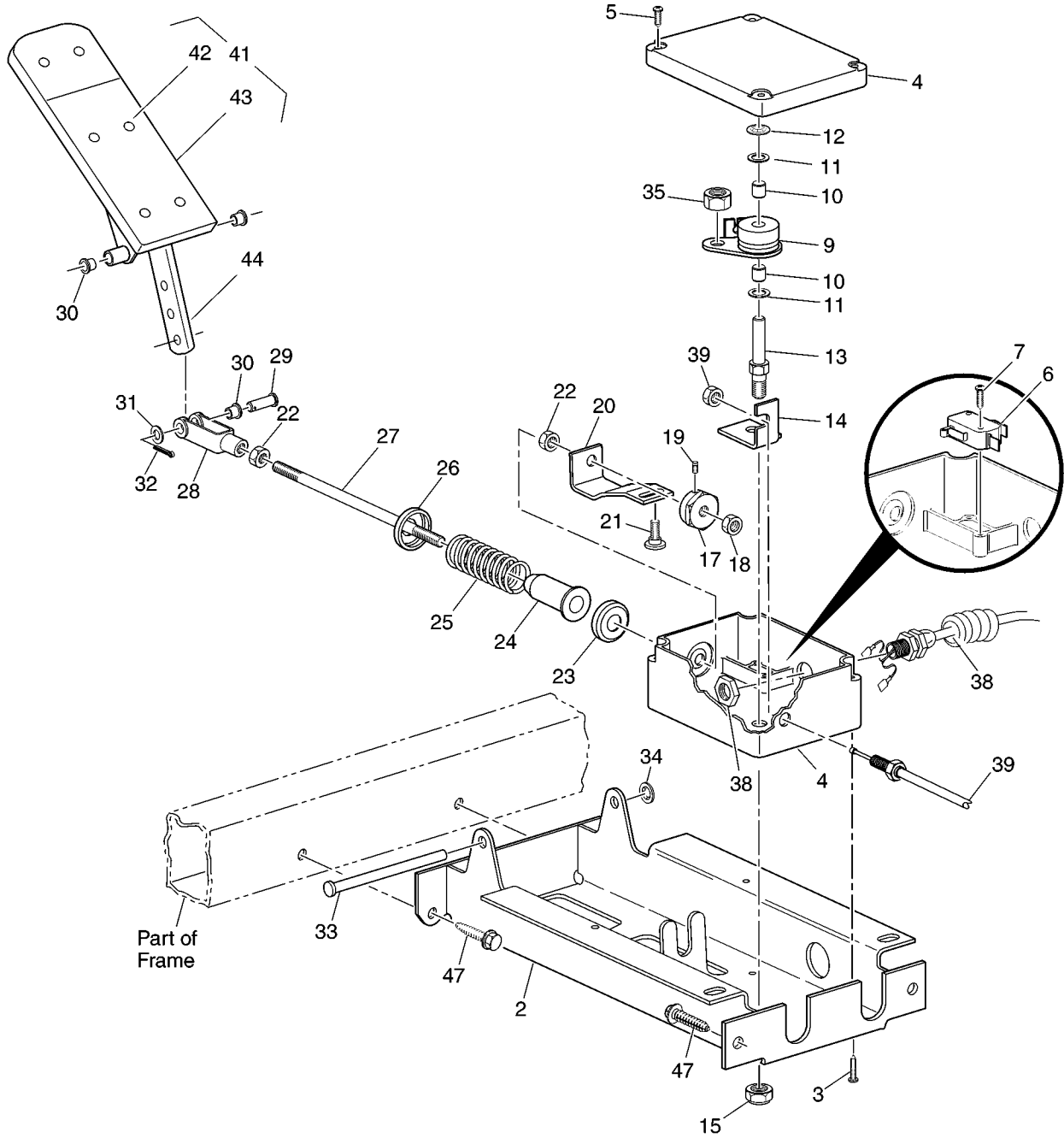
NOTE: Descriptions are indented under the assembly that they are used on. That assembly is, in turn listed under the assembly that it is used on. This process is repeated until the highest final assembly is reached.

To facilitate the maintenance and repair of the vehicle, a Technician's Repair and Service Manual is available from the E-Z-GO Service Parts Department.

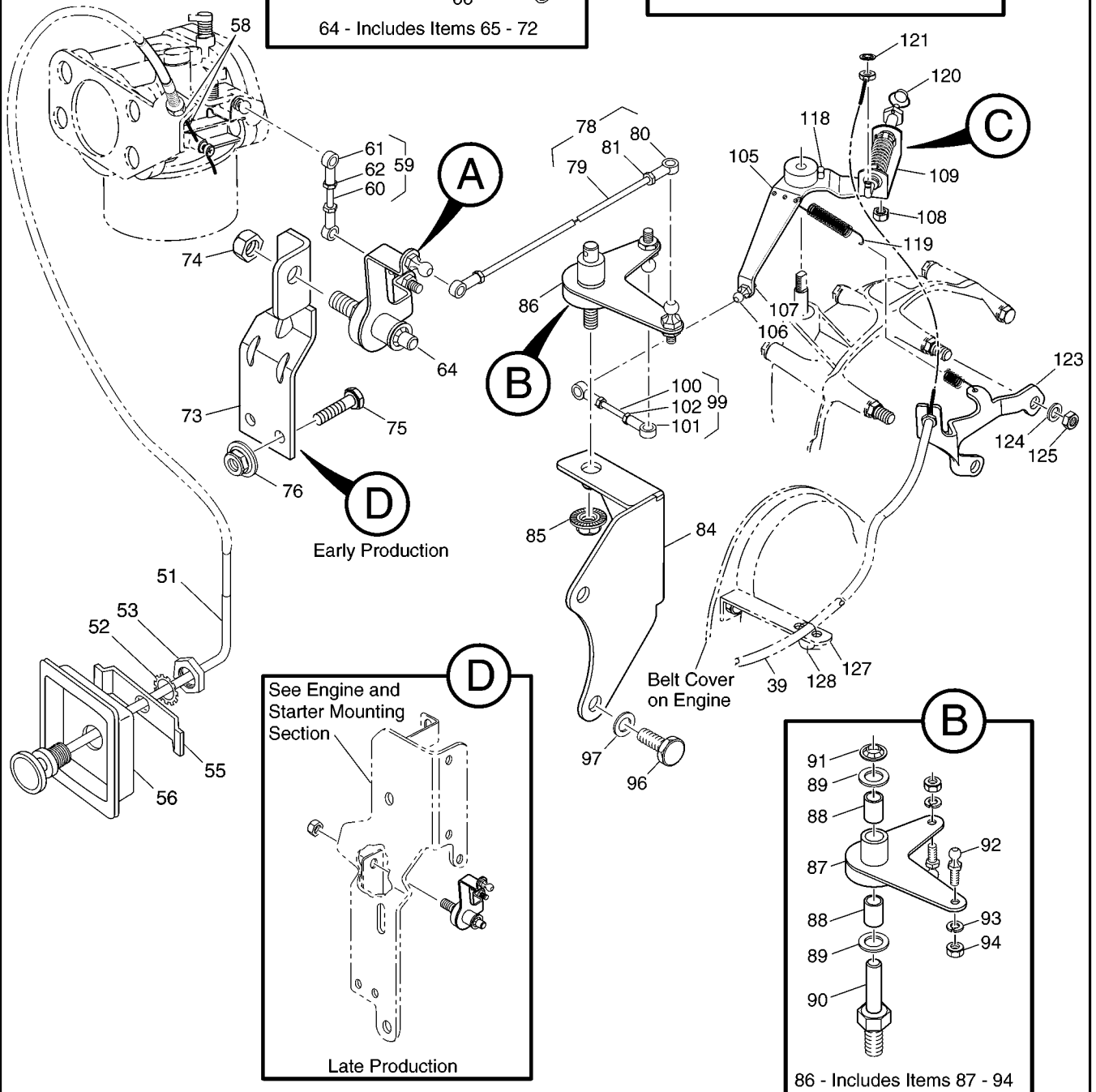
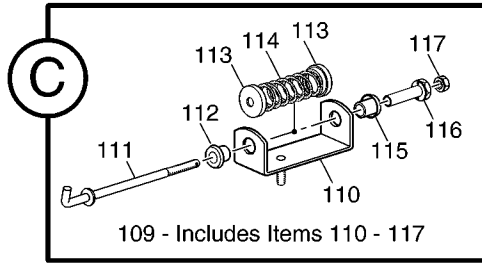
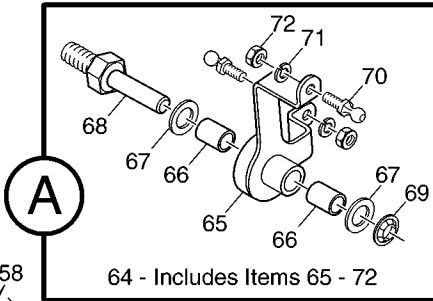
ILLUSTRATED PARTS BREAKDOWN

ILLUSTRATED PARTS BREAKDOWN

1 - Includes Items 2 - 44
40 - Includes items 41 - 44



83 - Includes Items 84 - 94
104 - Includes Items 105 - 117



When ordering parts, please specify the model and serial number of the product.

* Indicates a component that is not available as an individual part.

G** Indicates consult Customer Service Department for additional information.

ITEM	PART NO.	1 2 3 4 5	DESCRIPTION	QTY.
1	72062-G03		PEDAL BOX ASSEMBLY (INCLUDES ITEMS 2 - 44)	1
2	70116-G01		ACCELERATOR PEDAL BRACKET.....	1
3	00984-G01		SCREW, #8 - 10 X 1/2" LG.	4
4	25853-G02		PEDAL BOX AND COVER	1
5	00684-G6		SCREW, #8 - 32 X 3/4" LG.	4
6	25861-G01		MICRO SWITCH.....	1
7	00982-G01		SCREW, #4 - 14 X 5/8" LG	2
8				
9	72066-G01		CONTROL ARM	1
10	23860-G1		BEARING.....	2
11	24621-G1		NYLON WASHER, 5/16".....	2
12	12064-G1		PUSH NUT, 5/16".....	1
13	25768-G01		PIVOT ROD	1
14	72199-G01		PIVOT BRACKET	1
15	14390-G1		LOCK NUT, 3/8 - 24.....	1
16				
17	72198-G03		MICRO SWITCH CAM.....	1
18	00550-G4		LOCK NUT, 5/16 - 24	1
19	00487-G3		SETSCREW, 1/4 - 20 X 3/8" LG.	1
20	72074-G01		CONTROL ARM LINK	1
21	72225-G01		SHOULDER BOLT, #10 - 24 X 11/16" LG.....	1
22	00532-G4		LOCKNUT, 5/16 - 24.....	2
23	17677-G1		SPRING RETAINER	1
24	17979-G1		ACCELERATOR ROD BUSHING.....	1
25	73046-G01		COMPRESSION SPRING	1
26	17677-G2		SPRING RETAINER	1
27	72072-G01		ACCELERATOR ROD	1
28	10385-G4		CLEVIS YOKE (ADJUSTABLE).....	1
29	10386-G3		CLEVIS PIN, 5/16" X 1" LG	1
30	17838-G1		NYLON BUSHING	3

When ordering parts, please specify the model and serial number of the product.

* Indicates a component that is not available as an individual part.

G** Indicates consult Customer Service Department for additional information.

ITEM	PART NO.	1	2	3	4	5	DESCRIPTION	QTY.
31	17255-G1						TEFLON WASHER, 5/16".....	1
32	10387-G3						COTTER PIN, 3/32" X 3/4" LG	1
33	70134-G01						PEDAL PIVOT PIN	1
34	00986-G01						PUSH NUT, 9/32"	1
35	14390-G10						LOCK NUT, #10 - 24.....	1
36	12730-G1						WHEEL BEARING GREASE (NOT ILLUSTRATED).....	A/R
37								
38	72201-G01						WIRE HARNESS (PEDAL BOX)	1
39	72065-G02						ACCELERATOR CABLE	1
40	25799-G01						ACCELERATOR PEDAL ASSEMBLY (INCLUDES ITEMS 41 - 44)	1
41	27844-G01						ACCELERATOR PEDAL PAD KIT (INCLUDES ITEMS 42 - 43)	1
42	15766-G1						OVAL RIVET, 3/16" X 3/8" LG.	6
43	27512-G01						ACCELERATOR PEDAL PAD	1
44	*						ACCELERATOR PEDAL.....	1
45								
46								
47	00715-G2						BOLT, 5/16 - 18 X 13/16" LG.....	4
48								
49								
50								
51	72401-G01						CHOKE CABLE (WITH NUTS)	1
52	00568-G4						LOCK WASHER, 9/16"	1
53	00545-G4						NUT, 9/16-18	1
54								
55	72155-G02						RETAINER	1
56	72154-G01						CHOKE CABLE ADAPTER.....	1
57								
58	00544-G4						JAM NUT, 5/16 - 24.....	2
59	25737-G01						CARBURETOR LINKAGE ROD (INCLUDES ITEMS 60 - 62).....	1
60	23722-G1						ADJUSTING ROD (SHORT)	1



When ordering parts, please specify the model and serial number of the product.
 * Indicates a component that is not available as an individual part.
 G** Indicates consult Customer Service Department for additional information.

ITEM	PART NO.	1	2	3	4	5	DESCRIPTION	QTY.
61	24465-G1						BALL JOINT SOCKET	2
62	00526-G4						NUT, #10 - 32.....	2
63								
64	25760-G01						CARBURETOR LINKAGE BELLCRANK (INCLUDES ITEMS 65 - 72).....	1
65	25759-G01						CARBURETOR PIVOT	1
66	23860-G1						BEARING.....	2
67	24621-G1						NYLON WASHER, 5/16".....	2
68	25768-G01						PIVOT ROD	1
69	12064-G1						PUSH NUT, 5/16".....	1
70	24479-G1						BALL JOINT BALL	2
71	00565-G5						LOCK WASHER, #10	2
72	00526-G4						NUT, #10 - 32.....	2
73	72197-G01						PIVOT BRACKET.....	1
74	14390-G1						LOCK NUT, 3/8 - 24	1
75	00414-G8						BOLT, 1/4 - 20 X 1" LG	2
76	14390-G4						LOCK NUT, 1/4 - 20	2
77								
78	72254-G01						THROTTLE LINKAGE ROD ASSEMBLY (INCLUDES ITEMS 79 - 81).....	1
79	72255-G01						ADJUSTING ROD (LONG).....	1
80	24465-G1						BALL JOINT SOCKET	2
81	00526-G4						NUT, #10 - 32.....	2
82								
83	25702-G01						GOVERNOR PIVOT BRACKET ASSEMBLY (INCLUDES ITEMS 84 - 94).....	1
84	25655-G01						BELLCRANK BRACKET.....	1
85	14390-G1						LOCK NUT, 3/8 - 24	1
86	25763-G01						GOVERNOR PIVOT ASSEMBLY (INCLUDES ITEMS 87 - 94)	1
87	25762-G01						GOVERNOR PIVOT.....	1
88	23860-G1						BEARING	2
89	24621-G1						NYLON WASHER, 5/16"	2
90	25768-G01						PIVOT ROD.....	1



When ordering parts, please specify the model and serial number of the product.
 * Indicates a component that is not available as an individual part.
 G** Indicates consult Customer Service Department for additional information.

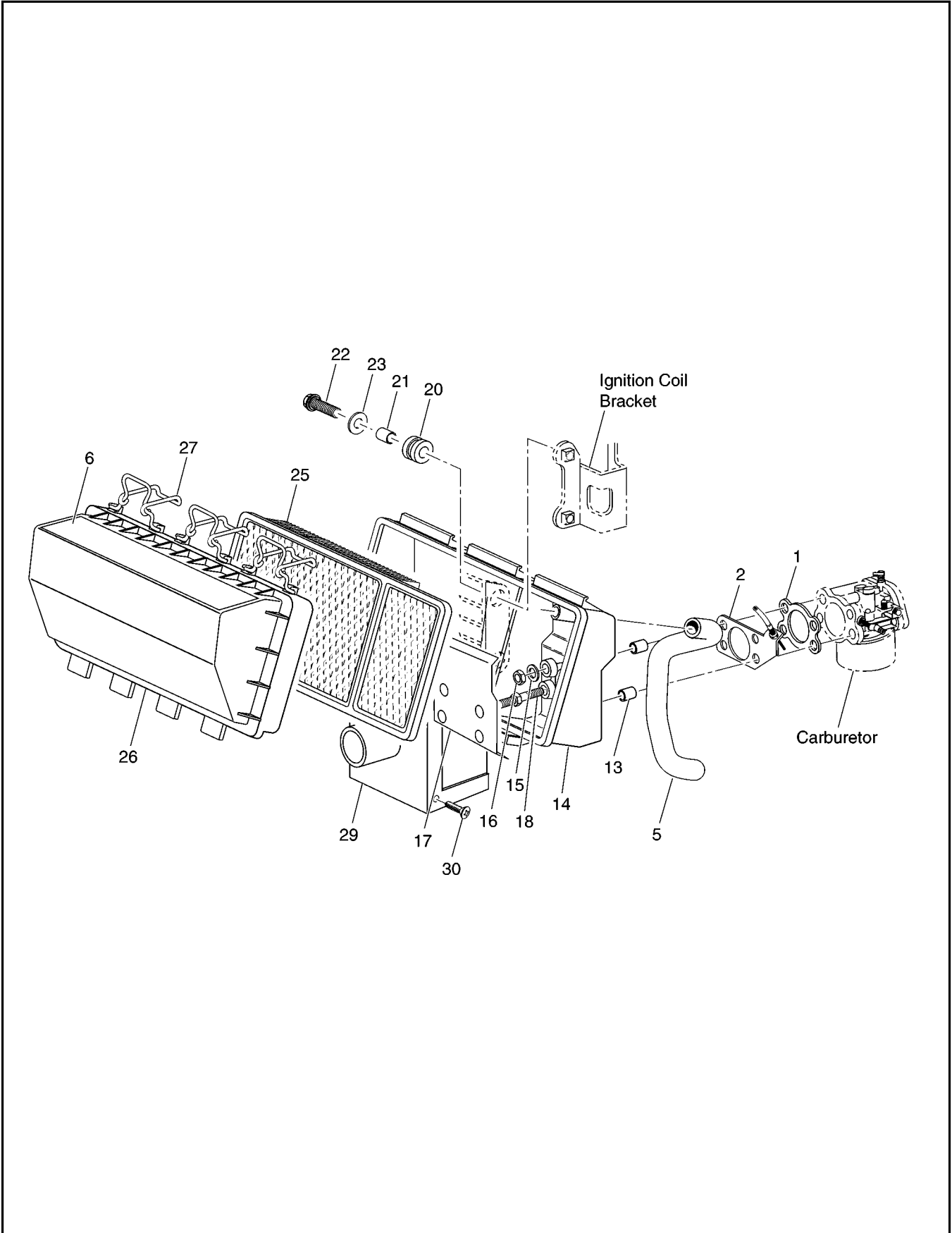
ITEM	PART NO.	1	2	3	4	5	DESCRIPTION	QTY.
91	12064-G1						PUSH NUT, 5/16"	1
92	24479-G1						BALL JOINT BALL	2
93	00565-G5						LOCK WASHER, #10	2
94	00526-G4						NUT, #10 - 32	2
95								
96	00276-G6						BOLT, 5/16 - 24 X 3/4" LG	2
97	00565-G8						LOCK WASHER, 5/16"	2
98								
99	25737-G03						GOVERNOR LINKAGE ROD (INCLUDES ITEMS 100 - 102)	1
100	23722-G1						ADJUSTING ROD	1
101	24465-G1						BALL JOINT SOCKET	2
102	00526-G4						NUT, #10 - 32	2
103								
104	25690-G01						GOVERNOR BELLCRANK ASSEMBLY (INCLUDES ITEMS 105 - 117)	1
105	25765-G01						GOVERNOR BELLCRANK	1
106	24479-G1						BALL JOINT BALL	1
107	00734-G5						LOCK NUT, #10 - 32	1
108	14390-G4						LOCK NUT, 1/4 - 20	1
109	22751-G2						GOVERNOR BRACKET ASSEMBLY (INCLUDES ITEMS 110 - 117)	1
110	22752-G1						GOVERNOR BRACKET	1
111	25274-G1						GOVERNOR ROD	1
112	22754-G1						BUSHING	1
113	25661-G01						CUP WASHER	2
114	23578-G1						COMPRESSION SPRING	1
115	22754-G2						BUSHING	1
116	23859-G1						GOVERNOR ADJUSTER	1
117	00526-G4						NUT, #10-32	1
118	00491-G4						SETSCREW, 1/4 - 20 X 1/2" LG	2
119	25738-G01						SPRING	1
120	25286-G1						SAFETY SEAL, 3/8"	1



When ordering parts, please specify the model and serial number of the product.
 * Indicates a component that is not available as an individual part.
 G** Indicates consult Customer Service Department for additional information.

ITEM	PART NO.	1 2 3 4 5	DESCRIPTION	QTY.
121	12064-G3		PUSH NUT, 3/16"	1
122				
123	25653-G01		ACCELERATOR CABLE BRACKET	1
124	26826-G01		LOCK WASHER, 8 MM	2
125	26827-G01		NUT, M8 X 1.25 MM	2
126				
127	72055-G01		ACCELERATOR CABLE BRACKET	1
128	17618-G1		WIRE TIE	7





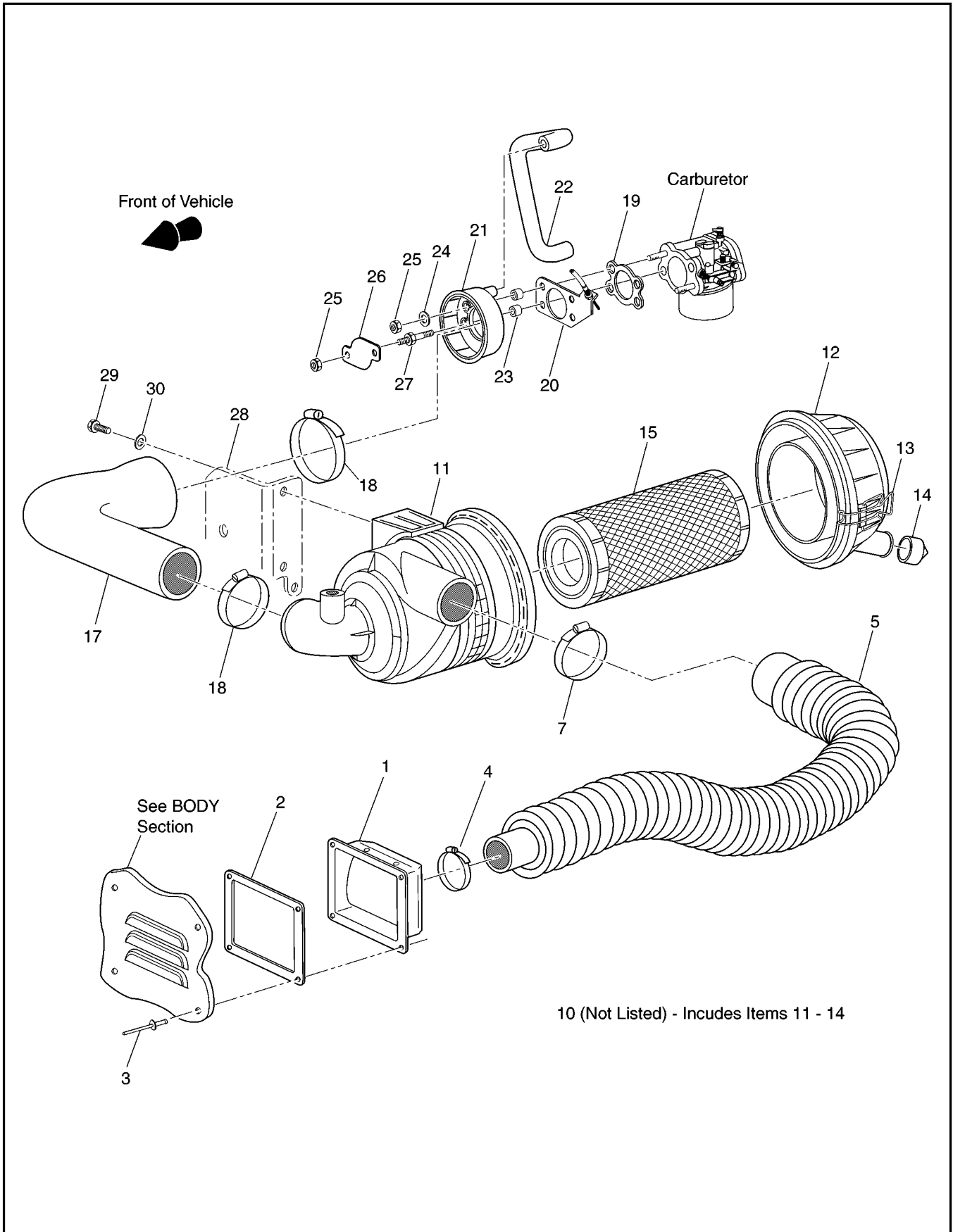
AIR FILTER (EARLY PRODUCTION)**Gasoline Vehicle**

When ordering parts, please specify the model and serial number of the product.

* Indicates a component that is not available as an individual part.

G** Indicates consult Customer Service Department for additional information.

ITEM	PART NO.	1 2 3 4 5	DESCRIPTION	QTY.
1	26727-G01		CARBURETOR / AIR BOX GASKET	2
2	26728-G01		CHOKE BRACKET.....	1
3				
4				
5	72151-G01		PCV HOSE.....	1
6	74093-G01		LABEL (WARNING)	1
7				
8				
9				
10				
11	26728-G01		CHOKE BRACKET.....	1
12				
13	23726-G6		CARBURETOR MOUNT SPACER	4
14	72178-G02		HOUSING	1
15	51400-G1		LOCK WASHER, 6 MM.....	2
16	13632-G1		NUT, M6 X 1.....	4
17	72529-G01		BAFFLE.....	1
18	72514-G01		STUD, M6 X 1 X 39 MM LG.....	2
19				
20	72147-G01		HOUSING MOUNT GROMMET.....	2
21	23726-G7		HOUSING MOUNT SPACER.....	2
22	26671-G01		BOLT AND WASHER, M6 X 1 X 30 MM LG	2
23	26701-G01		WASHER, 6.5 MM.....	2
24				
25	72368-G01		AIR FILTER ELEMENT	1
26	72179-G02		AIR FILTER COVER	1
27	72145-G01		LATCH.....	3
28				
29	72146-G02		INLET COVER	1
30	00614-G5		SCREW, #8 - 18 X 5/8" LG	6



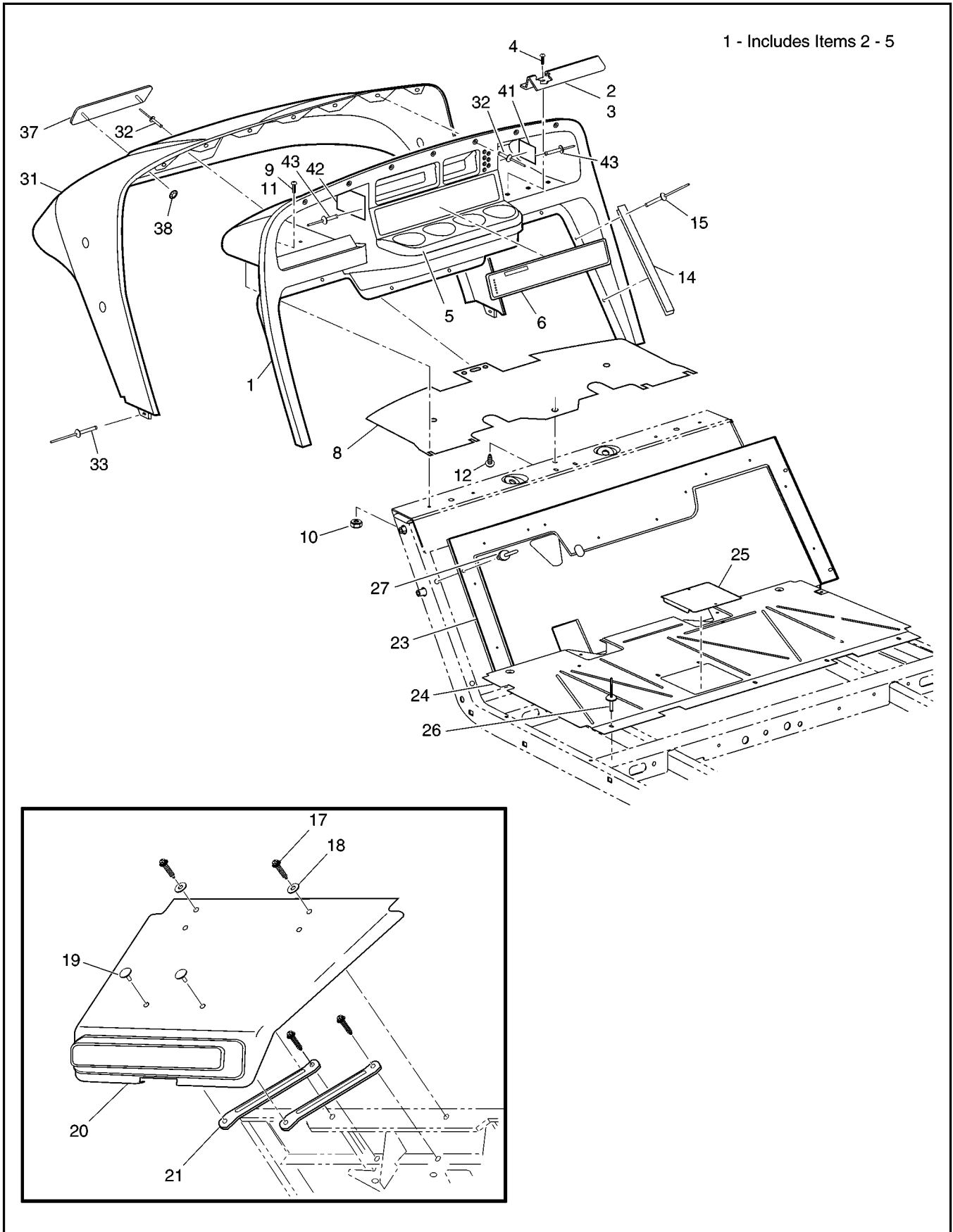
When ordering parts, please specify the model and serial number of the product.

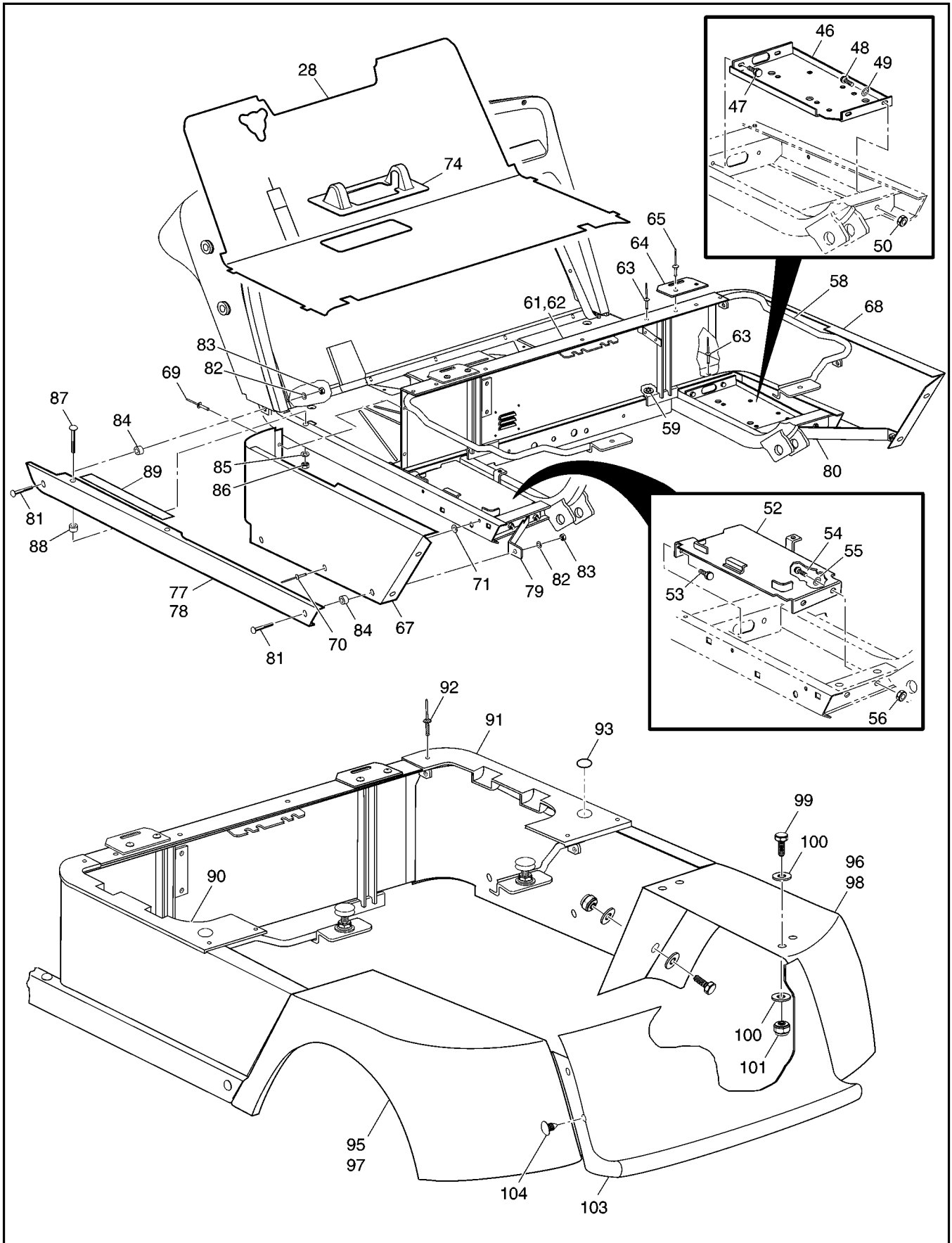
* Indicates a component that is not available as an individual part.

G** Indicates consult Customer Service Department for additional information.

ITEM	PART NO.	1 2 3 4 5	DESCRIPTION	QTY.
1	72416-G01		INLET ADAPTER	1
2	72415-G01		GASKET	1
3	71055-G01		RIVET, 3/16" X 3/8" LG	4
4	11391-G2		CLAMP	1
5	72637-G02		HOSE (REMOTE AIR)	1
6				
7	11391-G1		CLAMP	1
8				
9				
10	72607-G01		AIR FILTER HOUSING ASSEMBLY (INCLUDES ITEMS 11 - 14).....	1
11	72598-G01		AIR FILTER HOUSING.....	1
12	72599-G01		AIR FILTER HOUSING COVER.....	1
13	72604-G01		AIR FILTER LATCH	2
14	28462-G01		DUST EVACUATOR.....	1
15	28463-G01		AIR FILTER ELEMENT	1
16				
17	72592-G01		HOSE (AIR FILTER TO CARBURETOR).....	1
18	11391-G6		CLAMP	2
19	26727-G01		CARBURETOR GASKET.....	2
20	26728-G01		CHOKE BRACKET	1
21	72591-G01		CARBURETOR ADAPTER	1
22	72151-G01		PCV HOSE.....	1
23	23726-G6		CARBURETOR MOUNT SPACER	4
24	51400-G1		WASHER, 1/4"	2
25	13632-G1		NUT, M6 X 1	4
26	72605-G01		BAFFLE.....	1
27	26676-G01		STUD	2
28	XXXXXXXX		AIR CLEANER BRACKET (SEE ENGINE AND STARTER MTG. SECTION)....	X
29	12583-G3		BOLT, M8 X 1.25 X 16 MM.....	2
30	00565-G8		WASHER, 5/16"	2







BODY AND ASSOCIATED PARTS

Gasoline Vehicle

When ordering parts, please specify the model and serial number of the product.

* Indicates a component that is not available as an individual part.

G** Indicates consult Customer Service Department for additional information.

ITEM	PART NO.	1 2 3 4 5	DESCRIPTION	QTY.
1	71151-G01		INSTRUMENT PANEL ASSEMBLY (INCLUDES ITEMS 2 - 5)	1
2	71153-G01		BALL DEFLECTOR (PASSENGER SIDE)	1
3	71154-G01		BALL DEFLECTOR (DRIVER SIDE).....	1
4	00614-G5		SCREW, #8 - 18 X 5/8" LG.....	6
5	71158-G01		INSTRUMENT PANEL INSERT (FOUR CUP)	1
6	71177-G02		LABEL (SAFETY).....	1
7				
8	71413-G01		SPLASH PANEL.....	1
9	01036-G01		SCREW, #10 - 24 X 3/4" LG. (TO EARLY 2000 PRODUCTION)	4
10	11098-G7		LOCK NUT, #10 - 24 (TO EARLY 2000 PRODUCTION)	4
11	16816-G2		RATCHET FASTENER, 1/4" X 3/4" (LATE 2000 PRODUCTION)	4
12	16816-G2		RATCHET FASTENER, 1/4" X 3/4".....	1
13				
14	71115-G01		VINYL TRIM	2
15	71055-G01		RIVET, 3/16" X 3/8" LG.	10
16				
17	01038-G01		SCREW, 1/4 - 20 X 1/2" LG.	4
18	16469-G7		WASHER, 1/4"	2
19	16816-G2		RATCHET FASTENER, 1/4" X 3/4".....	2
20	27166-G02		FRONT SHIELD.....	1
21	71015-G01		FRONT SHIELD BRACE.....	2
22				
23	71510-G01		UPPER FLOORPAN	1
24	70451-G01		LOWER FLOORPAN.....	1
25	70452-G01		ACCESS COVER.....	1
26	14601-G11		RIVET, 3/16 X 9/16" LG.....	16
27				
28	70048-G06		FLOORMAT.....	1
29				
30				



When ordering parts, please specify the model and serial number of the product.

* Indicates a component that is not available as an individual part.

G** Indicates consult Customer Service Department for additional information.

ITEM	PART NO.	1 2 3 4 5	DESCRIPTION	QTY.
31	71051-G**		COWL	1
32	71055-G01		RIVET, 3/16" X 3/8" LG.	9
33	10570-G11		RIVET, 3/16" X 3/4" LG.	2
34				
35				
36				
37	71037-G02		E-Z-GO NAMEPLATE (GOLD).....	1
38	12064-G3		PUSHNUT, 3/16"	2
39				
40				
41	*		SERIAL NUMBER PLATE.....	1
42	*		EC PLATE	1
43	01041-G01		RIVET, 5/32" X 7/8" LG	4
44				
45				
46	70244-G02		SPLASH PAN.....	1
47	00715-G2		BOLT, 5/16 - 18 X 13/16" LG.....	2
48	00438-G8		BOLT, 5/16 - 18 X 1" LG.....	2
49	00559-G8		WASHER, 5/16"	2
50	11098-G6		LOCK NUT, 5/16 - 18	2
51				
52	70245-G01		BATTERY TRAY.....	1
53	00715-G2		BOLT, 5/16 - 18 X 13/16" LG.....	2
54	00438-G8		BOLT, 5/16 - 18 X 1" LG.....	2
55	00571-G2		WASHER, 5/16"	2
56	11098-G6		LOCK NUT, 5/16 - 18	2
57				
58	70384-G02		SEAT FRAME.....	1
59	70200-G01		SCREW, 3/8 - 16 X 1/4" LG	2
60				



BODY AND ASSOCIATED PARTS

Gasoline Vehicle

When ordering parts, please specify the model and serial number of the product.

* Indicates a component that is not available as an individual part.

G** Indicates consult Customer Service Department for additional information.

ITEM	PART NO.	1 2 3 4 5	DESCRIPTION	QTY.
61	71976-G**		SEAT WRAP PANEL (REMOTE AIR)	1
62	71379-G**		SEAT WRAP PANEL	1
63	10570-G10		RIVET, 5/32 X 9/16" LG	8
64	71609-G01		HINGE PLATE	2
65	10570-G11		RIVET, 3/16 X 11/16" LG	4
66				
67	71674-G**		SIDE PANEL (DRIVER SIDE)	1
68	71674-G**		SIDE PANEL (PASSENGER SIDE)	1
69	10570-G10		RIVET, 5/32 X 9/16" LG	4
70	10570-G12		RIVET, 1/4 X 9/16" LG	4
71	16469-G7		FENDER WASHER	4
72				
73				
74	70135-G01		PEDAL PIVOT COVER	1
75	70048-G06		FLOORMAT	1
76				
77	71439-G01		ROCKER PANEL (DRIVER SIDE)	1
78	71439-G02		ROCKER PANEL (PASSENGER SIDE)	1
79	71440-G01		BRACE (DRIVER SIDE)	1
80	71440-G02		BRACE (PASSENGER SIDE)	1
81	00789-G2		SCREW, #10 - 24 X 1 1/4" LG	4
82	00660-G5		WASHER, #10	4
83	11098-G7		LOCK NUT, #10 - 24	4
84	19247-G3		SPACER, 9/32"	4
85	00559-G7		WASHER, 1/4"	4
86	14390-G4		LOCK NUT, 1/4 - 20	4
87	16705-G1		SCREW, 1/4 - 20 X 1" LG	4
88	23726-G2		SPACER, 1/4"	4
89	71764-G01		SILL PLATE TREAD	2
90	71588-G01		SEAT FILLER PANEL (DRIVER SIDE)	1

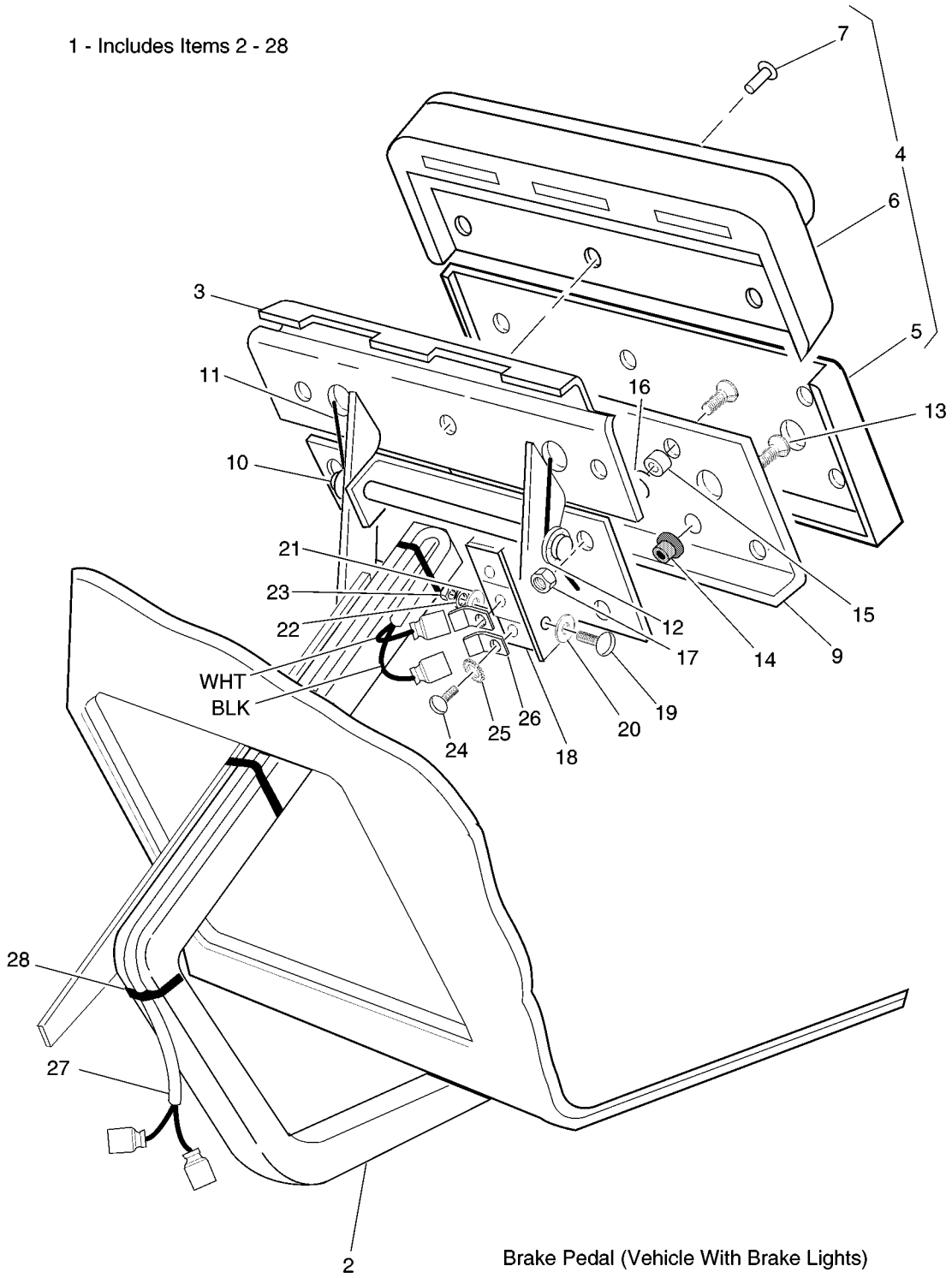


When ordering parts, please specify the model and serial number of the product.
 * Indicates a component that is not available as an individual part.
 G** Indicates consult Customer Service Department for additional information.

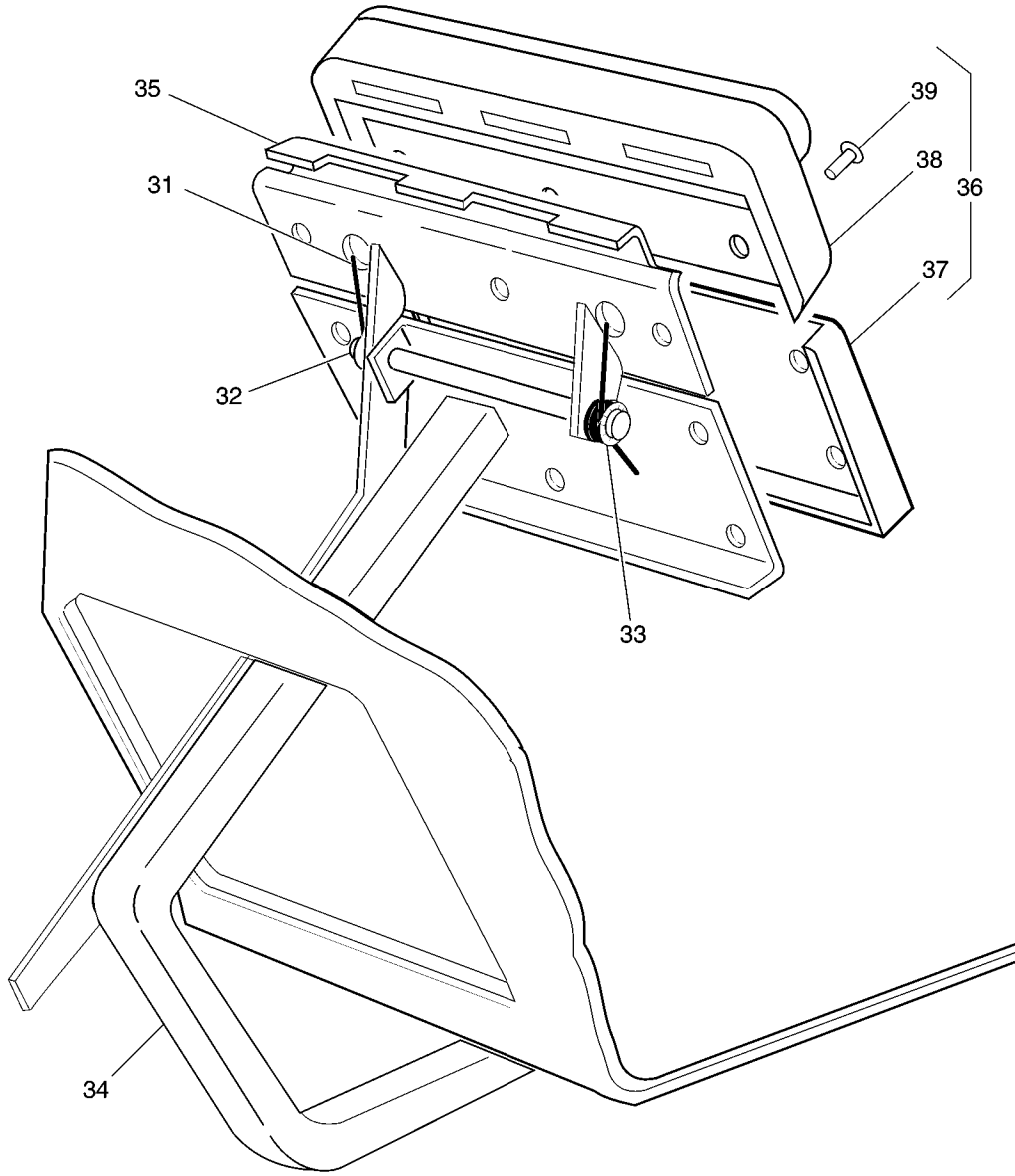
ITEM	PART NO.	1 2 3 4 5	DESCRIPTION	QTY.
91	71588-G02		SEAT FILLER PANEL (PASSENGER SIDE).....	1
92	10570-G10		RIVET, 5/32 X 9/16" LG.....	6
93	20271-G7		HOLE PLUG (VEHICLES WITHOUT TOP)	2
94				
95	71586-G01		FENDER (DRIVER SIDE)	1
96	71586-G02		FENDER (PASSENGER SIDE).....	1
97	71586-G03		FENDER (WITH TAILLIGHT) (DRIVER SIDE).....	1
98	71586-G04		FENDER (WITH TAILLIGHT) (PASSENGER SIDE)	1
99	00414-G7		BOLT, 1/4 - 20 X 7/8" LG.....	12
100	00559-G7		WASHER, 1/4"	24
101	14390-G4		LOCK NUT, 1/4 - 20	12
102				
103	71587-G01		REAR PANEL.....	1
104	71055-G01		RIVET, 3/16 X 3/8" LG.....	4



1 - Includes Items 2 - 28

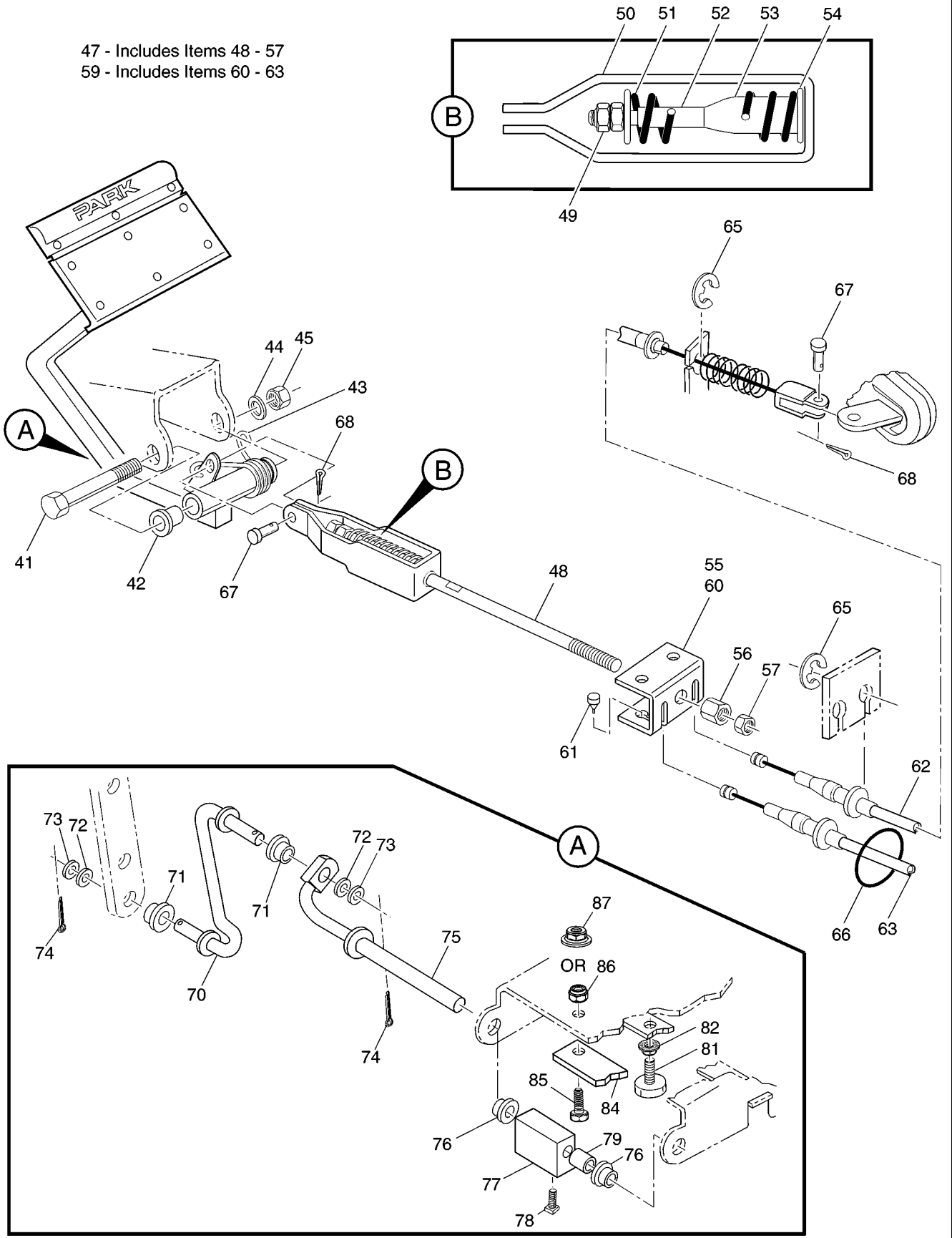


30 - Includes Items 31 - 39



Brake Pedal (Vehicle Without Brake Lights)

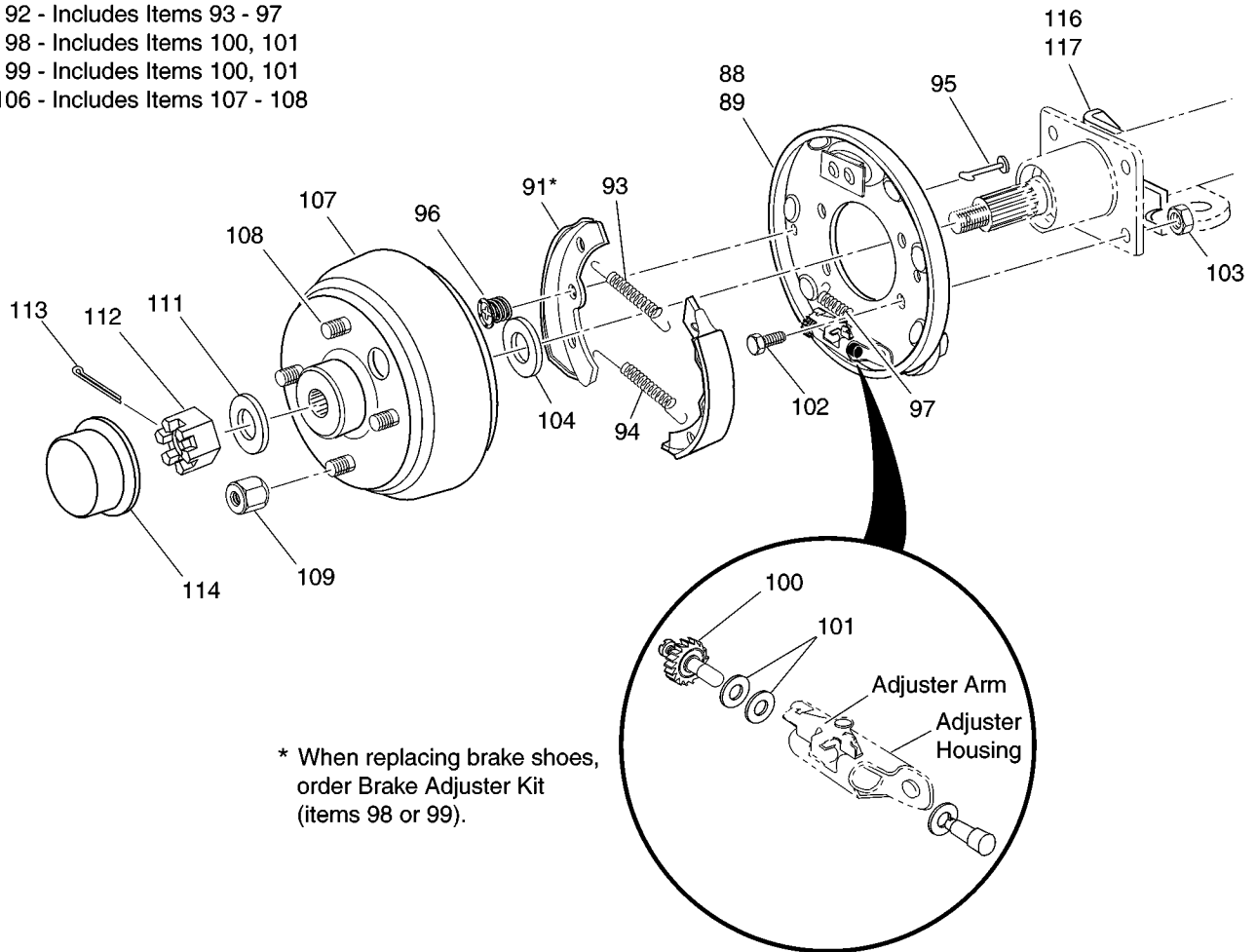
47 - Includes Items 48 - 57
59 - Includes Items 60 - 63



Front of Vehicle



- 88 - Includes Items 90 - 98, 100, 101
- 89 - Includes Items 90 - 97, 99 - 101
- *90 - Includes Item 91
- 92 - Includes Items 93 - 97
- 98 - Includes Items 100, 101
- 99 - Includes Items 100, 101
- 106 - Includes Items 107 - 108



* When replacing brake shoes, order Brake Adjuster Kit (items 98 or 99).

BRAKES**Gasoline Vehicle**

When ordering parts, please specify the model and serial number of the product.

* Indicates a component that is not available as an individual part.

G** Indicates consult Customer Service Department for additional information.

ITEM	PART NO.	1 2 3 4 5	DESCRIPTION	QTY.
1	70263-G01		BRAKE PEDAL ASSEMBLY (WITH BRAKE LIGHTS) (INCLUDES ITEMS 2 - 28).....	1
2	70249-G01		BRAKE PEDAL.....	1
3	70254-G01		PARK BRAKE PEDAL.....	1
4	70274-G01		BRAKE/PARK BRAKE PEDAL PAD KIT (INCLUDES ITEMS 5 - 7).....	1
5	*		SERVICE BRAKE PAD.....	1
6	*		PARK BRAKE PAD.....	1
7	15766-G1		OVAL RIVET, 3/16" X 3/8" LG.	9
8				
9	*		SERVICE BRAKE PEDAL PLATE.....	1
10	15932-G2		PIVOT PIN.....	1
11	11737-G1		TORSION SPRING.....	2
12	12064-G1		PUSH NUT, 5/16".....	1
13	00737-G8		SCREW, #10 - 24 X 1" LG.	4
14	00739-G1		RUBBER NUT, #10 - 24.....	2
15	22362-G3		BRAKE PEDAL STANDOFF.....	2
16	27137-G01		CONICAL SPRING.....	2
17	11098-G7		LOCK NUT, #10 - 24.....	2
18	10606-G8		MICRO SWITCH.....	1
19	00645-G2		SCREW, #6 - 32 X 1 1/4" LG.	2
20	00559-G5		WASHER, #10.....	2
21	00559-G3		WASHER, #6.....	2
22	00565-G3		LOCK WASHER, #6.....	2
23	00525-G5		NUT, #6 - 32.....	2
24	*		BRASS SCREW.....	2
25	00567-G3		LOCK WASHER, #6.....	6
26	14628-G1		FASTON TAB.....	2
27	24605-G1		WIRE HARNESS (BRAKE LIGHT).....	1
28	17618-G1		WIRE TIE.....	3
29				

When ordering parts, please specify the model and serial number of the product.
 * Indicates a component that is not available as an individual part.
 G** Indicates consult Customer Service Department for additional information.

ITEM	PART NO.	1 2 3 4 5	DESCRIPTION	QTY.
30	70264-G01		BRAKE PEDAL ASSEMBLY (WITHOUT BRAKE LIGHTS) (INCLUDES ITEMS 31 - 39)	1
31	11737-G1		TORSION SPRING.....	2
32	15932-G2		PIVOT PIN.....	1
33	12064-G1		PUSHNUT, 5/16"	1
34	*		SERVICE BRAKE PEDAL	1
35	70265-G01		PARK BRAKE PEDAL	1
36	70274-G01		BRAKE/PARK BRAKE PEDAL PAD KIT (INCLUDES ITEMS 37 - 39).....	1
37	*		SERVICE BRAKE PAD	1
38	*		PARK BRAKE PAD	1
39	15766-G1		OVAL RIVET, 3/16" X 3/8" LG.....	9
40				
41	70582-G01		SHOULDER BOLT, 3/8 - 16 X 4" LG.....	1
42	70581-G01		FLANGED BUSHING.....	2
43	70676-G01		TORSION SPRING	1
44	00643-G1		WASHER, 3/8"	1
45	11098-G5		LOCK NUT, 3/8 - 16	1
46				
47	70272-G04		COMPENSATOR ASSEMBLY (INCLUDES ITEMS 48 - 57)	1
48	25882-G04		LINKAGE ROD	1
49	00532-G4		NUT, 5/16 - 24.....	2
50	27330-G01		YOKE.....	1
51	23463-G1		COMPRESSION SPRING.....	1
52	23061-G2		COMPENSATOR STOP TUBE.....	1
53	17979-G1		BUSHING	1
54	15121-G1		WASHER, 3/8"	2
55	28082-G01		EQUALIZER BRACKET	1
56	00963-G01		SPHERICAL NUT, 5/16 - 24	1
57	11098-G9		LOCK NUT, 5/16 - 24.....	1



BRAKES

Gasoline Vehicle

When ordering parts, please specify the model and serial number of the product.

* Indicates a component that is not available as an individual part.

G** Indicates consult Customer Service Department for additional information.

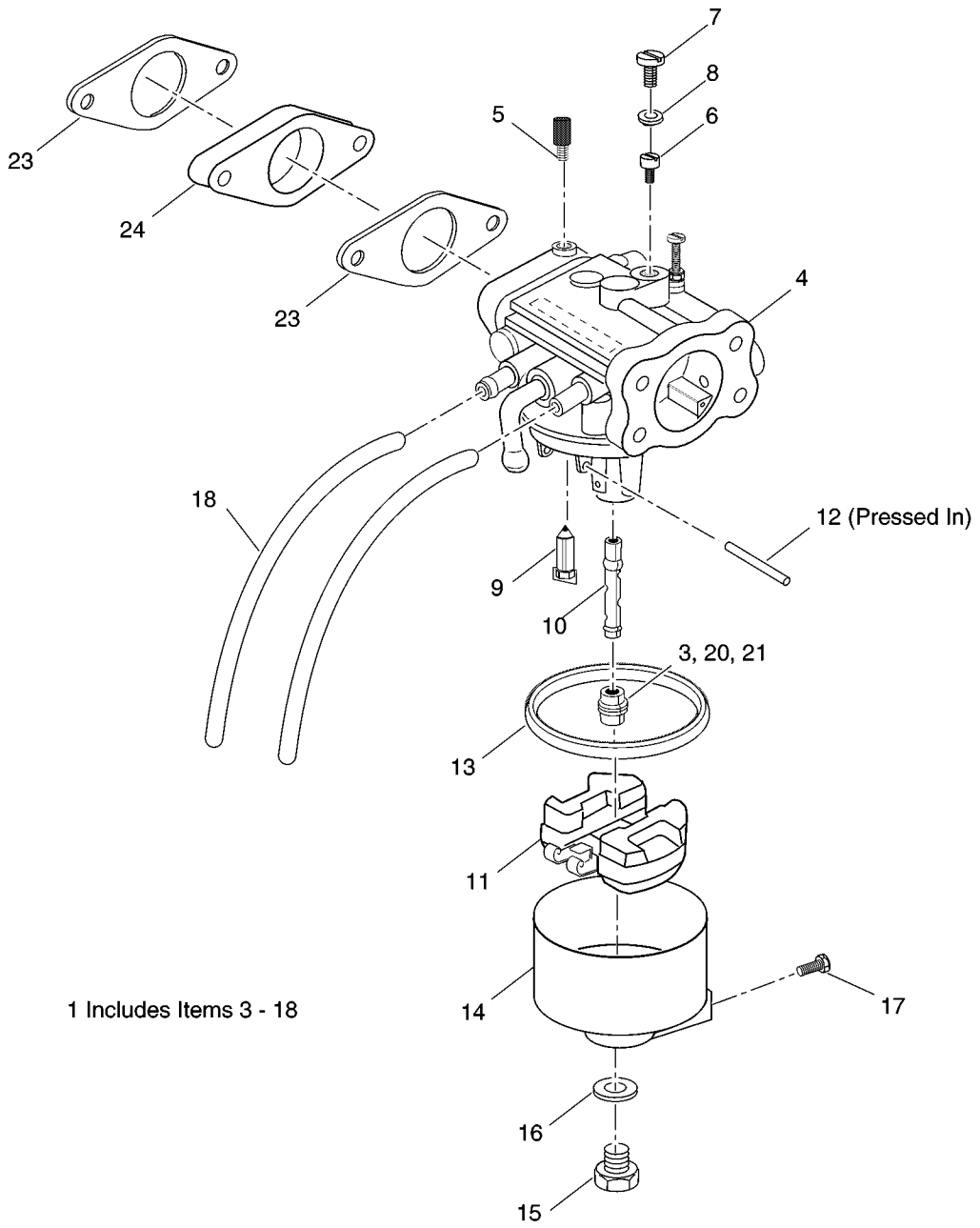
ITEM	PART NO.	1	2	3	4	5	DESCRIPTION	QTY.
58								
59	70716-G05						EQUALIZER AND BRAKE CABLE ASSEMBLY (INCLUDES ITEMS 60 - 63)....	1
60	28082-G01						EQUALIZER BRACKET.....	1
61	28083-G01						BRAKE COMPENSATOR BUMPER.....	2
62	*						BRAKE CABLE (PASSENGER SIDE)	1
63	*						BRAKE CABLE (DRIVER SIDE).....	1
64								
65	12305-G1						RETAINING RING, 13/32".....	4
66	12416-G2						WIRE TIE	2
67	10386-G3						CLEVIS PIN, 5/16" X 1" LG.....	3
68	10387-G3						COTTER PIN, 3/32" X 3/4" LG.....	3
69								
70	70601-G01						KICK-OFF LINK.....	1
71	17838-G1						NYLON BUSHING.....	2
72	20835-G1						TEFLON WASHER, 3/8"	2
73	00559-G8						WASHER, 5/16"	2
74	10387-G3						COTTER PIN, 3/32" X 3/4" LG.....	2
75	70098-G01						KICK-OFF CAM PIVOT.....	1
76	10097-G6						FLANGED BEARING	2
77	25103-G2						KICK-OFF CAM.....	1
78	71215-G01						SETSCREW, 1/4 - 20 X 1/2" LG.....	2
79	14134-G4						SPACER.....	1
80								
81	70113-G01						ADJUSTABLE BUMPER.....	1
82	11027-G1						LOCK NUT, 5/16 - 18	1
83								
84	70080-G01						CATCH BRACKET	1
85	00414-G6						BOLT, 1/4 - 20 X 3/4" LG.....	2
86	00891-G2						LOCK NUT, 1/4 - 20	2
87	11027-G2						LOCK NUT, 1/4 - 20	2



When ordering parts, please specify the model and serial number of the product.
 * Indicates a component that is not available as an individual part.
 G** Indicates consult Customer Service Department for additional information.

ITEM	PART NO.	1	2	3	4	5	DESCRIPTION	QTY.
88	72422-G01						BRAKE ASSEMBLY (DRIVER SIDE) (INCLUDES ITEMS 90 - 98).....	1
89	72422-G02						BRAKE ASSEMBLY (PASSENGER SIDE) (INCLUDES ITEMS 90 - 97, 99)	1
90	27945-G01						BRAKE SHOE KIT (INCLUDES ITEM 91).....	2
91	*						BRAKE SHOE.....	2
92	27944-G01						BRAKE SPRING KIT (INCLUDES ITEMS 93 - 97)	2
93	*						UPPER SPRING	1
94	*						LOWER SPRING	1
95	*						PIN	2
96	*						CUP AND SPRING	2
97	*						ADJUSTER SPRING	1
98	72582-G01						BRAKE ADJUSTER KIT (DRIVER SIDE) (INCLUDES ITEMS 100 - 101)...	1
99	72582-G02						BRAKE ADJUSTER KIT (PASSENGER SIDE) (INCL ITEMS 100 - 101) ...	1
100	*						ADJUSTER	1
101	*						TEFLON WASHER	2
102	17083-G2						BOLT, 5/16 - 24 X 1" LG.....	8
103	15126-G1						LOCK NUT, 5/16 - 24	8
104	21809-G1						INNER BRAKE DRUM WASHER, 1 5/16" O.D. X 1" I.D. X 1/32".....	2
105								
106	21807-G1						BRAKE DRUM ASSEMBLY (INCLUDES ITEMS 107 - 108)	2
107	*						BRAKE DRUM.....	1
108	19862-G1						LUG BOLT, 1/2 - 20 X 1 7/32" LG	4
109	14723-G1						LUG NUT, 1/2 - 20.....	8
110								
111	21830-G1						WASHER, 1 1/2" O.D. X 3/4" I.D. X 1/8".....	2
112	00518-G8						SLOTTED NUT, 3/4 - 16	2
113	10387-G1						COTTER PIN, 1/8" X 1 1/2" LG.....	2
114	74175-G01						SPINDLE CAP	2
115								
116	72036-G02						BRAKE CABLE BRACKET (PASSENGER SIDE)	1
117	72237-G02						BRAKE CABLE BRACKET (DRIVER SIDE).....	1





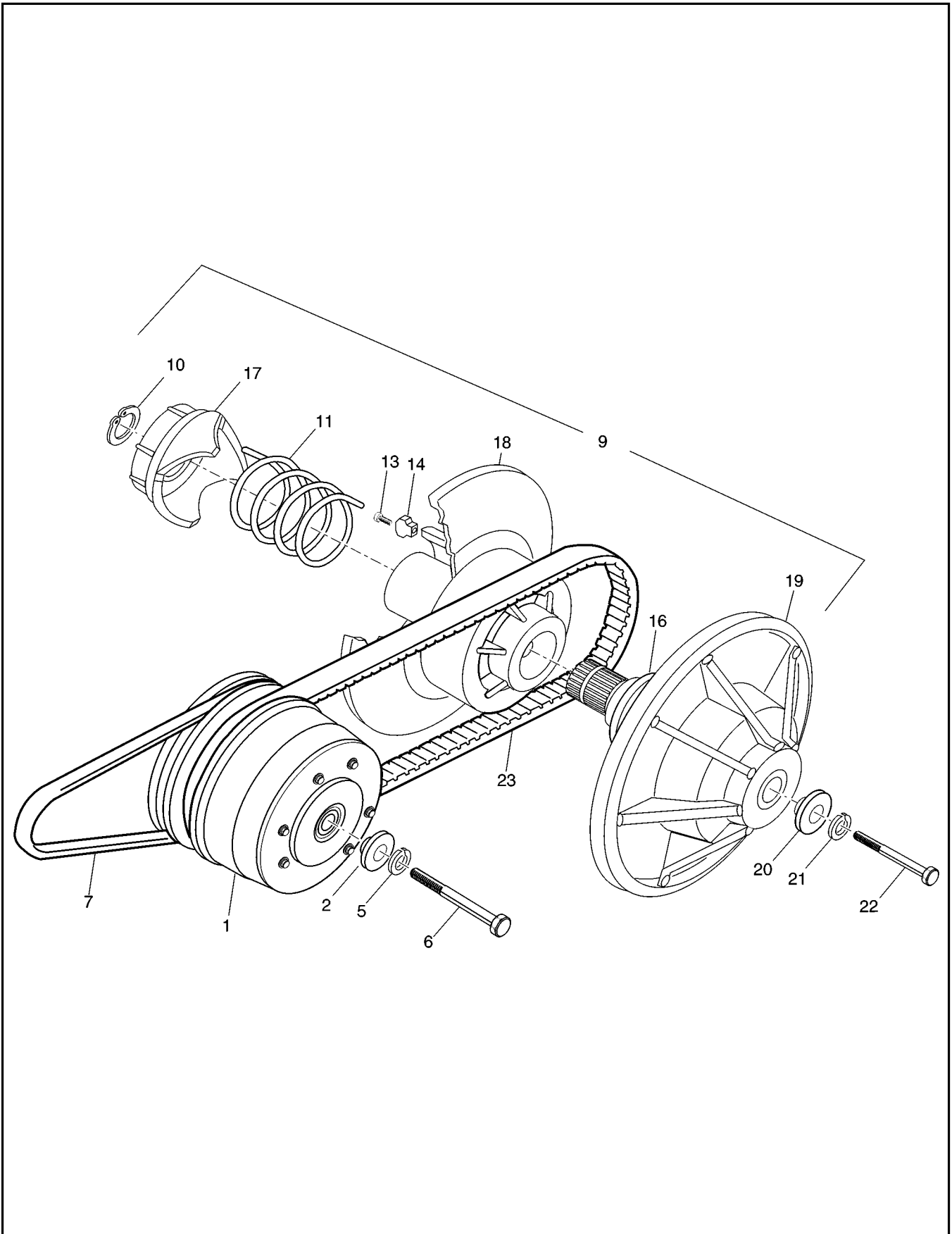
1 Includes Items 3 - 18



When ordering parts, please specify the model and serial number of the product.
 * Indicates a component that is not available as an individual part.
 G** Indicates consult Customer Service Department for additional information.

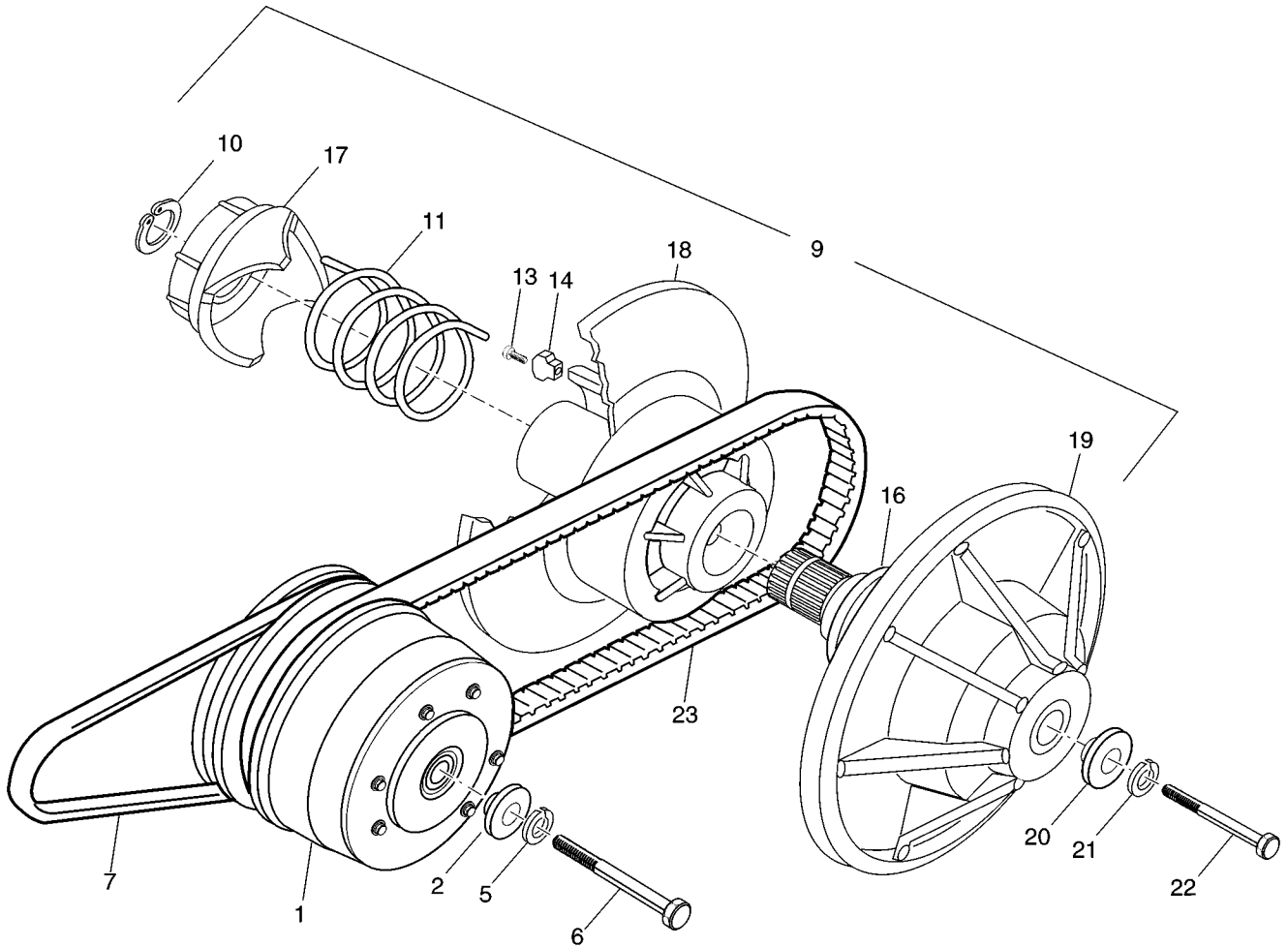
ITEM	PART NO.	1	2	3	4	5	DESCRIPTION	QTY.	
1	72558-G01	CARBURETOR ASSEMBLY (INCLUDES ITEMS 3 - 18)							1
2									
3	26646-G09	MAIN JET (#92)							1
4	*	CARBURETOR BODY							1
5	*	PILOT SCREW							1
6	26649-G05	PILOT JET (#46).....							1
7	26841-G01	PLUG							1
8	72306-G01	GASKET							1
9	72578-G01	NEEDLE VALVE							1
10	72576-G01	MAIN NOZZLE.....							1
11	26648-G01	FLOAT							1
12	26840-G01	FLOAT PIN							1
13	26843-G01	FLOAT BOWL GASKET							1
14	26844-G01	FLOAT CHAMBER							1
15	26839-G01	BOWL SCREW.....							1
16	26838-G01	BOWL GASKET.....							1
17	*	DRAIN SCREW							1
18	26650-G01	VENT TUBE.....							2
19									
20	26646-G01	MAIN JET (#88) (FOR ELEVATIONS OF 3000 FT - 6000 FT)							1
21	26646-G08	MAIN JET (#86) (FOR ELEVATIONS OF 6000 FT - 10000 FT)							1
22									
23	26726-G01	CARBURETOR MOUNT GASKET							2
24	72311-G01	CARBURETOR INSULATOR.....							1





When ordering parts, please specify the model and serial number of the product.
 * Indicates a component that is not available as an individual part.
 G** Indicates consult Customer Service Department for additional information.

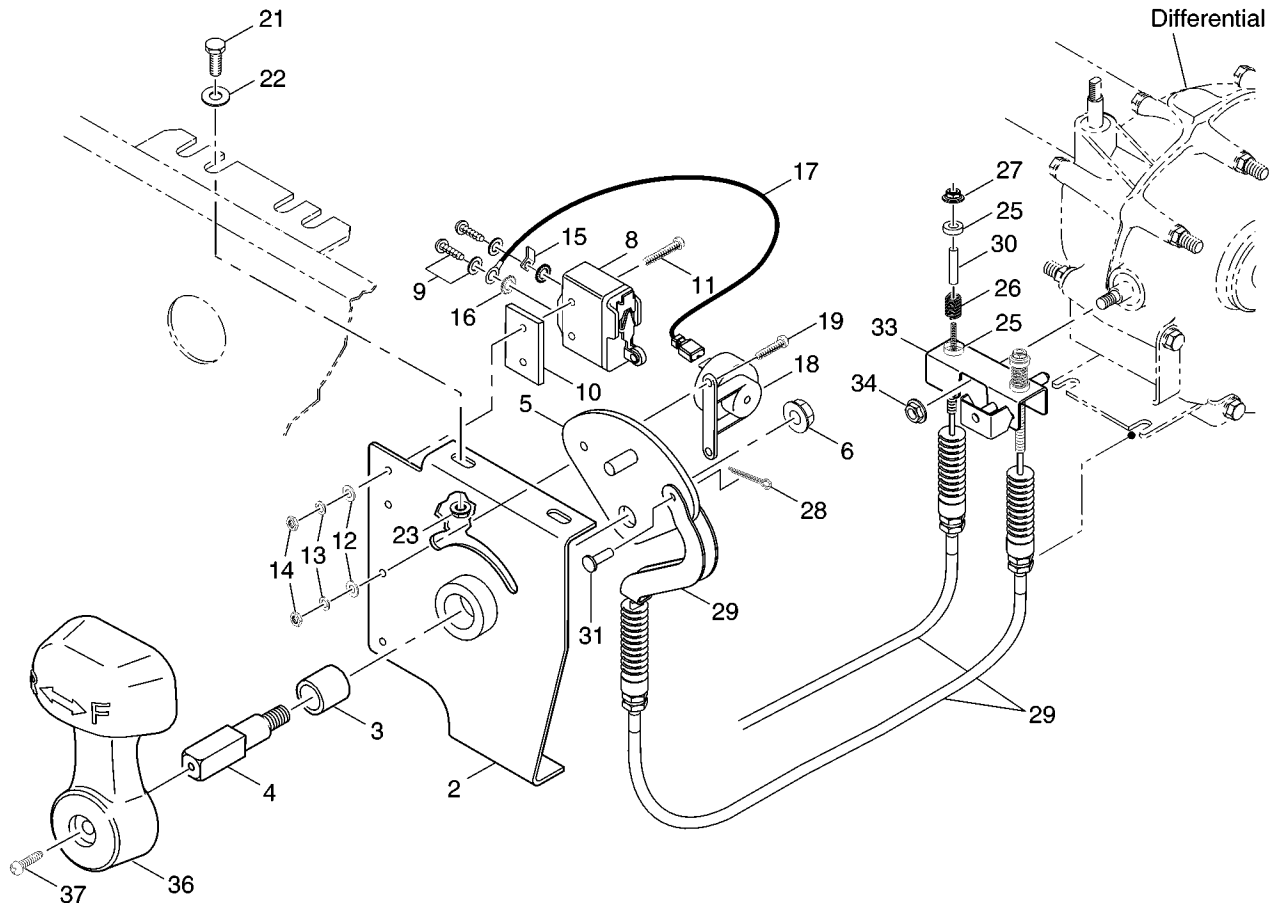
ITEM	PART NO.	1 2 3 4 5	DESCRIPTION	QTY.
1	26952-G01		DRIVE CLUTCH.....	1
2	25757-G1		PILOT WASHER	1
3				
4				
5	00566-G2		LOCK WASHER, 7/16"	1
6	00473-G9		BOLT, 7/16 - 20 X 6 1/2" LG.....	1
7	26414-G01		STARTER / GENERATOR BELT.....	1
8				
9	26301-G02		DRIVEN CLUTCH ASSEMBLY (INCLUDES ITEMS 10 - 19)	1
10	27270-G01		HEAVY DUTY RETAINING RING.....	1
11	26304-G01		COMPRESSION SPRING	1
12				
13	00979-G01		SCREW, #10 - 24 x 7/8" LG	3
14	26479-G01		RAMP BUTTON.....	3
15				
16	24600-G1		SPACER	1
17	*		CAM.....	1
18	*		MOVABLE SHEAVE	1
19	*		SHEAVE AND POST	1
20	25756-G1		RETAINING WASHER	1
21	00565-G8		LOCK WASHER, 5/16"	1
22	00441-G8		BOLT, 5/16 - 18 X 4" LG.....	1
23	72054-G01		DRIVE BELT	1



When ordering parts, please specify the model and serial number of the product.
 * Indicates a component that is not available as an individual part.
 G** Indicates consult Customer Service Department for additional information.

ITEM	PART NO.	1 2 3 4 5	DESCRIPTION	QTY.
1	26952-G02		DRIVE CLUTCH.....	1
2	25757-G1		PILOT WASHER	1
3				
4				
5	00566-G2		LOCK WASHER, 7/16"	1
6	00473-G9		BOLT, 7/16 - 20 X 6 1/2" LG.....	1
7	26414-G01		STARTER / GENERATOR BELT.....	1
8				
9	25632-G03		DRIVEN CLUTCH ASSEMBLY (INCLUDES ITEMS 10 - 19)	1
10	27270-G01		HEAVY DUTY RETAINING RING.....	1
11	25612-G1		COMPRESSION SPRING	1
12				
13	00979-G01		SCREW, #10 - 24 x 7/8" LG	3
14	26479-G01		RAMP BUTTON.....	3
15				
16	24600-G1		SPACER	1
17	*		CAM.....	1
18	*		MOVABLE SHEAVE	1
19	*		SHEAVE AND POST	1
20	25756-G1		RETAINING WASHER	1
21	00565-G8		LOCK WASHER, 5/16"	1
22	00441-G8		BOLT, 5/16 - 18 X 4" LG.....	1
23	72054-G01		DRIVE BELT	1

1 - Includes Items 2 - 23



When ordering parts, please specify the model and serial number of the product.
 * Indicates a component that is not available as an individual part.
 G** Indicates consult Customer Service Department for additional information.

ITEM	PART NO.	1 2 3 4 5	DESCRIPTION	QTY.
1	70594-G02		DIRECTION SELECTOR ASSEMBLY (INCLUDES ITEMS 2 - 23)	1
2	25684-G01		DIRECTION SELECTOR BRACKET.....	1
3	25664-G1		BUSHING	1
4	27537-G01		DIRECTION SELECTOR SHAFT	1
5	25745-G01		DIRECTION SELECTOR CAM.....	1
6	14390-G1		LOCK NUT, 3/8 - 24.....	1
7				
8	10606-G1		MICRO SWITCH.....	1
9	*		SCREW AND WASHER ASSEMBLY	2
10	27151-G01		SPACER	1
11	00645-G2		SCREW, #6 - 32 X 1 1/4" LG.....	2
12	00559-G3		WASHER, #6	4
13	00565-G3		LOCK WASHER, #6	4
14	00525-G5		NUT, #6 - 32.....	4
15	14628-G1		FASTON TAB.....	1
16	00567-G3		LOCK WASHER, #6	2
17	25978-G234		18 GA. WIRE (RED 6").....	1
18	73290-G02		REVERSE WARNING BUZZER.....	1
19	00138-G5		SCREW, #6 - 32 X 5/8" LG.....	2
20				
21	00414-G6		BOLT, 1/4 - 20 X 3/4" LG.	2
22	00559-G7		WASHER, 1/4"	2
23	11027-G2		LOCK NUT, 1/4 - 20.....	2
24				
25	25727-G01		CUP WASHER.....	4
26	27764-G01		SPRING	2
27	11098-G7		NUT, #10 - 24	2
28	10387-G8		COTTER PIN, 1/16" X 3/4" LG.....	2
29	72341-G01		SHIFTER CONTROL CABLE.....	2
30	23726-G5		SPACER.....	2



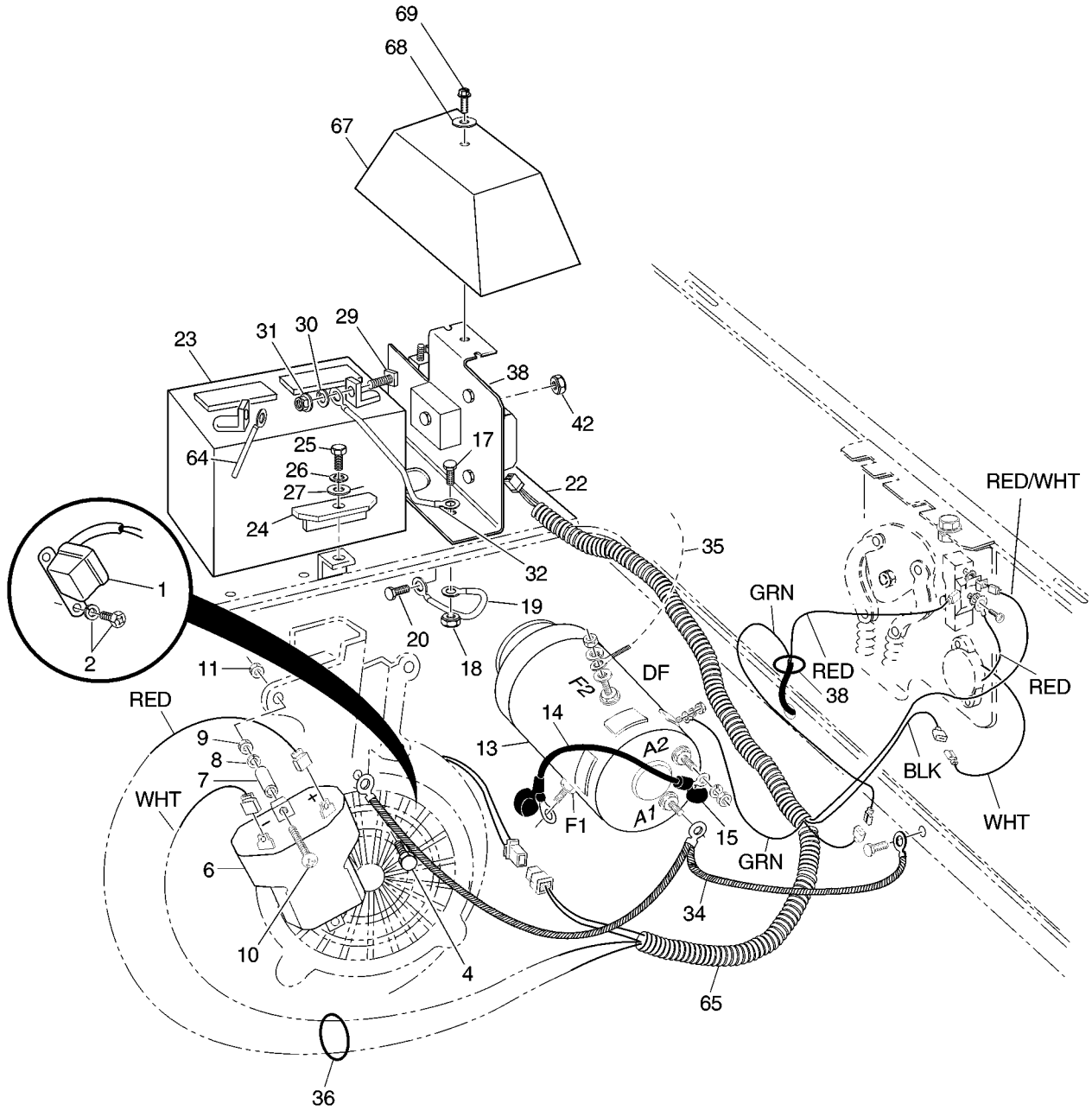
DIRECTION SELECTOR

Gasoline Vehicle

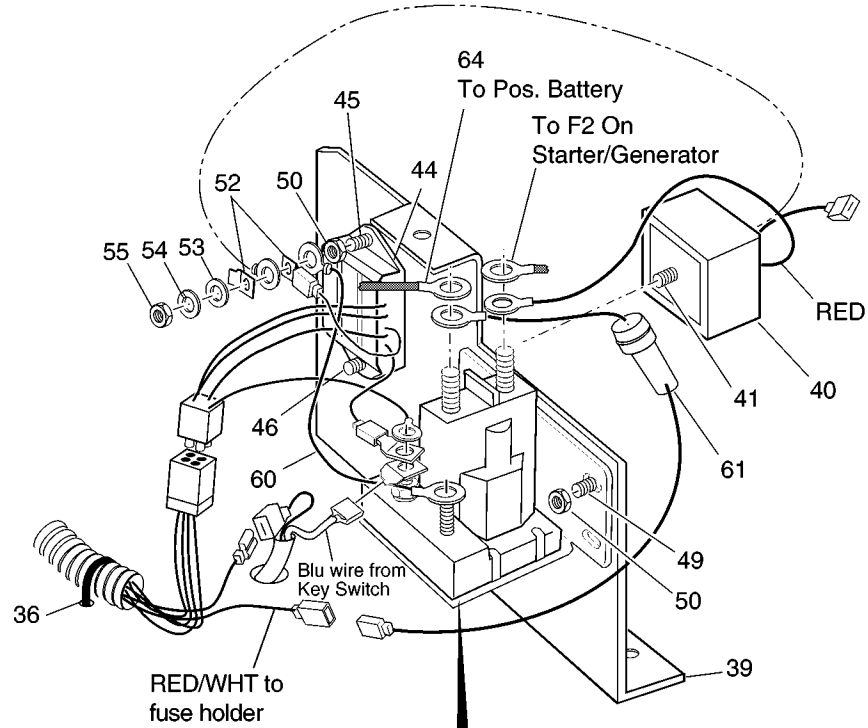
When ordering parts, please specify the model and serial number of the product.
* Indicates a component that is not available as an individual part.
G** Indicates consult Customer Service Department for additional information.

ITEM	PART NO.	1 2 3 4 5	DESCRIPTION	QTY.
31	23176-G1		CLEVIS PIN, 5/16" X 3/8" LG.....	2
32				
33	25946-G01		SHIFTER CONTROL PIVOT.....	1
34	26830-G01		SHIFTER LEVER NUT, M8 X 1.25 MM.....	1
35				
36	71205-G01		DIRECTION SELECTOR HANDLE.....	1
37	00740-G4		SCREW, #10 - 32 X 1/2" LG. (STAINLESS STEEL).....	1

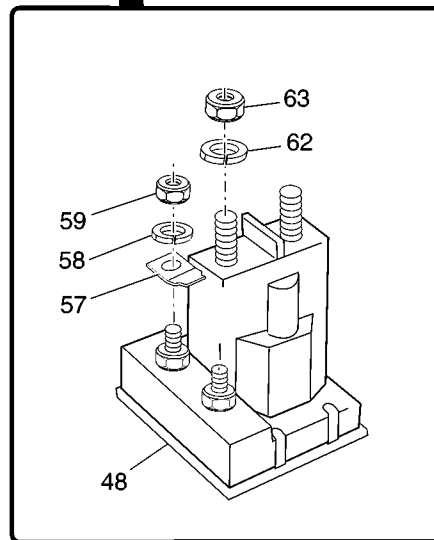


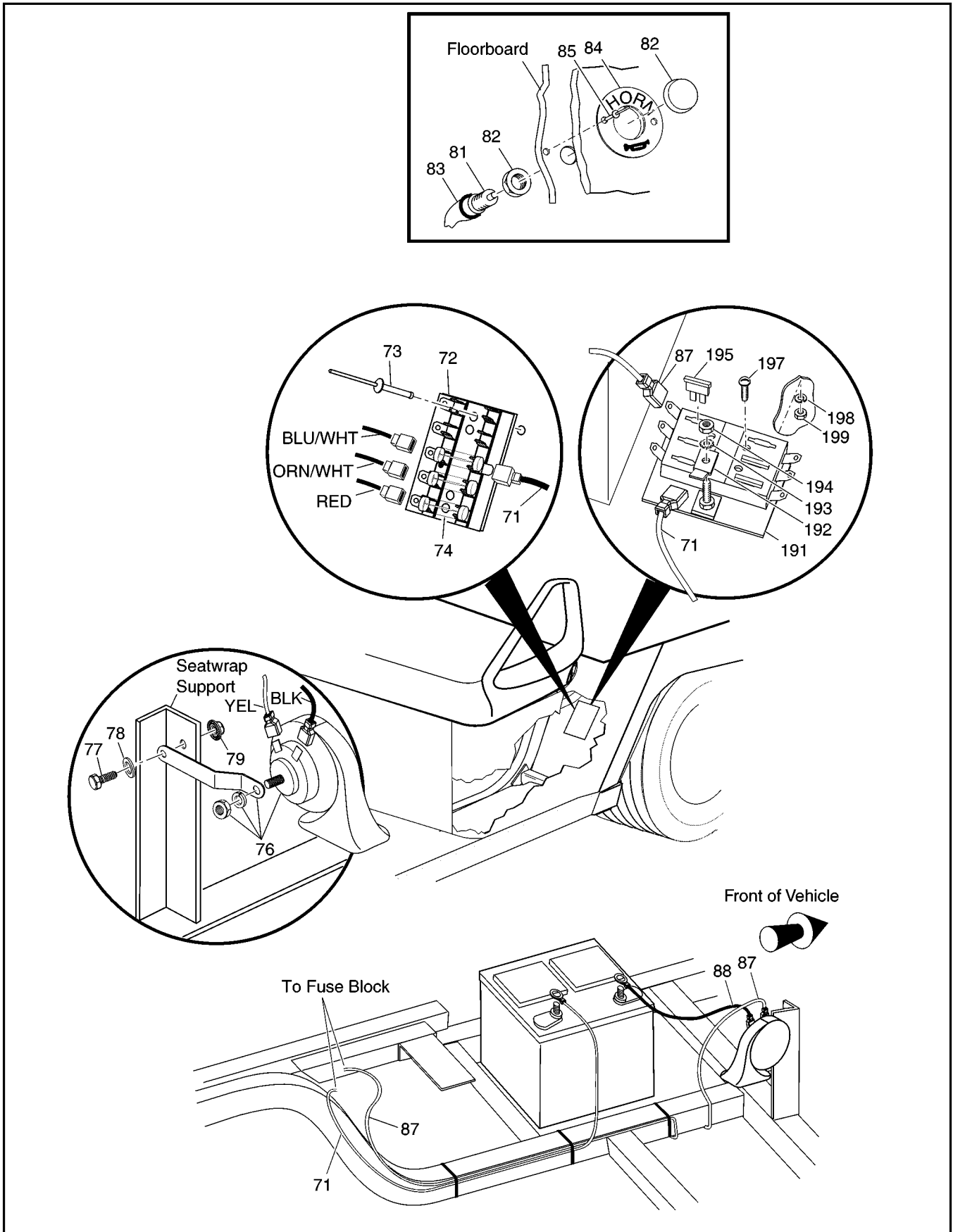


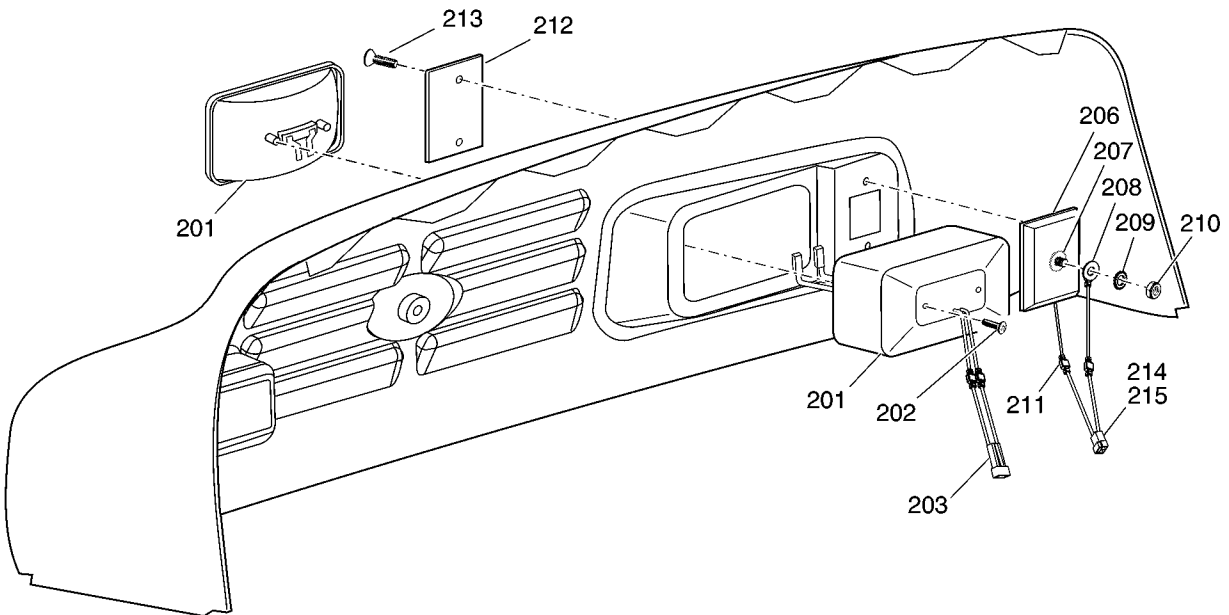
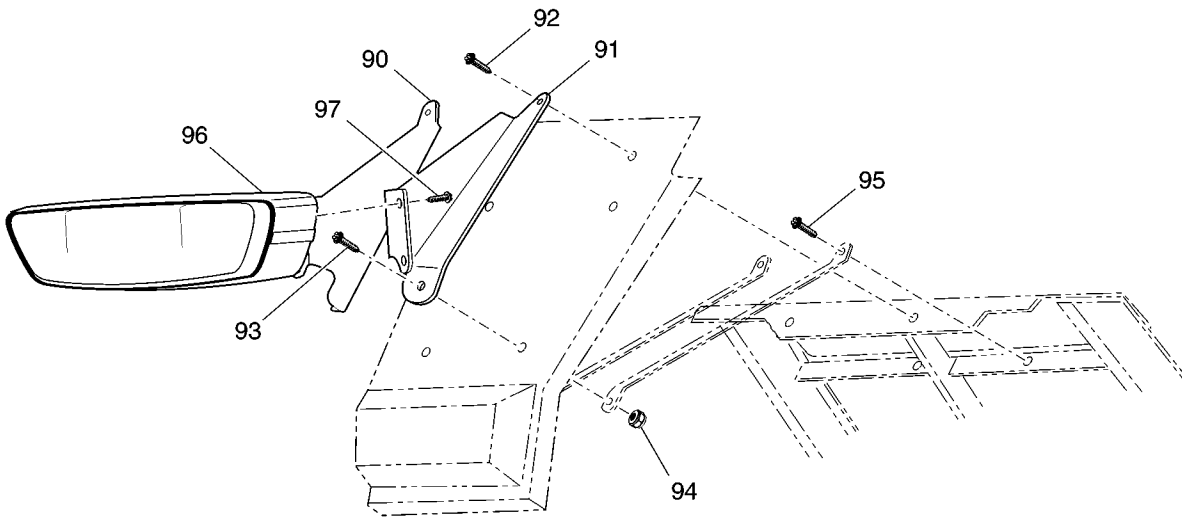
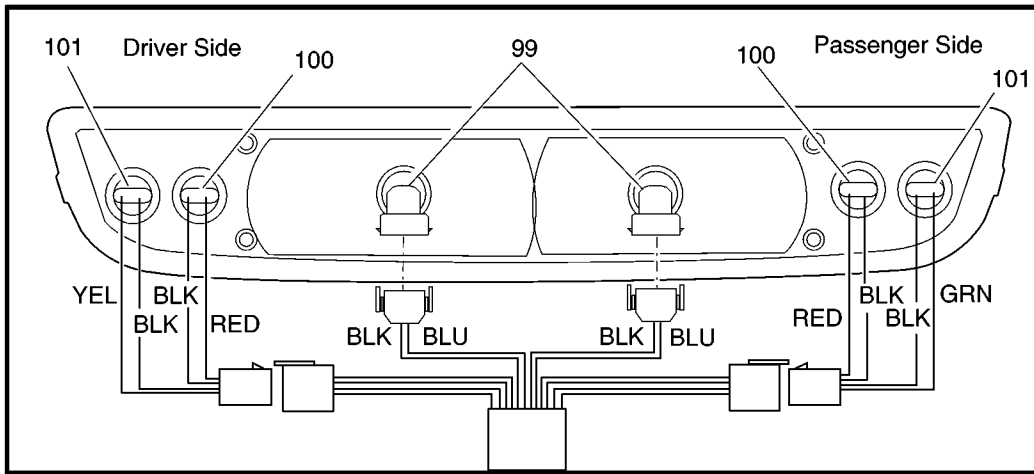
5 - Includes Items 6 - 10

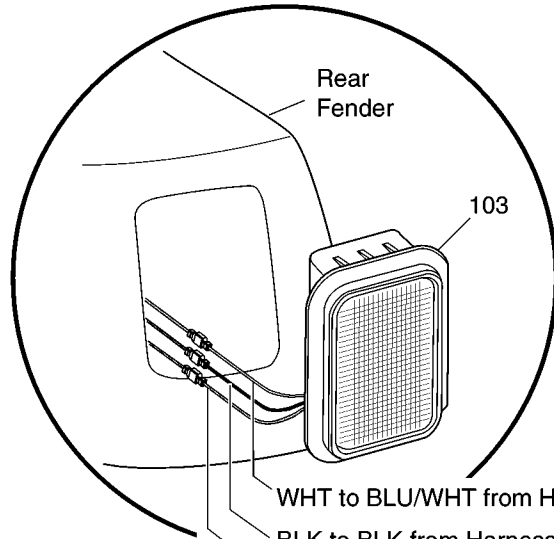


38 - Includes Items 39 - 64

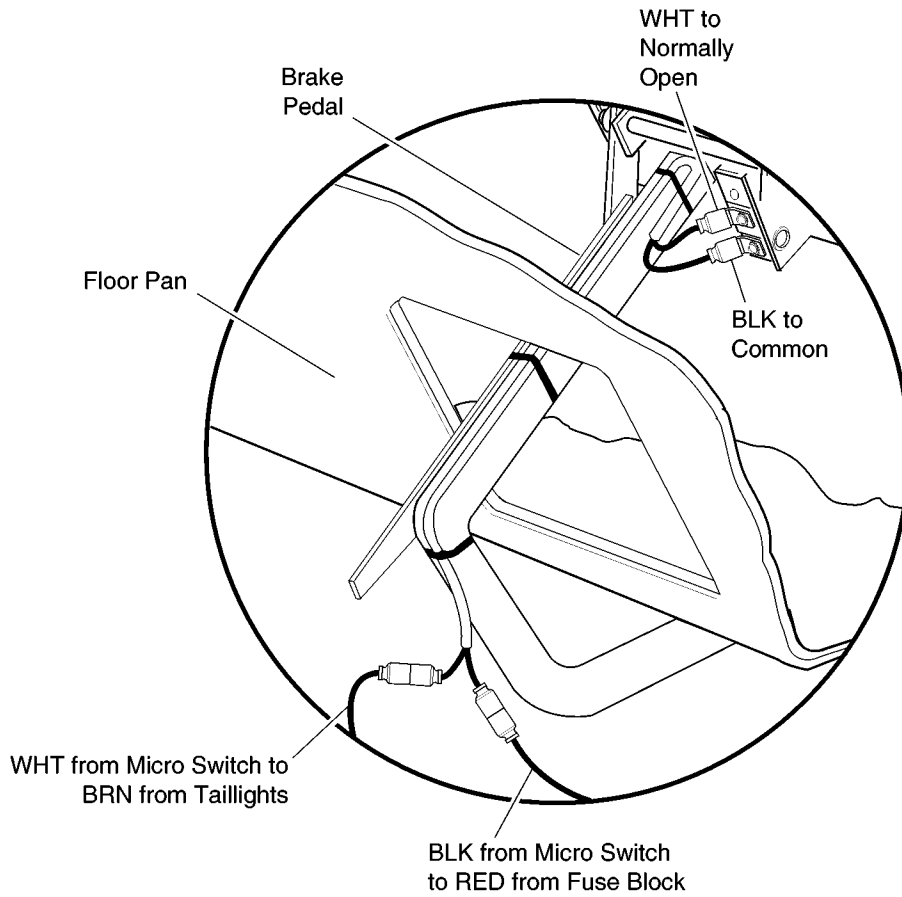




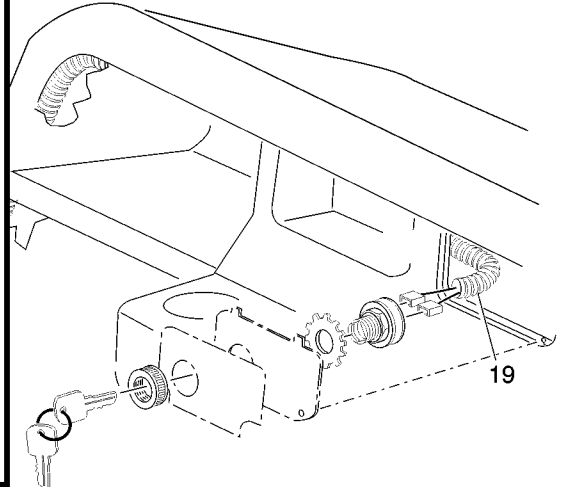
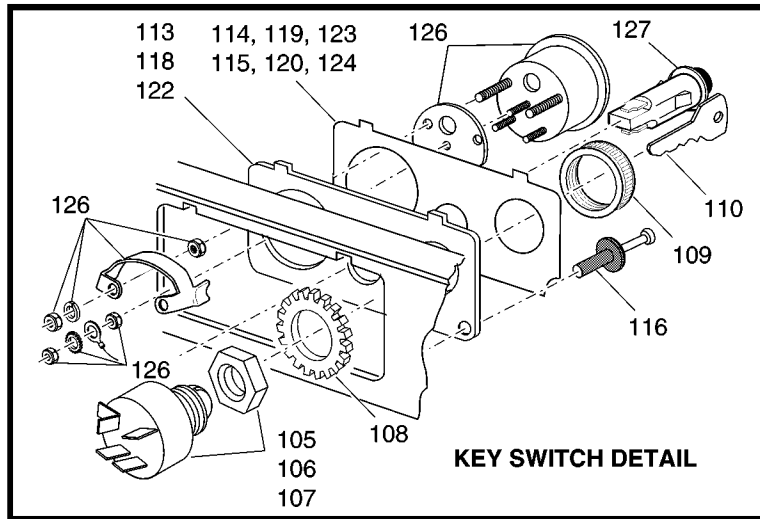




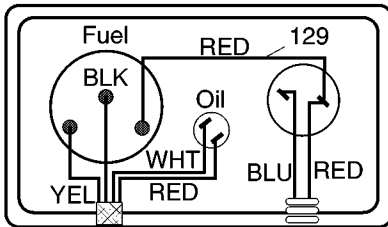
- WHT to BLU/WHT from Harness - Both Sides
- BLK to BLK from Harness - Both Sides
- RED to BRN from Harness - Both Sides (without Turn Signals)
- RED to WHT from Harness - Driver Side (with Turn Signals)
- RED to YEL from Harness - Passenger Side (with Turn Signals)



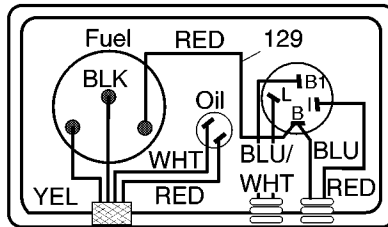
BRAKE LIGHTS MICRO SWITCH CONNECTION



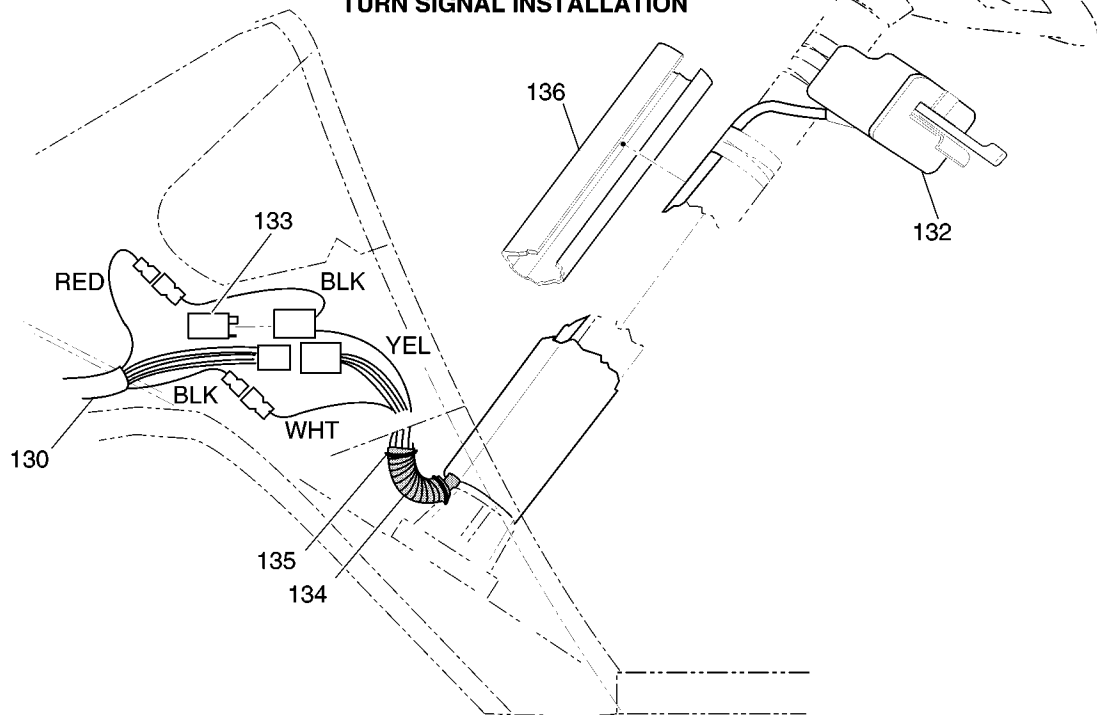
KEY SWITCH WITHOUT LIGHTS

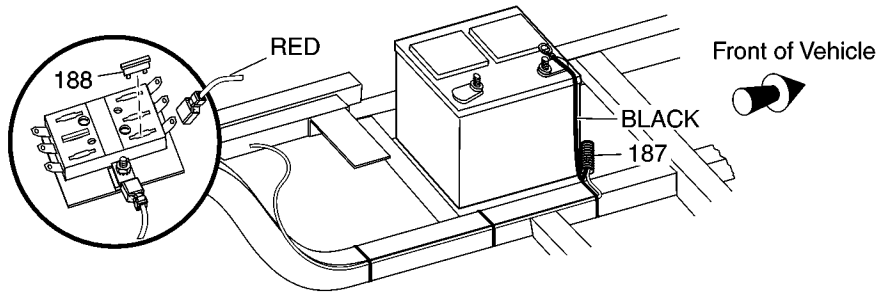
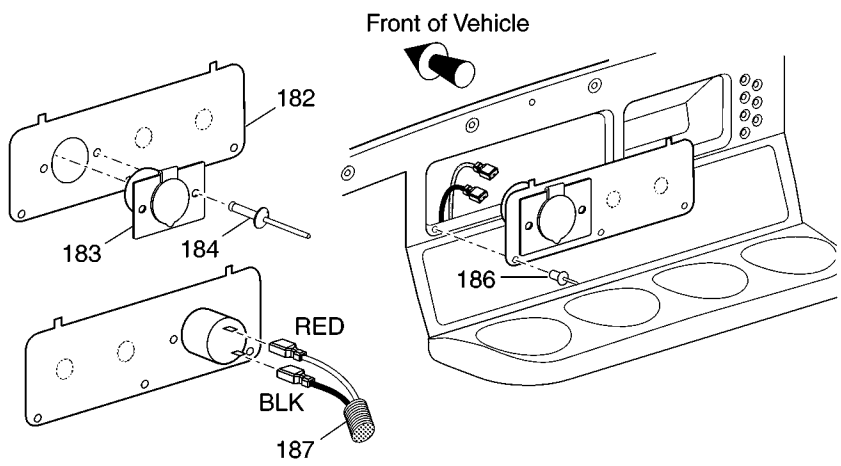
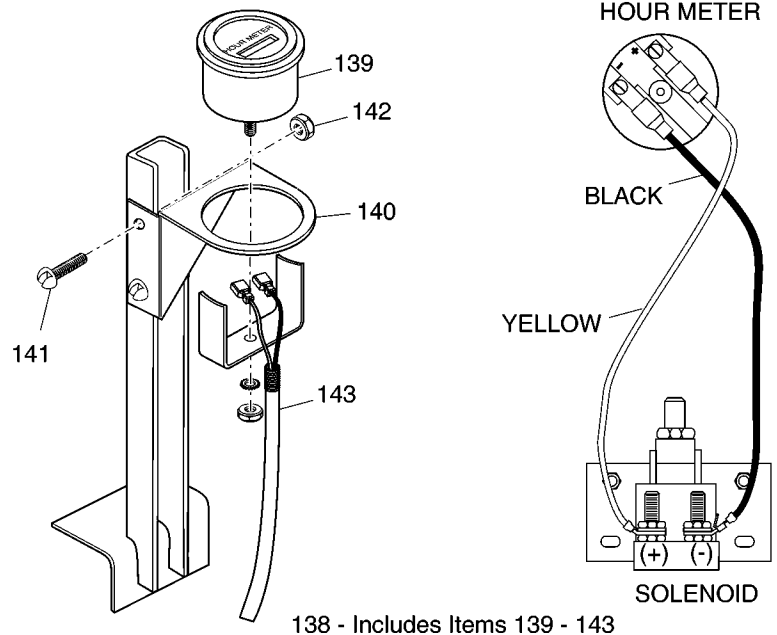


KEY SWITCH WITH LIGHTS

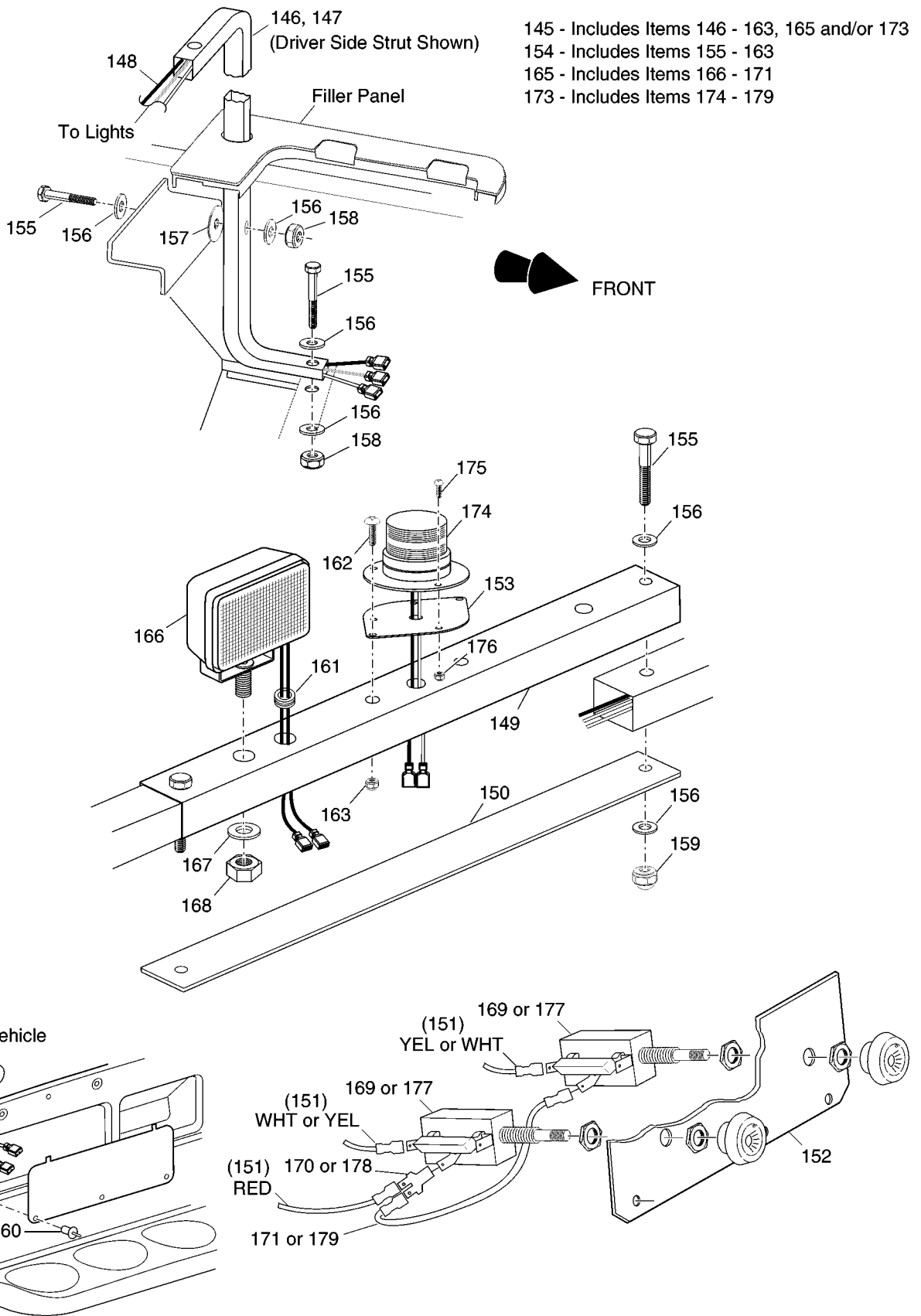


TURN SIGNAL INSTALLATION





Work And Strobe Lights



When ordering parts, please specify the model and serial number of the product.

* Indicates a component that is not available as an individual part.

G** Indicates consult Customer Service Department for additional information.

ITEM	PART NO.	1 2 3 4 5	DESCRIPTION	QTY.
1	26651-G02		IGNITION PICKUP ASSEMBLY (INCLUDES ITEM 2).....	1
2	26707-G01		BOLT AND WASHER ASSEMBLY, M5 X .8 X 10 MM LG.	1
3				
4	26676-G01		SCREW, M6 X 1 X 23 MM LG.....	1
5	26652-G01		IGNITION COIL ASSEMBLY (INCLUDES ITEMS 6 - 10)	1
6	*		IGNITION COIL.....	1
7	*		SPACER	1
8	*		LOCK WASHER	1
9	*		NUT.....	1
10	*		SCREW.....	1
11	13632-G1		NUT, M6 X 1.....	2
12				
13	XXXXX-XX		SEE STARTER / GENERATOR	X
14	25887-G01		6 GA WIRE (BLACK 6", F1 - A2).....	1
15	25682-G1		TERMINAL COVER	3
16				
17	00438-G6		SCREW, 5/16 - 18 X 3/4" LG.....	2
18	11027-G1		LOCK NUT, 5/16 - 18	2
19	25976-G19		14 GA WIRE (BLACK 6")	1
20	00715-G2		SCREW, 5/16 - 18 X 13/16" LG.....	1
21				
22	70245-G01		BATTERY TRAY.....	1
23	24775-G*		BATTERY, 12V	1
24	72101-G01		BATTERY HOLD DOWN.....	1
25	00438-G6		BOLT, 5/16 - 18 X 3/4" LG.	1
26	00565-G8		LOCK WASHER, 5/16".....	1
27	00571-G2		WASHER, 5/16"	1
28				
29	00962-G1		BOLT, 5/16 - 18 X 1 1/4" LG.....	2
30	00993-G01		LOCK WASHER, 5/16" (SILICON BRONZE).....	2

When ordering parts, please specify the model and serial number of the product.
 * Indicates a component that is not available as an individual part.
 G** Indicates consult Customer Service Department for additional information.

ITEM	PART NO.	1 2 3 4 5	DESCRIPTION	QTY.
31	00994-G01		NUT, 5/16 - 18 (SILICON BRONZE)	2
32	28519-G01		BATTERY GROUND CABLE	1
33				
34	28520-G01		ENGINE GROUND CABLE.....	1
35	25972-G85		6 GA WIRE (BLACK 23", F2 - SOL).....	1
36	17618-G1		WIRE TIE	AR
37				
38	73059-G01		ELECTRICAL PLATE ASSEMBLY (INCLUDES ITEMS 39 - 64)	1
39	73057-G01		BRACKET.....	1
40	27739-G01		VOLTAGE REGULATOR	1
41	00415-G2		SCREW, 1/4 - 20 X 1 1/4" LG.....	1
42	11027-G2		LOCK NUT, 1/4 - 20.....	1
43				
44	27746-G01		IGNITOR.....	1
45	00414-G8		SCREW, 1/4 - 20 X 1" LG.....	1
46	00414-G5		SCREW, 1/4 - 20 X 5/8" LG.....	1
47				
48	27153-G01		SOLENOID	1
49	00414-G5		SCREW, 1/4 - 20 X 5/8" LG.....	1
50	11027-G2		LOCK NUT, 1/4 - 20.....	4
51				
52	12914-G2		FASTON TAB.....	2
53	00650-G7		WASHER, 1/4"	1
54	00565-G7		LOCK WASHER, 1/4"	1
55	00532-G1		NUT, 1/4 - 20.....	1
56				
57	12914-G1		FASTON TAB.....	2
58	00565-G5		LOCK WASHER, #10	2
59	00526-G4		NUT, #10 - 32.....	2
60	25978-G56		18 GA WIRE (BLACK 5 3/4").....	1



When ordering parts, please specify the model and serial number of the product.

* Indicates a component that is not available as an individual part.

G** Indicates consult Customer Service Department for additional information.

ITEM	PART NO.	1 2 3 4 5	DESCRIPTION	QTY.
61	22585-G3		IN-LINE FUSE HOLDER	1
62	00565-G8		LOCK WASHER, 5/16"	2
63	00544-G4		NUT, 5/16 - 24.....	2
64	25972-G33		6 GA WIRE (BLACK 24", B+ - SOL)	1
65	70596-G01		WIRE HARNESS (CONTROL).....	1
66				
67	73049-G01		COVER.....	1
68	16469-G7		WASHER, 1/4"	1
69	00114-G6		SCREW, 1/4 - 14 X 3/4" LG.....	1
70				
71	25974-G22		WIRE (WHITE), POWER	1
72	22674-G1		FUSE BLOCK (1200)	1
73	71010-G01		RIVET, 5/32" X 3/8" LG (1200).....	2
74	18392-G1		15 AMP FUSE (1200).....	3
75				
76	32860-G1		HORN.....	1
77	00414-G5		BOLT, 1/4 - 20 x 5/8" LG.....	1
78	00559-G8		WASHER, 5/16"	1
79	00891-G2		LOCK NUT, 1/4 - 20	1
80				
81	17318-G1		HORN SWITCH.....	1
82	17318-G2		HORN SWITCH CAP AND NUT	1
83	27068-G01		HORN SWITCH BOOT	1
84	19233-G1		HORN SWITCH LABEL	1
85	71055-G01		RIVET, 5/32" X 3/8" GRIP (STAINLESS STEEL)	2
86				
87	73214-G01		HORN HARNESS	1
88	25977-G40		WIRE (BLACK), HORN GROUND	1
89				
90	74236-G01		LIGHT BRACKET (PASSENGER SIDE).....	1

When ordering parts, please specify the model and serial number of the product.
 * Indicates a component that is not available as an individual part.
 G** Indicates consult Customer Service Department for additional information.

ITEM	PART NO.	1	2	3	4	5	DESCRIPTION	QTY.
91	74236-G02						LIGHT BRACKET (DRIVER SIDE)	1
92	01038-G01						SCREW, 1/4-14 X 3/4" LG.	2
93	00414-G6						BOLT, 1/4 - 20 X 3/4" LG.....	2
94	11027-G2						LOCK NUT, 1/4 - 20	2
95	01038-G01						SCREW, 1/4 - 14 X 3/4" LG	2
96	74001-G01						HEADLIGHT AND TURN SIGNAL LIGHT	1
97	00114-G6						SCREW, 1/4 - 14 X 3/4" LG.	4
98								
99	74004-G01						HEADLIGHT BULB	AR
100	74005-G01						MARKER LIGHT BULB.....	AR
101	74006-G01						TURN SIGNAL BULB.....	AR
102								
103	32739-G2						TAILLIGHT ASSEMBLY (COMPLETE)	1
104								
105	17955-G1						IGNITION SWITCH (WITHOUT LIGHTS).....	1
106	18027-G1						IGNITION SWITCH (WITHOUT LIGHTS - INDIVIDUALLY KEYED)	1
107	33639-G01						IGNITION SWITCH (WITH LIGHTS)	1
108	00568-G6						LOCK WASHER, 3/4"	1
109	17137-G1						FACE NUT, 3/4 - 20.....	1
110	17063-G1						IGNITION KEY (SET).....	1
111	73041-G01						WIRE HARNESS (KEY SWITCH).....	1
112								
113	73030-G01						PLATE (IGNITION SWITCH ONLY)	1
114	71181-G02						DECAL (IGNITION SWITCH ONLY) WITHOUT HEADLIGHTS	1
115	71181-G01						DECAL (IGNITION SWITCH ONLY) WITH HEADLIGHTS	1
116	33623-G02						RIVET, 3/16" X 3/8" LG	2
117								
118	73030-G03						PLATE (IGNITION SWITCH AND INDICATOR LIGHTS)	1
119	71125-G01						DECAL (SWITCH AND INDICATOR LIGHTS) WITHOUT HEADLIGHTS.....	1
120	71183-G01						DECAL (IGNITION SWITCH AND INDICATOR LIGHTS) WITH HEADLIGHTS	1



When ordering parts, please specify the model and serial number of the product.
 * Indicates a component that is not available as an individual part.
 G** Indicates consult Customer Service Department for additional information.

ITEM	PART NO.	1 2 3 4 5	DESCRIPTION	QTY.
121				
122	73030-G04		PLATE (IGNITION SWITCH, LOW OIL LIGHT AND FUEL GAUGE)	1
123	71127-G01		DECAL (IGNITION SWITCH, LOW OIL LIGHT AND FUEL GAUGE) WITH- OUT HEADLIGHTS.....	1
124	71131-G01		DECAL (SWITCH, LOW OIL LIGHT AND FUEL GAUGE) WITH HEADLIGHTS	1
125				
126	21553-G1		FUEL GAUGE	1
127	23474-G1		INDICATOR LIGHT	1
128	74029-G02		HARNESS (OIL LIGHT/FUEL GAUGE)	1
129	25978-G122		18 GA WIRE (RED) 6" LG.....	1
130	72228-G01		HARNESS (ACCESSORY)	1
131				
132	17867-G1		TURN SIGNAL (WITH MOUNTING HARDWARE)	1
133	21640-G1		TURN SIGNAL FLASHER	1
134	32307-G3		FLEX LOOM, 3/8 X 8" LG.	1
135	17618-G1		WIRE TIE	2
136	20965-G3		STEERING COLUMN COVER.....	1
137				
138	75114-G02		HOUR METER KIT (INCLUDES ITEMS 139 - 143).....	1
139	21573-G1		HOUR METER ASSEMBLY.....	1
140	74019-G01		HOUR METER BRACKET.....	1
141	00150-G4		SCREW, #10 - 24 X 1/2" LG.	2
142	11098-G7		LOCK NUT, #10- 24.....	2
143	75117-G01		WIRE HARNESS (HOUR METER).....	1
144				
145	75354-G**		WORK LIGHT BAR WITH LIGHTS AND/OR STROBE (INCLUDES ITEMS 146 - 163, 165 AND/OR 173).....	1
146	75352-G01		STRUT (DRIVER SIDE).....	1
147	75352-G02		STRUT (PASSENGER SIDE)	1
148	75346-G01		WIRE HARNESS (WORK LIGHT)	1
149	75353-G01		BRACE.....	1



When ordering parts, please specify the model and serial number of the product.
 * Indicates a component that is not available as an individual part.
 G** Indicates consult Customer Service Department for additional information.

ITEM	PART NO.	1	2	3	4	5	DESCRIPTION	QTY.
150	75363-G01						COVER PLATE.....	1
151	75347-G01						SWITCH HARNESS.....	1
152	71077-G**						LIGHT SWITCH PLATE.....	1
153	33201-G02						STROBE LIGHT MOUNT (USED ONLY WITH STROBE LIGHT).....	1
154	75365-G01						HARDWARE KIT (INCLUDES ITEMS 155 - 163).....	1
155	00685-G7						BOLT, 5/16 - 18 X 1 3/4" LG.....	6
156	00660-G8						WASHER, 5/16".....	12
157	15121-G1						WASHER, 3/8" X 1 1/4".....	2
158	11098-G6						LOCK NUT, 5/16 - 18.....	4
159	00918-G3						ACORN NUT, 5/16 - 18.....	2
160	33623-G02						DRIVE RIVET, 3/16" X 3/8" LG.....	3
161	20367-G1						GROMMET.....	2
162	16705-G3						SCREW, 1/4 - 20 X 3/4" LG.....	2
163	14390-G4						LOCK NUT, 1/4 - 20.....	2
164								
165	20383-G2						WORK LIGHT KIT (INCLUDES ITEMS 166 - 171).....	1
166	20209-G2						WORK LIGHT (RECTANGULAR).....	2
167	00566-G3						LOCK WASHER, 1/2".....	2
168	00533-G1						NUT, 1/2 - 13.....	2
169	17317-G1						LIGHT SWITCH.....	1
170	17902-G1						TAB ADAPTER.....	1
171	20053-G1						16 GA WIRE (RED, 5 3/8" LG.).....	1
172								
173	20385-G2						STROBE LIGHT KIT (INCLUDES ITEMS 174 - 179).....	1
174	20394-G1						STROBE LIGHT.....	1
175	00379-G4						SCREW, #10 - 24 x 1/2" LG.....	3
176	11098-G7						LOCK NUT, #10 - 24.....	3
177	17317-G1						LIGHT SWITCH.....	1
178	17902-G1						TAB ADAPTER.....	1
179	20053-G1						16 GA WIRE (RED, 5 3/8" LG.).....	1



When ordering parts, please specify the model and serial number of the product.
 * Indicates a component that is not available as an individual part.
 G** Indicates consult Customer Service Department for additional information.

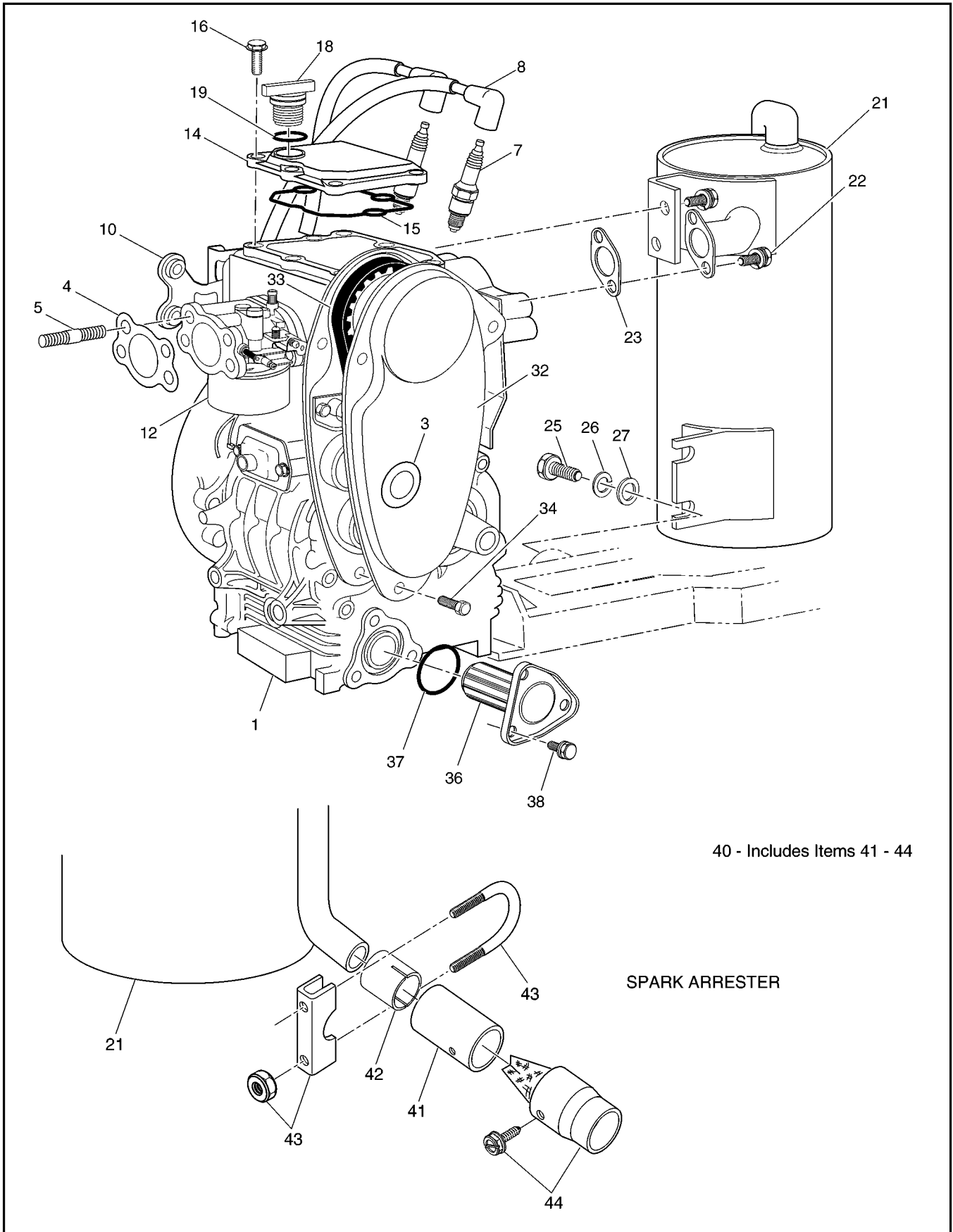
ITEM	PART NO.	1 2 3 4 5	DESCRIPTION	QTY.
180				
181	71080-G01		POWER OUTLET PLATE (INCLUDES ITEMS 182 - 184)	1
182	71077-G01		CONSOLE PLATE.....	1
183	71078-G01		POWER OUTLET (12 VOLT)	1
184	14601-G10		RIVET, 5/32" X 7/16" LG.	2
185				
186	33623-G02		DRIVE RIVET, 3/16" X 3/8" LG.....	3
187	71081-G01		HARNESS	1
188	35212-G01		FUSE, 15 AMP	1
189	17618-G1		WIRE TIE.....	5
190				
191	35211-G01		FUSE BLOCK (1200 LX)	1
192	12914-G1		FAST ON TAB.....	1
193	00567-G5		LOCK WASHER, #10	1
194	00526-G4		NUT, #10 - 32.....	1
195	35212-G01		FUSE, 15 AMP	1
196				
197	00379-G2		SCREW, #10 - 24 X 1 1/4" LG.....	2
198	00559-G5		WASHER, #10	2
199	14390-G10		LOCK NUT, #10 - 24.....	2
200				
201	20209-G3		HEADLIGHT (RECTANGULAR) (INCL ITEM 202) (WORKHORSE 1200 LX) ...	2
202	00906-G6		SCREW, #10 - 16 X 1" LG.....	2
203	74055-G01		JUMPER	2
204				
205	20570-G3		TURN SIGNAL LIGHT (INCLUDES ITEMS 206 - 211).....	2
206	20574-G3		TURN SIGNAL LIGHT.....	1
207	00660-G7		WASHER, 1/4"	1
208	20606-G1		WIRE ASSEMBLY	1
209	00567-G7		LOCK WASHER, 1/4".....	1



When ordering parts, please specify the model and serial number of the product.
 * Indicates a component that is not available as an individual part.
 G** Indicates consult Customer Service Department for additional information.

ITEM	PART NO.	1 2 3 4 5	DESCRIPTION	QTY.
210	00532-G1		NUT, 1/4 - 20.....	1
211	18995-G1		PUSH-ON MALE TERMINAL	1
212	20574-G5		LENS, AMBER	1
213	00118-G5		SCREW, #6 - 18 X 5/8" LG	2
214	74056-G01		JUMPER, RED/BLACK (PASSENGER SIDE)	1
215	74056-G02		JUMPER, GREEN/BLACK (DRIVER SIDE)	1





40 - Includes Items 41 - 44

SPARK ARRESTER

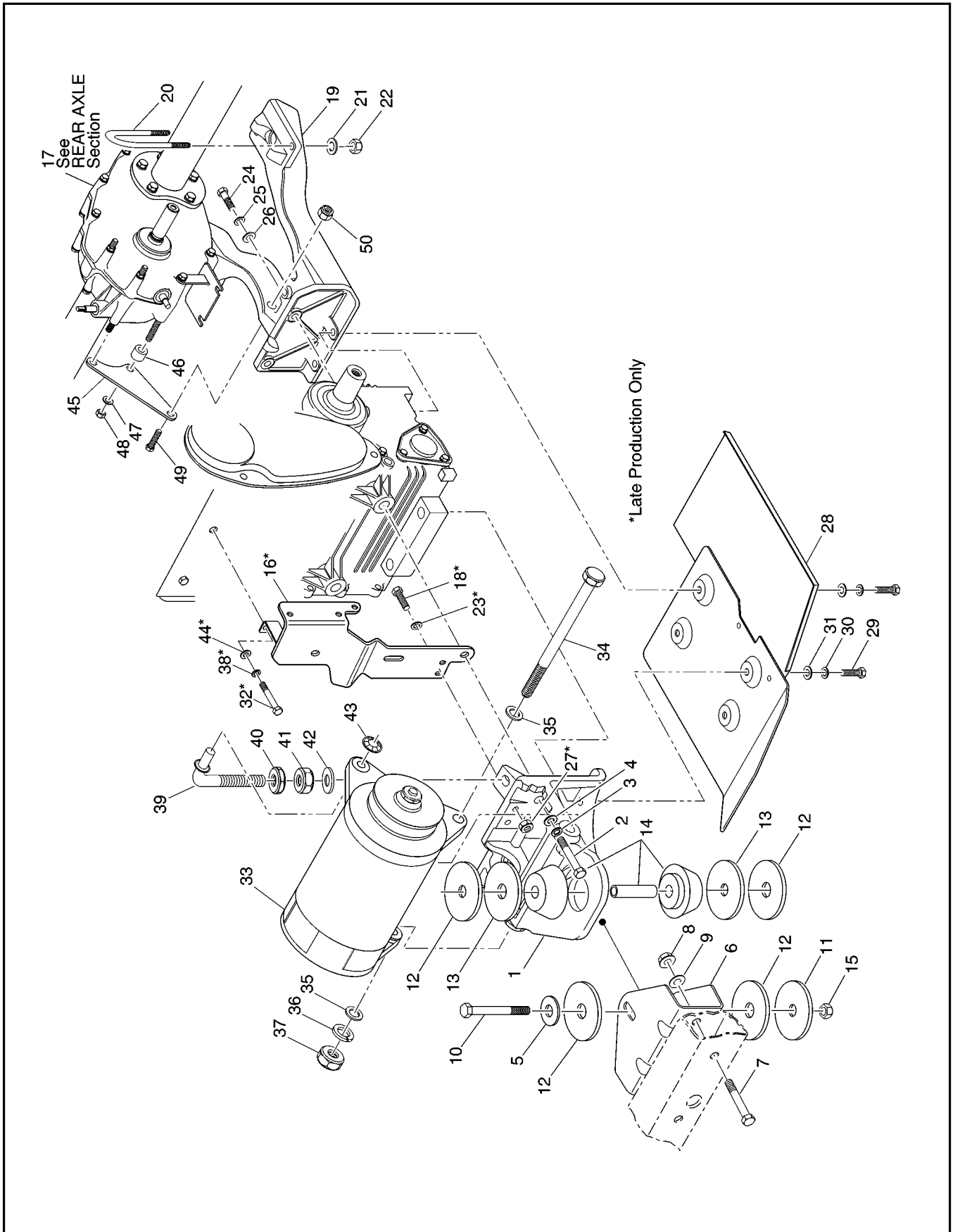
When ordering parts, please specify the model and serial number of the product.
 * Indicates a component that is not available as an individual part.
 G** Indicates consult Customer Service Department for additional information.

ITEM	PART NO.	1 2 3 4 5	DESCRIPTION	QTY.
1	72500-G04		ENGINE, 350cc.....	1
2				
3	26631-G01		TIMING BELT COVER GROMMET	1
4	26727-G01		CARBURETOR / AIR BOX GASKET	1
5	72307-G01		STUD	2
6				
7	25523-G4		SPARK PLUG (NGK BPR5ES)	2
8	26733-G01		SPARK PLUG WIRE SET (2 WITH BOOTS).....	1
9				
10	72305-G01		IGNITION COIL BRACKET	1
11				
12	XXXXX-XX		SEE CARBURETOR SECTION.....	X
13				
14	26600-G01		VALVE COVER	1
15	26719-G01		VALVE COVER GASKET.....	1
16	26676-G01		FLANGED BOLT, M6 X 1 X 23 MM LG.....	6
17				
18	26601-G01		OIL FILLER CAP	1
19	26720-G01		FILLER CAP "O" RING	1
20				
21	72019-G01		MUFFLER	1
22	25532-G1		BOLT AND WASHER, M8 X 1.25 X 18 MM LG.	4
23	25531-G1		EXHAUST GASKET.....	1
24				
25	00438-G8		BOLT, 5/16 - 18 X 1" LG.....	1
26	00565-G8		LOCK WASHER, 5/16"	1
27	00642-G8		WASHER, 5/16"	1
28				
29	00276-G6		BOLT, 5/16 - 24 X 3/4" LG.....	2
30	00565-G8		LOCK WASHER, 5/16"	2



When ordering parts, please specify the model and serial number of the product.
 * Indicates a component that is not available as an individual part.
 G** Indicates consult Customer Service Department for additional information.

ITEM	PART NO.	1 2 3 4 5	DESCRIPTION	QTY.
31				
32	26630-G01		TIMING BELT COVER	1
33	26626-G01		TIMING BELT	1
34	26678-G01		BOLT, M6 X 1 X 12 MM LG.	3
35				
36	26591-G01		OIL FILTER	1
37	26710-G01		OIL FILTER "O" RING	1
38	26680-G01		BOLT AND WASHER, M6 X 1 X 12 MM LG.	3
39				
40	25747-G01		SPARK ARRESTER (INCLUDES ITEMS 41 - 44)	1
41	25746-G01		ADAPTER TUBE	1
42	25388-G1		SLEEVE	1
43	25405-G1		TUBE CLAMP	1
44	25406-G1		SPARK ARRESTER	1



When ordering parts, please specify the model and serial number of the product.

* Indicates a component that is not available as an individual part.

G** Indicates consult Customer Service Department for additional information.

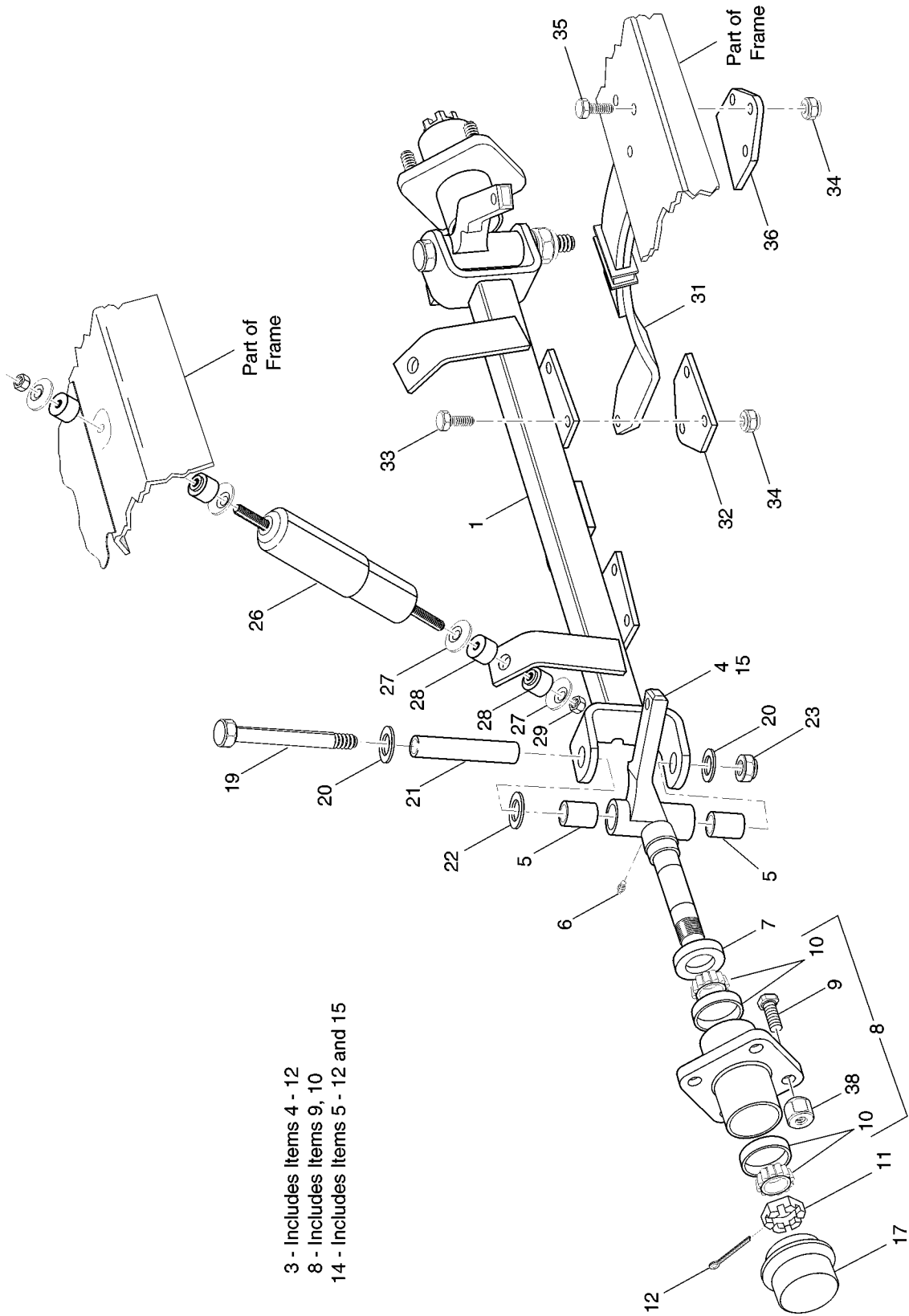
ITEM	PART NO.	1 2 3 4 5	DESCRIPTION	QTY.
1	72010-G01		FRONT ENGINE MOUNT	1
2	00463-G4		BOLT, 7/16 - 14 X 1 1/2" LG.....	2
3	00566-G2		LOCK WASHER, 7/16"	2
4	00922-G3		WASHER, 7/16"	2
5	15121-G1		WASHER, 1 1/4" X 3/8".....	1
6	72044-G01		MOUNT BRACKET	1
7	00428-G6		BOLT, 3/8 - 16 X 2 3/4" LG.....	2
8	11098-G5		LOCK NUT, 3/8 - 16	2
9	00643-G1		WASHER, 3/8"	2
10	00430-G4		BOLT, 3/8 - 16 X 4 1/2" LG.....	1
11	72051-G02		WASHER, 2 1/2" X 11/32"	1
12	72050-G01		PLASTIC WASHER, 2 1/2" X 5/8"	4
13	72051-G01		WASHER, 2 1/2" X 5/8".....	2
14	72015-G01		ISOLATION MOUNT	1
15	11098-G5		LOCK NUT, 3/8 - 16	1
16	72596-G01		AIR FILTER BRACKET	1
17	XXXXX-XX		SEE REAR AXLE SECTION.....	X
18	00415-G2		BOLT, 1/4 - 20 X 1 1/4 LG	2
19	72011-G01		REAR ENGINE MOUNT	1
20	72035-G01		"U" BOLT, 7/16 - 14 X 1 3/8" X 3 7/8"	2
21	00922-G3		WASHER, 7/16"	4
22	00734-G1		LOCK NUT, 7/16 - 14	4
23	00605-G07		WASHER, 1/4.....	2
24	00463-G4		BOLT, 7/16 - 14 X 1 1/2" LG.....	2
25	00566-G2		LOCK WASHER, 7/16"	2
26	00922-G3		WASHER, 7/16"	2
27	14390-G4		LOCK NUT, 1/4 - 20	2
28	27432-G02		ENGINE GUARD	1
29	00463-G4		BOLT, 7/16 - 14 X 1 1/2" LG.....	4
30	00566-G2		LOCK WASHER, 7/16"	4

When ordering parts, please specify the model and serial number of the product.

* Indicates a component that is not available as an individual part.

G** Indicates consult Customer Service Department for additional information.

ITEM	PART NO.	1 2 3 4 5	DESCRIPTION	QTY.
31	00922-G3		WASHER, 7/16"	4
32	12547-G3		BOLT, M6 X 1MM X 20MM LG	1
33	XXXXX-XX		SEE STARTER / GENERATOR SECTION	1
34	00938-G4		BOLT, 1/2 - 13 X 8" LG.	1
35	00560-G3		WASHER, 1/2"	2
36	00566-G3		LOCK WASHER, 1/2"	1
37	00533-G1		NUT, 1/2 - 13	1
38	00905-G7		LOCK WASHER, 1/4	1
39	72045-G01		STARTER / GENERATOR ADJUSTER.....	1
40	00544-G5		JAM NUT, 3/8 - 16	1
41	00532-G5		NUT, 3/8 - 16	1
42	00560-G1		WASHER, 3/8"	1
43	12064-G1		PUSH NUT, 5/16"	1
44	00559-G7		WASHER, 1/4.....	1
45	72017-G01		AXLE BRACKET	1
46	75048-G01		SPACER, 1/2".....	1
47	26826-G01		LOCK WASHER, 8 MM	2
48	26827-G01		NUT, M8 X 1.25 MM	2
49	00439-G2		BOLT, 5/16 - 18 X 1 1/4" LG.	1
50	11098-G6		LOCK NUT, 5/16 - 18	1



- 3 - Includes Items 4 - 12
- 8 - Includes Items 9, 10
- 14 - Includes Items 5 - 12 and 15

When ordering parts, please specify the model and serial number of the product.
 * Indicates a component that is not available as an individual part.
 G** Indicates consult Customer Service Department for additional information.

ITEM	PART NO.	1 2 3 4 5	DESCRIPTION	QTY.
1	70536-G01		FRONT AXLE.....	1
2				
3	70220-G01		SPINDLE ASSEMBLY (DRIVER SIDE) (INCLUDES ITEMS 4 - 12).....	1
4	*		SPINDLE (DRIVER SIDE).....	1
5	16623-G1		BEARING	2
6	10389-G3		GREASE FITTING, STRAIGHT	1
7	25146-G1		GREASE SEAL	1
8	19932-G1		WHEEL HUB ASSEMBLY (INCLUDES ITEMS 9, 10)	1
9	19862-G1		LUG BOLT, 1/2 - 20 X 1 7/32" LG.....	4
10	50892-G1		BEARING AND RACE ASSEMBLY (COMPLETE)	2
11	12093-G1		SLOTTED NUT, 1 - 14.....	1
12	00798-G8		COTTER PIN, 5/32" X 1 3/4" LG.....	1
13				
14	70221-G01		SPINDLE ASSEMBLY (PASSENGER SIDE) (INCLUDES ITEMS 5 - 12, 15) ...	1
15	*		SPINDLE (PASSENGER SIDE)	1
16				
17	12091-G2		SPINDLE CAP	2
18				
19	01040-G01		KING PIN, 1/2 - 13 X 5" LG.....	2
20	00571-G5		WASHER, 1/2"	4
21	70328-G01		KING PIN TUBE.....	2
22	16982-G1		THRUST WASHER, 7/8".....	2
23	14390-G6		LOCK NUT, 1/2 - 13	2
24				
25				
26	70324-G01		SHOCK ABSORBER	2
27	10435-G1		SHOCK ABSORBER WASHER.....	8
28	10194-G1		RUBBER SHOCK ABSORBER BUSHING	8
29	00532-G6		NUT, 3/8 - 24	4
30				



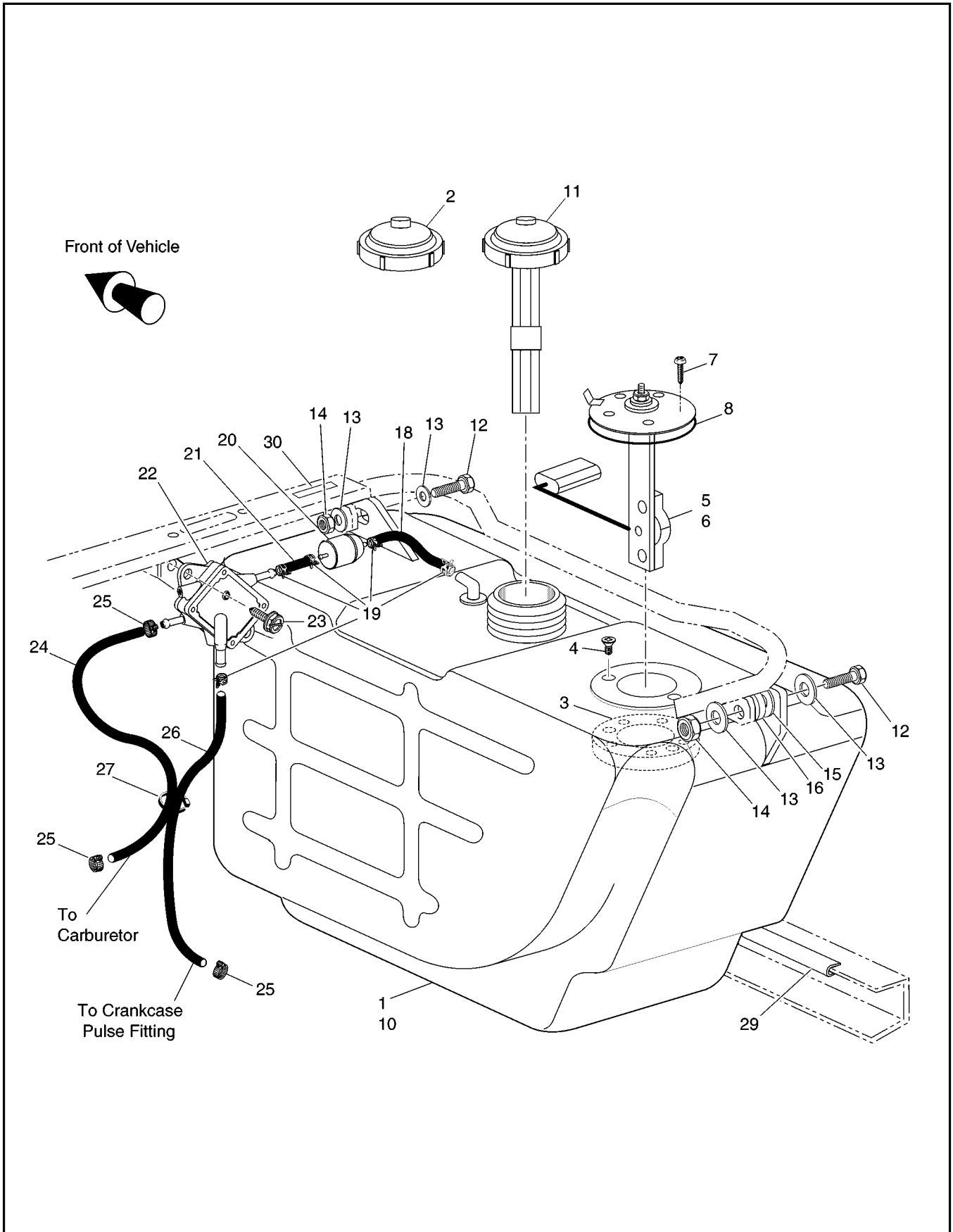
FRONT SUSPENSION

Gasoline Vehicle

When ordering parts, please specify the model and serial number of the product.
 * Indicates a component that is not available as an individual part.
 G** Indicates consult Customer Service Department for additional information.

ITEM	PART NO.	1 2 3 4 5	DESCRIPTION	QTY.
31	70422-G01		LEAF SPRING (HEAVY DUTY)	2
32	70540-G02		SPRING PLATE	2
33	00463-G4		BOLT, 7/16 - 14 X 1 1/2" LG.	6
34	00734-G1		LOCK NUT, 7/16 - 14	12
35	00463-G6		BOLT, 7/16 - 14 X 1 3/4" LG.	6
36	70163-G02		SPRING PLATE	2
37				
38	14723-G1		LUG NUT, 1/2 - 20.....	8





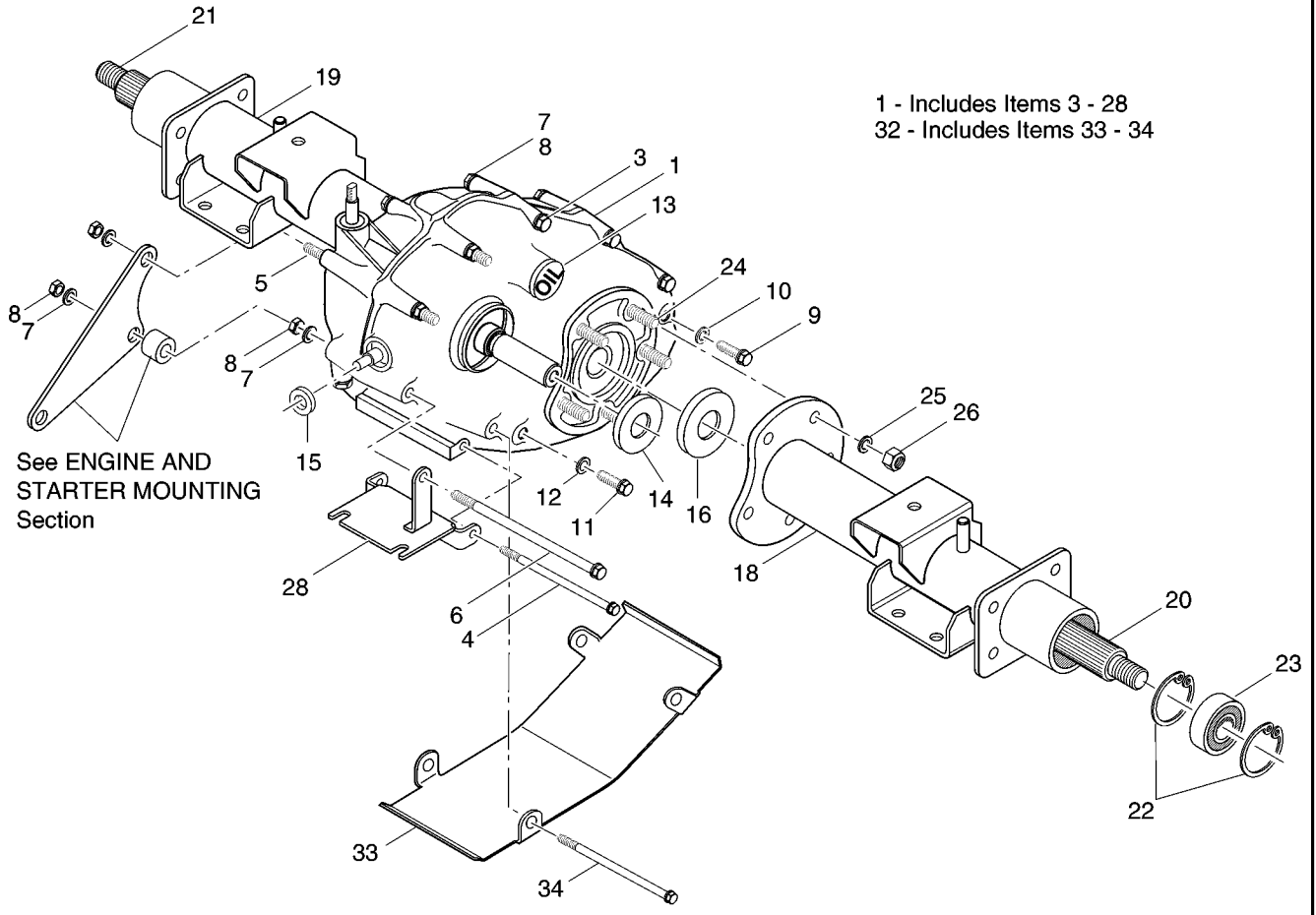
When ordering parts, please specify the model and serial number of the product.

* Indicates a component that is not available as an individual part.

G** Indicates consult Customer Service Department for additional information.

ITEM	PART NO.	1 2 3 4 5	DESCRIPTION	QTY.
1	72092-G02		FUEL TANK (WITH FUEL LEVEL SENDER).....	1
2	72282-G01		FUEL TANK CAP	1
3	72229-G01		FUEL LEVEL SENDER ADAPTER.....	1
4	72230-G01		SCREW, #6 - 32 X 1/2" LG.	2
5	20048-G2		FUEL GAUGE SENDER (INCLUDES ITEMS 7 AND 8).....	1
6	20048-G4		LOW FUEL SENDER (INCLUDES ITEMS 7 AND 8).....	1
7	72232-G01		SCREW, #10 - 32 x 3/4" LG	5
8	*		GASKET	1
9				
10	72092-G01		FUEL TANK (STANDARD).....	1
11	14099-G2		FUEL TANK CAP WITH WITH GAUGE	1
12	00438-G1		BOLT, 5/16 - 18 X 1 1/8" LG.....	2
13	00559-G8		WASHER, 5/16"	4
14	11098-G6		LOCK NUT, 5/16 - 18	3
15	15121-G1		WASHER, 1 1/4" X 3/8".....	1
16	72234-G01		SPACER.....	1
17				
18	25346-G10		TUBING, 2 5/8" LG. (BULK).....	A/R
19	18292-G1		CLAMP	5
20	72084-G01		FUEL FILTER.....	1
21	25346-G11		TUBING, 4" LG. (BULK).....	A/R
22	72021-G01		FUEL PUMP.....	1
23	00114-G6		SCREW, 1/4 - 14 X 3/4" LG	2
24	25346-G6		TUBING, 26" LG. (BULK)	A/R
25	11391-G4		HOSE CLAMP.....	3
26	27184-G01		PULSE TUBING, 26" LG. (BULK).....	A/R
27	17618-G1		WIRE TIE	1
28				
29	32617-G2		VINYL TRIM, 14" LG. (BULK)	A/R
30	26459-G01		LABEL (UNLEADED GASOLINE ONLY)	1





When ordering parts, please specify the model and serial number of the product.
 * Indicates a component that is not available as an individual part.
 G** Indicates consult Customer Service Department for additional information.

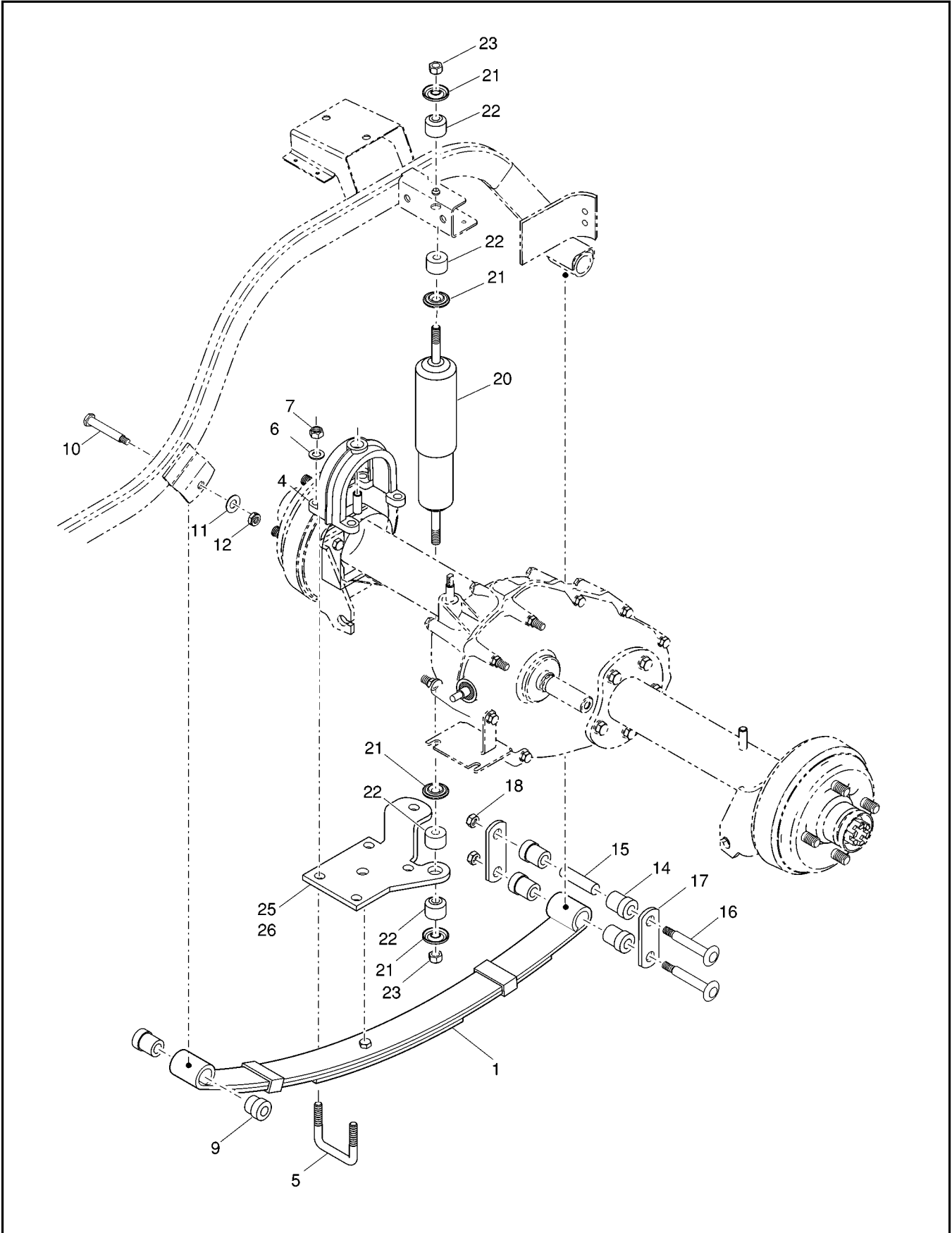
ITEM	PART NO.	1 2 3 4 5	DESCRIPTION	QTY.
1	72246-G01		REAR AXLE (13.32:1) (INCLUDES ITEMS 3 - 30)	1
2				
3	26823-G01		FLANGED BOLT, M8 X 1.25 X 100 MM LG.	7
4	26824-G01		FLANGED BOLT, M8 X 1.25 X 110 MM LG.....	1
5	72053-G01		BOLT, M8 X 1.25 X 120 MM LG.	1
6	72052-G01		FLANGED BOLT, M8 X 1.25 X 130 MM LG.	1
7	26826-G01		LOCK WASHER, 8 MM	14
8	26827-G01		NUT, M8 X 1.25 MM	14
9	26768-G01		OIL CHECK PLUG.....	1
10	26769-G01		GASKET, 8 MM.....	1
11	26770-G01		OIL DRAIN PLUG	1
12	26771-G01		GASKET, 14 MM.....	1
13	26772-G01		OIL FILLER PLUG	1
14	26761-G01		INPUT SHAFT SEAL	1
15	26762-G01		SHIFTER SHAFT SEAL.....	1
16	26766-G01		AXLE SHAFT SEAL.....	2
17				
18	72249-G01		AXLE TUBE (DRIVER SIDE).....	1
19	72248-G01		AXLE TUBE (PASSENGER SIDE)	1
20	72056-G01		AXLE SHAFT (DRIVER SIDE).....	1
21	72057-G01		AXLE SHAFT (PASSENGER SIDE)	1
22	26814-G01		RETAINING RING	4
23	26811-G01		BALL BEARING.....	2
24	26667-G01		STUD, M10 X 1.5 X 40 MM LG.	5
25	26828-G01		WASHER, 10 MM	10
26	26829-G01		NUT, 10 MM X 1.5 MM	10
27				
28	26815-G01		SHIFTER CABLE BRACKET	1
29				
30				

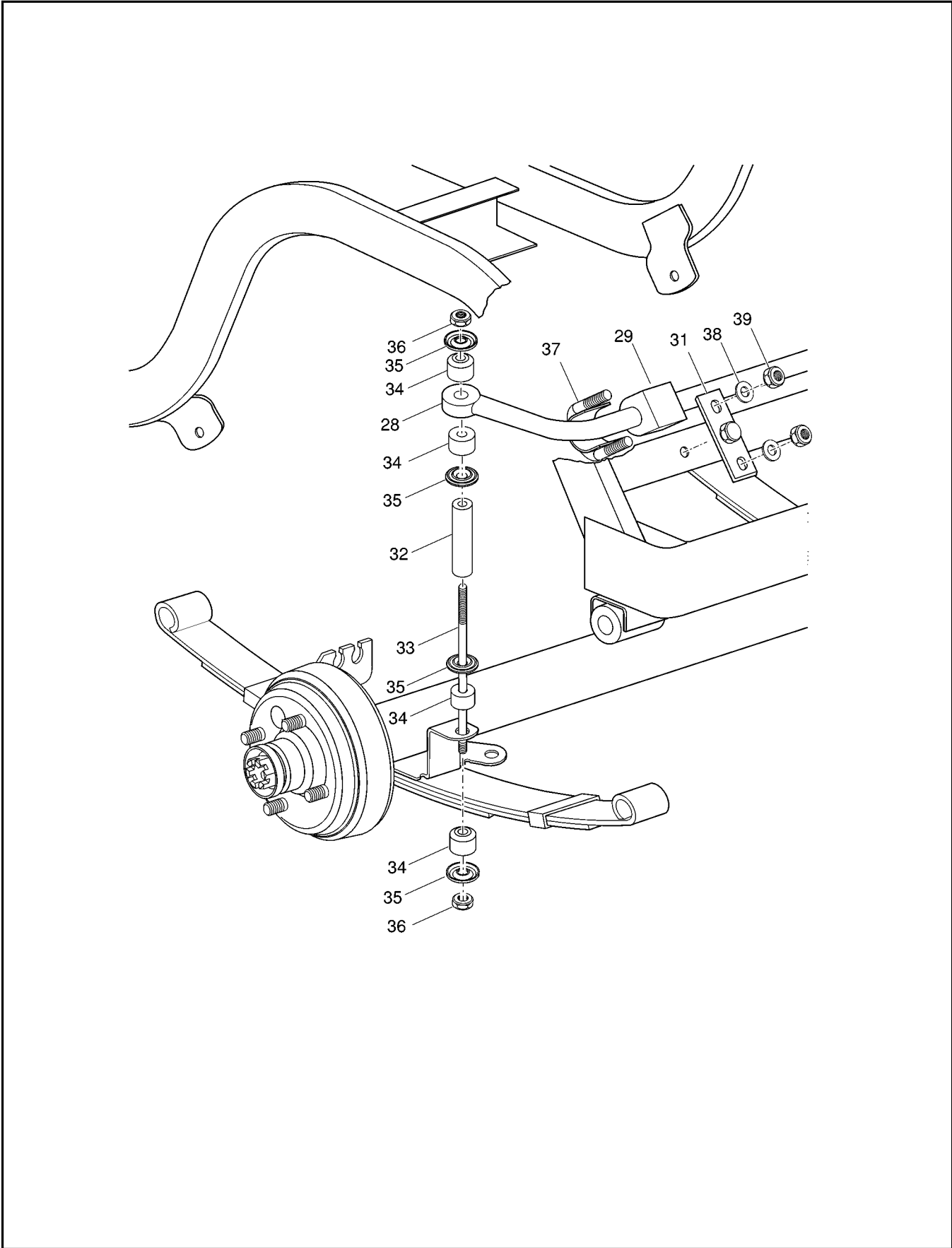


When ordering parts, please specify the model and serial number of the product.
 * Indicates a component that is not available as an individual part.
 G** Indicates consult Customer Service Department for additional information.

ITEM	PART NO.	1 2 3 4 5	DESCRIPTION	QTY.
31				
32	72347-G01		DIFFERENTIAL GUARD (INCLUDES ITEMS 33 - 34)	1
33	72349-G01		DIFFERENTIAL GUARD	1
34	72053-G01		BOLT, M8 X 1.25 X 120 MM LG.....	2







REAR SUSPENSION**Gasoline Vehicle**

THE USE OF NON U.L. PARTS WILL VOID ANY U.L.LISTING.

When ordering parts, please specify the model and serial number of the product.

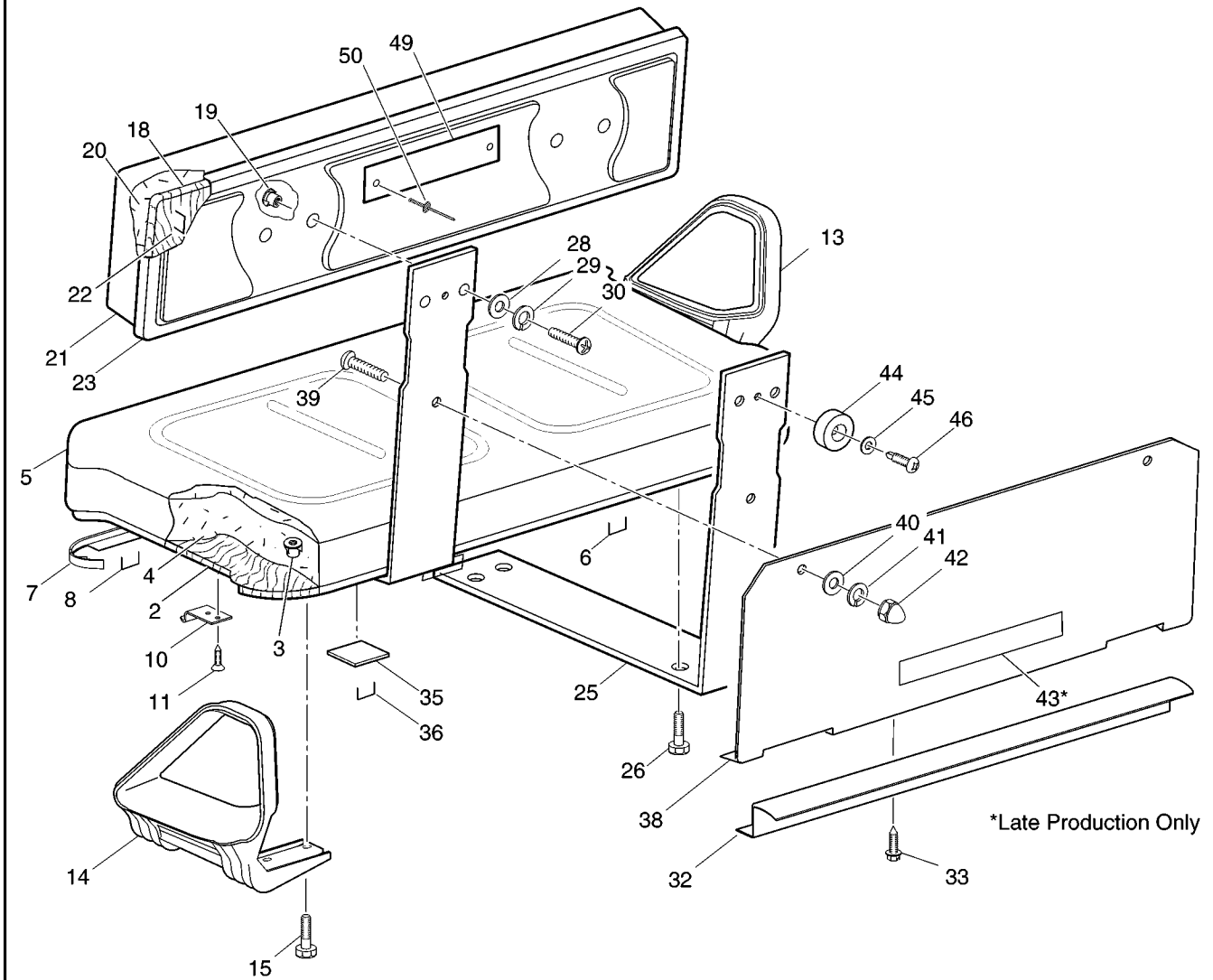
* Indicates a component that is not available as a individual part.

ITEM	PART NO.	1 2 3 4 5	DESCRIPTION	QTY.
1	74135-G01		LEAF SPRING.....	2
2				
3	72117-G01		ISOMOUNT BUSHING.....	2
4	72037-G01		ISOMOUNT CAP.....	2
5	72618-G01		"U" BOLT, 3/8 - 16	4
6	00560-G1		WASHER, 3/8"	8
7	11098-G5		LOCK NUT, 3/8 - 16	8
8				
9	70291-G01		RUBBER BUSHING	4
10	14158-G1		SHOULDER BOLT, 3/16 x 3 1/4" LG.....	2
11	00643-G1		WASHER, 3/8"	2
12	11098-G5		LOCK NUT, 3/8 - 16	2
13				
14	70291-G01		RUBBER BUSHING	8
15	70289-G02		SPACER.....	4
16	00429-G4		BOLT, 3/8 - 16 X 3 1/2" LG.....	4
17	70290-G01		SHACKLE PLATE	4
18	11098-G5		LOCK NUT, 3/8 - 16	4
19				
20	70324-G01		SHOCK ABSORBER.....	2
21	10435-G1		WASHER (SHOCK ABSORBER).....	8
22	10194-G1		RUBBER BUSHING (SHOCK ABSORBER).....	8
23	00532-G6		NUT, 3/8 - 24	4
24				
25	74192-G01		SPRING/STABILIZER BAR MOUNTING PLATE, PASSENGER SIDE.....	1
26	74192-G02		SPRING/STABILIZER BAR MOUNTING PLATE, DRIVER SIDE	1
27				
28	28370-G01		STABILIZER BAR ASSEMBLY (INCLUDES ITEM 29)	1
29	11155-G1		BUSHING	2
30				

When ordering parts, please specify the model and serial number of the product.
 * Indicates a component that is not available as an individual part.
 G** Indicates consult Customer Service Department for additional information.

ITEM	PART NO.	1 2 3 4 5	DESCRIPTION	QTY.
31	28372-G01		STABILIZER PLATE.....	2
32	10840-G4		PIPE, 3/8" I.D.	2
33	10579-G7		THREADED ROD, 3/8-16	2
34	10194-G1		BUSHING (SHOCK ABSORBER).....	8
35	10435-G1		WASHER (SHOCK ABSORBER)	8
36	00532-G5		NUT, 3/8-16	4
37	11640-G2		STABILIZER BAR BRACKET	2
38	00559-G8		WASHER, 5/16"	4
39	11098-G9		LOCK NUT, 5/16-24	4

1 - Includes Items 2 - 8
17 - Includes Items 18 - 23



When ordering parts, please specify the model and serial number of the product.
 * Indicates a component that is not available as an individual part.
 G** Indicates consult Customer Service Department for additional information.

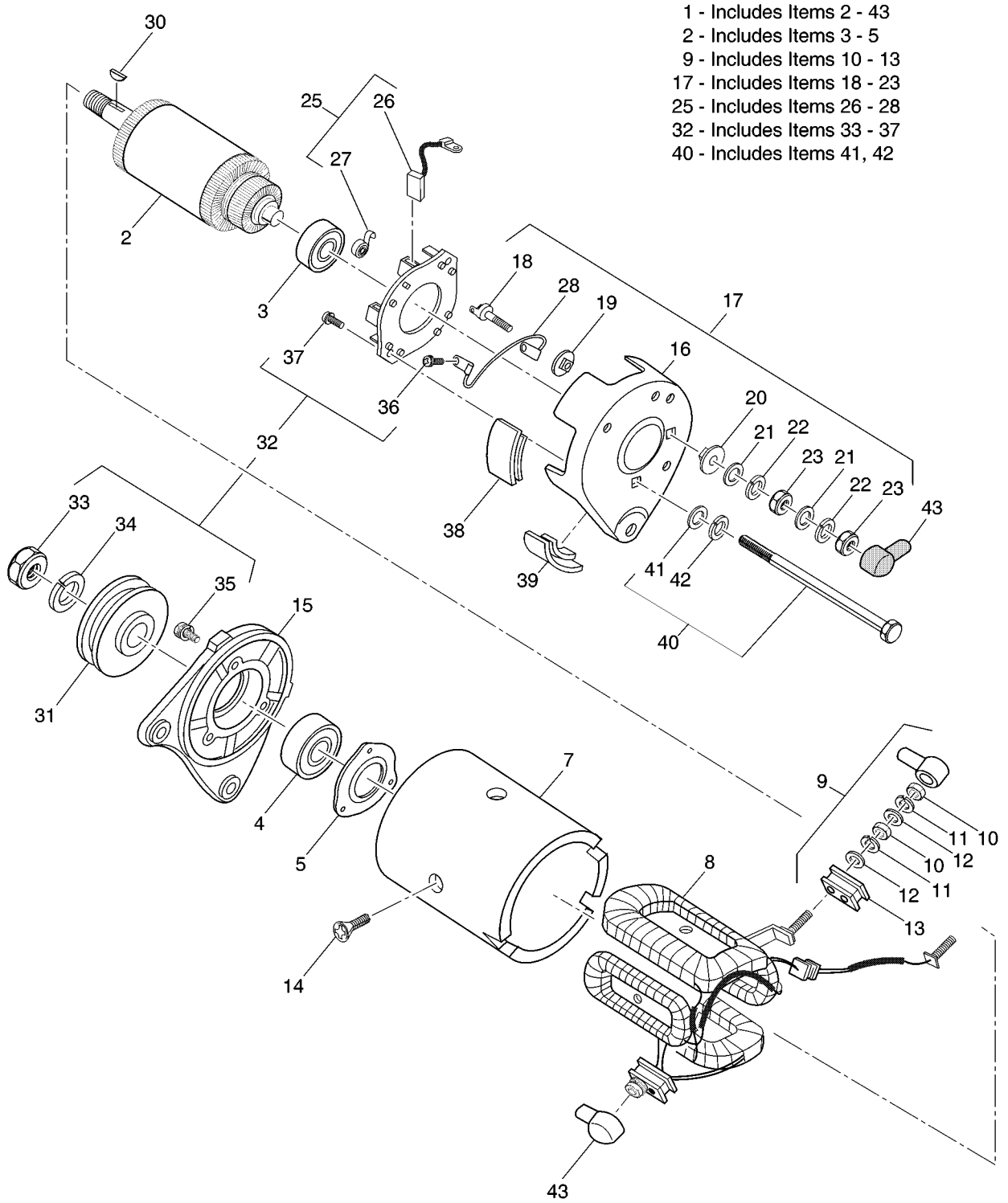
ITEM	PART NO.	1 2 3 4 5	DESCRIPTION	QTY.
1	71664-G**		SEAT BOTTOM ASSEMBLY (INCLUDES ITEMS 2 - 8)	1
2	*		PLYWOOD BASE	1
3	*		TEE NUT, 1/4 - 20.....	16
4	*		FOAM	1
5	71602-G**		VINYL SEAT BOTTOM COVER	1
6	*		FLAT STAPLES	110
7	71012-G01		VINYL TRIM (SEAT BOTTOM).....	1
8	*		FLAT STAPLES	26
9				
10	71610-G01		SEAT HINGE.....	2
11	00720-G08		SCREW, #12 - 14 X 1" LG.	6
12				
13	71701-G01		HIP RESTRAINT (PASSENGER SIDE)	1
14	71702-G01		HIP RESTRAINT (DRIVER SIDE)	1
15	71204-G01		BOLT, 1/4 - 20 X 7/8" LG.....	8
16				
17	27546-G**		SEAT BACK ASSEMBLY (INCLUDES ITEMS 18 - 23)	1
18	*		PLYWOOD SEAT BACK.....	1
19	*		TEE NUT, 1/4 - 20.....	4
20	*		FOAM	1
21	18144-G**		VINYL SEAT BACK COVER	1
22	*		FLAT STAPLES	95
23	18868-G3		PLASTIC SEAT BACK COVER (BLACK)	1
24				
25	71662-G01		SEAT BACK SUPPORT BRACKET	2
26	71204-G01		BOLT, 1/4 - 20 X 7/8" LG.....	8
27				
28	00559-G7		WASHER, 1/4"	4
29	00565-G7		LOCK WASHER, 1/4"	4
30	16705-G1		BOLT, 1/4 - 20 X 1" LG.....	4



When ordering parts, please specify the model and serial number of the product.
 * Indicates a component that is not available as an individual part.
 G** Indicates consult Customer Service Department for additional information.

ITEM	PART NO.	1	2	3	4	5	DESCRIPTION	QTY.
31								
32	71762-G02						SEAL	1
33	00114-G6						SCREW, 1/4 - 14 X 3/4" LG.....	2
34								
35	17074-G1						BUMPER.....	2
36	*						FLAT STAPLE	10
37								
38	71783-G01						SEAT SHIELD	1
39	16705-G3						SCREW, 1/4 - 20 X 3/4" LG.....	2
40	00559-G7						WASHER, 1/4"	2
41	00565-G7						LOCK WASHER, 1/4"	2
42	15158-G1						ACORN NUT, 1/4 - 20	2
43	74093-G01						LABEL (WARNING).....	1
44	13728-G1						RUBBER BUMPER	2
45	00559-G5						WASHER, #10.....	2
46	00106-G6						SELF THREADING SCREW, #12 - 24 X 3/4" LG	2
47								
48	71211-G01						PLATE / LABEL (800 LB) (INCLUDES ITEM 49)	1
49	71517-G03						LABEL (800 LB)	1
50	14601-G1						RIVET, 3/16" X 13/16" LG (ALUMINUM)	2





When ordering parts, please specify the model and serial number of the product.
 * Indicates a component that is not available as an individual part.
 G** Indicates consult Customer Service Department for additional information.

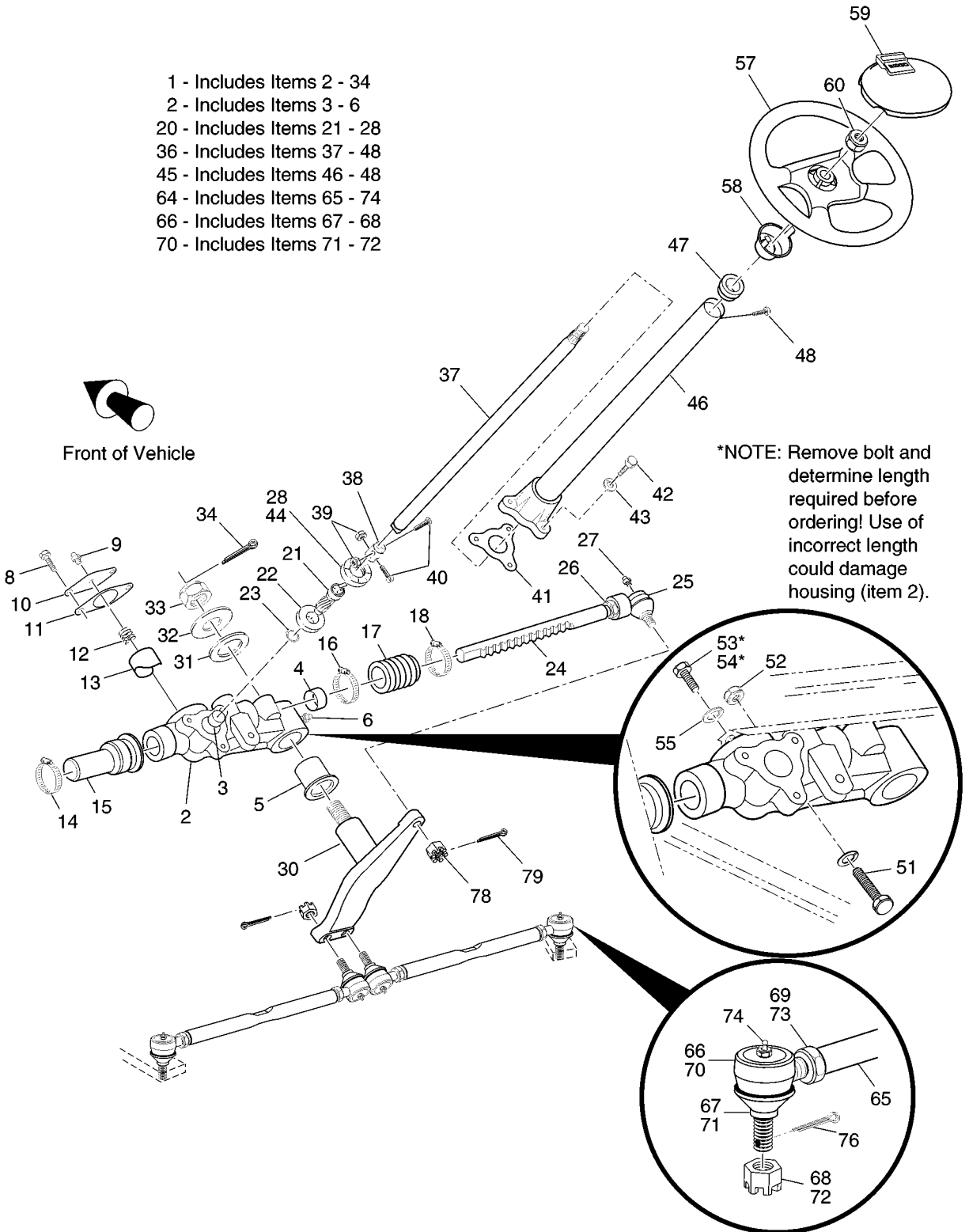
ITEM	PART NO.	1 2 3 4 5	DESCRIPTION	QTY.
1	27065-G01		STARTER / GENERATOR, COMPLETE (INCLUDES ITEMS 2 - 43).....	1
2	26870-G01		ARMATURE ASSEMBLY (INCLUDES ITEMS 3 - 5).....	1
3	26871-G01		REAR BALL BEARING	1
4	26872-G01		FRONT BALL BEARING.....	1
5	26873-G01		BEARING HOLDER	1
6				
7	26874-G01		FRAME & FIELD COIL ASSEMBLY (INCLUDES ITEM 8).....	1
8	26875-G01		FIELD COIL.....	1
9	26876-G01		INSULATING BRUSH ASSEMBLY ('F') (INCLUDES ITEMS 10 - 13).....	2
10	*		NUT	2
11	*		LOCK WASHER.....	2
12	*		WASHER.....	2
13	*		INSULATOR	1
14	26877-G01		POLE CORE SET SCREW	4
15	26878-G01		FRONT COVER.....	1
16	26879-G01		REAR COVER.....	1
17	26880-G01		TERMINAL ASSEMBLY ('A') (INCLUDES ITEMS 18 - 23).....	2
18	*		TERMINAL	2
19	*		INSULATOR	2
20	*		INSULATOR	2
21	*		WASHER.....	4
22	*		LOCK WASHER.....	4
23	*		NUT	4
24				
25	26881-G01		BRUSH HOLDER ASSEMBLY (INCLUDES ITEMS 26 - 28)	1
26	26658-G01		BRUSH.....	4
27	26882-G01		BRUSH SPRING.....	4
28	26883-G01		BRUSH CONNECTOR.....	2
29				
30	26884-G01		KEY.....	1

When ordering parts, please specify the model and serial number of the product.
 * Indicates a component that is not available as an individual part.
 G** Indicates consult Customer Service Department for additional information.

ITEM	PART NO.	1	2	3	4	5	DESCRIPTION	QTY.
31	26885-G01						PULLEY	1
32	26886-G01						NUT/SCREW ASSEMBLY (INCLUDES ITEMS 33 - 37)	1
33	*						NUT	1
34	*						LOCK WASHER	1
35	*						SCREW	3
36	*						SCREW	4
37	*						SCREW	2
38	26887-G01						BRUSH 1 COVER.....	2
39	26888-G01						BRUSH 2 COVER.....	3
40	26889-G01						BOLT AND WASHER ASSEMBLY (INCLUDES ITEMS 41, 42)	2
41	*						WASHER.....	2
42	*						LOCK WASHER.....	2
43	25682-G01						TERMINAL COVER.....	4



- 1 - Includes Items 2 - 34
- 2 - Includes Items 3 - 6
- 20 - Includes Items 21 - 28
- 36 - Includes Items 37 - 48
- 45 - Includes Items 46 - 48
- 64 - Includes Items 65 - 74
- 66 - Includes Items 67 - 68
- 70 - Includes Items 71 - 72



When ordering parts, please specify the model and serial number of the product.
 * Indicates a component that is not available as an individual part.
 G** Indicates consult Customer Service Department for additional information.

ITEM	PART NO.	1	2	3	4	5	DESCRIPTION	QTY.
1	70314-G02						STEERING BOX ASSEMBLY (COMPLETE) (INCLUDES ITEMS 2 - 34)	1
2	75364-G01						STEERING HOUSING (INCLUDES ITEMS 3 - 6).....	1
3	*						SLEEVE BEARING	1
4	*						SLEEVE BEARING	1
5	*						FLANGED BEARING	1
6	10389-G3						GREASE FITTING, STRAIGHT	1
7								
8	00426-G6						BOLT, 3/8 - 16 X 3/4" LG.....	2
9	18456-G1						GREASE FITTING, 90°	1
10	70177-G01						RACK GUIDE COVER	1
11	70225-G01						GASKET	1
12	70178-G01						COMPRESSION SPRING	1
13	70179-G01						RACK GUIDE	1
14	11391-G1						HOSE CLAMP, 1 1/4"	1
15	70041-G01						RACK COVER.....	1
16	11391-G1						HOSE CLAMP, 1 1/4"	1
17	70183-G01						BELLOWS	1
18	11391-G5						HOSE CLAMP, 3/4"	1
19								
20	70299-G01						STEERING GEAR KIT (INCLUDES ITEMS 21 - 28).....	1
21	70297-G01						GEAR PINION.....	1
22	15112-G1						BALL BEARING	1
23	70190-G01						EXTERNAL RETAINING RING	1
24	70298-G01						STEERING RACK	1
25	70192-G01						RACK BALL END	1
26	00532-G8						NUT, 7/16 - 20	1
27	18456-G1						GREASE FITTING, 90°	1
28	70466-G01						RETAINER	1
29								
30	70184-G01						IDLER.....	1

When ordering parts, please specify the model and serial number of the product.

* Indicates a component that is not available as an individual part.

G** Indicates consult Customer Service Department for additional information.

ITEM	PART NO.	1 2 3 4 5	DESCRIPTION	QTY.
31	70216-G01		THRUST WASHER, 1 1/2"	1
32	70195-G01		THRUST WASHER, 7/8"	1
33	00734-G6		LOCK NUT, 7/8 - 9.....	1
34	00798-G8		COTTER PIN, 5/32" X 1 3/4" LG.	1
35				
36	70360-G01		STEERING SHAFT/COLUMN KIT (INCLUDES ITEMS 37 - 48)	1
37	14322-G3		STEERING SHAFT.....	1
38	70558-G01		COUPLING.....	1
39	00550-G1		LOCK NUT, 1/4 - 20.....	2
40	70227-G01		BOLT, 1/4 - 20 X 7/8" LG	2
41	70223-G01		GASKET	1
42	01034-G01		BOLT, 3/8 - 16 X 1 1/2" LG WITH PATCHLOCK	3
43	00878-G1		LOCK WASHER, 3/8".....	3
44	70466-G01		RETAINER.....	1
45	28633-G01		STEERING COLUMN KIT (INCLUDES ITEMS 46 - 48)	1
46	*		STEERING COLUMN	1
47	28569-G01		STEERING COLUMN BUSHING	1
48	01022-G01		SCREW, #6 - 20 X 5/16" LG	1
49				
50				
51	00470-G4		BOLT, 7/16 - 20 X 2 1/2" LG.....	1
52	00734-G3		LOCK NUT, 7/16 - 20	1
53	01033-G01		BOLT, 7/16 - 14 X 1 1/4" LG. WITH PATCHLOCK (PROD. SINCE 4-98)	2
54	01033-G02		BOLT, 7/16 - 14 X 7/8" LG. WITH PATCHLOCK (PRIOR TO 4-98 PROD.)	2
55	00566-G2		LOCK WASHER, 7/16".....	3
56				
57	71948-G01		STEERING WHEEL	1
58	71949-G01		HUB.....	1
59	71950-G01		CLIPBOARD	1
60	14390-G2		LOCK NUT, 5/8 - 18	1

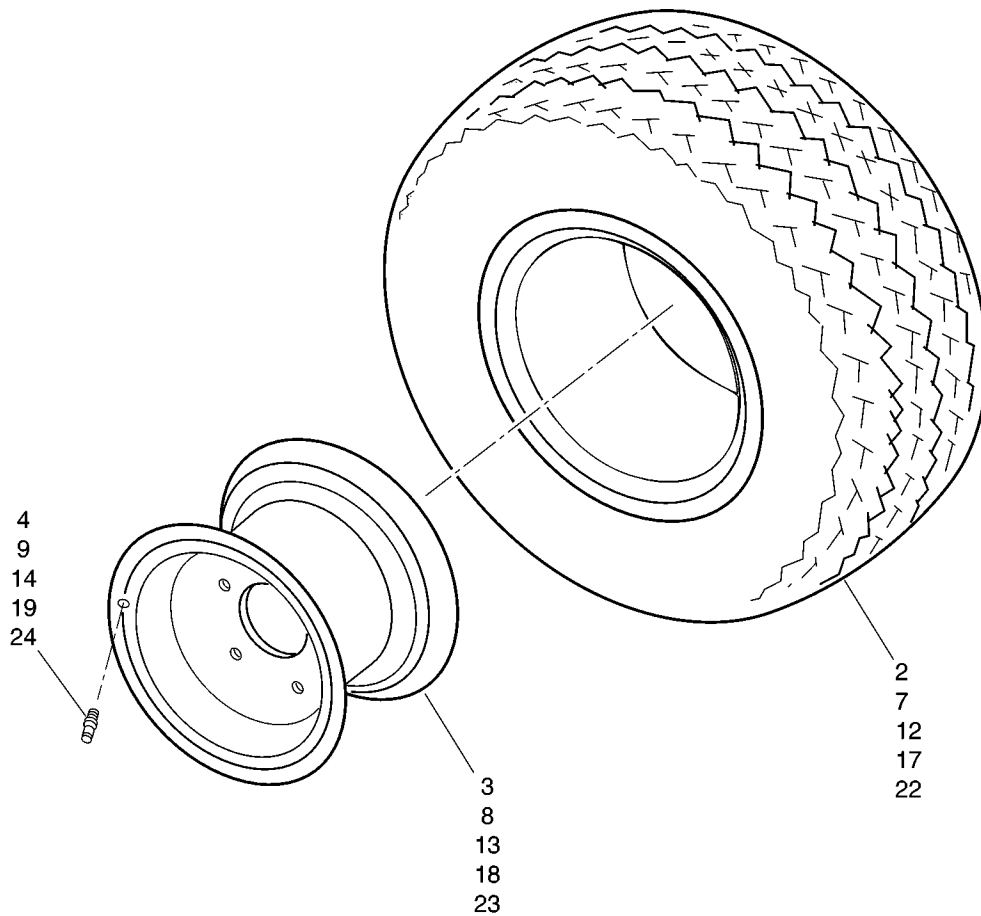
When ordering parts, please specify the model and serial number of the product.
 * Indicates a component that is not available as an individual part.
 G** Indicates consult Customer Service Department for additional information.

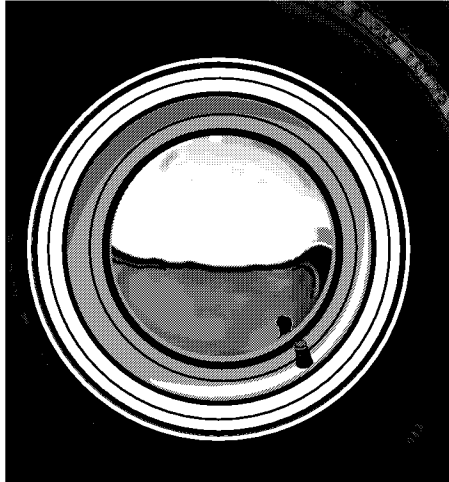
ITEM	PART NO.	1	2	3	4	5	DESCRIPTION	QTY.
61								
62								
63								
64	70074-G01						TIE ROD ASSEMBLY (INCLUDES ITEMS 65 - 74).....	2
65	70583-G02						THREADED TUBE WITH FLAT	1
66	27205-G01						TIE ROD END (LEFT HAND THREAD) (INCLUDES ITEMS 67 - 68).....	1
67	50641-G1						RUBBER BOOT	1
68	50209-G2						SLOTTED NUT, 7/16 - 20.....	1
69	18434-G3						JAM NUT, 9/16 - 18 (LEFT HAND THREAD)	1
70	27205-G02						TIE ROD END (RIGHT HAND THREAD) (INCLUDES ITEMS 71 - 72).....	1
71	50641-G1						RUBBER BOOT	1
72	50209-G2						SLOTTED NUT, 7/16 - 20.....	1
73	18434-G4						JAM NUT, 9/16 - 18 (RIGHT HAND THREAD).....	1
74	10389-G3						GREASE FITTING, STRAIGHT	2
75								
76	10387-G2						COTTER PIN, 3/32" X 1" LG.....	2
77								
78	50209-G2						SLOTTED NUT, 7/16 - 20	1
79	10387-G2						COTTER PIN, 3/32" X 1" LG.....	1



- 1 - Includes Items 2 - 4
- 6 - Includes Items 7 - 9
- 11 - Includes Items 12 - 14
- 16 - Includes Items 17 - 19
- 21 - Includes Items 22 - 24

Tire design may vary by Part Number

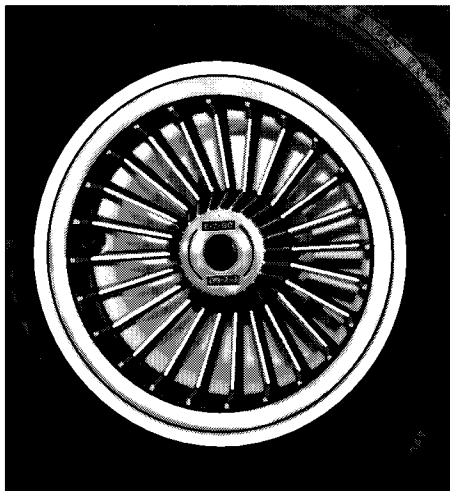




6"CHROME HUBCAP
27



8"CHROME HUBCAP
26



GOLD / SILVER SPOKE HUBCAP
28, 29

WHEELS AND TIRES

Gasoline Vehicle

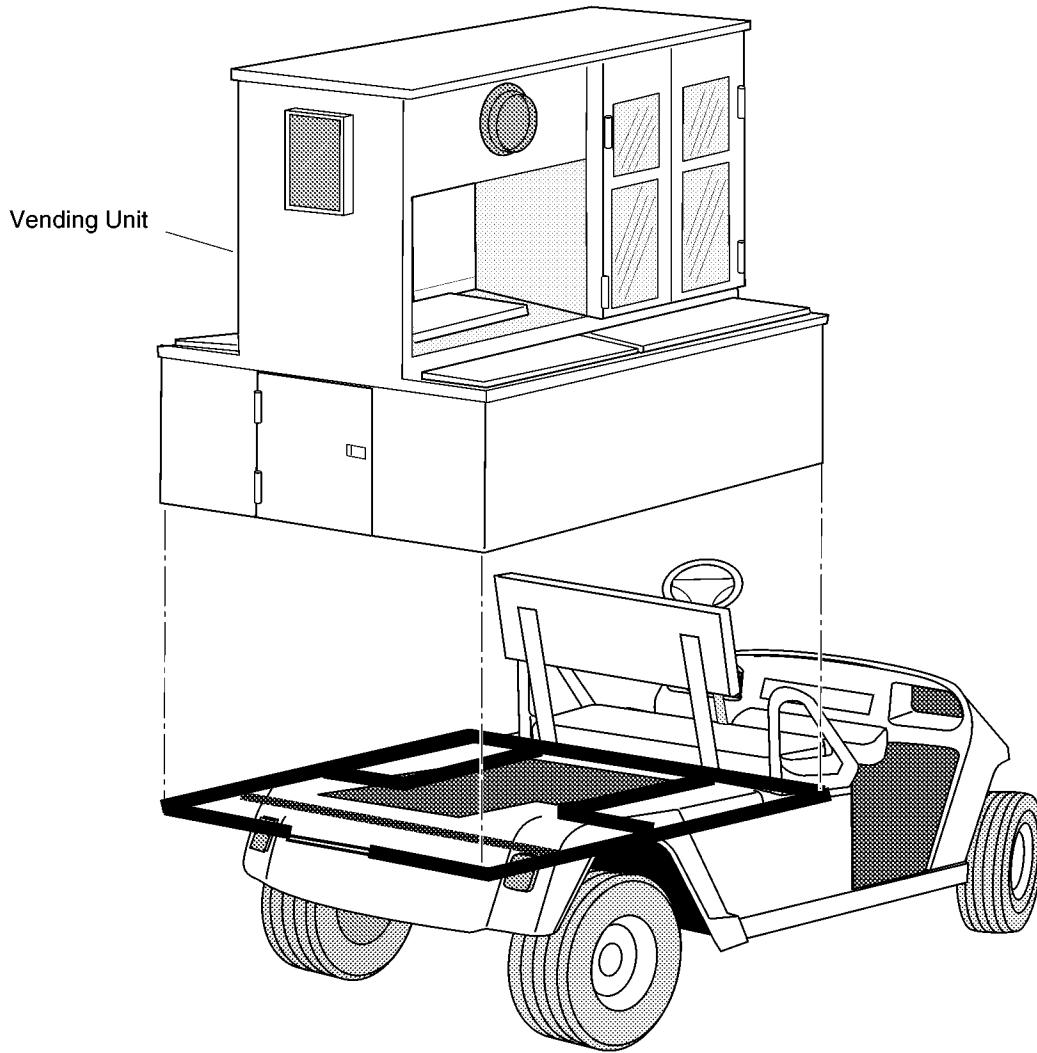
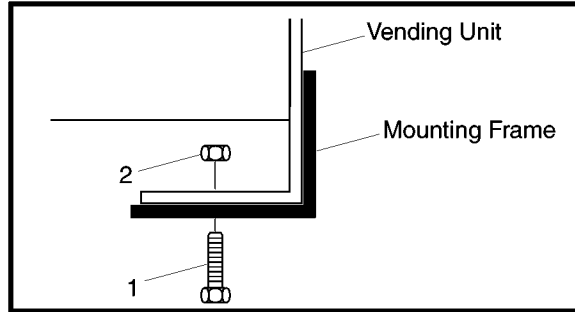
When ordering parts, please specify the model and serial number of the product.

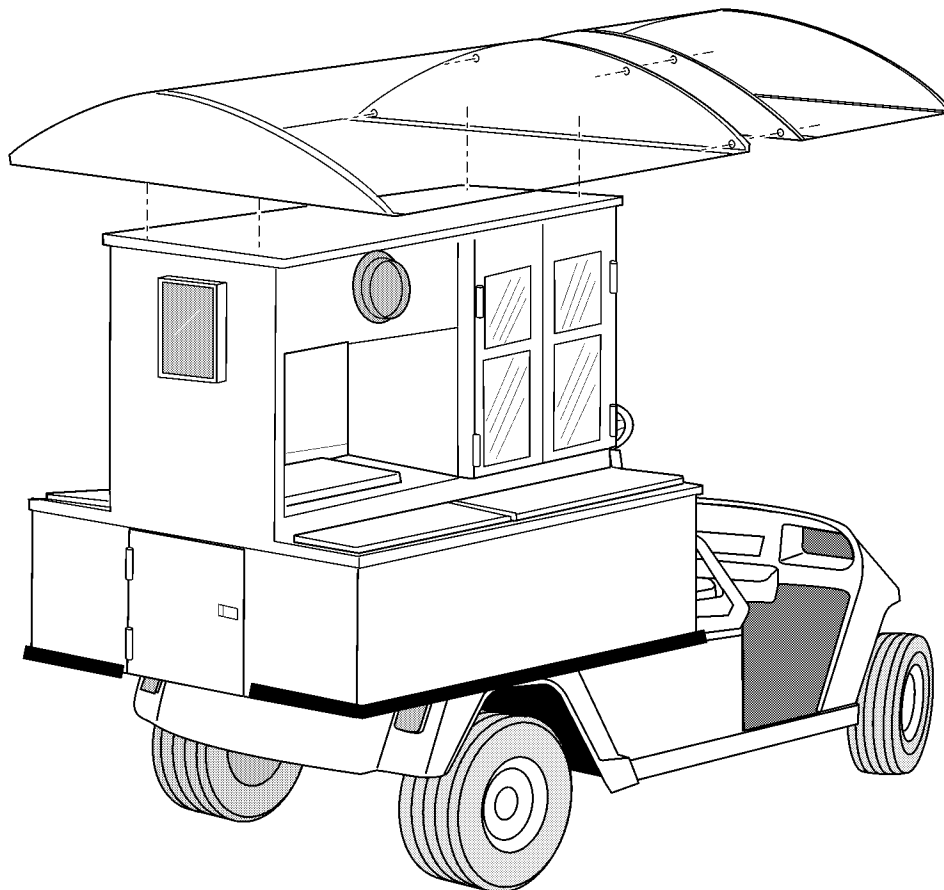
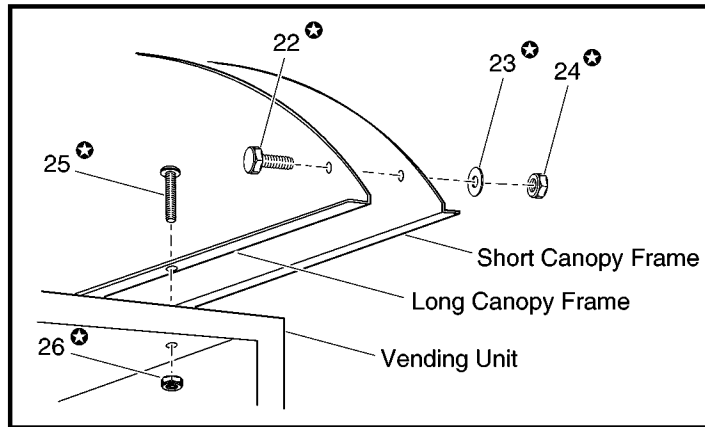
* Indicates a component that is not available as an individual part.

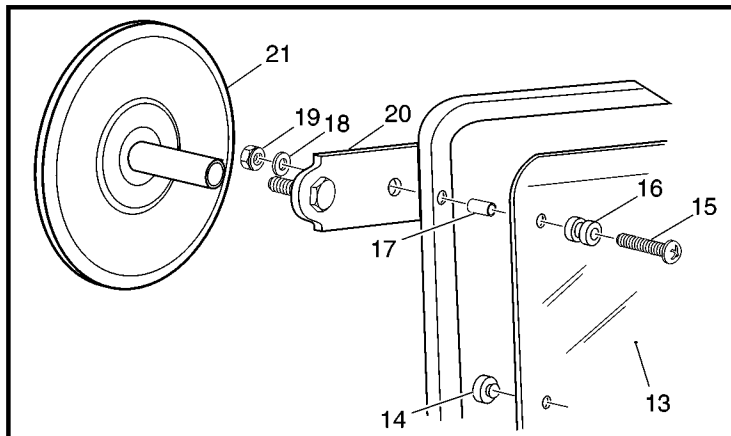
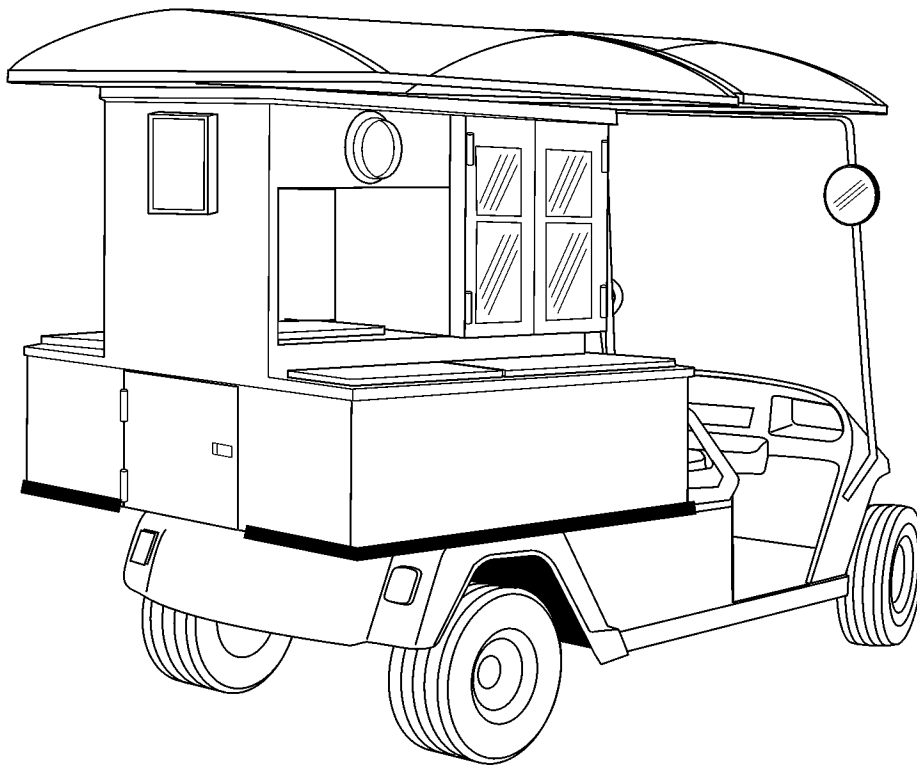
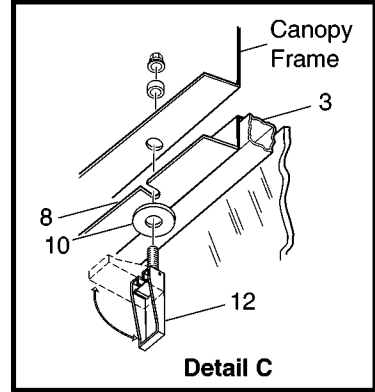
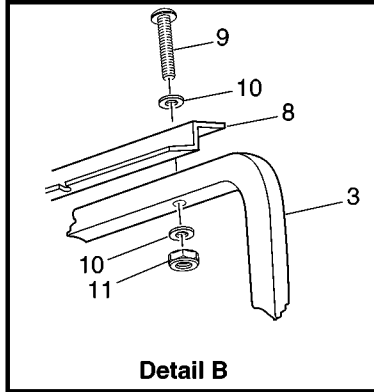
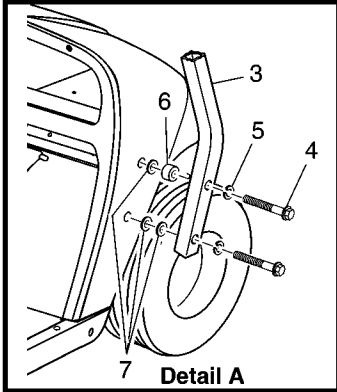
G** Indicates consult Customer Service Department for additional information.

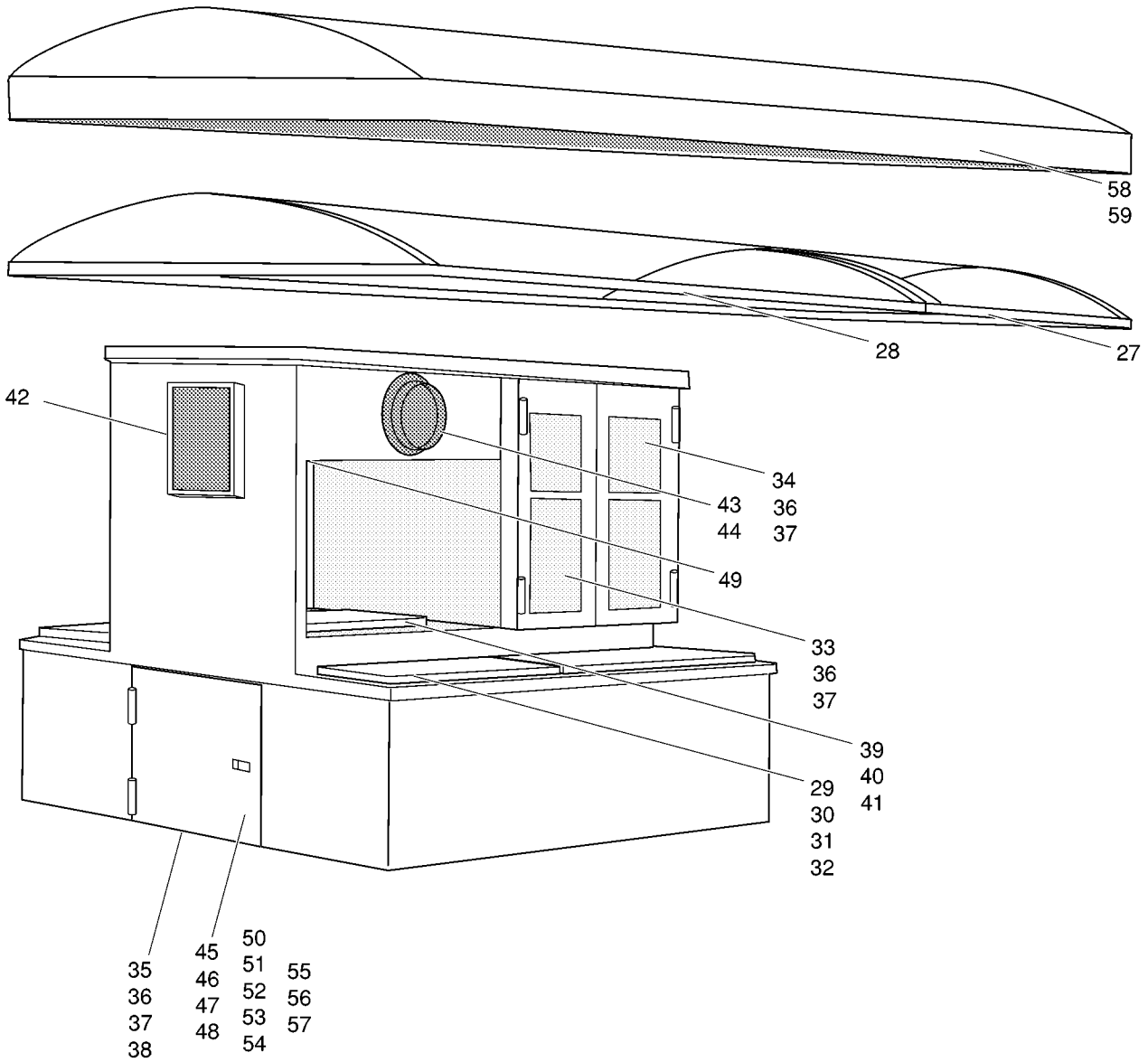
ITEM	PART NO.	1 2 3 4 5	DESCRIPTION	QTY.
1	27772-G03		WHEEL AND TIRE ASSEMBLY, TURF SAVER (INCLUDES ITEMS 2 - 4	A/R
2	27772-G07		CARLISLE TIRE (TURF SAVER 18 X 8.5 - 8, 4 PLY RATED)	1
3	15169-G1		WHEEL RIM, 4 LUG	1
4	11657-G1		VALVE STEM	1
5				
6	27772-G09		WHEEL AND TIRE ASSEMBLY, LINKS 1 (INCLUDES ITEMS 7 - 9)	A/R
7	27772-G10		CARLISLE TIRE (LINKS 1 18 X 8.5 - 8, 4 PLY RATED)	1
8	15169-G1		WHEEL RIM, 4 LUG	1
9	11657-G1		VALVE STEM	1
10				
11	27772-G01		WHEEL AND TIRE ASSEMBLY, LINKS (INCLUDES ITEMS 12 - 14	A/R
12	27772-G05		CARLISLE TIRE (LINKS 18 X 8.5 - 8, 4 PLY RATED)	1
13	15169-G1		WHEEL RIM, 4 LUG	1
14	11657-G1		VALVE STEM	1
15				
16	27775-G01		WHEEL AND TIRE ASSEMBLY, USA TRAIL (INCLUDES ITEMS 17 - 19)	A/R
17	27775-G02		CARLISLE TIRE (USA TRAIL 18.0 X 8.50 - 8, LOAD RANGE C)	1
18	15169-G1		WHEEL RIM, 4 LUG	1
19	11657-G1		VALVE STEM	1
20				
21	27784-G01		WHEEL AND TIRE ASSEMBLY, USA TRAIL (INCL ITEMS 22 - 24)	A/R
22	27784-G03		CARLISLE TIRE (USA TRAIL 5.70 - 8, LOAD RANGE C)	1
23	20732-G1		WHEEL RIM, 4 LUG	1
24	11657-G1		VALVE STEM	1
25				
26	14913-G*		8" CHROME HUBCAP (OPTIONAL)	A/R
27	16042-G*		6" CHROME HUBCAP (OPTIONAL)	A/R
28	19241-G*		GOLD SPOKE HUBCAP (OPTIONAL)	A/R
29	19241-G*		SILVER SPOKE HUBCAP (OPTIONAL)	A/R











When ordering parts, please specify the model and serial number of the product.

* Indicates a component that is not available as an individual part.

G** Indicates consult Customer Service Department for additional information.

⊛ Indicates a part that is available through Carts Of Colorado, (303) 286-8539

ITEM	PART NO.	1 2 3 4 5	DESCRIPTION	QTY.
1	00439-G1		BOLT, 5/16-18 X 1 1/8" LG.....	6
2	11098-G6		LOCK NUT, 5/16-18	6
3	74045-G01		FRONT STRUT	1
4	01035-G01		BOLT, 5/16 - 18 X 2 1/4" LG.....	4
5	00905-G8		LOCK WASHER, 5/16", BLACK.....	4
6	75048-G01		SPACER.....	2
7	00879-G1		WASHER, 3/8" X 1".....	6
8	74191-G01		TOP MOUNTING PLATE	1
9	16705-G5		PHILLIPS HEAD SCREW, 1/4-20 X 1 1/2" LG.....	2
10	00559-G7		WASHER, 1/4"	6
11	00891-G2		LOCK NUT, 1/4-20	2
12	35170-G01		LATCH.....	2
13	75021-G03		WINDSHIELD.....	1
14	75124-G01		BUMPER.....	2
15	16705-G6		PHILLIPS HEAD SCREW, 1/4-20 X 1 3/4" LG.....	4
16	72147-G01		RUBBER GROMMET.....	4
17	23726-G7		SPACER.....	4
18	00660-G7		WASHER, 1/4"	4
19	00891-G2		LOCK NUT, 1/4-20	4
20	74203-G01		MIRROR MOUNTING BRACKET	2
21	74202-G01		ROUND MIRROR, CONVEX, 6".....	2
22	1000-22044		⊛ PHILLIPS HEAD SCREW, 1/4-20 X 1" LG.....	4
23	1000-22150		⊛ LOCK WASHER, 1/4".....	4
24	609970		⊛ LOCK NUT, 1/4-20	4
25	6002-10069		⊛ PHILLIPS HEAD SCREW, #10-32 X 1 1/2" LG.....	4
26	6403-10001		⊛ LOCK NUT, #10-32	4
27	N-34009		⊛ CANOPY FRAME, 40"	1
28	N-34010		⊛ CANOPY FRAME, 63 1/2"	1
29	EZGO-01		⊛ COOLER LID, 22 1/4" X 8 1/2" X 3/4".....	4
30	EZGO-03		⊛ COOLER LID HINGE	8



VENDING UNIT

Gasoline Vehicle

When ordering parts, please specify the model and serial number of the product.

* Indicates a component that is not available as an individual part.

G** Indicates consult Customer Service Department for additional information.

⊛ Indicates a part that is available through Carts Of Colorado, (303) 286-8539

ITEM	PART NO.	1 2 3 4 5	DESCRIPTION	QTY.
31	EZGO-04	⊛	LID KEEPER PIN, STAINLESS STEEL	4
32	EZGO-05	⊛	COOLER LID LOCK.....	8
33	EZGO-06	⊛	SANDWICH COMPARTMENT DOOR, LEFT HAND.....	2
34	EZGO-07	⊛	SANDWICH COMPARTMENT DOOR, RIGHT HAND.....	2
35	EZGO-10	⊛	REAR ACCESS DOOR.....	1
36	EZGO-13	⊛	DOOR HINGE	10
37	EZGO-14	⊛	BALL CATCH.....	5
38	EZGO-15	⊛	DOOR LATCH	5
39	EZGO-16	⊛	HOT WELL PAN.....	1
40	EZGO-17	⊛	HOT WELL LID	1
41	EZGO-18	⊛	HANDLE, STAINLESS STEEL.....	2
42	EZGO-19	⊛	MENU BOARD	1
43	EZGO-21	⊛	CUP HOLDER.....	3
44	EZGO-22	⊛	CUP HOLDER TRIM RING	3
45	EZGO-23	⊛	HEATING ELEMENT, 350W, 12V.....	1
46	EZGO-24	⊛	IN-LINE FUSE HOLDER.....	1
47	EZGO-25	⊛	IN-LINE FUSE, 40A.....	1
48	EZGO-26	⊛	MERCURY CONTACTOR.....	1
49	EZGO-27	⊛	LIGHTED ROCKER SWITCH	1
50	EZGO-28	⊛	HEAT CONTROL.....	1
51	EZGO-29	⊛	CONTROL KNOB.....	1
52	EZGO-30	⊛	BATTERY, 12V	1
53	EZGO-31	⊛	BATTERY ISOLATOR	1
54	EZGO-32	⊛	BATTERY BRACKET	1
55	EZGO-33	⊛	PVC BALL VALVE, 3/4".....	2
56	EZGO-34	⊛	HOSE BARB, 3/4"	2
57	EZGO-35	⊛	CLEAR HOSE, 3/4"	2
58	EZGO-36	⊛	CANOPY	1
59	EZGO-37	⊛	VELCRO TAPE.....	1



SPECIALTY PRODUCTS

SPECIALTY PRODUCTS

SPECIALTY PRODUCTS

SPECIAL TOOLS	Part No.
DRIVE CLUTCH PULLER.....	19779-G2
FLYWHEEL PULLER.....	27111-G01
CAM PULLER.....	27851-G01
TACHOMETER.....	72526-G01
FEELER GAUGE.....	72525-G01
COMPRESSION TESTER	72524-G01
ENGINE REBUILD MANUAL	27615-G01
REAR AXLE REBUILD MANUAL.....	27660-G01
CURRENT INDICATOR.....	16489-G1
DIGITAL MULTI-METER.....	27481-G01
CRIMPING TOOL.....	27765-G01
SLIDE HAMMER (AXLE/HUB REMOVAL).....	15947-G1
SLIDE HAMMER (AXLE REMOVAL ONLY).....	18753-G1

PERFORMANCE PRODUCTS

BATTERY PROTECTOR, 14 OZ AEROSOL	75500-G01
CARBURETOR & CHOKE CLEANER, 15 OZ AEROSOL.....	75501-G01
WHITE LITHIUM GREASE, 14 OZ AEROSOL	75502-G01
PENETRANT/LUBRICANT, 15 OZ AEROSOL	75503-G01
MULTI-PURPOSE CLEANER & DEGREASER, 14 OZ AEROSOL.....	75504-G01
MULTI-PURPOSE HAND CLEANER, 32 OZ LIQUID	75505-G01
BATTERY CLEANER, 32 OZ W/TRIGGER SPRAYER.....	75506-G01
BIODEGRADABLE CLEANER, 32 OZ W/TRIGGER SPRAYER.....	75507-G01
MULTI-PURPOSE VALUE PACK	75508-G01
•BATTERY PROTECTOR, 4 OZ AEROSOL	
•PENETRANT/LUBRICANT, 4 OZ AEROSOL	
•WHITE LITHIUM GREASE, 4 OZ AEROSOL	
•CARBURETOR & CHOKE CLEANER, 4 OZ AEROSOL	

PAINT

HUNTER GREEN - TOUCH-UP PEN	28432-G02
HUNTER GREEN - 12 OZ. AEROSOL	28140-G09

ENGINE OIL

4-CYCLE ENGINE OIL, 10W-30, 5 GALLON.....	25730-G03
4-CYCLE ENGINE OIL, 10W-30, 12 QUART CASE.....	25730-G04
4-CYCLE ENGINE OIL, 10W-30, QUART BOTTLE.....	25730-G06

ACCESSORIES

ACCESSORIES LISTING

ACCESSORIES

ACCESSORIES LISTING

KIT NO.

ASHTRAY KIT	75109-G02	See BODY
BALL HITCH KIT	75326-G02	See BODY
CLEVIS HITCH KIT	75327-G02	See BODY
CHROME HUB CAP 8"	14913-G*	See WHEELS AND TIRES
CHROME HUB CAP 6"	16042-G*	See WHEELS AND TIRES
GLOVE BOX DOOR	75459-G0*	See BODY
HOUR METER KIT	75114-G02	See ELECTRICAL SYSTEM
TURN SIGNAL KIT	75107-G02	See ELECTRICAL SYSTEM
GOLD SPOKE WHEEL COVERS	19241-G*	See WHEELS AND TIRES
SILVER SPOKE WHEEL COVERS	19241-G*	See WHEELS AND TIRES
WORK LIGHT BAR WITH LIGHTS	71354-G01	See ELECTRICAL SYSTEM
WORK LIGHT BAR WITH STROBE	71354-G02	See ELECTRICAL SYSTEM
WORK LIGHT BAR WITH LIGHTS AND STROBE	71354-G03	See ELECTRICAL SYSTEM



a **TEXTRON** Company

E-Z-GO Division of Textron Inc.

P.O. Box 388 Augusta, Georgia 30903-0388 USA

Inside USA Phone: 1-800-241-5855, FAX: 1-800-448-8124

Outside USA Phone: 010-1-706-798-4311, FAX: 010-1-706-771-4609

Copyrighted Material
This manual may not be reproduced in whole or
in part without the express permission of
E-Z-GO Division of Textron Inc.
Technical Communications Department