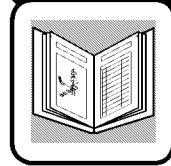


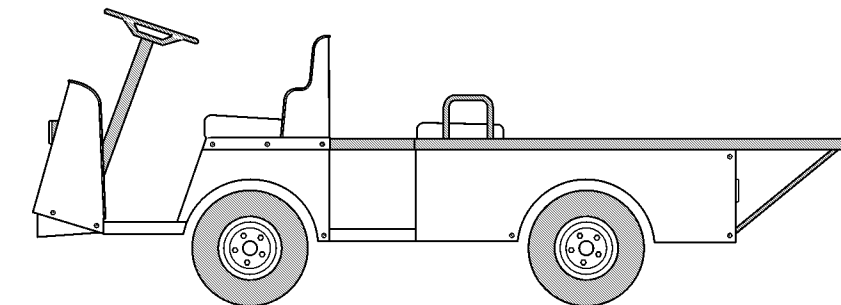
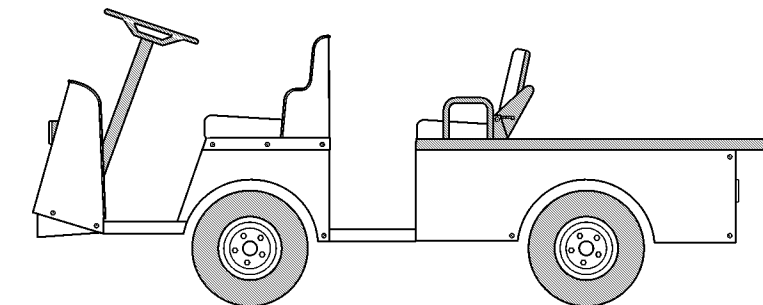
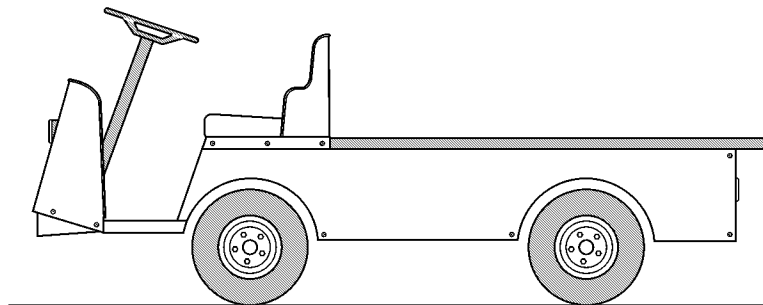
34669-G01



a **TEXTRON** Company



SERVICE PARTS MANUAL



GASOLINE POWERED CARGO & PERSONNEL CARRIERS

MODEL YEARS: 1998-2002

REVISED: 7/2001

SERVICE PARTS MANUAL

GASOLINE CARGO AND PERSONNEL CARRIERS

VEHICLES

EZGO
INDUSTRIAL
875G

EZGO
INDUSTRIAL
875PG

EZGO
INDUSTRIAL
875AG

EZGO
WorkHorse™
875G

EZGO
WorkHorse™
875PG

E-Z-GO Division of Textron reserves the right to make design changes without obligation to make these changes on units previously sold and the information contained in this manual is subject to change without notice.

E-Z-GO Division of Textron is not liable for errors in this manual or for incidental or consequential damages that result from the use of the material in this manual.

CUSTOMER SERVICE DEPARTMENT IN USA PHONE: 1-800-241-5855 FAX: 1-800-448-8124

OUTSIDE USA PHONE: 010-1-706-798-4311, FAX: 010-1-706-771-4609

E-Z-GO DIVISION OF TEXTRON, INC., P.O.BOX 388, AUGUSTA, GEORGIA USA 30903-0388



NOTES

TO OBTAIN A COPY OF THE LIMITED WARRANTY THAT IS APPLICABLE TO THE VEHICLE, CALL OR WRITE A LOCAL DISTRIBUTOR, E-Z-GO BRANCH OR E-Z-GO WARRANTY DEPARTMENT WITH VEHICLE SERIAL NUMBER AND MANUFACTURER'S CODE.

THE USE OF NON E-Z-GO PARTS MAY VOID THE WARRANTY.

TAMPERING WITH OR ADJUSTING THE GOVERNOR TO PERMIT VEHICLE TO OPERATE AT ABOVE FACTORY SETTINGS OF 12 - 15 MPH (19 - 24 KPH) WILL VOID THE VEHICLE WARRANTY.

GENERAL INDEX

Illustration	Page No.
ACCELERATOR	
• Pedal Box Assembly.....	A-1
• Accelerator Pedal	A-1
• Choke Cable.....	A-2
• Linkages.....	A-2
• Governor	A-2
AIR FILTER	B-1
BODY	
• Cowl and Front Shield	C-1
• Dash Panel.....	C-2
• Floorboards and Rocker Panels.....	C-2
• Front Bumper	C-2
• Seat Back Support and Seat Frame.....	C-3
• Access Panel.....	C-4
• Wheel Well Shields.....	C-4
• Rear Body Panel	C-5
• Rear Bumper.....	C-5
• Hitches	C-6
• Fuel Inlet	C-6
BRAKES	
• Service Brake, Master Cylinder, Front Hydraulic Disc Brake Lines and Hoses.....	D-1
• Brake Lines	D-2
• Parking Brake.....	D-3
• Wheel Brake.....	D-4
CAB AND VAN BOX	
• Windshield Wiper.....	E-1
• Cab.....	E-1
• Rear View Mirror	E-2
• Van Box.....	E-3
CARBURETOR	F-1
CLUTCH.....	G-1
DIRECTION SELECTOR	H-1
ELECTRICAL	
• Battery.....	J-1
• Fuse Block	J-1

GENERAL INDEX

• Control Harness.....	J-2
• Electrical Plate.....	J-3
• Pulser Coil and Ignition Coil.....	J-4
• Ignition Switch.....	J-5
• Oil/Fuel Light.....	J-5
• Hour Meter.....	J-5
• Fuel Gauge.....	J-5
• Turn Signal Switch.....	J-6
• Horn.....	J-6
• Accessory Harness.....	J-7
• Headlights and Turn Signals.....	J-8
• Taillights.....	J-8
• Seat Switch.....	J-9

ENGINE AND MUFFLER

• Engine.....	K-1
• Muffler.....	K-1
• Engine Mount.....	K-2

FRONT SUSPENSION / BRAKES

• Front Axle.....	L-1
• Leaf Springs.....	L-1
• Shock Absorbers.....	L-1
• Front Hydraulic Disc Brakes.....	L-2

FUEL SYSTEM

• Fuel Tank and Lines.....	M-1
• Fuel Pump.....	M-1

REAR AXLE.....	N-1
----------------	-----

REAR SUSPENSION

• Leaf Springs.....	P-1
• Shock Absorbers.....	P-1

SEATS.....	Q-1
------------	-----

SIDE PANELS AND CARGO DECK (875-G)

• Bed Frame.....	R-1
• Cargo Deck and Steel Deck.....	R-1
• Side Panels.....	R-1
• Footrest and Bulkhead Support.....	R-2
• Deck Spacer and Latch Assembly.....	R-2

GENERAL INDEX

- Rear Bulkhead R-3
- Rail Sides and Stake Sides..... R-3
- Drop Side with Toolbox R-4

SIDE PANELS AND CARGO DECK (875-PG)

- Bed Frame R-9
- Cargo Deck..... R-9
- Side Panels..... R-9
- Footrest and Bulkhead Support R-10
- Deck Spacer and Latch Assembly R-10
- Passenger Seat R-11
- Steel Deck and Rear Bulkhead..... R-12
- Rail Sides and Stake Sides..... R-12
- Rear Facing Passenger Seat and Footrest..... R-13

SIDE PANELS AND CARGO DECK (875-AG)

- Bed Frame R-19
- Cargo Deck and Steel Deck..... R-19
- Side Panels..... R-19
- Rear Bed Support, Rear Seat..... R-20
- Deck Spacer and Latch Assembly R-20
- Footrest and Bulkhead Support R-21
- Rail Sides..... R-21

STARTER/GENERATOR..... S-1

STEERING..... T-1

WEATHER PROTECTION

- Full Length Sun Top U-1
- Windshield U-2
- Sun Top..... U-2
- Weather Enclosure..... U-3

WHEELS AND TIRES..... V-1

SPECIALTY PRODUCTS Appendix - A

- Special Tools
- Paint
- Performance Products

ACCESSORIES Appendix - B

- Accessories Listing



HOW TO USE THE E-Z-GO SERVICE PARTS MANUAL

This manual is divided into several sections:

- GENERAL INFORMATION
- ILLUSTRATED PARTS BREAKDOWN
- APPENDIX

The first section, GENERAL INFORMATION, contains the following information:

- WARRANTY INFORMATION
- GENERAL INDEX
- HOW TO USE THE E-Z-GO SERVICE PARTS MANUAL

The second section, ILLUSTRATED PARTS BREAKDOWN (IPB), contains illustrations and parts lists for all systems of your vehicle.

The third section, APPENDIX, contains a listing of specialty products and accessories.

USE OF THE MANUAL

To use this manual, consult the GENERAL INDEX to locate the information or illustration required.

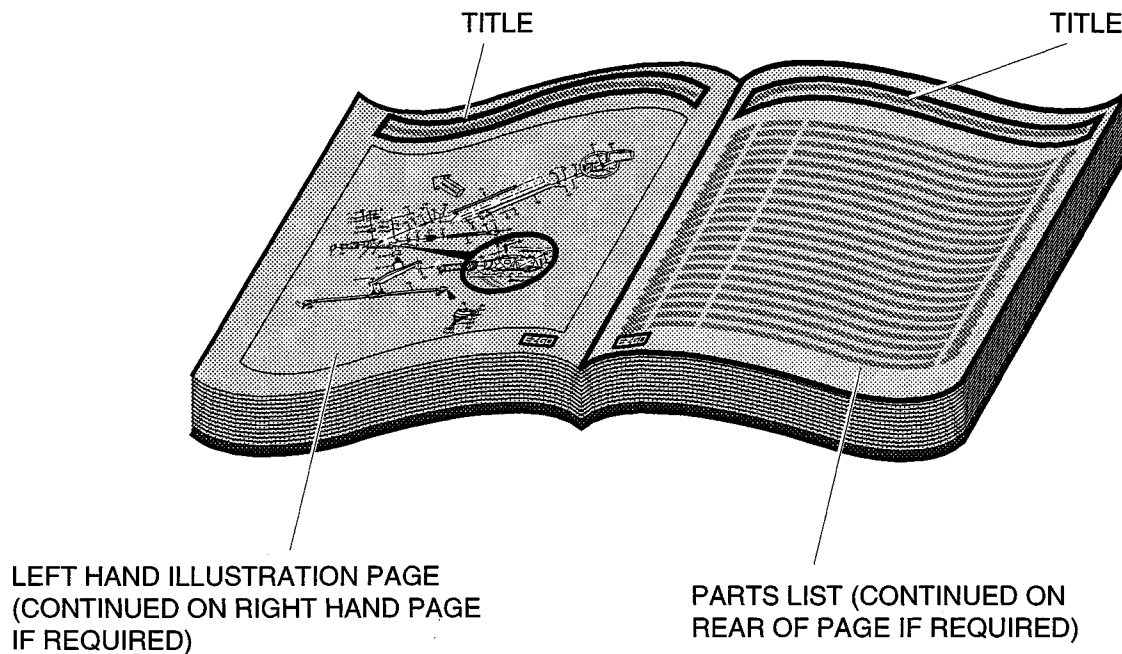
E-Z-GO manuals are revised periodically and annually to coincide with the model year change. The manual will cover all models and model years stated on the cover page.

Introduction of some revisions varies due to supply of components; therefore, it is possible that various combinations of components may be found that are not directly reflected by each illustration. Consult the illustration that best suits your situation and then contact the Service Parts Department. It is important that the serial number of your vehicle and its model number be supplied to Service Parts when ordering any replacement components.

Locate the serial number plate (see Body and Associated Parts located in the IPB section of this manual for its location) and note the complete number shown on the plate.



HOW TO USE THE E-Z-GO SERVICE PARTS MANUAL



1. WHEN THE PART NUMBER IS NOT KNOWN

- Determine the function and application of the part required. Turn to the General Index and select the most appropriate title.
- Turn to the page number indicated and locate the desired part on the illustration.
- From the illustration, obtain the item number assigned to the desired part. Refer to the accompanying description for specific information regarding the part.

2. IF YOU KNOW THE PART NUMBER

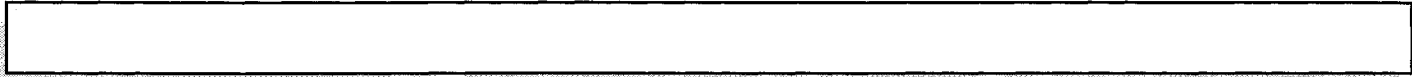
- Locate the part number or description in the appropriate column on the parts list page.

NOTE: It is suggested that you confirm that the part selected is correct by verifying it with the pictorial representation on the illustrated page.

Should an asterisk (*) appear in the part number column on the parts list page, read upwards until a part number is found. The part number is the lowest assembly sold by E-Z-GO and the asterisk (*) indicates that the part depicted is not available for sale by E-Z-GO.

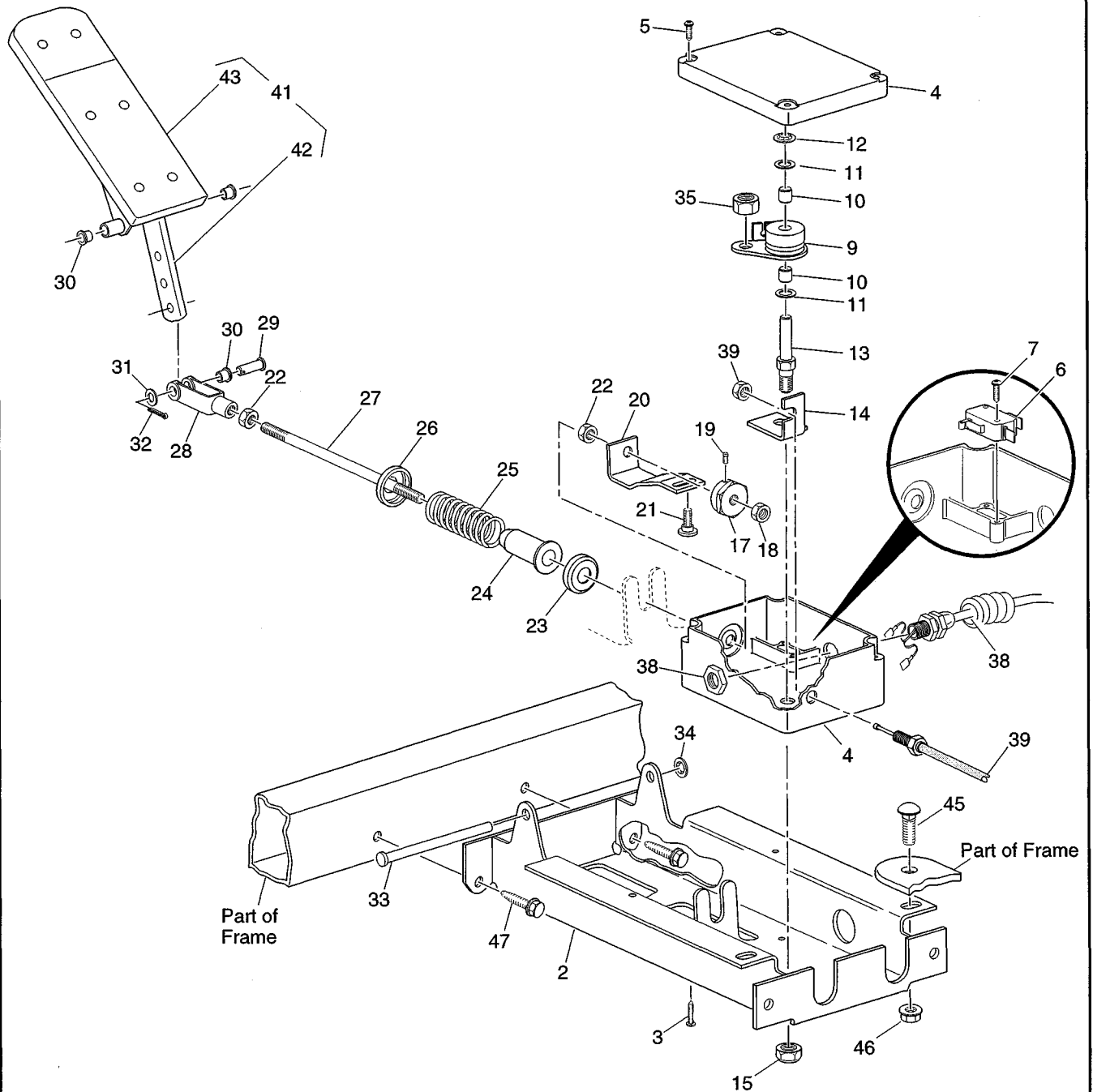
NOTE: Descriptions are indented under the assembly that they are used on. That assembly is, in turn listed under the assembly that it is used on. This process is repeated until the highest final assembly is reached.

To facilitate the maintenance and repair of the vehicle, a Technician's Repair and Service Manual (P/N 34670-G01) is available from the E-Z-GO Service Parts Department.

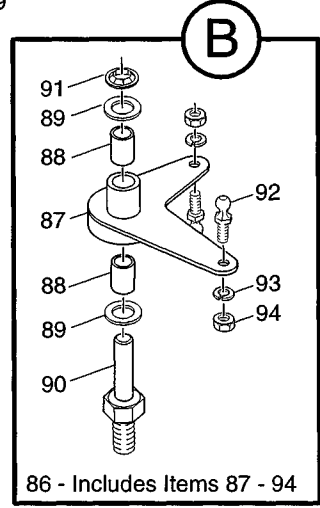
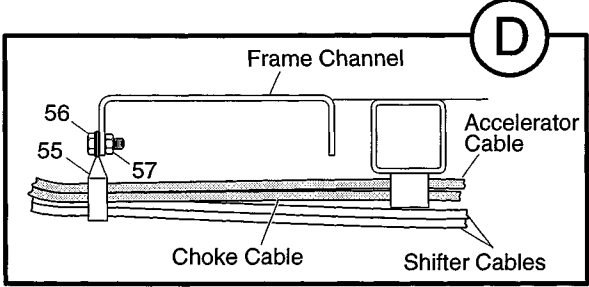
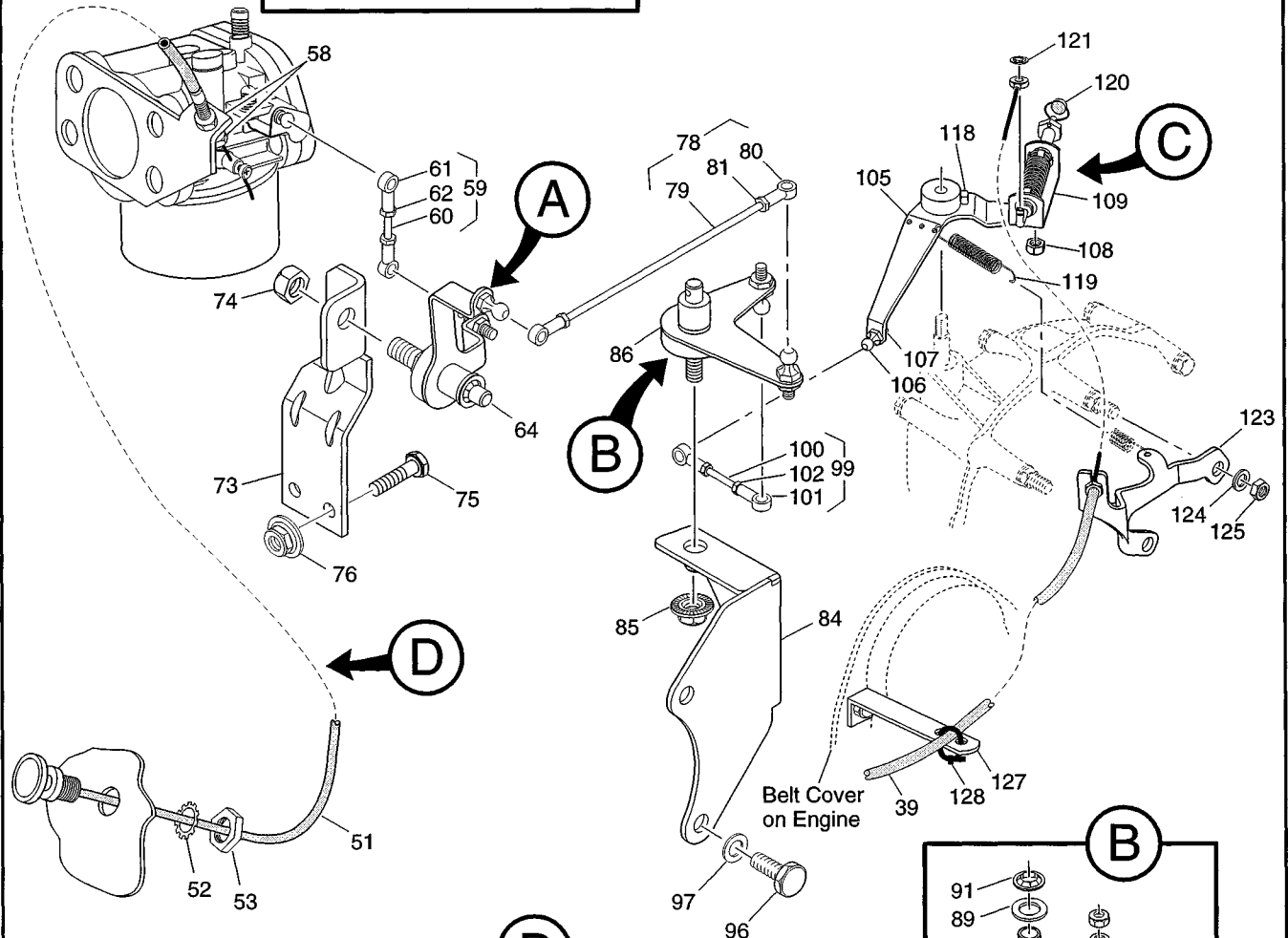
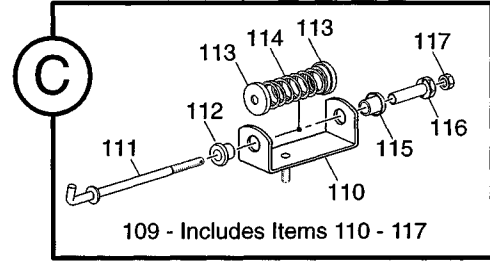
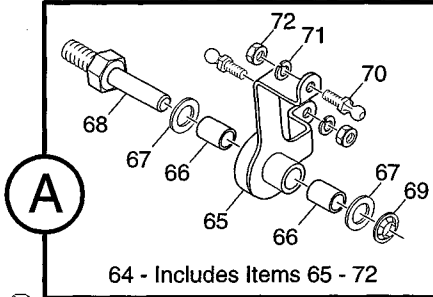


ILLUSTRATED PARTS BREAKDOWN

1 - Includes Items 2 - 43



83 - Includes Items 84 - 94
104 - Includes Items 105 - 117



When ordering parts, please specify the model and serial number of the product.

* Indicates a component that is not available as an individual part.

G** Indicates consult Customer Service Department for additional information.

ITEM	PART NO.	1 2 3 4 5	DESCRIPTION	QTY.
1	72062-G04		PEDAL BOX ASSEMBLY (INCLUDES ITEMS 2 - 43)	1
2	70116-G01		ACCELERATOR PEDAL BRACKET.....	1
3	00984-G01		SCREW, #8 - 10 X 1/2" LG.	4
4	25853-G02		PEDAL BOX AND COVER	1
5	00684-G6		SCREW, #8 - 32 X 3/4" LG.	4
6	25861-G01		MICRO SWITCH.....	1
7	00982-G01		SCREW, #4 - 14 X 5/8" LG	2
8				
9	72066-G01		CONTROL ARM	1
10	23860-G1		BEARING.....	2
11	24621-G1		NYLON WASHER, 5/16".....	2
12	12064-G1		PUSH NUT, 5/16".....	1
13	25768-G01		PIVOT ROD	1
14	72199-G01		PIVOT BOX AND COVER	1
15	14390-G1		LOCK NUT, 3/8 - 24.....	1
16				
17	72198-G01		MICRO SWITCH CAM.....	1
18	00550-G4		LOCK NUT, 5/16 - 24.....	3
19	00487-G3		SETSCREW, 1/4 - 20 X 3/8" LG	1
20	72074-G01		CONTROL ARM LINK	1
21	72225-G01		SHOULDER BOLT, #10 - 24 X 11/16" LG.....	1
22	00532-G4		NUT, 5/16 - 24.....	2
23	17677-G1		SPRING RETAINER	1
24	17979-G1		ACCELERATOR ROD BUSHING.....	1
25	73046-G01		COMPRESSION SPRING	1
26	17677-G2		SPRING RETAINER	1
27	72072-G01		ACCELERATOR ROD	1
28	10385-G4		CLEVIS YOKE (ADJUSTABLE).....	1
29	10386-G3		CLEVIS PIN, 5/16" X 1" LG	1
30	17838-G1		NYLON BUSHING	3

When ordering parts, please specify the model and serial number of the product.
 * Indicates a component that is not available as an individual part.
 G** Indicates consult Customer Service Department for additional information.

ITEM	PART NO.	1 2 3 4 5	DESCRIPTION	QTY.
31	17255-G1		TEFLON WASHER, 5/16"	1
32	10387-G3		COTTER PIN, 3/32 X 3/4" LG	1
33	70134-G01		PEDAL PIVOT PIN	1
34	00986-G01		PUSH NUT, 9/32"	1
35	14390-G10		LOCK NUT, #10 - 24.....	1
36	12730-G1		WHEEL BEARING GREASE (NOT ILLUSTRATED).....	A/R
37				
38	34204-G01		WIRE HARNESS (PEDAL BOX)	1
39	34043-G01		ACCELERATOR CABLE	1
40				
41	34437-G01		ACCELERATOR PEDAL ASSEMBLY (INCLUDES ITEMS 42 - 43)	1
42	70125-G03		ACCLERATOR PEDAL	1
43	71764-G02		PEDAL PAD	1
44				
45	00827-G8		CARRIAGE BOLT, 1/4 - 20 X 1" LG	2
46	11027-G2		LOCK NUT, 1/4 - 20	2
47	00715-G2		BOLT, 5/16 - 18 X 13/16" LG.....	2
48				
49				
50				
51	34042-G01		CHOKE CABLE.....	1
52	00568-G4		LOCK WASHER, 9/16"	1
53	00545-G4		NUT, 9/16 - 18	1
54				
55	27327-G01		CLAMP	1
56	00414-G6		BOLT, 1/4 - 20 X 3/4" LG.....	1
57	11027-G2		LOCK NUT, 1/4 - 20	1
58	00544-G4		NUT, 5/16 - 24.....	2
59	25737-G01		CARBURETOR LINKAGE ROD (INCLUDES ITEMS 60 - 62).....	1
60	23722-G1		ADJUSTING ROD (SHORT)	1



When ordering parts, please specify the model and serial number of the product.

* Indicates a component that is not available as an individual part.

G** Indicates consult Customer Service Department for additional information.

ITEM	PART NO.	1	2	3	4	5	DESCRIPTION	QTY.
61	24465-G1						BALL JOINT SOCKET	2
62	00526-G4						NUT, #10 - 32	2
63								
64	25760-G01						CARBURETOR LINKAGE BELLCRANK (INCLUDES ITEMS 65 - 72).....	1
65	25759-G01						CARBURETOR PIVOT	1
66	23860-G1						BEARING	2
67	24621-G1						NYLON WASHER, 5/16"	2
68	25768-G01						PIVOT ROD	1
69	12064-G1						PUSH NUT, 5/16"	1
70	24479-G1						BALL JOINT BALL	2
71	00565-G5						LOCK WASHER, #10	2
72	00526-G4						NUT, #10 - 32	2
73	72197-G01						PIVOT BRACKET	1
74	14390-G1						LOCK NUT, 3/8 - 24	1
75	00414-G8						BOLT, 1/4 - 20 X 1" LG	2
76	14390-G4						LOCK NUT, 1/4 - 20	2
77								
78	25737-G02						THROTTLE LINKAGE ROD ASSEMBLY (INCLUDES ITEMS 79 - 81).....	1
79	28250-G01						ADJUSTING ROD (LONG)	1
80	24465-G1						BALL JOINT SOCKET	2
81	00526-G4						NUT, #10 - 32	2
82								
83	25702-G01						GOVERNOR PIVOT BRACKET ASSEMBLY (INCLUDES ITEMS 84 - 94).....	1
84	25655-G01						BELLCRANK BRACKET	1
85	14390-G1						LOCK NUT, 3/8 - 24	1
86	25763-G01						GOVERNOR PIVOT ASSEMBLY (INCLUDES ITEMS 87 - 94)	1
87	25762-G01						GOVERNOR PIVOT	1
88	23860-G1						BEARING	2
89	24621-G1						NYLON WASHER, 5/16"	2
90	25768-G01						PIVOT ROD	1

When ordering parts, please specify the model and serial number of the product.

* Indicates a component that is not available as an individual part.

G** Indicates consult Customer Service Department for additional information.

ITEM	PART NO.	1	2	3	4	5	DESCRIPTION	QTY.
91	12064-G1						PUSH NUT, 5/16"	1
92	24479-G1						BALL JOINT BALL	2
93	00565-G5						LOCK WASHER, #10.....	2
94	00526-G4						NUT, #10 - 32	2
95								
96	00276-G6						BOLT, 5/16 - 24 X 3/4" LG	2
97	00565-G8						LOCK WASHER, 5/16"	2
98								
99	25737-G03						GOVERNOR LINKAGE ROD (INCLUDES ITEMS 100 - 102).....	1
100	23722-G1						ADJUSTING ROD	1
101	24465-G1						BALL JOINT SOCKET.....	2
102	00526-G4						NUT, #10 - 32.....	2
103								
104	25690-G01						GOVERNOR BELLCRANK ASSEMBLY (INCLUDES ITEMS 105 - 117)	1
105	25765-G01						GOVERNOR BELLCRANK	1
106	24479-G1						BALL JOINT BALL.....	1
107	00734-G5						LOCK NUT, #10 - 32.....	1
108	14390-G4						LOCK NUT, 1/4 - 20.....	1
109	22751-G2						GOVERNOR BRACKET ASSEMBLY (INCLUDES ITEMS 110 - 117)	1
110	22752-G1						GOVERNOR BRACKET	1
111	25274-G1						GOVERNOR ROD	1
112	22754-G1						BUSHING.....	1
113	25661-G01						CUP WASHER	2
114	23578-G1						COMPRESSION SPRING	1
115	22754-G2						BUSHING.....	1
116	23859-G1						GOVERNOR ADJUSTER	1
117	00526-G4						NUT, #10 - 32	1
118	00491-G4						SETSCREW, 1/4 - 20 X 1/2" LG	2
119	25738-G01						SPRING	1
120	25286-G1						SAFETY SEAL, 3/8"	1



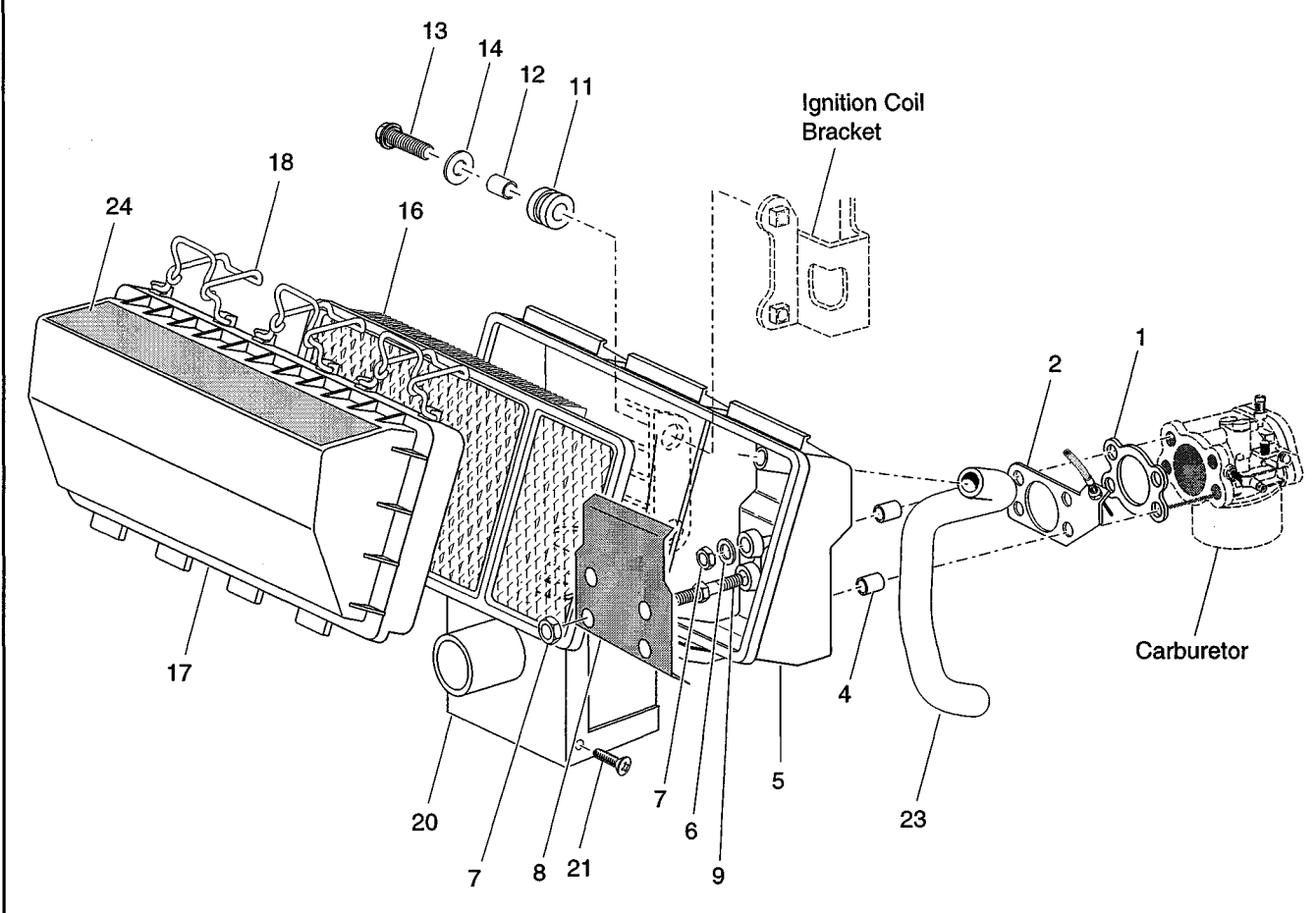
When ordering parts, please specify the model and serial number of the product.

* Indicates a component that is not available as an individual part.

G** Indicates consult Customer Service Department for additional information.

ITEM	PART NO.	1 2 3 4 5	DESCRIPTION	QTY.
121	12064-G3		PUSH NUT, 3/16"	1
122				
123	25653-G01		ACCELERATOR CABLE BRACKET	1
124	26826-G01		LOCK WASHER, M8	2
125	26827-G01		NUT, M8 X 1.25MM	2
126				
127	72055-G01		ACCELERATOR CABLE BRACKET	1
128	17618-G1		WIRE TIE	7





When ordering parts, please specify the model and serial number of the product.

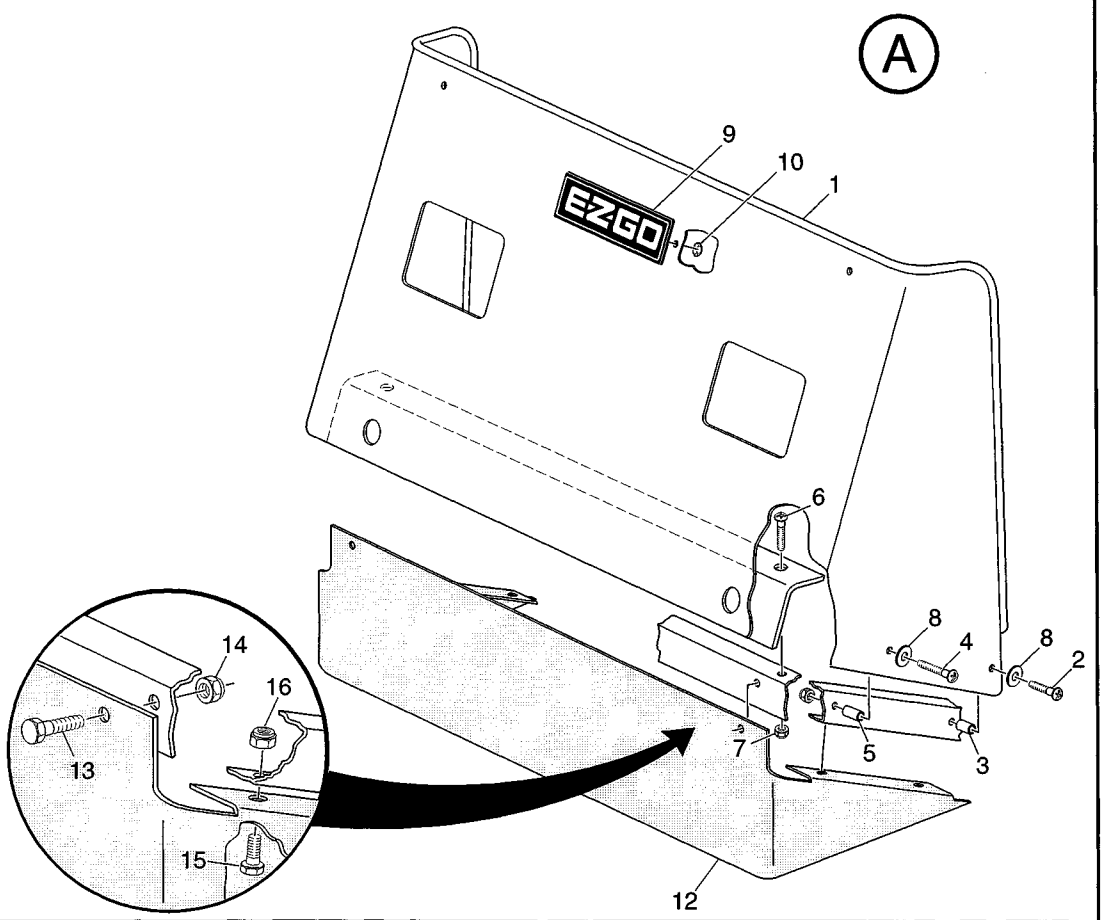
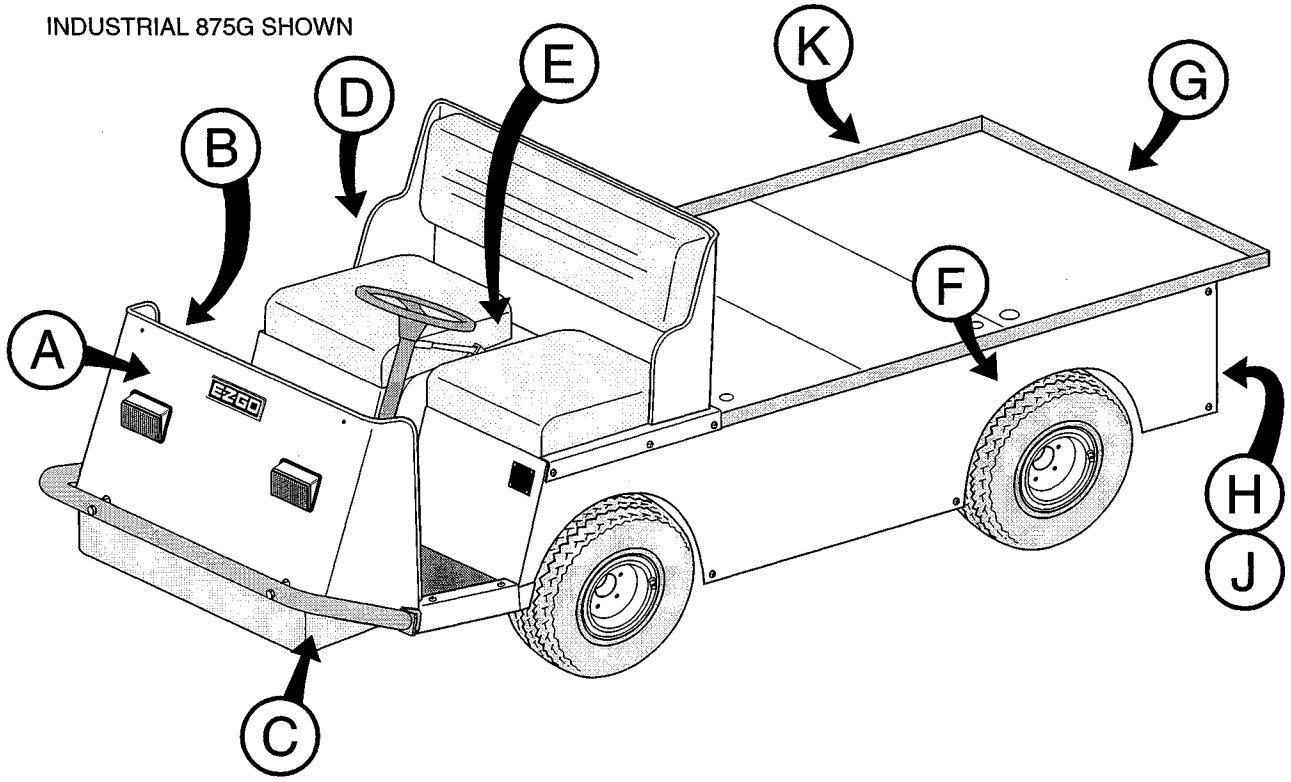
* Indicates a component that is not available as an individual part.

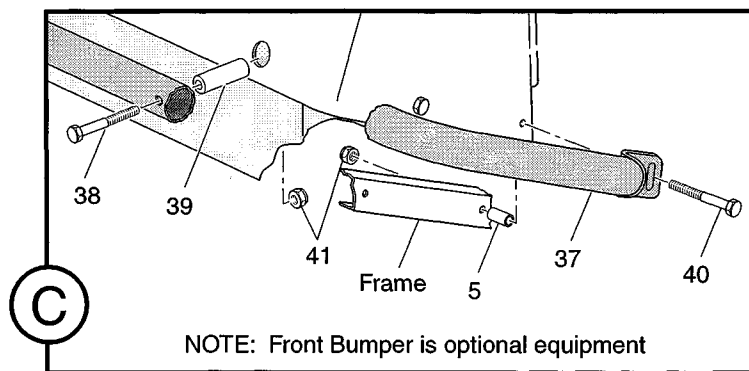
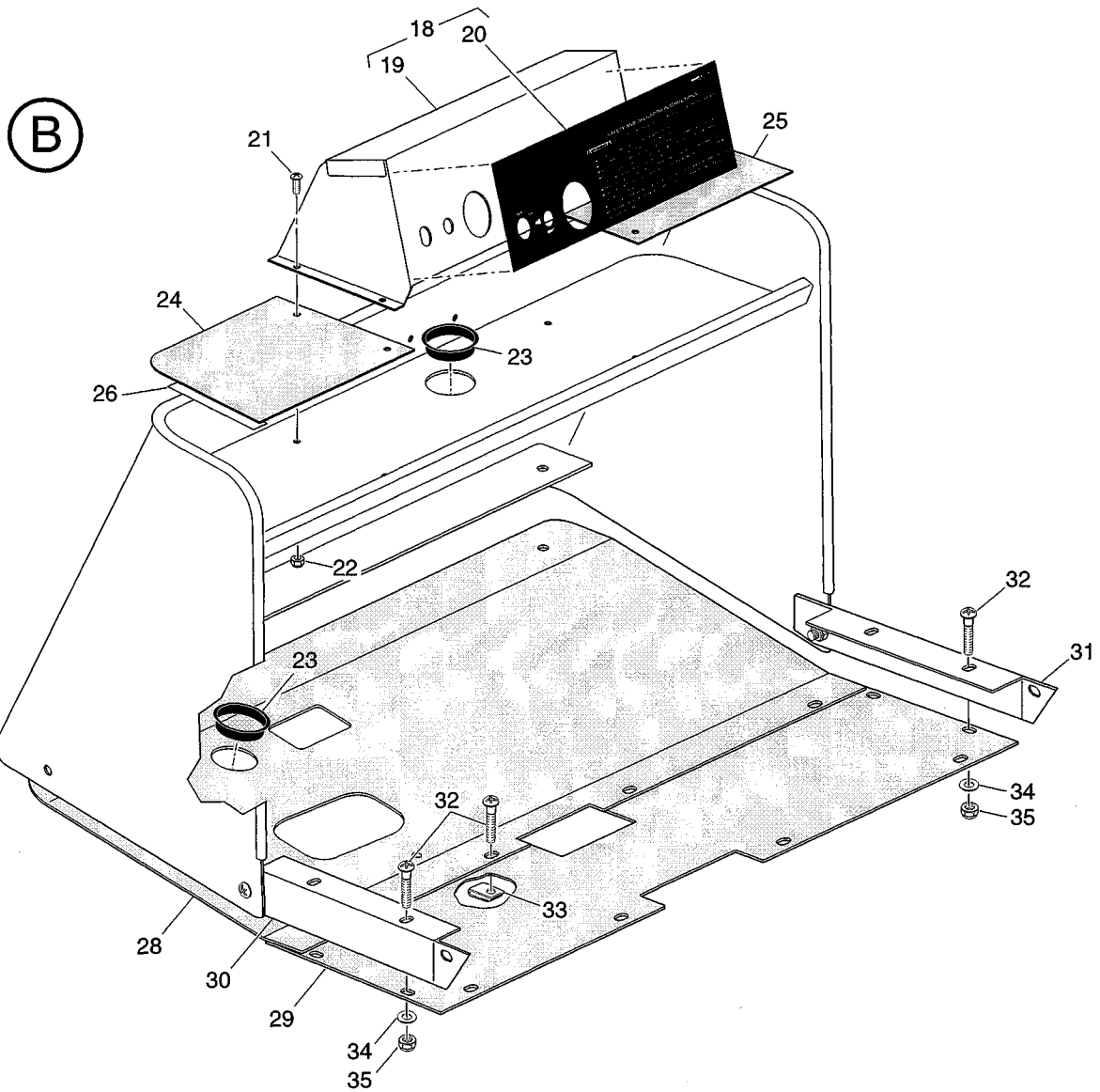
G** Indicates consult Customer Service Department for additional information.

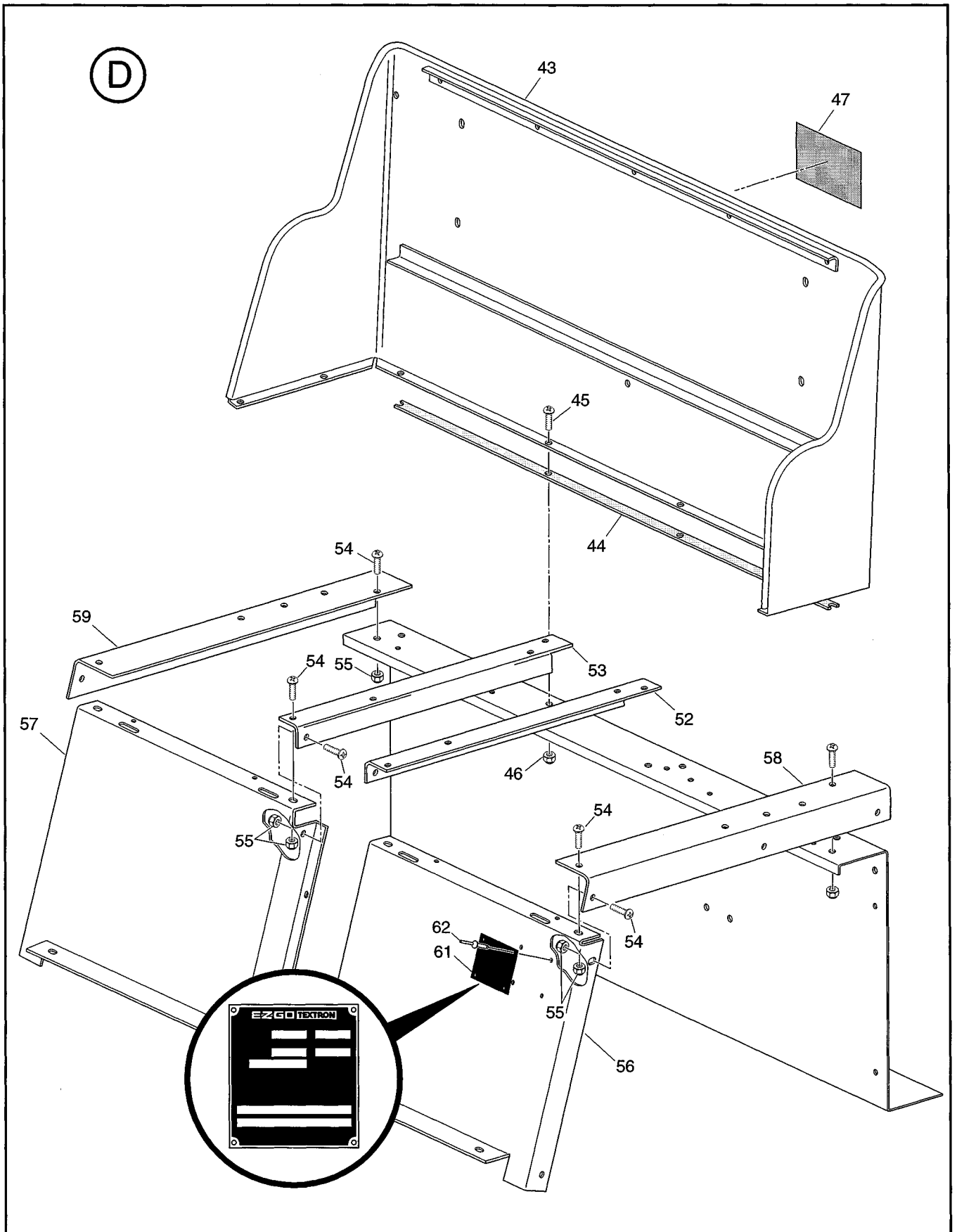
ITEM	PART NO.	1 2 3 4 5	DESCRIPTION	QTY.
1	26727-G01		CARBURETOR / AIR BOX GASKET	2
2	26728-G01		CHOKE BRACKET	1
3				
4	23726-G6		SPACER, 7/16"	4
5	72178-G02		HOUSING	1
6	51400-G1		LOCK WASHER, 6 MM.....	2
7	13632-G1		NUT, M6 X 1.....	4
8	72529-G01		BAFFLE	1
9	72514-G01		STUD, M6 X 1 X 39 MM LG.....	2
10				
11	72147-G01		HOUSING MOUNT GROMMET	2
12	23726-G7		SPACER, 9/16"	2
13	26671-G01		BOLT AND WASHER, M6 X 1 X 30 MM LG.	2
14	26701-G01		WASHER, 6.5MM	2
15				
16	72368-G01		AIR FILTER ELEMENT	1
17	72179-G02		AIR FILTER COVER	1
18	72145-G01		LATCH.....	3
19				
20	72146-G02		INLET COVER	1
21	00614-G5		SCREW, #8 - 18 X 5/8" LG.	6
22				
23	72151-G01		PCV HOSE	1
24	74093-G01		LABEL (WARNING)	1

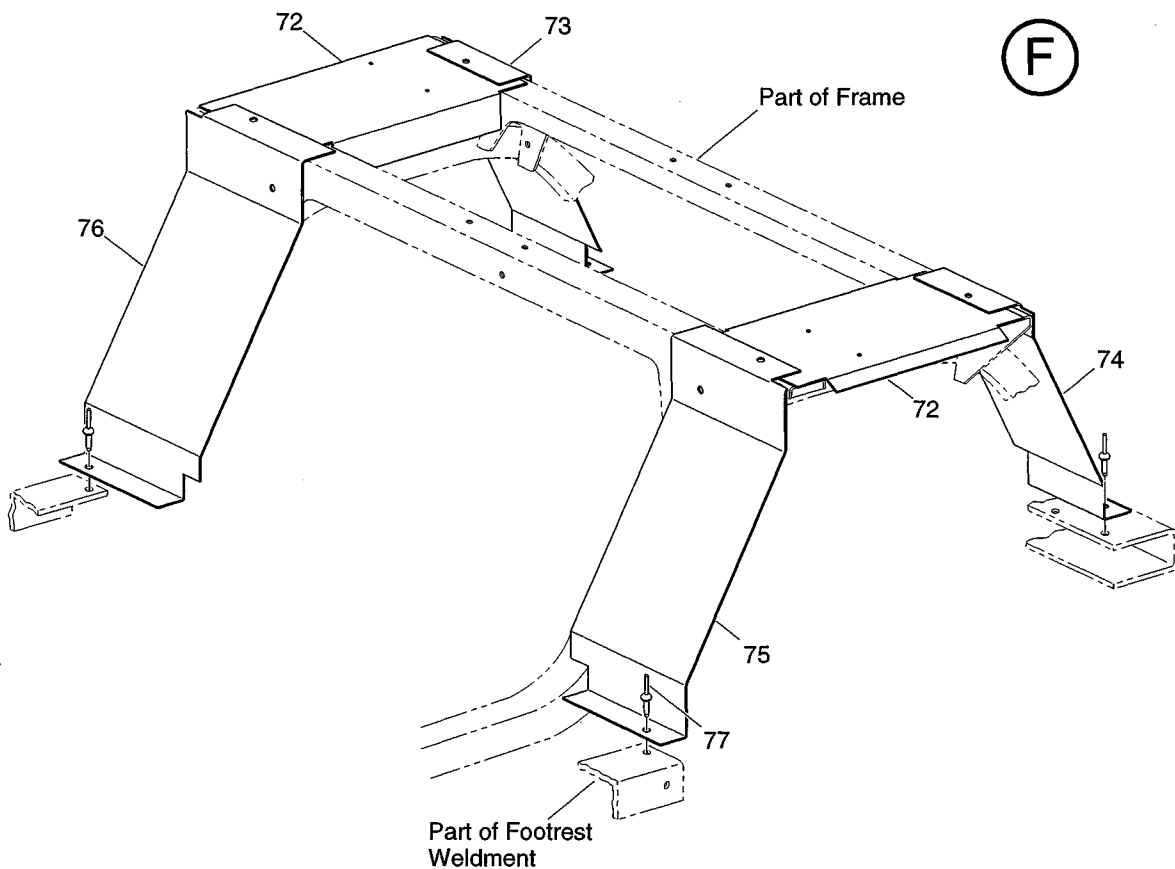
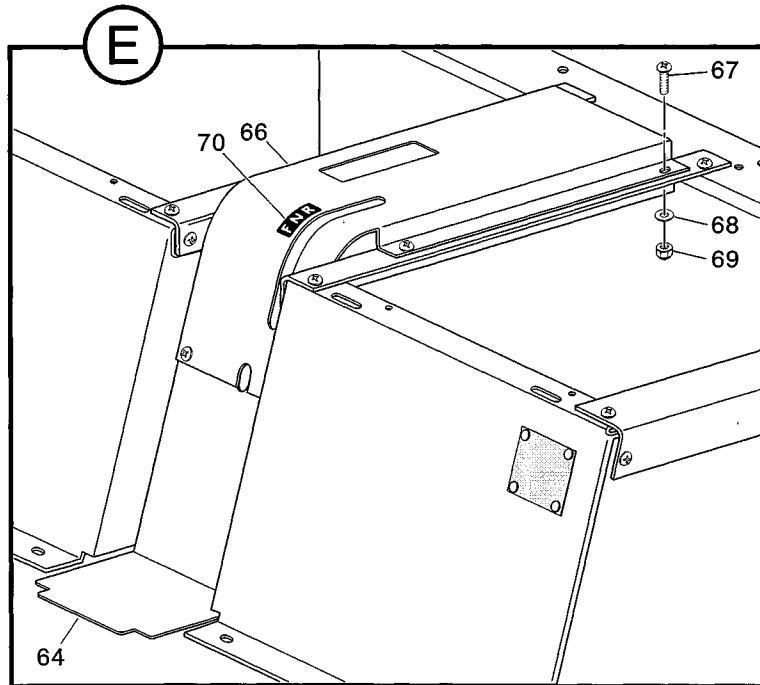


INDUSTRIAL 875G SHOWN



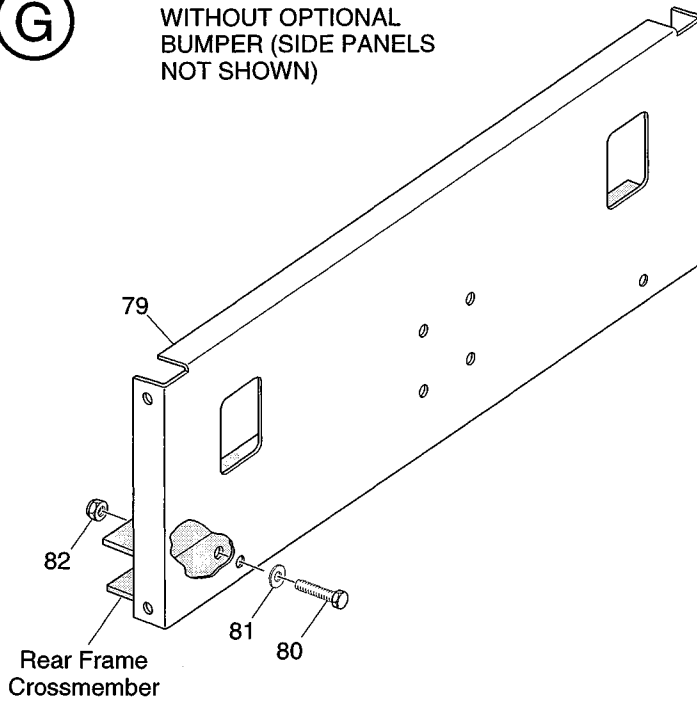






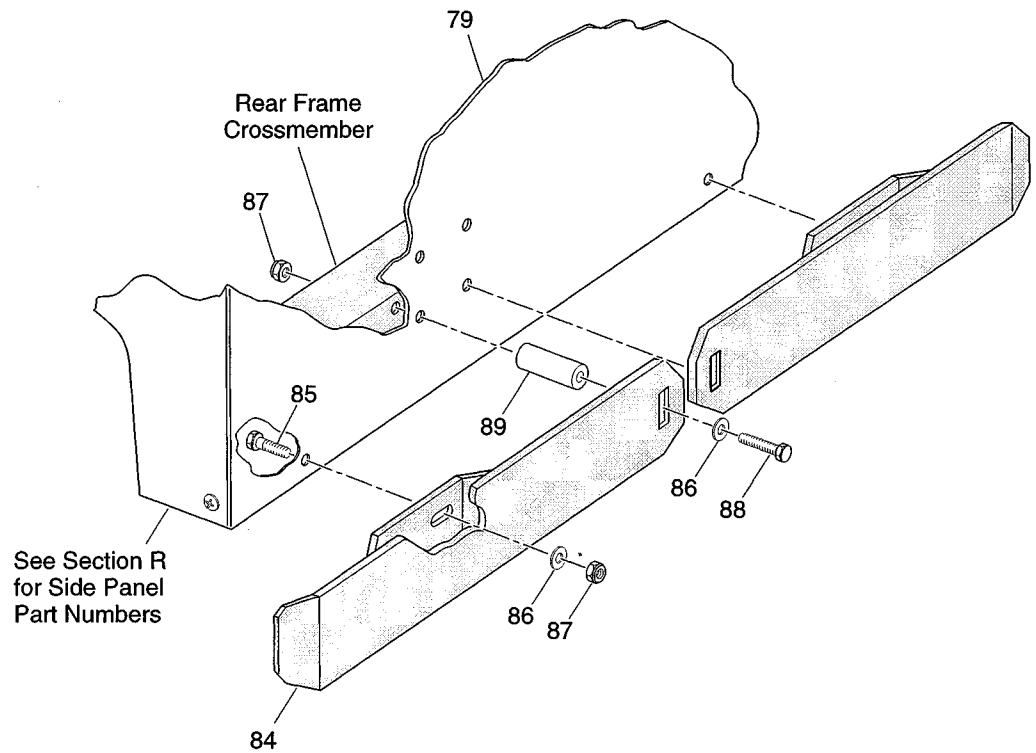
G

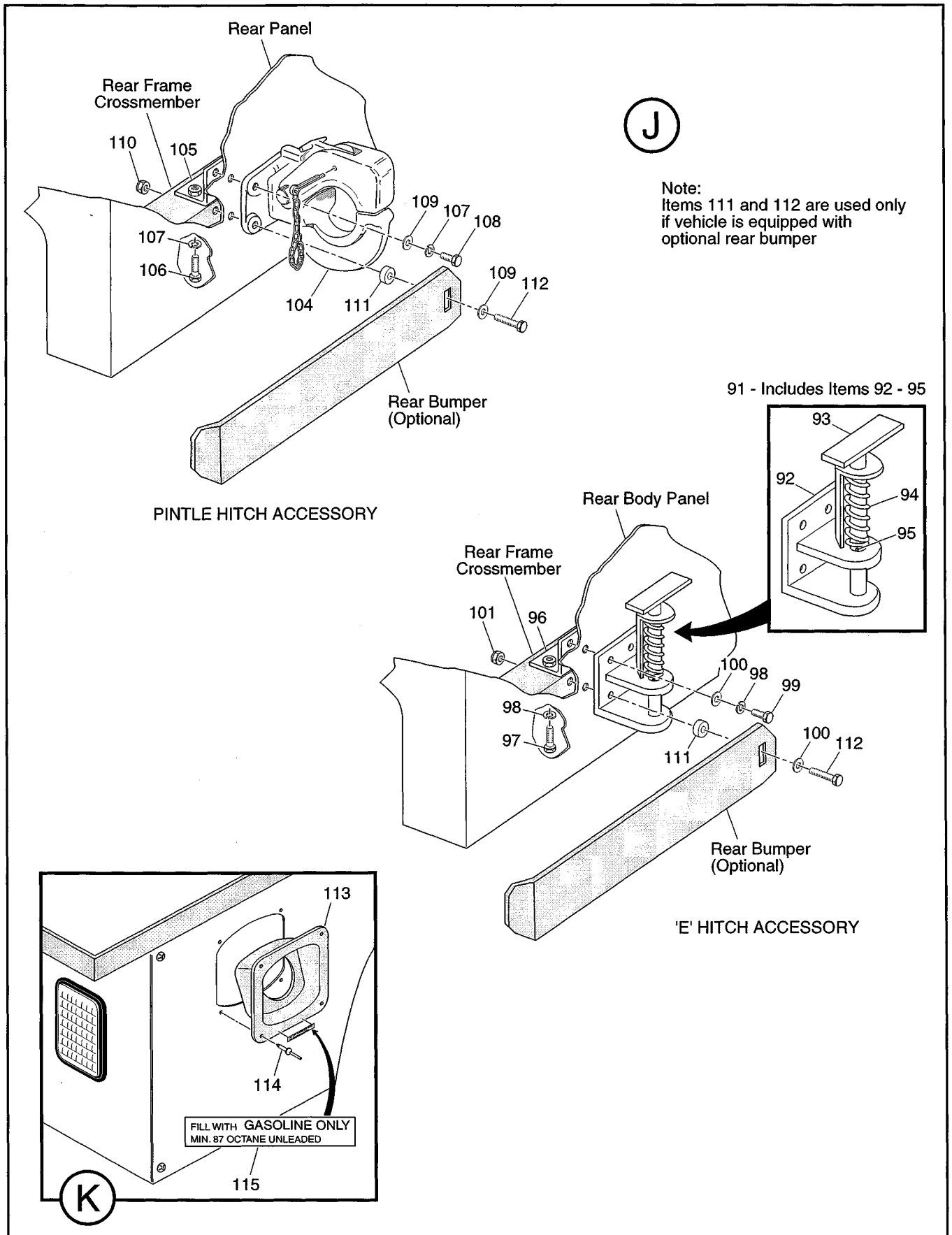
REAR BODY PANEL SHOWN WITHOUT OPTIONAL BUMPER (SIDE PANELS NOT SHOWN)



H

REAR BODY PANEL SHOWN WITH OPTIONAL BUMPER





When ordering parts, please specify the model and serial number of the product.
 * Indicates a component that is not available as an individual part.
 G** Indicates consult Customer Service Department for additional information.

ITEM	PART NO.	1	2	3	4	5	DESCRIPTION	QTY.
1	34303-G01						COWL	1
2	00753-G6						SCREW, 1/4 - 20 X 2 1/4" LG (STAINLESS STEEL)	2
3	34472-G01						SPACER.....	2
4	00753-G7						SCREW, 1/4 - 20 X 2 1/2" LG	2
5	34472-G02						SPACER.....	2
6	16705-G1						SCREW, 1/4 - 20 X 1" LG	2
7	00891-G2						LOCK NUT, 1/4 - 20	6
8	00915-G1						BONDED WASHER, 1/4"	4
9	71037-G02						NAMEPLATE (E-Z-GO).....	1
10	12064-G3						PUSH NUT, 3/16"	3
11								
12	34354-G01						FRONT SHIELD.....	1
13	00438-G6						BOLT, 5/16 - 18 X 3/4" LG.....	2
14	11098-G6						LOCK NUT, 5/16 - 18	2
15	00414-G6						BOLT, 1/4 - 20 X 3/4" LG.....	4
16	00891-G2						LOCK NUT, 1/4 - 20	4
17								
18	34346-G01						DASH PANEL ASSEMBLY (INCLUDES ITEMS 19 - 20).....	1
19	34844-G01						DASH PANEL	1
20	34375-G01						LABEL (INSTRUCTIONS AND SAFETY).....	1
21	16705-G2						SCREW, 1/4 - 20 X 5/8" LG	4
22	00891-G2						LOCK NUT, 1/4 - 20	4
23	22497-G2						SNAP BUSHING	2
24	34376-G01						DASH MAT (DRIVER SIDE)	1
25	34376-G02						DASH MAT (PASSENGER SIDE)	1
26	23093-G1						DOUBLE SIDED TAPE (YARD INCREMENTS)	AR
27								
28	34308-G01						FORWARD FLOORBOARD.....	1
29	34309-G01						FLOORBOARD	1
30	34311-G01						ROCKER PANEL (DRIVER SIDE).....	1



When ordering parts, please specify the model and serial number of the product.
 * Indicates a component that is not available as an individual part.
 G** Indicates consult Customer Service Department for additional information.

ITEM	PART NO.	1 2 3 4 5	DESCRIPTION	QTY.
31	34311-G02		ROCKER PANEL (PASSENGER SIDE)	1
32	16705-G3		SCREW, 1/4 - 20 X 3/4" LG	14
33	14776-G1		RETAINER NUT ('J' TYPE).....	1
34	00559-G7		WASHER, 1/4"	13
35	00891-G2		LOCK NUT, 1/4 - 20	13
36				
37	34531-G01		FRONT BUMPER	1
38	00442-G2		BOLT, 5/16 - 18 X 4 1/4" LG.....	2
39	34528-G03		SPACER.....	2
40	00441-G2		BOLT, 5/16 - 18 X 3 1/4" LG.....	2
41	11027-G1		LOCK NUT, 5/16 - 18	4
42				
43	34332-G01		SEAT BACK SUPPORT	1
44	34407-G01		SPACER STRIP	1
45	16705-G3		SCREW, 1/4 - 20 X 3/4" LG	8
46	00891-G2		LOCK NUT, 1/4 - 20	8
47	33599-G01		LABEL (BED LOAD WARNING)	1
48				
49				
50				
51				
52	34318-G01		SEAT FRAME CONNECTOR (DRIVER SIDE).....	1
53	34318-G02		SEAT FRAME CONNECTOR (PASSENGER SIDE)	1
54	16705-G3		SCREW, 1/4 - 20 X 3/4" LG	16
55	00891-G2		LOCK NUT, 1/4 - 20	16
56	34314-G01		FRONT SEAT PANEL (DRIVER SIDE).....	1
57	34314-G02		FRONT SEAT PANEL (PASSENGER SIDE)	1
58	34317-G01		SEAT FRAME SIDE (DRIVER SIDE).....	1
59	34317-G02		SEAT FRAME SIDE (PASSENGER SIDE)	1
60				



When ordering parts, please specify the model and serial number of the product.

* Indicates a component that is not available as an individual part.

G** Indicates consult Customer Service Department for additional information.

ITEM	PART NO.	1 2 3 4 5	DESCRIPTION	QTY.
61	*		SERIAL NUMBER PLATE.....	1
62	10570-G9		RIVET, 1/8" X 11/32" LG.....	4
63				
64	34351-G01		ACCESS PANEL.....	1
65				
66	34352-G01		CONTROL COVER.....	1
67	16705-G3		SCREW, 1/4 - 20 X 3/4" LG	6
68	00559-G7		WASHER, 1/4"	6
69	00891-G2		LOCK NUT, 1/4 - 20	6
70	21976-G1		LABEL (FNR)	1
71				
72	34397-G01		TOP REAR SHIELD	2
73	34398-G01		REAR SHIELD (PASSENGER SIDE)	1
74	34398-G02		REAR SHIELD (DRIVER SIDE).....	1
75	34399-G01		BATTERY SHIELD (DRIVER SIDE).....	1
76	34399-G02		BATTERY SHIELD (PASSENGER SIDE).....	1
77	14601-G5		RIVET, 3/16" X 13/32" LG (STAINLESS STEEL).....	6
78				
79	34335-G01		REAR BODY PANEL	1
80	16705-G11		BOLT, 5/16 - 18 X 7/8" LG	2
81	00660-G8		WASHER, 5/16"	2
82	11098-G6		LOCK NUT, 5/16 - 18	2
83				
84	34525-G01		REAR BUMPER.....	2
85	00665-G2		BOLT, 3/8 - 16 X 1" LG (STAINLESS STEEL)	2
86	00653-G1		WASHER, 3/8" (STAINLESS STEEL).....	4
87	00891-G1		LOCK NUT, 3/8 - 16	4
88	00665-G3		BOLT, 3/8 - 16 X 2 1/2" LG (STAINLESS STEEL)	2
89	34528-G02		SPACER.....	2
90				



When ordering parts, please specify the model and serial number of the product.
 * Indicates a component that is not available as an individual part.
 G** Indicates consult Customer Service Department for additional information.

ITEM	PART NO.	1 2 3 4 5	DESCRIPTION	QTY.
91	33731-G01		'E' HITCH (INCLUDES ITEMS 92 - 95)	1
92	33730-G01		HITCH.....	1
93	30838-G1		PIN.....	1
94	30843-G1		COMPRESSION SPRING	1
95	10686-G8		SLOTTED PIN, 3/16" X 1 1/2" LG	1
96	33805-G01		BACKING PLATE.....	1
97	00665-G2		BOLT, 3/8 - 16 X 1" (STAINLESS STEEL)	2
98	00670-G1		LOCK WASHER, 3/8" (STAINLESS STEEL) (VEHICLES WITHOUT BUMPER)	6
			(VEHICLES WITH BUMPER)	4
99	00665-G4		BOLT, 3/8 - 16 X 1 1/2" LG (VEHICLES WITHOUT BUMPER).....	4
			(VEHICLES WITH BUMPER)	2
100	00653-G1		WASHER, 3/8" (STAINLESS STEEL) (VEHICLES WITHOUT BUMPER).....	4
			(VEHICLES WITH BUMPER)	2
101	11027-G5		LOCK NUT, 3/8 - 16	2
102				
103				
104	30817-G1		PINTLE HITCH.....	1
105	33805-G01		BACKING PLATE.....	1
106	00665-G2		BOLT, 3/8 - 16 X 1" (STAINLESS STEEL)	2
107	00670-G1		LOCK WASHER, 3/8" (STAINLESS STEEL) (VEHICLES WITHOUT BUMPER).....	6
			(VEHICLES WITH BUMPER)	4
108	00665-G4		BOLT, 3/8 - 16 X 1 1/2" LG (VEHICLES WITHOUT BUMPER).....	4
			(VEHICLES WITH BUMPER)	2
109	00653-G1		WASHER, 3/8" (STAINLESS STEEL) (VEHICLES WITHOUT BUMPER).....	4
			(VEHICLES WITH BUMPER)	2
110	11027-G5		LOCK NUT, 3/8 - 16	2
111	34528-G01		SPACER, 11/16" LG. (USED ON VEHICLES WITH REAR BUMPERS)	2
112	00665-G3		BOLT, 3/8 - 16 X 2 1/2" LG (STAINLESS STEEL) (USED ON VEHICLES WITH REAR BUMPERS).....	2



When ordering parts, please specify the model and serial number of the product.

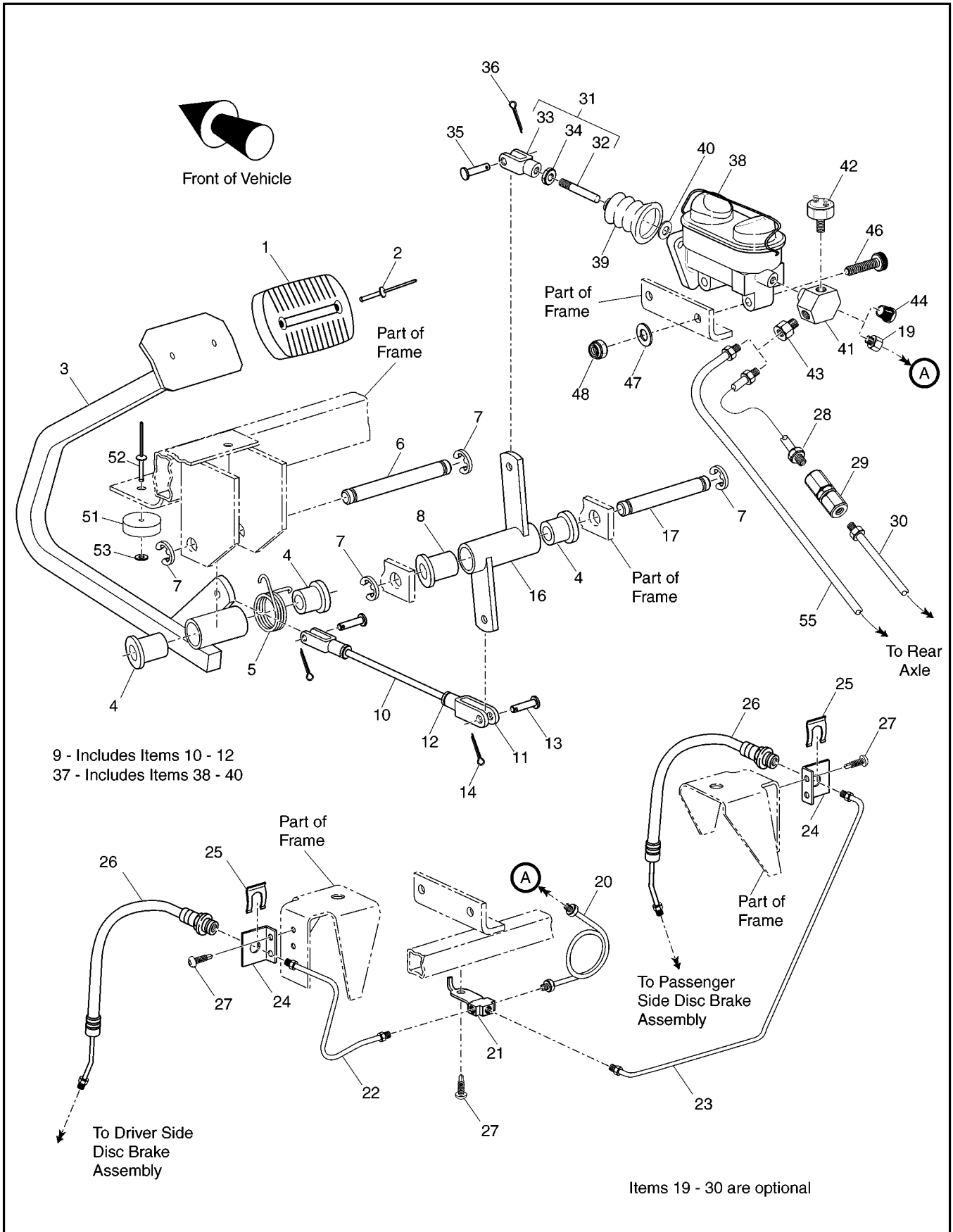
* Indicates a component that is not available as an individual part.

G** Indicates consult Customer Service Department for additional information.

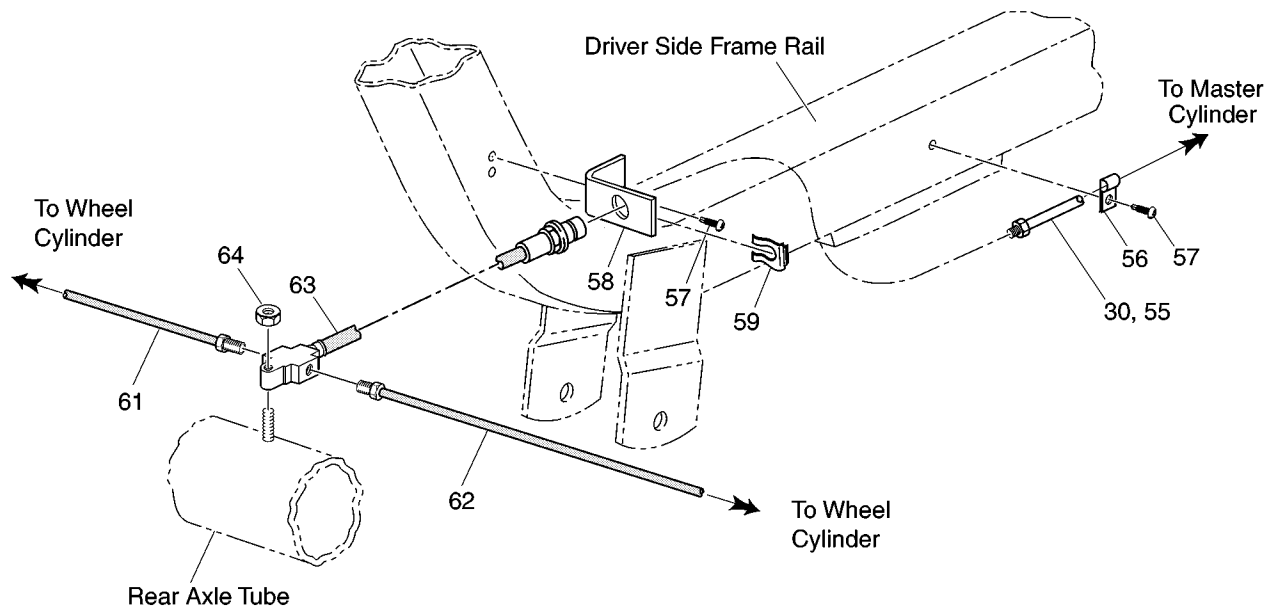
ITEM	PART NO.	1 2 3 4 5 DESCRIPTION	QTY.
113	33556-G01	FUEL INLET COVER	1
114	14601-G8	RIVET, 3/8" X 11/16" LG.....	4
115	26459-G01	LABEL (UNLEADED GASOLINE ONLY)	1

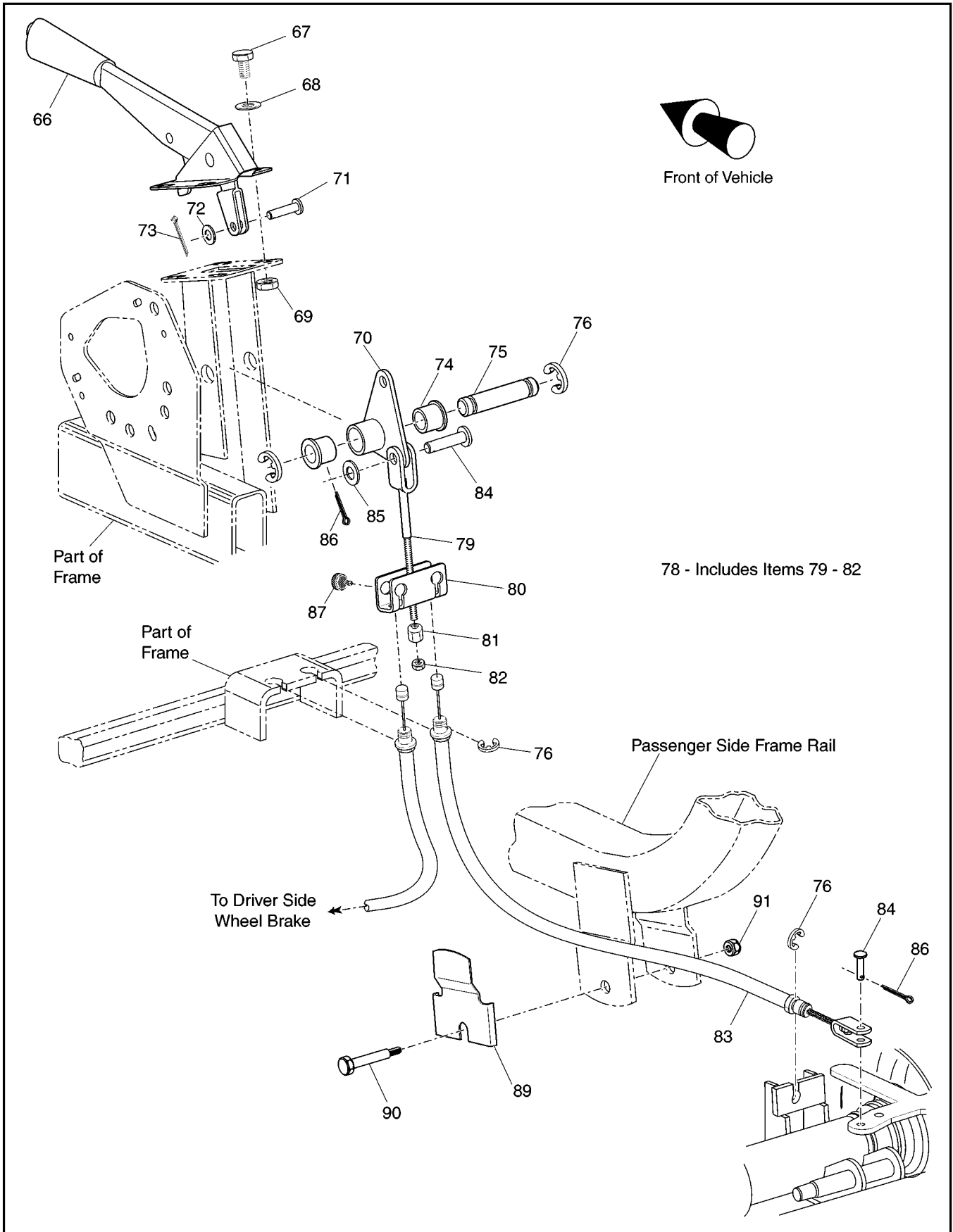


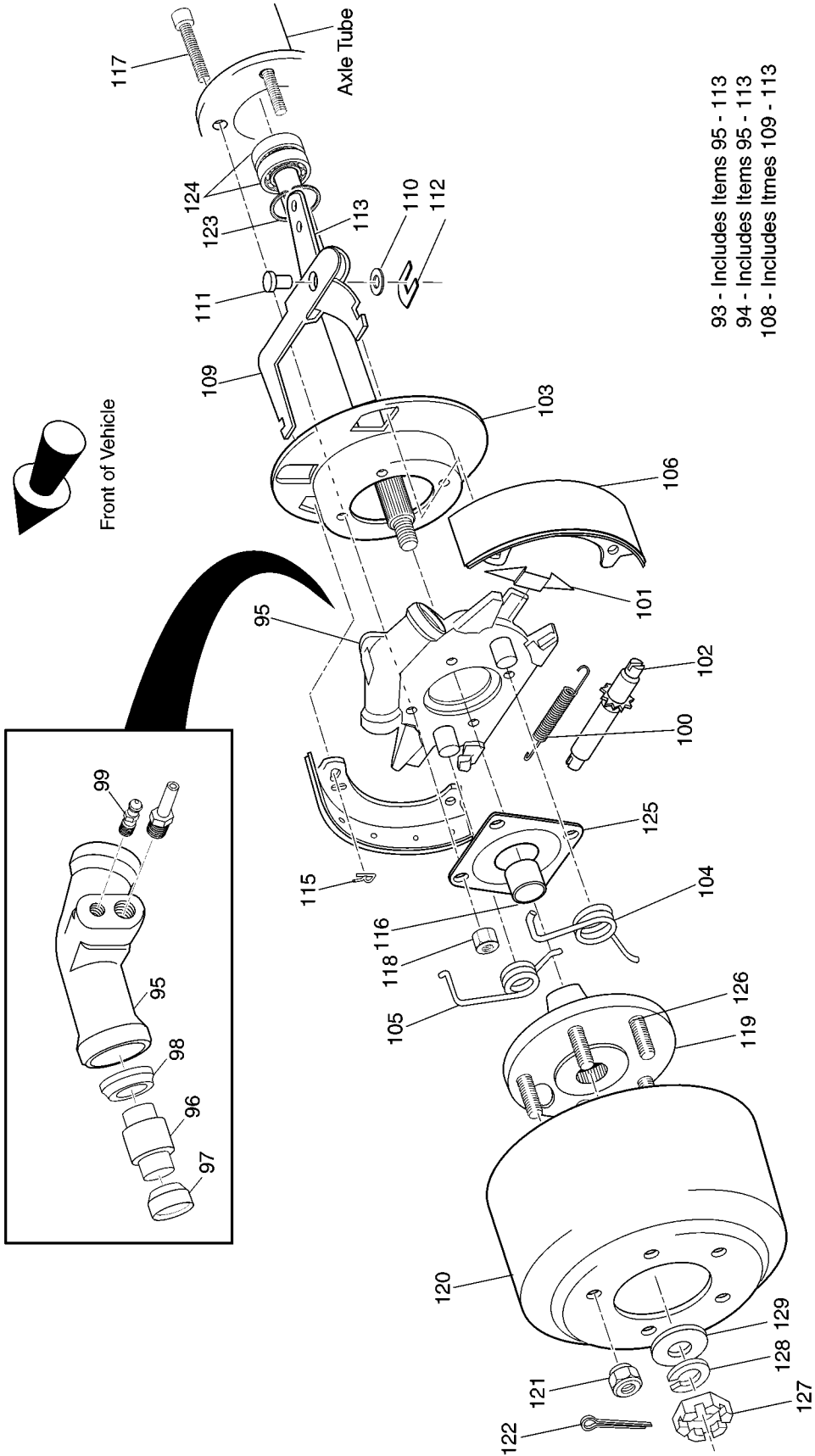




Front of Vehicle







BRAKES**Gasoline Vehicle**

When ordering parts, please specify the model and serial number of the product.

* Indicates a component that is not available as an individual part.

G** Indicates consult Customer Service Department for additional information.

ITEM	PART NO.	1 2 3 4 5	DESCRIPTION	QTY.
1	11039-G1		PEDAL PAD	1
2	14269-G1		RIVET, 3/16" X 1/2" LG.	2
3	33227-G02		BRAKE PEDAL	1
4	70581-G02		FLANGED BUSHING	2
5	13197-G1		TORSION SPRING	1
6	34158-G02		SHAFT, 3 1/2" LG	1
7	12305-G1		RETAINING RING	4
8	70581-G02		FLANGED BUSHING	2
9	34124-G01		LINKAGE ROD (INCLUDES ITEMS 10 - 12)	1
10	30297-G3		THREADED ROD	1
11	10385-G4		CLEVIS YOKE (ADJUSTABLE)	2
12	00544-G4		NUT, 5/16 - 24	2
13	10386-G3		CLEVIS PIN, 5/16" X 1" LG	2
14	10387-G3		COTTER PIN, 3/32" X 3/4" LG	2
15				
16	34157-G01		BELL CRANK	1
17	34158-G01		SHAFT, 4 7/8" LG	1
18				
19	21505-G1		NIPPLE (MALE) (FRONT BRAKES OPTION)	1
20	34984-G01		BRAKE LINE - COILED (12" COMPLETE WITH NUTS)	1
21	21103-G1		BRAKE LINE TEE	1
22	34987-G01		BRAKE LINE (12" COMPLETE WITH NUTS)	1
23	34985-G01		BRAKE LINE (20" COMPLETE WITH NUTS)	1
24	11332-G2		TUBE FASTENER BRACKET	2
25	11456-G1		CLIP	2
26	34989-G01		FLEXIBLE HYDRAULIC HOSE	2
27	00106-G6		SCREW, #12 - 24 X 3/4" LG	5
28	34986-G01		BRAKE LINE (8" COMPLETE WITH NUTS)	1
29	34988-G01		PROPORTIONING VALVE	1
30	34982-G01		REAR BRAKE LINE WITH NUTS (50" COMPLETE WITH NUTS)	1

When ordering parts, please specify the model and serial number of the product.
 * Indicates a component that is not available as an individual part.
 G** Indicates consult Customer Service Department for additional information.

ITEM	PART NO.	1	2	3	4	5	DESCRIPTION	QTY.
31	30298-G2						PUSH ROD ASSEMBLY (INCLUDES ITEMS 32 - 34)	1
32	30293-G2						PUSH ROD, 3 1/8" LG.....	1
33	21508-G1						CLEVIS YOKE.....	2
34	00544-G6						NUT, 3/8 - 24.....	2
35	14443-G3						CLEVIS PIN, 5/16" X 1 1/8" LG.....	1
36	10387-G3						COTTER PIN, 3/32" X 3/4" LG.....	1
37	70643-G02						MASTER CYLINDER KIT (INCLUDES ITEMS 38 - 40).....	1
38	*						MASTER CYLINDER.....	1
39	32768-G1						MASTER CYLINDER BOOT	1
40	00675-G1						WASHER, 3/8"	1
41	26469-G01						BRANCH TEE (MALE).....	1
42	21510-G1						BRAKE LIGHT SWITCH	1
43	33724-G01						INVERTED FLARE FITTING	1
44	21503-G1						PLUG (STANDARD BRAKE SYSTEM).....	1
45	22283-G1						TEFLON TAPE, 1/2" WIDE (NOT ILLUSTRATED)	A/R
46	00428-G4						BOLT, 3/8 - 16 X 2 1/2" LG.....	2
47	00560-G1						WASHER, 3/8"	2
48	11098-G5						LOCK NUT, 3/8 - 16	2
49	21504-G1						BRAKE FLUID (DOT 3) (NOT ILLUSTRATED).....	A/R
50								
51	13728-G1						RUBBER BUMPER.....	1
52	14601-G1						RIVET, 5/32" X 13/32" LG (ALUMINUM).....	1
53	00559-G5						WASHER, #10.....	1
54								
55	21104-G12						BRAKE LINE (55" COMPLETE WITH NUTS).....	1
56	11845-G5						'J' CLIP	1
57	00100-G6						SCREW, #10 - 16 X 3/4" LG	3
58	11332-G2						TUBE FASTENER BRACKET.....	1
59	11456-G1						CLIP	1
60								



BRAKES**Gasoline Vehicle**

When ordering parts, please specify the model and serial number of the product.

* Indicates a component that is not available as an individual part.

G** Indicates consult Customer Service Department for additional information.

ITEM	PART NO.	1 2 3 4 5	DESCRIPTION	QTY.
61	34702-G01		REAR BRAKE LINE	1
62	34542-G01		REAR BRAKE LINE	1
63	33534-G01		HYDRAULIC HOSE, 10 1/2" LG	1
64	11098-G6		LOCK NUT, 5/16 - 18	1
65				
66	34380-G01		PARKING BRAKE	1
67	00276-G6		BOLT, 5/16 - 24 X 3/4" LG	4
68	00559-G8		WASHER, 5/16"	4
69	11098-G9		LOCK NUT, 5/16 - 24	4
70	34384-G01		BELLCRANK	1
71	14443-G2		CLEVIS PIN, 5/16" X 3/4" LG	1
72	00559-G8		WASHER, 5/16"	1
73	10387-G3		COTTER PIN, 3/32" X 3/4" LG	1
74	70581-G02		FLANGED BUSHING	2
75	34158-G03		SHAFT, 2 5/8" LG	1
76	12305-G1		RETAINING RING	6
77				
78	34518-G01		PARKING BRAKE LINK (INCLUDES ITEMS 79 - 82).....	1
79	34389-G01		CLEVIS LINK	1
80	28082-G01		EQUALIZER BRACKET.....	1
81	00963-G01		SPHERICAL NUT, 5/16 - 24	1
82	00544-G4		NUT, 5/16 - 24.....	1
83	34034-G01		BRAKE CABLE	2
84	10386-G3		CLEVIS PIN, 5/16" X 1" LG.....	2
85	00559-G8		WASHER, 5/16"	1
86	10387-G3		COTTER PIN, 3/32" X 3/4" LG.....	2
87	28083-G01		BRAKE COMPENSATOR BUMPER.....	2
88				
89	34031-G01		CABLE RETAINER BRACKET.....	2
90	XXXXX-XX		SHOULDER BOLT (SEE REAR SUSPENSION SECTION FOR P/N).....	2

When ordering parts, please specify the model and serial number of the product.
 * Indicates a component that is not available as an individual part.
 G** Indicates consult Customer Service Department for additional information.

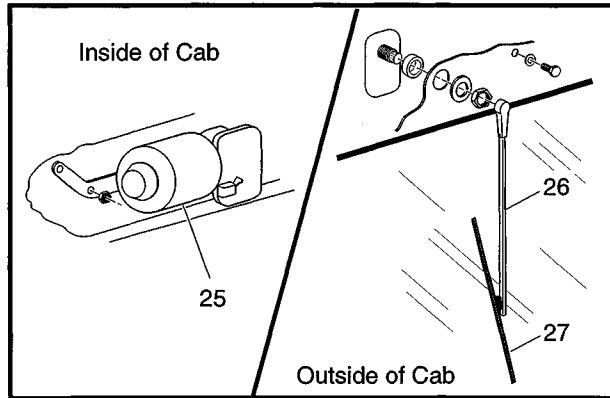
ITEM	PART NO.	1	2	3	4	5	DESCRIPTION	QTY.
91	XXXXX-XX						LOCK NUT, 3/8 - 16 (SEE REAR SUSPENSION SECTION FOR P/N)	2
92								
93	33725-G02						BRAKE ASSEMBLY (DRIVER SIDE) (INCLUDES ITEMS 95 - 113)	1
94	33725-G01						BRAKE ASSEMBLY (PASSENGER SIDE) (INCLUDES ITEMS 95 - 113)	1
95	21086-G1						TORQUE SPIDER	1
96	21087-G1						WHEEL CYLINDER PISTON	2
97	21088-G1						HYDRAULIC CUP	2
98	21089-G1						SEAL.....	2
99	21094-G1						BLEEDER VALVE.....	1
100	13466-G1						LOWER SPRING.....	1
101	21096-G1						SHOE HOLD DOWN	1
102	21097-G1						ADJUSTER.....	1
103	21098-G1						DUST SHIELD	1
104	70669-G01						SPRING (BLUE)	1
105	70670-G01						SPRING (YELLOW).....	1
106	33726-G01						BRAKE SHOE	1
107								
108	*						PARKING BRAKE LEVER ASSEMBLY (INCLUDES ITEMS 109 - 113)	1
109	13460-G1						CURVED LEVER	1
110	13463-G1						SPRING WASHER.....	1
111	13462-G1						CLEVIS PIN	1
112	13464-G1						CLEVIS PIN RETAINER.....	1
113	22604-G1						STRAIGHT LEVER	2
114								
115	13468-G1						CLIP	2
116	33666-G01						COLLAR.....	1
117	33662-G01						STUD, 5/16 - 24	4
118	21562-G1						NUT, 5/16 - 24.....	4
119	33661-G01						FLANGE.....	1
120	17953-G2						BRAKE DRUM	2



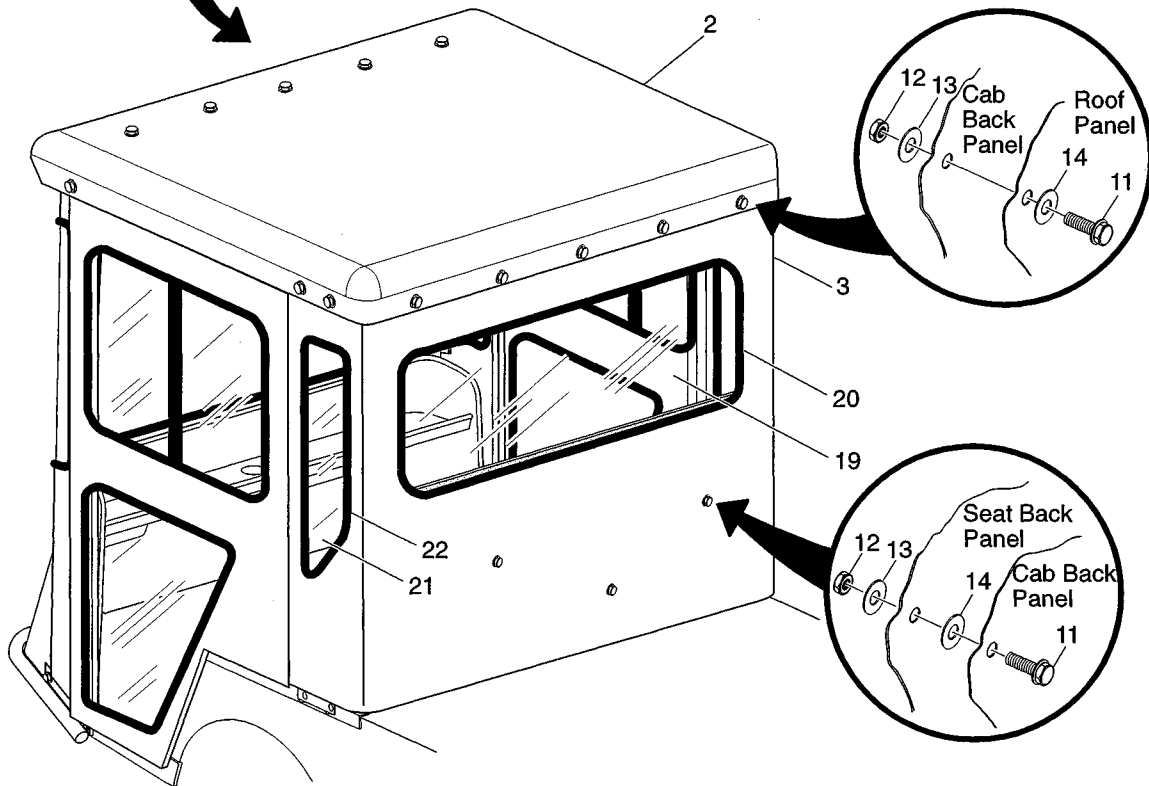
When ordering parts, please specify the model and serial number of the product.
 * Indicates a component that is not available as an individual part.
 G** Indicates consult Customer Service Department for additional information.

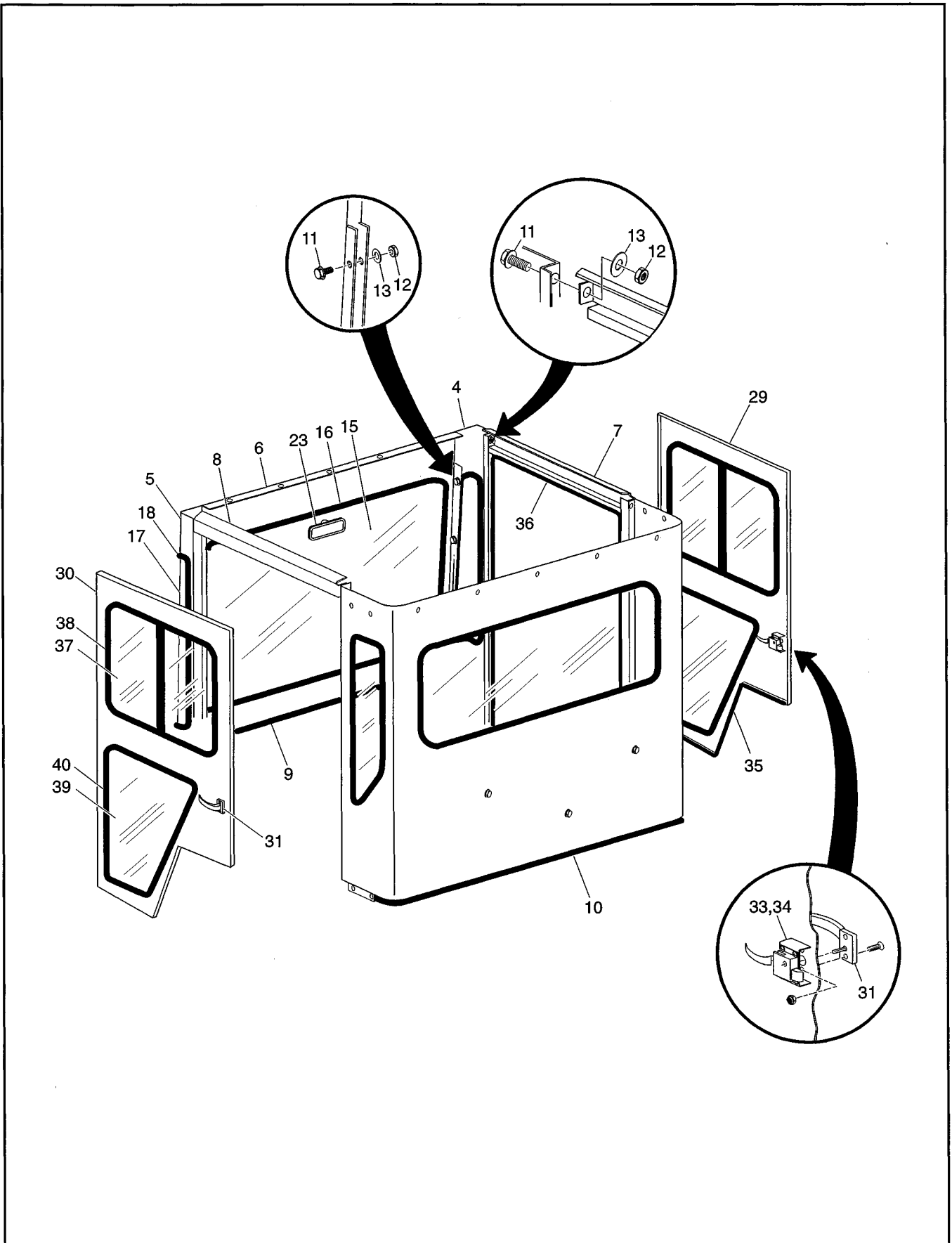
ITEM	PART NO.	1 2 3 4 5	DESCRIPTION	QTY.
121	XXXXX-XX		LUG NUT, 1/2 - 20 (SEE WHEELS AND TIRES SECTION FOR P/N)	5
122				
123	XXXXX-XX		RETAINING RING (SEE REAR AXLE SECTION FOR P/N).....	1
124	XXXXX-XX		BEARING (SEE REAR AXLE SECTION FOR P/N).....	2
125	21559-G1		WIPER SEAL	1
126	*		WHEEL BOLT, 1/2 - 20.....	5
127	00518-G8		SLOTTED NUT, 3/4 - 16.....	1
128	00566-G6		LOCK WASHER, 3/4".....	1
129	33665-G01		WASHER, 3/4"	1
130	28066-G02		MASTER CYLINDER REPAIR KIT (NOT SHOWN).....	AR



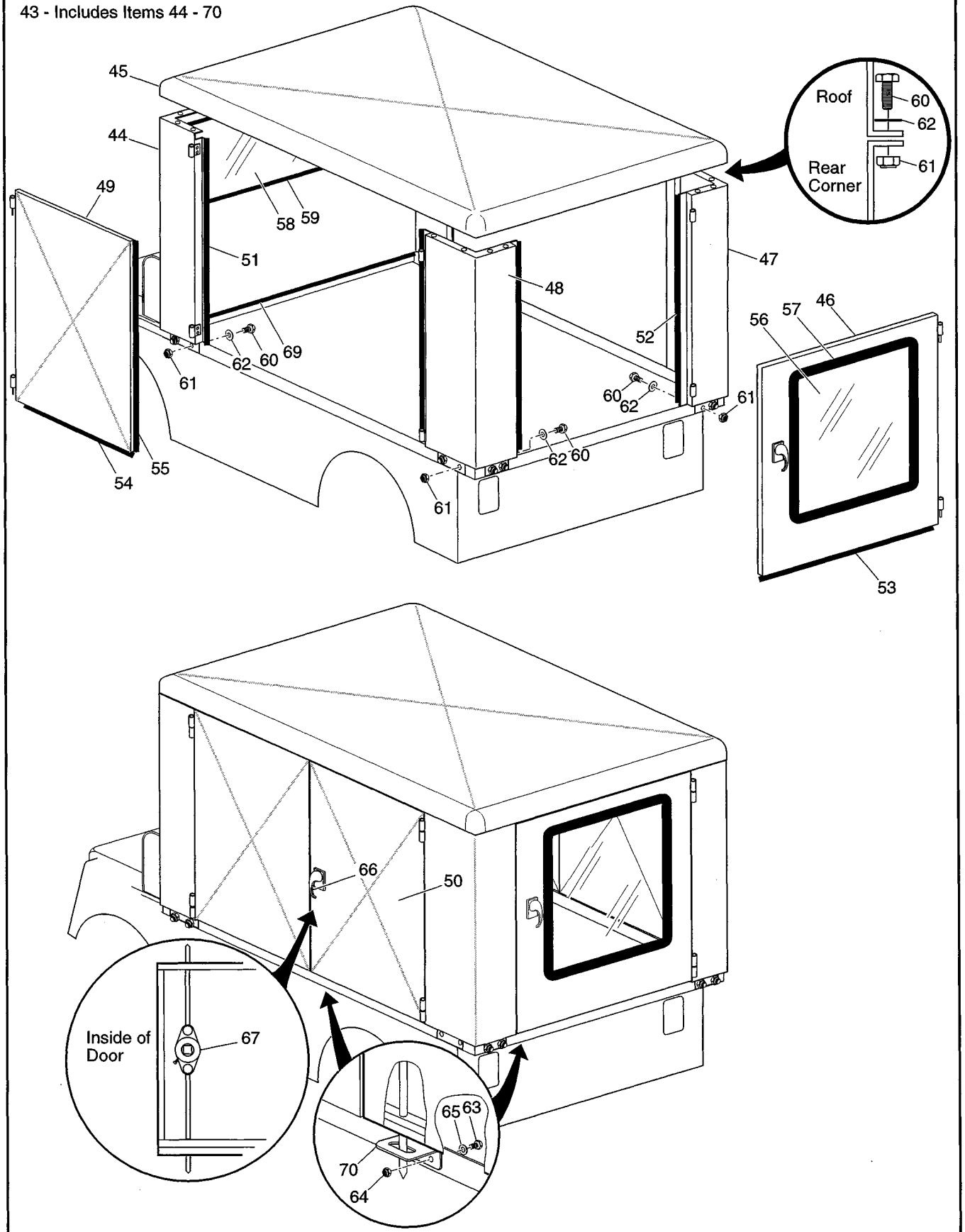


1 - Includes Items 2 - 40
41 - Includes Items 29 - 40





43 - Includes Items 44 - 70



Replacement parts may be obtained from Curtis Tractor Cab Inc., 111 Higgins Street, Worcester, MA 01606. Telephone (508) 853-2200, or FAX (508) 854-3377.

ITEM	PART NO.	1 2 3 4 5	DESCRIPTION	QTY.
1	34648-G01		CAB KIT (INCLUDES ITEMS 2 - 40)	1
2	34648-G0*A		ROOF PANEL	1
3	34648-G0*B		REAR PANEL	1
4	34648-G0*C		FRONT CORNER PANEL (PASSENGER SIDE)	1
5	34648-G0*D		FRONT CORNER PANEL (DRIVER SIDE)	1
6	34648-G0*E		WINDSHIELD PANEL	1
7	34648-G0*H		DOOR RECEIVER (PASSENGER SIDE)	1
8	34648-G0*I		DOOR RECEIVER (DRIVER SIDE)	1
9	1P004A		FRONT PANEL COWL SEAL GASKET (74" LG)	1
10	1P004D		REAR PANEL TRIM (46" LG)	2
11	6E03A		BOLT, 3/8 - 16 X 7/8" LG	32
12	6E03B		LOCK NUT, 3/8 - 16	32
13	6E03C		WASHER, 3/8"	32
14	6E03D		NYLON WASHER, 3/8"	20
15	6E03E		FRONT PANEL WINDOW	1
16	6E03F		FRONT PANEL MOUNTING GASKET	1
17	6E03G		FRONT CORNER PANEL WINDOW	2
18	6E03H		FRONT CORNER PANEL WINDOW GASKET	2
19	6E03I		REAR PANEL WINDOW	1
20	6E03J		REAR PANEL MOUNTING GASKET	1
21	6E03K		REAR PANEL SIDE WINDOW	2
22	6E03L		REAR PANEL SIDE WINDOW MOUNTING GASKET	2
23	9PIRV		INTERIOR REAR VIEW MIRROR	1
24	9P115A		DOOR STRIKER PLATE KIT (NOT ILLUSTRATED)	2
25	9P85AB		WINDSHIELD WIPER MOTOR	1
26	9WPA		WINDSHIELD WIPER ARM	1
27	9PWB		WINDSHIELD WIPER BLADE	1
28	9PWWEK		WINDSHIELD WIPER ELECTRICAL HARNESS	1
29	34648-G0*F		DOOR (PASSENGER SIDE)	1
30	34648-G0*G		DOOR (DRIVER SIDE)	1



Replacement parts may be obtained from Curtis Tractor Cab Inc., 111 Higgins Street, Worcester, MA 01606. Telephone (508) 853-2200, or FAX (508) 854-3377.

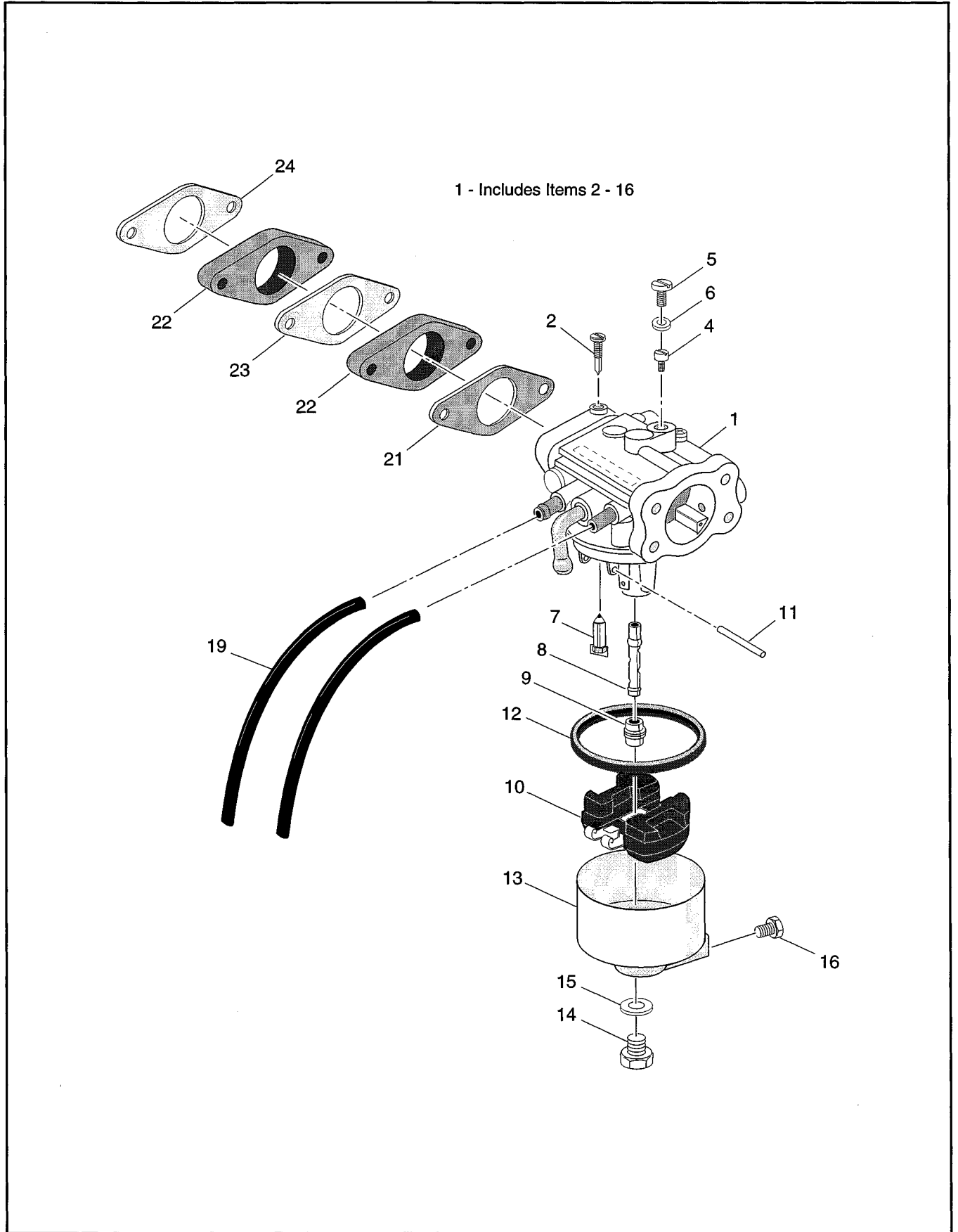
ITEM	PART NO.	1	2	3	4	5	DESCRIPTION	QTY.
31	9DHOS1						OUTSIDE DOOR HANDLE (KEY LOCKING).....	2
32	9P001A						REPLACEMENT DOOR HINGE KIT (NOT ILLUSTRATED).....	1
33	9DHSL						INSIDE DOOR LATCH (DRIVER SIDE).....	1
34	9DHSLR						INSIDE DOOR LATCH (PASSENGER SIDE).....	1
35	1P004B						LOWER DOOR SEAL GASKET (36" LG).....	2
36	1P004C						DOOR SEAL GASKET (123" LG).....	2
37	6E03M						UPPER DOOR SLIDING WINDOW.....	2
38	6E03N						UPPER DOOR SIDE WINDOW MOUNTING GASKET.....	2
39	6E03O						LOWER DOOR WINDOW.....	2
40	6E03P						LOWER DOOR WINDOW MOUNTING GASKET.....	2
41	34648G02						CAB KIT WITHOUT DOORS (INCLUDES ITEMS 2 - 28).....	1
42	34650-G01						DOOR KIT (INCLUDES ITEMS 29 - 40).....	1
43	34649-G01						VAN BOX KIT (INCLUDES ITEMS 44 - 70).....	1
44	34649-G0A						FRONT PANEL.....	1
45	34649-G0B						ROOF.....	1
46	34649-G0C						REAR DOOR.....	1
47	34649-G0D						REAR CORNER LEG (PASSENGER SIDE).....	1
48	34649-G0E						REAR CORNER LEG (DRIVER SIDE).....	1
49	34649-G0F						SIDE DOOR PANEL (LEFT).....	2
50	34649-G0G						SIDE DOOR PANEL (RIGHT).....	2
51	1P003A						SIDE DOOR SEAL GASKET (140" LG).....	2
52	1P003B						REAR DOOR SEAL GASKET (118" LG).....	1
53	1P003C						LOWER REAR DOOR SEAL GASKET (35" LG).....	1
54	1P003D						LOWER SIDE DOOR SEAL GASKET (29" LG).....	4
55	1P003E						VERTICAL GASKET SEAL (SIDE DOOR) (40" LG).....	2
56	1P003F						REAR DOOR WINDOW.....	1
57	1P003G						REAR DOOR WINDOW MOUNTING GASKET.....	1
58	1P003H						FRONT PANEL WINDOW.....	1
59	1P003I						FRONT PANEL WINDOW GASKET.....	1
60	6E02A						BOLT, 3/8 - 16 X 7/8" LG.....	30



Replacement parts may be obtained from Curtis Tractor Cab Inc., 111 Higgins Street, Worcester, MA 01606. Telephone (508) 853-2200, or FAX (508) 854-3377.

ITEM	PART NO.	1	2	3	4	5	DESCRIPTION	QTY.
61	6E02B						LOCK NUT, 3/8 - 16.....	30
62	6E02C						WASHER, 3/8".....	30
63	6E02D						BOLT, 1/4 - 20 X 1/2" LG.....	6
64	6E02E						LOCK NUT, 1/4 - 20.....	6
65	6E02F						WASHER, 1/4".....	6
66	9DHOS1						OUTSIDE DOOR HANDLE (KEY LOCKING).....	3
67	9DILM1						INSIDE LATCH MECHANISM.....	3
68	9P001A						REPLACEMENT DOOR HINGE KIT (NOT ILLUSTRATED).....	5
69	9PTLR						LOWER FRONT PANEL GASKET SEAL.....	1
70	9P1A1						DOOR LOCKING ROD GUIDES.....	3





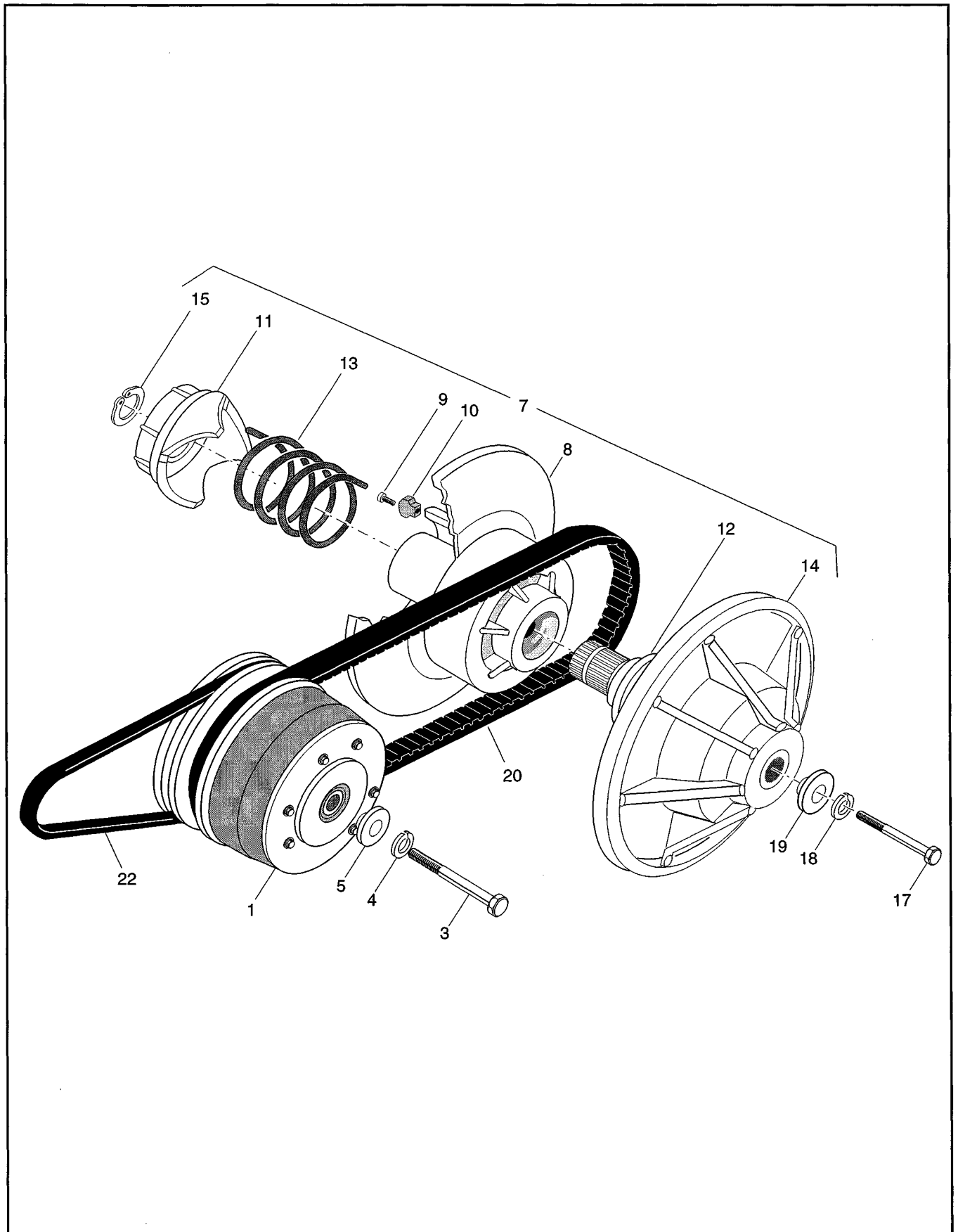
When ordering parts, please specify the model and serial number of the product.

* Indicates a component that is not available as an individual part.

G** Indicates consult Customer Service Department for additional information.

ITEM	PART NO.	1 2 3 4 5	DESCRIPTION	QTY.
1	72558-G01		CARBURETOR ASSEMBLY (INCLUDES ITEMS 2 - 16)	1
2	*		PILOT SCREW	1
3				
4	72307-G01		PILOT JET, #46P	1
5	26841-G01		PLUG	1
6	26731-G01		BOWL SCREEN GASKET	1
7	26647-G01		NEEDLE VALVE	1
8	26837-G01		MAIN NOZZLE	1
9	26646-G05		MAIN JET, #94	1
10	26648-G01		FLOAT	1
11	26840-G01		FLOAT PIN	1
12	26843-G01		FLOAT BOWL GASKET	1
13	26844-G01		FLOAT CHAMBER	1
14	26839-G01		BOWL SCREW	1
15	26730-G01		BOWL GASKET	1
16	*		DRAIN SCREW	1
17				
18				
19	26650-G01		VENT TUBE	2
20				
21	26726-G01		CARBURETOR MOUNT GASKET	1
22	26637-G01		CARBURETOR INSULATOR	2
23	72306-G01		GASKET	1
24	26725-G01		ENGINE GASKET	1





When ordering parts, please specify the model and serial number of the product.

* Indicates a component that is not available as an individual part.

G** Indicates consult Customer Service Department for additional information.

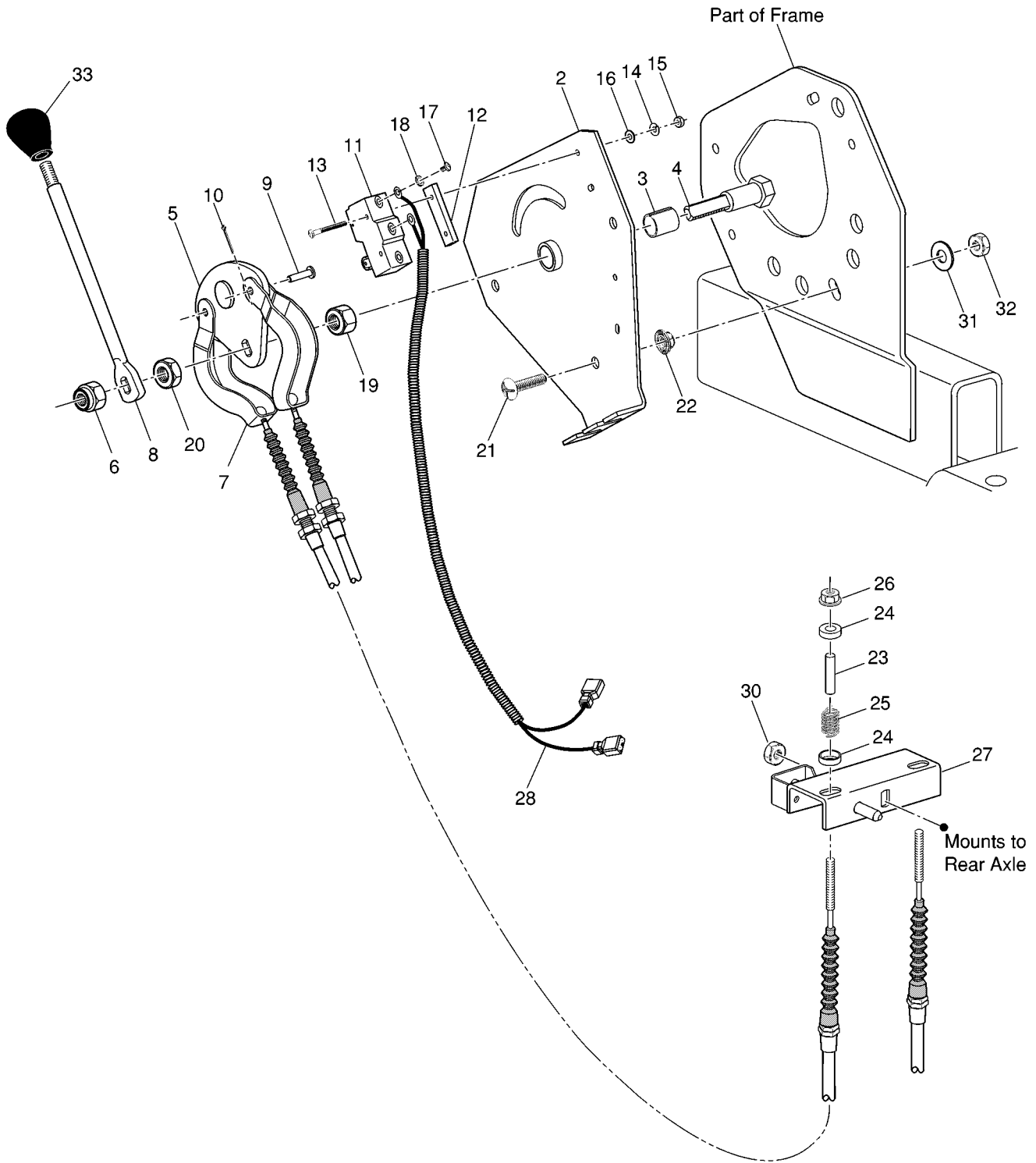
ITEM	PART NO.	1 2 3 4 5	DESCRIPTION	QTY.
1	26952-G01		DRIVE CLUTCH	1
2				
3	00473-G9		BOLT, 7/16 - 20 X 6 1/2" LG.....	1
4	00566-G2		LOCK WASHER, 7/16"	1
5	25757-G1		PILOT WASHER	1
6				
7	26301-G02		DRIVEN CLUTCH ASSEMBLY (INCLUDES ITEMS 8 - 15)	1
8	25626-G02		MOVABLE CAM SHEAVE (INCLUDES ITEMS 9 -10)	1
9	00979-G01		SCREW, #10 - 24 X 7/8" LG	3
10	26479-G01		RAMP BUTTON	3
11	26302-G01		FIXED CAM	1
12	24600-G1		SPACER	1
13	26304-G01		COMPRESSION SPRING	1
14	25643-G03		FIXED POST SHEAVE	1
15	27270-G01		HEAVY DUTY RETAINING RING.....	1
16				
17	00441-G8		BOLT, 5/16 - 18 X 4" LG.....	1
18	00565-G8		LOCK WASHER, 5/16"	4
19	25756-G1		RETAINING WASHER	1
20	72054-G01		DRIVE BELT	1
21				
22	XXXXX-XX		STARTER/GENERATOR BELT (SEE SECTION S - STARTER/GENERATOR FOR PART NUMBER.....	1



DIRECTION SELECTOR

Gasoline Vehicle

1 - Includes Items 2 - 28



When ordering parts, please specify the model and serial number of the product.

* Indicates a component that is not available as an individual part.

G** Indicates consult Customer Service Department for additional information.

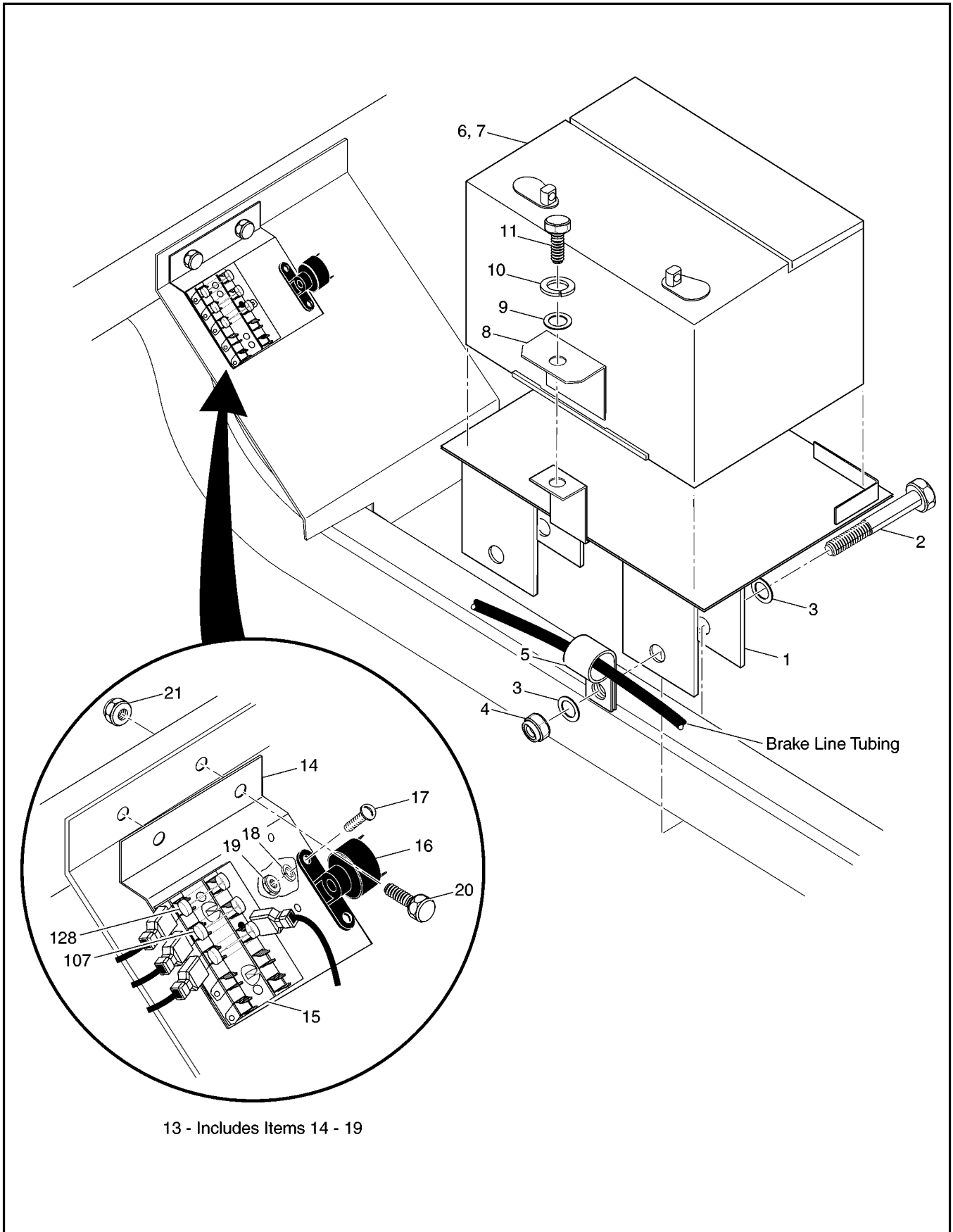
ITEM	PART NO.	1 2 3 4 5	DESCRIPTION	QTY.
1	34173-G01		DIRECTION SELECTOR ASSEMBLY (INCLUDES ITEMS 2 - 28)	1
2	34172-G01		BRACKET	1
3	25664-G1		BUSHING	1
4	34170-G01		SHAFT	1
5	25745-G01		DIRECTION SELECTOR CAM.....	1
6	14390-G1		LOCK NUT, 3/8 - 24.....	1
7	72400-G01		SHIFTER CONTROL CABLE	1
8	34168-G01		SHIFTER ARM.....	1
9	23176-G1		CLEVIS PIN, 5/16" X 1/2" LG	2
10	10387-G8		COTTER PIN, 1/16" X 3/4" LG	2
11	10606-G6		MICRO SWITCH.....	1
12	27151-G01		SPACER	1
13	00645-G2		SCREW, #6 - 32 X 1 1/4" LG	2
14	00565-G3		LOCK WASHER, #6	2
15	00525-G5		NUT, #6 - 32.....	2
16	00559-G3		WASHER, #6	2
17	13514-G1		SCREW, #6 - 32 X 1/4" LG (BRASS)	2
18	00567-G3		LOCK WASHER, #6	2
19	00532-G6		NUT, 3/8 - 24.....	1
20	00544-G6		NUT, 3/8 - 24.....	1
21	16705-G1		SCREW, 1/4 - 20 X 1" LG	3
22	11027-G2		LOCK NUT, 1/4 - 20.....	3
23	23726-G5		SPACER	2
24	25727-G01		CUP WASHER	4
25	27764-G01		SPRING	2
26	11098-G7		LOCK NUT, #10 - 24.....	2
27	72099-G01		SHIFTER CONTROL PIVOT	1
28	34159-G01		WIRING HARNESS.....	1
29				
30	26830-G01		SHIFTER LEVER NUT, M8 X 1.25MM	1

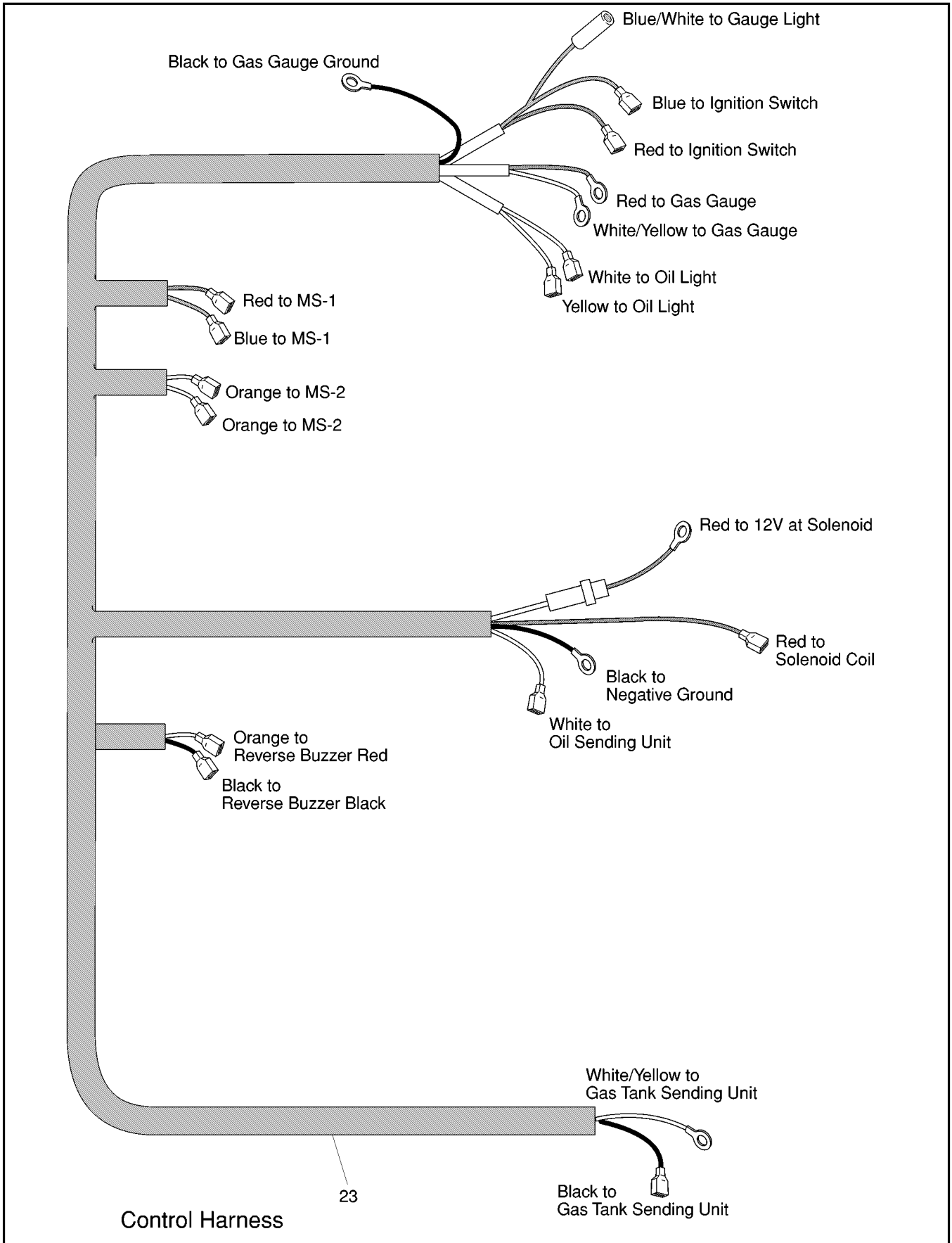


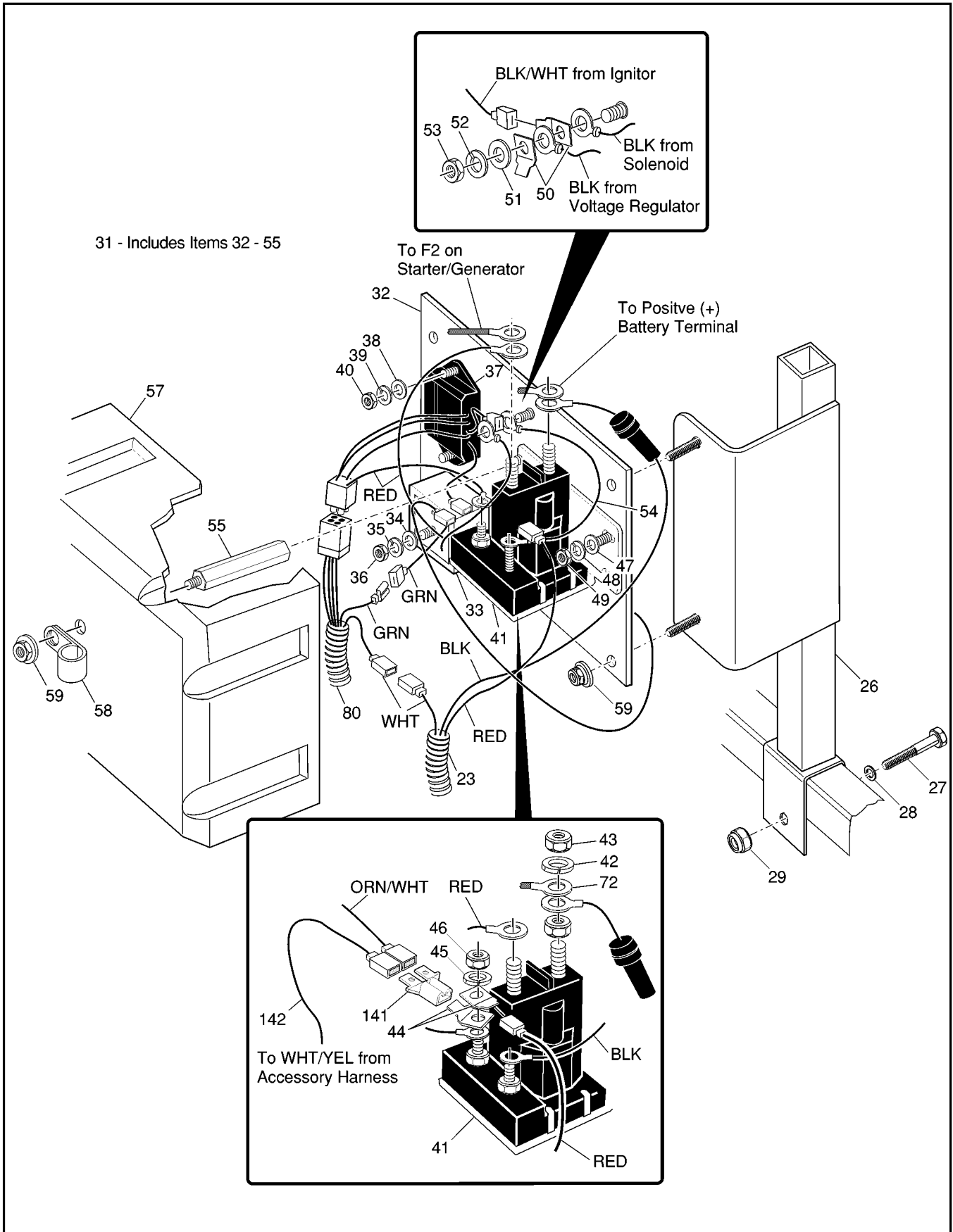
When ordering parts, please specify the model and serial number of the product.
 * Indicates a component that is not available as an individual part.
 G** Indicates consult Customer Service Department for additional information.

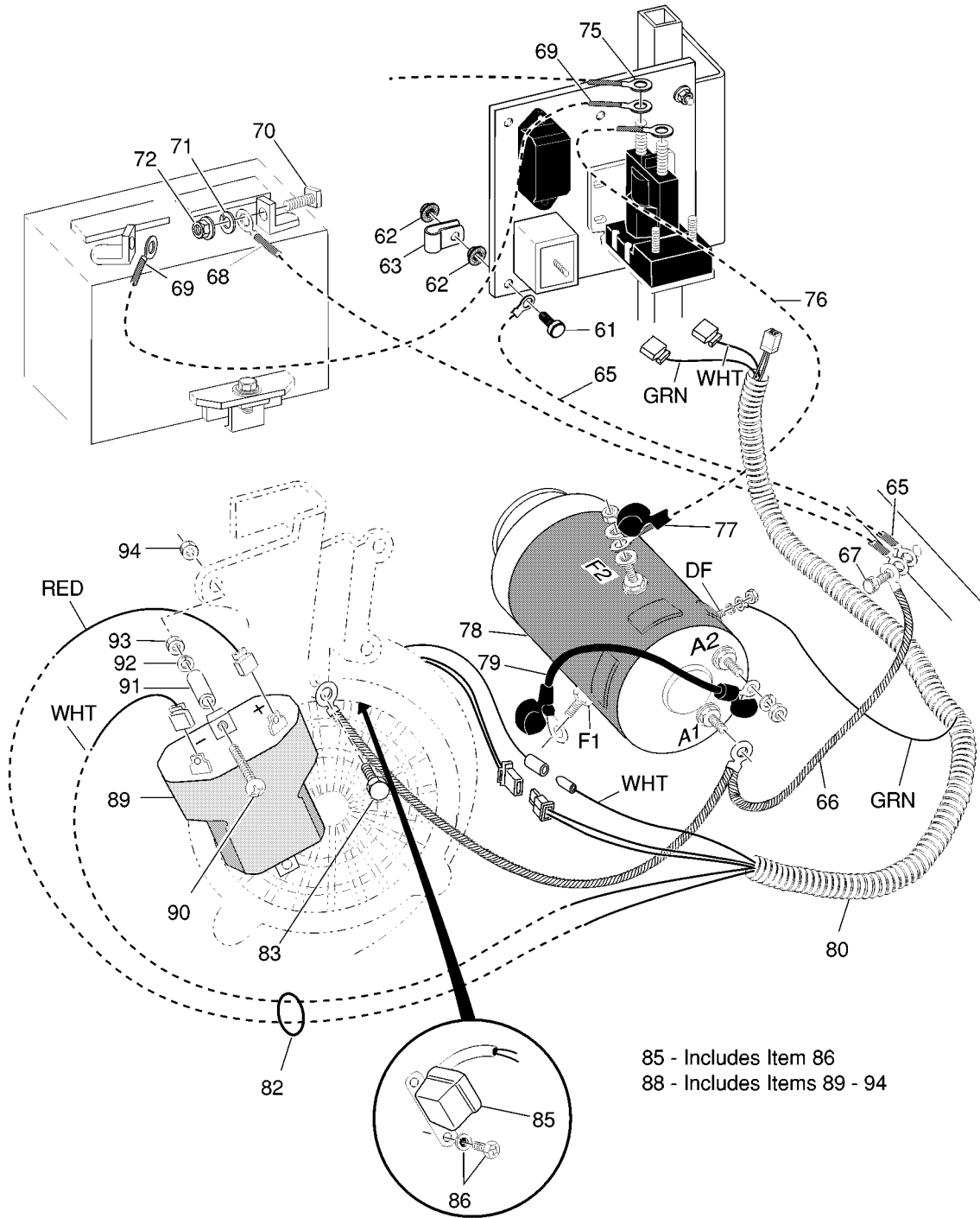
ITEM	PART NO.	1 2 3 4 5 DESCRIPTION	QTY.
31	00559-G7	WASHER, 1/4"	3
32	14390-G4	LOCK NUT, 1/4 - 20	3
33	11989-G1	SHIFTER ARM KNOB	1

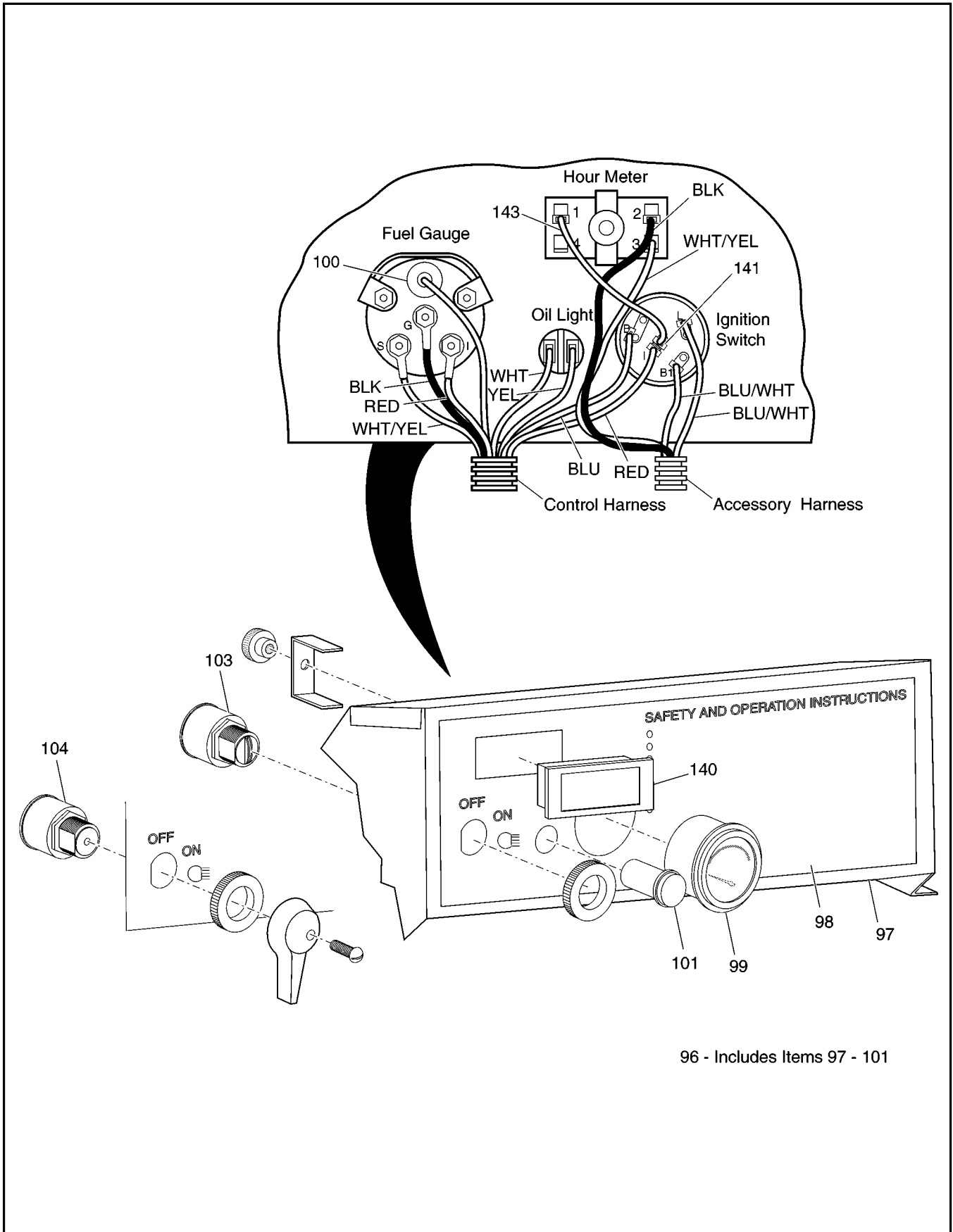


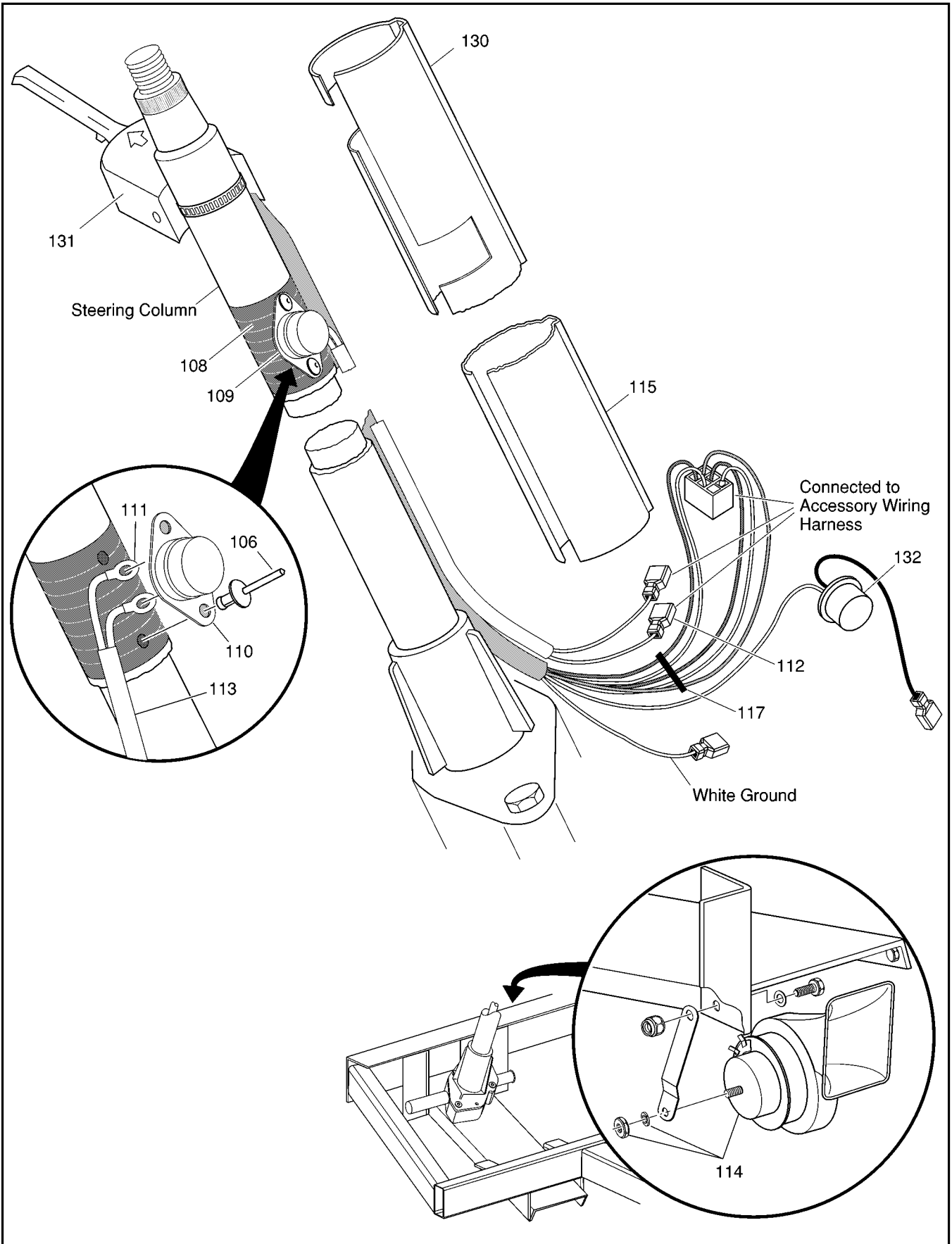


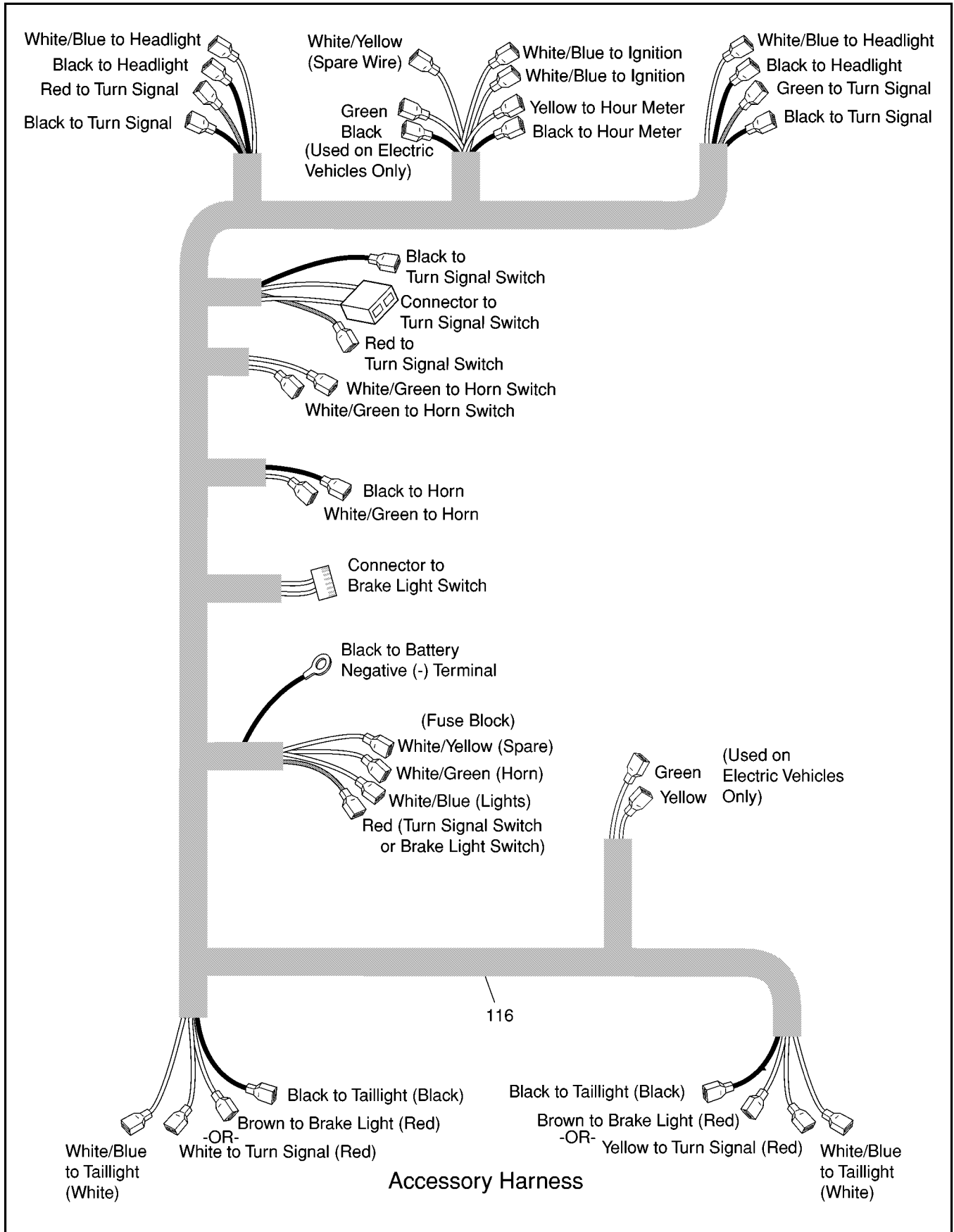




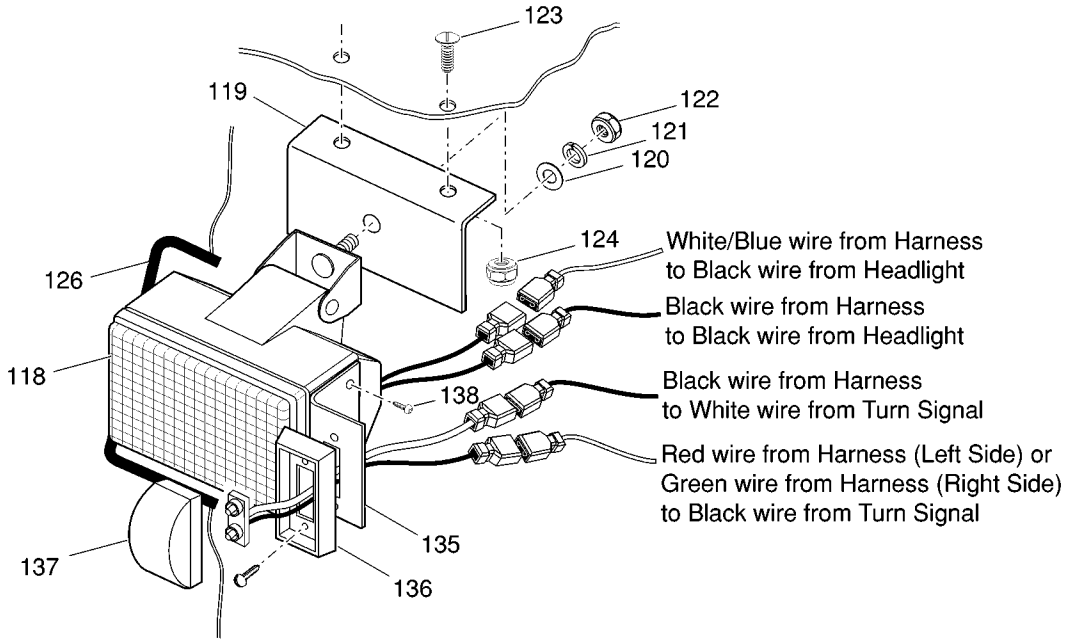




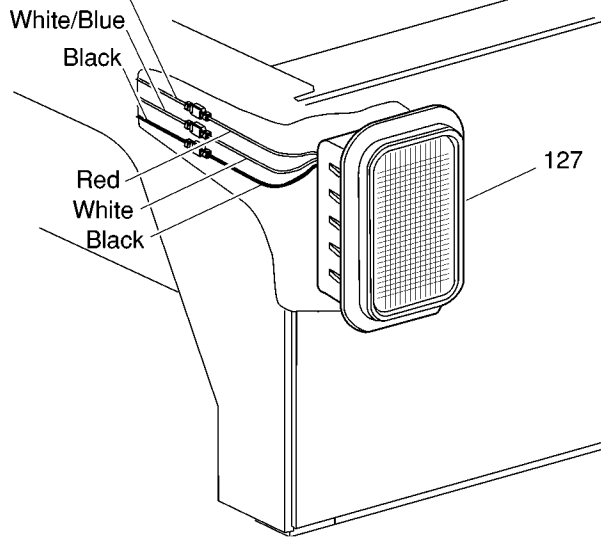




133 - Includes Items 118 - 124 and 135 - 138
134 - Includes Items 118 - 124 and 135 - 138



Brown (without Turn Signal)
White (with Turn Signal) Left
Yellow (with Turn Signal) Right



When ordering parts, please specify the model and serial number of the product.
 * Indicates a component that is not available as an individual part.
 G** Indicates consult Customer Service Department for additional information.

ITEM	PART NO.	1 2 3 4 5	DESCRIPTION	QTY.
1	34037-G01		BATTERY TRAY.....	1
2	00428-G8		BOLT, 3/8 - 16 X 3" LG.....	2
3	00560-G1		WASHER, 3/8"	4
4	11098-G5		LOCK NUT, 3/8 - 16	2
5	34750-G01		'J' CLIP.....	1
6	24775-G1		12 VOLT BATTERY (STANDARD).....	1
7	24775-G2		12 VOLT HD BATTERY (HEAVY DUTY) (OPTIONAL).....	1
8	72101-G01		BATTERY HOLD DOWN.....	1
9	00561-G8		WASHER, 5/16"	1
10	00565-G8		LOCK WASHER, 5/16"	1
11	00438-G6		BOLT, 5/16 - 18 X 3/4" LG.....	1
12				
13	70574-G02		FUSE BLOCK ASSEMBLY (INCLUDES ITEMS 14 - 19).....	1
14	34221-G01		MOUNTING PLATE	1
15	22674-G1		FUSE BLOCK.....	1
16	73290-G02		BUZZER, CONTINUOUS TONE	1
17	00138-G4		SCREW, #6 - 32 X 1/2 LG	4
18	00565-G3		LOCK WASHER, #6	4
19	00525-G5		NUT, #6 - 32.....	4
20	00414-G5		BOLT, 1/4 - 20 X 5/8" LG.....	2
21	00891-G2		LOCK NUT, 1/4 - 20	2
22				
23	34464-G01		WIRE HARNESS (CONTROL)	1
24	31539-G1		WIRE TIE (NOT ILLUSTRATED)	10
25				
26	34324-G01		STANCHION	1
27	00428-G8		BOLT, 3/8 - 16 X 3" LG.....	1
28	00560-G1		WASHER, 3/8"	1
29	11098-G5		LOCK NUT, 3/8 - 16	1
30				



When ordering parts, please specify the model and serial number of the product.

* Indicates a component that is not available as an individual part.

G** Indicates consult Customer Service Department for additional information.

ITEM	PART NO.	1 2 3 4 5	DESCRIPTION	QTY.
31	27740-G03		ELECTRICAL PLATE ASSEMBLY (INCLUDES ITEMS 32 - 55)	1
32	*		ELECTRONICS PLATE	1
33	27739-G01		VOLTAGE REGULATOR	1
34	00650-G7		WASHER, 1/4"	1
35	00565-G7		LOCK WASHER, 1/4"	1
36	00532-G1		NUT, 1/4 - 20.....	1
37	27746-G01		IGNITOR	1
38	00650-G7		WASHER, 1/4"	2
39	00565-G7		LOCK WASHER, 1/4"	2
40	00532-G1		NUT, 1/4 - 20.....	2
41	27153-G01		SOLENOID	1
42	*		LOCK WASHER, 5/16"	2
43	*		JAM NUT, 5/16 - 24.....	2
44	12914-G1		FASTON TAB.....	2
45	*		LOCK WASHER, #10	2
46	*		NUT, #10 - 32.....	2
47	00650-G7		WASHER, 1/4"	2
48	00565-G7		LOCK WASHER, 1/4"	2
49	00532-G1		NUT, 1/4 - 20.....	1
50	12914-G2		FASTON TAB.....	2
51	00650-G7		WASHER, 1/4"	1
52	00565-G7		LOCK WASHER, 1/4"	1
53	00532-G1		NUT, 1/4 - 20.....	1
54	25978-G56		18 GA WIRE (BLACK 5 3/4").....	1
55	72003-G01		SPACER	1
56				
57	72004-G01		COVER.....	1
58	11845-G7		INSULATED CLIP.....	1
59	11027-G2		LOCK NUT, 1/4 - 20	3
60				



When ordering parts, please specify the model and serial number of the product.
 * Indicates a component that is not available as an individual part.
 G** Indicates consult Customer Service Department for additional information.

ITEM	PART NO.	1 2 3 4 5	DESCRIPTION	QTY.
61	00414-G6		SCREW, 1/4 - 20 X 3/4" LG	1
62	11027-G2		LOCK NUT, 1/4 - 20	2
63	11845-G7		INSULATED CLIP	1
64				
65	25976-G12		14 GA WIRE (ELECTRICAL PLATE / GROUND)	1
66	20294-G3		GROUND CABLE	1
67	00715-G2		BOLT, 5/16 - 18 X 13/16" LG.....	1
68	25972-G54		6 GA WIRE (NEG TERMINAL / GROUND)	1
69	25972-G53		6 GA WIRE (POS TERMINAL / SOLENOID).....	1
70	*		SCREW, 5/16 - 18 X 1 1/4" LG	2
71	*		LOCK WASHER, 5/16"	2
72	*		NUT, 5/16 - 24.....	2
73				
74				
75	25977-G36		16 GA WIRE (SOLENIOD / FUSE BLOCK).....	1
76	25972-G52		6 GA WIRE (SOLENOID / F2)	1
77	16563-G1		RUBBER BOOT	1
78	XXXXX-XX		STARTER/GENERATOR (SEE SECTION S FOR PART NUMBER).....	1
79	25887-G01		6 GA WIRE (BLACK 6", F1 - A2)	1
80	34219-G01		WIRE HARNESS (ENGINE CONTROL).....	1
81				
82	17618-G1		WIRE TIE	4
83	26676-G01		BOLT, M6 X 23MM LG	1
84				
85	26651-G02		PULSER COIL (INCLUDES ITEM 86)	1
86	26707-G01		BOLT AND WASHER, M5 X 0.8 X10MM LG.....	2
87				
88	26652-G01		IGNITION COIL ASSEMBLY (INCLUDES ITEMS 89 - 94).....	1
89	*		COIL	1
90	*		SCREW	1



When ordering parts, please specify the model and serial number of the product.
 * Indicates a component that is not available as an individual part.
 G** Indicates consult Customer Service Department for additional information.

ITEM	PART NO.	1	2	3	4	5	DESCRIPTION	QTY.
91	*						SPACER	1
92	*						LOCK WASHER	1
93	*						NUT.....	1
94	*						NUT.....	1
95								
96	XXXXX-XX						DASH PANEL ASSEMBLY (INCLUDES ITEMS 97 - 101) (SEE SECTION C FOR PART NUMBER).....	1
97	XXXXX-XX						DASH PANEL (SEE SECTION C FOR PART NUMBER).....	1
98	XXXXX-XX						DECAL (SEE SECTION C FOR PART NUMBER)	1
99	21553-G1						FUEL GAUGE.....	1
100	21235-G1						GAUGE LIGHT	1
101	23474-G1						INDICATOR LIGHT	1
102								
103	33639-G01						IGNITION SWITCH WITH LIGHTS (STANDARD)	1
104	33783-G01						KEYLESS IGNITION SWITCH (OPTIONAL)	1
105								
106	14601-G8						RIVET, 3/8" X 11/16" LG (ALUMINUM)	2
107	18392-G1						15 AMP FUSE	1
108	19344-G1						ELECTRICAL TAPE	A/R
109	32673-G1						HORN SWITCH ASSEMBLY (INCLUDES ITEMS 110 - 113)	1
110	20948-G1						HORN SWITCH	1
111	20949-G1						RING TERMINAL.....	2
112	17064-G2						FEMALE TERMINAL	2
113	22982-G1						16 GA WIRE (GRAY)	1
114	32860-G1						HORN.....	1
115	20961-G3						STEERING COLUMN COVER (STANDARD).....	1
116	34370-G01						WIRE HARNESS (ACCESSORY).....	1
117	31539-G1						WIRE TIE	10
118	20209-G2						HEADLIGHT (RECTANGULAR).....	2
119	34377-G01						HEADLIGHT BRACKET	2



When ordering parts, please specify the model and serial number of the product.
 * Indicates a component that is not available as an individual part.
 G** Indicates consult Customer Service Department for additional information.

ITEM	PART NO.	1 2 3 4 5	DESCRIPTION	QTY.
120	00560-G3		WASHER, 1/2"	2
121	00566-G3		LOCK WASHER, 1/2"	2
122	00533-G1		NUT, 1/2 - 13	2
123	16705-G3		BOLT, 1/4 - 20 X 3/4" LG.....	4
124	00891-G2		LOCK NUT, 1/4 - 20	4
125	17618-G1		WIRE TIE (NOT ILLUSTRATED)	2
126	22281-G2		TRIM	2
127	32739-G2		TAILLIGHT	2
128	18392-G1		15 AMP FUSE.....	1
129				
130	32675-G3		STEERING COLUMN COVER (OPTIONAL - USED ON VEHICLES EQUIPPED WITH TURN SIGNALS)	1
131	17867-G1		TURN SIGNAL (WITH MOUNTING HARDWARE) (OPTIONAL) (INCLUDES ITEM 132)	1
132	21640-G1		TURN SIGNAL FLASHER	1
133	34589-G01		HEADLIGHT AND TURN SIGNAL (PASSENGER SIDE - OPTIONAL) (INCLUDES ITEMS 118 - 124, 135 - 138)	1
134	34589-G02		HEADLIGHT AND TURN SIGNAL (DRIVER SIDE - OPTIONAL) (INCLUDES ITEMS 118 - 124, 135 - 138)	1
135	21806-G1		TURN SIGNAL LIGHT BRACKET	1
136	18927-G1		ADAPTER MOUNT.....	1
137	19180-G2		TURN SIGNAL LIGHT	1
138	00598-G4		SCREW, #10 - 32 X 1/2" LG.....	2
139	34548-G04		HOUR METER KIT (INCLUDES ITEMS 140-143).....	1
140	33633-G03		HOUR METER.....	1
141	17902-G1		TAB ADAPTER	1
142	25978-G231		18 GA WIRE (WHITE/YELLOW, 36" LG)	1
143	25978-G344		18 GA WIRE (RED/WHITE, 10" LG).....	1
144	34576-G01		SEAT SWITCH (INCLUDES ITEMS 145 - 156)	1
145	34577-G01		BRACKET.....	1
146	34578-G01		SHAFT	1



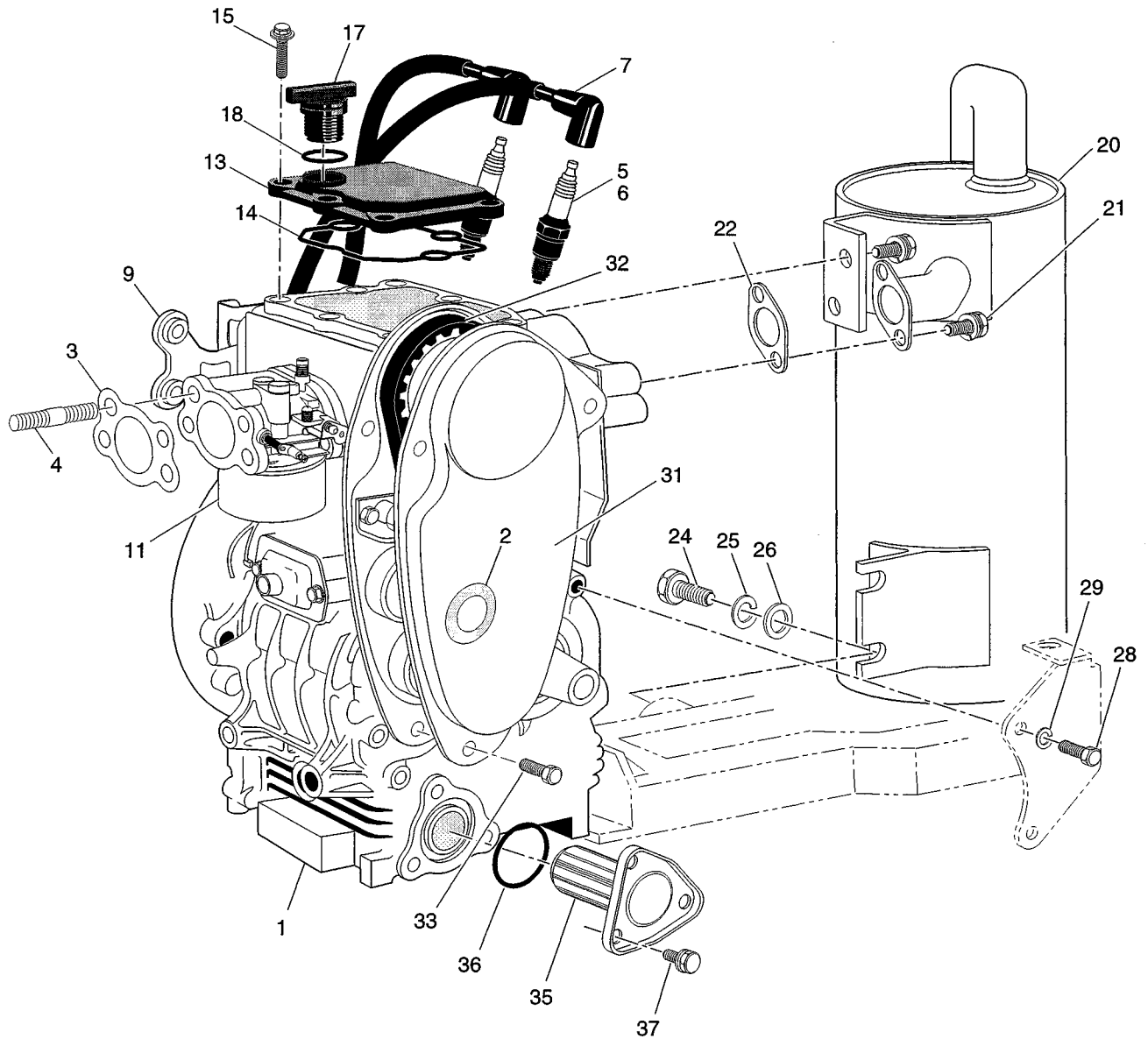
When ordering parts, please specify the model and serial number of the product.
 * Indicates a component that is not available as an individual part.
 G** Indicates consult Customer Service Department for additional information.

ITEM	PART NO.	1	2	3	4	5	DESCRIPTION	QTY.
147	12305-G1						RETAINING RING.....	2
148	34579-G01						WASHER, 2 1/8" O.D. 9/16" I.D.....	1
149	32870-G1						COMPRESSION SPRING	1
150	10606-G1						MICRO SWITCH.....	1
151	00645-G1						SCREW, #6 - 32 X 1" LG	2
152	00565-G3						WASHER, #6	2
153	00525-G5						NUT, #6 - 32.....	2
154	34580-G01						18 GA WIRE (WHITE 24")	1
155	34580-G02						18 GA WIRE (WHITE 24")	1
156	13514-G1						SCREW, #6 - 32 X 7/32" LG (BRASS)	2
157								
158	34587-G01						STRIKE PLATE	1
159	00130-G5						SCREW, #10 - 13 X 5/8" LG.....	2
160								
161	16705-G2						SCREW, 1/4 - 20 X 5/8" LG.....	2
162	00414-G5						BOLT, 1/4 - 20 X 5/8" LG	2
163	00891-G2						LOCK NUT, 1/4 - 20	4
164								
165	17618-G1						WIRE TIE (NOT ILLUSTRATED)	2

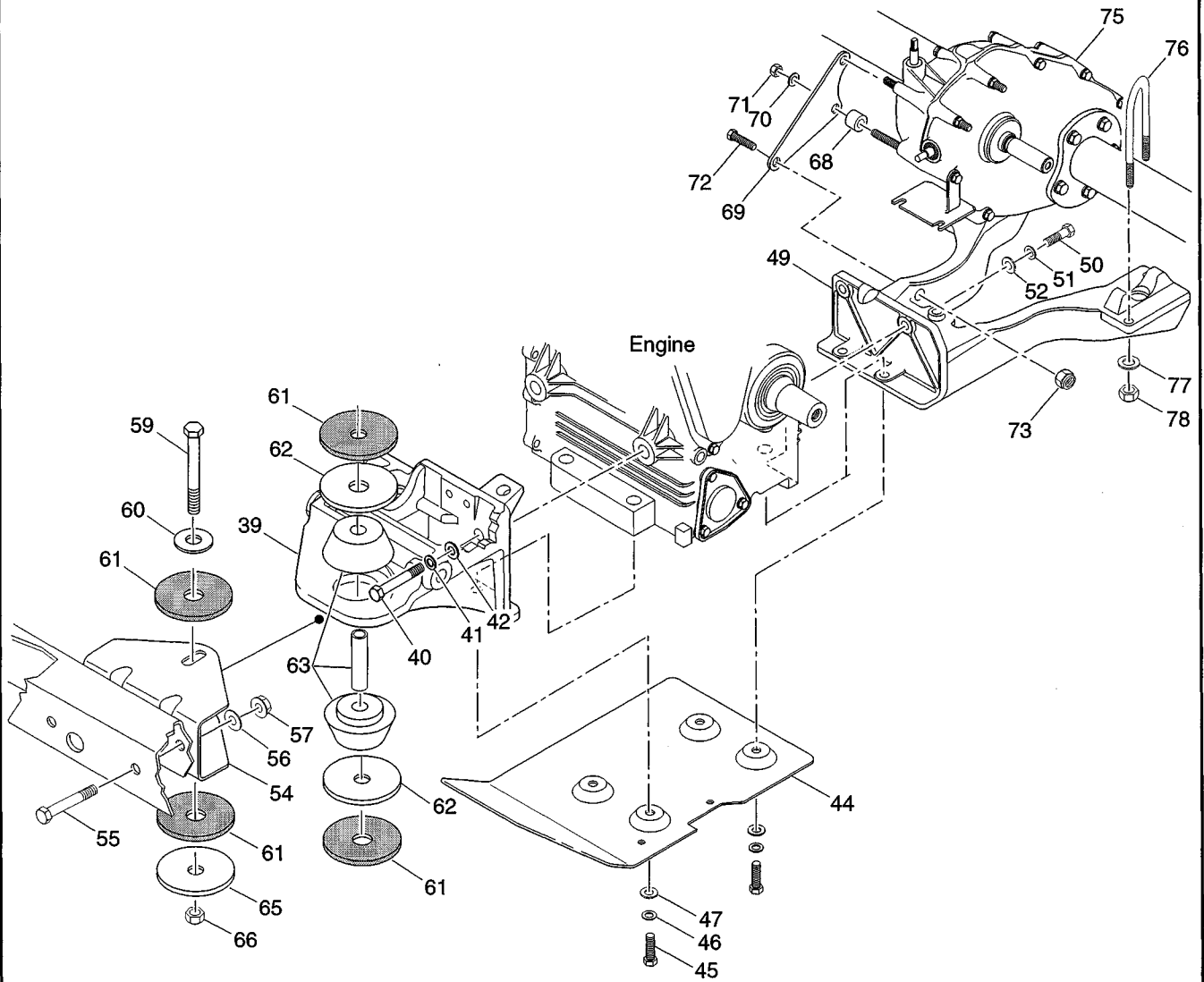




1 - Includes Items 2 - 37



ENGINE MOUNTING COMPONENTS



When ordering parts, please specify the model and serial number of the product.

* Indicates a component that is not available as an individual part.

G** Indicates consult Customer Service Department for additional information.

ITEM	PART NO.	1 2 3 4 5	DESCRIPTION	QTY.
1	72500-G04		ENGINE, 350CC (INCLUDES ITEMS 2 - 37).....	1
2	26631-G01		TIMING BELT COVER GROMMET	1
3	26727-G01		CARBURETOR / AIR BOX GASKET.....	1
4	72307-G01		STUD	2
5	25523-G3		SPARK PLUG (NGK BPR4ES - RESISTOR)	AR
6	25523-G2		SPARK PLUG (NGK BP4ES)	2
7	26733-G01		SPARK PLUG WIRE SET	1
8				
9	72305-G01		IGNITION COIL BRACKET.....	1
10				
11	XXXXX-XX		CARBURETOR (SEE SECTION D - CARBURETOR FOR PART NUMBER)	X
12				
13	26600-G01		VALVE COVER	1
14	26719-G01		VALVE COVER GASKET	1
15	26676-G01		BOLT, M6 X 23 MM LG	6
16				
17	26601-G01		OIL FILLER CAP	1
18	26720-G01		FILLER CAP 'O' RING	1
19				
20	72019-G01		MUFFLER.....	1
21	25532-G1		BOLT AND WASHER, M8 X 1.25 X 18MM LG	2
22	25531-G1		EXHAUST GASKET	1
23				
24	00438-G8		BOLT, 5/16 - 18 X 1" LG.....	1
25	00565-G8		LOCK WASHER, 5/16"	1
26	00642-G8		WASHER, 5/16"	1
27				
28	00276-G6		SCREW, 5/16 - 24 X 3/4" LG	2
29	00565-G8		LOCK WASHER, 5/16"	2

When ordering parts, please specify the model and serial number of the product.
 * Indicates a component that is not available as an individual part.
 G** Indicates consult Customer Service Department for additional information.

ITEM	PART NO.	1	2	3	4	5	DESCRIPTION	QTY.
30								
31	26630-G01						TIMING BELT COVER.....	1
32	26626-G01						TIMING BELT	1
33	26678-G01						BOLT, M6 X 1 X 12MM LG	3
34								
35	26591-G01						OIL FILTER.....	1
36	26710-G01						OIL FILTER 'O' RING	1
37	26680-G01						BOLT AND WASHER, M6 X 1 X 12MM LG	3
38								
39	72010-G01						FRONT ENGINE MOUNT	1
40	00463-G4						BOLT, 7/16 - 14 X 1 1/2" LG.....	2
41	00566-G2						LOCK WASHER, 7/16"	2
42	00922-G3						WASHER, 7/16"	2
43								
44	27432-G02						ENGINE GUARD	1
45	00463-G4						BOLT, 7/16 - 14 X 1 1/2" LG.....	4
46	00566-G2						LOCK WASHER, 7/16"	4
47	00922-G3						WASHER, 7/16"	4
48								
49	72011-G01						REAR ENGINE MOUNT	1
50	00463-G4						BOLT, 7/16 - 14 X 1 1/2" LG.....	2
51	00566-G2						LOCK WASHER, 7/16"	2
52	00922-G3						WASHER, 7/16"	2
53								
54	72044-G01						MOUNT BRACKET	1
55	00428-G6						BOLT, 3/8 - 16 X 2 3/4" LG.....	2
56	00643-G1						WASHER, 3/8"	2
57	11098-G5						LOCK NUT, 3/8 - 16	2
58								
59	00430-G4						BOLT, 3/8 - 16 X 4 1/2" LG.....	1



When ordering parts, please specify the model and serial number of the product.

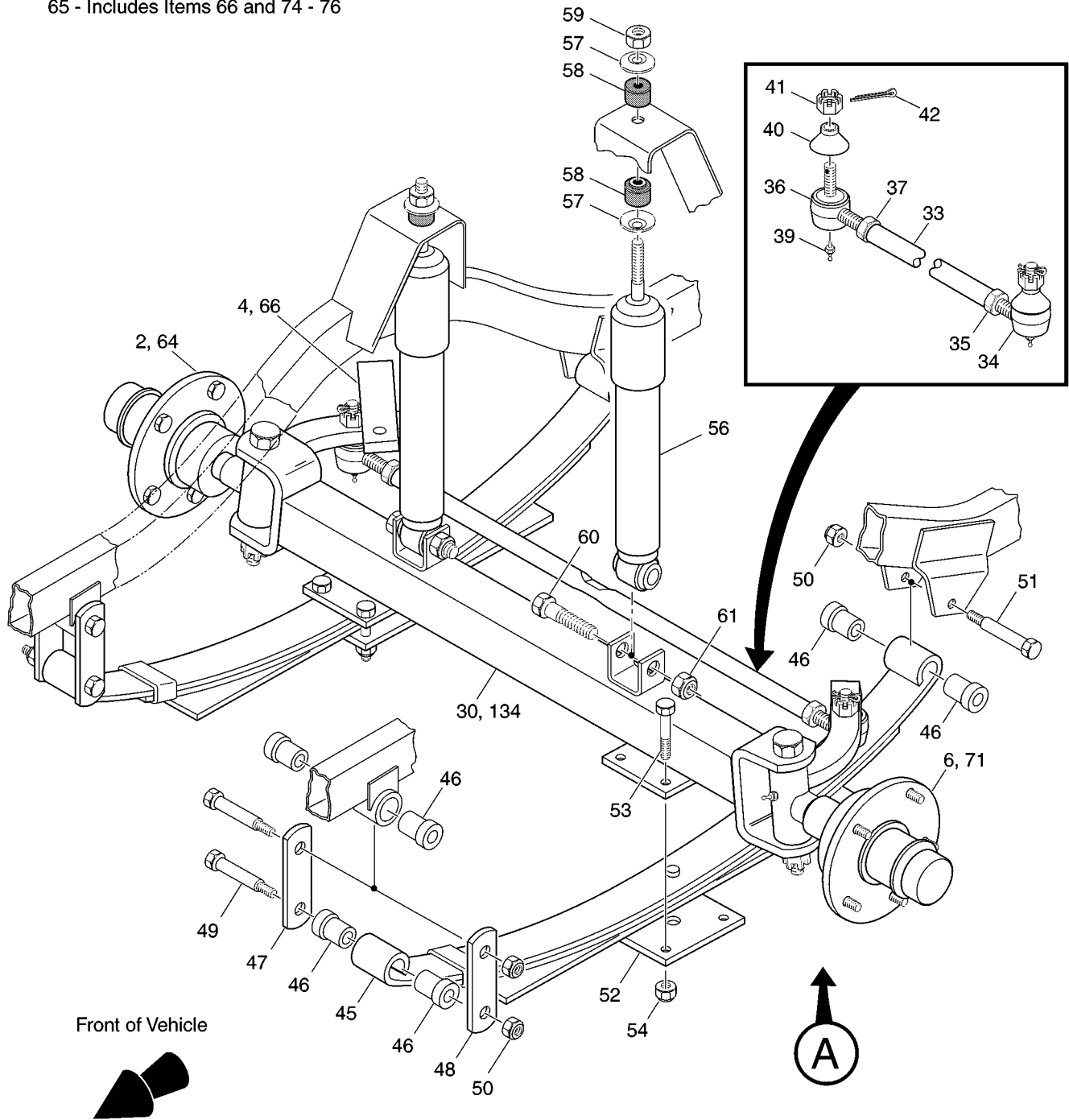
* Indicates a component that is not available as an individual part.

G** Indicates consult Customer Service Department for additional information.

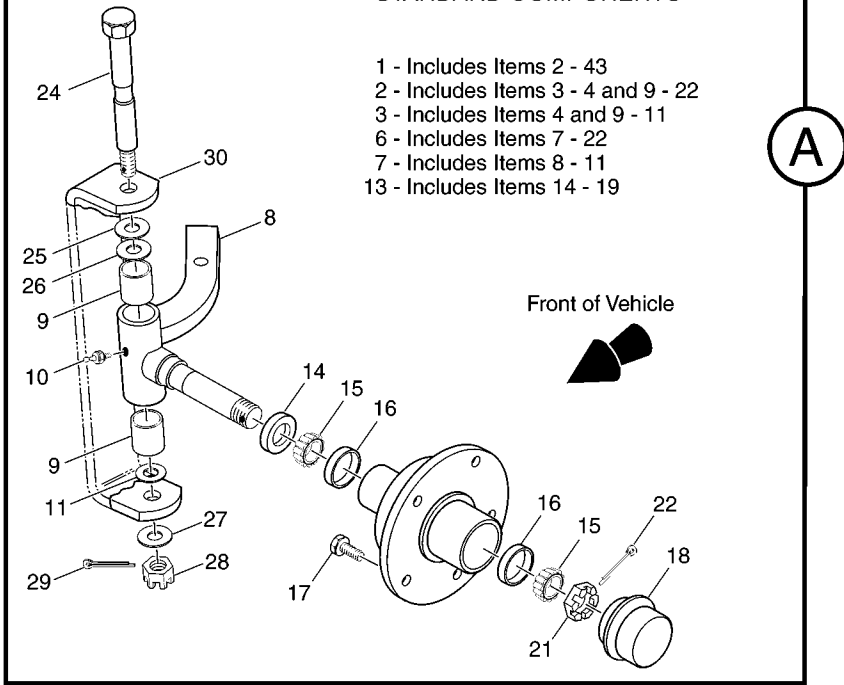
ITEM	PART NO.	1 2 3 4 5	DESCRIPTION	QTY.
60	15121-G1		WASHER, 3/8"	1
61	72050-G01		PLASTIC WASHER, 5/18" I.D. X 2 1/2" O.D.	4
62	72051-G01		WASHER, 5/8"	2
63	72015-G01		ISOLATION MOUNT	1
64				
65	72051-G02		WASHER, 11/32"	1
66	11098-G5		LOCK NUT, 3/8-16	1
67				
68	75048-G01		SPACER.....	1
69	72017-G01		AXLE BRACKET	1
70	26826-G01		LOCK WASHER, 8MM	2
71	26827-G01		NUT, M8 X 1.25MM	2
72	00439-G2		BOLT, 5/16-18 X 1 1/4" LG	1
73	11098-G6		LOCK NUT, 5/16 - 18	1
74				
75	XXXXX-XX		REAR AXLE (SEE SECTION N - REAR AXLE FOR PART NUMBER)	X
76	XXXXX-XX		'U' BOLT (SEE SECTION N - REAR AXLE FOR PART NUMBER)	X
77	XXXXX-XX		WASHER (SEE SECTION N - REAR AXLE FOR PART NUMBER).....	X
78	XXXXX-XX		NUT (SEE SECTION N - REAR AXLE FOR PART NUMBER).....	X



- 1 - Includes Items 2 - 43
- 2 - Includes Items 3 - 4 and 9 - 22
- 3 - Includes Items 4 and 9 - 11
- 6 - Includes Items 7 - 22
- 32 - Includes Items 33 - 37
- 63 - Includes Items 64 - 134 and 32 - 43
- 64 - Includes Items 65 - 69, 74 - 76 and 115 - 126
- 65 - Includes Items 66 and 74 - 76



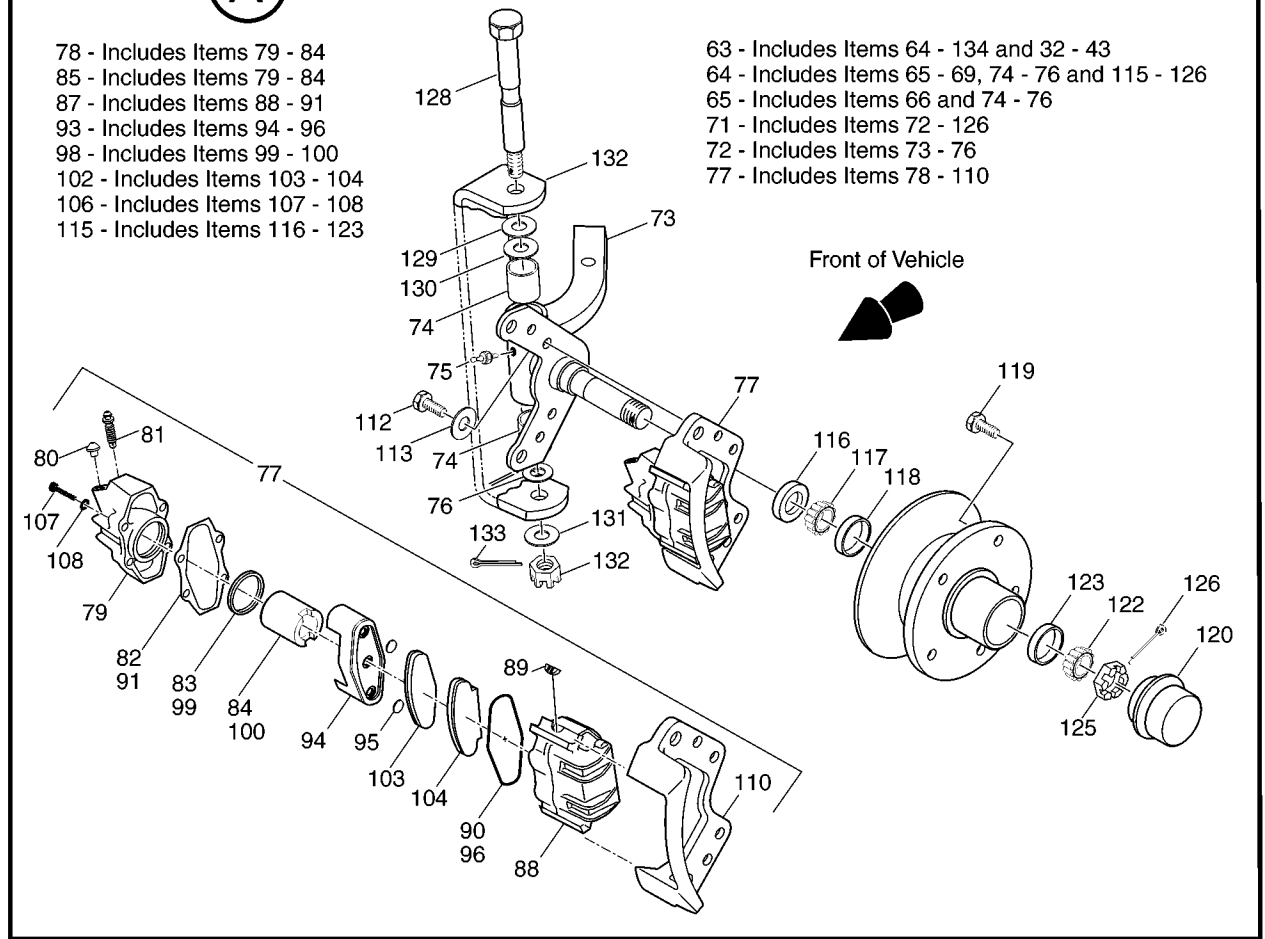
STANDARD COMPONENTS



- 1 - Includes Items 2 - 43
- 2 - Includes Items 3 - 4 and 9 - 22
- 3 - Includes Items 4 and 9 - 11
- 6 - Includes Items 7 - 22
- 7 - Includes Items 8 - 11
- 13 - Includes Items 14 - 19

A

OPTIONAL HYDRAULIC FRONT DISC BRAKES



- 78 - Includes Items 79 - 84
- 85 - Includes Items 79 - 84
- 87 - Includes Items 88 - 91
- 93 - Includes Items 94 - 96
- 98 - Includes Items 99 - 100
- 102 - Includes Items 103 - 104
- 106 - Includes Items 107 - 108
- 115 - Includes Items 116 - 123

- 63 - Includes Items 64 - 134 and 32 - 43
- 64 - Includes Items 65 - 69, 74 - 76 and 115 - 126
- 65 - Includes Items 66 and 74 - 76
- 71 - Includes Items 72 - 126
- 72 - Includes Items 73 - 76
- 77 - Includes Items 78 - 110

FRONT SUSPENSION / BRAKES

Gasoline Vehicle

When ordering parts, please specify the model and serial number of the product.

* Indicates a component that is not available as an individual part.

G** Indicates consult Customer Service Department for additional information.

ITEM	PART NO.	1 2 3 4 5	DESCRIPTION	QTY.
1	34082-G01		FRONT AXLE ASSEMBLY (INCLUDES ITEMS 2 - 43).....	1
2	34088-G01		SPINDLE AND HUB ASSEMBLY (PASSENGER SIDE) (INCLUDES ITEMS 3 - 4 AND 9 - 22)	1
3	34089-G01		SPINDLE ASSEMBLY (PASSENGER SIDE) (INCLUDES ITEMS 4 AND 9 - 11)	1
4	34083-G01		SPINDLE (PASSENGER SIDE).....	1
5				
6	34286-G01		SPINDLE AND HUB ASSEMBLY (DRIVER SIDE) (INCLUDES ITEMS 7 - 22)	1
7	34285-G01		SPINDLE ASSEMBLY (DRIVER SIDE) (INCLUDES ITEMS 8 - 11).....	1
8	34284-G01		SPINDLE (DRIVER SIDE)	1
9	16623-G1		BEARING	2
10	10389-G3		GREASE FITTING	1
11	16626-G1		OIL SEAL	1
12				
13	32783-G1		HUB ASSEMBLY (INCLUDES ITEMS 14 - 19).....	1
14	12092-G1		GREASE SEAL	1
15	11750-G2		ROLLER BEARING CONE	2
16	51141-G1		BEARING CUP	2
17	30143-G1		WHEEL BOLT, 1/2 - 20 X 1 7/32" LG	5
18	30146-G1		DUST CAP	1
19	12730-G1		WHEEL BEARING GREASE (NOT ILLUSTRATED)	A/R
20				
21	12093-G1		SLOTTED NUT, 17/32"	1
22	00798-G8		COTTER PIN, 5/32" X 1 3/4" LG.....	1
23				
24	25177-G2		KING PIN.....	2
25	00879-G7		WASHER, 7/8".....	2
26	16982-G1		THRUST WASHER, 7/8"	2
27	00560-G5		WASHER, 5/8".....	2



When ordering parts, please specify the model and serial number of the product.

* Indicates a component that is not available as an individual part.

G** Indicates consult Customer Service Department for additional information.

ITEM	PART NO.	1 2 3 4 5	DESCRIPTION	QTY.
28	14390-G2		LOCK NUT, 5/8-18.....	2
29	19060-G1		COTTER PIN, 1 1/4" LG.....	2
30	34081-G01		FRONT AXLE.....	1
31				
32	34084-G01		TIE ROD (INCLUDES ITEMS 33 - 37).....	1
33	70583-G08		THREADED TUBE WITH FLAT.....	1
34	27205-G01		TIE ROD END (LEFT HAND THREADS).....	1
35	18434-G3		JAM NUT, 9/16-18 (LEFT HAND THREADS).....	1
36	27205-G02		TIE ROD END (RIGHT HAND THREADS).....	1
37	18434-G4		JAM NUT, 9/16-18 (RIGHT HAND THREADS).....	1
38				
39	10389-G3		GREASE FITTING.....	2
40	50641-G1		RUBBER BOOT.....	2
41	50209-G1		SLOTTED NUT, 7/16-20.....	2
42	10387-G2		COTTER PIN, 3/32" X 1" LG.....	2
43	12730-G1		WHEEL BEARING GREASE (NOT ILLUSTRATED).....	A/R
44				
45	33670-G01		LEAF SPRING.....	2
46	20098-G1		RUBBER BUSHING.....	12
47	30035-G1		LEAF SPRING SHACKLE.....	2
48	30035-G2		LEAF SPRING SHACKLE.....	2
49	15727-G1		SHOULDER BOLT, 3/8-16 X 2 3/8" LG.....	4
50	13521-G4		LOCK NUT, 3/8-16.....	6
51	14158-G1		SHOULDER BOLT, 3/8-16 X 3 1/4" LG.....	2
52	34032-G02		SPRING MOUNTING PLATE.....	2
53	00427-G8		BOLT, 3/8-16 X 2" LG.....	8
54	11098-G5		LOCK NUT, 3/8-16.....	8
55				
56	21782-G1		SHOCK ABSORBER.....	2
57	10435-G1		SHOCK ABSORBER WASHER.....	4



When ordering parts, please specify the model and serial number of the product.

* Indicates a component that is not available as an individual part.

G** Indicates consult Customer Service Department for additional information.

ITEM	PART NO.	1 2 3 4 5	DESCRIPTION	QTY.
58	10194-G1		RUBBER BUSHING	4
59	00532-G6		NUT, 3/8-24	2
60	00458-G2		BOLT, 5/8-11 X 2 1/4" LG	2
61	14390-G7		LOCK NUT, 5/8-11.....	2
62				
63	34082-G03		FRONT AXLE ASSEMBLY WITH HYDRAULIC DISC BRAKES (INCLUDES ITEMS 64 - 134 AND 32 - 43).....	1
64	34114-G02		SPINDLE AND DISC HUB ASSEMBLY (PASSENGER SIDE) (INCLUDES ITEMS 65 - 69, 74 - 76 AND 115 - 126)	1
65	34119-G01		SPINDLE ASSEMBLY (PASSENGER SIDE) (INCLUDES ITEMS 66 AND 74 - 76)	1
66	34103-G01		SPINDLE (PASSENGER SIDE).....	1
67	34116-G02		DISC BRAKE ASSEMBLY (PASSENGER SIDE) (NOT SHOWN - OPPOSITE OF ITEM 77)	1
68	34118-G01		BOLT, M8 X 1.25 X 20MM LG (NOT SHOWN - OPPOSITE OF ITEM 112).....	4
69	00565-G8		WASHER, 5/16" (NOT SHOWN - OPPOSITE OF ITEM 113).....	4
70				
71	34115-G02		SPINDLE AND DISC HUB ASSEMBLY (DRIVER SIDE) (INCLUDES ITEMS 72 - 126)	1
72	34119-G02		SPINDLE ASSEMBLY (DRIVER SIDE) (INCLUDES ITEMS 73 - 76)	1
73	34104-G01		SPINDLE (DRIVER SIDE)	1
74	16623-G1		BEARING	2
75	10389-G3		GREASE FITTING	1
76	16626-G1		OIL SEAL	1
77	34116-G01		DISC BRAKE ASSEMBLY (DRIVER SIDE) (INCLUDES ITEMS 78 - 110).....	1
78	34110-G01		PISTON AND COVER ASSEMBLY KIT (DRIVER SIDE) (INCLUDES ITEMS 79 - 84)	1
79	*		COVER	1
80	*		SEAT INSERT	1
81	*		BLEEDER SCREW	1

When ordering parts, please specify the model and serial number of the product.

* Indicates a component that is not available as an individual part.

G** Indicates consult Customer Service Department for additional information.

ITEM	PART NO.	1	2	3	4	5	DESCRIPTION	QTY.
82	*						GASKET	1
83	*						PISTON SQUARE SEAL	1
84	*						PISTON.....	1
85	34110-G02						PISTON AND COVER ASSEMBLY KIT (PASSENGER SIDE) (INCLUDES ITEMS 79 - 84) (ITEMS 80 AND 81 ARE MOUNTED OPPOSITE OF THEIR MOUNTED ORIENTATION IN 34110-G01)	1
86								
87	34112-G01						DISC BRAKE HOUSING KIT (INCLUDES ITEMS 88 - 91)	1
88	*						HOUSING	1
89	*						RUBBER SPRING	2
90	*						PISTON O-RING.....	1
91	*						GASKET	1
92								
93	34573-G01						DISC BRAKE PISTON AND O-RING KIT (INCLUDES ITEMS 94 - 96)	1
94	*						PISTON.....	1
95	*						PISTON PLUG.....	2
96	*						PISTON O-RING.....	1
97								
98	34572-G01						DISC BRAKE PISTON AND SEAL KIT (INCLUDES ITEMS 99 - 100)	1
99	*						PISTON SQUARE SEAL	1
100	*						PISTON.....	1
101								
102	34574-G01						DISC BRAKE PADS KIT (INCLUDES ITEMS 103 - 104).....	1
103	*						BRAKE PAD (PISTON SIDE).....	1
104	*						BRAKE PAD (HOUSING SIDE)	1
105								
106	35222-G01						DISC BRAKE SCREW AND WASHER KIT (INCLUDES ITEMS 107 -108)	1
107	*						SCREW M5 X 0.8 X 25MM LG	1
108	*						WASHER, #10	1



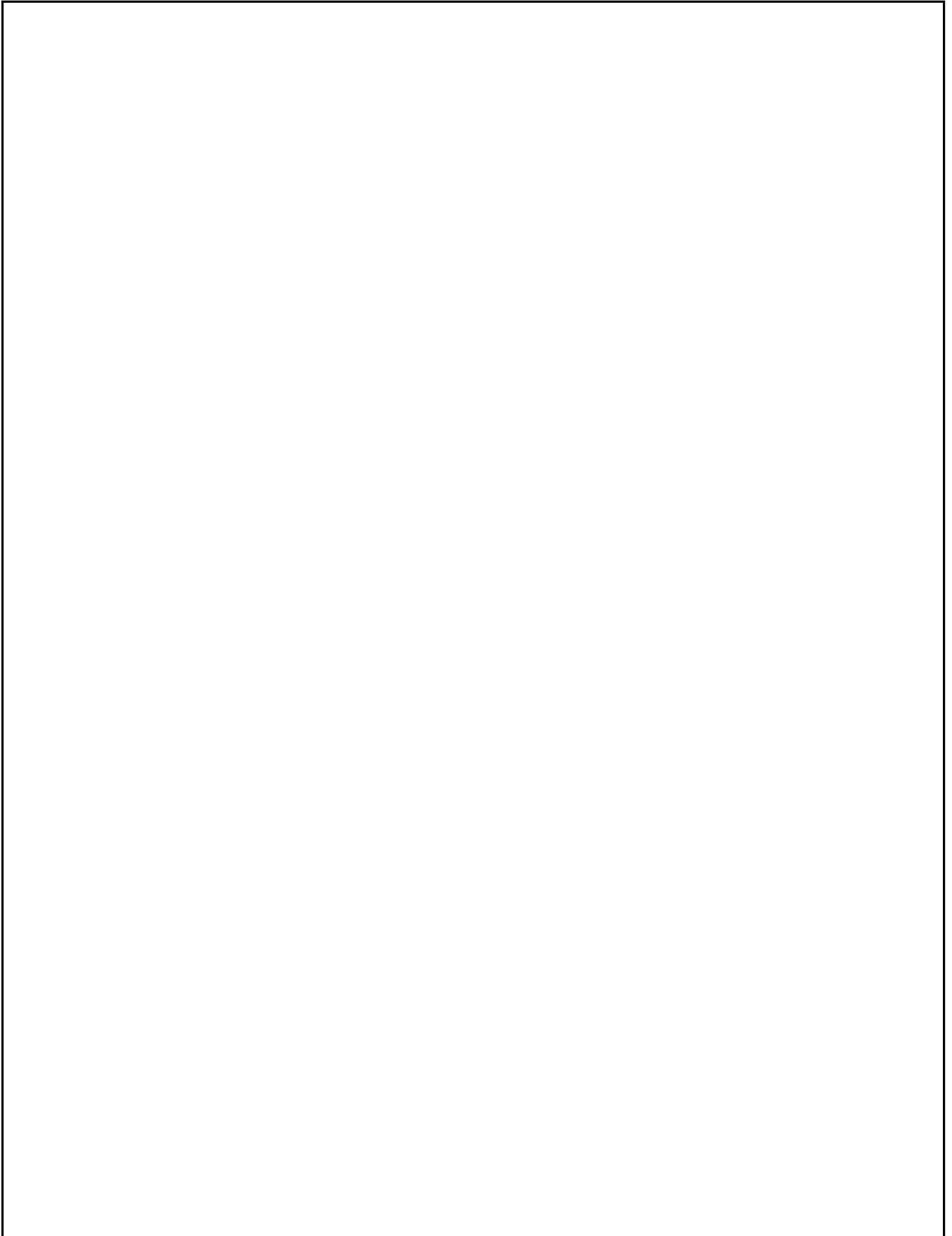
When ordering parts, please specify the model and serial number of the product.

* Indicates a component that is not available as an individual part.

G** Indicates consult Customer Service Department for additional information.

ITEM	PART NO.	1	2	3	4	5	DESCRIPTION	QTY.
109								
110	34108-G01						DISC BRAKE MOUNTING BRACKET	1
111								
112	34118-G01						BOLT, M8 X 1.25 X 20MM LG	4
113	00565-G8						LOCK WASHER, 5/16".....	4
114								
115	32783-G1						DISC HUB ASSEMBLY (INCLUDES ITEMS 116 - 123).....	1
116	12092-G1						GREASE SEAL	1
117	11750-G2						ROLLER BEARING CONE (INNER).....	1
118	51141-G1						BEARING CUP (INNER).....	1
119	34117-G01						WHEEL BOLT, 1/2 - 20 X 1 3/4" LG	5
120	30146-G1						DUST CAP	1
121	12730-G1						WHEEL BEARING GREASE (NOT ILLUSTRATED)	A/R
122	11750-G1						ROLLER BEARING CONE (OUTER)	1
123	11752-G1						BEARING CUP (OUTER)	1
124								
125	12093-G1						SLOTTED NUT, 17/32"	1
126	00798-G8						COTTER PIN, 5/32" X 1 3/4" LG.....	1
127								
128	25177-G2						KING PIN.....	2
129	00879-G7						WASHER, 7/8".....	2
130	16982-G1						THRUST WASHER, 7/8"	2
131	00560-G5						WASHER, 5/8".....	2
132	14390-G2						LOCK NUT, 5/8-18.....	2
133	19060-G1						COTTER PIN, 1 1/4" LG.....	2
134	34081-G01						FRONT AXLE	1





When ordering parts, please specify the model and serial number of the product.
 * Indicates a component that is not available as an individual part.
 G** Indicates consult Customer Service Department for additional information.

ITEM	PART NO.	1 2 3 4 5	DESCRIPTION	QTY.
1	34196-G01		FUEL TANK (INCLUDES ITEMS 2 - 12).....	1
2	34070-G01		FUEL TANK	1
3	27210-G04		SIPHON TUBE	1
4	26060-G01		BUSHING	1
5	20048-G5		FUEL LEVEL SENDER	1
6	34130-G01		FUEL TANK SUPPORT	1
7	34131-G01		FUEL TANK MAT	1
8	14776-G1		RETAINER NUT ('J' TYPE)	2
9	34129-G02		FUEL TANK RETAINER	1
10	14643-G4		VINYL EXTRUSION	1
11	00414-G6		BOLT, 1/4 - 20 X 3/4" LG	2
12	00559-G7		WASHER, 1/4"	2
13				
14	00438-G8		BOLT, 5/16 - 18 X 1" LG.....	4
15	00559-G8		WASHER, 5/16"	8
16	11098-G6		LOCK NUT, 5/16 - 18	4
17				
18	34321-G01		FUEL PUMP STANCHION.....	1
19	00428-G8		BOLT, 3/8 - 16 X 3" LG	2
20	00560-G1		WASHER, 3/8"	2
21	11098-G5		LOCK NUT, 3/8 - 16	2
22				
23	72021-G01		FUEL PUMP	1
24	00414-G6		BOLT, 1/4 - 20 X 3/4" LG.....	2
25	11027-G2		LOCK NUT, 1/4 - 20	2
26				
27	19702-G2		TUBE, 8"	1
28	18292-G1		CLAMP	2
29	34160-G01		FUEL LINE TUBING	1
30	11845-G8		INSULATED CLAMP	4



When ordering parts, please specify the model and serial number of the product.

* Indicates a component that is not available as a individual part.

G** Indicates consult Customer Service Department for additional information.

ITEM	PART NO.	1 2 3 4 5	DESCRIPTION	QTY.
31	00106-G6		SELF THREADING SCREW, #12 - 24 X 3/4" LG	4
32	17470-G1		TUBING (BULK) 2 3/4"	A/R
33	18292-G1		CLAMP	2
34	72084-G01		FUEL FILTER	1
35	17470-G1		TUBING (BULK) 2 3/4"	A/R
36	18292-G1		CLAMP	2
37				
38	27184-G08		TUBE, 20"	1
39	18292-G1		CLAMP	1
40	11391-G4		CLAMP	3
41	25346-G12		TUBE, 22"	1
42	17618-G1		WIRE TIE	1
43				
44	34282-G01		FUEL INLET HOSE	1
45	11391-G2		CLAMP	2
46	34194-G01		FUEL INLET	1
47	00438-G8		BOLT, 5/16 - 18 X 1" LG	2
48	00559-G8		WASHER, 5/16"	2
49	11098-G6		LOCK NUT, 5/16 - 18	2
50				
51	33433-G01		FUEL CAP (VENTED)	1



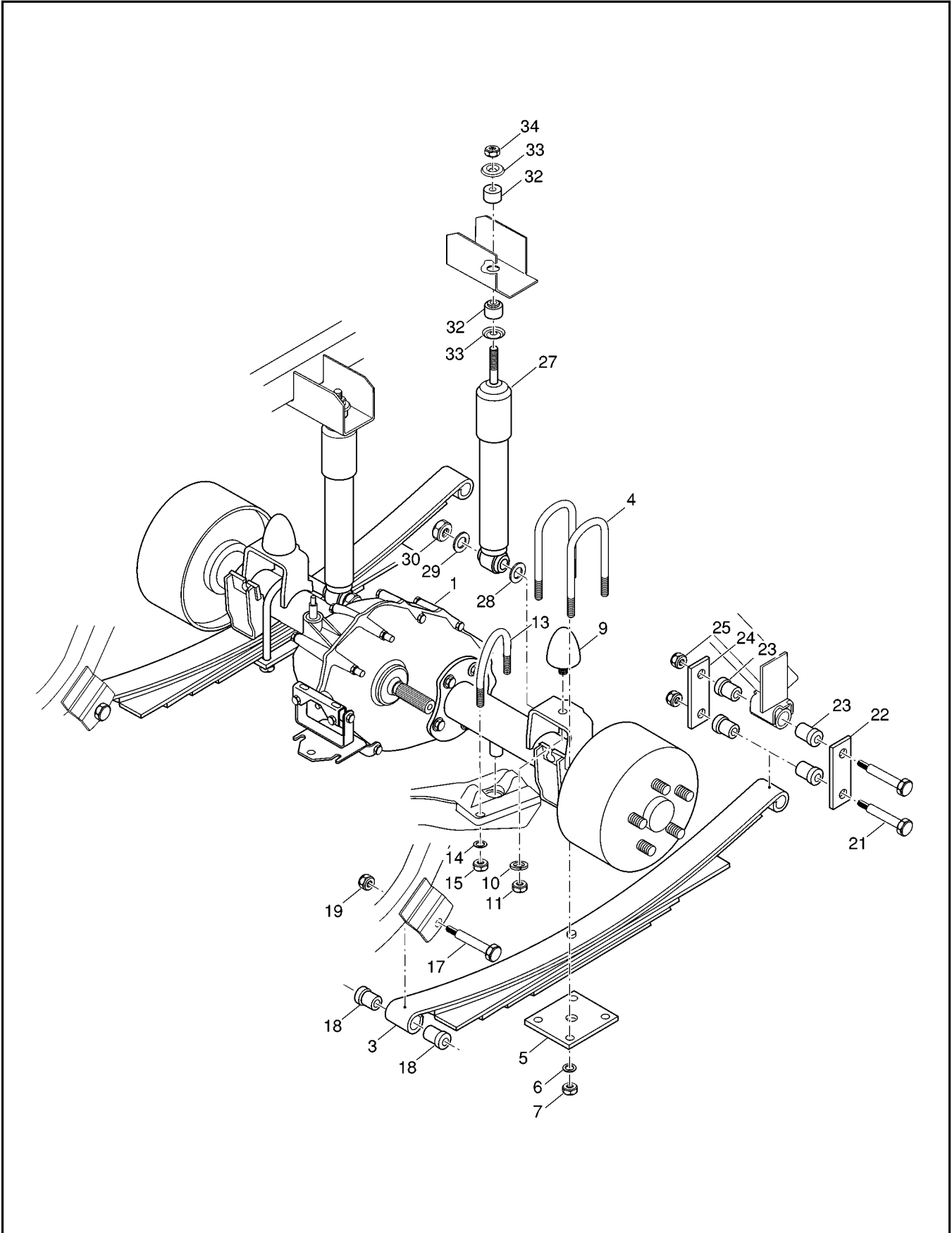
When ordering parts, please specify the model and serial number of the product.

* Indicates a component that is not available as an individual part.

G** Indicates consult Customer Service Department for additional information.

ITEM	PART NO.	1 2 3 4 5	DESCRIPTION	QTY.
1	34047-G01		REAR AXLE (13.32:1) (INCLUDES ITEMS 3 - 28)	1
2				
3	26823-G01		FLANGED BOLT, M8 X 1.25 X 100 MMLG.....	7
4	26824-G01		FLANGED BOLT, M8 X 1.25 X 110 MMLG.....	1
5	72053-G01		BOLT, M8 X 1.25 X 120MM LG.....	1
6	72052-G01		FLANGED BOLT, M8 X 1.25 X 130MM LG.....	1
7	26826-G01		LOCK WASHER, 8MM	11
8	26827-G01		NUT, M8 X 1.25MM	11
9	26768-G01		OIL CHECK PLUG.....	1
10	26769-G01		GASKET, 8MM.....	1
11	26770-G01		OIL DRAIN PLUG.....	1
12	26771-G01		GASKET, 14MM.....	1
13	26772-G01		OIL FILLER PLUG	1
14	26761-G01		INPUT SHAFT SEAL	1
15	26762-G01		SHIFTER SHAFT SEAL	1
16	26766-G01		AXLE SHAFT SEAL.....	2
17				
18	34138-G01		AXLE TUBE (DRIVER SIDE).....	1
19	34139-G01		AXLE TUBE (PASSENGER SIDE)	1
20	34136-G01		AXLE SHAFT (DRIVER SIDE)	1
21	34137-G01		AXLE SHAFT (PASSENGER SIDE)	1
22	XXXXX-XX		RETAINING RING (SEE BRAKES SECTION FOR P/N)	
23	XXXXX-XX		SEALED BALL BEARING (SEE BRAKES SECTION FOR P/N)	
24	26767-G01		STUD, M10 X 1.5 X 40MM LG.....	5
25	26828-G01		WASHER, 10MM	10
26	26829-G01		NUT, 10MM X 1.5MM	10
27				
28	26815-G01		SHIFTER CABLE BRACKET.....	1
29				
30	XXXXX-XX		NUT AND LOCK WASHER (SEE ENGINE AND MUFFLER SECTION FOR P/N'S)	





When ordering parts, please specify the model and serial number of the product.

* Indicates a component that is not available as an individual part.

G** Indicates consult Customer Service Department for additional information.

ITEM	PART NO.	1 2 3 4 5	DESCRIPTION	QTY.
1	XXXXX-XX		REAR AXLE (SEE SECTION N - REAR AXLE FOR PART NUMBER).....	1
2				
3	34041-G01		LEAF SPRING	2
4	32195-G1		"U" BOLT, 2 3/8"	4
5	34011-G01		SPRING MOUNTING PLATE.....	2
6	00560-G1		WASHER, 3/8"	8
7	11098-G5		LOCK NUT, 3/8 - 16	8
8				
9	70492-G01		RUBBER BUMPER.....	2
10	00968-G01		LOCK WASHER, 10MM.....	2
11	00974-G01		NUT, M10 X 1.5.....	2
12				
13	72035-G01		"U" BOLT, 7/16 - 14	2
14	00922-G3		WASHER, 7/16"	4
15	00734-G1		LOCK NUT, 7/16 - 14	4
16				
17	14158-G1		SHOULDER BOLT, 3/8 - 16 X 3 1/4" LG.....	2
18	20098-G1		RUBBER BUSHING.....	4
19	13521-G4		LOCK NUT, 3/8 - 16	2
20				
21	15727-G1		SHOULDER BOLT, 3/8 - 16 X 2 3/8" LG.....	4
22	34135-G01		SHACKLE (OUTBOARD).....	2
23	20098-G1		RUBBER BUSHING.....	8
24	34135-G02		SHACKLE (INBOARD).....	2
25	13521-G4		LOCK NUT, 3/8 - 16	4
26				
27	21782-G1		SHOCK ABSORBER	2
28	70472-G01		SHOCK ABSORBER SPACER.....	2
29	00643-G3		WASHER, 1/2"	2
30	00551-G1		LOCK NUT, 1/2 - 13	2



REAR SUSPENSION

Gasoline Vehicle

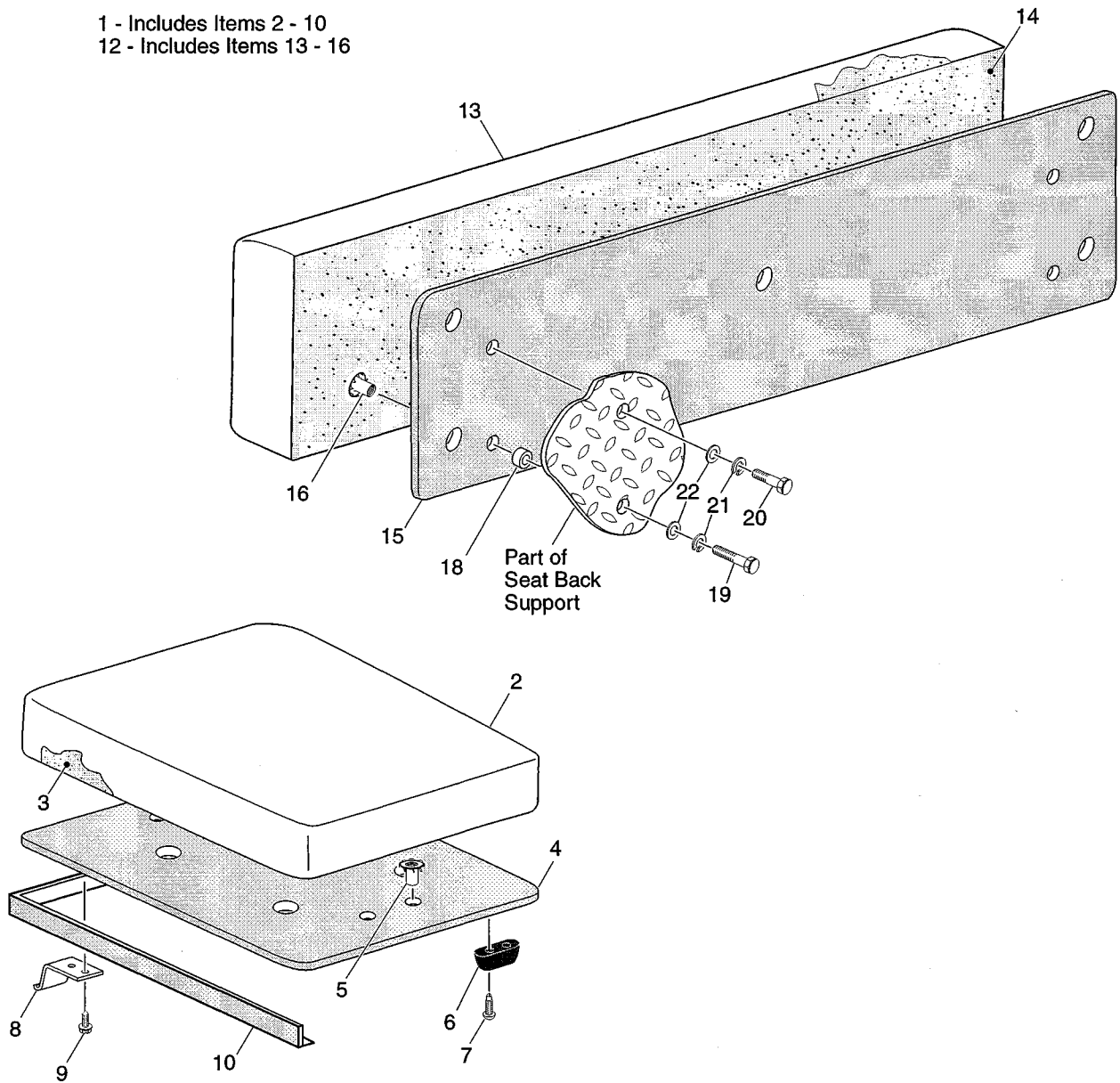
When ordering parts, please specify the model and serial number of the product.
* Indicates a component that is not available as a individual part.
G** Indicates cousult Customer Service Department for additional information.

ITEM	PART NO.	1 2 3 4 5	DESCRIPTION	QTY.
31				
32	10194-G1		SHOCK ABSORBER RUBBER BUSHING	4
33	10435-G1		SHOCK ABSORBER WASHER	4
34	00532-G6		NUT, 3/8 - 24	2





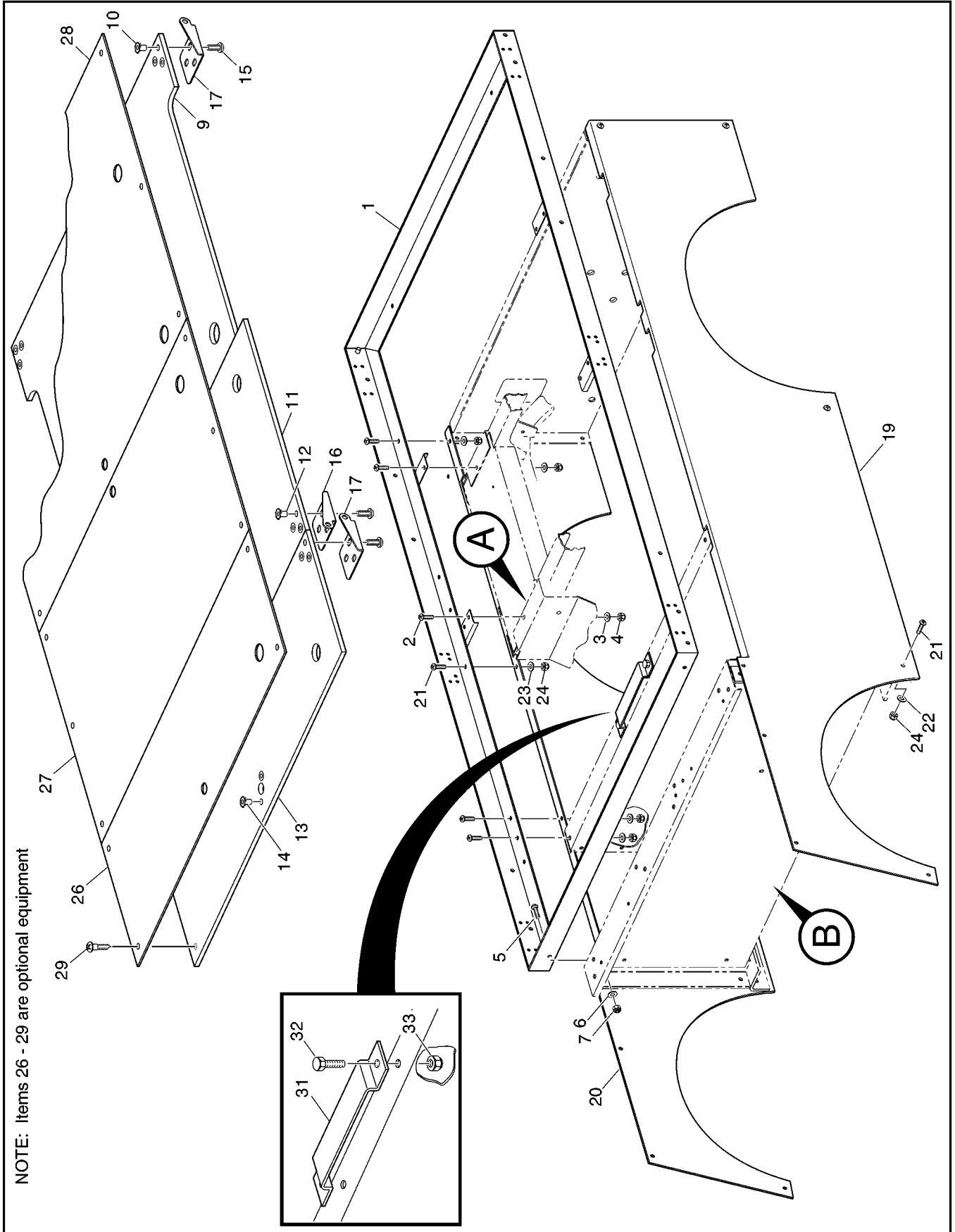
1 - Includes Items 2 - 10
12 - Includes Items 13 - 16

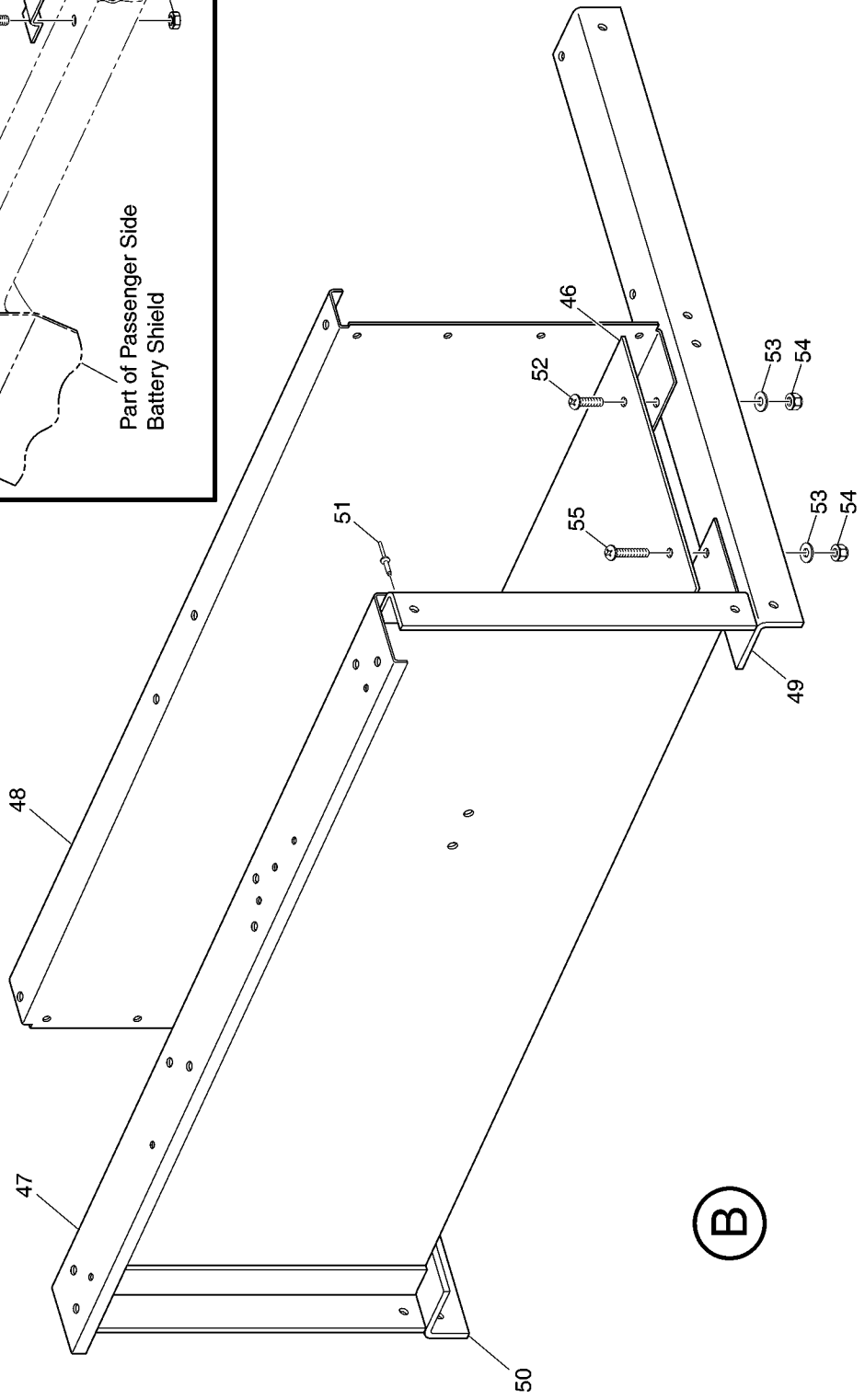
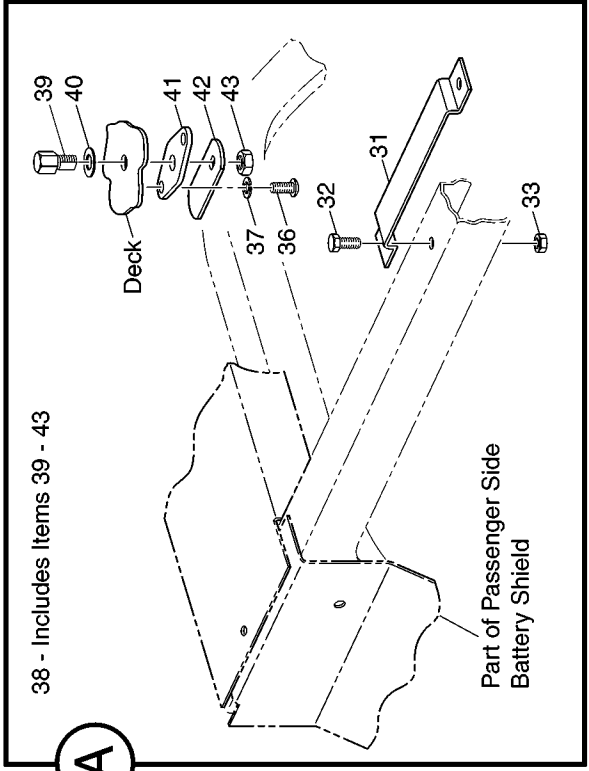


When ordering parts, please specify the model and serial number of the product.
 * Indicates a component that is not available as an individual part.
 G** Indicates consult Customer Service Department for additional information.

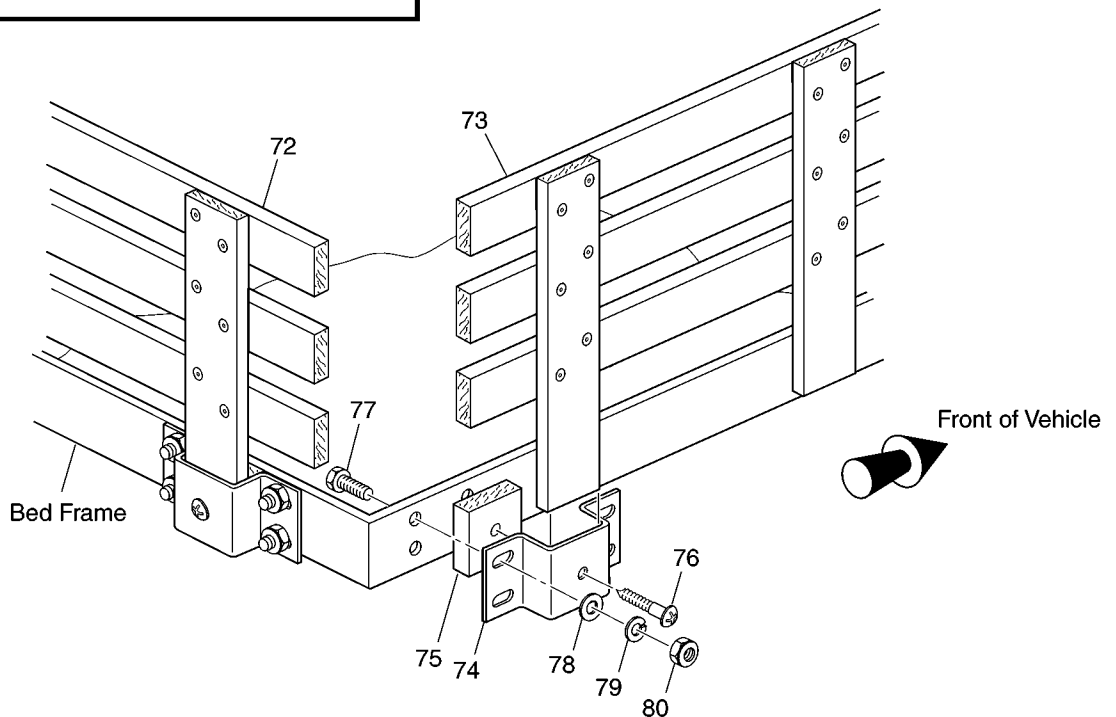
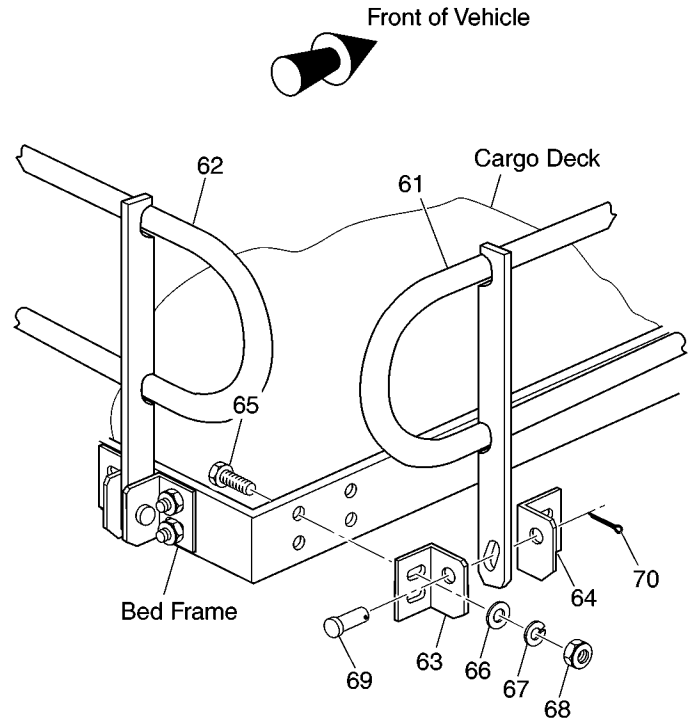
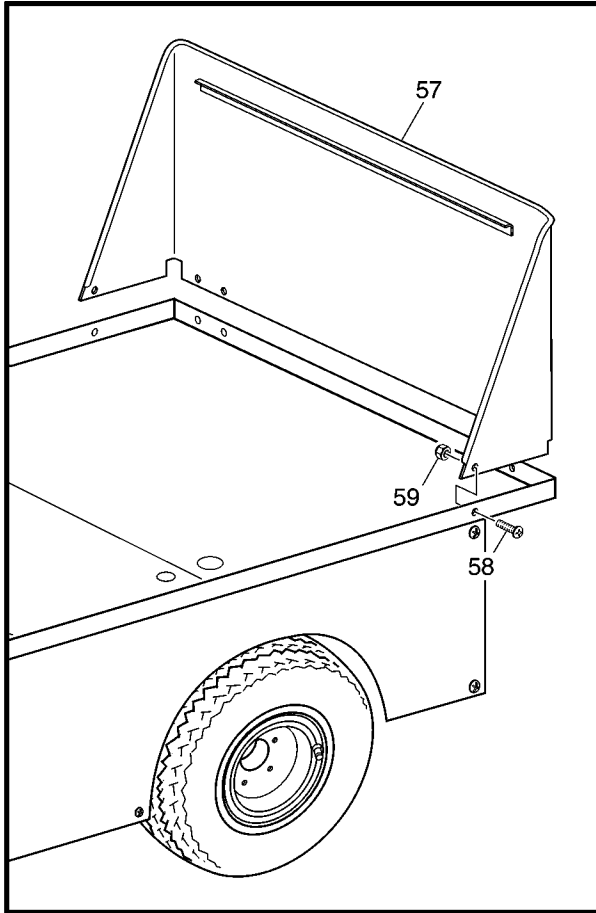
ITEM	PART NO.	1 2 3 4 5	DESCRIPTION	QTY.
1	34660-G**		SEAT BOTTOM ASSEMBLY (INCLUDES ITEMS 2 - 10).....	2
2	19584-G**		COVER.....	1
3	25435-G1		FOAM.....	1
4	11062-G1		PLYWOOD.....	1
5	11782-G2		TEE NUT, 1/4 - 20.....	4
6	11097-G1		BUMPER PAD.....	2
7	00128-G8		SCREW, #5 - 20 X 1" LG.....	4
8	18250-G2		HINGE.....	2
9	00115-G2		SCREW, 12 - 14 X 3/4" LG.....	4
10	17113-G4		TRIM.....	1
11				
12	33704-G**		SEAT BACK ASSEMBLY (INCLUDES ITEMS 13 - 16).....	1
13	26565-G**		COVER.....	1
14	26566-G02		FOAM.....	1
15	33705-G01		PLYWOOD.....	1
16	11782-G2		TEE NUT, 1/4 - 20.....	4
17				
18	19247-G5		SPACER.....	2
19	16705-G5		SCREW, 1/4 - 20 X 1 1/2" LG.....	2
20	16705-G1		SCREW, 1/4 - 20 X 1" LG.....	2
21	00664-G7		LOCK WASHER, 1/4".....	4
22	00915-G1		WASHER, 1/4.....	4



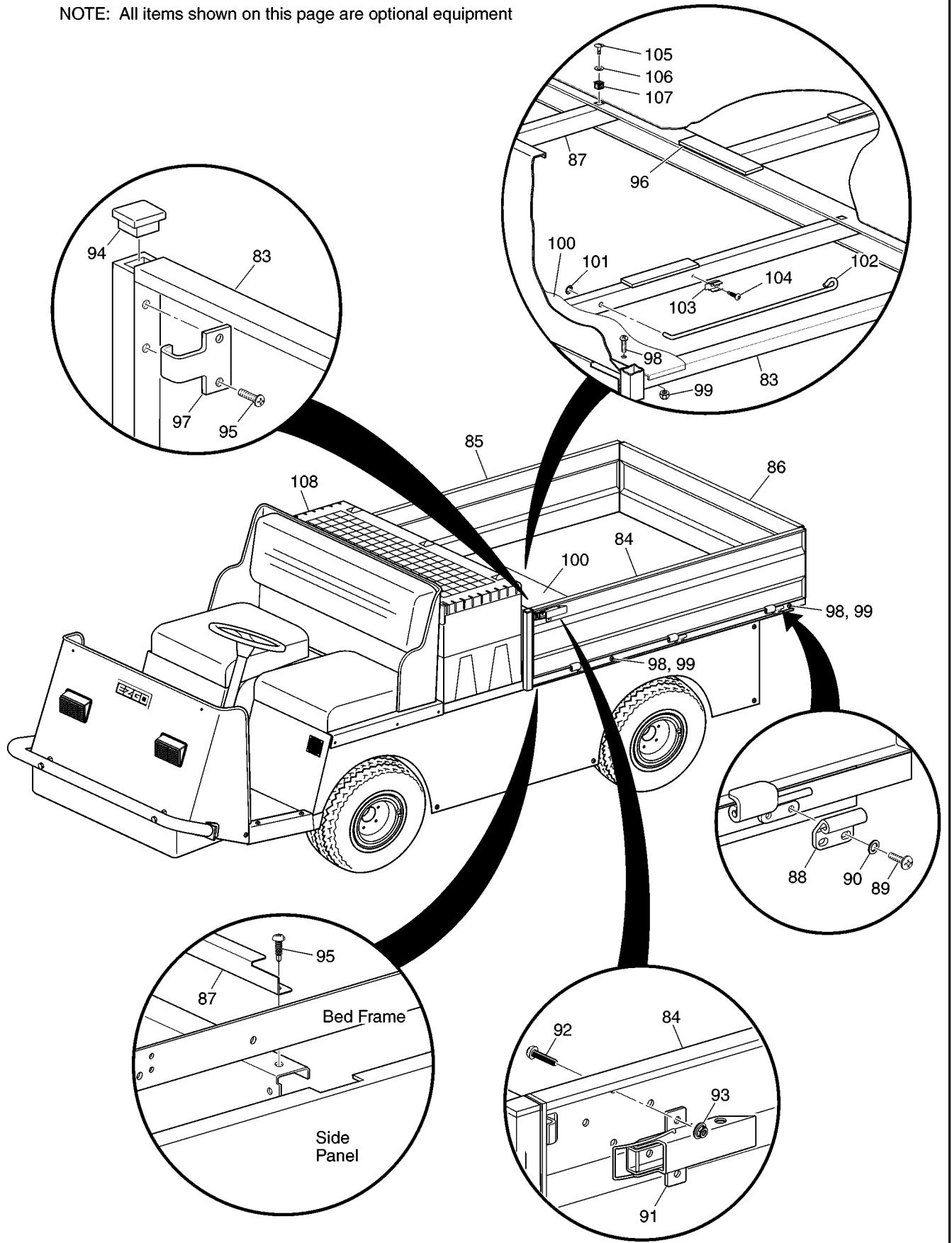




NOTE: All items shown on this page are optional equipment



NOTE: All items shown on this page are optional equipment



When ordering parts, please specify the model and serial number of the product.
 * Indicates a component that is not available as an individual part.
 G** Indicates consult Customer Service Department for additional information.

ITEM	PART NO.	1 2 3 4 5	DESCRIPTION	QTY.
1	34339-G01		BED FRAME	1
2	16705-G3		SCREW, 1/4 - 20 X 3/4" LG.....	6
3	00559-G7		WASHER, 1/4"	6
4	00891-G2		LOCK NUT, 1/4 - 20	6
5	00976-G08		SCREW, 5/16 - 18 X 1" LG.....	2
6	00660-G8		WASHER, 5/16"	2
7	11098-G6		LOCK NUT, 5/16 - 18	2
8				
9	35612-G01		DECK (REAR) (INCLUDES ITEM 10).....	1
10	01048-G01		TEE NUT, 1/4 - 20.....	8
11	35613-G01		DECK (INCLUDES ITEM 12)	1
12	01048-G01		TEE NUT, 1/4 - 20.....	8
13	35614-G01		DECK (STORAGE) (INCLUDES ITEM 14)	1
14	01048-G01		TEE NUT, 1/4 - 20.....	8
15	16705-G2		BOLT, 1/4 - 20 X 5/8" LG	18
16	34298-G03		HINGE (DRIVER SIDE).....	3
17	34298-G04		HINGE (PASSENGER SIDE)	3
18				
19	34337-G01		SIDE PANEL (DRIVER SIDE)	1
20	34337-G02		SIDE PANEL (PASSENGER SIDE).....	1
21	16705-G3		SCREW, 1/4 - 20 X 3/4" LG.....	14
22	00915-G1		WASHER, 1/4"	8
23	00559-G7		WASHER, 1/4"	6
24	00891-G2		LOCK NUT, 1/4 - 20	14
25				
26	34508-G01		STEEL DECK (STORAGE)	1
27	34509-G01		STEEL DECK	1
28	34510-G01		STEEL DECK (REAR).....	1
29	00130-G5		SCREW, #10 - 13 X 5/8" LG.....	18
30				



When ordering parts, please specify the model and serial number of the product.

* Indicates a component that is not available as an individual part.

G** Indicates consult Customer Service Department for additional information.

ITEM	PART NO.	1 2 3 4 5	DESCRIPTION	QTY.
31	34435-G01		DECK SPACER.....	3
32	00414-G6		BOLT, 1/4 - 20 X 3/4" LG.....	6
33	14390-G4		LOCK NUT, 1/4 - 20	6
34				
35				
36	16705-G2		BOLT, 1/4 - 20 X 5/8".....	6
37	00565-G7		LOCK WASHER, 1/4"	6
38	34430-G01		LATCH ASSEMBLY (INCLUDES ITEMS 39 - 43).....	3
39	34432-G01		LATCH PIN	1
40	34434-G01		WASHER, 3/8"	1
41	34431-G01		LATCH PLATE	1
42	34433-G01		LATCH	1
43	14390-G1		LOCK NUT, 3/8 - 24.....	1
44				
45				
46	34330-G01		FOOT REST.....	1
47	34379-G01		BULKHEAD SUPPORT	1
48	34378-G01		BED FRAME PANEL SUPPORT	1
49	34327-G01		FOOT REST SUPPORT (DRIVER SIDE).....	1
50	34327-G02		FOOT REST SUPPORT (PASSENGER SIDE)	1
51	10570-G11		RIVET, 3/16" X 3/4" LG (STAINLESS STEEL).....	4
52	16705-G1		SCREW, 1/4 - 20 X 1" LG	2
53	00559-G7		WASHER, 1/4"	4
54	00891-G2		LOCK NUT, 1/4 - 20	4
55	16705-G9		SCREW, 1/4 - 20 X 1 1/4" LG	2
56				
57	34540-G01		REAR BULKHEAD.....	1
58	16705-G3		SCREW, 1/4 - 20 X 3/4" LG	6
59	00891-G2		LOCK NUT, 1/4 - 20	6
60				



SIDE PANELS & CARGO DECK (875G)**Gasoline Vehicle**

When ordering parts, please specify the model and serial number of the product.

* Indicates a component that is not available as an individual part.

G** Indicates consult Customer Service Department for additional information.

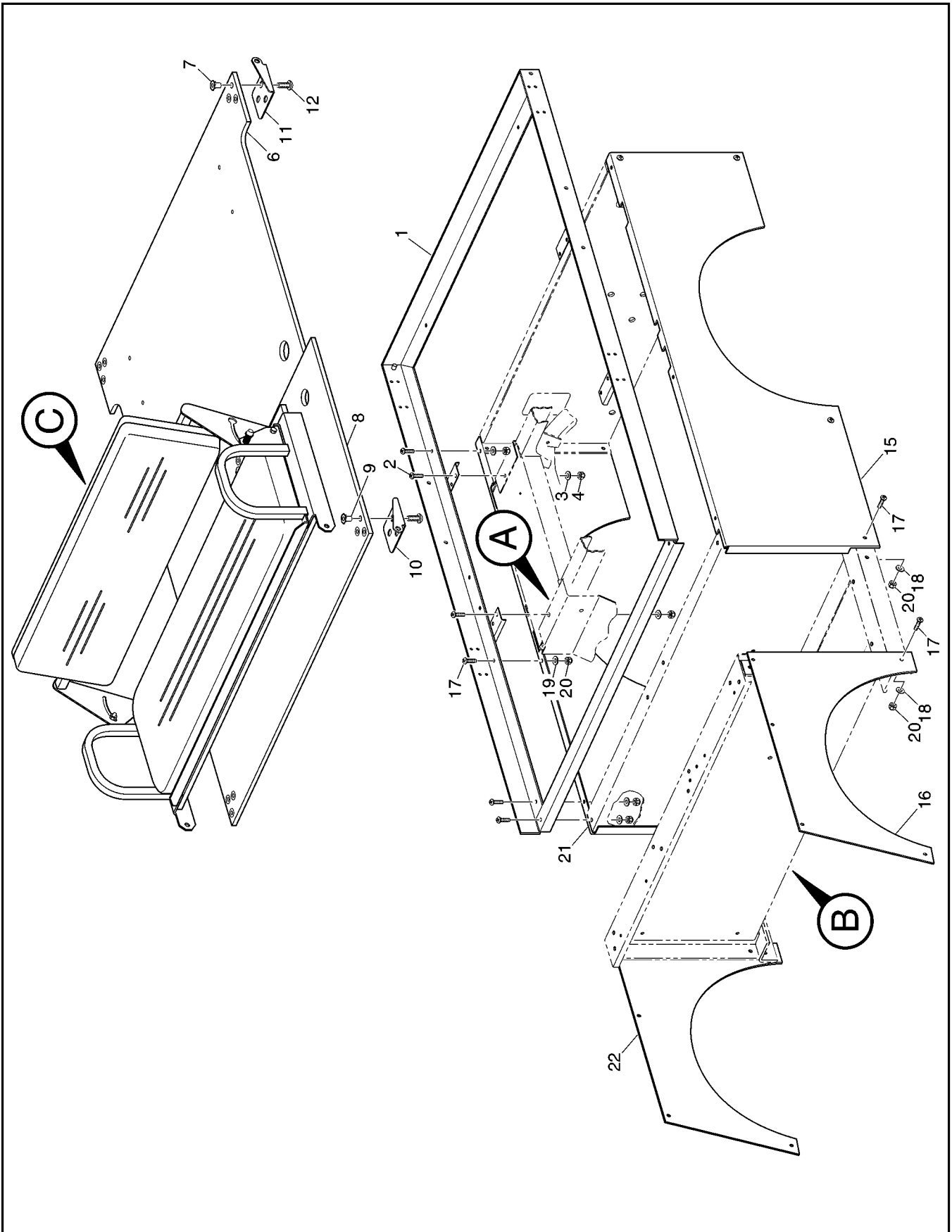
ITEM	PART NO.	1 2 3 4 5	DESCRIPTION	QTY.
61	32790-G1		SIDE RAIL, 67" (SIDE)	2
62	34296-G01		SIDE RAIL, 43 1/4" (REAR)	1
63	32795-G1		RAIL SUPPORT	8
64	32795-G2		RAIL SUPPORT	8
65	00414-G6		BOLT, 1/4 - 20 X 3/4" LG	32
66	00559-G7		WASHER, 1/4"	32
67	00565-G7		LOCK WASHER, 1/4"	32
68	00532-G1		NUT, 1/4 - 20	32
69	14443-G9		CLEVIS PIN, 3/8" X 1 1/8" LG	8
70	10387-G3		COTTER PIN, 3/32" X 3/4" LG	8
71				
72	34523-G03		STAKE SIDE, 44 1/2" (REAR)	1
73	32801-G8		STAKE SIDE, 69" (SIDES)	2
74	32787-G1		RAIL POCKET	8
75	32802-G1		WOOD SPACER	8
76	00130-G9		SCREW, #10 - 13 X 1 1/4" LG	8
77	00414-G6		BOLT, 1/4 - 20 X 3/4" LG	32
78	00559-G7		WASHER, 1/4"	32
79	00565-G7		LOCK WASHER, 1/4"	32
80	00532-G1		NUT, 1/4 - 20	32
81				
82				
83	34633-G01		BED FRAME	1
84	34751-G01		BED SIDE PANEL (DRIVER SIDE)	1
85	34751-G02		BED SIDE PANEL (PASSENGER SIDE)	1
86	34637-G01		TAILGATE	1
87	34639-G01		DECK SUPPORT	1
88	35083-G02		HINGE (FEMALE)	8
89	00976-G03		BOLT, 5/16 - 18 X 1/2" LG (STAINLESS STEEL)	16
90	00642-G8		WASHER, 5/16"	16

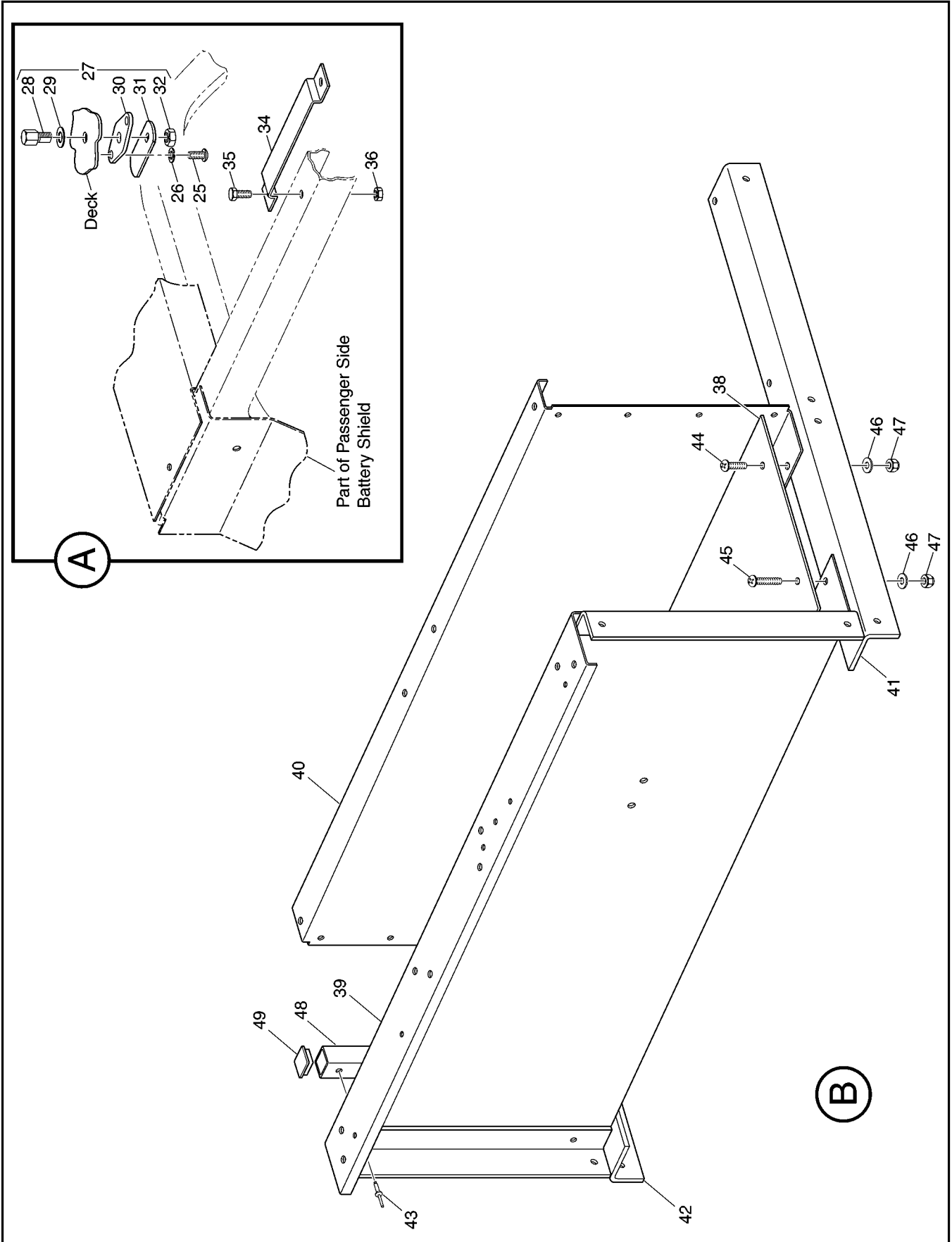


When ordering parts, please specify the model and serial number of the product.
 * Indicates a component that is not available as an individual part.
 G** Indicates consult Customer Service Department for additional information.

ITEM	PART NO.	1 2 3 4 5	DESCRIPTION	QTY.
91	35073-G01		TOGGLE LATCH.....	4
92	00740-G4		SCREW, #10 - 32 X 1/2" LG	16
93	11027-G6		LOCK NUT, #10 - 32	16
94	19853-G1		END CAP, 1"	2
95	00106-G6		SELF THREADING SCREW, #12 - 24 X 3/4" LG	6
96	14382-G4		NOISE SUPPRESSOR	4
97	35099-G01		BRACKET	2
98	16705-G2		BOLT, 1/4 - 20 X 5/8" LG.....	10
99	11027-G2		LOCK NUT, 1/4 - 20	10
100	34645-G01		FRONT DECK PLATE.....	1
101	12064-G1		PUSH NUT, 5/16"	1
102	35092-G01		SUPPORT ROD	1
103	21548-G1		FASTENER CLIP	1
104	00118-G3		SCREW, #6 - 18 X 3/8" LG	1
105	26098-G01		STUD, 1/4 TURN	2
106	26097-G01		RETAINER, 1/4 TURN	2
107	26096-G01		RECEPTACLE.....	2
108	35096-G01		PLASTIC TOOL BOX (OPTIONAL)	1

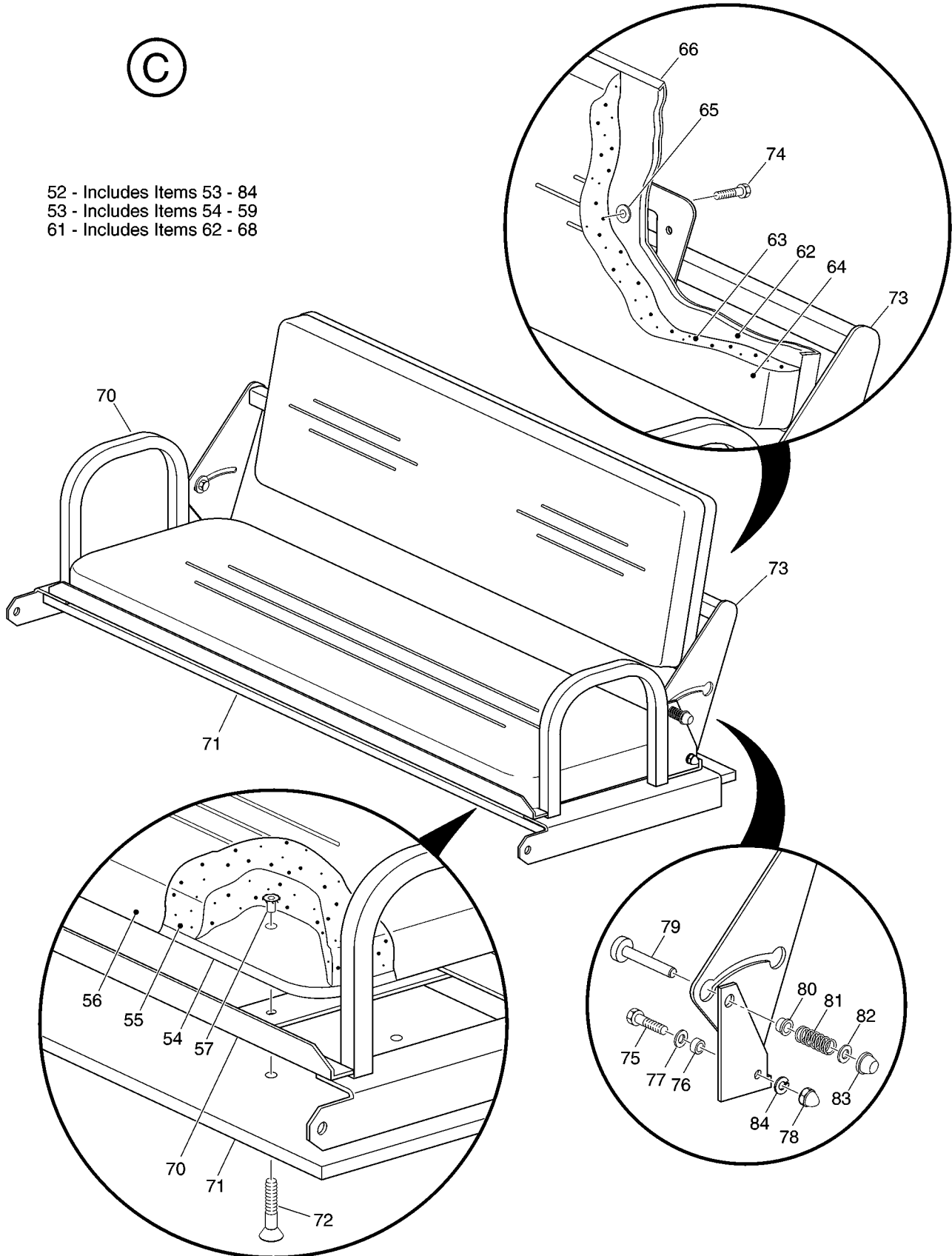




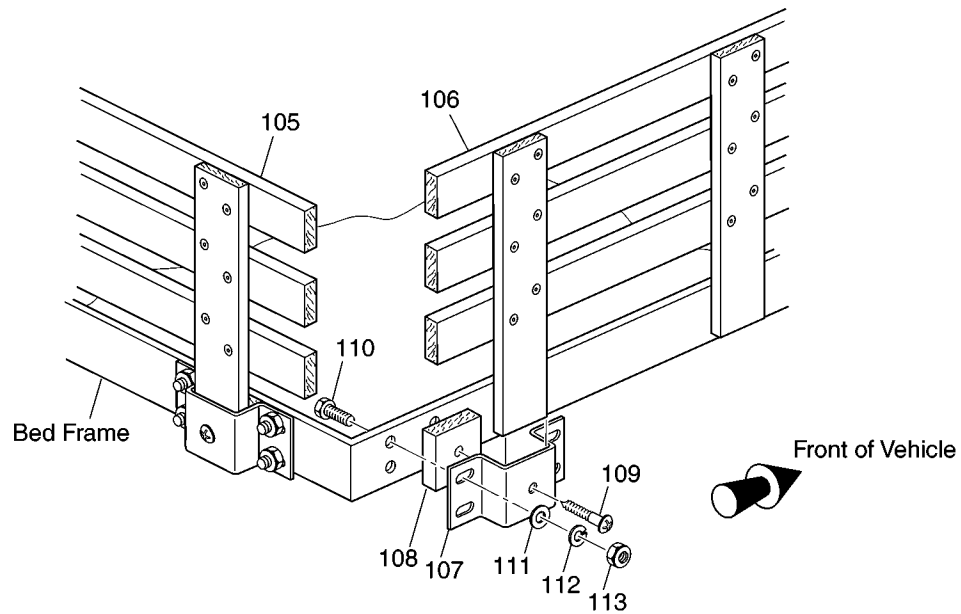
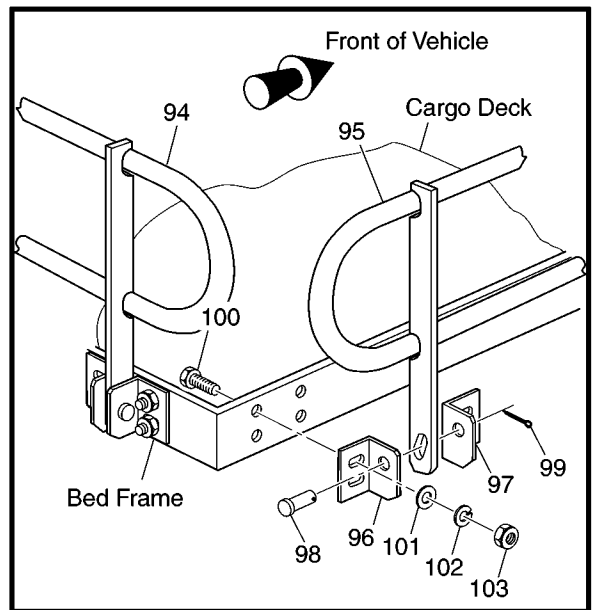
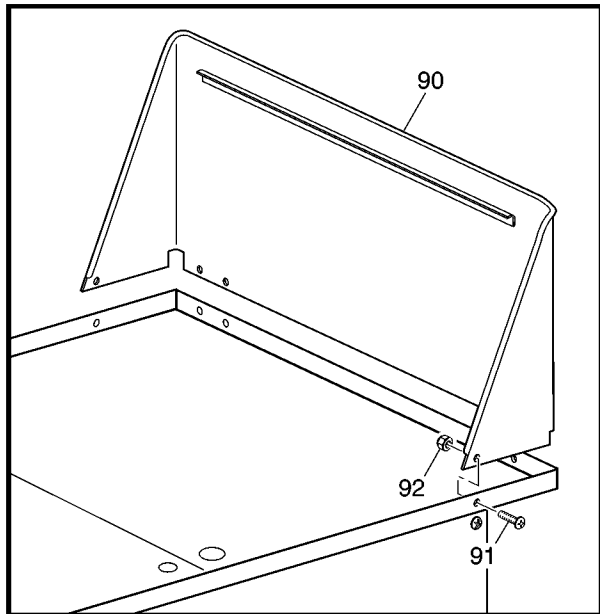
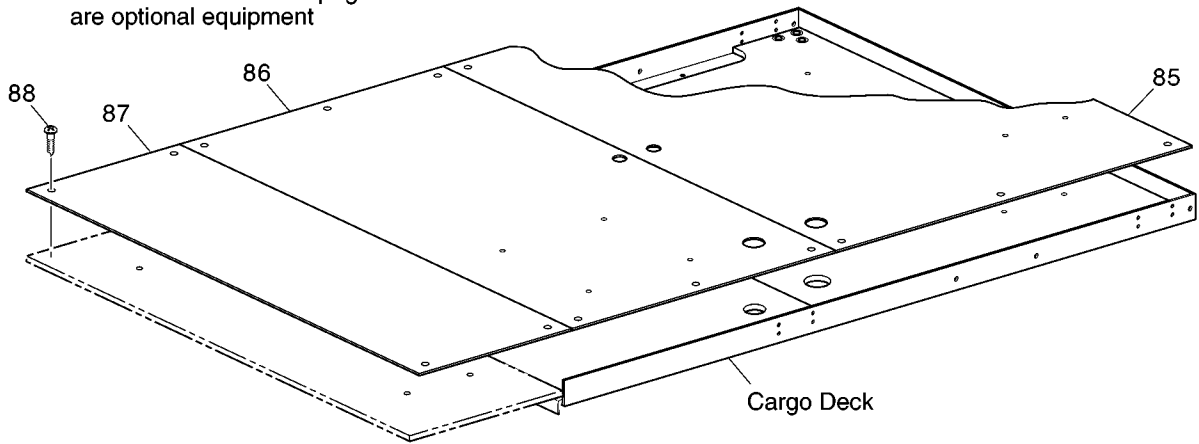


(C)

- 52 - Includes Items 53 - 84
- 53 - Includes Items 54 - 59
- 61 - Includes Items 62 - 68

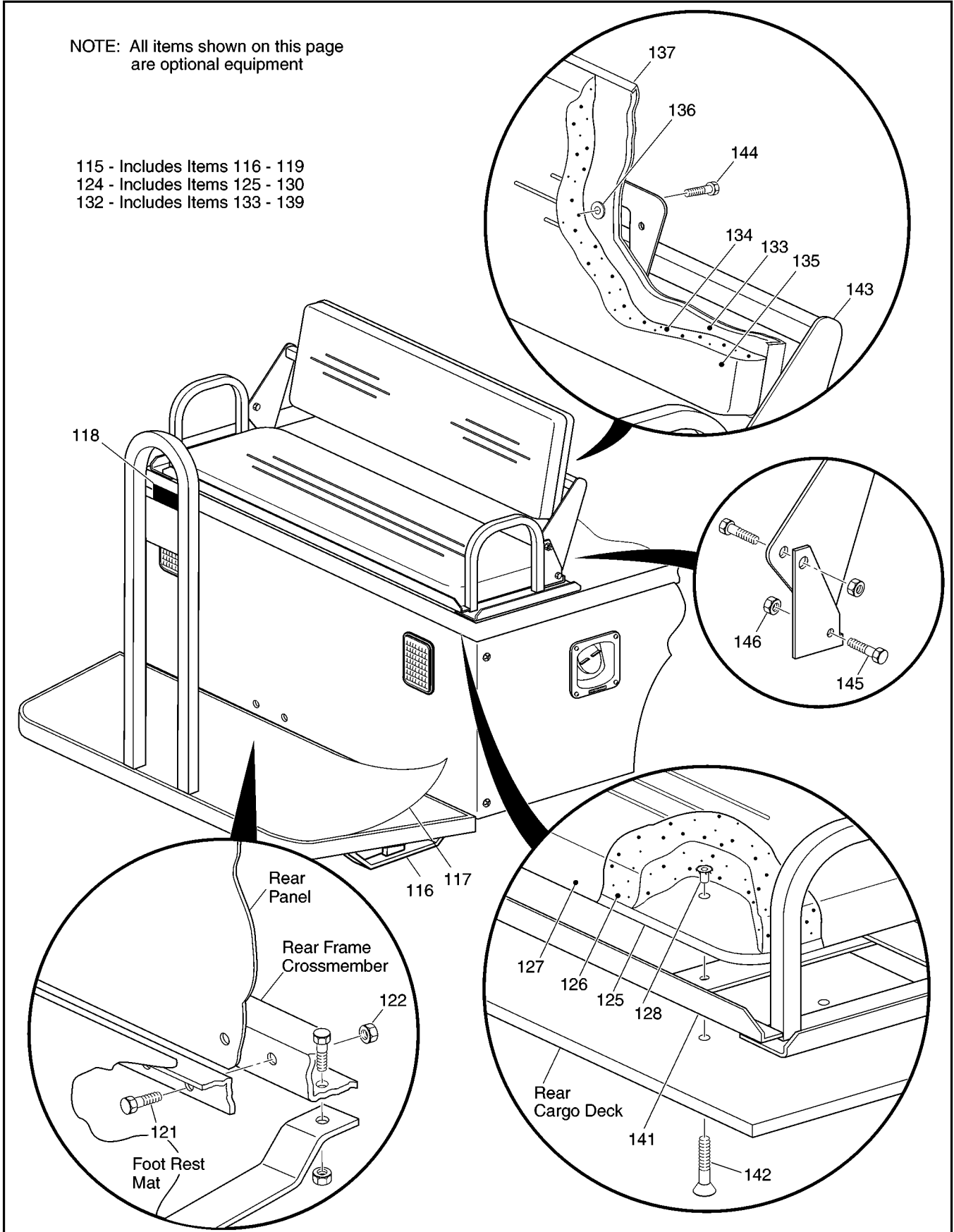


NOTE: All items shown on this page are optional equipment



NOTE: All items shown on this page are optional equipment

- 115 - Includes Items 116 - 119
- 124 - Includes Items 125 - 130
- 132 - Includes Items 133 - 139



When ordering parts, please specify the model and serial number of the product.

* Indicates a component that is not available as an individual part.

G** Indicates consult Customer Service Department for additional information.

ITEM	PART NO.	1 2 3 4 5	DESCRIPTION	QTY.
1	34467-G01		BED FRAME	1
2	16705-G3		SCREW, 1/4 - 20 X 3/4" LG	6
3	00559-G7		WASHER, 1/4"	6
4	00891-G2		LOCK NUT, 1/4 - 20	6
5				
6	35616-G01		CARGO DECK (REAR) (INCLUDES ITEM 7)	1
7	01048-G01		TEE NUT, 1/4 - 20.....	8
8	35613-G01		CARGO DECK (INCLUDES ITEM 9).....	1
9	01048-G01		TEE NUT, 1/4 - 20.....	8
10	34298-G03		HINGE (DRIVER SIDE)	2
11	34298-G04		HINGE (PASSENGER SIDE)	2
12	16705-G2		SCREW, 1/4 - 20 X 5/8" LG	12
13				
14				
15	34416-G01		REAR SIDE PANEL (DRIVER SIDE).....	1
16	34417-G01		FRONT SIDE PANEL (DRIVER SIDE).....	1
17	16705-G3		SCREW, 1/4 - 20 X 3/4" LG	16
18	00915-G1		WASHER, 1/4"	10
19	00559-G7		WASHER, 1/4"	12
20	00891-G2		LOCK NUT, 1/4 - 20	16
21	34416-G02		REAR SIDE PANEL (PASSENGER SIDE)	1
22	34417-G02		FRONT SIDE PANEL (PASSENGER SIDE)	1
23				
24				
25	16705-G2		BOLT, 1/4 - 20 X 5/8".....	4
26	00565-G7		LOCK WASHER, 1/4"	4
27	34430-G01		LATCH ASSEMBLY (INCLUDES ITEMS 28 - 32).....	2
28	34432-G01		LATCH PIN	1
29	34434-G01		WASHER, 3/8"	1
30	34431-G01		LATCH PLATE	1



When ordering parts, please specify the model and serial number of the product.

* Indicates a component that is not available as an individual part.

G** Indicates consult Customer Service Department for additional information.

ITEM	PART NO.	1 2 3 4 5	DESCRIPTION	QTY.
31	34433-G01		LATCH	1
32	14390-G1		LOCK NUT, 3/8 - 24	1
33				
34	34435-G01		DECK SPACER	2
35	00414-G6		BOLT, 1/4 - 20 X 3/4" LG	4
36	14390-G4		LOCK NUT, 1/4 - 20	4
37				
38	34330-G01		FOOT REST	1
39	34379-G01		BULKHEAD SUPPORT	1
40	34378-G01		BED FRAME PANEL SUPPORT	1
41	34327-G01		FOOT REST SUPPORT (DRIVER SIDE)	1
42	34327-G02		FOOT REST SUPPORT (PASSENGER SIDE)	1
43	10570-G11		RIVET, 3/16" X 3/4" LG (STAINLESS STEEL)	4
44	16705-G1		SCREW, 1/4 - 20 X 1" LG	2
45	16705-G9		SCREW, 1/4 - 20 X 1 1/4" LG	2
46	00559-G7		WASHER, 1/4"	4
47	00891-G2		LOCK NUT, 1/4 - 20	4
48	34642-G01		SEAT BED SUPPORT	2
49	75261-G01		END CAP, 3/4"	2
50				
51				
52	34491-G**		DECK/SEAT ASSEMBLY (INCLUDES ITEMS 53 - 84)	1
53	33704-G**		SEAT BACK ASSEMBLY (SEAT BOTTOM) (INCLUDES ITEMS 54 - 59) ...	1
54	33705-G01		PLYWOOD	1
55	26566-G02		FOAM	1
56	26565-G**		COVER	1
57	11782-G2		TEE NUT, 1/4 - 20	4
58	15065-G1		ADHESIVE (NOT ILLUSTRATED)	A/R
59	23222-G1		STAPLE, 3/8" X 3/8" (NOT ILLUSTRATED)	110
60				



When ordering parts, please specify the model and serial number of the product.

* Indicates a component that is not available as an individual part.

G** Indicates consult Customer Service Department for additional information.

ITEM	PART NO.	1	2	3	4	5	DESCRIPTION	QTY.
61	27546-G**						SEAT BACK ASSEMBLY (INCLUDES ITEMS 62 - 68).....	1
62	18951-G1						PLYWOOD	1
63	25433-G4						FOAM.....	1
64	18868-G**						COVER	1
65	11782-G2						TEE NUT, 1/4 - 20	4
66	18144-G3						PLASTIC COVER	1
67	15065-G1						ADHESIVE (NOT ILLUSTRATED)	A/R
68	23222-G1						STAPLE, 3/8" X 3/8" (NOT ILLUSTRATED).....	110
69								
70	34453-G01						SEAT FRAME	1
71	35615-G01						CARGO DECK (STORAGE).....	1
72	00205-G4						SCREW, 1/4 - 20 X 1 1/2" LG.....	4
73	34450-G01						SEAT BACK SUPPORT	1
74	16705-G3						SCREW, 1/4 - 20 X 3/4" LG.....	4
75	00685-G2						BOLT, 5/16 - 18 X 7/8" LG	3
76	34494-G01						SPACER	3
77	00660-G8						WASHER, 5/16"	3
78	00918-G3						ACORN NUT, 5/16 - 18.....	3
79	33179-G02						ACTUATION PIN	1
80	30215-G1						FLANGED NYLON BUSHING.....	1
81	33180-G01						COMPRESSION SPRING.....	1
82	00793-G2						WASHER, 1/4"	1
83	33178-G01						PLASTIC NUT CAP	1
84	00565-G8						LOCK WASHER, 5/16"	3
85	34512-G01						STEEL DECK (REAR)	1
86	34509-G01						STEEL DECK.....	1
87	34511-G01						STEEL DECK (STORAGE).....	1
88	00130-G5						SCREW, #10 - 13 X 5/8" LG	16
89								
90	34540-G01						REAR BULKHEAD	1



When ordering parts, please specify the model and serial number of the product.
 * Indicates a component that is not available as an individual part.
 G** Indicates consult Customer Service Department for additional information.

ITEM	PART NO.	1 2 3 4 5	DESCRIPTION	QTY.
91	16705-G3		SCREW, 1/4 - 20 X 3/4" LG.....	6
92	00891-G2		LOCK NUT, 1/4 - 20	6
93				
94	34296-G01		SIDE RAIL, 43 1/4" (REAR)	1
95	34524-G01		SIDE RAIL, 31 1/4" (SIDES).....	2
96	32795-G1		RAIL SUPPORT	6
97	32795-G2		RAIL SUPPORT	6
98	14443-G9		CLEVIS PIN, 3/8" X 1 1/8" LG	6
99	10387-G3		COTTER PIN, 3/32" X 3/4" LG	6
100	00414-G6		BOLT, 1/4 - 20 X 3/4" LG	24
101	00559-G7		WASHER, 1/4"	24
102	00565-G7		LOCK WASHER, 1/4".....	24
103	00532-G1		NUT, 1/4 - 20	24
104				
105	34523-G03		STAKE SIDE, 44 1/2" (REAR).....	1
106	34523-G04		STAKE SIDE, 34" (SIDE)	2
107	32787-G1		RAIL POCKET.....	6
108	32802-G1		WOOD SPACER	6
109	00130-G9		WOOD SCREW, #10 - 13 X 1 1/4" LG	6
110	00414-G6		BOLT, 1/4 - 20 X 3/4" LG	24
111	00559-G7		WASHER, 1/4"	24
112	00565-G7		LOCK WASHER, 1/4".....	24
113	00532-G1		NUT, 1/4 - 20	24
114				
115	34564-G01		FOOT REST ASSEMBLY (REAR) (INCLUDES ITEMS 116 - 119)	1
116	34258-G01		FOOT REST	1
117	34267-G01		MAT.....	1
118	74132-G01		LABEL (WARNING)	1
119	18600-G1		RUBBER ADHESIVE (NOT ILLUSTRATED).....	A/R
120				



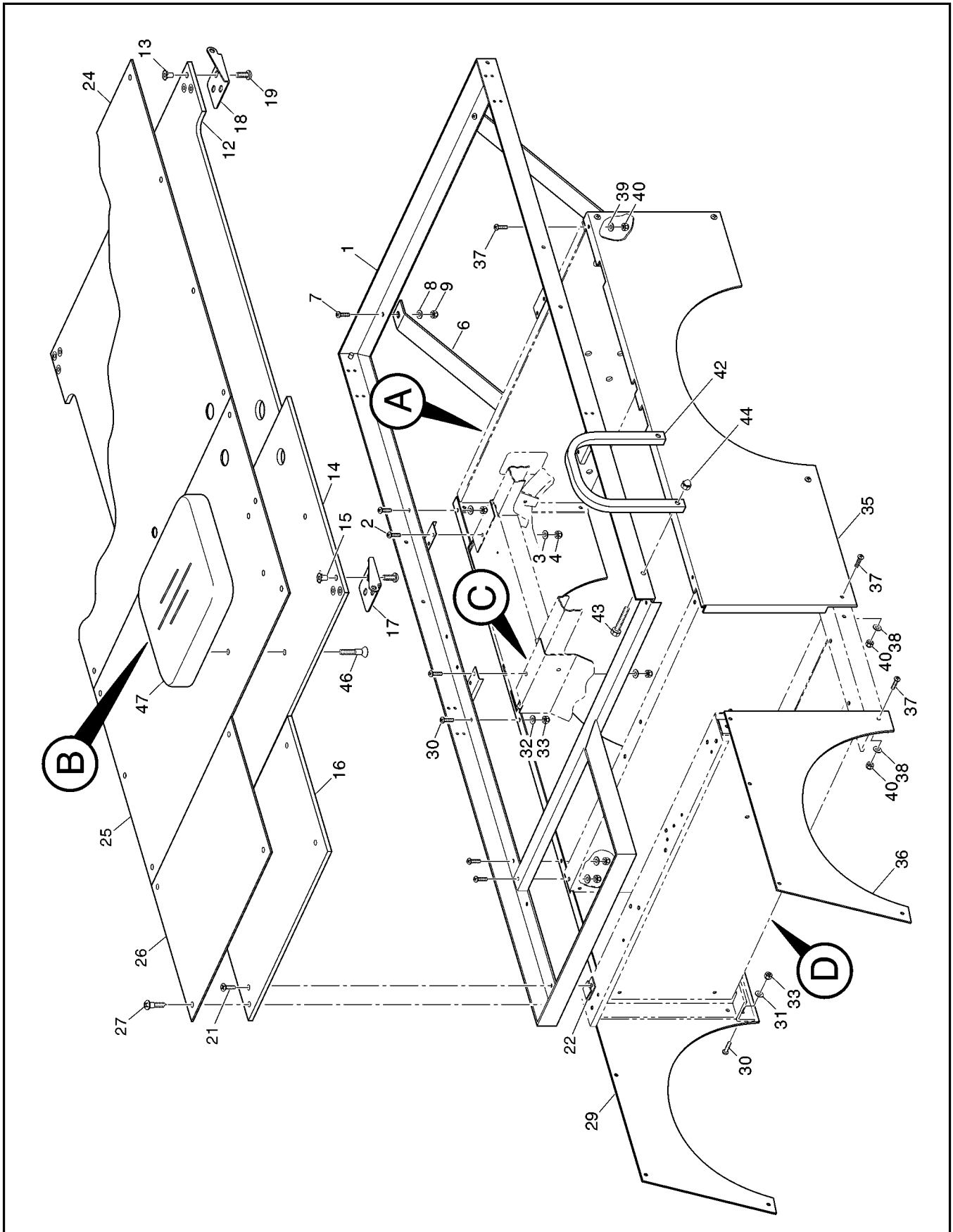
When ordering parts, please specify the model and serial number of the product.

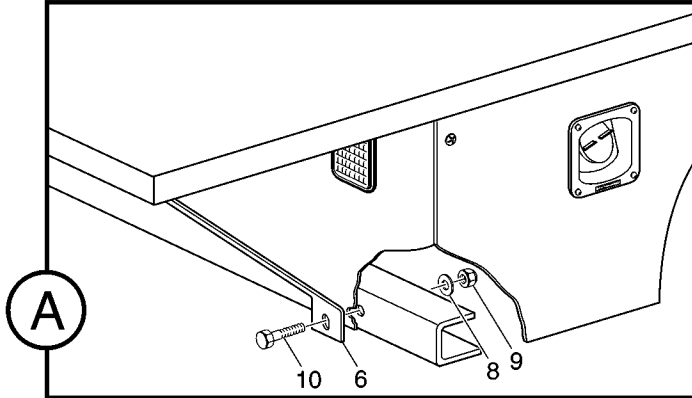
* Indicates a component that is not available as an individual part.

G** Indicates consult Customer Service Department for additional information.

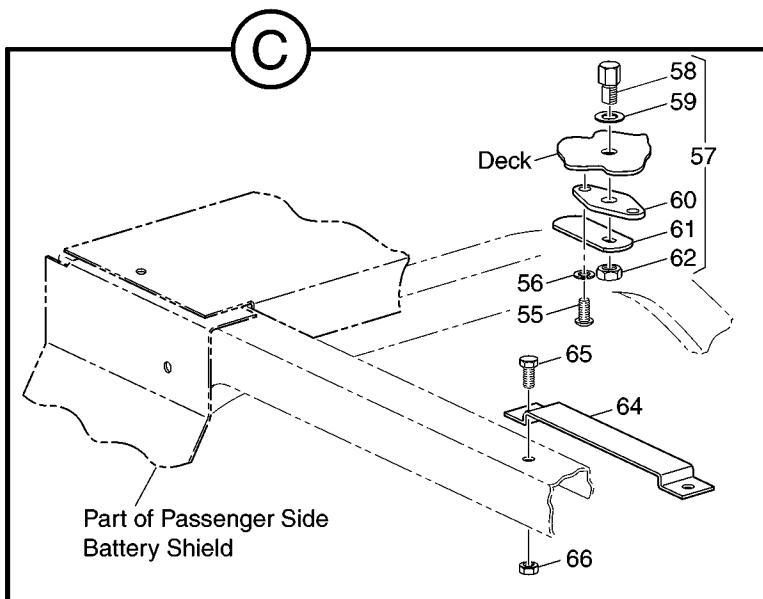
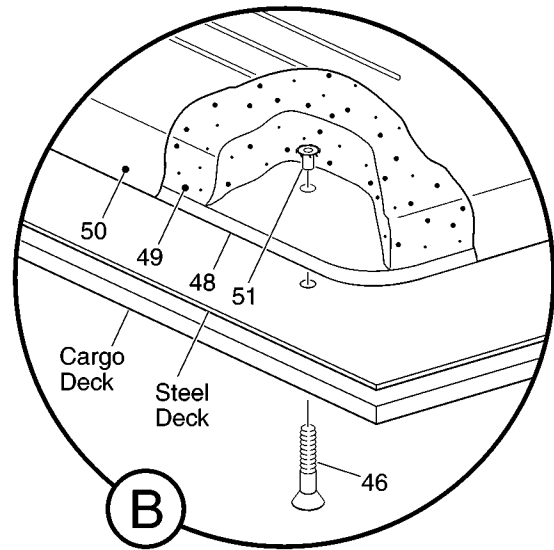
ITEM	PART NO.	1	2	3	4	5	DESCRIPTION	QTY.
121	00665-G2						BOLT, 3/8 - 16 X 1" LG (STAINLESS STEEL)	6
122	11027-G5						LOCK NUT, 3/8 - 16	6
123								
124	33704-G**						SEAT BACK ASSEMBLY (SEAT BOTTOM) (INCLUDES ITEMS 125 - 130).....	1
125	33705-G01						PLYWOOD.....	1
126	26566-G02						FOAM	1
127	26565-G**						COVER	1
128	11782-G2						TEE NUT, 1/4 - 20.....	4
129	15065-G1						ADHESIVE (NOT ILLUSTRATED)	A/R
130	23222-G1						STAPLE, 3/8" X 3/8" (NOT ILLUSTRATED)	110
131								
132	27546-G**						SEAT BACK ASSEMBLY (INCLUDES ITEMS 133 - 139)	1
133	18951-G1						PLYWOOD.....	1
134	25433-G4						FOAM	1
135	18868-G**						COVER (VINYL)	1
136	11782-G2						TEE NUT, 1/4 - 20.....	4
137	18144-G3						PLASTIC COVER.....	1
138	15065-G1						ADHESIVE (NOT ILLUSTRATED)	A/R
139	23222-G1						STAPLE, 3/8" X 3/8" (NOT ILLUSTRATED)	110
140								
141	34568-G01						DECK SEAT FRAME (REAR FACING).....	1
142	00205-G4						SCREW, 1/4 - 20 X 1 1/2" LG	4
143	34569-G01						SEAT BACK SUPPORT	1
144	16705-G3						SCREW, 1/4 - 20 X 3/4" LG	4
145	00685-G2						BOLT, 5/16 - 18 X 7/8" LG.....	4
146	00891-G3						LOCK NUT, 5/16 - 18	4

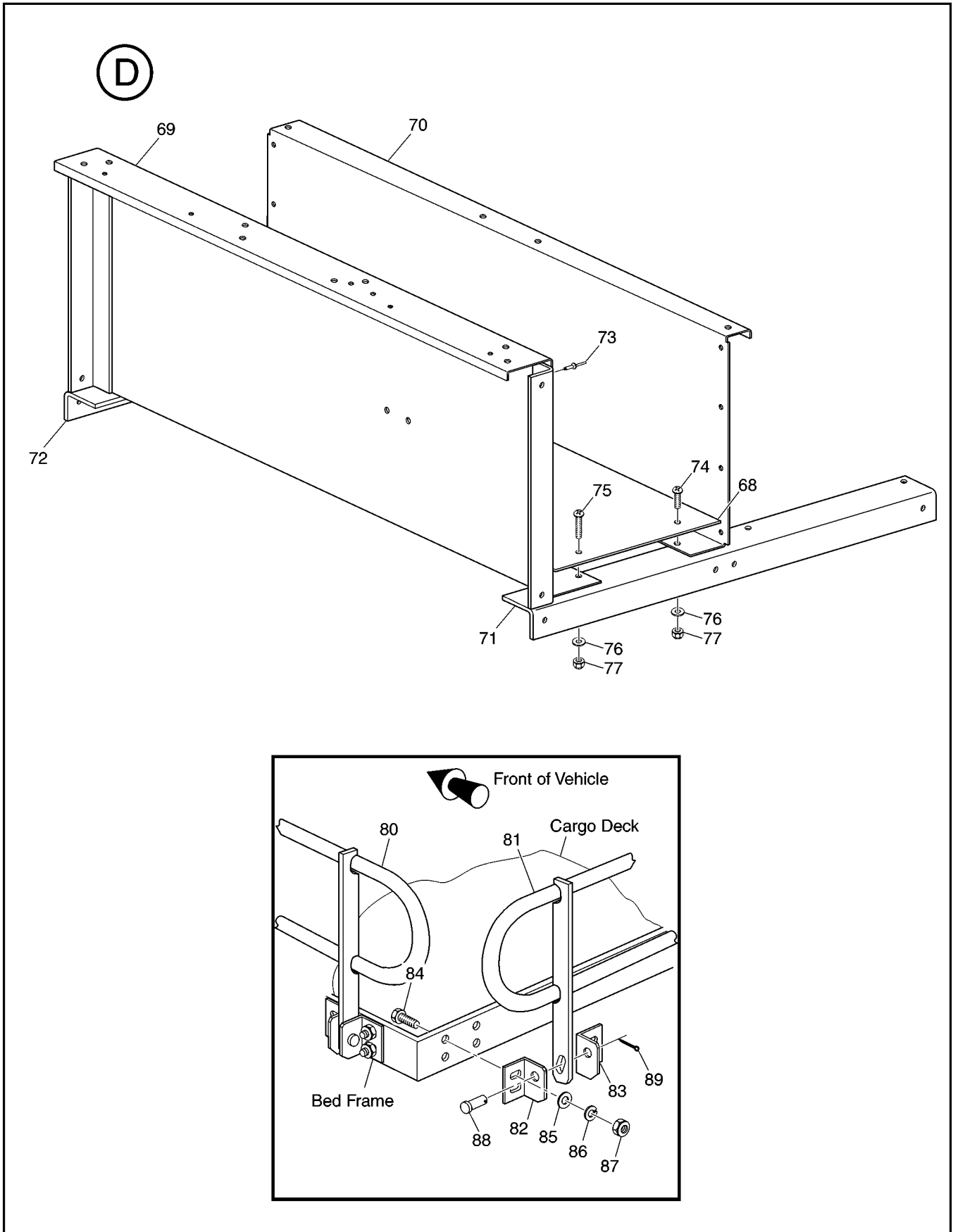






47 - Includes Items 48 - 53





When ordering parts, please specify the model and serial number of the product.

* Indicates a component that is not available as an individual part.

G** Indicates consult Customer Service Department for additional information.

ITEM	PART NO.	1 2 3 4 5	DESCRIPTION	QTY.
1	34482-G01		BED FRAME	1
2	16705-G3		BOLT, 1/4 - 20 X 3/4" LG.....	6
3	00559-G7		WASHER, 1/4"	6
4	00891-G2		LOCK NUT, 1/4 - 20	6
5				
6	34499-G01		BED SUPPORT	2
7	00976-G08		SCREW, 5/16 - 18 X 1" LG	4
8	00660-G8		WASHER, 5/16"	4
9	11098-G6		LOCK NUT, 5/16 - 18	6
10	00685-G4		BOLT, 5/16 - 18 X 1 1/4" LG.....	2
11				
12	35619-G01		CARGO DECK (REAR) (INCLUDES ITEM 13)	1
13	01048-G01		TEE NUT, 1/4 - 20.....	8
14	35618-G01		CARGO DECK (INCLUDES ITEM 15).....	1
15	01048-G01		TEE NUT, 1/4 - 20.....	8
16	35617-G01		CARGO DECK (FORWARD)	1
17	34298-G03		HINGE (DRIVER SIDE)	2
18	34298-G04		HINGE (PASSENGER SIDE).....	2
19	16705-G2		SCREW, 1/4 - 20 X 5/8" LG	12
20				
21	00204-G8		SCREW, 1/4 - 20 X 1" LG	4
22	14776-G1		RETAINER NUT ('J' TYPE).....	4
23				
24	34514-G01		STEEL DECK (REAR)	1
25	34509-G01		STEEL DECK.....	1
26	34513-G01		STEEL DECK (FORWARD)	1
27	00502-G5		SCREW, #10 - 16 X 5/8" LG	18
28				
29	34337-G02		SIDE PANEL (PASSENGER SIDE)	1
30	16705-G3		SCREW, 1/4 - 20 X 3/4" LG	7



SIDE PANELS & CARGO DECK (875AG)

Gasoline Vehicle

When ordering parts, please specify the model and serial number of the product.

* Indicates a component that is not available as an individual part.

G** Indicates consult Customer Service Department for additional information.

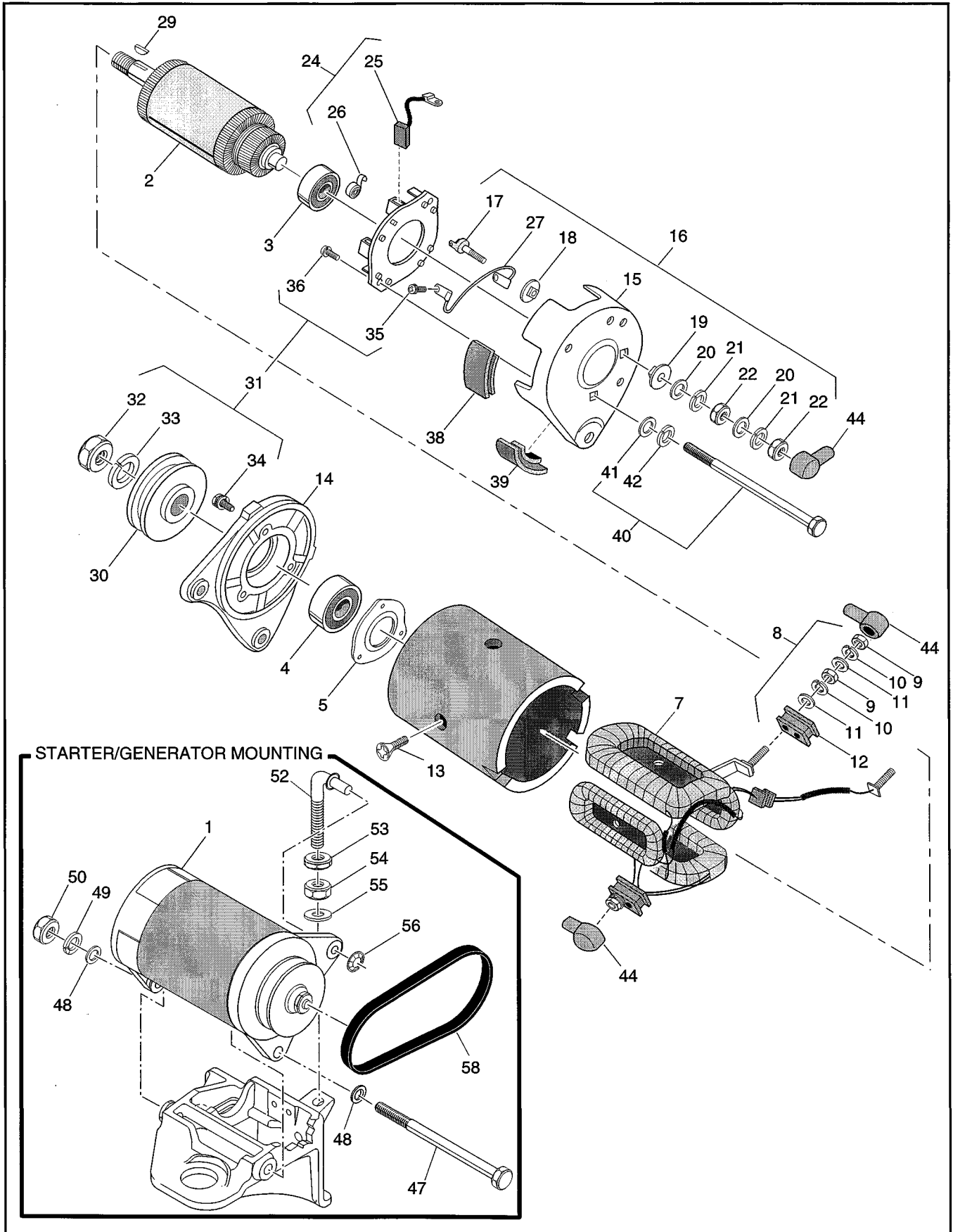
ITEM	PART NO.	1 2 3 4 5	DESCRIPTION	QTY.
31	00660-G7		WASHER, 1/4"	4
32	00559-G7		WASHER, 1/4"	3
33	00891-G2		LOCK NUT, 1/4 - 20	7
34				
35	34416-G01		REAR SIDE PANEL (DRIVER SIDE)	1
36	34417-G01		FRONT SIDE PANEL (DRIVER SIDE)	1
37	16705-G3		SCREW, 1/4 - 20 X 3/4" LG.....	8
38	00915-G1		WASHER, 1/4"	5
39	00559-G7		WASHER, 1/4"	3
40	00891-G2		LOCK NUT, 1/4 - 20	8
41				
42	31880-G1		HAND RAIL	1
43	00685-G4		BOLT, 5/16 - 18 X 1 1/4" LG.....	2
44	00520-G3		ACORN NUT, 5/16 - 18	2
45				
46	16705-G9		SCREW, 1/4 - 20 X 1 1/4" LG.....	4
47	33014-G**		SEAT BOTTOM ASSEMBLY (INCLUDES ITEMS 48 - 53)	1
48	32882-G01		PLYWOOD.....	1
49	26557-G01		FOAM.....	1
50	26558-G**		COVER	1
51	11782-G2		TEE NUT, 1/4 - 20.....	4
52	23222-G1		STAPLE, 3/8" X 3/8" (NOT ILLUSTRATED)	110
53	15065-G1		ADHESIVE (NOT ILLUSTRATED).....	A/R
54				
55	16705-G2		SCREW, 1/4 - 20 X 5/8" LG.....	4
56	00565-G7		LOCK WASHER, 1/4"	4
57	34430-G01		LATCH ASSEMBLY (INCLUDES ITEMS 58 - 62)	2
58	34432-G01		LATCH PIN	1
59	34434-G01		WASHER, 3/8"	1
60	34431-G01		LATCH PLATE	1



When ordering parts, please specify the model and serial number of the product.
 * Indicates a component that is not available as an individual part.
 G** Indicates consult Customer Service Department for additional information.

ITEM	PART NO.	1	2	3	4	5	DESCRIPTION	QTY.
61	34433-G01						LATCH	1
62	14390-G1						LOCK NUT, 3/8-24.....	1
63								
64	34435-G01						DECK SPACER.....	2
65	00414-G6						BOLT, 1/4 - 20 X 3/4" LG.....	4
66	14390-G4						LOCK NUT, 1/4 - 20	4
67								
68	34330-G01						FOOT REST.....	1
69	34379-G01						BULKHEAD SUPPORT	1
70	34378-G01						BED FRAME PANEL SUPPORT	1
71	34327-G01						FOOT REST SUPPORT (DRIVER SIDE).....	1
72	34327-G02						FOOT REST SUPPORT (PASSENGER SIDE)	1
73	10570-G11						RIVET, 3/16" X 3/4" LG (STAINLESS STEEL).....	4
74	16705-G1						SCREW, 1/4 - 20 X 1" LG	2
75	16705-G9						SCREW, 1/4 - 20 X 1 1/4" LG	2
76	00559-G7						WASHER, 1/4"	4
77	00891-G2						LOCK NUT, 1/4 - 20	4
78								
79								
80	32790-G1						SIDE RAIL (67") (DRIVER SIDE).....	1
81	34296-G01						SIDE RAIL (43 1/4") (PASSENGER SIDE AND REAR).....	2
82	32795-G1						RAIL SUPPORT	7
83	32795-G2						RAIL SUPPORT	7
84	00414-G6						BOLT, 1/4 - 20 X 3/4" LG.....	28
85	00559-G7						WASHER, 1/4"	28
86	00565-G7						LOCK WASHER, 1/4"	28
87	00532-G1						NUT, 1/4 - 20	28
88	14443-G9						CLEVIS PIN, 3/8" X 1 1/8" LG.....	7
89	10387-G3						COTTER PIN, 3/32" X 3/4" LG.....	7





When ordering parts, please specify the model and serial number of the product.

* Indicates a component that is not available as an individual part.

G** Indicates consult Customer Service Department for additional information.

ITEM	PART NO.	1 2 3 4 5	DESCRIPTION	QTY.
1	27065-G01		STARTER/GENERATOR (INCLUDES ITEMS 2 - 44).....	1
2	26870-G01		ARMATURE (INCLUDES ITEMS 3 - 5).....	1
3	26871-G01		REAR BALL BEARING	1
4	26872-G01		FRONT BALL BEARING.....	1
5	26873-G01		BEARING HOLDER	1
6				
7	26875-G01		FIELD COIL	1
8	26876-G01		INSULATING BRUSH ASSEMBLY ('F') (INCLUDES ITEMS 9 - 12).....	2
9	*		NUT	2
10	*		LOCK WASHER.....	2
11	*		WASHER.....	2
12	*		INSULATOR	1
13	26877-G01		POLE CORE SETSCREW	4
14	26878-G01		FRONT COVER.....	1
15	16885-G1		REAR COVER.....	1
16	26880-G01		TERMINAL ASSEMBLY ('A') (INCLUDES ITEMS 17 - 22).....	2
17	*		TERMINAL	2
18	*		INSULATOR	2
19	*		INSULATOR	2
20	*		WASHER.....	4
21	*		LOCK WASHER.....	4
22	*		NUT	4
23				
24	26881-G01		BRUSH HOLDER ASSEMBLY (INCLUDES ITEMS 25 - 27)	1
25	26658-G01		BRUSH.....	4
26	26882-G01		BRUSH SPRING.....	4
27	26883-G01		BRUSH CONNECTOR.....	2
28				
29	26884-G01		KEY.....	1
30	26885-G01		PULLEY	1



When ordering parts, please specify the model and serial number of the product.

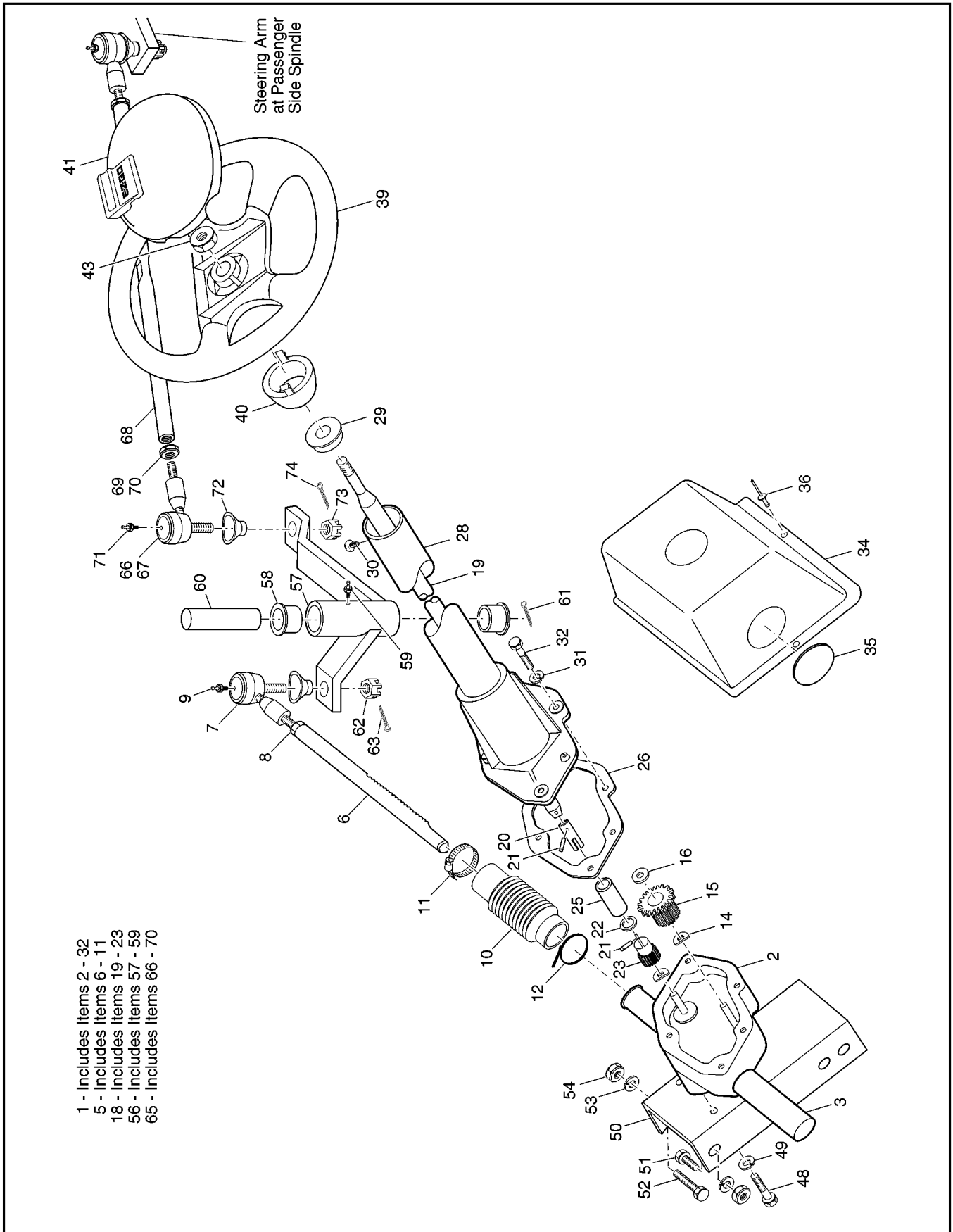
* Indicates a component that is not available as an individual part.

G** Indicates consult Customer Service Department for additional information.

ITEM	PART NO.	1	2	3	4	5	DESCRIPTION	QTY.
31	26886-G01						NUT AND SCREW ASSEMBLY (INCLUDES ITEMS 32 - 36).....	1
32	*						NUT	1
33	*						LOCK WASHER	1
34	*						SCREW	3
35	*						SCREW	4
36	*						SCREW	2
37								
38	26887-G01						BRUSH 1 COVER.....	2
39	26888-G01						BRUSH 2 COVER.....	3
40	26889-G01						BOLT AND WASHER ASSEMBLY (INCLUDES ITEMS 41, 42)	2
41	*						WASHER.....	2
42	*						LOCK WASHER.....	2
43								
44	16896-G1						TERMINAL COVER.....	3
45								
46								
47	00938-G4						BOLT, 1/2 - 13 X 8" LG	1
48	00560-G3						WASHER, 1/2"	2
49	00566-G3						LOCK WASHER, 1/2"	1
50	00533-G1						NUT, 1/2 - 13	1
51								
52	72045-G01						STARTER/GENERATOR ADJUSTER.....	1
53	00544-G5						JAM NUT, 3/8 - 16	1
54	00532-G5						NUT, 3/8 - 16	1
55	00560-G1						WASHER, 3/8"	1
56	12064-G1						PUSH NUT, 5/16"	1
57								
58	26414-G01						STARTER/GENERATOR BELT.....	1







When ordering parts, please specify the model and serial number of the product.
 * Indicates a component that is not available as an individual part.
 G** Indicates consult Customer Service Department for additional information.

ITEM	PART NO.	1 2 3 4 5	DESCRIPTION	QTY.
1	19152-G8		STEERING UNIT (INCLUDES ITEMS 2 - 32).....	1
2	13097-G1		HOUSING (INCLUDES ITEM 3).....	1
3	13570-G2		RACK COVER.....	1
4				
5	15407-G1		RACK AND ROD END (INCLUDES ITEMS 6 - 11).....	1
6	*		STEERING RACK.....	1
7	23278-G1		BALL JOINT AND TIE ROD END.....	1
8	00532-G8		NUT, 7/16 - 20.....	1
9	18456-G1		GREASE FITTING.....	1
10	17617-G1		BELLOWS.....	1
11	11391-G5		CLAMP.....	1
12	17618-G1		WIRE TIE.....	1
13				
14	51294-G1		WAVE WASHER.....	2
15	23279-G1		REDUCTION GEAR.....	1
16	13059-G2		THRUST WASHER.....	1
17				
18	17163-G3		STEERING SHAFT ASSEMBLY (INCLUDES ITEMS 19 - 23).....	1
19	*		STEERING SHAFT.....	1
20	*		COUPLING.....	1
21	*		DOWEL PIN, 1/4" X 5/8" LG.....	2
22	*		THRUST WASHER.....	1
23	*		STEERING PINION.....	1
24				
25	17140-G1		SLEEVE.....	1
26	19154-G1		GASKET.....	1
27				
28	19153-G5		STEERING COLUMN.....	1
29	28569-G01		STEERING COLUMN BUSHING.....	1
30	01022-G01		SCREW, #6 - 20 X 5/16" LG.....	1



When ordering parts, please specify the model and serial number of the product.
 * Indicates a component that is not available as an individual part.
 G** Indicates consult Customer Service Department for additional information.

ITEM	PART NO.	1 2 3 4 5	DESCRIPTION	QTY.
31	00565-G8		LOCK WASHER, 5/16".....	4
32	00444-G8		BOLT, 5/16 - 24 X 1" LG.....	4
33				
34	33423-G01		STEERING COVER.....	1
35	20271-G3		PLUG.....	1
36	14601-G2		RIVET, 3/16" X 5/8" LG (ALUMINUM).....	3
37				
38				
39	71948-G01		STEERING WHEEL.....	1
40	71949-G01		HUB.....	1
41	71950-G01		CLIPBOARD.....	1
42				
43	14390-G2		LOCK NUT, 5/8-18.....	1
44				
45				
46				
47				
48	00276-G6		BOLT, 5/16 - 24 X 3/4" LG.....	3
49	00565-G8		LOCK WASHER, 5/16".....	3
50	34056-G01		STEERING SUPPORT.....	1
51	00438-G7		BOLT, 5/16 - 18 X 7/8" LG.....	5
52	00439-G2		BOLT, 5/16 - 18 X 1 1/4" LG.....	1
53	00559-G8		WASHER, 5/16".....	6
54	11098-G6		LOCK NUT, 5/16 - 18.....	6
55				
56	34093-G01		IDLER ASSEMBLY (INCLUDES ITEMS 57 - 59).....	1
57	34094-G01		IDLER.....	1
58	15012-G1		FLANGED BEARING.....	2
59	10389-G3		GREASE FITTING.....	1
60	33264-G01		IDLER SHAFT.....	1



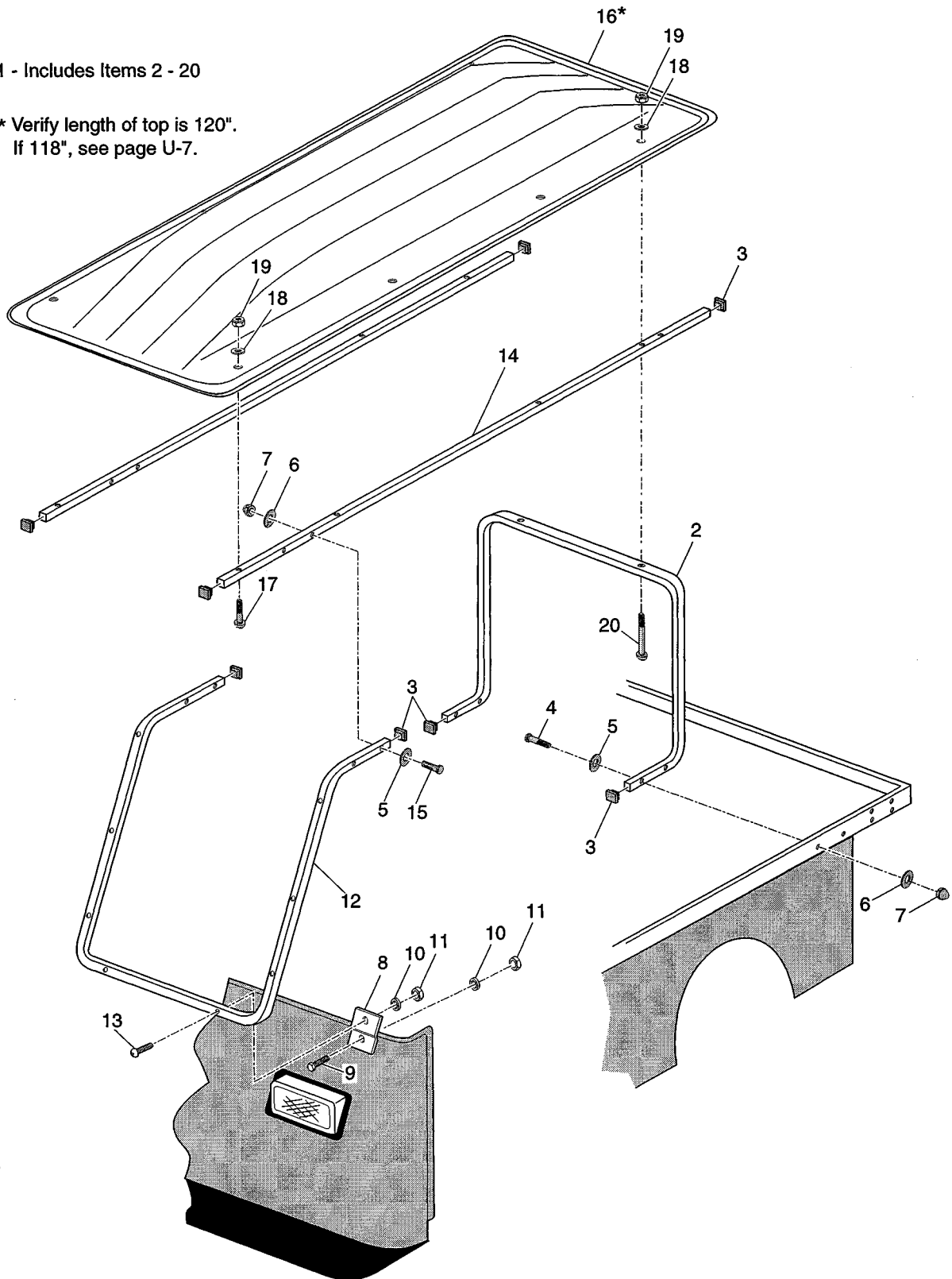
When ordering parts, please specify the model and serial number of the product.
 * Indicates a component that is not available as an individual part.
 G** Indicates consult Customer Service Department for additional information.

ITEM	PART NO.	1 2 3 4 5	DESCRIPTION	QTY.
61	10387-G6		COTTER PIN, 1 1/2" LG	1
62	50209-G1		SLOTTED NUT, 7/16 - 20	1
63	10387-G2		COTTER PIN, 3/32" X 1" LG.....	1
64				
65	34084-G03		TIE ROD (INCLUDES ITEMS 66 - 70).....	1
66	27205-G01		TIE ROD END (LEFT HAND THREADS)	1
67	27205-G02		TIE ROD END (RIGHT HAND THREADS)	1
68	70583-G09		THREADED TUBE WITH FLAT	1
69	18434-G3		JAM NUT, 9/16 - 18 (LEFT HAND THREADS).....	1
70	18434-G4		JAM NUT, 9/16 - 18 (RIGHT HAND THREADS)	1
71	10389-G3		GREASE FITTING	2
72	50641-G1		RUBBER BOOT	2
73	50209-G2		SLOTTED NUT, 7/16 - 20	2
74	10387-G2		COTTER PIN, 3/32" X 1" LG.....	2

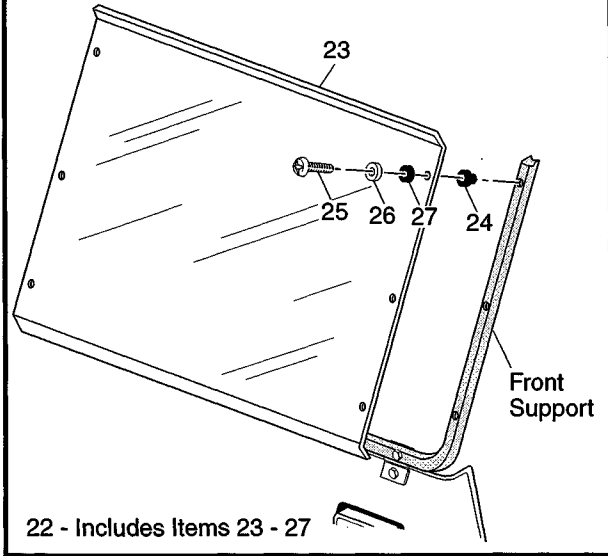


1 - Includes Items 2 - 20

* Verify length of top is 120".
If 118", see page U-7.

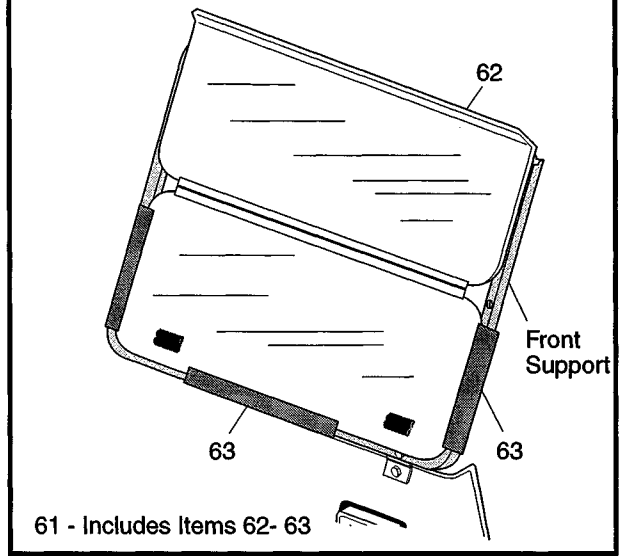


WINDSHIELD COMPONENTS



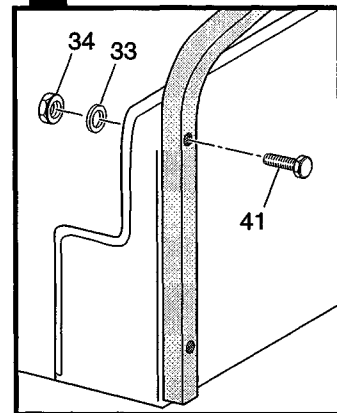
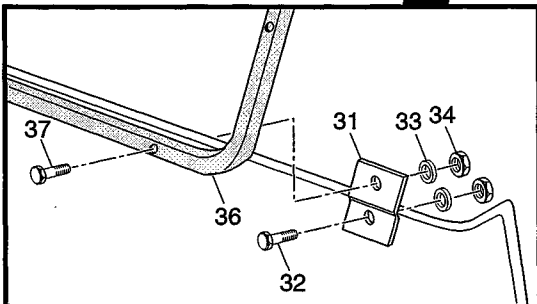
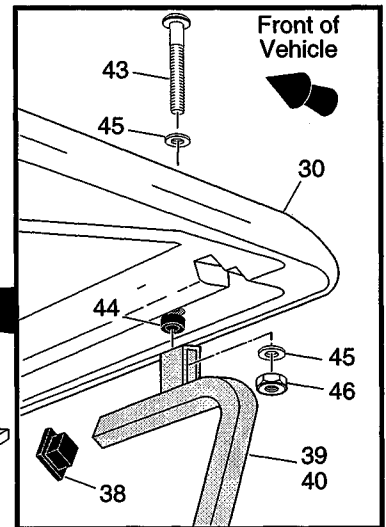
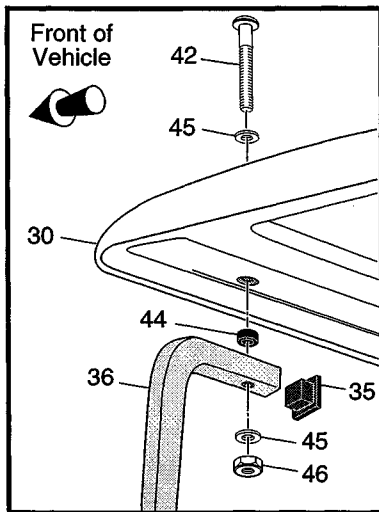
22 - Includes Items 23 - 27

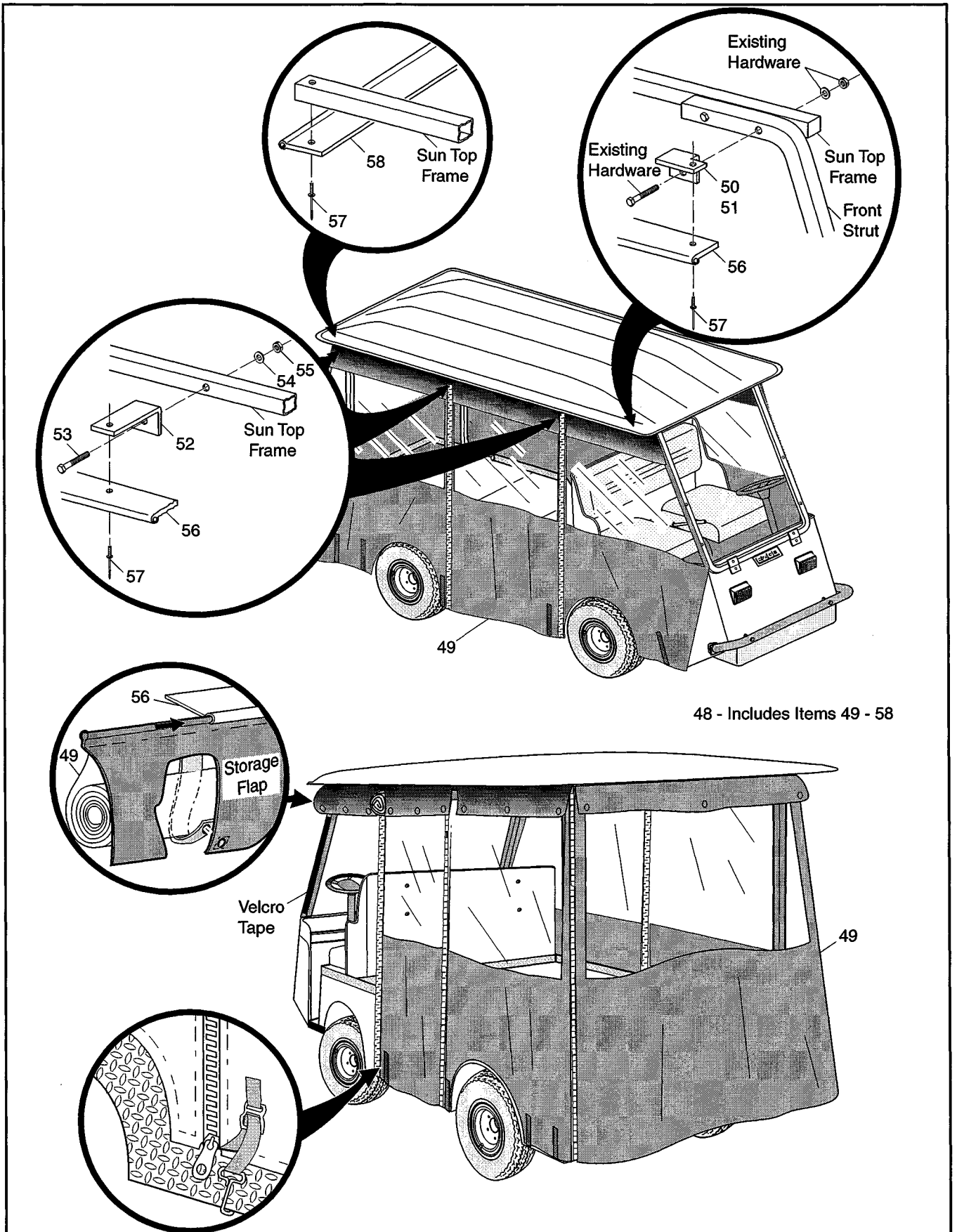
SPLIT WINDSHIELD COMPONENTS



61 - Includes Items 62- 63

29 - Includes Items 30 - 46





When ordering parts, please specify the model and serial number of the product.

* Indicates a component that is not available as an individual part.

G** Indicates consult Customer Service Department for additional information.

ITEM	PART NO.	1 2 3 4 5	DESCRIPTION	QTY.
1	35576-G**		SUN TOP KIT, 120" LONG (FROM 2/99) (INCLUDES ITEMS 2 - 20)	1
2	35540-G01		REAR SUPPORT	1
3	19853-G1		END CAP, 1"	8
4	01043-G04		BOLT, 5/16-18 X 1 3/4" LG., BLACK	4
5	01045-G01		FLAT WASHER, 5/16", BLACK	8
6	00905-G8		LOCK WASHER, 5/16", BLACK	8
7	01046-G01		ACORN NUT, 5/16-18, BLACK	8
8	34563-G01		SUPPORT MOUNT BRACKET	2
9	00438-G8		BOLT, 5/16-18" 1" LG.	2
10	00642-G8		WASHER, 5/16"	4
11	11098-G6		LOCK NUT, 5/16-18	4
12	34562-G01		FRONT SUPPORT	1
13	00762-G4		TRUSS HEAD SCREW, 5/16-18 X 1 1/2" LG.	2
14	35539-G01		TOP FRAME	2
15	01043-G07		BOLT, 5/16-18 X 2 1/2" LG., BLACK	4
16	75530-G0*		TOP	1
17	01044-G04		SCREW, 1/4-20 X 1 3/4" LG., BLACK	6
18	00915-G1		BONDED WASHER, 1/4"	8
19	14390-G4		LOCK NUT, 1/4-20	8
20	01044-G08		SCREW, 1/4-20 X 2 3/4" LG., BLACK	2
21				
22	34678-G01		WINDSHIELD KIT (INCLUDES ITEMS 23 - 27)	1
23	34585-G01		WINDSHIELD	1
24	00739-G1		RUBBER NUT, #10 - 24	6
25	00789-G1		SCREW, #10 - 24 X 1" LG.	6
26	00660-G5		WASHER, #10	6
27	00795-G1		RUBBER WASHER	6
28				
29	34692-G01		SUN TOP KIT (INCLUDES ITEMS 30 - 46)	1
30	27069-G01		SUN TOP	1



When ordering parts, please specify the model and serial number of the product.

* Indicates a component that is not available as an individual part.

G** Indicates consult Customer Service Department for additional information.

ITEM	PART NO.	1 2 3 4 5	DESCRIPTION	QTY.
31	34687-G01		STRUT MOUNTING BRACKET	2
32	00438-G8		BOLT, 5/16 - 18 X 1" LG	2
33	00571-G2		WASHER, 5/16".....	8
34	11098-G6		LOCK NUT, 5/16 - 18.....	8
35	19859-G1		END CAP, 3/4".....	2
36	34664-G01		FRONT STRUT	1
37	00762-G6		BOLT, 5/16 - 18 X 1 3/4" LG	2
38	19853-G1		END CAP, 1".....	2
39	34684-G01		REAR STRUT (DRIVER SIDE)	1
40	34684-G02		REAR STRUT (PASSENGER SIDE).....	1
41	00439-G8		BOLT, 5/16 - 18 X 2" LG	4
42	00753-G4		BOLT, 1/4 - 20 X 1 3/4" LG	2
43	16705-G9		SCREW, 1/4 - 20 X 1 1/4" LG.....	2
44	75051-G01		SPACER.....	4
45	00559-G7		WASHER, 1/4".....	8
46	00891-G2		LOCK NUT, 1/4 - 20.....	4
47				
48	35571-G03		WEATHER ENCLOSURE KIT (FOR 120" TOP) (INCLUDES ITEMS 49 - 58) ...	1
49	35586-G01		CURTAIN SET, WEATHER ENCLOSURE	1
50	35580-G02		FRONT SUPPORT BRACKET (PASSENGER SIDE)	1
51	35580-G01		FRONT SUPPORT BRACKET (DRIVER SIDE)	1
52	35579-G01		SIDE SUPPORT BRACKET	6
53	00415-G4		BOLT, 1/4-20 X 1 1/2" LG.	6
54	00559-G7		WASHER, 1/4".....	6
55	14390-G4		LOCK NUT, 1/4-20.....	6
56	35560-G01		SIDE EXTRUSION	2
57	00852-G1		POP RIVET, 3/16" X 7/16" LG.....	10
58	35561-G01		REAR EXTRUSION.....	1
59				
60				

Replacement parts for the windshield may be obtained from Eagle Parts, Inc. 1811 Wilkinson Rd. Augusta, GA 30904. Telephone (706) 729-9911 or FAX (706) 729-9955

* Indicates a component that is not available as an individual part.

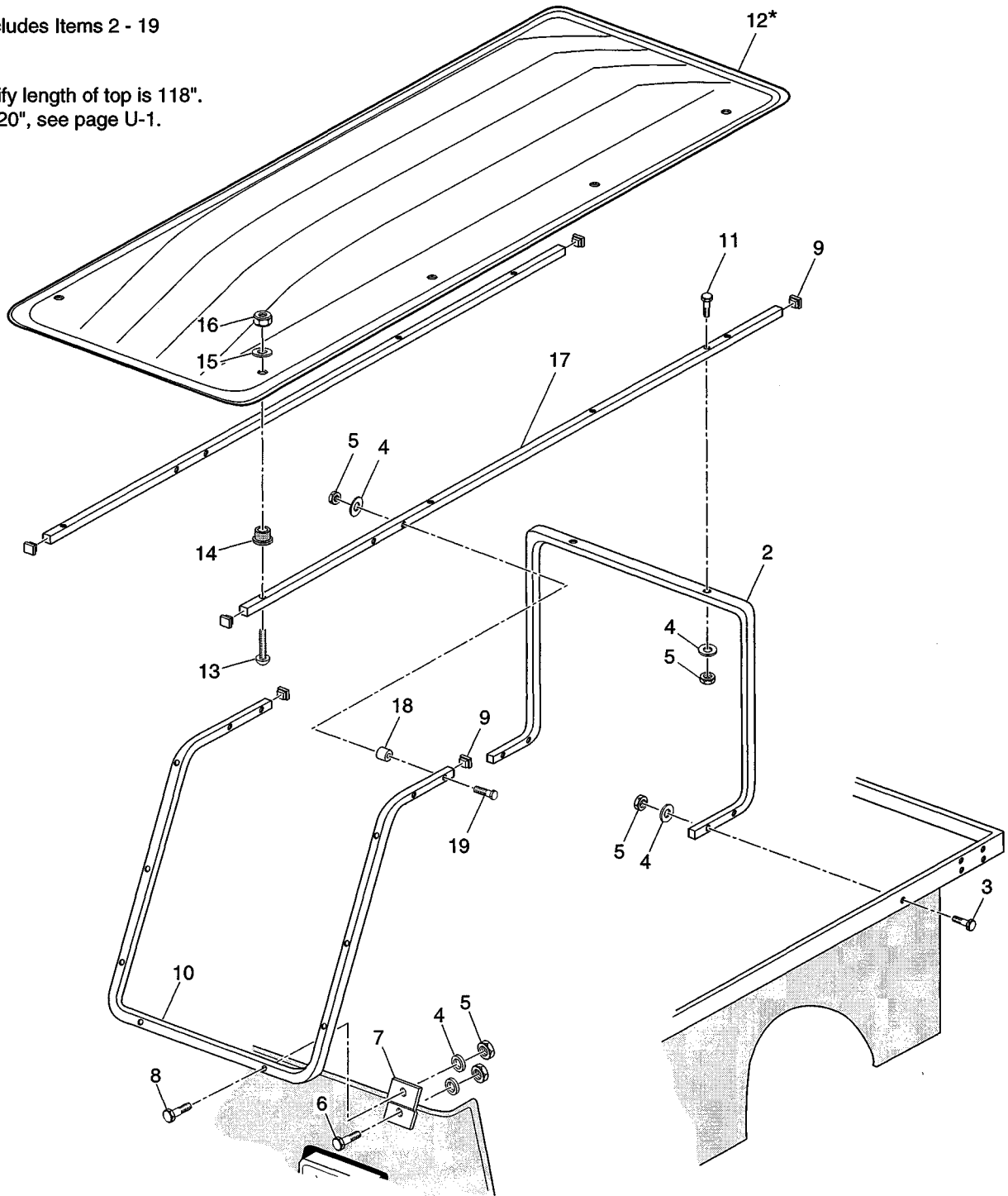
G** Indicates consult Customer Service Department for additional information.

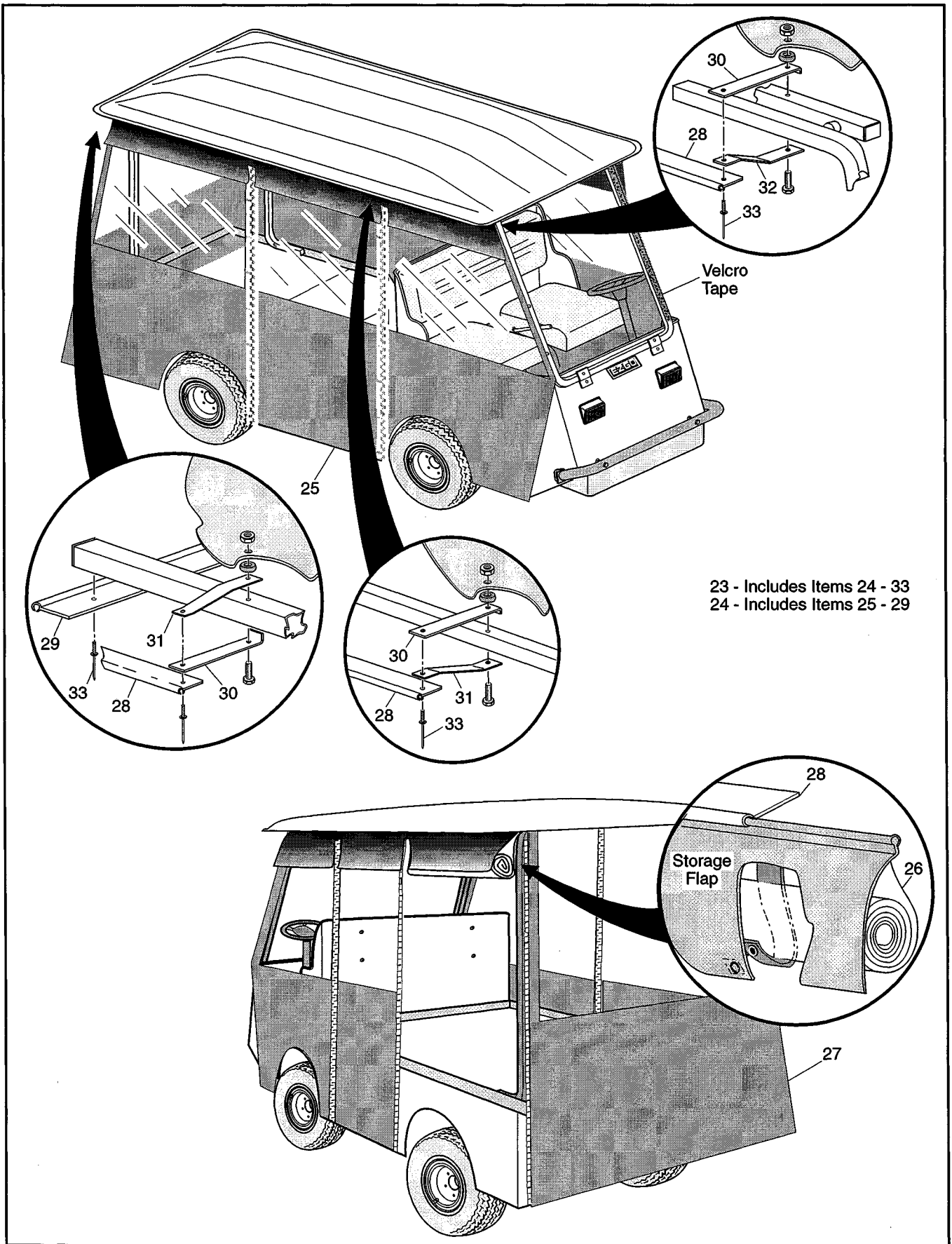
ITEM	PART NO.	1 2 3 4 5 DESCRIPTION	QTY.
61	35585-G01	SPLIT WINDSHIELD KIT (INCLUDES ITEMS 62 - 63)	1
62	E875WSB3	SPLIT WINDSHIELD.....	1
63	EGWHC24	SASH, 14" LG.....	3



1 - Includes Items 2 - 19

* Verify length of top is 118".
If 120", see page U-1.





When ordering parts, please specify the model and serial number of the product.

* Indicates a component that is not available as an individual part.

G** Indicates consult Customer Service Department for additional information.

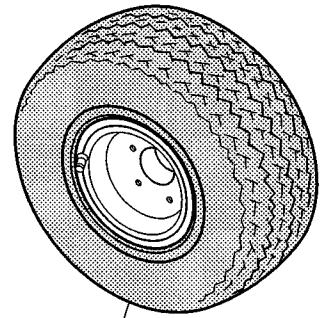
ITEM	PART NO.	1 2 3 4 5	DESCRIPTION	QTY.
1	34584-G**		SUN TOP KIT, 118" LONG (TO 2/99) (INCLUDES ITEMS 2 - 19).....	1
2	34561-G01		REAR SUPPORT	1
3	00439-G6		BOLT, 5/16 - 18 X 1 1/2" LG	4
4	00642-G8		WASHER, 5/16".....	14
5	11098-G6		LOCK NUT, 5/16 - 18.....	14
6	00438-G8		BOLT, 5/16 - 18 X 1" LG	2
7	34563-G01		STRUT MOUNTING BRACKET	2
8	00762-G4		SCREW, 5/16 - 18 X 1 1/2" LG.....	2
9	75261-G02		END CAP, 1".....	6
10	34562-G01		FRONT SUPPORT	1
11	00440-G4		BOLT, 5/16 - 18 X 2 1/2" LG	2
12	75266-G**		SUN TOP.....	1
13	00753-G6		BOLT, 1/4 - 20 X 2 1/4" LG (STAINLESS STEEL).....	8
14	10194-G1		RUBBER BUSHING	8
15	00915-G1		WASHER, 1/4".....	8
16	14390-G4		LOCK NUT, 1/4 - 20.....	8
17	34559-G01		FRAME.....	2
18	75048-G01		SPACER	4
19	00441-G2		BOLT, 5/16 - 18 X 3 1/4" LG	4
20				
21				
22				
23	34677-G**		WEATHER ENCLOSURE KIT (FOR 118" TOP) (INCLUDES ITEMS 24-33)	1
24	34676-G01		WEATHER ENCLOSURE SET (INCLUDES ITEMS 25 - 29).....	1
25	34655-G01		PANEL (PASSENGER SIDE).....	1
26	34655-G02		PANEL (DRIVER SIDE)	1
27	34656-G01		REAR PANEL.....	1
28	34665-G01		SIDE EXTRUSION, 103 3/4".....	2
29	34666-G01		REAR EXTRUSION, 40"	1
30	34652-G01		LOWER SUPPORT BRACKET	8

When ordering parts, please specify the model and serial number of the product.
 * Indicates a component that is not available as an individual part.
 G** Indicates consult Customer Service Department for additional information.

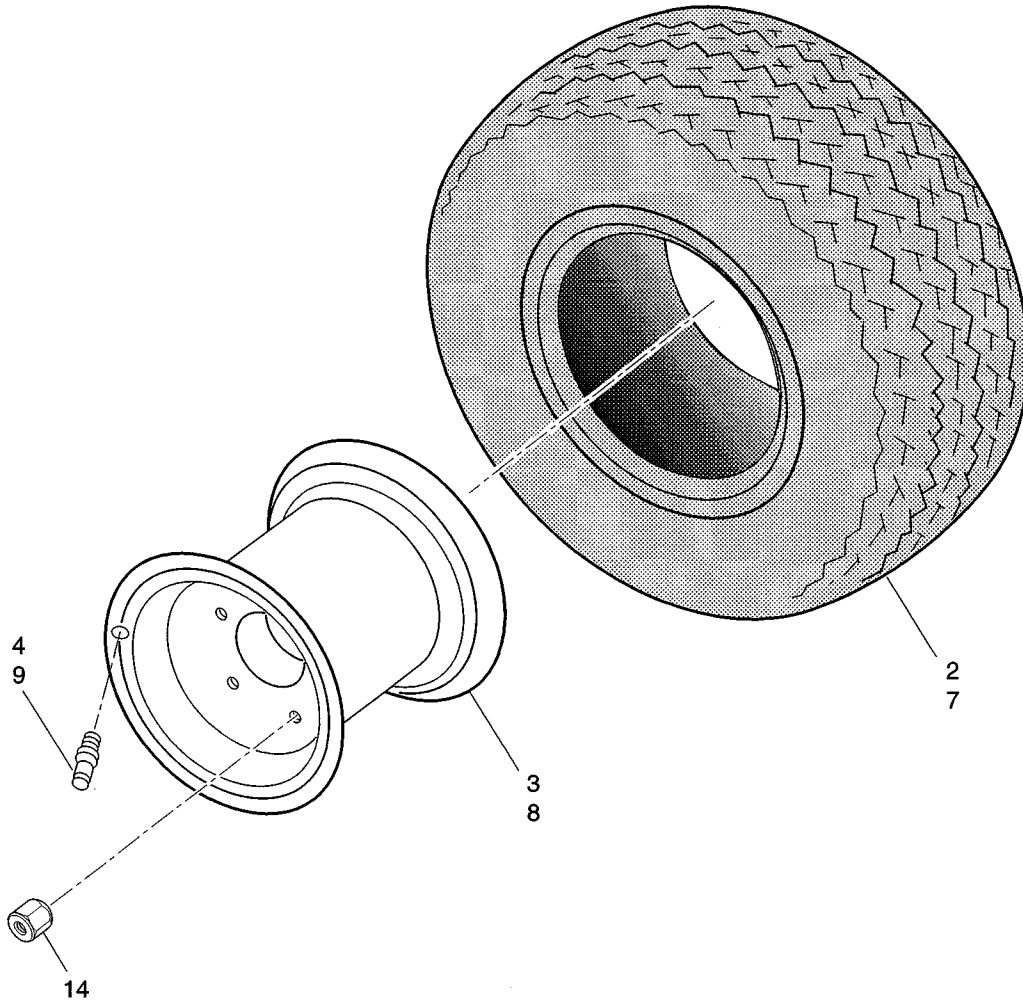
ITEM	PART NO.	1	2	3	4	5	DESCRIPTION	QTY.
31	34653-G01						UPPER SUPPORT BRACKET.....	6
32	34654-G01						FRONT SUPPORT BRACKET.....	2
33	00852-G1						RIVET, 3/16" X 7/16" LG.....	10



1 - Includes Items 2 - 4
6 - Includes Items 7 - 9



11
12



When ordering parts, please specify the model and serial number of the product.

* Indicates a component that is not available as an individual part.

G** Indicates consult Customer Service Department for additional information.

ITEM	PART NO.	1 2 3 4 5	DESCRIPTION	QTY.
1	32028-G2		WHEEL AND TIRE ASSEMBLY (USA TRAIL 8.5 X 8.5 - 6) (STANDARD) (INCLUDES ITEMS 2 - 4)	4
2	27775-G02		TIRE (USA TRAIL 8.5 X 8.5 - 6)	1
3	10641-G2		RIM (5 LUG)	1
4	11657-G1		VALVE STEM.....	1
5				
6	32153-G2		WHEEL AND TIRE ASSEMBLY (USA TRAIL, LRC, 5.70-8 - OPTIONAL) (INCLUDES ITEMS 17 - 19)	4
7	27784-G03		TIRE.....	1
8	23385-G1		RIM (5 LUG)	1
9	26482-G01		VALVE STEM.....	1
10				
11	35154-G01		WHEEL AND TIRE ASSEMBLY (FOAM FILLED, 5.70-8 - OPTIONAL)	4
12	35155-G01		WHEEL AND TIRE ASSEMBLY (FOAM FILLED, LRC 18.5 X 8.5-8 - OPTIONAL)	4
13				
14	14723-G1		LUG NUT, 1/2 - 20.....	20



SPECIALTY PRODUCTS

SPECIALTY PRODUCTS

SPECIALTY PRODUCTS

SPECIAL TOOLS

PART NO.

HIGH RESISTANCE SPARK PLUG WIRE SET.....	26733-G02
CLUTCH PULLER (2 PRONG).....	19779-G1
CLUTCH PULLER (3 PRONG - 4 CYCLE).....	19779-G2
FLYWHEEL PULLER.....	27111-G01
CAM PULLEY TOOL.....	27851-G01
CURRENT INDICATOR.....	16489-G2
DIGITAL MULTI-METER.....	27481-G01
CRIMPING TOOL.....	27765-G01
SLIDE HAMMER (AXLE/HUB REMOVAL).....	15947-G1
SLIDE HAMMER (AXLE REMOVAL ONLY).....	18753-G1
VALVE SEAT CUTTER KIT.....	72516-G01
FLEX-HONE CYLINDER HONE - 240 GRIT.....	72517-G01
FLEX-HONE HONING OIL - 1 QUART.....	72518--G01
FLEX-HONE CLEANING BRUSH.....	72519-G01
PISTON RING INSTALLER.....	72521-G01
VALVE GRINDER - CUP TYPE.....	72522-G01
GRINDING COMPOUND - 280/320 GRIT.....	72523-G01
COMPRESSION TESTER.....	72524-G01
FEELER GAUGE.....	72525-G01
TACHOMETER.....	72526-G01

ENGINE OIL

4 CYCLE ENGINE OIL, 5 GALLON.....	25730-G03
4 CYCLE ENGINE OIL, 12 QUART CASE.....	25730-G04
4 CYCLE ENGINE OIL, 1 QUART BOTTLE.....	25730-G06

PAINT

.6 OUNCE BRUSH ON PAINT - HUNTER GREEN.....	28432-G02
.6 OUNCE BRUSH ON PAINT - INDUSTRIAL YELLOW.....	28432-G03
12 OUNCE SPRAY - HUNTER GREEN.....	28140-G09
12 OUNCE SPRAY - INDUSTRIAL YELLOW.....	28140-G14

SPECIALTY PRODUCTS

PERFORMANCE PRODUCTS	PART NO.
FORMULA 40 VINYL-COAT® - WHITE	28166-G01
“PLEXUS”® CLEANER, 7 OUNCE (FOR WINDSHIELDS)	28433-G01
“PLEXUS”® CLEANER, 13 OUNCE (FOR WINDSHIELDS)	28433-G02
BATTERY PROTECTOR, 14 OUNCE SPRAY	75500-G01
CARBURETOR & CHOKE CLEANER, 15 OUNCE SPRAY	75501-G01
WHITE LITHIUM GREASE, 14 OUNCE SPRAY	75502-G01
PENETRANT/LUBRICANT, 15 OUNCE SPRAY	75503-G01
MULTI-PURPOSE CLEANER & DEGREASER, 14 OUNCE SPRAY	75504-G01
MULTI-PURPOSE HAND CLEANER, 32 OUNCE LIQUID	75505-G01
BATTERY CLEANER, 32 OUNCE WITH TRIGGER SPRAYER	75506-G01
BIO-DEGRADABLE CLEANER, 32 OUNCE W/ TRIGGER SPRAYER	75507-G01
MULTI-PURPOSE VALUE PACK	75508-G01
• BATTERY PROTECTOR, 4 OUNCE SPRAY	
• PENETRANT/LUBRICANT, 4 OUNCE SPRAY	
• WHITE LITHIUM GREASE, 4 OUNCE SPRAY	
• CARBURETOR & CHOKE CLEANER, 4 OUNCE SPRAY	



SPECIALTY PRODUCTS

ACCESSORIES

ACCESSORIES LISTING

ACCESSORIES

ACCESSORIES LISTING	KIT NO.	
SEAT SWITCH KIT	34582-G02.....	See Section ELECTRICAL
FRONT BUMPER KIT	34581-G02.....	See Section BODY
REAR BUMPER KIT	34547-G02.....	See Section BODY
FULL LENGTH SUN TOP KIT (WHITE)	34584-G01.....	See Section WEATHER PROTECTION
FULL LENGTH SUN TOP KIT (CHAMPAGNE).....	34584-G02.....	See Section WEATHER PROTECTION
SUN TOP KIT.....	34692-G01.....	See Section WEATHER PROTECTION
PINTLE HITCH KIT	34544-G02.....	See Section BODY
'E' HITCH KIT.....	34543-G02.....	See Section BODY
STAKE SIDE KIT (FOR 875 ONLY)	34522-G01.....	See Section SIDE PANELS AND CARGO DECK (875)
STAKE SIDE KIT (FOR 875-P ONLY)	34522-G02.....	See Section SIDE PANELS AND CARGO DECK (875-P)
DROP SIDE KIT (FOR 875 ONLY)	32793-G1.....	See Section SIDE PANELS AND CARGO DECK (875)
DROP SIDE KIT (FOR 875-P ONLY).....	34538-G01.....	See Section SIDE PANELS AND CARGO DECK (875-P)
STEEL DECK (FOR 875 ONLY)	34506-G01.....	See Section SIDE PANELS AND CARGO DECK (875)
STEEL DECK (FOR 875-P ONLY).....	34506-G02.....	See Section SIDE PANELS AND CARGO DECK (875-P)
REAR BULKHEAD (FOR 875 AND 875-P)	34539-G01.....	See Sections SIDE PANELS AND CARGO DECK (875-P) and SIDE PANELS AND CARGO DECK (875)
CURTIS CAB WITH DOORS.....	34648-G01.....	See Section CAB AND VAN BOX
CURTIS CAB WITHOUT DOORS	34648-G02.....	See Section CAB AND VAN BOX
CURTIS CAB DOOR SET	34650-G01.....	See Section CAB AND VAN BOX
CURTIS VAN BOX (GXI 875 ONLY)	34649-G01.....	See Section CAB AND VAN BOX
CURTIS CAB MIRROR	37924-G01.....	See Section CAB AND VAN BOX
INTERIOR REAR VIEW MIRROR.....	34651-G01.....	See Section CAB AND VAN BOX



a **TEXTRON** Company

E-Z-GO Division of Textron Inc.

P.O. Box 388 Augusta, Georgia USA 30903-0388

Inside USA Phone: 1-800-227-7029, FAX: 1-800-752-6175

Outside USA Phone: 010-1-706-798-4311, FAX: 010-1-706-771-4601

Copyrighted Material
This manual may not be reproduced in whole or
in part without the express permission of
E-Z-GO Division of Textron Inc.
Technical Communications Department