



A Textron Company

EXPRESS S4 HIGH OUTPUT **Service Parts Manual**

48V ELECTRIC POWERED VEHICLE



635086-AH

ISSUED JUNE 2014

REVISED SEPTEMBER 2019

SERVICE PARTS MANUAL

48V ELECTRIC POWERED VEHICLE

EXPRESS S4 HIGH OUTPUT

STARTING MODEL YEAR 2014

CALIFORNIA Proposition 65 Warning

WARNING: Engine exhaust, some of its constituents, and certain vehicle components contain or emit chemicals known to the State of California to cause cancer and birth defects or other reproductive harm. In addition, certain fluids contained in vehicles and certain products of component wear contain or emit chemicals known to the State of California to cause cancer and birth defects or other reproductive harm.

DISCLAIMER: The E-Z-GO Division of Textron Inc. (E-Z-GO) reserves the right to incorporate engineering and design changes to products in this Manual, without obligation to include these changes on units leased/sold previously.

The information contained in this Manual may be revised periodically E-Z-GO, and therefore is subject to change without notice.

E-Z-GO DISCLAIMS LIABILITY FOR ERRORS IN THIS MANUAL, and E-Z-GO SPECIFICALLY DISCLAIMS LIABILITY FOR INCIDENTAL AND CONSEQUENTIAL DAMAGES RESULTING FROM THE USE OF THE INFORMATION AND MATERIALS IN THIS MANUAL.

TO CONTACT US

NORTH AMERICA:

TECHNICAL ASSISTANCE & WARRANTY PHONE: 1-800-774-3946, FAX: 1-800-448-8124

SERVICE PARTS PHONE: 1-888-GET-EZGO (1-888-438-3946), FAX: 1-800-752-6175

INTERNATIONAL: PHONE: 001-706-798-4311, FAX: 001-706-771-4609

E-Z-GO DIVISION OF TEXTRON INC., 1451 MARVIN GRIFFIN RD., AUGUSTA, GEORGIA USA 30906-3852

GENERAL INFORMATION

To obtain a copy of the limited warranty applicable to the vehicle, call or write a local Distributor, authorized Branch or the Warranty Department with vehicle serial number and manufacturer code.

The use of non Original Equipment Manufacturer (OEM) parts may void the warranty.

Overfilling of batteries may void the warranty.

BATTERY PROLONGED STORAGE

All batteries will self discharge over time. The rate of self discharge varies depending on the ambient temperature and the age and condition of the batteries.

A fully charged battery will not freeze in winter temperatures unless the temperature falls below -75° F (-60° C).

As with all electric vehicles, the batteries must be checked and recharged as required or at a minimum of 30 day intervals.

BATTERY DISPOSAL

Lead-acid batteries are recyclable. Return whole scrap batteries to distributor, manufacturer or lead smelter for recycling. For neutralized spills, place residue in acid-resistant containers with absorbent material, sand or earth and dispose of in accordance with local, state and federal regulations for acid and lead compounds. Contact local and/or state environmental officials regarding disposal information.

TABLE OF CONTENTS

SECTION	Page No.
HOW TO USE THE SERVICE PARTS MANUAL.....	v
ACCELERATOR.....	A
BATTERY CHARGER.....	B
BODY.....	C
BRAKES.....	D
ELECTRICAL SYSTEM.....	E
ELECTRONIC SPEED CONTROL.....	F
FRONT SUSPENSION AND STEERING.....	G
MOTOR.....	H
REAR AXLE.....	J
REAR SUSPENSION.....	K
SEATING.....	L
WEATHER PROTECTION.....	M
WHEELS AND TIRES.....	N

NOTES

A large grid of graph paper for taking notes, consisting of 20 columns and 30 rows of small squares.

HOW TO USE THE SERVICE PARTS MANUAL

This manual is divided into several sections:

- GENERAL INFORMATION
- ILLUSTRATED PARTS BREAKDOWN
- APPENDIX

The first section, GENERAL INFORMATION, contains the following information:

- WARRANTY INFORMATION
- GENERAL INDEX
- HOW TO USE THE SERVICE PARTS MANUAL

The second section, ILLUSTRATED PARTS BREAKDOWN, contains illustrations and parts lists for all systems of your vehicle.

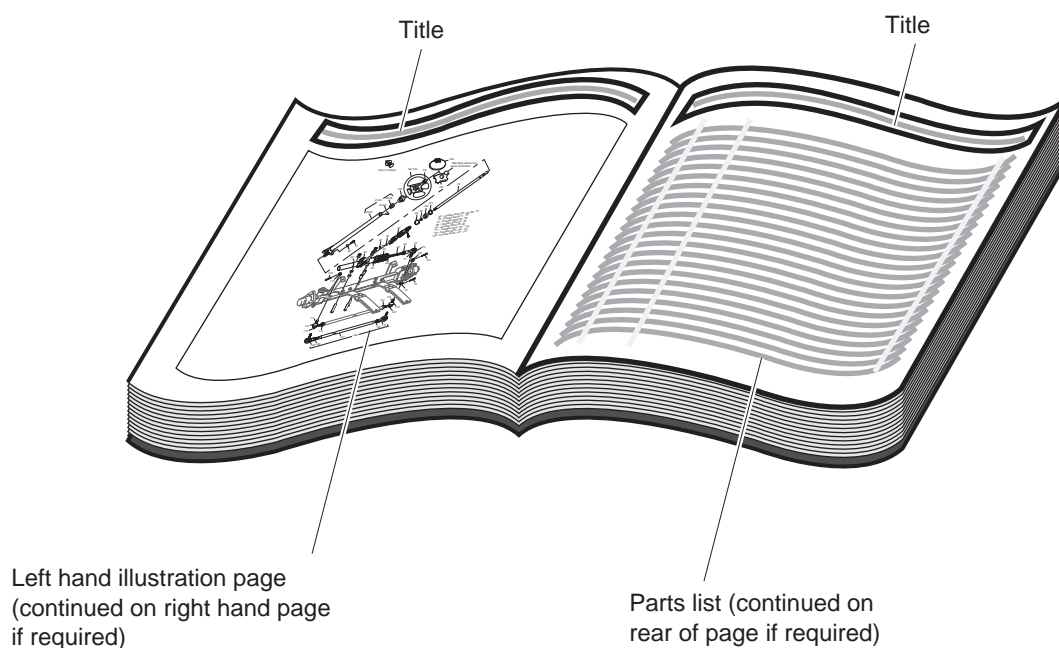
The third section, APPENDIX, contains a listing of specialty products and accessories.

USE OF THE MANUAL

To use this manual, consult the GENERAL INDEX to locate the information or illustration required.

Introduction of some revisions varies due to supply of components; therefore, it is possible that various combinations of components may be found that are not directly reflected by each illustration. Consult the illustration that best suits your situation and then contact the Service Parts Department. It is important that the serial number of your vehicle and its model number be supplied to Service Parts when ordering any replacement components.

Locate the serial number plate (see BODY located in the Illustrated Parts Breakdown section of this manual for its location) and note the complete number shown on the plate.



HOW TO USE THE SERVICE PARTS MANUAL

1. WHEN THE PART NUMBER IS NOT KNOWN

- Determine the function and application of the part required. Turn to the General Index and select the most appropriate title.
- Turn to the page number indicated and locate the desired part on the illustration.
- From the illustration, obtain the item number assigned to the desired part. Refer to the accompanying description for specific information regarding the part.

2. IF YOU KNOW THE PART NUMBER

- Locate the part number or description in the appropriate column on the parts list page.

NOTE: It is suggested that you confirm that the part selected is correct by verifying it with the pictorial representation on the illustrated page.

Should an asterisk (*) appear in the part number column on the parts list page, read upwards until a part number is found. The part number is the lowest assembly sold by Service Parts and the asterisk (*) indicates that the part depicted is not available for purchase.

NOTE: Descriptions are indented under the assembly that they are used on. That assembly is, in turn listed under the assembly that it is used on. This process is repeated until the highest final assembly is reached.

To facilitate the maintenance and repair of the vehicle, a Technician's Repair and Service Manual is available from the Service Parts Department.

HOW TO USE THE SERVICE PARTS MANUAL

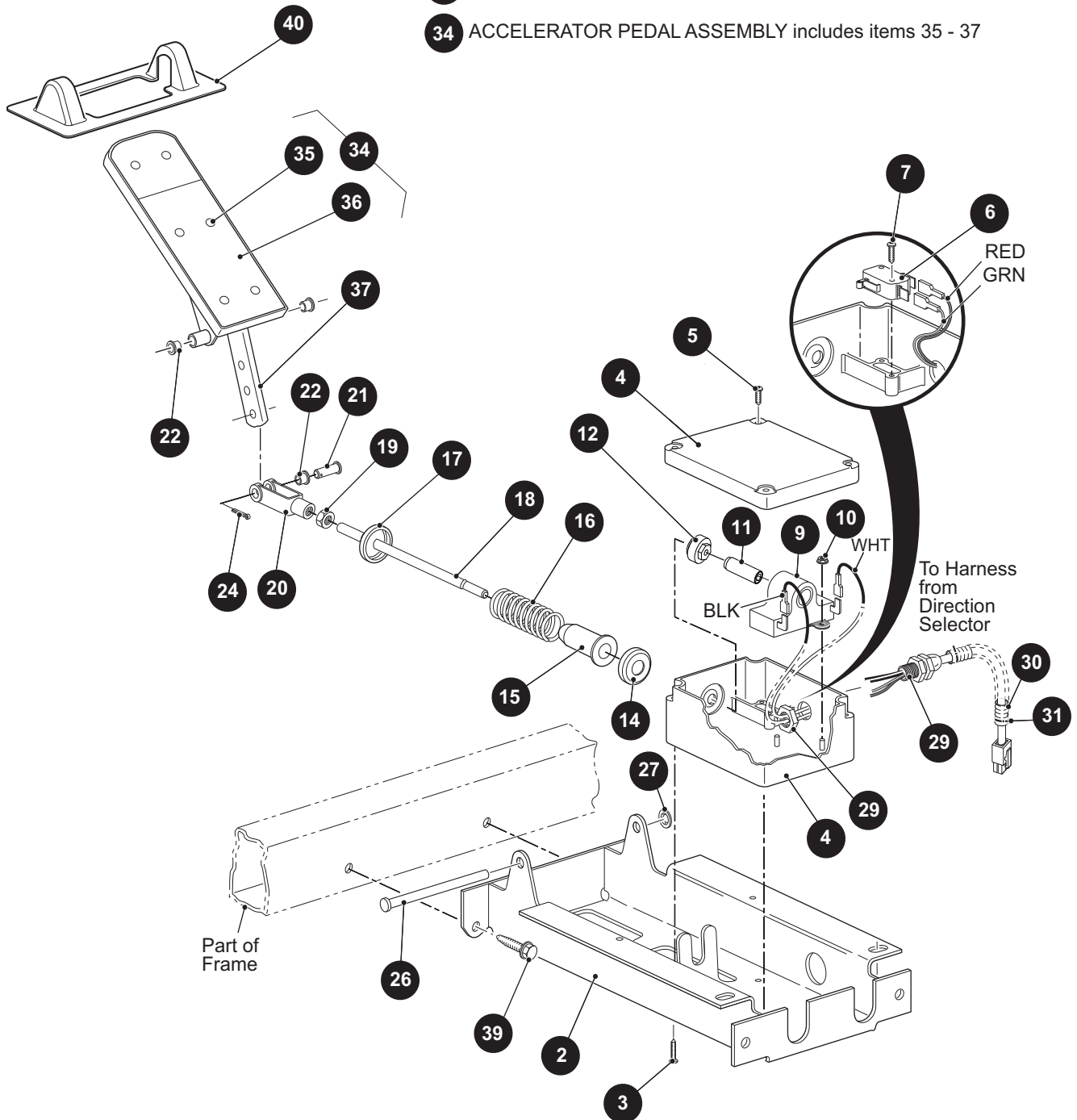
3. COLOR CODE FOR BODY COMPONENTS

The last two digits of the part number for the body part will denote the color code. Locate the part number for the cowl, rear body, seat pod, side panel or seat wrap then locate your color in the list below. Replace the last ** or XX with the two digit color code.

<u>CODE #</u>	<u>DESCRIPTION</u>	<u>CODE #</u>	<u>DESCRIPTION</u>
01	NO PAINT	62	REALTREE MAX 4
02	SPECIAL COLOR	63	MOSSY OAK BREAKUP
05	JACOBSEN ORANGE	64	MOSSY OAK TREESTAND
06	LIGHT GOLD PEARL	65	REALTREE APG
07	SILVER PEARL METALIC	66	REALTREE MAX 1
11	BLACK	67	REALTREE AP PINK
13	CLOUD GRAY	68	REALTREE AP - DIPPED
14	VIPER BLUE METALLIC	69	MONSTER GREEN
19	PATRIOT BLUE PEARL	70	REAL TREE ADVANTAGE MAX1 AP
20	INFERNO RED METALLIC	71	REAL TREE AP SNOW DIPPED
23	ADVANTAGE CLASSIC CAMO	72	MATTE BLACK
24	NATURAL	73	MATTE GREEN
25	VIVID NEW HOLLAND BLUE	74	BARLEY GOLD
26	STEEL BLUE PEARL	75	OASIS GREEN
27	BRIGHT SILVER METALLIC	76	JAVA BROWN
29	PRIMER ONLY	77	SEMI GLOSS BLACK
30	HD ADVANTAGE CAMO	78	REAL TREE XTRA DIPPED
31	METALLIC CHARCOAL	79	JACOBSEN ORANGE 172
32	LIGHT ALMOND PEARL		
35	SAFETY YELLOW		
36	IVORY		
37	FOREST GREEN		
38	BRIGHT WHITE		
39	FLAME RED		
41	ELECTRIC BLUE		
42	PLATINUM		
43	BURGUNDY		
44	ALMOND		
47	BURLINGTON GREEN		
50	RECON GREEN		
51	SUNBURST ORANGE		
52	BRITISH RACING GREEN		
53	MOSSY OAK NEW BREAK UP - DIPPED		
54	MOSSY OAK OBSESSION - DIPPED		
55	REALTREE ADVANTAGE MAX 4 - DIPPED		
56	REALTREE HARDWOOD BROWN - DIPPED		
57	REALTREE AP HOT PINK - DIPPED		
58	BLACK / SILVER MARBLE - DIPPED		
59	RED / SILVER MARBLE - DIPPED		
60	HOT PINK / SILVER MARBLE - DIPPED		
61	REALTREE AP		

ACCELERATOR

- 1 PEDAL BOX ASSEMBLY includes items 2 - 27, 29 and 34
- 29 ACCELERATOR PEDAL HARNESS includes items 30 - 31
- 34 ACCELERATOR PEDAL ASSEMBLY includes items 35 - 37



THE USE OF NON U.L. PARTS WILL VOID ANY U.L. LISTING.

When ordering parts, please specify the model and serial number of the product.

* Indicates a component that is not available as an individual part.

*** Indicates consult Customer Service Department for additional information.

ITEM	PART NO.	1 2 3 4 5	DESCRIPTION	QTY.
1	73333G11		PEDAL BOX ASSEMBLY (INCLUDES ITEMS 2 - 27, 29 AND 34).....	1
2	652241G03		ACCELERATOR PEDAL BRACKET	1
3	01051G01		PAN HEAD PHILLIPS SCREW, #8 - 16 X 1/2" LG	4
4	25853G01		PEDAL BOX AND COVER	1
5	00684G6		TRUSS HEAD PHILLIPS SCREW, #8 - 32 X 3/4" LG	2
6	25861G02		MICRO SWITCH	1
7	01050G01		PAN HEAD TORX SCREW, #4 - 20 X 5/8" LG	2
8				
9	25854G01		INDUCTIVE THROTTLE SENSOR	1
10	00983G01		SELF THREADING NUT, 3/16"	2
11	602484		PLUNGER	1
12	28444G01		CAM ACCELERATOR ROD	1
13				
14	17677G1		SPRING RETAINER, 1/2"	1
15	17979G1		BUSHING	1
16	73046G01		COMPRESSION SPRING	1
17	17677G2		SPRING RETAINER, 3/8"	1
18	73332G01		ACCELERATOR ROD	1
19	00532G4		LOCK NUT, 5/16" - 24	1
20	10385G4		CLEVIS YOKE (ADJUSTABLE).....	1
21	10386G3		CLEVIS PIN, 5/16" X 1" LG	1
22	17838G1		NYLON BUSHING	3
23				
24	10387G3		COTTER PIN, 3/32" X 3/4" LG	1
25				
26	74432G01		PEDAL PIVOT PIN	1
27	12064G6		PUSH NUT, 19/64"	1
28				
29	25879G08		ACCELERATOR PEDAL HARNESS (INCLUDES ITEMS 30 - 31)	1
30	17313G1		FLEX LOOM, 3/8" X 6" LG (BULK)	1
31	17618G1		NYLON CLAMP	2

ACCELERATOR

THE USE OF NON U.L. PARTS WILL VOID ANY U.L. LISTING.

When ordering parts, please specify the model and serial number of the product.

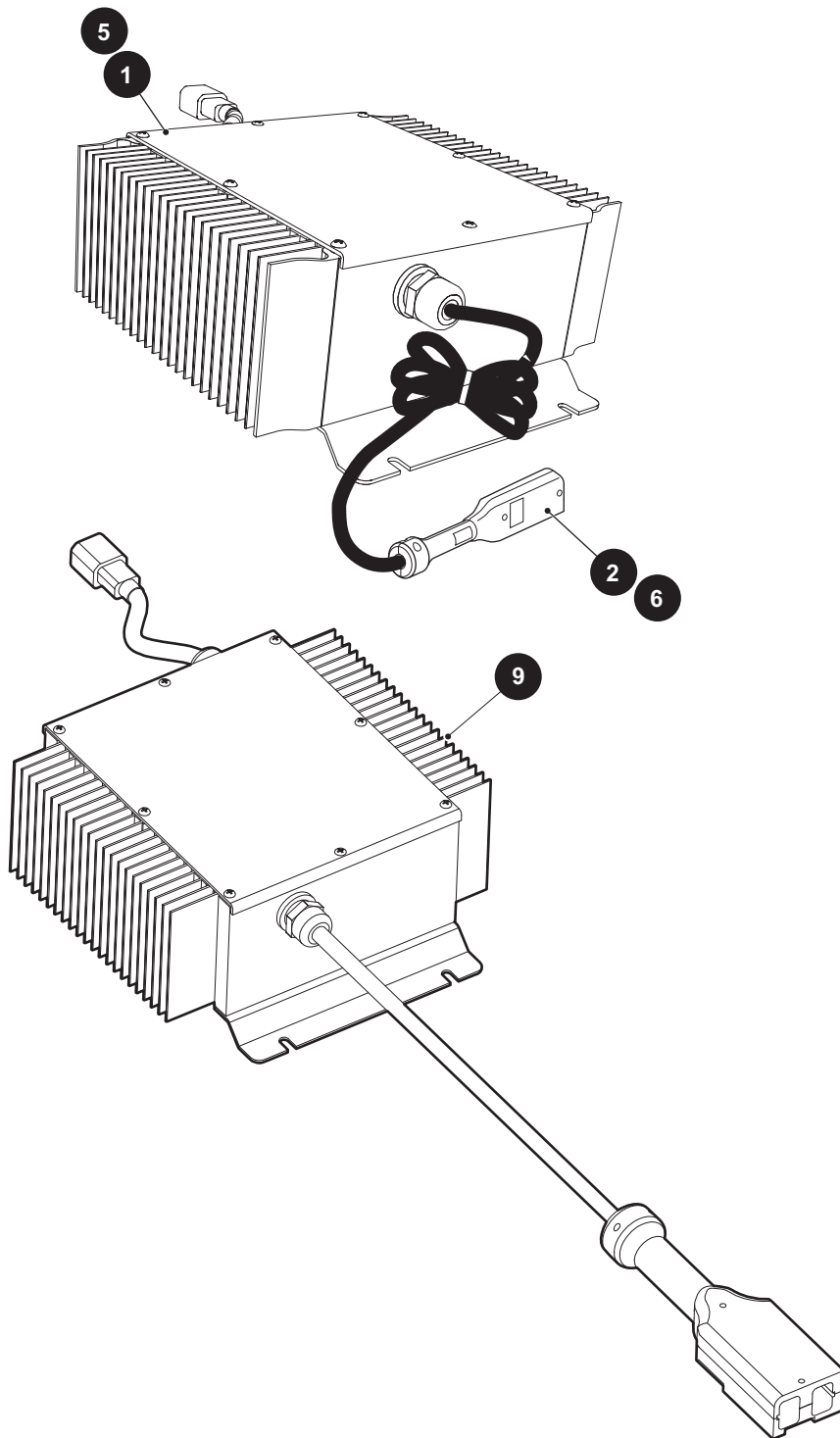
* Indicates a component that is not available as an individual part.

*** Indicates consult Customer Service Department for additional information.

ITEM	PART NO.	1	2	3	4	5	DESCRIPTION	QTY.
32								
33								
34	25799G03						ACCELERATOR PEDAL ASSEMBLY (INCLUDES ITEMS 35 - 37)	1
35	16409G1						RIVET, 3/16" X 7/16" LG	6
36	27512G01						ACCELERATOR PEDAL PAD	1
37	652824						ACCELERATOR PEDAL	1
38								
39	00715G2						HEX HEAD TAPTITE SCREW, 5/16" - 18 X 4/5" LG.....	4
40	70135G01						PEDAL PIVOT COVER	1

BATTERY CHARGER

- 1 48V PORTABLE CHARGER WITH 10' DC CORD includes items 2 & 3
- 5 48V BATTERY CHARGER WITH 18' DC CORD includes items 6 & 7



BATTERY CHARGER

THE USE OF NON U.L. PARTS WILL VOID ANY U.L. LISTING.

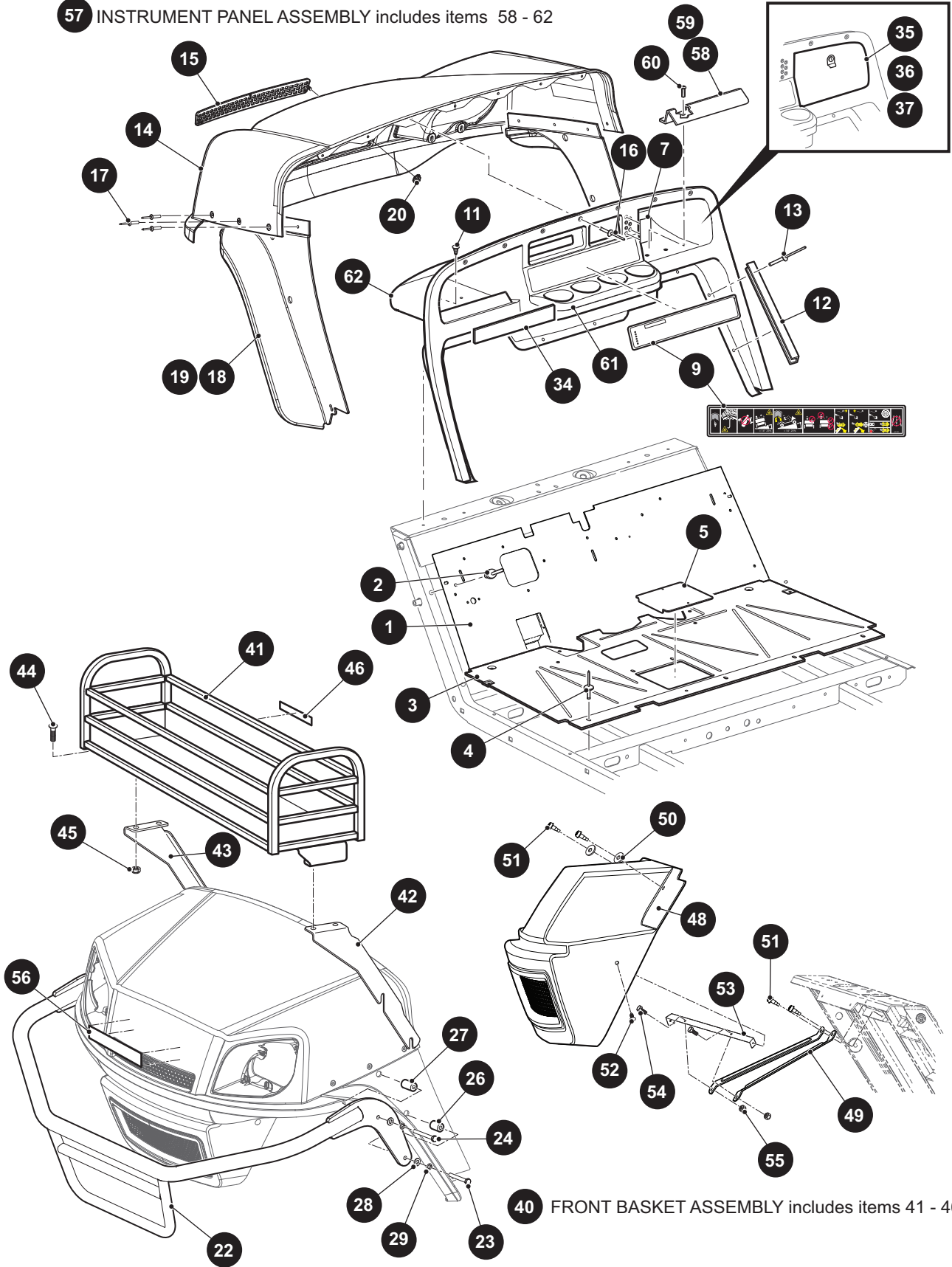
When ordering parts, please specify the model and serial number of the product.

* Indicates a component that is not available as an individual part.

*** Indicates consult Customer Service Department for additional information.

ITEM	PART NO.	1 2 3 4 5	DESCRIPTION	QTY.
1	603689		48V PORTABLE CHARGER WITH 10' DC CORD (INCLUDES ITEMS 2 & 3)	1
2	600463G01		DC CABLE ASSEMBLY, 10'	1
3	600462G01		AC POWER CORD (NOT ILLUSTRATED)	1
4				
5	603690		48V BATTERY CHARGER WITH 18' DC CORD (INCLUDES ITEMS 6 & 7)	1
6	600463G03		DC CABLE ASSEMBLY, 18'	1
7	600462G01		AC POWER CORD (NOT ILLUSTRATED)	1
8				
9	649420		48V BATTERY CHARGER, 3 METER CORD	1

57 INSTRUMENT PANEL ASSEMBLY includes items 58 - 62



40 FRONT BASKET ASSEMBLY includes items 41 - 46

THE USE OF NON U.L. PARTS WILL VOID ANY U.L. LISTING.

When ordering parts, please specify the model and serial number of the product.

* Indicates a component that is not available as an individual part.

*** Indicates consult Customer Service Department for additional information.

ITEM	PART NO.	1 2 3 4 5	DESCRIPTION	QTY.
1	637534		UPPER FLOOR PANEL.....	1
2	14601G11		RIVET, 3/16" X 9/16" LG	9
3	70451G01		LOWER FLOORPAN	1
4	14601G11		RIVET, 3/16" X 9/16" LG	7
5	70452G01		ACCESS COVER.....	1
6				
7	35968G01		T-HOLDER COVER	1
8				
9	601781		WARNING DECAL.....	1
10				
11	16816G2		RIVET RATCHET, .25" X .887" LG	4
12	71115G01		VINYL TRIM	2
13	71055G01		RIVET, 3/16" X 1" LG	10
14	613036GXXX		COWL	1
15	617643		GRILL COVER.....	1
16	71055G01		RIVET, 3/16" X 1" LG	7
17	71055G01		RIVET, 3/16" X 1" LG	6
18	614378		FENDER FLARE (DRIVER SIDE)	1
19	613274		FENDER FLARE (PASSENGER SIDE).....	1
20	71597G01		SELF THREADING NUT, 3/16" X 19/32"	2
21				
22	617620		BRUSHGUARD.....	1
23	00440G2		HEX HEAD BOLT, 5/16" - 18 X 2 1/4" LG	2
24	00440G6		HEX HEAD BOLT, 5/16" - 18 X 2 3/4" LG	2
25				
26	75048G04		SPACER, .32" X .75" X 1" LG	2
27	75048G02		SPACER, .32" X .75" X 1.3" LG	2
28	00559G8		FLAT WASHER, 5/16".....	4
29	00565G8		LOCK WASHER, 5/16"	4
30				
31				

BODY

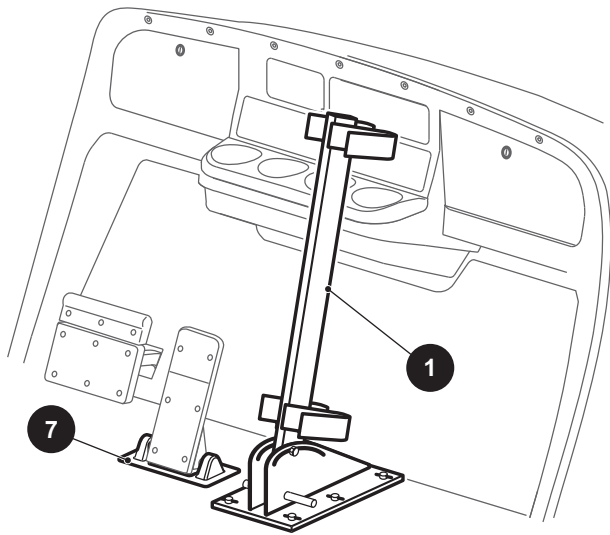
THE USE OF NON U.L. PARTS WILL VOID ANY U.L. LISTING.

When ordering parts, please specify the model and serial number of the product.

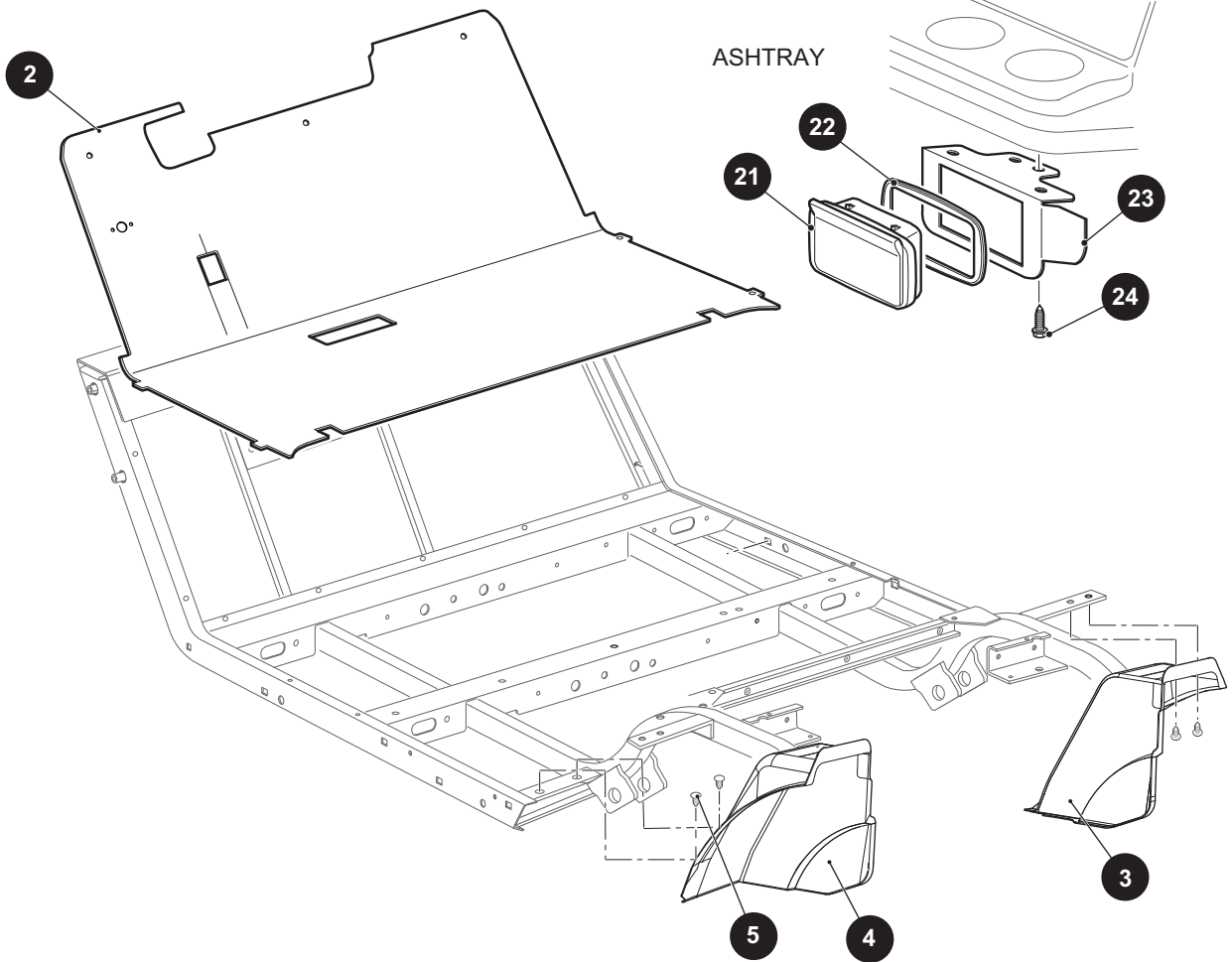
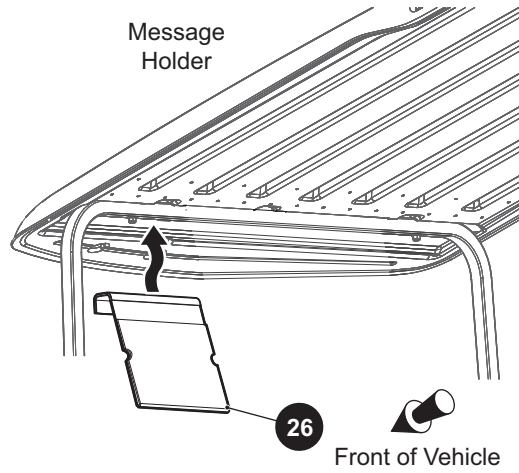
* Indicates a component that is not available as an individual part.

*** Indicates consult Customer Service Department for additional information.

ITEM	PART NO.	1	2	3	4	5	DESCRIPTION	QTY.
32								
33								
34	74443G01						LABEL (ANTI-ROLLBACK).....	1
35	75459G01						GLOVE BOX DOORS (BOTH SIDES)	1
36	75459G02						GLOVE BOX DOOR (DRIVER SIDE)	1
37	75459G03						GLOVE BOX DOOR (PASSENGER SIDE).....	1
38								
39								
40	74521G02						FRONT BASKET ASSEMBLY (INCLUDES ITEMS 41 - 46)	1
41	74523G01						WELDMENT BASKET	1
42	625076						BASKET MOUNTING BRACKET (DRIVER SIDE)	1
43	625077						BASKET MOUNTING BRACKET (PASSENGER SIDE)	1
44	00769G2						CARRIAGE BOLT (SS), 3/8" - 16 X 1.25" LG	4
45	11098G5						LOCK NUT, 3/8" - 16.....	4
46	71931G01						FRONT BASKET WARNING LABEL	1
47								
48	613273						FRONT FASCIA.....	1
49	654276						FRONT SHIELD BRACE	2
50	16469G1						FENDER WASHER, 9/32" I.D. X 1 1/4" O.D.	2
51	01038G01						HEX HEAD BOLT, 1/4" - 20 X 3/4" LG.....	4
52	15058G1						RIVET (ALUMINUM), 3/16" X 4/9" LG.....	2
53	654275						FASCIA BRACKET	1
54	00414G6						HEX HEAD BOLT, 1/4" - 20 X 3/4" LG.....	2
55	14390G4						PLASTIC INSERT LOCK NUT, 1/4" - 20	2
56	619206						E-Z-GO COWL DECAL	1
57	71151G03						INSTRUMENT PANEL ASSEMBLY (INCLUDES ITEMS 58 - 62).....	1
58	71153G01						DEFLECTOR (PASSENGER SIDE)	1
59	71154G01						DEFLECTOR (DRIVER SIDE).....	1
60	00614G3						PAN HEAD PHILLIPS SCREW, #8 - 15 X 3/8" LG	4
61	71158G01						INSTRUMENT PANEL INSERT (FOUR CUP).....	1
62	71152G01						INSTRUMENT PANEL	1



Floor Mount Gun Holder



THE USE OF NON U.L. PARTS WILL VOID ANY U.L. LISTING.

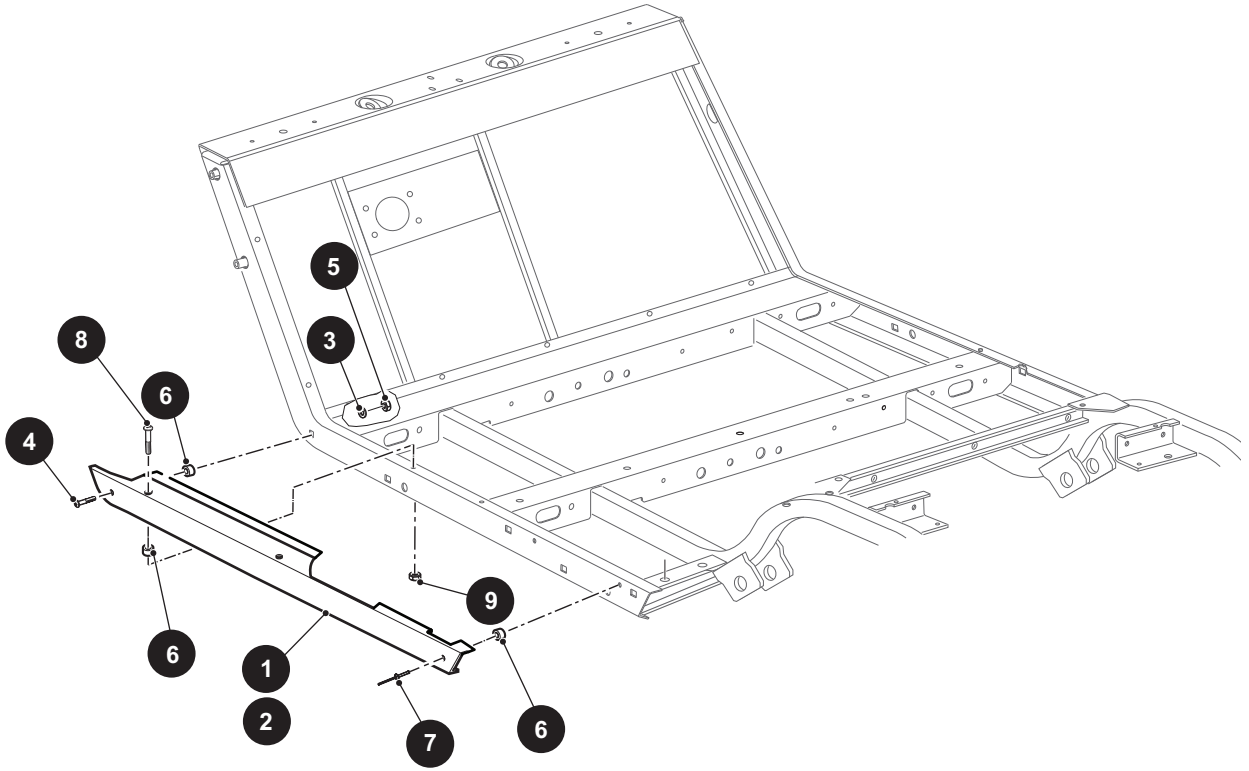
When ordering parts, please specify the model and serial number of the product.

* Indicates a component that is not available as an individual part.

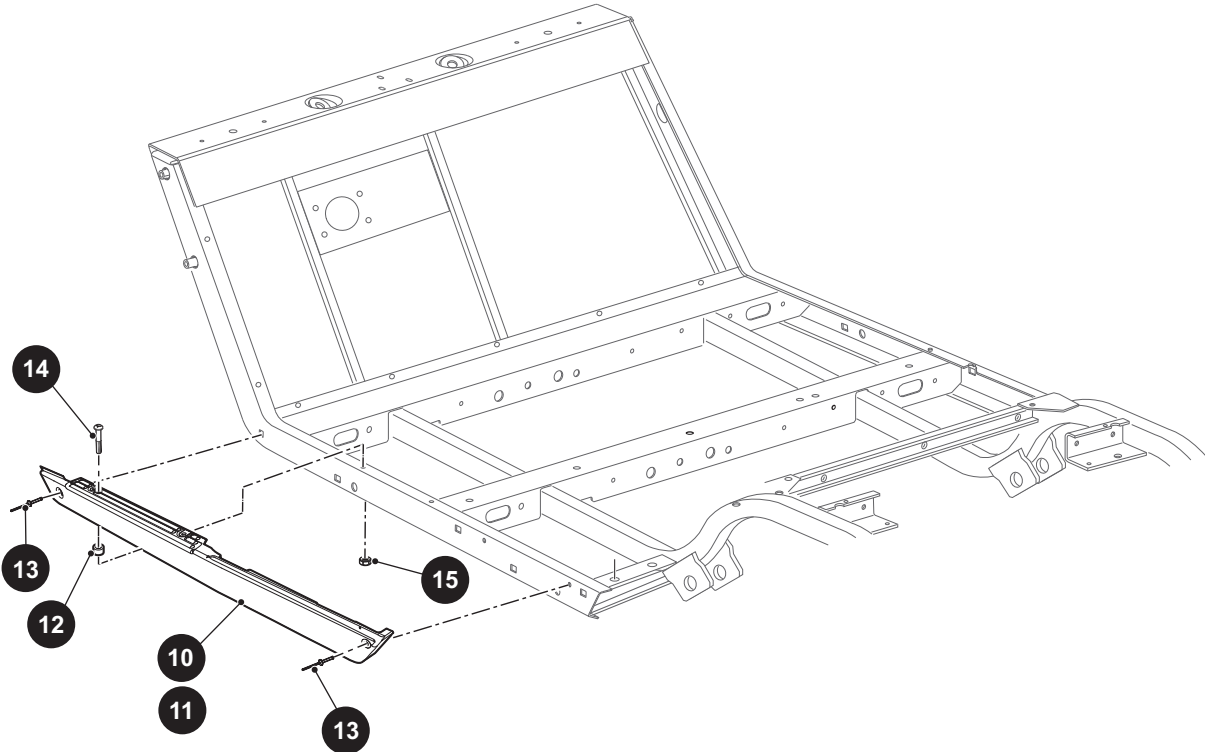
*** Indicates consult Customer Service Department for additional information.

ITEM	PART NO.	1 2 3 4 5	DESCRIPTION	QTY.
1	74365G01		GUN HOLDER FLOOR MOUNT.....	1
2	637535G02		FLOORMAT WITH HORN HOLES	1
3	635054G02		FENDER LINER (PASSENGER SIDE).....	1
4	635054G01		FENDER LINER (DRIVER SIDE)	1
5	16816G2		RATCHET FASTENER, 1/4" X 3/4" LG.....	8
6				
7	70135G01		PEDAL PIVOT COVER.....	1
8				
9				
10				
11				
12				
13				
14				
15				
16				
17				
18				
19				
20	75109G03		ASH TRAY KIT (INCLUDES ITEMS 21 - 24)	1
21	27731G01		ASH TRAY.....	1
22	27736G01		GASKET	1
23	75108G02		BRACKET.....	1
24	00100G4		SELF TAPPING SCREW, #10 - 16 X 1/2" LG	4
25				
26	75509G01		MESSAGE HOLDER	1
27	74533G01		GUN HOLDER (SWIVEL MOUNT) (NOT ILLUSTRATED).....	1

FOR VEHICLES MANUFACTURED BEFORE JUNE 02, 2019



FOR VEHICLES MANUFACTURED AFTER JUNE 02, 2019



THE USE OF NON U.L. PARTS WILL VOID ANY U.L. LISTING.

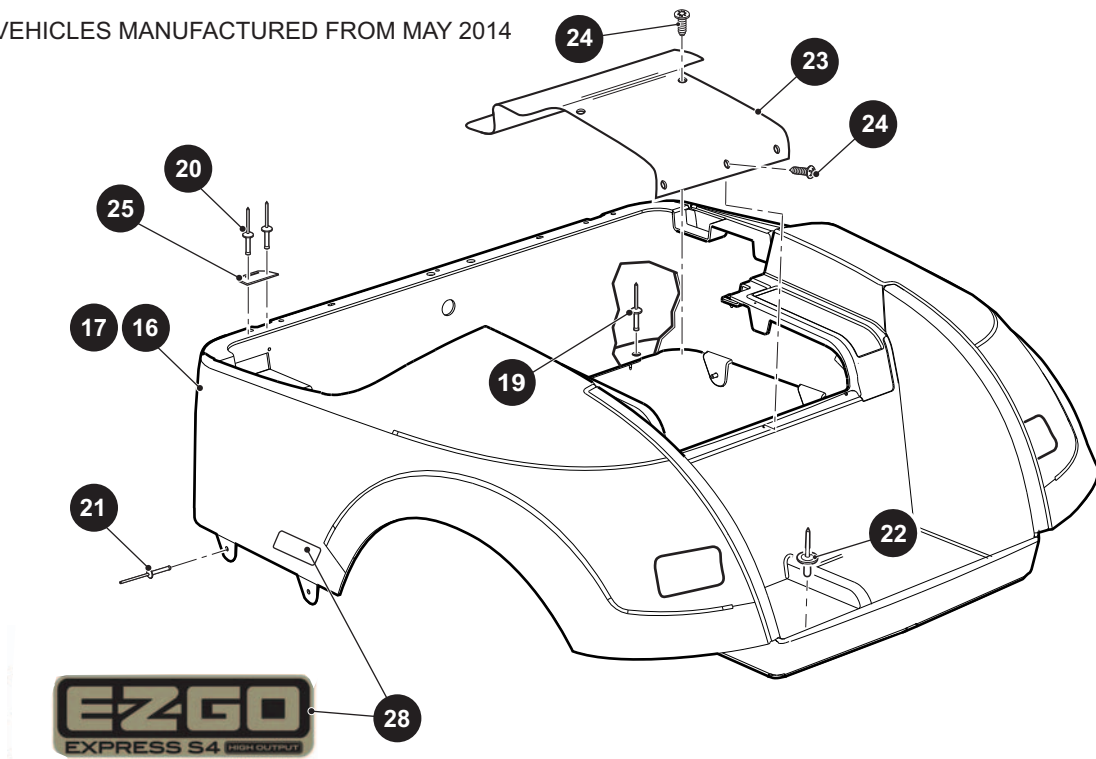
When ordering parts, please specify the model and serial number of the product.

* Indicates a component that is not available as an individual part.

*** Indicates consult Customer Service Department for additional information.

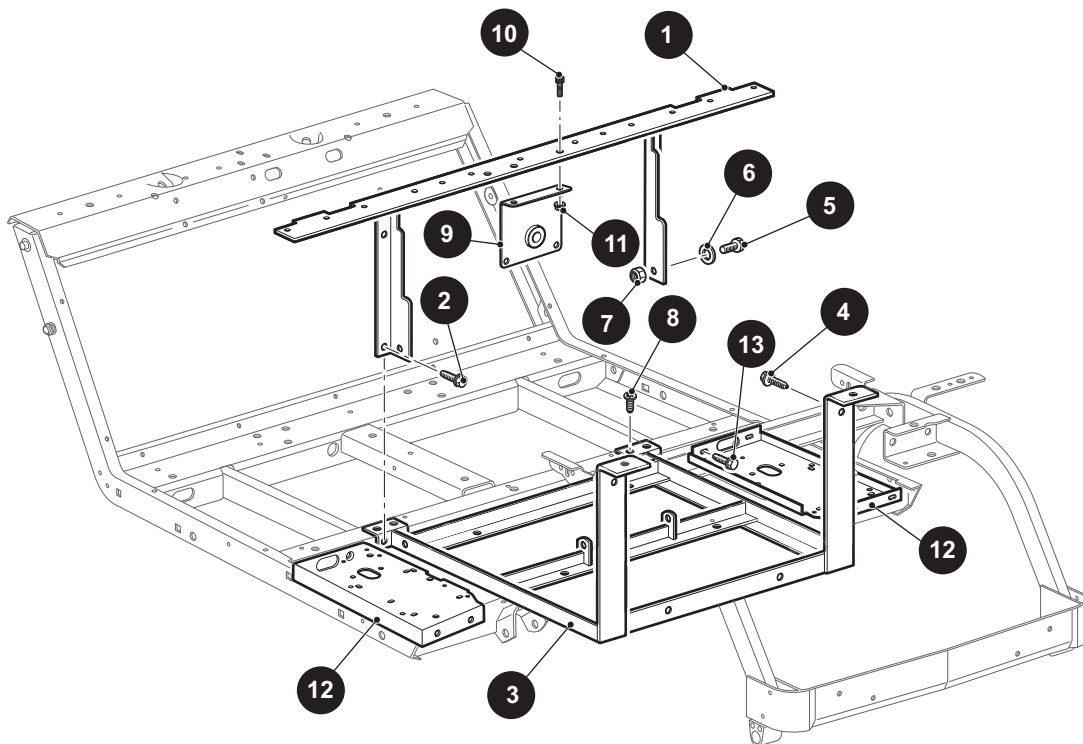
ITEM	PART NO.	1 2 3 4 5	DESCRIPTION	QTY.
FOR VEHICLES MANUFACTURED BEFORE JUNE 02, 2019				
1	639948G01		ROCKER PANEL (DRIVER SIDE).....	1
2	639948G02		ROCKER PANEL (PASSENGER SIDE)	1
3	00660G5		FLAT WASHER, #10	2
4	00789G2		TRUSS HEAD PHILLIPS SCREW #10 - 24 X 1.25" LG	2
5	14390G10		LOCK NUT, #10 - 24	2
6	23726G4		SPACER, 0.25"	4
7	15058G6		RIVET (ALUMINUM), 3/16"	1
8	16705G1		TRUSS HEAD SCREW (SS), 1/4" - 20 X 1" LG	2
9	14390G4		LOCK NUT, 1/4" - 20	2
FOR VEHICLES MANUFACTURED AFTER JUNE 02, 2019				
10	689928G01		ROCKER PANEL (DRIVER SIDE).....	1
11	689928G02		ROCKER PANEL (PASSENGER SIDE)	1
12	23726G4		SPACER, 0.25"	2
13	15058G6		RIVET (ALUMINUM), 3/16"	2
14	645323		BUTTON HEAD TORX HEXALOBULAR SCREW, M6 - 1 X 23.4MM LG	2
15	601476		LOCK NUT, M6 - 1	2

FOR VEHICLES MANUFACTURED FROM MAY 2014



16 REAR BODY (WITHOUT TAILLIGHTS) includes items 19 - 26

17 REAR BODY (WITH TAILLIGHTS) includes items 19 - 26



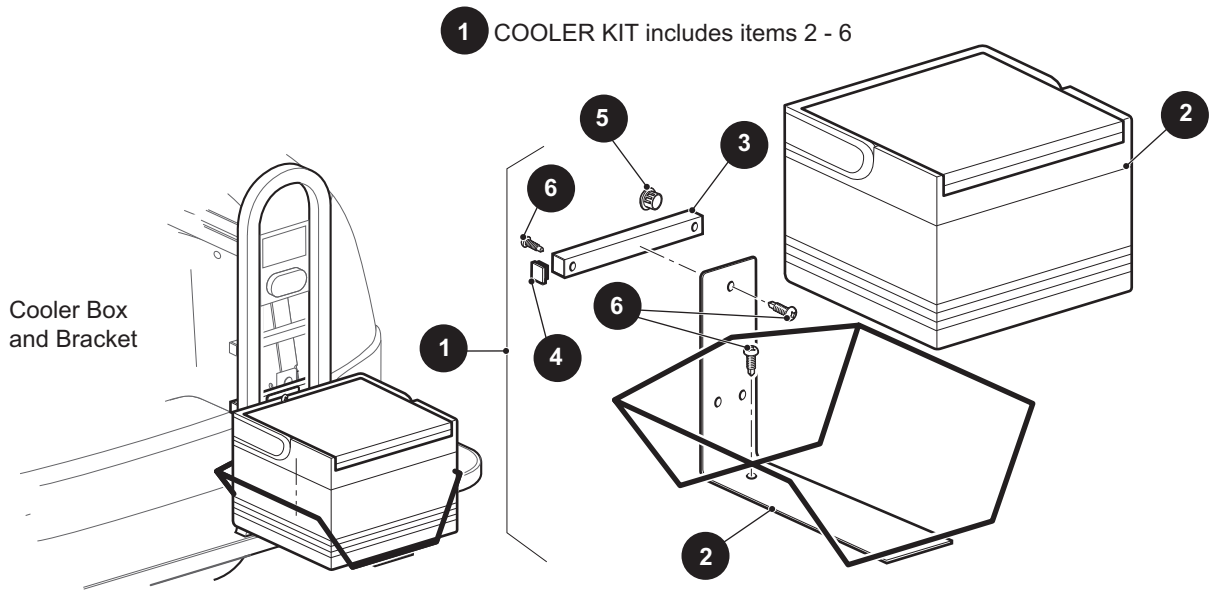
THE USE OF NON U.L. PARTS WILL VOID ANY U.L. LISTING.

When ordering parts, please specify the model and serial number of the product.

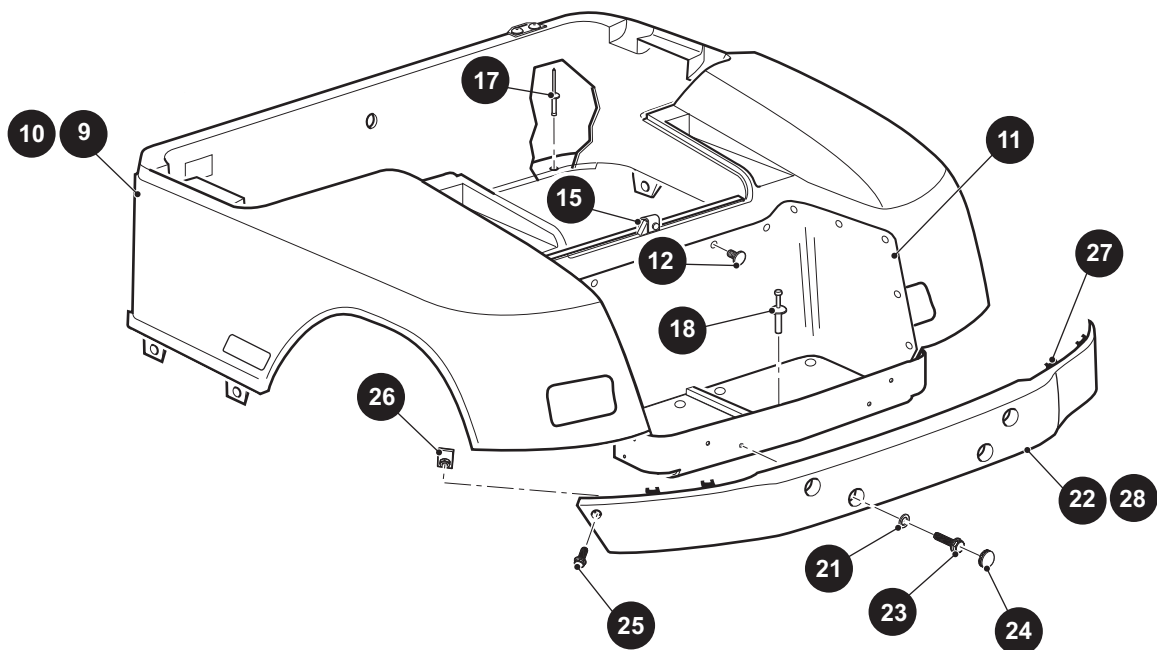
* Indicates a component that is not available as an individual part.

*** Indicates consult Customer Service Department for additional information.

ITEM	PART NO.	1 2 3 4 5	DESCRIPTION	QTY.
1	70441G01		SEAT FRAME	1
2	00715G2		HEX HEAD BOLT, 5/16" - 18 X 13/16" LG	2
3	652254G03		BATTERY RACK	1
4	00715G2		HEX HEAD BOLT, 5/16" - 18 X 13/16" LG	2
5	00438G6		HEX HEAD BOLT, 5/16" - 18 X 3/4" LG	2
6	00559G8		FLAT WASHER, 5/16"	2
7	11098G6		LOCK NUT (SS), 5/16" - 18	2
8	70200G01		TRUSS HEAD TORX SCREW, 3/8" - 16 X 3/4" LG	2
9	70444G02		BRACKET	1
10	70227G01		SOCKET HEAD CAP SCREW, 1/4" - 20 X 7/8" LG	2
11	11027G2		LOCK NUT, 1/4" - 20	2
12	70244G05		SPLASH PANEL.....	2
13	00715G2		HEX HEAD BOLT, 5/16" - 18 X 13/16" LG	8
14				
15				
16	625272G0**		REAR BODY (WITHOUT TAILLIGHTS) (INCLUDES ITEMS 19 - 26).....	1
17	625272G1**		REAR BODY (WITH TAILLIGHTS) (INCLUDES ITEMS 19 - 26)	1
18				
19	10570G10		RIVET (SS), 5/32" X 9/16" LG	5
20	10570G11		RIVET (SS), 3/16" X 3/4" LG	4
21	10570G12		RIVET (ALUMINUM), 1/4" X 3/4" LG	2
22	633917		PLASTIC DRIVE RIVET	2
23	71320G01		ACCESS COVER	1
24	01107G01		PAN HEAD TORX SCREW (SS), #8 X 3/8" LG.....	5
25	71609G01		SEAT HINGE PLATE	2
26	16816G2		RATCHET RIVET, .25" X .887" LG (NOT ILLUSTRATED).....	2
27				
28	635051		E-Z-GO EXPRESS S4 HIGH OUTPUT DECAL.....	2



FOR VEHICLES MANUFACTURED BEFORE MAY 2014



9 REAR BODY (WITHOUT TAILLIGHTS) includes items 11, 12

10 REAR BODY (WITH TAILLIGHTS) includes items 11, 12

THE USE OF NON U.L. PARTS WILL VOID ANY U.L. LISTING.

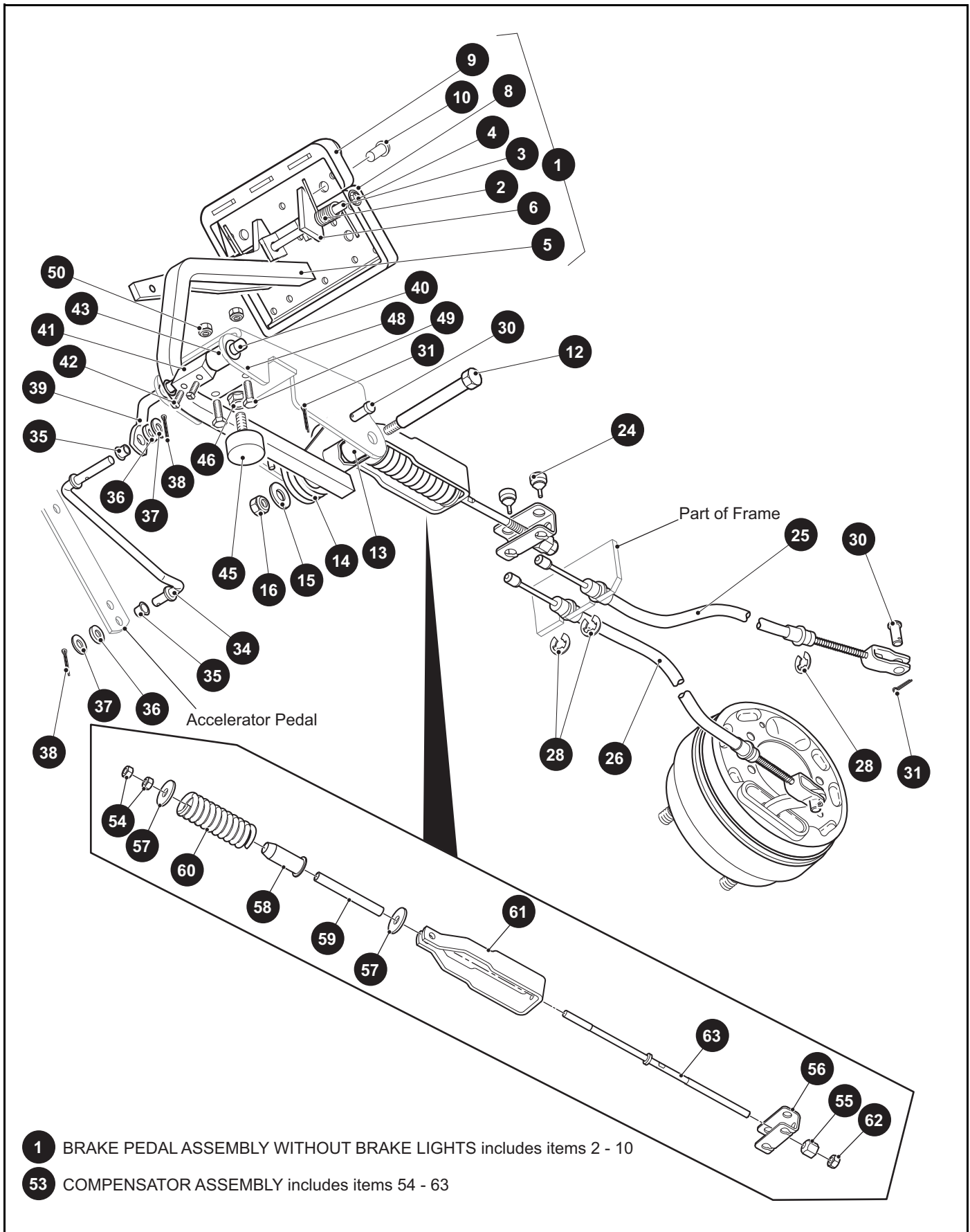
When ordering parts, please specify the model and serial number of the product.

* Indicates a component that is not available as an individual part.

*** Indicates consult Customer Service Department for additional information.

ITEM	PART NO.	1 2 3 4 5	DESCRIPTION	QTY.
1	74581G01		COOLER KIT (INCLUDES ITEMS 2 - 6).....	1
2	71048G01		COOLER & BRACKET KIT.....	1
3	75268G01		SUPPORT TUBE.....	1
4	19859G1		END CAP, 3/4".....	2
5	20271G2		HOLE PLUG, 1/2".....	2
6	00106G6		PAN HEAD PHILLIPS SELF DRILLING SCREW, #12 - 24 X .75" LG.....	4
7				
8				
9	71912G4**		REAR BODY (WITHOUT TAILLIGHTS) (INCLUDES ITEMS 11, 12).....	1
10	71331G0**		REAR BODY (WITH TAILLIGHTS) (INCLUDES ITEMS 11, 12).....	1
11	71318G01		BAGWELL LINER.....	1
12	16816G1		RATCHET FASTENER, 1/4" X 9/16" LG.....	20
13				
14				
15	71364G02		"J" CLIP.....	1
16				
17	10570G10		RIVET (SS), 5/32" X 9/16" LG.....	6
18	18436G1		PLASTIC DRIVE RIVET, 1/4" X 3/4" LG.....	2
19				
20				
21	00571G2		FLAT WASHER, 5/16".....	4
22	71456G01		NOTCHED REAR BUMPER.....	1
23	71102G01		HEX HEAD BOLT, 1/4" - 20 X 3/4" LG.....	4
24	71455G01		BUMPER PLUG.....	4
25	71102G01		HEX HEAD BOLT, 1/4" - 20 X 3/4" LG.....	2
26	71554G01		J-TYPE NUT RETAINER, 1/4" - 20.....	2
27	71457G01		BUMPER STAY.....	4
28	71451G02		REAR BUMPER.....	1

BRAKES



BRAKES

THE USE OF NON U.L. PARTS WILL VOID ANY U.L. LISTING.

When ordering parts, please specify the model and serial number of the product.

* Indicates a component that is not available as an individual part.

*** Indicates consult Customer Service Department for additional information.

ITEM	PART NO.	1 2 3 4 5	DESCRIPTION	QTY.
1	70612G02		BRAKE PEDAL ASSEMBLY WITHOUT BRAKE LIGHTS (INCLUDES ITEMS 2 - 10)	1
2	70681G01		TORSION SPRING.....	2
3	70682G01		PIVOT PIN.....	1
4	658825		PUSHNUT WASHER, 5/16"	2
5	652251G03		BRAKE PEDAL.....	1
6	652253G03		PARK BRAKE PEDAL	1
7				
8	70257G01		SERVICE BRAKE PAD.....	1
9	70256G01		PARK BRAKE PEDAL PAD	1
10	16409G1		OVAL RIVET, 3/16" X 7/16" LG	9
11				
12	70582G01		SHOULDER BOLT (SS), 3/8" - 16 X 4" LG	1
13	70581G01		FLANGED BUSHING.....	2
14	70676G01		TORSION SPRING	1
15	00643G1		FLAT WASHER, 3/8"	1
16	11098G5		LOCK NUT, 3/8" - 16.....	1
17				
18	01038G01		SWAGEFORM SCREW, 1/4" - 20 (NOT ILLUSTRATED).....	1
19				
20	12416G2		NYLON WEDGE LOCK CLAMP (NOT ILLUSTRATED)	1
21				
22				
23				
24	28083G01		BRAKE COMPENSATOR BUMPER.....	2
25	624690		BRAKE CABLE (DRIVER SIDE).....	1
26	624691		BRAKE CABLE (PASSENGER SIDE)	1
27				
28	01111G01		RETAINING RING (SS), 13/32"	4
29				
30	10386G3		CLEVIS PIN, 5/16" X 13/16" LG.....	3

BRAKES

THE USE OF NON U.L. PARTS WILL VOID ANY U.L. LISTING.

When ordering parts, please specify the model and serial number of the product.

* Indicates a component that is not available as an individual part.

*** Indicates consult Customer Service Department for additional information.

ITEM	PART NO.	1 2 3 4 5	DESCRIPTION	QTY.
31	10387G3		COTTER PIN, 3/32" X 3/4" LG	3
32				
33				
34	70601G01		KICK-OFF LINK.....	1
35	17838G1		NYLON BUSHING, 0.5" X 0.31" LG	2
36	20835G1		TEFLON WASHER, 3/8"	2
37	00559G8		FLAT WASHER, 5/16"	2
38	10387G3		COTTER PIN, 3/32" X 3/4" LG	2
39	70098G01		KICK-OFF CAM PIVOT	1
40	10097G6		FLANGED BEARING	2
41	70587G01		KICK-OFF CAM.....	1
42	71215G01		SETSCREW, 1/4" - 20 X 1/2" LG	2
43	14134G4		SPACER, 0.76" X 1.25" LG	1
44				
45	70113G01		ADJUSTABLE BUMPER	1
46	11027G1		LOCK NUT, 5/16" - 18	1
47				
48	70080G02		CATCH BRACKET.....	1
49	00414G6		HEX HEAD BOLT, 1/4" - 20 X 3/4" LG.....	2
50	14390G4		LOCK NUT (SS), 1/4" - 20.....	2
51				
52				
53	612558		COMPENSATOR ASSEMBLY (INCLUDES ITEMS 54 - 63)	1
54	00532G4		HEX NUT, 5/16" - 24	2
55	629486		HEX NUT, 5/16" - 24	1
56	28082G01		EQUALIZER BRACKET	1
57	15121G1		FLAT WASHER, 5/16".....	2
58	17979G1		ACCELERATOR ROD BUSHING	1
59	23061G2		TUBE.....	1
60	23463G1		COMPRESSION SPRING	1
61	652256		BRAKE YOKE	1

THE USE OF NON U.L. PARTS WILL VOID ANY U.L. LISTING.

When ordering parts, please specify the model and serial number of the product.

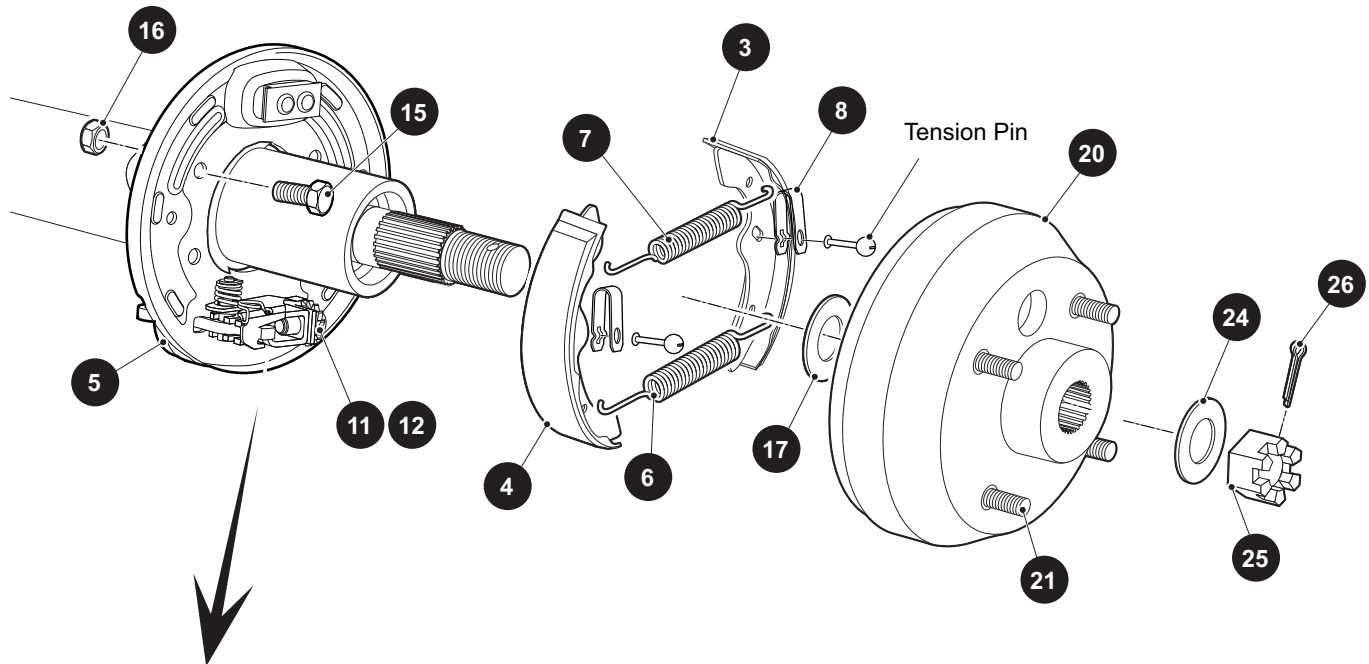
* Indicates a component that is not available as an individual part.

*** Indicates consult Customer Service Department for additional information.

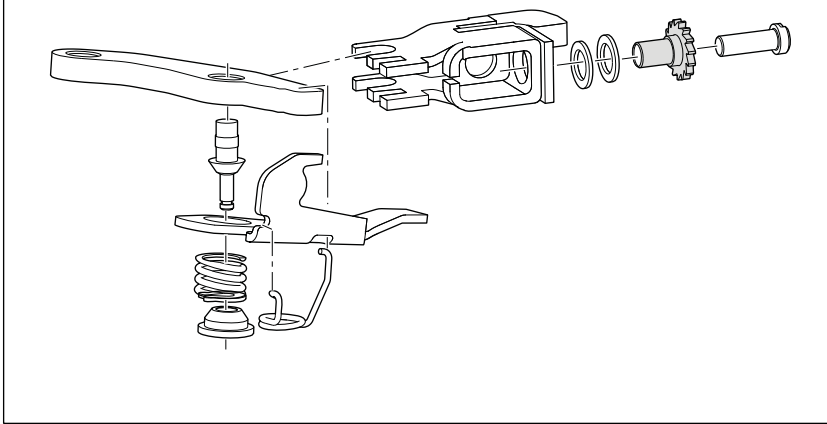
ITEM	PART NO.	1 2 3 4 5 DESCRIPTION	QTY.
62	11098G9	HEX LOCK NUT, 5/16" - 24.....	1
63	612557	COMPENSATOR ROD LINK.....	1

BOTTOM PULL

- 1 BRAKE ASSEMBLY (DRIVER SIDE) includes items 3 - 11
- 2 BRAKE ASSEMBLY (PASSENGER SIDE) includes items 3 - 8, 12
- 19 BRAKE DRUM ASSEMBLY includes items 20 - 21



ADJUSTER ASSEMBLY



BRAKES

THE USE OF NON U.L. PARTS WILL VOID ANY U.L. LISTING.

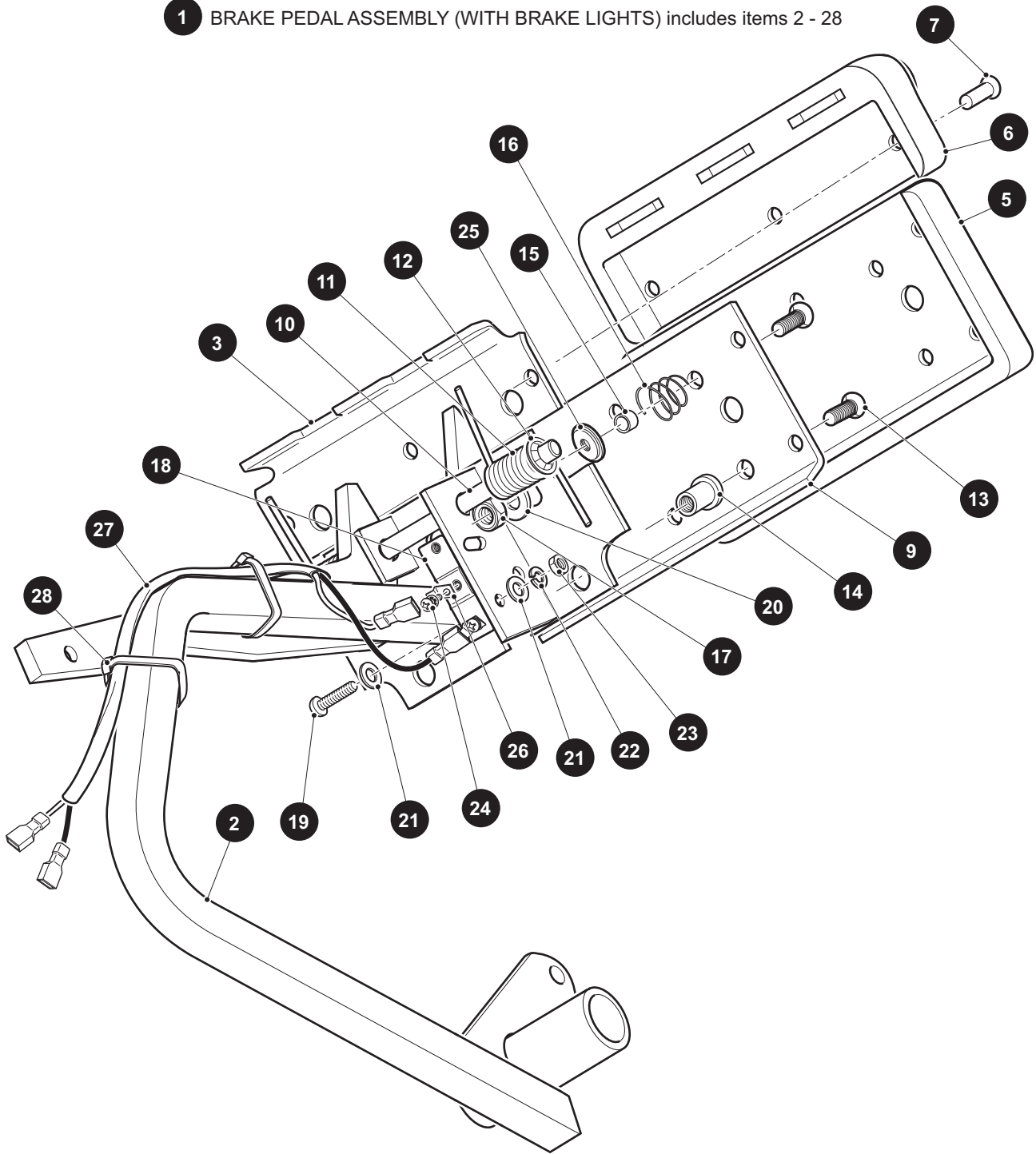
When ordering parts, please specify the model and serial number of the product.

* Indicates a component that is not available as an individual part.

*** Indicates consult Customer Service Department for additional information.

ITEM	PART NO.	1 2 3 4 5	DESCRIPTION	QTY.
1	612211		BRAKE ASSEMBLY (DRIVER SIDE) (INCLUDES ITEMS 3 - 11)	1
2	612189		BRAKE ASSEMBLY (PASSENGER SIDE) (INCLUDES ITEMS 3 - 8, 12)	1
3	612411		BRAKE SHOE, LEADING	1
4	612412		BRAKE SHOE, TRAILING.....	1
5	612413		DUST COVER	1
6	612415		BRAKE SPRING.....	1
7	612414		BRAKE SPRING.....	1
8	612416		SHOE CLAMP	2
9				
10				
11	612418		GEAR ADJUSTER.....	1
12	612417		GEAR ADJUSTER.....	1
13				
14				
15	17083G2		HEX HEAD BOLT, 5/16" - 24 X 1" LG	8
16	15126G1		LOCK NUT, 5/16" - 24.....	8
17	21809G1		FLAT WASHER, 1/4".....	2
18				
19	21807G2		BRAKE DRUM ASSEMBLY (INCLUDES ITEMS 20 - 21)	2
20	20947G1		BRAKE DRUM.....	1
21	19862G1		LUG BOLT, 1/2" - 20 X 1 3/16" LG.....	4
22				
23				
24	21830G1		FLAT WASHER, 1 3/8" O.D. X 21/32"	2
25	613172		CASTELLATED NUT, 5/8" - 18	2
26	10387G1		COTTER PIN, 1/8" X 1 1/2" LG.....	2

1 BRAKE PEDAL ASSEMBLY (WITH BRAKE LIGHTS) includes items 2 - 28



BRAKES

THE USE OF NON U.L. PARTS WILL VOID ANY U.L. LISTING.

When ordering parts, please specify the model and serial number of the product.

* Indicates a component that is not available as an individual part.

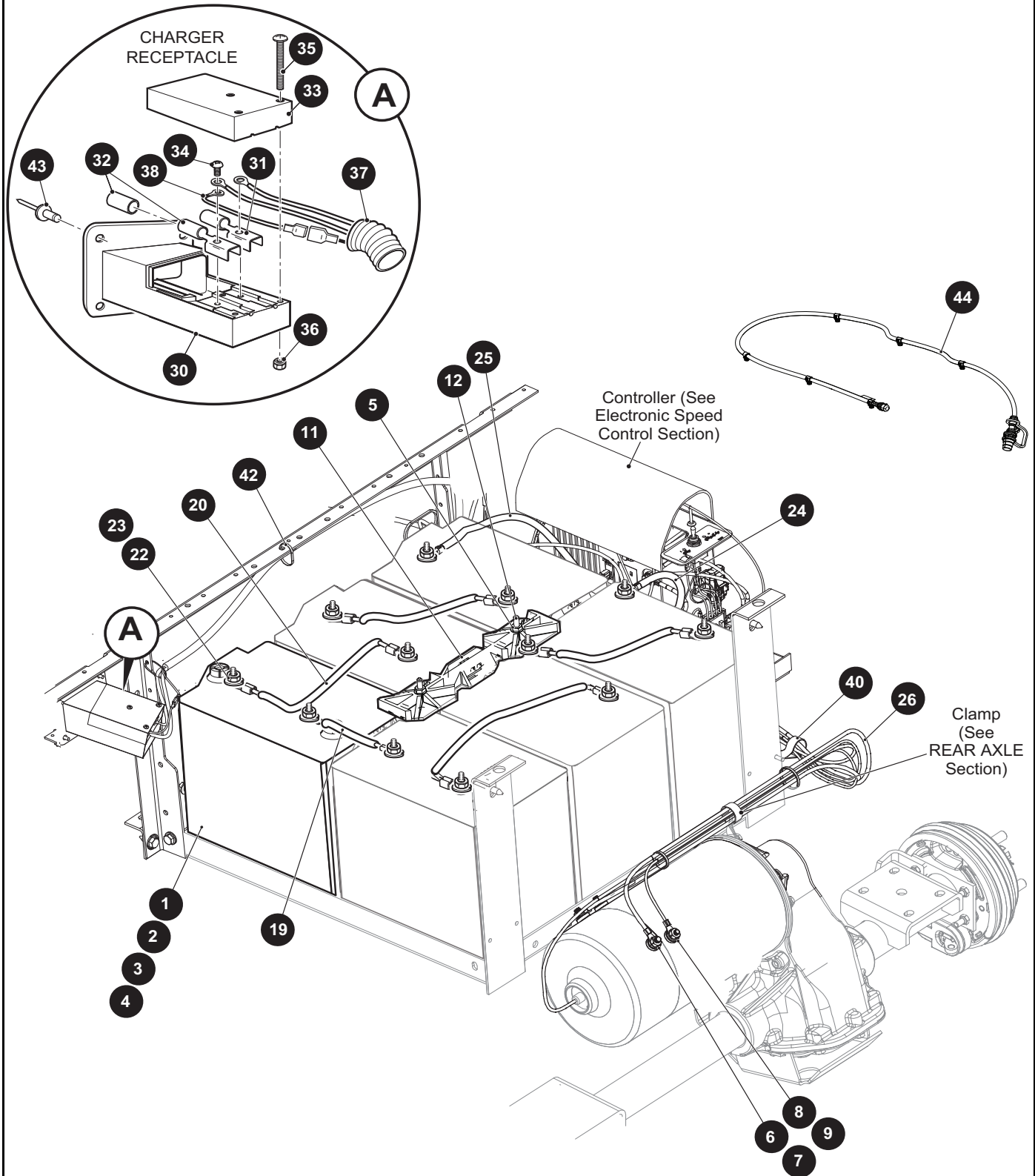
*** Indicates consult Customer Service Department for additional information.

ITEM	PART NO.	1 2 3 4 5	DESCRIPTION	QTY.
1	70690G02		BRAKE PEDAL ASSEMBLY (WITH BRAKE LIGHTS) (INCLUDES ITEMS 2 - 28)	1
2	652791G03		BRAKE PEDAL.....	1
3	652253G03		PARK BRAKE PEDAL	1
4				
5	70257G01		BRAKE PAD	1
6	70256G01		PARKING BRAKE PAD	1
7	16409G1		OVAL RIVET, 3/16" x 3/8" LG	9
8				
9	652820		SERVICE BRAKE PEDAL PLATE	1
10	70682G01		PARK BRAKE PEDAL PIN	1
11	70681G01		TORSION SPRING.....	2
12	658825		PUSH NUT, 5/16"	1
13	00737G8		TORX HEAD SCREW, #10 - 24 X 1" LG.....	4
14	00739G1		RUBBER NUT, #10 - 24	2
15	652355		BRAKE PEDAL SPACER	2
16	27137G01		CONICAL SPRING	2
17	14390G10		LOCK NUT, #10 - 24.....	2
18	10606G8		LIMIT SWITCH	1
19	00645G2		PAN HEAD PHILLIPS SCREW, #6 - 32 X 1 1/4" LG.....	2
20	00559G5		FLAT WASHER, #10	2
21	00559G3		FLAT WASHER, #6	4
22	00565G3		LOCK WASHER, #6	2
23	00525G5		LOCK NUT, #6 - 32.....	2
24	13514G1		SCREW AND LOCK WASHER, #6	2
25	00642G8		FLAT WASHER, 5/16"	2
26	14628G1		FAST-ON TAB.....	2
27	24605G1		BRAKE LIGHT WIRE HARNESS	1
28	17618G1		WIRE TIE.....	2

ELECTRICAL SYSTEM

28 CHARGER RECEPTACLE ASSEMBLY includes items 29, 37 - 38

29 CHARGING RECEPTACLE includes items 30 - 36



ELECTRICAL SYSTEM

THE USE OF NON U.L. PARTS WILL VOID ANY U.L. LISTING.

When ordering parts, please specify the model and serial number of the product.

* Indicates a component that is not available as an individual part.

*** Indicates consult Customer Service Department for additional information.

ITEM	PART NO.	1 2 3 4 5	DESCRIPTION	QTY.
1	618594		8 VOLT BATTERY	6
2	614015		8 VOLT BATTERY	6
3	618595		8 VOLT BATTERY	6
4	614381		8 VOLT BATTERY	6
5	11027G1		LOCK NUT, 5/16" - 18.....	2
6	00993G01		LOCK WASHER (SILICON BRONZE), 5/16".....	5
7	28418G01		HEX NUT (BRASS), 5/16" - 18	2
8	00993G02		LOCK WASHER (SILICON BRONZE), 1/4".....	4
9	28418G02		LOCK NUT (BRASS), 1/4" - 20	2
10	614521		REGULATED HOSE SUPPLY, 20' (NOT ILLUSTRATED).....	1
11	612867		BATTERY RETAINER.....	1
12	01101G01		TIE DOWN BOLT	2
13				
14				
15				
16				
17				
18				
19	25971G18		4 GA WIRE (BATTERY INTERCONNECT, BLACK), 6" LG	1
20	25971G13		4 GA WIRE (BATTERY INTERCONNECT, BLACK), 10 1/2" LG	4
21				
22	00565G8		LOCK WASHER, 5/16"	12
23	00702G2		HEX NUT, 5/16" - 18	12
24	25971G16		4 GA WIRE (BATTERY -, BLACK), 19" LG	1
25	607592		4 GA WIRE GREEN, 28" LG	1
26	74659G01		POWER HARNESS	1
27	74649G01		CONTROL HARNESS (NOT ILLUSTRATED)	1
28	609670		CHARGER RECEPTACLE ASSEMBLY (INCLUDES ITEMS 29, 37 - 38).....	1
29	668283		CHARGING RECEPTACLE (INCLUDES ITEM 30 - 36)	1
30	73051G22		RECEPTACLE BOTTOM	1
31	73051G23		FEMALE CONNECTOR.....	1

ELECTRICAL SYSTEM

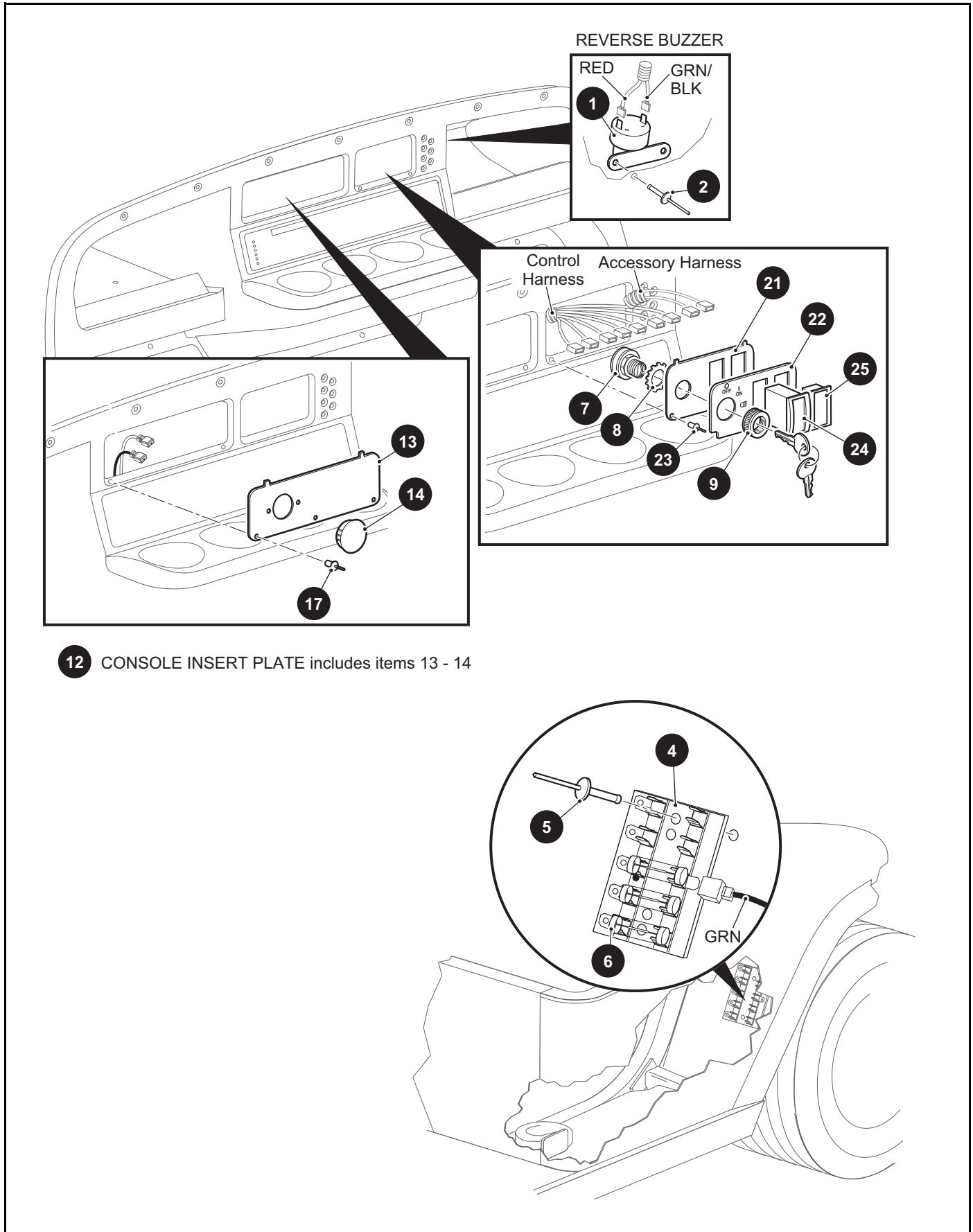
THE USE OF NON U.L. PARTS WILL VOID ANY U.L. LISTING.

When ordering parts, please specify the model and serial number of the product.

* Indicates a component that is not available as an individual part.

*** Indicates consult Customer Service Department for additional information.

ITEM	PART NO.	1	2	3	4	5	DESCRIPTION	QTY.
32	73051G24						INSULATOR SLEEVE	1
33	73051G21						RECEPTACLE COVER	1
34	73051G08						PHILLIPS PAN HEAD SCREW (BRASS), #10 - 32 X 1/2" LG	2
35	73051G09						PHILLIPS PAN HEAD SCREW (SS), #6 - 32 X 1 3/4" LG	3
36	73051G10						LOCK NUT, #6 - 32.....	3
37	609654						WIRE HARNESS (CHARGER).....	1
38	25978G25						18 GA WIRE (RED 9")	1
39								
40	27327G02						CABLE CLAMP	1
41	10570G11						RIVET (SS), 3/16" X 3/4" LG (NOT ILLUSTRATED).....	1
42	17618G1						WIRE TIE.....	11
43	71055G01						RIVET (ALUMINUM), 3/16" X 1" LG.....	4
44	614457						SNAKE HYDROLINK, 6 - 6V OR 6 - 8V.....	1
45	615352						CLAMP - POLYPROPYLENE (NOT ILLUSTRATED).....	9



ELECTRICAL SYSTEM

THE USE OF NON U.L. PARTS WILL VOID ANY U.L. LISTING.

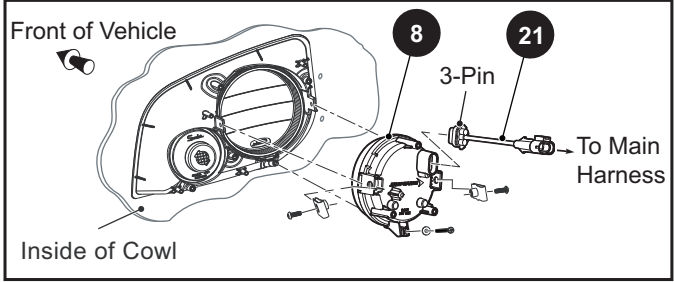
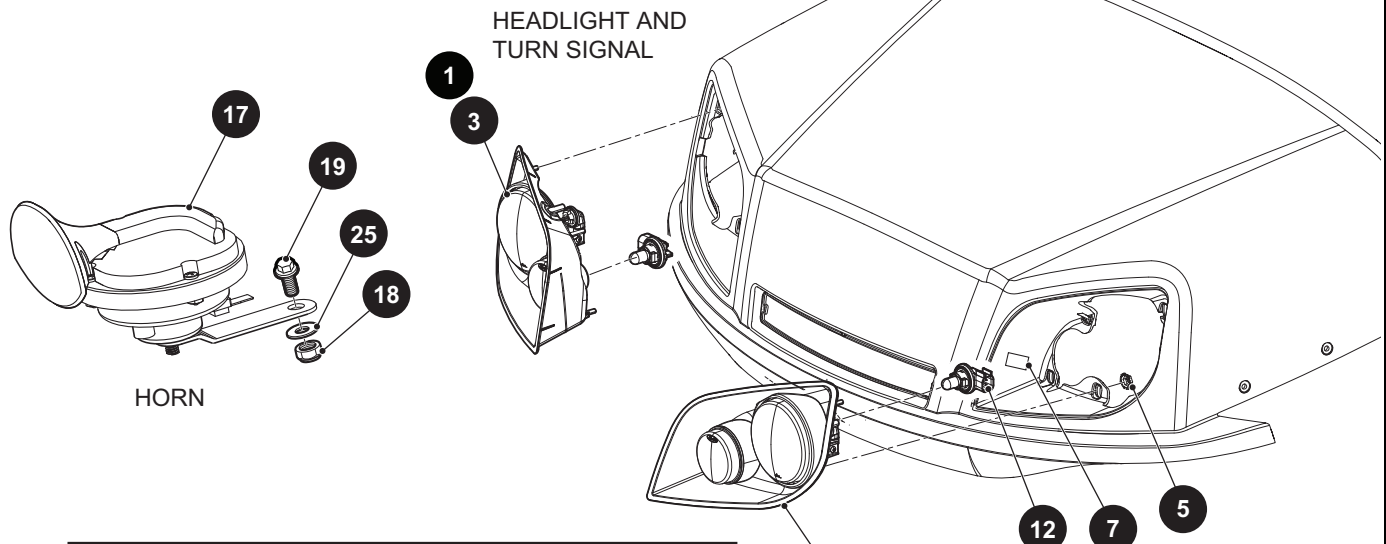
When ordering parts, please specify the model and serial number of the product.

* Indicates a component that is not available as an individual part.

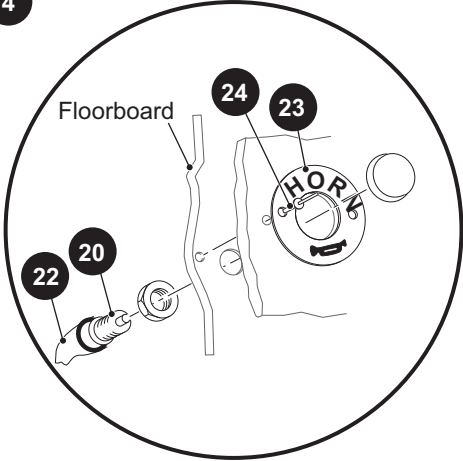
*** Indicates consult Customer Service Department for additional information.

ITEM	PART NO.	1 2 3 4 5	DESCRIPTION	QTY.
1	613271		CONTINUOUS TONE BUZZER.....	1
2	01041G01		RIVET, 1/8" X 13/16" LG	2
3				
4	22674G1		FUSE BLOCK	1
5	01041G01		RIVET, 1/8" X 13/16" LG	2
6	18392G1		15 AMP FUSE	AR
7	33639G**		KEY SWITCH WITH LIGHTS.....	1
8	00568G6		LOCK WASHER, 3/4"	1
9	17137G1		FACE NUT, 3/4" - 20	1
10				
11				
12	74693G02		CONSOLE INSERT ASSEMBLY (INCLUDES ITEMS 13 - 14).....	1
13	73522G03		CONSOLE INSERT PLATE.....	1
14	20271G10		HOLE PLUG	1
15				
16				
17	33623G02		DRIVE RIVET, 3/16" X 3/8" LG	3
18				
19				
20				
21	73030G12		CONSOLE PLATE	1
22	74322G01		CONSOLE PLATE DECAL.....	1
23	33623G02		DRIVE RIVET, 3/16" X 3/8" LG	2
24	624514G02		DIRECTION SELECTOR SWITCH.....	1
25	33636G05		STATE OF CHARGE METER (SOC).....	1
26				
27	25978G74		WIRE ASSEMBLY RED #18 (NOT ILLUSTRATED)	1
28	35966G03		BALL HOLDER DECAL (NOT ILLUSTRATED).....	1

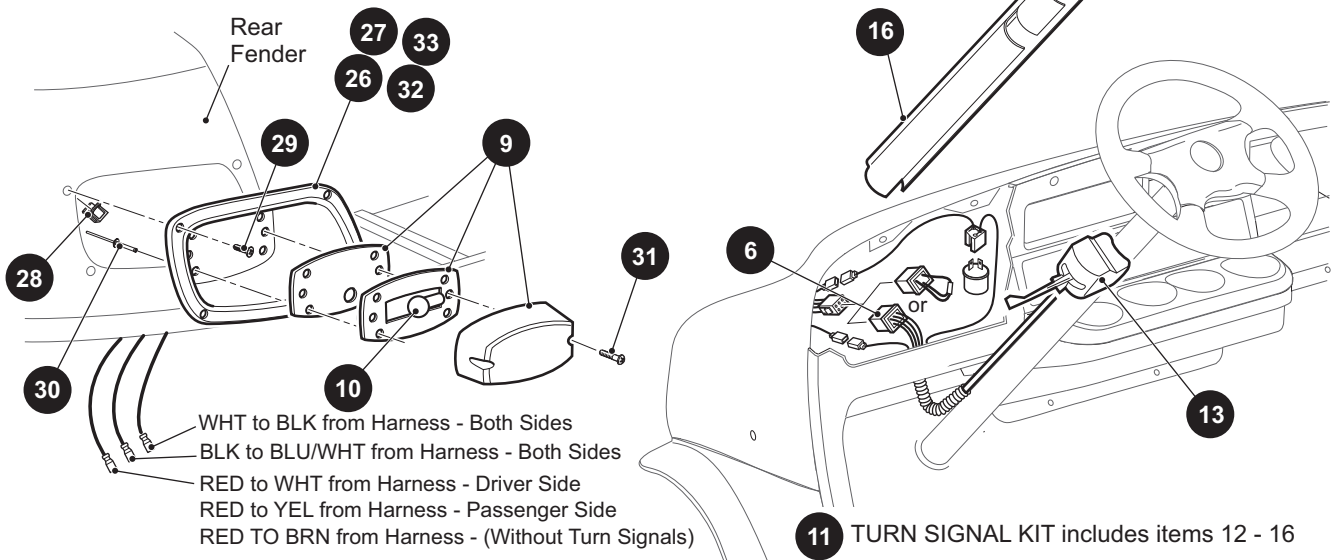
ELECTRICAL SYSTEM



- 3** LED HEADLIGHT ASSEMBLY (PASSENGER SIDE) includes item 8
- 4** LED HEADLIGHT ASSEMBLY (DRIVER SIDE) includes item 8



TAILLIGHTS



- WHT to BLK from Harness - Both Sides
- BLK to BLU/WHT from Harness - Both Sides
- RED to WHT from Harness - Driver Side
- RED to YEL from Harness - Passenger Side
- RED TO BRN from Harness - (Without Turn Signals)

ELECTRICAL SYSTEM

THE USE OF NON U.L. PARTS WILL VOID ANY U.L. LISTING.

When ordering parts, please specify the model and serial number of the product.

* Indicates a component that is not available as an individual part.

*** Indicates consult Customer Service Department for additional information.

ITEM	PART NO.	1 2 3 4 5	DESCRIPTION	QTY.
1	614497		HEADLIGHT WITHOUT TURN SIGNAL (PASSENGER SIDE)	1
2	614501		HEADLIGHT WITHOUT TURN SIGNAL (DRIVER SIDE)	1
3	659008		LED HEADLIGHT ASSEMBLY (PASSENGER SIDE) (INCLUDES ITEM 8)...	1
4	659009		LED HEADLIGHT ASSEMBLY (DRIVER SIDE) (INCLUDES ITEM 8)	1
5	71597G01		SELF THREADING NUT, 5 X 10 X 15MM	8
6	666161		WIRE HARNESS (ACCESSORY) 48V DC	1
7	71781G02		VINYL TAPE	2
8	651411G03		LED HEADLIGHT	1
9	22288G2		TAILLIGHT ASSEMBLY (INCLUDES ITEM 10)	2
10	21759G1		TAILLIGHT BULB	1
11	622661		TURN SIGNAL KIT (INCLUDES ITEMS 12 - 16).....	1
12	619102		TURN SIGNAL BULB	2
13	611810		TURN SIGNAL SWITCH ASSEMBLY.....	1
14	31539G1		NYLON CLAMP (NOT ILLUSTRATED).....	1
15	19344G1		ELECTRICAL VINYL TAPE (NOT ILLUSTRATED)	1
16	20965G3		STEERING COLUMN COVER	1
17	32860G01		HORN.....	1
18	14390G4		LOCK NUT 1/4" - 20	1
19	00414G5		HEX HEAD BOLT, 1/4" - 20 X .62" LG	1
20	17318G1		HORN SWITCH	1
21	654465		JUMPER HARNESS, LED HEADLIGHT	1
22	27068G01		HORN SWITCH BOOT	1
23	608397		HORN SWITCH LABEL	1
24	71055G01		RIVET (ALUMINUM), 3/16" X 1" LG	2
25	00559G7		FLAT WASHER, 1/4".....	1
26	625251		TAILLIGHT BEZEL (DRIVER SIDE).....	1
27	625252		TAILLIGHT BEZEL (PASSENGER SIDE).....	1
28	71364G02		J-CLIP	8
29	71425G01		FLAT HEAD PHILLIPS TAPPING SCREW, #8 - 18 X 3/4" LG.....	8
30	14601G11		RIVET (ALUMINUM), 3/16" X 9/16" LG	4
31	00513G4		PAN HEAD PHILLIPS SCREW, #8 - 18 X 1 1/2" LG	4

ELECTRICAL SYSTEM

THE USE OF NON U.L. PARTS WILL VOID ANY U.L. LISTING.

When ordering parts, please specify the model and serial number of the product.

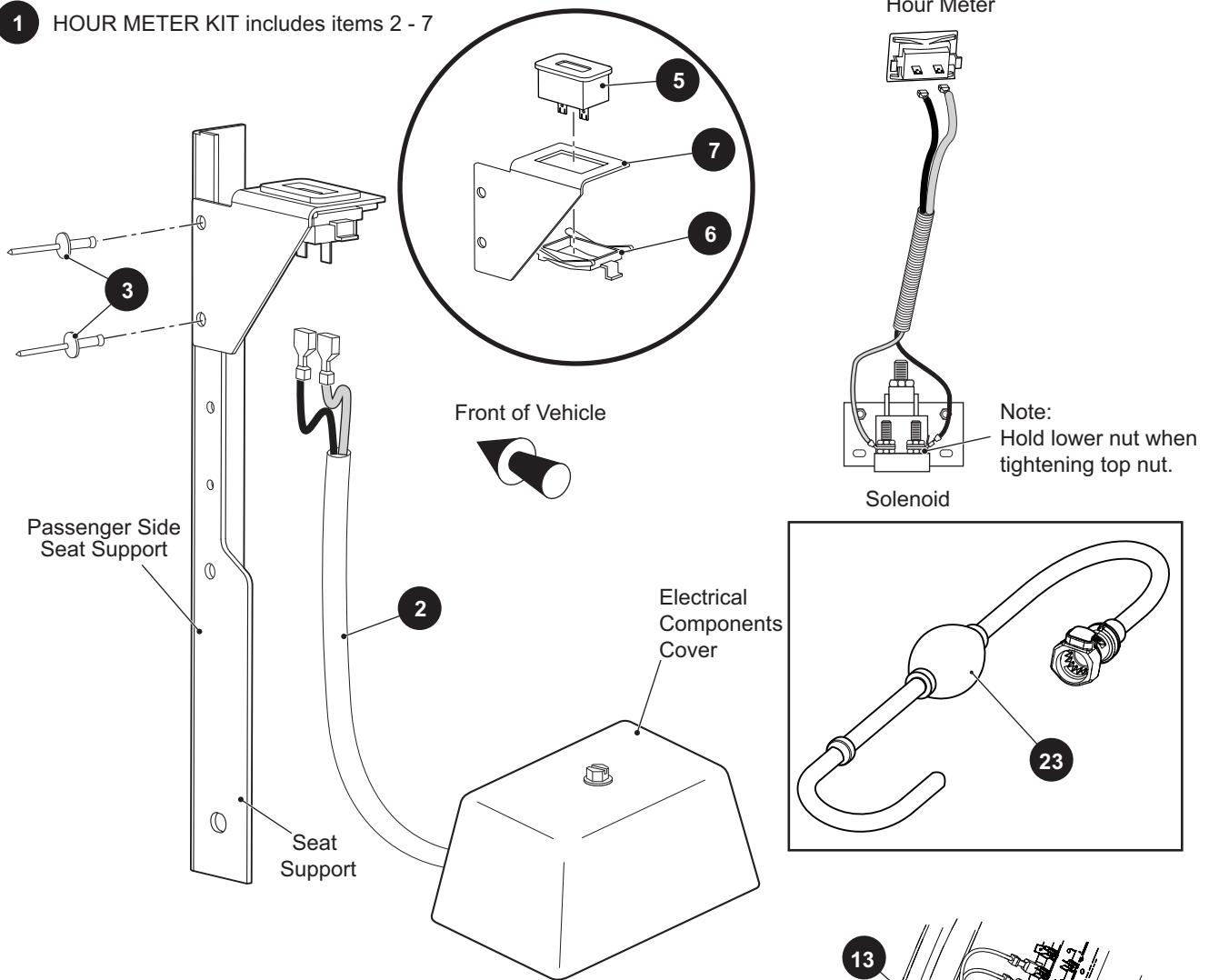
* Indicates a component that is not available as an individual part.

*** Indicates consult Customer Service Department for additional information.

ITEM	PART NO.	1 2 3 4 5	DESCRIPTION	QTY.
32	74371G01		TAILLIGHT BEZEL (DRIVER SIDE) (FOR VEHICLES MANUFACTURED BEFORE MAY 2014).....	1
33	74371G02		TAILLIGHT BEZEL (PASSENGER SIDE) (FOR VEHICLES MANUFACTURED BEFORE MAY 2014).....	1

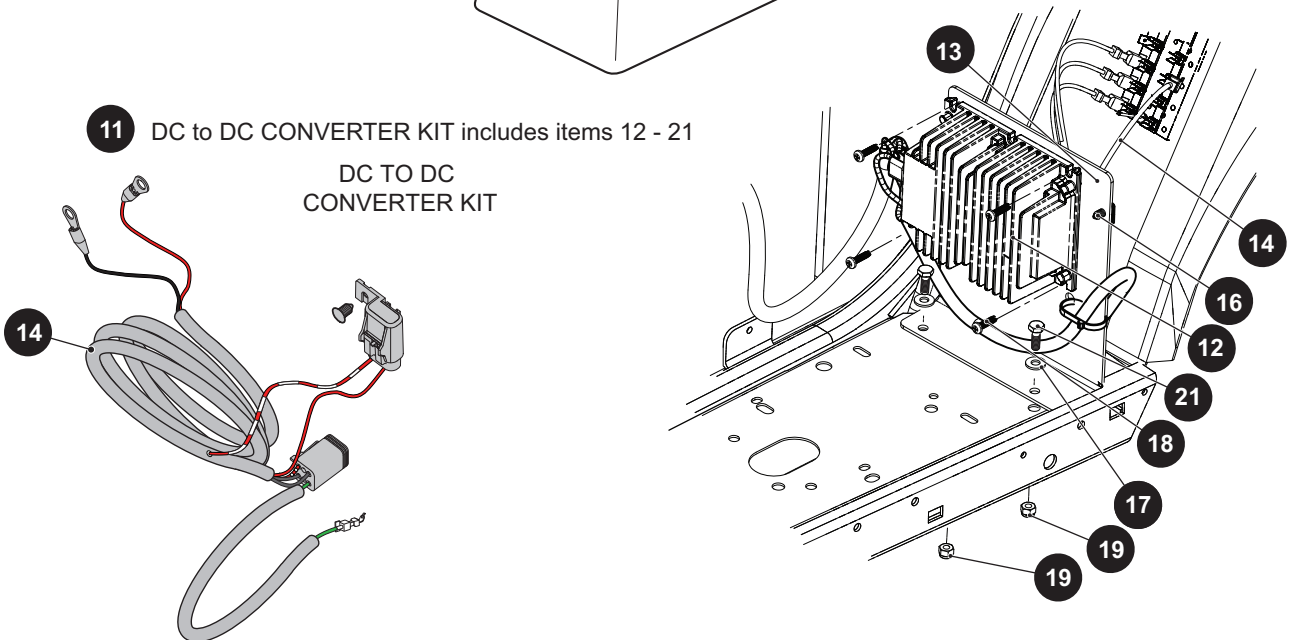
ELECTRICAL SYSTEM

1 HOUR METER KIT includes items 2 - 7



11 DC to DC CONVERTER KIT includes items 12 - 21

DC TO DC
CONVERTER KIT



ELECTRICAL SYSTEM

THE USE OF NON U.L. PARTS WILL VOID ANY U.L. LISTING.

When ordering parts, please specify the model and serial number of the product.

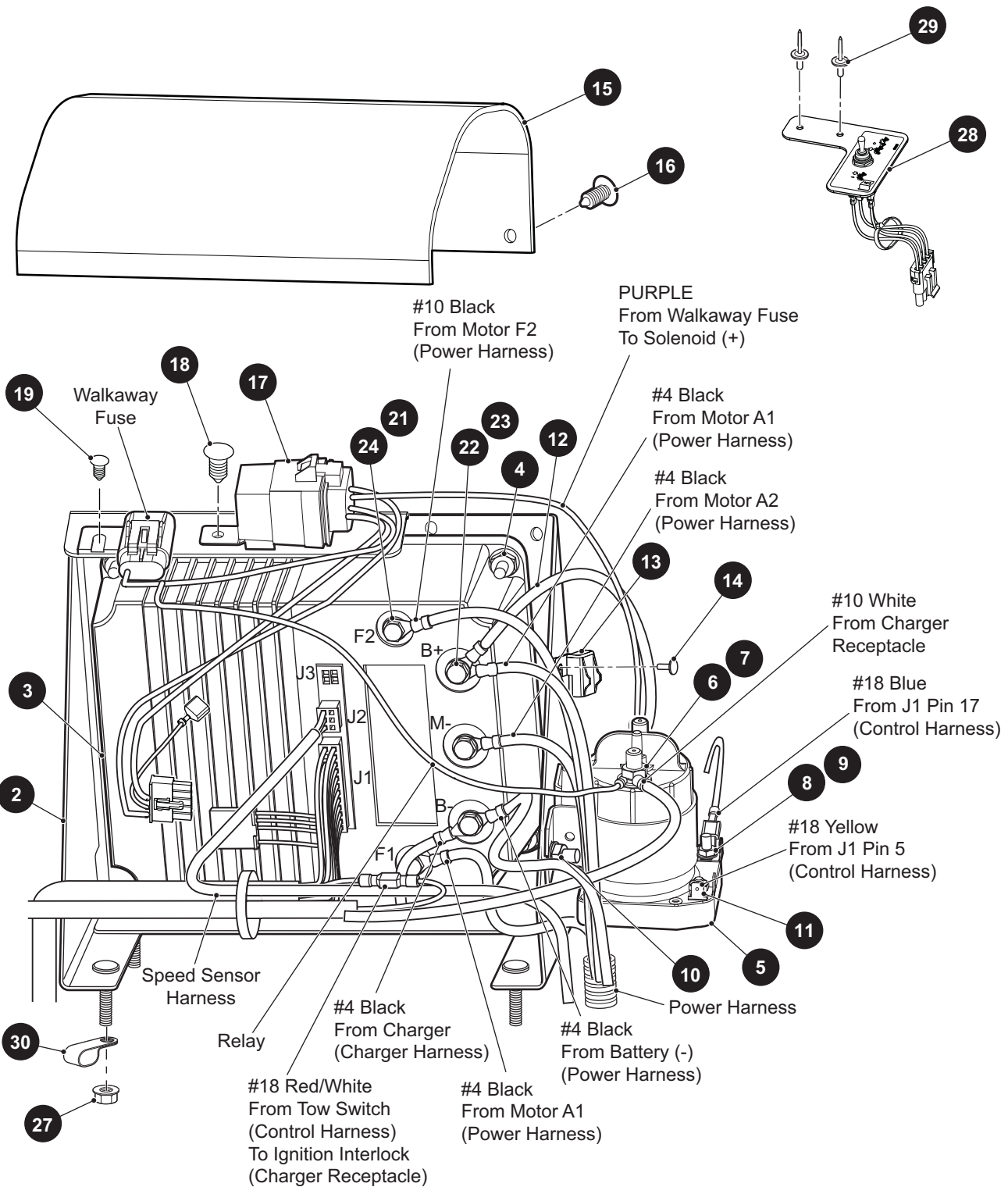
* Indicates a component that is not available as an individual part.

*** Indicates consult Customer Service Department for additional information.

ITEM	PART NO.	1 2 3 4 5	DESCRIPTION	QTY.
1	74914G02		HOUR METER KIT (INCLUDES ITEMS 2 - 7).....	1
2	74908G01		HOUR METER HARNESS	1
3	10570G11		RIVET (SS), 3/16" X 3/4" LG	2
4	74720G01		HOUR METER ASSEMBLY (INCLUDES ITEMS 5 - 7).....	1
5	74665G02		HOUR METER.....	1
6	74696G01		RETAINER CLIP	1
7	74716G02		HOUR METER BRACKET	1
8	17618G1		NYLON CLAMP (NOT ILLUSTRATED).....	2
9				
10				
11	605750		DC TO DC CONVERTER KIT (INCLUDES ITEMS 12 - 21).....	1
12	632185		DC-DC CONVERTER.....	1
13	633303		BRACKET.....	1
14	605888		HARNESS	1
15	17618G1		NYLON CLAMP (NOT ILLUSTRATED).....	4
16	16816G5		RACHET RIVET, .187 X .550 (NOT ILLUSTRATED)	1
17	00559G7		FLAT WASHER, 1/4"	2
18	632372		TAPPING SCREW, #10 - 24 X 1/2" LG	4
19	14390G4		LOCK NUT, 1/4" - 20	2
20	19344G1		ELECTRICAL VINYL TAPE (NOT ILLUSTRATED)	1
21	00414G6		HEX HEAD BOLT, 1/4" - 20 X .75" LG.....	2
22				
23	676122		TROJAN HAND PUMP KIT.....	1

ELECTRONIC SPEED CONTROL

1 ELECTRONIC SPEED CONTROL ASSEMBLY includes items 2 - 24



ELECTRONIC SPEED CONTROL

THE USE OF NON U.L. PARTS WILL VOID ANY U.L. LISTING.

When ordering parts, please specify the model and serial number of the product.

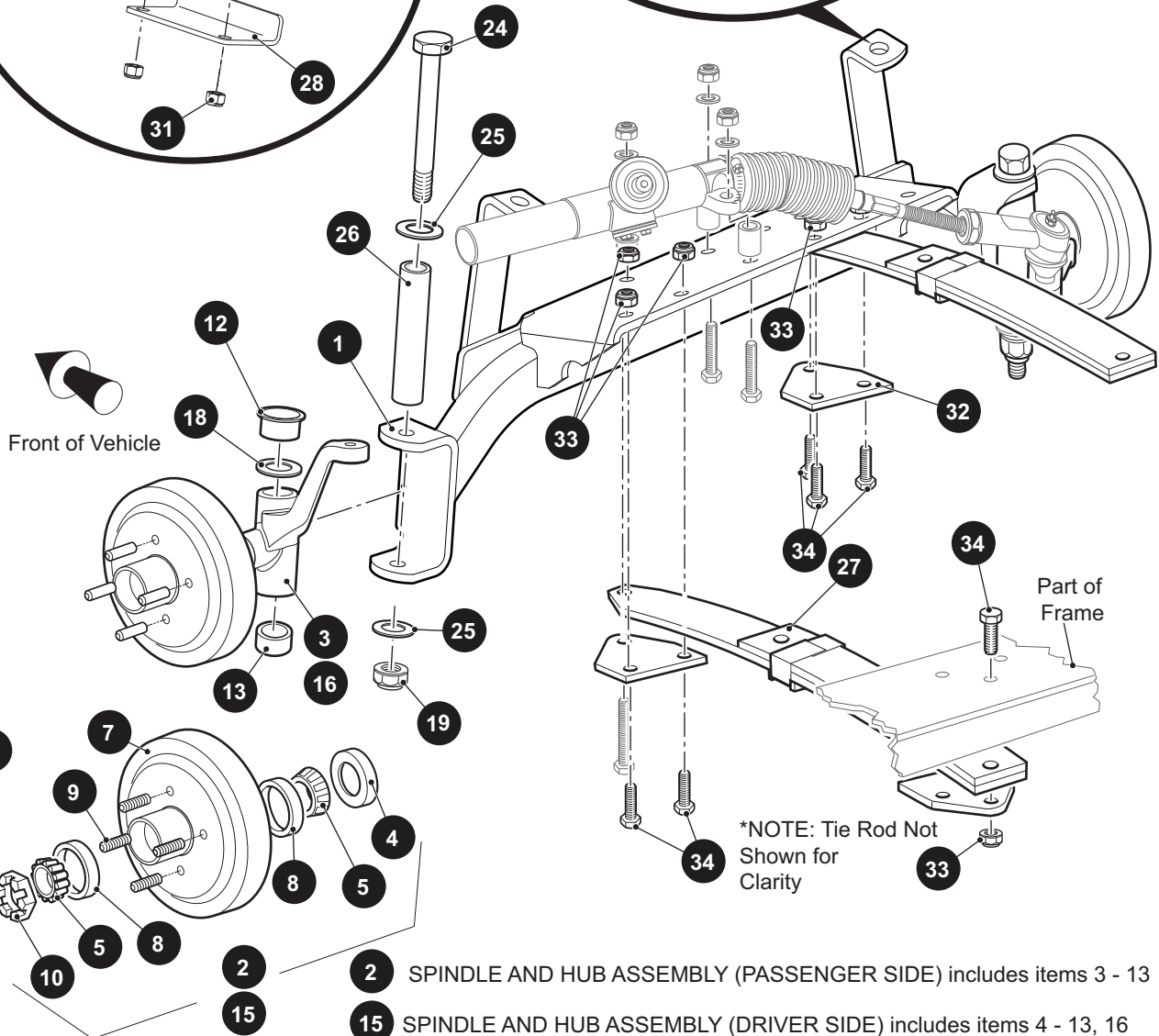
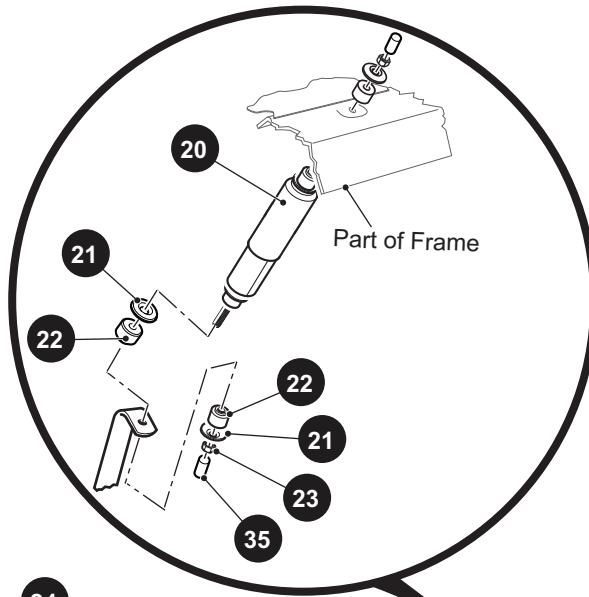
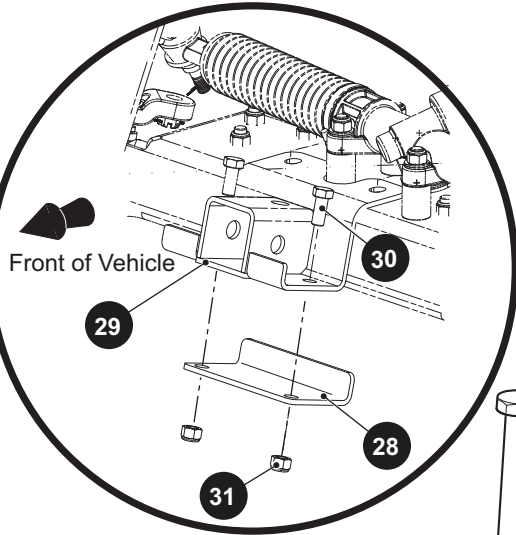
* Indicates a component that is not available as an individual part.

*** Indicates consult Customer Service Department for additional information.

ITEM	PART NO.	1 2 3 4 5	DESCRIPTION	QTY.
1	658629		ELECTRONIC SPEED CONTROL ASSEMBLY (INCLUDES ITEMS 2 -24)	1
2	73351G01		CONTROLLER MOUNT BRACKET	1
3	611173		ELECTRONIC SPEED CONTROLLER.....	1
4	11027G2		LOCK NUT, 1/4" - 20	4
5	621330		SOLENOID	1
6	00565G5		LOCK WASHER, #10	2
7	00526G4		LOCK NUT, #10 - 32.....	2
8	00565G8		LOCK WASHER, 5/16"	2
9	00544G4		JAM NUT, 5/16" - 24	2
10	11027G2		LOCK NUT, 1/4" - 20	2
11	73446G01		FASTON TAB, 90°	4
12	25971G17		4 GA WIRE (BLACK 9").....	1
13	73499G01		INLINE FUSE COVER.....	1
14	15058G1		RIVET (ALUMINUM), 3/16" X 7/16" LG.....	1
15	73523G01		CONTROLLER COVER	1
16	16816G1		RATCHET FASTENER, 1/4" X 9/16" LG	4
17	608931		WALKAWAY RELAY HARNESS, 48V	1
18	16816G2		RIVET, 0.25" X 0.887"	1
19	16816G5		RIVET, 0.187" X 0.550"	1
20				
21	00993G02		LOCK WASHER (SILICON BRONZE), 1/4"	2
22	73296G01		HEX HEAD BOLT, M8 X 1.25 X 16MM LG	3
23	00993G01		LOCK WASHER (SILICON BRONZE), 5/16"	3
24	73876G01		FLANGED SCREW, 12MM LG.....	2
25	73277G01		RETAINER RING (NOT ILLUSTRATED)	1
26	35212G01		FUSE, 15 AMP (NOT ILLUSTRATED).....	1
27	11027G2		LOCK NUT, 1/4" - 20.....	4
28	636618		TOW SWITCH ASSEMBLY	1
29	15058G1		RIVET (ALUMINUM), 3/16" X 7/16" LG	2
30	73053G01		DOUBLE TUBE CLAMP	1

FRONT SUSPENSION AND STEERING

6 HUB ASSEMBLY includes items 7 - 9



2 SPINDLE AND HUB ASSEMBLY (PASSENGER SIDE) includes items 3 - 13

15 SPINDLE AND HUB ASSEMBLY (DRIVER SIDE) includes items 4 - 13, 16

FRONT SUSPENSION AND STEERING

THE USE OF NON U.L. PARTS WILL VOID ANY U.L. LISTING.

When ordering parts, please specify the model and serial number of the product.

* Indicates a component that is not available as an individual part.

*** Indicates consult Customer Service Department for additional information.

ITEM	PART NO.	1 2 3 4 5	DESCRIPTION	QTY.
1	652823		FRONT AXLE.....	1
2	70930G02		SPINDLE AND HUB ASSEMBLY (PASSENGER SIDE) (INCLUDES ITEMS 3 - 13)	1
3	70802G01		SPINDLE ASSEMBLY (PASSENGER SIDE)	1
4	25146G1		GREASE SEAL.....	1
5	11750G2		ROLLER BEARING AND RACE ASSEMBLY	2
6	72590G01		HUB ASSEMBLY (INCLUDES ITEMS 7 - 9)	1
7	74332G01		WHEEL HUB.....	1
8	51141G1		BEARING RACE	2
9	36038G01		WHEEL STUD, 1/2" - 20 X 2" LG.....	4
10	12093G1		CASTELLATED NUT, 1" - 14.....	1
11	00798G8		COTTER PIN, 5/32" X 1 3/4" LG	1
12	632925		FLANGED BUSHING, 25MM	1
13	632926		SLEEVE BUSHING, 25MM	1
14				
15	70931G02		SPINDLE AND HUB ASSEMBLY (DRIVER SIDE) (INCLUDES ITEMS 4 - 13, 16)	1
16	70803G01		SPINDLE ASSEMBLY (DRIVER SIDE).....	1
17				
18	70754G01		THRUST WASHER (SS), 1"	2
19	14390G6		LOCK NUT, 1/2" - 13.....	2
20	76419G01		SHOCK ABSORBER.....	2
21	10435G1		SHOCK ABSORBER WASHER, 1.25" O.D. X .406" I.D.	8
22	10194G1		RUBBER BUSHING, 1" O.D. X .34" I.D.....	8
23	00532G6		HEX NUT, 3/8" - 24	4
24	00407G6		KING PIN BOLT, 1/2" - 13 X 6" LG.....	2
25	00560G3		FLAT WASHER, 1/2".....	4
26	70745G01		KING PIN TUBE.....	2
27	70990G03		CANTILEVER LEAF SPRING.....	2
28	604572		WINCH PLATE.....	4
29	635202		WINCH RECEIVER.....	3
30	00462G8		HEX HEAD BOLT, 7/16" - 14 X 1" LG	4

FRONT SUSPENSION AND STEERING

THE USE OF NON U.L. PARTS WILL VOID ANY U.L. LISTING.

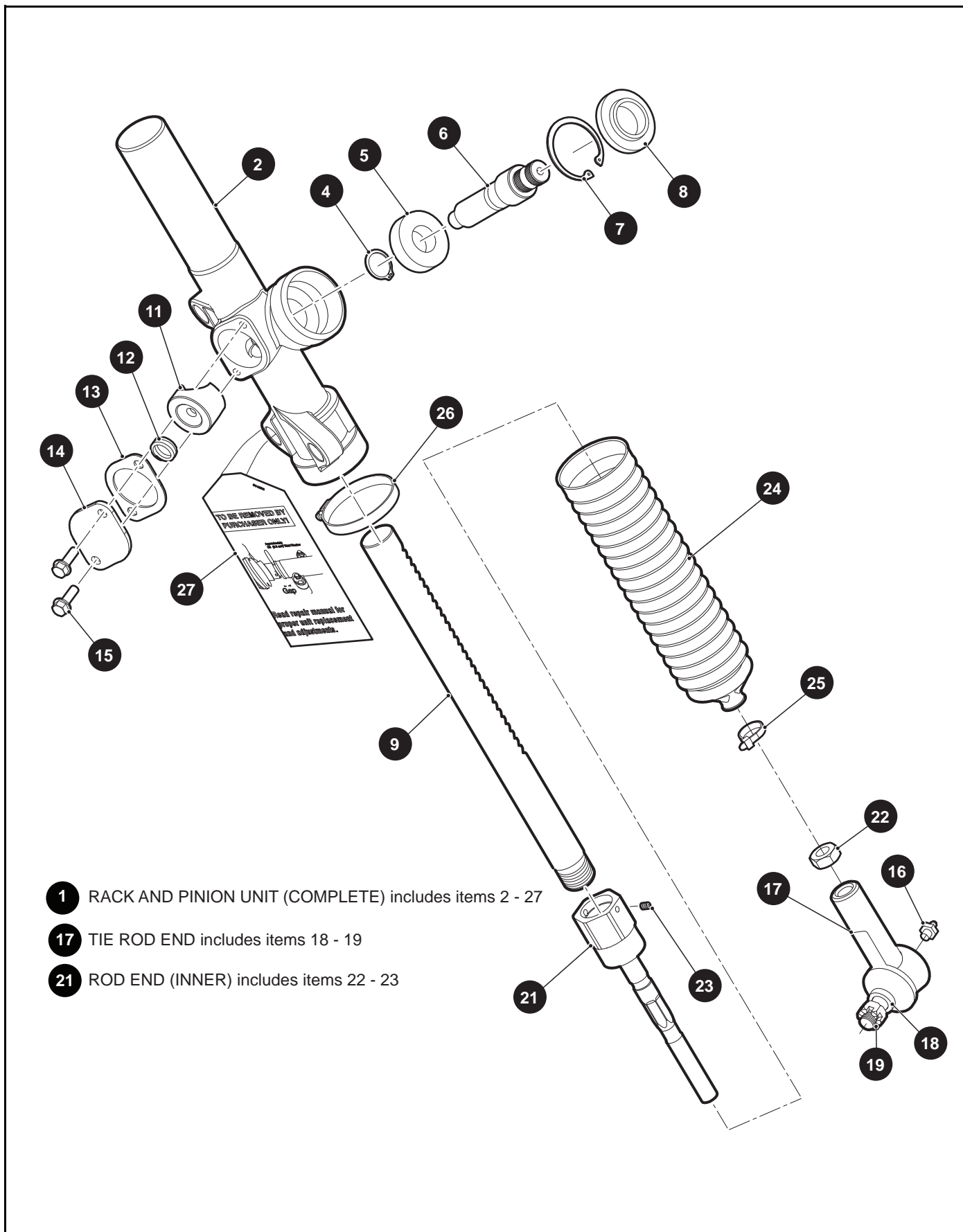
When ordering parts, please specify the model and serial number of the product.

* Indicates a component that is not available as an individual part.

*** Indicates consult Customer Service Department for additional information.

ITEM	PART NO.	1 2 3 4 5	DESCRIPTION	QTY.
31	00734G1		LOCK NUT, 7/16" - 14	4
32	652258		SPRING PLATE.....	4
33	00734G1		LOCK NUT, 7/16" - 14	12
34	00463G11		HEX HEAD BOLT, 7/16" - 14 X 1 3/4" LG.....	12
35	10044G01		VINYL CAP	4

FRONT SUSPENSION AND STEERING



FRONT SUSPENSION AND STEERING

THE USE OF NON U.L. PARTS WILL VOID ANY U.L. LISTING.

When ordering parts, please specify the model and serial number of the product.

* Indicates a component that is not available as an individual part.

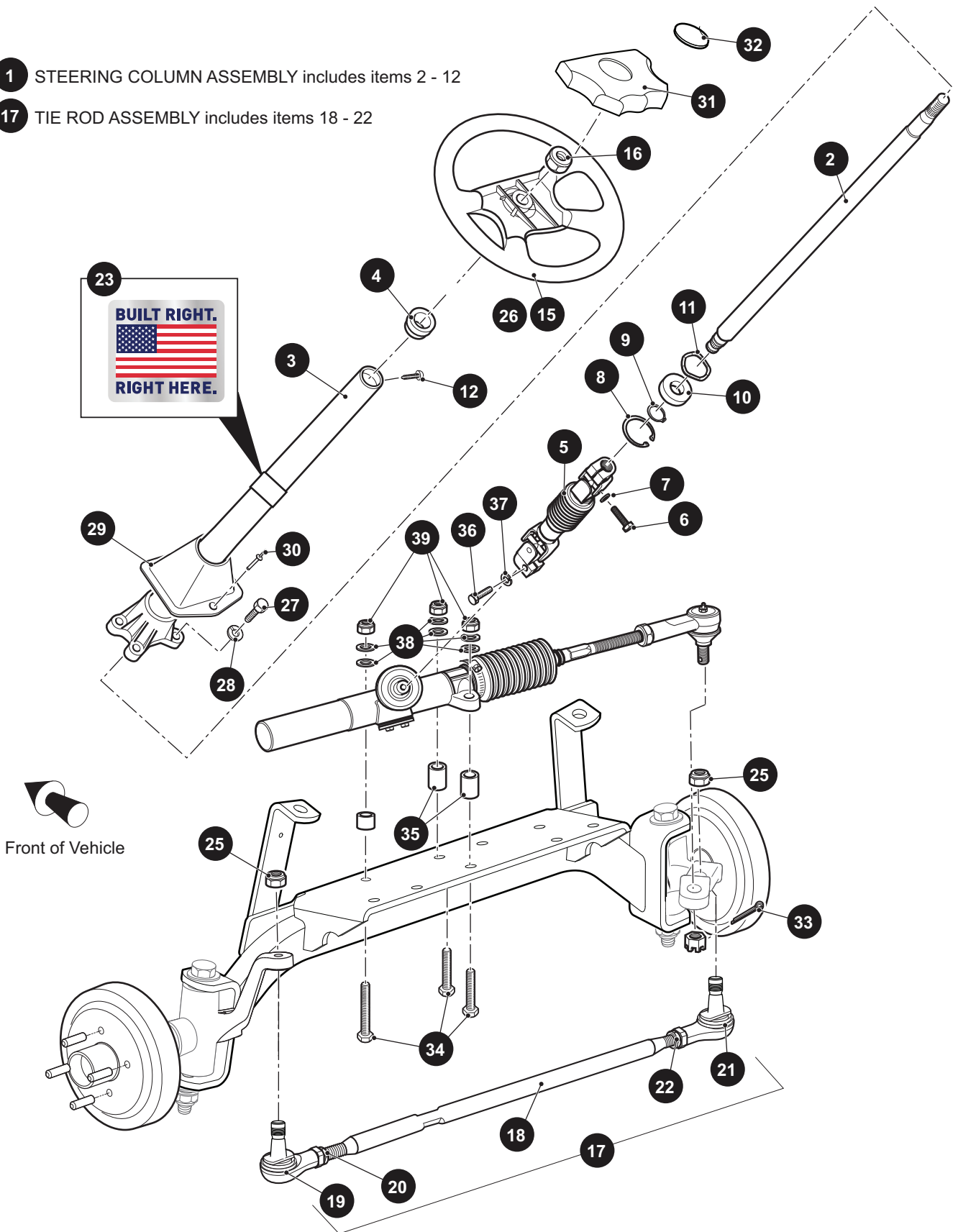
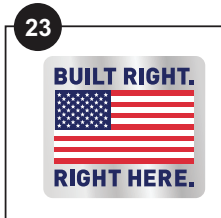
*** Indicates consult Customer Service Department for additional information.

ITEM	PART NO.	1 2 3 4 5	DESCRIPTION	QTY.
1	70964G01		RACK AND PINION UNIT (COMPLETE) (INCLUDES ITEMS 2 - 27)	1
2	70965G01		STEERING RACK COVER AND BEARING	1
3				
4	70750G01		RETAINING RING (EXTERNAL)	1
5	15112G1		BALL BEARING	1
6	70603G01		PINION	1
7	70751G01		RETAINING RING (INTERNAL)	1
8	70638G01		SEAL PINION	1
9	70604G01		STEERING RACK	1
10				
11	70590G01		RACK LOADER	1
12	70666G01		SPRING COMPRESSION	1
13	70645G01		GASKET (RACK LOADER)	1
14	652259		COVER (RACK LOADER)	1
15	71102G01		HEX HEAD TAPTITE SCREW, 1/4" - 20 X 3/4" LG	2
16	10389G3		GREASE FITTING, STRAIGHT	1
17	70695G01		TIE ROD END (INCLUDES ITEMS 18 - 19)	1
18	50641G1		RUBBER BOOT	1
19	*		SLOTTED NUT, 7/16" - 20	1
20				
21	70694G01		ROD END (INNER) (INCLUDES ITEMS 22 - 23)	1
22	*		JAM NUT, 1/2" - 20	1
23	*		SET SCREW, #10 - 32 x .25" LG	1
24	70961G01		RACK BOOT	1
25	12416G2		NYLON CLAMP	1
26	11391G8		HOSE CLAMP, 1 13/16" - 2 3/8"	1
27	604238		STEERING BOX TAG	1

FRONT SUSPENSION AND STEERING

1 STEERING COLUMN ASSEMBLY includes items 2 - 12

17 TIE ROD ASSEMBLY includes items 18 - 22



FRONT SUSPENSION AND STEERING

THE USE OF NON U.L. PARTS WILL VOID ANY U.L. LISTING.

When ordering parts, please specify the model and serial number of the product.

* Indicates a component that is not available as an individual part.

*** Indicates consult Customer Service Department for additional information.

ITEM	PART NO.	1 2 3 4 5	DESCRIPTION	QTY.
1	70758G05		STEERING COLUMN ASSEMBLY (INCLUDES ITEMS 2 - 12)	1
2	70607G01		STEERING SHAFT.....	1
3	70610G03		STEERING COLUMN.....	1
4	28569G01		STEERING COLUMN BUSHING	1
5	70580G01		INTERMEDIATE SHAFT	1
6	01055G01		HEX HEAD BOLT, M8 X 1.25 LG	1
7	00565G8		LOCK WASHER, 5/16"	1
8	70751G01		RETAINING RING (INTERNAL)	1
9	70888G01		RETAINING RING (EXTERNAL).....	1
10	15112G1		BALL BEARING.....	1
11	70887G01		WAVE WASHER.....	1
12	01022G01		HEX HEAD BOLT, #6 - 20 x 5/16" LG	1
13				
14				
15	602980		STEERING WHEEL (PREMIUM).....	1
16	14390G2		LOCK NUT, 5/8" - 18.....	1
17	70876G02		TIE ROD ASSEMBLY (INCLUDES ITEMS 18 - 22).....	1
18	70897G02		THREADED ROD (24" LG)	1
19	70902G01		TIE ROD END (LEFT HAND THREADS).....	1
20	01069G01		JAM NUT, M12 X 1.25 (LEFT HAND THREADS).....	1
21	70902G02		TIE ROD END (RIGHT HAND THREADS).....	1
22	01069G02		JAM NUT, M12 X 1.25 (RIGHT HAND THREADS)	1
23	685698		DECAL, MADE IN USA.....	1
24				
25	00734G1		LOCK NUT, 7/16" - 14.....	2
26	602979		STEERING WHEEL	1
27	01006G01		HEX HEAD BOLT, 3/8" - 16 x 1 1/4" LG.....	4
28	00879G1		FLAT WASHER, 3/8"	4
29	70997G01		STEERING COLUMN BASE COVER.....	1
30	71055G01		RIVET, 3/16" DIA.....	1
31	71147G01		STEERING WHEEL COVER	1

FRONT SUSPENSION AND STEERING

THE USE OF NON U.L. PARTS WILL VOID ANY U.L. LISTING.

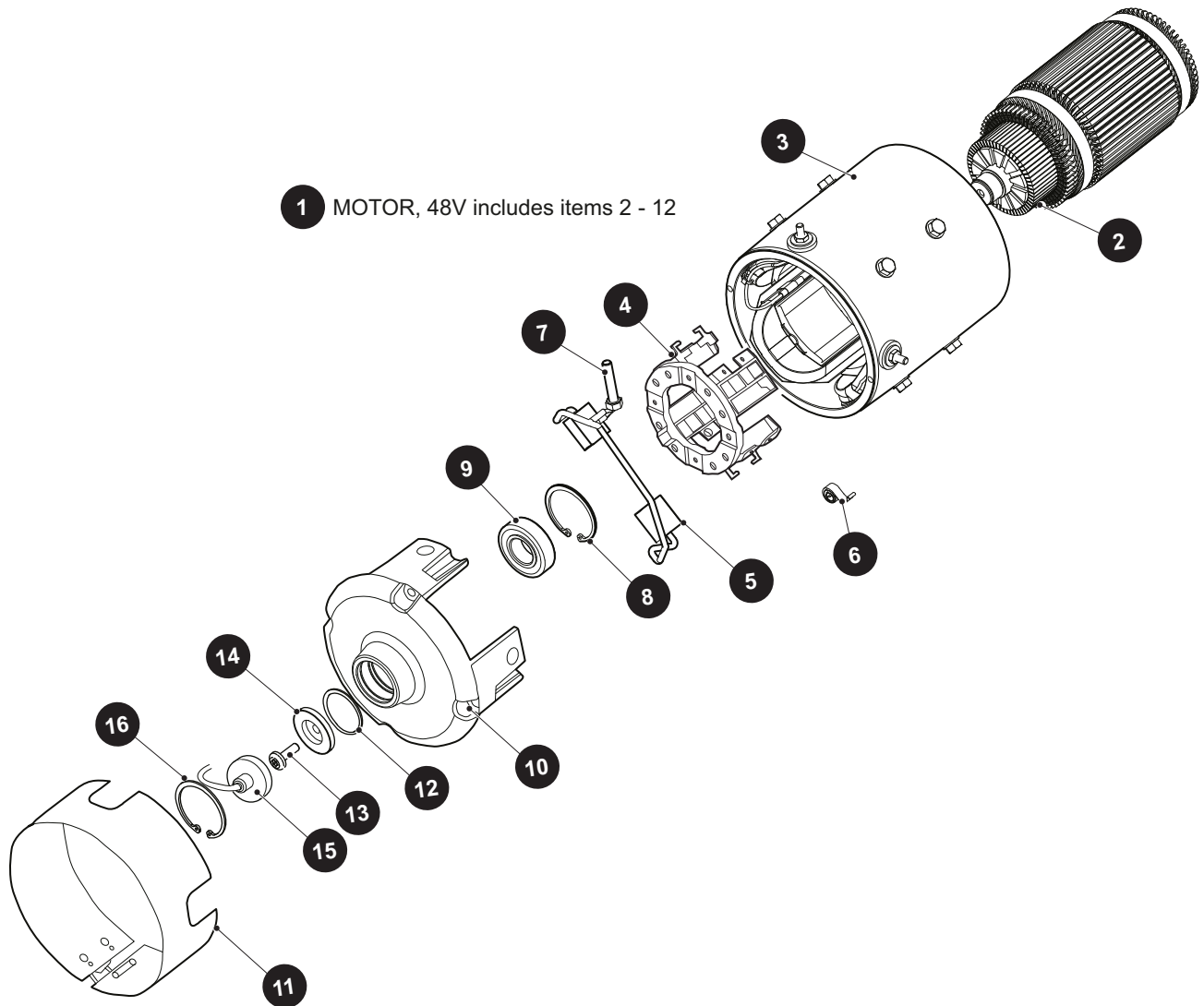
When ordering parts, please specify the model and serial number of the product.

* Indicates a component that is not available as an individual part.

*** Indicates consult Customer Service Department for additional information.

ITEM	PART NO.	1	2	3	4	5	DESCRIPTION	QTY.
32	605435						E-Z-GO STEERING WHEEL DECAL	1
33	10387G2						COTTER PIN, 3/32" X 1" LG	1
34	00464G6						HEX HEAD BOLT, 7/16" - 14 X 2 3/4" LG	3
35	70667G02						SPACER, 1.21"	3
36	01055G01						HEX HEAD BOLT, M8 X 1.25 LG	1
37	00565G8						LOCK WASHER, 5/16"	1
38	00560G2						FLAT WASHER, 7/16"	6
39	00734G1						LOCK NUT, 7/16" - 14	3

MOTOR



THE USE OF NON U.L. PARTS WILL VOID ANY U.L. LISTING.

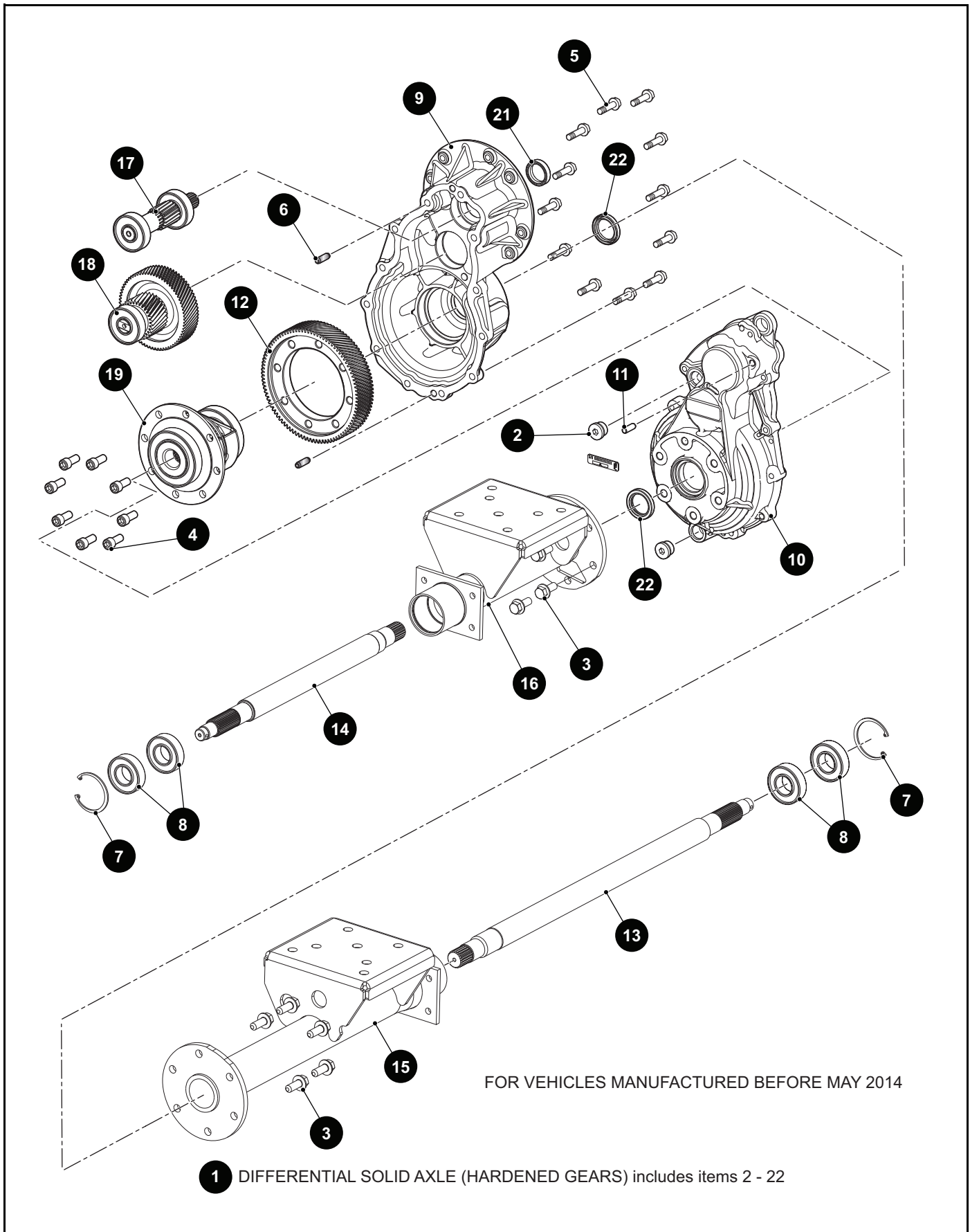
When ordering parts, please specify the model and serial number of the product.

* Indicates a component that is not available as an individual part.

*** Indicates consult Customer Service Department for additional information.

ITEM	PART NO.	1 2 3 4 5	DESCRIPTION	QTY.
1	628660		MOTOR, 48V (INCLUDES ITEMS 2 - 12).....	1
2	73120G34		ARMATURE ASSEMBLY.....	1
3	73120G37		FRAME & FIELD ASSEMBLY	1
4	73120G40		BRUSH PLATE ASSEMBLY (WITH SPRINGS).....	1
5	73120G39		BRUSH	8
6	73120G38		SPRING.....	8
7	73120G41		BRUSH LEAD & TERMINAL SERVICE KIT	1
8	73120G06		RETAINING RING	1
9	73120G07		BEARING	1
10	624909		COMMUTATOR ENDHEAD	1
11	73120G43		HEADBAND ASSEMBLY.....	1
12	624109		O-RING, 1.36" I.D.	1
13	01037G02		PAN HEAD SCREW, #10 - 32 X 1/2" LG	1
14	73328G01		SPEED SENSOR MAGNET	1
15	73327G04		SPEED SENSOR.....	1
16	73277G01		RETAINING RING.....	1

REAR AXLE



THE USE OF NON U.L. PARTS WILL VOID ANY U.L. LISTING.

When ordering parts, please specify the model and serial number of the product.

* Indicates a component that is not available as an individual part.

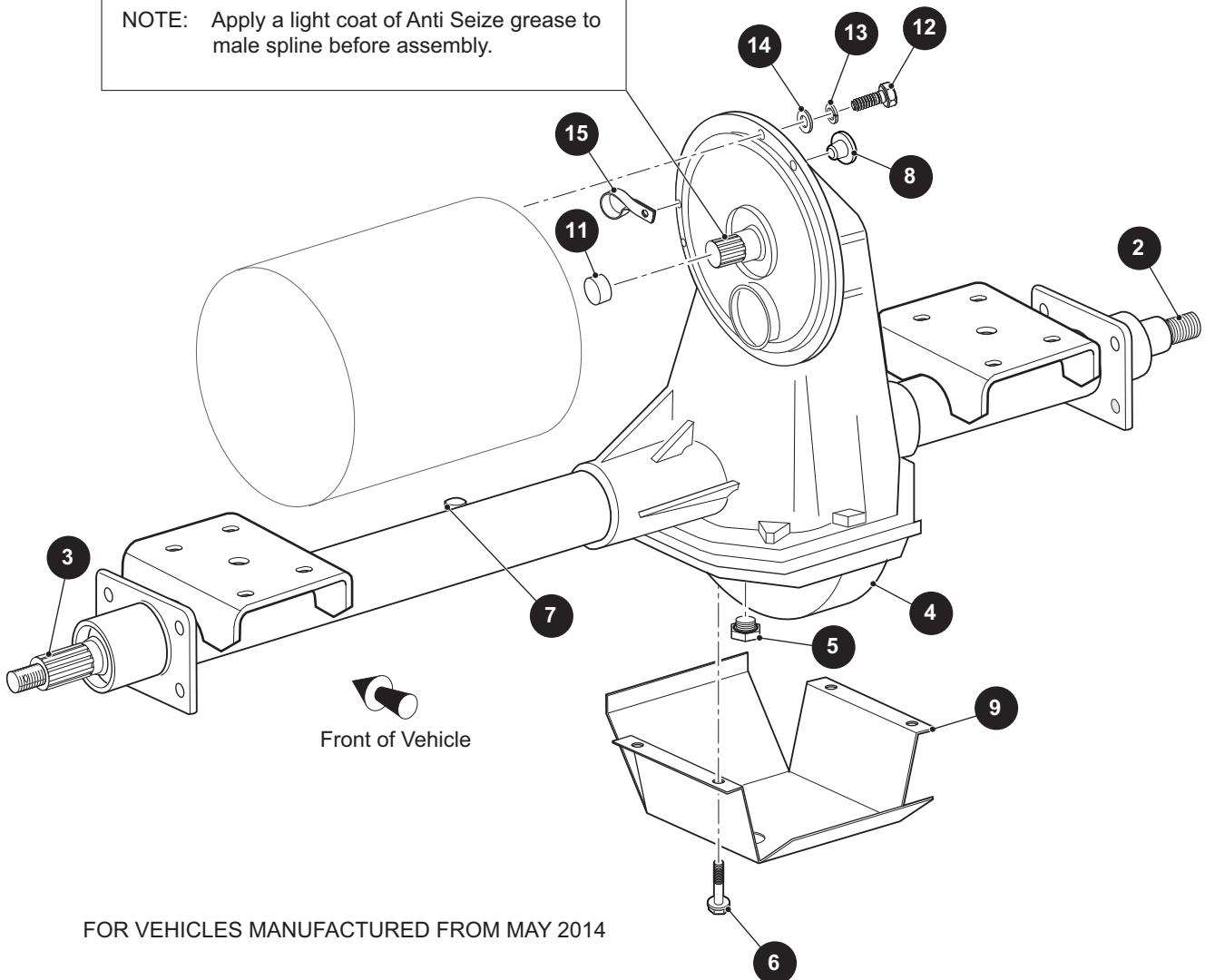
*** Indicates consult Customer Service Department for additional information.

ITEM	PART NO.	1 2 3 4 5	DESCRIPTION	QTY.
1	631165		DIFFERENTIAL SOLID AXLE (HARDENED GEARS) (INCLUDES ITEMS 2 - 22)	1
2	*		HEX HOLLOW PLUG, 3/4" - 16	2
3	*		HEX HEAD SCREW, 3/8" - 16 X 1" LG	12
4	*		HEX HEAD SCREW, 3/8" - 24MM LG	8
5	*		TAPPING SCREW, 5/16" - 18 X 1.25" LG	12
6	*		PIN, 5/16" X 1" LG	2
7	*		RETAINING RING, 52MM	2
8	*		BALL BEARING, 25MM X 52MM X 15MM	4
9	*		GEARCASE - MACH (DRIVER SIDE)	1
10	*		GEARCASE - MACH (PASSENGER SIDE)	1
11	*		VENT TUBE, 1/4"	1
12	*		HELICAL OUTPUT GEAR	1
13	*		AXLE (DRIVER SIDE)	1
14	*		AXLE (PASSENGER SIDE)	1
15	*		AXLE TUBE WELDMENT (DRIVER SIDE)	1
16	*		AXLE TUBE WELDMENT (PASSENGER SIDE)	1
17	*		SHAFT MOTOR INPUT SUBASSEMBLY	1
18	*		INTERMEDIATE SHAFT SUBASSEMBLY	1
19	*		DIFFERENTIAL SUBASSEMBLY	1
20	*		VENT CAP PLUG, 5/16" (NOT ILLUSTRATED)	1
21	*		TRIPLE LIP SEAL, 25 X 35 X 7.8	1
22	*		DUAL LIP SEAL, 29 X 42 X 7	2

REAR AXLE

- 1 REAR AXLE ASSEMBLY includes items 2 - 7
- 18 REAR AXLE ASSEMBLY W/LSD includes items 2 - 7

NOTE: Apply a light coat of Anti Seize grease to male spline before assembly.



REAR AXLE

THE USE OF NON U.L. PARTS WILL VOID ANY U.L. LISTING.

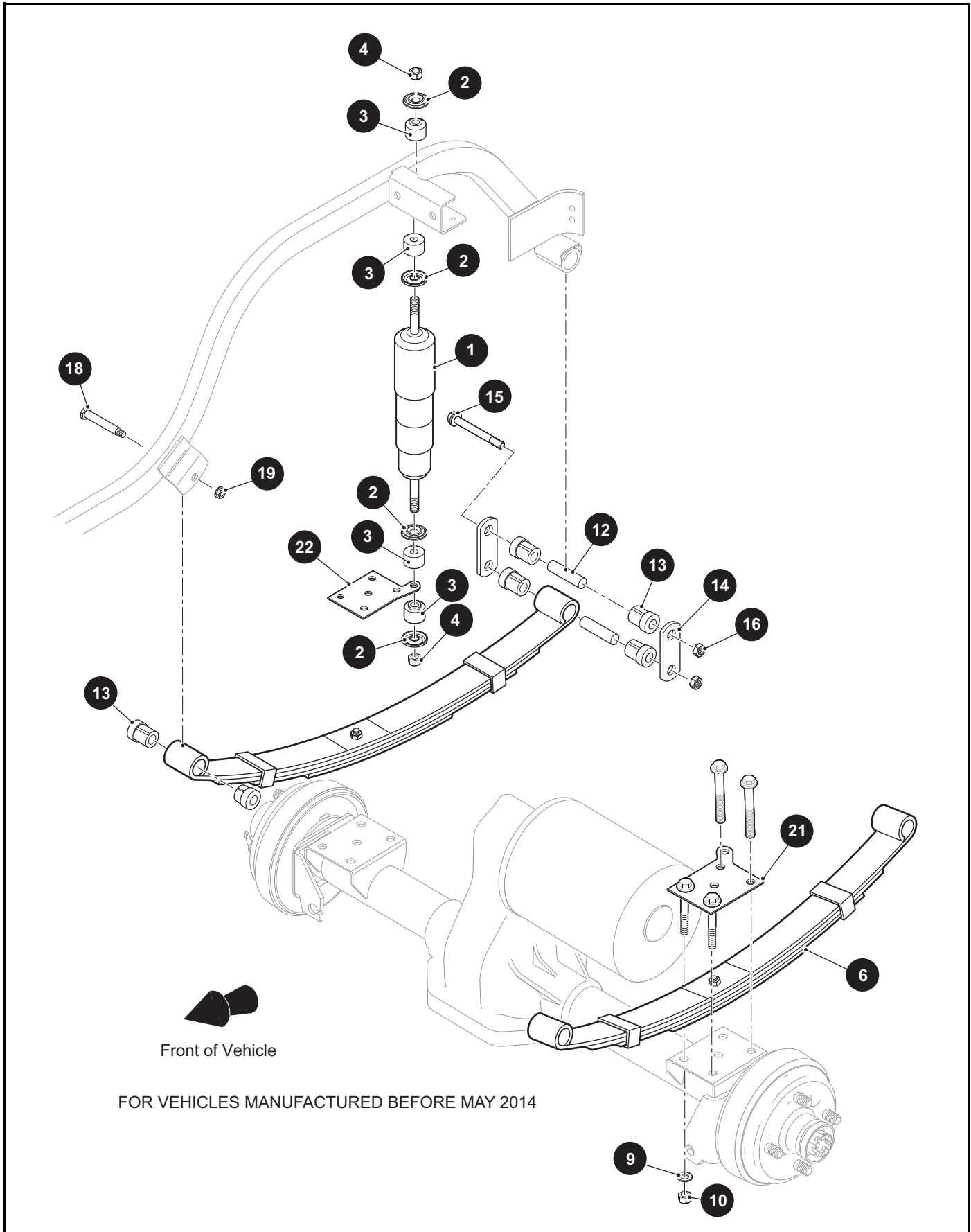
When ordering parts, please specify the model and serial number of the product.

* Indicates a component that is not available as an individual part.

*** Indicates consult Customer Service Department for additional information.

ITEM	PART NO.	1 2 3 4 5	DESCRIPTION	QTY.
1	74776G01		REAR AXLE ASSEMBLY (INCLUDES ITEMS 2 - 7).....	1
2	617609		AXLE SHAFT (PASSENGER SIDE).....	1
3	617608		AXLE SHAFT (DRIVER SIDE)	1
4	612823		DIFFERENTIAL COVER	1
5	601085		HEX HEAD PLUG	1
6	15558G1		HEX HEAD FLANGED BOLT, 5/16" - 18 X 3/4" LG.....	10
7	73050G01		VENT VALVE	1
8	624110		PLUG	3
9	72764G02		SCUFF GUARD	1
10				
11	24261G1		SPLINE BUMPER	1
12	00797G2		HEX HEAD BOLT, 1/4" - 20 X 1 1/4" LG	3
13	00664G7		LOCK WASHER (SS), 1/4"	3
14	01110G01		FLAT WASHER (SS), 1/4"	3
15	27327G01		CLAMP	1
16				
17				
18	617150		REAR AXLE ASSEMBLY W/LSD (INCLUDES ITEMS 2 - 7).....	1

REAR SUSPENSION



REAR SUSPENSION

THE USE OF NON U.L. PARTS WILL VOID ANY U.L. LISTING.

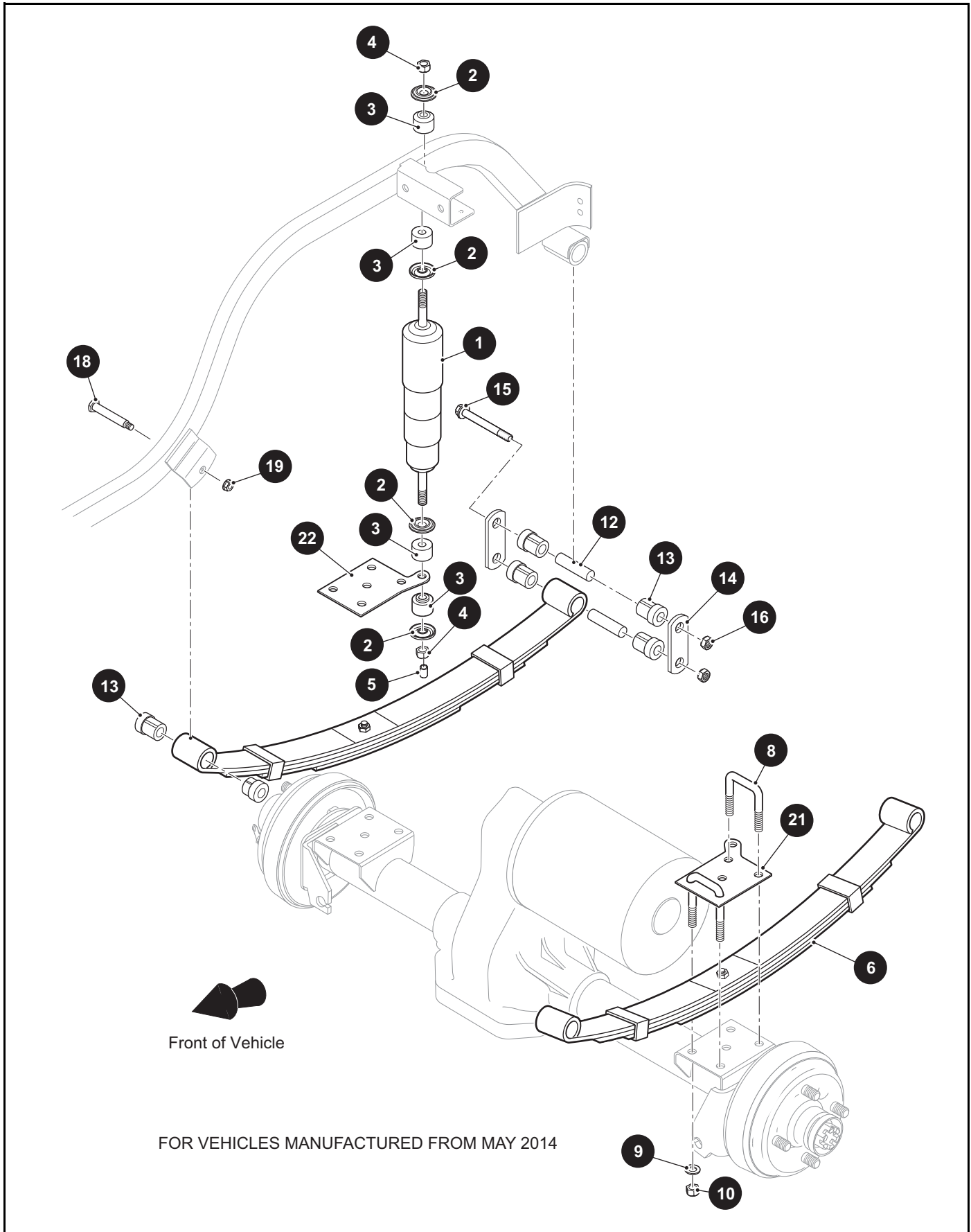
When ordering parts, please specify the model and serial number of the product.

* Indicates a component that is not available as an individual part.

*** Indicates consult Customer Service Department for additional information.

ITEM	PART NO.	1 2 3 4 5	DESCRIPTION	QTY.
1	633674		SHOCK ABSORBER.....	2
2	634006		SHOCK ABSORBER WASHER.....	8
3	634005		RUBBER BUSHING.....	8
4	606255		HEX JAM NUT, M10 X 1.25	4
5				
6	616098		LEAF SPRING	2
7				
8				
9	306981		FLAT WASHER, 3/8".....	8
10	616675		LOCK NUT, M10 X 1.5.....	8
11				
12	70289G02		SPLIT STEEL SPACER	4
13	624030		FLANGED BUSHING.....	12
14	652245		SHACKLE PLATE	4
15	00665G9		HEX HEAD BOLT (SS), 3/8" - 16 X 3 1/2" LG	4
16	11098G5		LOCK NUT, 3/8" - 16.....	4
17				
18	14158G1		SHOULDER BOLT, 3/8" - 16 X 3 1/4" LG	2
19	12262G1		FLANGED LOCK NUT, 3/8" - 16.....	2
20				
21	633028		SHOCK ABSORBER MOUNTING PLATE (DRIVER SIDE)	1
22	633029		SHOCK ABSORBER MOUNTING PLATE (PASSENGER SIDE).....	1

REAR SUSPENSION



REAR SUSPENSION

THE USE OF NON U.L. PARTS WILL VOID ANY U.L. LISTING.

When ordering parts, please specify the model and serial number of the product.

* Indicates a component that is not available as an individual part.

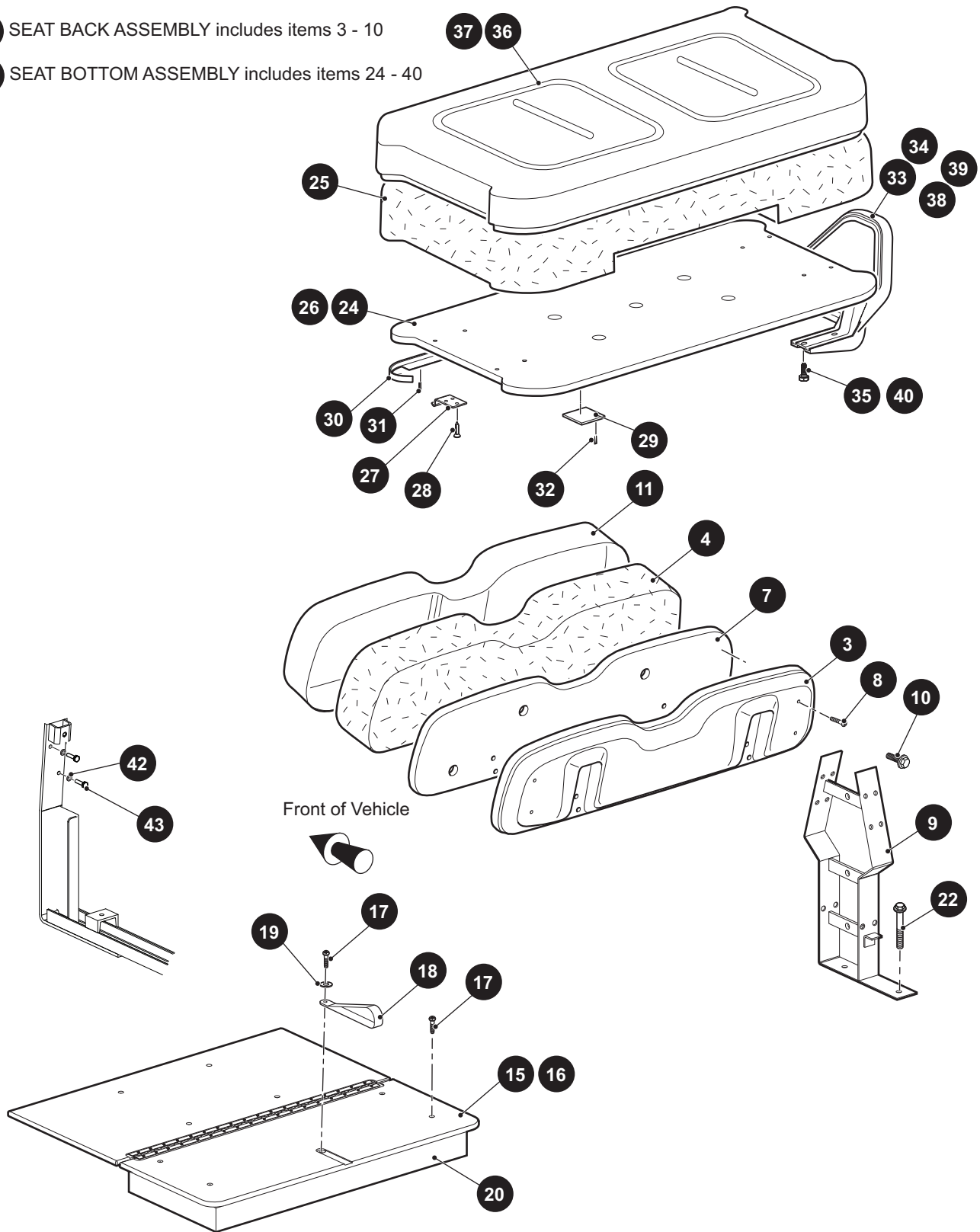
*** Indicates consult Customer Service Department for additional information.

ITEM	PART NO.	1 2 3 4 5	DESCRIPTION	QTY.
1	76418G01		SHOCK ABSORBER.....	2
2	10435G1		SHOCK ABSORBER WASHER.....	8
3	10194G1		RUBBER BUSHING, 1" O.D. X 0.34" I.D.....	8
4	00532G6		HEX NUT, 3/8" - 24	4
5	10044G01		VINYL CAP.....	2
6	75721G01		LEAF SPRING	2
7				
8	72618G01		'U' BOLT, 3/8" - 16 X 2" X 2 1/2" LG.....	4
9	00560G1		FLAT WASHER, 3/8".....	8
10	11098G5		LOCK NUT, 3/8" - 16.....	8
11				
12	70289G02		SPLIT SPACER (STEEL), 0.5" DIA.....	4
13	624030		FLANGED BUSHING, 21.6MM OD X 13.2MM I.D.	12
14	652245		SHACKLE PLATE	4
15	00665G9		HEX HEAD BOLT (SS) , 3/8" - 16 X 3 1/2" LG	4
16	11098G5		LOCK NUT, 3/8" - 16.....	4
17				
18	14158G1		HEX HEAD SHOULDER BOLT, 3/8" - 16 X 3 1/4" LG	2
19	12262G1		FLANGED LOCK NUT, 3/8" - 16.....	2
20				
21	620733		SHOCK ABSORBER MOUNTING PLATE (DRIVER SIDE)	1
22	620736		SHOCK ABSORBER MOUNTING PLATE (PASSENGER SIDE).....	1

SEATING

1 SEAT BACK ASSEMBLY includes items 3 - 10

23 SEAT BOTTOM ASSEMBLY includes items 24 - 40



14 FLIP FLOP SEAT BOTTOM ASSEMBLY includes items 20

THE USE OF NON U.L. PARTS WILL VOID ANY U.L. LISTING.

When ordering parts, please specify the model and serial number of the product.

* Indicates a component that is not available as an individual part.

*** Indicates consult Customer Service Department for additional information.

ITEM	PART NO.	1 2 3 4 5	DESCRIPTION	QTY.
1	***		SEAT BACK ASSEMBLY (INCLUDES ITEMS 3 - 10)..... 71751G02 GRAY 71751G03 OYSTER 71751G04 TAN 71751G07 BLACK 604908 WHITE/BLUE 604907 WHITE/RED 71751G06 BROWN 620794 WHITE/YELLOW 620796 GRAY/BLACK 606828 RED/BLACK 615838 WHITE/BLACK 615837 OYSTER/GARNET	1
2				
3	71752G01		SEAT BACK REAR COVER	1
4	71754G01		FOAM PADDING	1
5				
6				
7	645021		SEAT BACK BASE	1
8	01107G01		PAN HEAD TORX SCREW (SS), #8 X 5/8" LG.....	4
9	615730		SEAT BACK SUPPORT	2
10	71204G01		HEX HEAD BOLT, 1/4" - 20 X .88" LG.....	8
11	***		VINYL SEAT BACK COVER	1
			71753G03 OYSTER	
			71753G04 TAN	
			71753G07 BLACK	
			71753G02 GRAY	
			71753G06 BROWN	
			71753G01 WHITE	
			71753G05 SPECIAL	
			604916G0103 WHITE/RED (FOR VEHICLES MANUFACTURED BEFORE MAY 2014)	
			604916G0704 GRAY/BLACK (FOR VEHICLES MANUFACTURED BEFORE MAY 2014)	
			604916G0108 WHITE/YELLOW (FOR VEHICLES MANUFACTURED BEFORE MAY 2014)	
12				
13				
14	***		FLIP FLOP SEAT BOTTOM ASSEMBLY (INCLUDES ITEM 20)..... 632837G01 OYSTER 632837G03 TAN	1

SEATING

THE USE OF NON U.L. PARTS WILL VOID ANY U.L. LISTING.

When ordering parts, please specify the model and serial number of the product.

* Indicates a component that is not available as an individual part.

*** Indicates consult Customer Service Department for additional information.

ITEM	PART NO.	1	2	3	4	5	DESCRIPTION	QTY.
		632837G04					GRAY	
		632837G06					BLACK	
		632837G07					BROWN	
		632837G09					WHITE/BLUE	
		632837G10					RED/BLACK	
		632837G11					WHITE/RED	
		632837G12					WHITE/BLACK	
		632837G13					WHITE/YELLOW	
		632837G14					GRAY/BLACK	
		632837G15					OYSTER/GARNET	
		621027					TAN (FOR VEHICLES MANUFACTURED BEFORE MAY 2014)	
		621026					OYSTER (FOR VEHICLES MANUFACTURED BEFORE MAY 2014)	
		621031					WHITE/BLUE (FOR VEHICLES MANUFACTURED BEFORE MAY 2014)	
		621036					BLACK (FOR VEHICLES MANUFACTURED BEFORE MAY 2014)	
		621032					WHITE/RED (FOR VEHICLES MANUFACTURED BEFORE MAY 2014)	
		621034					WHITE/YELLOW (FOR VEHICLES MANUFACTURED BEFORE MAY 2014)	
		621035					GRAY/BLACK (FOR VEHICLES MANUFACTURED BEFORE MAY 2014)	
		617895					GRAY (FOR VEHICLES MANUFACTURED BEFORE MAY 2014)	
		617897					BROWN (FOR VEHICLES MANUFACTURED BEFORE MAY 2014)	
15	617137	DECK BOARD ASSEMBLY (FOR VEHICLES MANUFACTURED BEFORE MAY 2014)						1
16	634190	DECK BOARD ASSEMBLY						1
17	16705G1	TRUSS HEAD PHILLIPS SCREW (SS), 1/4" - 20 X 1" LG						5
18	617402	SEAT STRAP						1
19	00559G7	FLAT WASHER, 1/4"						1
20	***	FLIP FLOP VINYL SEAT BOTTOM.....						1
		615646					OYSTER	
		615647					TAN	
		617892					GRAY	
		615648					BLACK	
		617893					BROWN	
		611125					WHITE/BLUE	
		611135					RED/BLACK	
		611126					WHITE/RED	
		611130					WHITE/BLACK	
		611127					WHITE/YELLOW	
		611137					GRAY/BLACK	
		611136					OYSTER/RUBY	

THE USE OF NON U.L. PARTS WILL VOID ANY U.L. LISTING.

When ordering parts, please specify the model and serial number of the product.

* Indicates a component that is not available as an individual part.

*** Indicates consult Customer Service Department for additional information.

ITEM	PART NO.	1 2 3 4 5	DESCRIPTION	QTY.
21				
22	01006G01		HEX WASHER HEAD SCREW, 3/8" - 16 X 1.25" LG	4
23	***		SEAT BOTTOM ASSEMBLY (INCLUDES ITEMS 24 - 40)	1
			629269G0101 OYSTER	
			629269G0103 TAN	
			629269G0104 GRAY	
			629269G0105 WHITE	
			629269G0106 BLACK	
			629269G0107 BROWN	
			629269G0108 CUSTOM SOLID	
			629269G0109 WHITE/BLUE	
			629269G0110 RED/BLACK	
			629269G0111 WHITE/RED	
			629269G0112 WHITE/BLACK	
			629269G0113 WHITE/YELLOW	
			629269G0114 GRAY/BLACK	
			629269G0115 OYSTER/GARNET	
			71611G07 TAN (FOR VEHICLES MANUFACTURED BEFORE MAY 2014)	
			71611G05 OYSTER (FOR VEHICLES MANUFACTURED BEFORE MAY 2014)	
			71611G03 GRAY (FOR VEHICLES MANUFACTURED BEFORE MAY 2014)	
			71611G17 BLACK (FOR VEHICLES MANUFACTURED BEFORE MAY 2014)	
			71611G16 BROWN (FOR VEHICLES MANUFACTURED BEFORE MAY 2014)	
24	645493		SEAT BOTTOM (FOR VEHICLES MANUFACTURED BEFORE MAY 2014)	1
25	71603G02		FOAM PADDING (SEAT BOTTOM)	1
26	645492		SEAT BOTTOM	1
27	71610G01		SEAT HINGE	2
28	00720G08		FLAT HEAD PHILLIPS SCREW (SS), #12 - 14 X 1" LG	6
29	17074G1		RUBBER PAD	2
30	71012G01		VINYL TRIM (SEAT BOTTOM)	1
31	23222G1		FLAT STAPLE	110
32	23223G1		FLAT STAPLE	36
33	617645		HIP RESTRAINT (DRIVER SIDE)	1
34	617644		HIP RESTRAINT (PASSENGER SIDE)	1
35	615417		BUTTON HEAD TORX BOLT (SS), 1/4" - 20 X 1" LG	8
36	***		VINYL SEAT BOTTOM COVER	1

SEATING

THE USE OF NON U.L. PARTS WILL VOID ANY U.L. LISTING.

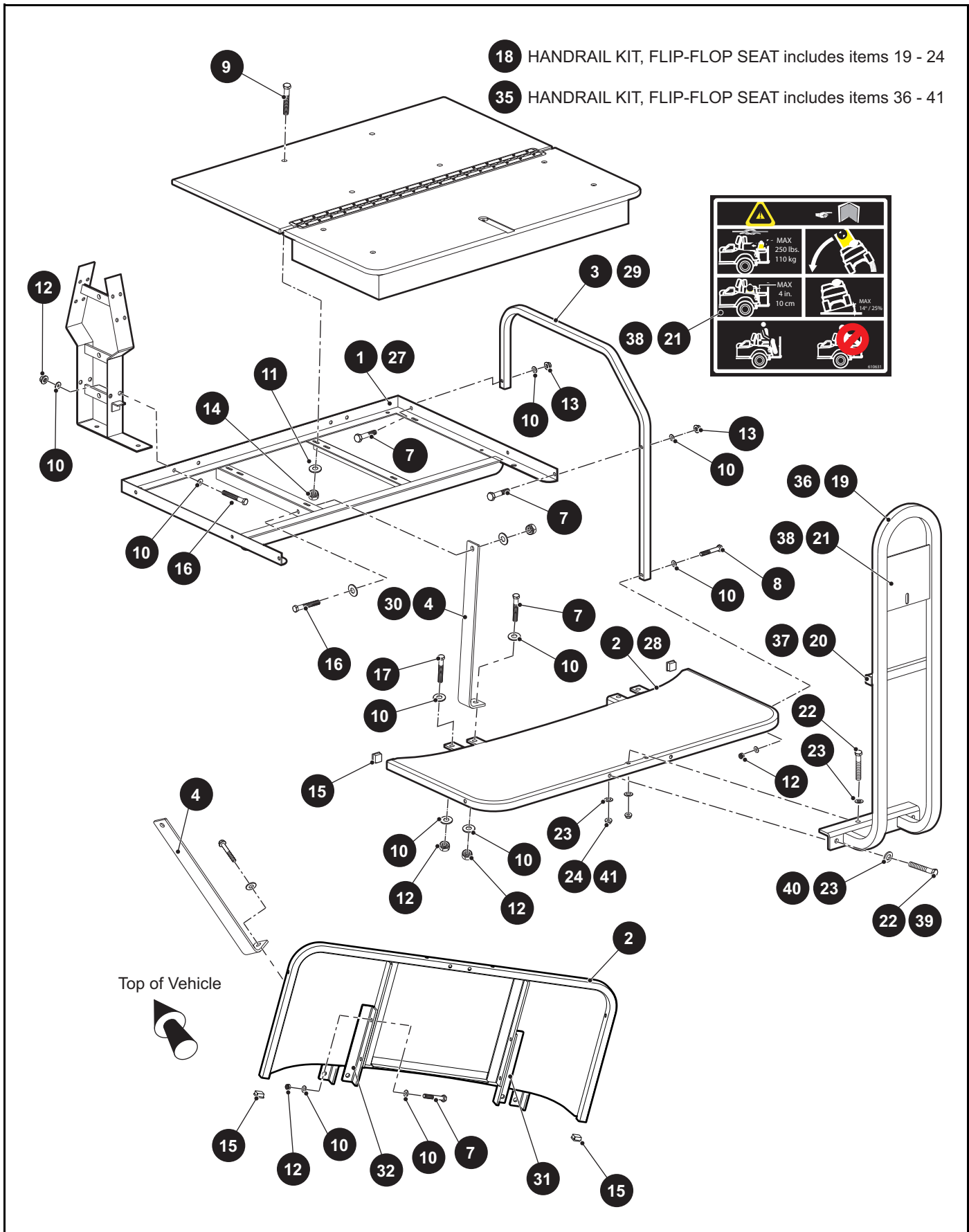
When ordering parts, please specify the model and serial number of the product.

* Indicates a component that is not available as an individual part.

*** Indicates consult Customer Service Department for additional information.

ITEM	PART NO.	1	2	3	4	5	DESCRIPTION	QTY.
37	***						604912G0103 WHITE/RED	1
							604912G0102 WHITE/BLUE	
							604912G0108 WHITE/YELLOW	
							604912G0104 WHITE/BLACK	
							604912G0304 RED/BLACK	
							604912G0506 OYSTER/GARNET	
							604912G0704 GRAY/BLACK	
							SEAT BOTTOM COVER.....	
							71602G01 WHITE	
							71602G02 GRAY	
							71602G03 OYSTER	
							71602G04 TAN	
							71602G05 SPECIAL	
38	71702G01						71602G06 BLACK	1
							71602G07 BROWN	
							604912G0103 WHITE/RED (FOR VEHICLES MANUFACTURED BEFORE MAY 2014)	
							604912G0102 WHITE/BLUE (FOR VEHICLES MANUFACTURED BEFORE MAY 2014)	
							604912G0108 WHITE/YELLOW (FOR VEHICLES MANUFACTURED BEFORE MAY 2014)	
39	71701G01						604912G0704 GRAY/BLACK (FOR VEHICLES MANUFACTURED BEFORE MAY 2014)	1
							HIP RESTRAINT (DRIVER SIDE) (FOR VEHICLES MANUFACTURED BEFORE MAY 2014).....	
40	71204G01						HIP RESTRAINT (PASSENGER SIDE) (FOR VEHICLES MANUFACTURED BEFORE MAY 2014).....	1
41							HEX HEAD BOLT (SS), 1/4" - 20 X 1" LG (FOR VEHICLES MANUFACTURED BEFORE MAY 2014).....	8
42	00664G7						LOCK WASHER, 1/4"	4
43	00661G8						HEX HEAD CAP SCREW, 1/4" - 20 X 1" LG.....	4

SEATING



THE USE OF NON U.L. PARTS WILL VOID ANY U.L. LISTING.

When ordering parts, please specify the model and serial number of the product.

* Indicates a component that is not available as an individual part.

*** Indicates consult Customer Service Department for additional information.

ITEM	PART NO.	1 2 3 4 5	DESCRIPTION	QTY.
1	634180		SEAT FRAME WELDMENT	1
2	634179		FOOTREST WELDMENT	1
3	634175		ARMREST, REAR SEAT	2
4	634174		SEAT FRAME SUPPORT	2
5				
6				
7	00427G4		HEX HEAD CAP SCREW, 3/8" - 16 X 1.5" LG	6
8	00428G8		HEX HEAD CAP SCREW, 3/8" - 16 X 3" LG	2
9	16705G9		TRUSS HEAD PHILLIPS SCREW (SS), 1/4" - 20 X 1.25" LG.....	4
10	614221		FLAT WASHER, 3/8"	24
11	00559G7		FLAT WASHER, 1/4"	4
12	11098G5		PLASTIC LOCK NUT, 3/8" - 16.....	10
13	11027G5		FLANGED LOCK NUT, 3/8" - 16	4
14	14390G4		PLASTIC LOCK NUT, 1/4" - 20	4
15	19853G1		SQUARE CAP TUBE, 1"	2
16	00427G2		HEX HEAD BOLT, 3/8" - 16 X 1.25" LG	4
17	00427G6		HEX HEAD BOLT, 3/8" - 16 X 1.75" LG	2
18	634184		HANDRAIL KIT, FLIP-FLOP SEAT (INCLUDES ITEMS 19 - 24).....	1
19	634185		FOOTREST HANDLE WELDMENT	1
20	19859G1		SQUARE CAP TUBE, 3/4"	2
21	610631		DECAL.....	1
22	00427G8		HEX HEAD BOLT, 3/8" - 16 X 2" LG.....	4
23	614221		FLAT WASHER, 3/8"	8
24	11098G5		PLASTIC LOCK NUT, 3/8" - 16	4
25				
26				
27	615712		SEAT FRAME WELDMENT (FOR VEHICLES MANUFACTURED BEFORE MAY 2014).....	1
28	615714		FOOTREST WELDMENT (FOR VEHICLES MANUFACTURED BEFORE MAY 2014).....	1
29	615729		ARMREST, REAR SEAT (FOR VEHICLES MANUFACTURED BEFORE MAY 2014).....	2

SEATING

THE USE OF NON U.L. PARTS WILL VOID ANY U.L. LISTING.

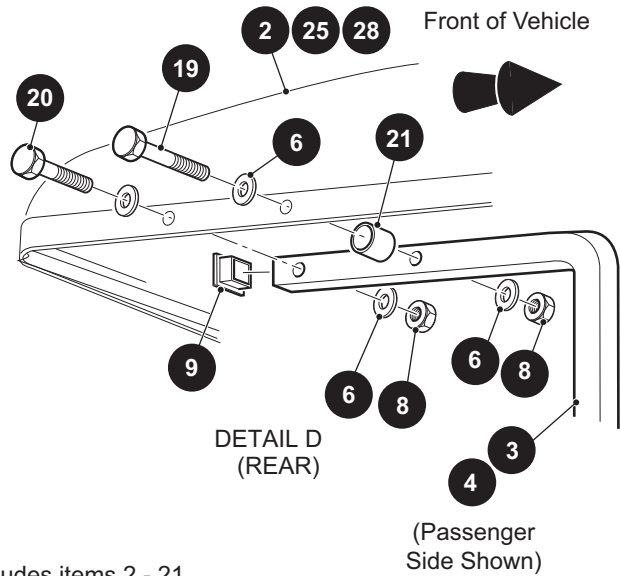
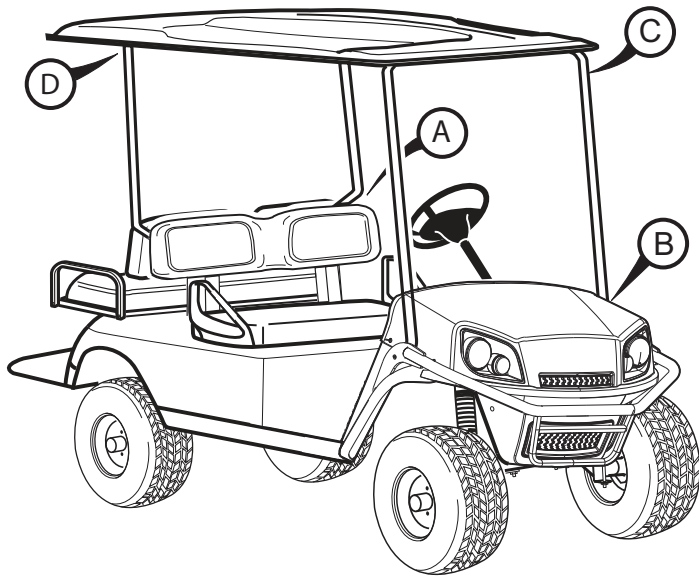
When ordering parts, please specify the model and serial number of the product.

* Indicates a component that is not available as an individual part.

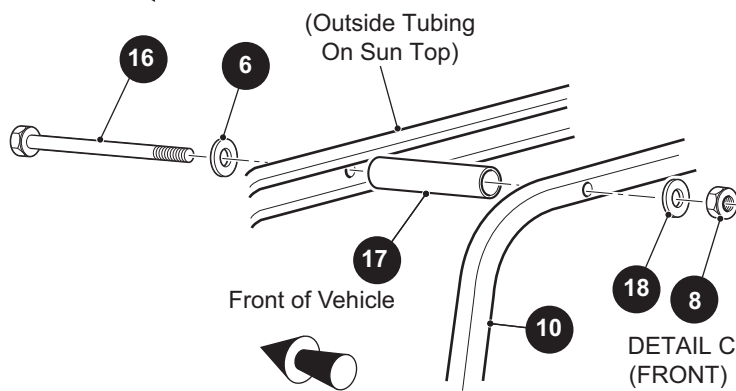
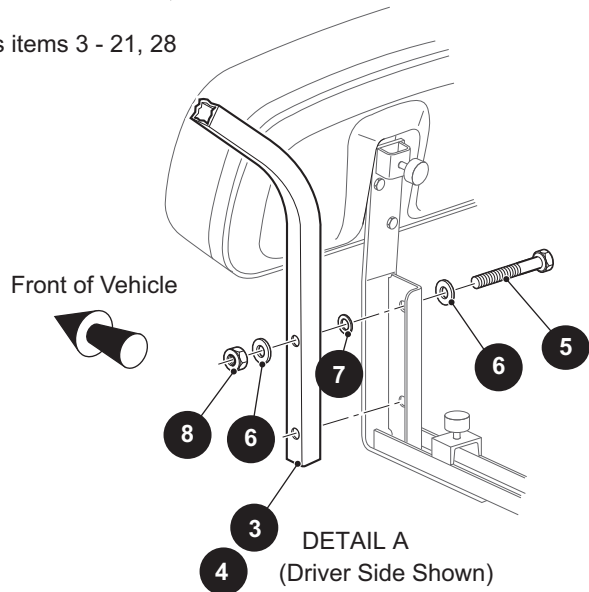
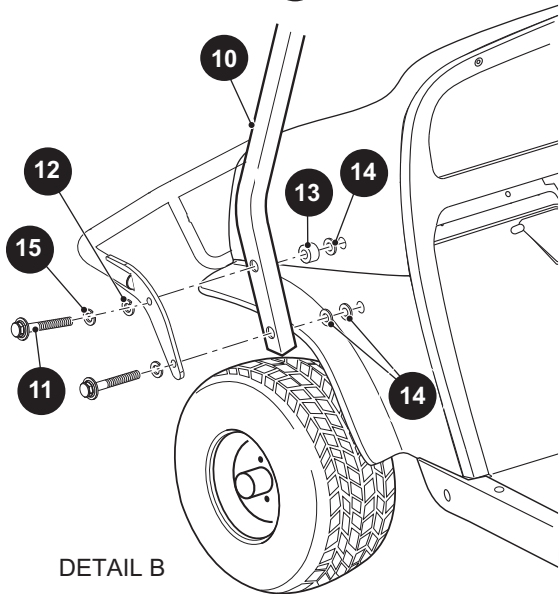
*** Indicates consult Customer Service Department for additional information.

ITEM	PART NO.	1	2	3	4	5	DESCRIPTION	QTY.
30	615713						SEAT FRAME SUPPORT (FOR VEHICLES MANUFACTURED BEFORE MAY 2014)	2
31	615728						FOOTREST BRACKET (PASSENGER SIDE) (FOR VEHICLES MANUFACTURED BEFORE MAY 2014)	1
32	615727						FOOTREST BRACKET (DRIVER SIDE) (FOR VEHICLES MANUFACTURED BEFORE MAY 2014)	1
33								
34								
35	617901						HANDRAIL KIT, FLIP-FLOP SEAT (INCLUDES ITEMS 36 - 41) (FOR VEHICLES MANUFACTURED BEFORE MAY 2014).....	1
36	615721						FOOTREST HANDLE WELDMENT	1
37	19859G1						SQUARE CAP TUBE, 3/4"	2
38	610631						DECAL	1
39	00427G8						HEX HEAD SCREW, 3/8" - 16 X 2" LG.....	4
40	614221						FLAT WASHER, 3/8"	8
41	11098G5						PLASTIC LOCK NUT, 3/8" - 16.....	4

WEATHER PROTECTION



- 1** SUN TOP KIT (BLACK), 80" LG includes items 2 - 21
- 24** SUN TOP KIT (WHITE), 80" LG includes items 3 - 21, 25
- 27** SUN TOP KIT (TAN), 80" LG includes items 3 - 21, 28



WEATHER PROTECTION

THE USE OF NON U.L. PARTS WILL VOID ANY U.L. LISTING.

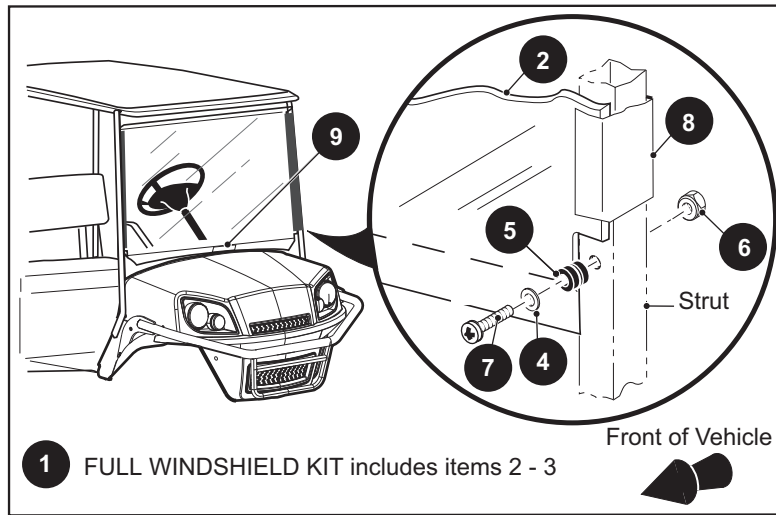
When ordering parts, please specify the model and serial number of the product.

* Indicates a component that is not available as an individual part.

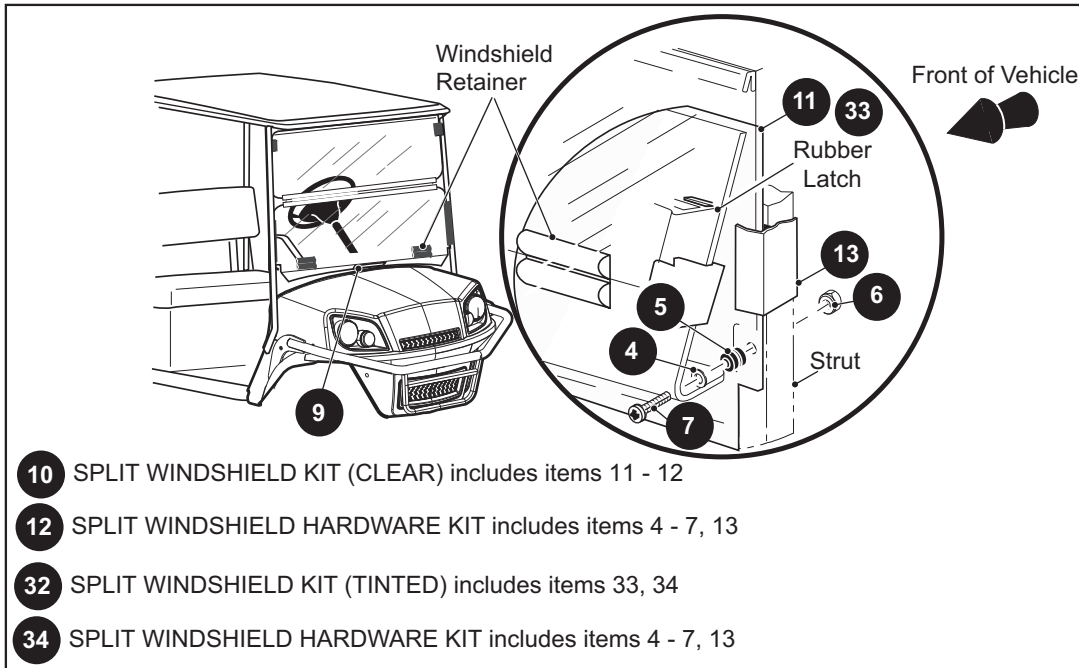
*** Indicates consult Customer Service Department for additional information.

ITEM	PART NO.	1 2 3 4 5	DESCRIPTION	QTY.
1	606260		SUN TOP KIT (BLACK), 80" LG (INCLUDES ITEMS 2 - 21).....	1
2	606937		SUN TOP (BLACK), 80" LG.....	1
3	602743		REAR STRUT (DRIVER SIDE)	1
4	602741		REAR STRUT (PASSENGER SIDE).....	1
5	00665G5		HEX HEAD BOLT (SS), 3/8" - 16 X 1 3/4" LG	4
6	00679G1		FLAT WASHER (SS), 3/8"	18
7	00771G5		NYLON WASHER, 3/8"	4
8	00891G5		LOCK NUT, 3/8" - 16	10
9	19853G1		END CAP, 1"	2
10	75125G01		FRONT STRUT	1
11	00440G2		HEX HEAD BOLT, 5/16" - 18 X 2 1/4" LG.....	4
12	00905G8		LOCK WASHER, 5/16"	4
13	75048G01		SPACER, 1/2"	2
14	00879G1		LOCK WASHER, 3/8"	4
15	00559G8		FLAT WASHER, 5/16"	4
16	00674G8		HEX HEAD BOLT (SS), 3/8 - 16 X 5" LG	2
17	18716G1		SPACER	2
18	00653G1		FLAT WASHER (SS), 3/8"	2
19	00665G3		HEX HEAD BOLT (SS), 3/8" - 16 X 2 1/2" LG	2
20	00665G6		HEX HEAD BOLT (SS), 3/8" - 16 X 2" LG	2
21	24647G1		SPACER, 1/4"	2
22				
23				
24	603119		SUN TOP KIT (WHITE), 80" LG (INCLUDES ITEMS 3 - 21, 25).....	1
25	27604G01		SUN TOP (WHITE), 80" LG.....	1
26				
27	603120		SUN TOP KIT (TAN), 80" LG (INCLUDES 3 - 21, 28).....	1
28	602672		SUN TOP (TAN), 80" LG	1
29				
30				

WEATHER PROTECTION



1 FULL WINDSHIELD KIT includes items 2 - 3

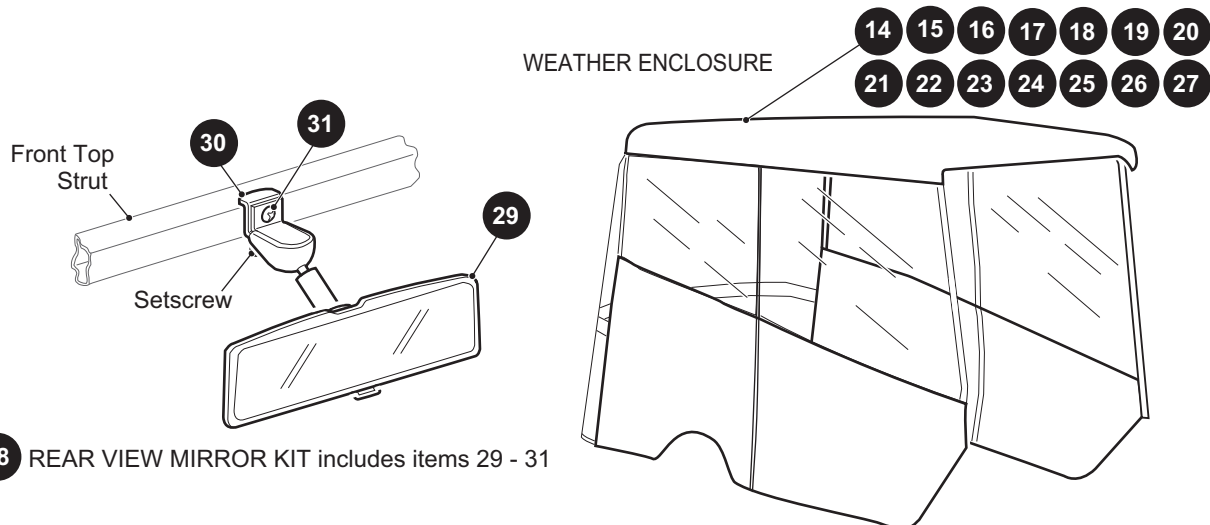


10 SPLIT WINDSHIELD KIT (CLEAR) includes items 11 - 12

12 SPLIT WINDSHIELD HARDWARE KIT includes items 4 - 7, 13

32 SPLIT WINDSHIELD KIT (TINTED) includes items 33, 34

34 SPLIT WINDSHIELD HARDWARE KIT includes items 4 - 7, 13



28 REAR VIEW MIRROR KIT includes items 29 - 31

WEATHER PROTECTION

THE USE OF NON U.L. PARTS WILL VOID ANY U.L. LISTING.

When ordering parts, please specify the model and serial number of the product.

* Indicates a component that is not available as an individual part.

*** Indicates consult Customer Service Department for additional information.

ITEM	PART NO.	1 2 3 4 5	DESCRIPTION	QTY.
1	71966G03		FULL WINDSHIELD KIT (INCLUDES ITEMS 2 - 3).....	1
2	71960G01		WINDSHIELD (FULL)	2
3	71956G03		HARDWARE KIT (INCLUDES ITEMS 4 - 8)	1
4	*		FLAT WASHER (SS), 1/4".....	2
5	*		RUBBER GROMMET	2
6	*		LOCK NUT (SS), 1/4" - 20	2
7	*		PAN HEAD PHILLIPS SCREW (SS), 1/4" - 20 X 1 3/4" LG.....	2
8	615662		SASH, 26" LG	2
9	*		SAFETY LABEL	1
10	71966G05		SPLIT WINDSHIELD KIT (CLEAR) (INCLUDES ITEMS 11 - 12)	1
11	630012		SPLIT WINDSHIELD (CLEAR).....	1
12	71956G05		SPLIT WINDSHEILD HARDWARE KIT (INCLUDES ITEMS 4 - 7, 13)....	1
13	615661		SASH, 12" LG	2
14	605122		ENCLOSURE (PACIFIC BLUE) (REQUIRES SUN TOP KIT)	1
15	605128		ENCLOSURE (TUSCAN) (REQUIRES SUN TOP KIT).....	1
16	605119		ENCLOSURE (TAN) (REQUIRES SUN TOP KIT).....	1
17	605133		ENCLOSURE (ASPEN) (REQUIRES SUN TOP KIT).....	1
18	605126		ENCLOSURE (BURGUNDY) (REQUIRES SUN TOP KIT)	1
19	605123		ENCLOSURE (CAPRI) (REQUIRES SUN TOP KIT).....	1
20	605130		ENCLOSURE (CHARCOAL TWEED) (REQUIRES SUN TOP KIT)	1
21	605129		ENCLOSURE (DUBONNET TWEED) (REQUIRES SUN TOP KIT).....	1
22	605121		ENCLOSURE (HUNTER GREEN) (REQUIRES SUN TOP KIT)	1
23	605125		ENCLOSURE (HEMLOCK TWEED) (REQUIRES SUN TOP KIT)	1
24	605131		ENCLOSURE (JOCKEY RED) (REQUIRES SUN TOP KIT).....	1
25	605127		ENCLOSURE (LINEN TWEED) (REQUIRES SUN TOP KIT)	1
26	605132		ENCLOSURE (MEDITERRANEAN BLUE) (REQUIRES SUN TOP KIT)	1
27	605120		ENCLOSURE (OYSTER) (REQUIRES SUN TOP KIT)	1
28	19528G2		REAR VIEW MIRROR KIT (INCLUDES ITEMS 29 - 31)	1
29	19496G1		REAR VIEW MIRROR.....	1
30	19502G3		SUPPORT BRACKET	1
31	19527G1		PAN HEAD PHILLIPS SCREW (SS), #8 - 32 X 5/8" LG	1

WEATHER PROTECTION

THE USE OF NON U.L. PARTS WILL VOID ANY U.L. LISTING.

When ordering parts, please specify the model and serial number of the product.

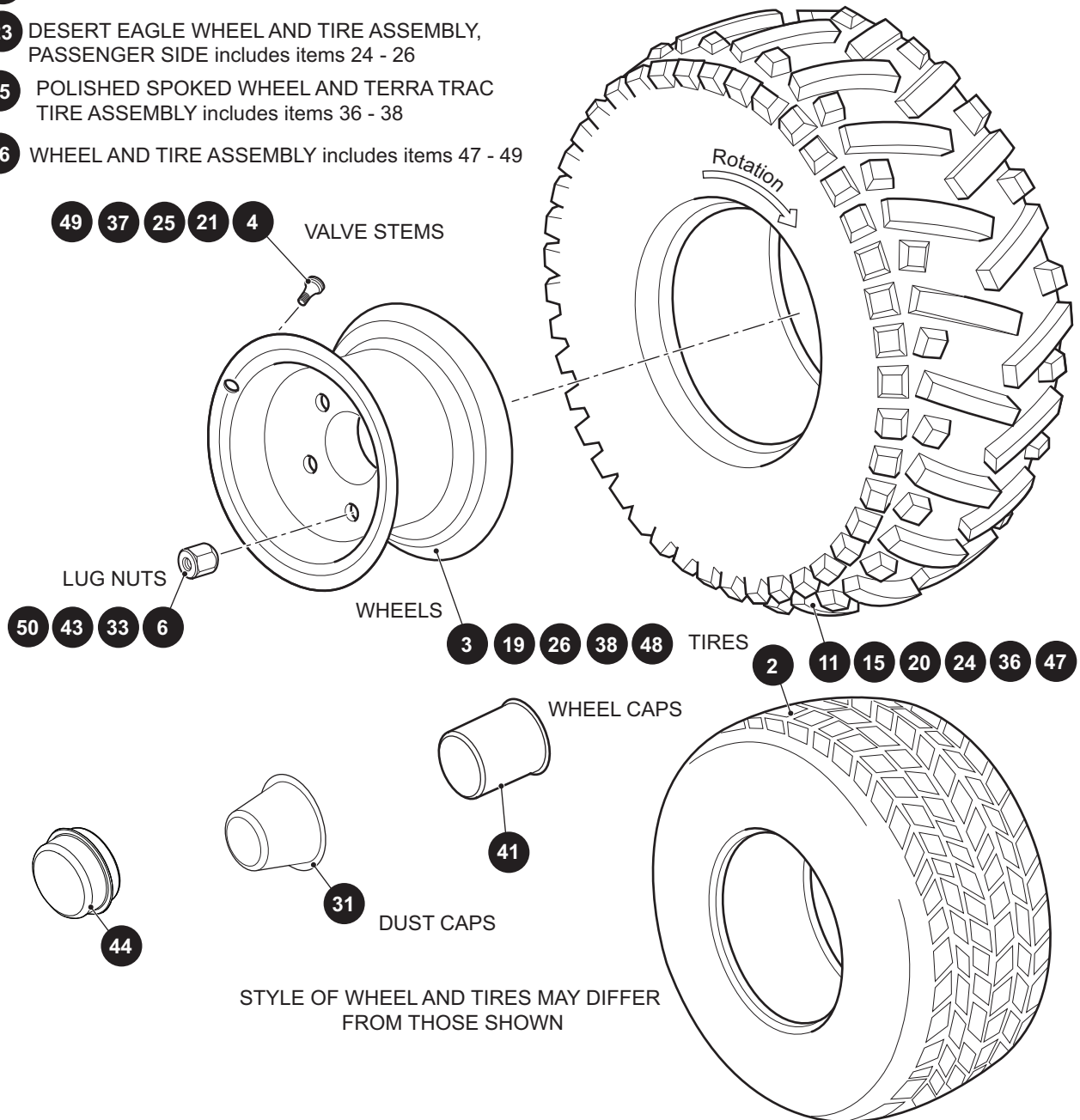
* Indicates a component that is not available as an individual part.

*** Indicates consult Customer Service Department for additional information.

ITEM	PART NO.	1	2	3	4	5	DESCRIPTION	QTY.
32	71966G06						SPLIT WINDSHIELD KIT (TINTED) (INCLUDES ITEMS 33, 34).....	1
33	630013						SPLIT WINDSHIELD (TINTED)	1
34	71956G05						SPLIT WINDSHIELD HARDWARE KIT (INCLUDES ITEMS 4 - 7, 13)	1

WHEELS AND TIRES

- 1 BLACK WHEEL AND TURF SAVER TIRE ASSEMBLY includes items 2 - 4
- 9 WHEEL AND TRAIL WOLF TIRE ASSEMBLY (DRIVER SIDE) includes item 11
- 10 WHEEL AND TRAIL WOLF TIRE ASSEMBLY (PASSENGER SIDE) includes item 11
- 13 BLACK WHEEL AND STRYKER 1 TIRE ASSEMBLY (DRIVER SIDE) includes items 3, 4, 15
- 14 BLACK WHEEL AND STRYKER 1 TIRE ASSEMBLY (PASSENGER SIDE) includes items 3, 4, 15
- 17 POLISHED WHEEL AND PATHFINDER TIRE ASSEMBLY (DRIVER SIDE) includes items 19 - 21
- 18 POLISHED WHEEL AND PATHFINDER TIRE ASSEMBLY (PASSENGER SIDE) includes items 19 - 21
- 22 DESERT EAGLE WHEEL AND TIRE ASSEMBLY, DRIVER SIDE includes items 24 - 26
- 23 DESERT EAGLE WHEEL AND TIRE ASSEMBLY, PASSENGER SIDE includes items 24 - 26
- 35 POLISHED SPOKED WHEEL AND TERRA TRAC TIRE ASSEMBLY includes items 36 - 38
- 46 WHEEL AND TIRE ASSEMBLY includes items 47 - 49



WHEELS AND TIRES

THE USE OF NON U.L. PARTS WILL VOID ANY U.L. LISTING.

When ordering parts, please specify the model and serial number of the product.

* Indicates a component that is not available as an individual part.

*** Indicates consult Customer Service Department for additional information.

ITEM	PART NO.	1 2 3 4 5	DESCRIPTION	QTY.
1	28442G03		BLACK WHEEL AND TURF SAVER® TIRE ASSEMBLY (INCLUDES ITEMS 2 - 4) (FOR VEHICLES MANUFACTURED UNTIL 14OCT2016)	AR
2	28442G02		TIRE, 20 X 10 - 10 TURF SAVER®	1
3	15172G02		BLACK WHEEL RIM, (4 LUG).....	1
4	11657G1		VALVE STEM.....	1
5				
6	14723G1		LUG NUT, 1/2" -20	AR
7				
8				
9	74842G03		WHEEL AND TRAIL WOLF TIRE® ASSEMBLY (DRIVER SIDE) (INCLUDES ITEM 11)	AR
10	74842G04		WHEEL AND TRAIL WOLF TIRE® ASSEMBLY (PASSENGER SIDE) (INCLUDES ITEM 11)	AR
11	74842G05		TIRE, 20 X 11 - 10 TRAIL WOLF®	1
12				
13	28630G04		BLACK WHEEL AND STRYKER® 1 TIRE ASSEMBLY (DRIVER SIDE) (INCLUDES ITEMS 3, 4, 15).....	AR
14	28630G05		BLACK WHEEL AND STRYKER® 1 TIRE ASSEMBLY (PASSENGER SIDE) (INCLUDES ITEMS 3, 4, 15).....	AR
15	28630G01		TIRE, 22 X 9 - 10 STRYKER 1	1
16				
17	604930		POLISHED WHEEL AND PATHFINDER TIRE® ASSEMBLY (DRIVER SIDE) (INCLUDES ITEM 19 - 21)	AR
18	605228		POLISHED WHEEL AND PATHFINDER TIRE® ASSEMBLY (PASSENGER SIDE) (INCLUDES ITEM 19 - 21)	AR
19	604927		POLISHED CAST ALUMINUM WHEEL	1
20	604928		TIRE, 22 X 11 PATHFINDER TIRE®	1
21	604915		VALVE STEM.....	1
22	671955G01		DESERT EAGLE WHEEL AND TIRE ASSEMBLY, DRIVER SIDE (INCLUDES ITEMS 24 - 26)	AR
23	671955G02		DESERT EAGLE WHEEL AND TIRE ASSEMBLY, PASSENGER SIDE (INCLUDES ITEMS 24 - 26)	AR
24	671459		TIRE, 23 X 10 - 14	1
25	604915		CHROME VALVE STEM.....	1

WHEELS AND TIRES

THE USE OF NON U.L. PARTS WILL VOID ANY U.L. LISTING.

When ordering parts, please specify the model and serial number of the product.

* Indicates a component that is not available as an individual part.

*** Indicates consult Customer Service Department for additional information.

ITEM	PART NO.	1 2 3 4 5	DESCRIPTION	QTY.
26	670078		WHEEL, 14 X 7	1
27				
28	606240		DIAMOND WHEEL AND SPEEDRACER TIRE ASSY (DRIVER SIDE) (NOT ILLUSTRATED)	AR
29	606179		DIAMOND WHEEL AND SPEEDRACER TIRE ASSY (PASSENGER SIDE) (NOT ILLUSTRATED)	AR
30				
31	608910		DIAMOND WHEEL CAP.....	AR
32				
33	605310		CHROME LUG NUT, 1/2" - 20.....	AR
34				
35	608914		POLISHED SPOKED WHEEL AND TERRA TRAC TIRE ASSEMBLY (INCLUDES ITEMS 36 - 38) (FOR VEHICLES MANUFACTURED BEFORE MAY 19, 2018)	AR
36	606141		TERRA TRAC TIRE, 22 X 11 - 10.....	1
37	604915		CHROME VALVE STEM	1
38	604927		POLISHED SPOKED WHEEL, 10 X 7.....	1
39				
40				
41	601353		WHEEL CAP.....	AR
42				
43	605310		CHROME LUG NUT, 1/2" - 20.....	AR
44	12091G2		SPINDLE CAP	AR
45				
46	652263		WHEEL AND TIRE ASSEMBLY (INCLUDES ITEMS 47 - 49) (FOR VEHICLES MANUFACTURED FROM 15OCT2016).....	AR
47	652986		KENDA TIRE, K500, 20 X 8 - 10, 6PLY	1
48	643934		WHEEL, 10 X 6.....	1
49	643948		VALVE STEM	1
50	14723G1		LUG NUT, 1/2" - 20.....	AR



A Textron Company

E-Z-GO Division of Textron Inc.,
1451 Marvin Griffin Road, Augusta, Georgia 30906 - 3852 USA

TO CONTACT US...

North America:

Technical Assistance & Warranty Phone: 1-800-774-3946, FAX: 1-800-448-8124

Service Parts Phone: 1-888-GET-E-Z-GO (1-888-438-3946), FAX: 1-800-752-6175

International: Phone: 001-706-798-4311, FAX: 001-706-771-4609

Service Parts Manuals, as well as Repair and Service Manuals
are available from a local Distributor, an authorized Branch,
Genuine E-Z-GO Parts & Accessories Department or at www.shopezgo.com.

Copyrighted Material
This manual may not be reproduced in whole or
in part without the express permission of
E-Z-GO Division of Textron Inc.
Technical Communications Department