



A Textron Company

Express S6

Service Parts Manual

SERVICE PARTS MANUAL

GASOLINE EFI POWERED UTILITY VEHICLE

EXPRESS S6

STARTING MID-MODEL YEAR 2019

Never modify the vehicle in any way that will alter the weight distribution of the vehicle, decrease its stability or increase the speed beyond the factory specifications. Such modifications can cause serious personal injury or death. Textron Specialized Vehicles prohibits and dis-claims responsibility for any such modifications or any other alteration which would adversely affect the safety of the vehicle. TSV reserves the right to incorporate engineering and design changes to products in this manual, without obligation to include these changes on units sold previously.

The information contained in this manual may be revised periodically by TSV, and therefore is subject to change without notice.

TSV DISCLAIMS LIABILITY FOR ERRORS IN THIS MANUAL, and SPECIFICALLY DISCLAIMS LIABILITY FOR INCIDENTAL AND CONSEQUENTIAL DAMAGES resulting from the use of the information and materials in this manual.

These are the original instructions as defined by 2006/42/EC.

TO CONTACT US:

Textron Specialized Vehicles, Inc.
1451 Marvin Griffin Road
Augusta, Georgia, USA 30906-3852

NORTH AMERICA:

Technical Assistance & Warranty PHONE: 1-800-774-3946, FAX: 1-800-448-8124

Service Parts PHONE: 1-888-438-3946, FAX: 1-800-752-6175

International: PHONE: 001-706-798-4311, FAX: 001-706-771-4609

GENERAL INFORMATION

To obtain a copy of the limited warranty applicable to the vehicle, call or write a local Distributor, authorized Branch or the Warranty Department with vehicle serial number and manufacturer code.

The use of non Original Equipment Manufacturer (OEM) approved parts may void the warranty.

Tampering with or adjusting the governor to permit vehicle to operate at above factory specifications will void the vehicle warranty.

When servicing engines, all adjustments and replacement components must be per original vehicle specifications in order to maintain the United States of America Federal and State emission certification applicable at the time of manufacture.

BATTERY PROLONGED STORAGE

All batteries will self discharge over time. The rate of self discharge varies depending on the ambient temperature and the age and condition of the batteries.

A fully charged battery will not freeze in winter temperatures unless the temperature falls below -75° F (-60° C).

BATTERY DISPOSAL

Lead-acid batteries are recyclable. Return whole scrap batteries to distributor, manufacturer or lead smelter for recycling. For neutralized spills, place residue in acid-resistant containers with absorbent material, sand or earth and dispose of in accordance with local, state and federal regulations for acid and lead compounds. Contact local and/or state environmental officials regarding disposal information.

TABLE OF CONTENTS

SECTION	Page No.
HOW TO USE THE SERVICE PARTS MANUAL	V
ACCELERATOR	A - 1
AIR FILTER	B - 1
BODY	C - 1
BRAKES	D - 1
CLUTCH	E - 1
DIRECTION SELECTOR	F - 1
ELECTRICAL	G - 1
ENGINE AND MUFFLER	H - 1
ENGINE MOUNTING	J - 1
FRONT SUSPENSION AND STEERING	K - 1
FUEL SYSTEM	L - 1
REAR AXLE	M - 1
REAR SUSPENSION	N - 1
SEATING	P - 1
STARTER/GENERATOR	R - 1
TRUCK BED	S - 1
WEATHER PROTECTION	T - 1
WHEELS AND TIRES	U - 1
DECALS AND LABELS	V - 1

HOW TO USE THE SERVICE PARTS MANUAL

This manual is divided into several sections:

- GENERAL INFORMATION
- ILLUSTRATED PARTS BREAKDOWN

The first section, GENERAL INFORMATION, contains the following information:

- WARRANTY INFORMATION
- TABLE OF CONTENT
- HOW TO USE THE SERVICE PARTS MANUAL

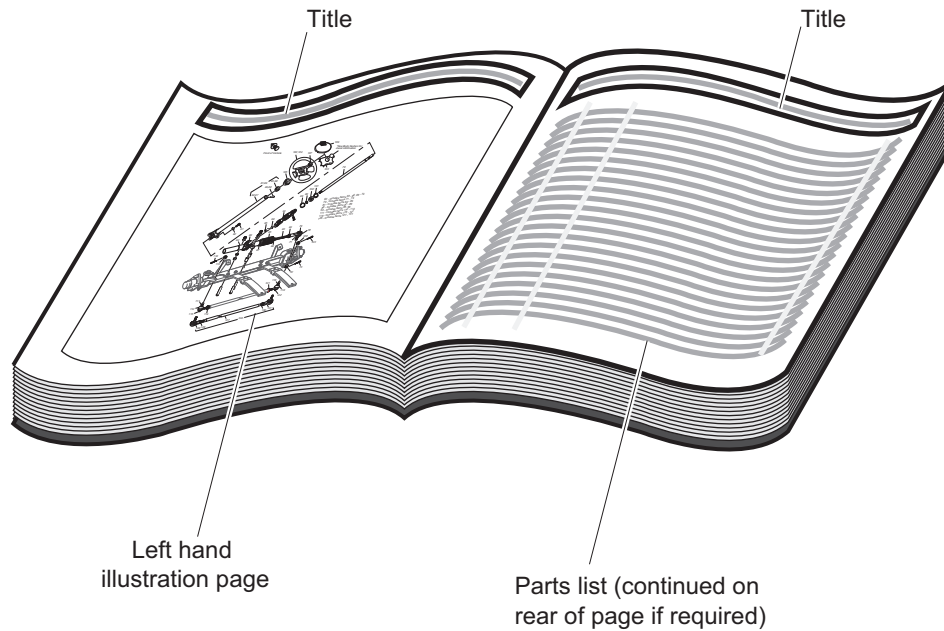
The second section, ILLUSTRATED PARTS BREAKDOWN, contains illustrations and parts lists for all systems of your vehicle.

USE OF THE MANUAL

To use this manual, consult the TABLE OF CONTENTS to locate the information or illustration required.

Introduction of some revisions varies due to supply of components; therefore, it is possible that various combinations of components may be found that are not directly reflected by each illustration. Consult the illustration that best suits your situation and then contact the Service Parts Department. It is important that the serial number or VIN of your vehicle and the model name be supplied to Service Parts when ordering any replacement components.

HOW TO USE THE SERVICE PARTS MANUAL



1. WHEN THE PART NUMBER IS NOT KNOWN

- Determine the function and application of the part required. Turn to the Table of Content and select the most appropriate title.
- Turn to the page number indicated and locate the desired part on the illustration.
- From the illustration, obtain the item number assigned to the desired part. Refer to the accompanying description for specific information regarding the part.

2. IF YOU KNOW THE PART NUMBER

- Locate the part number or description in the appropriate column on the parts list page.

NOTE: It is suggested that you confirm that the part selected is correct by verifying it with the pictorial representation on the illustrated page.

Should an asterisk (*) appear in the part number column on the parts list page, read upwards until a part number is found. The part number is the lowest assembly sold by Service Parts and the asterisk (*) indicates that the part depicted is not available for purchase.

NOTE: Descriptions are indented under the assembly that they are used on. That assembly is, in turn listed under the assembly that it is used on. This process is repeated until the highest final assembly is reached.

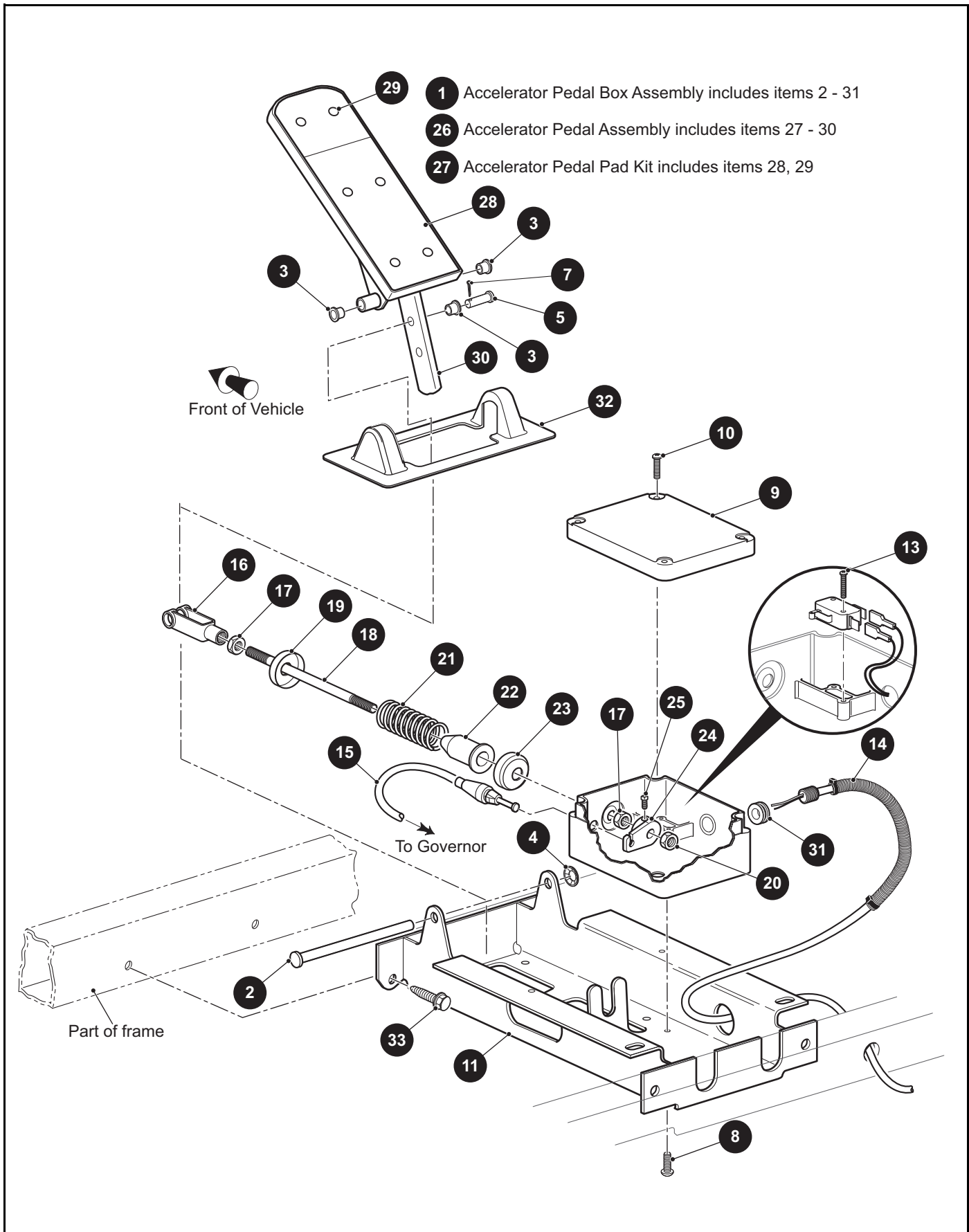
To facilitate the maintenance and repair of the vehicle, a Repair and Service Manual is available from the Service Parts Department.

3. COLOR CODE FOR BODY COMPONENTS

The last two digits of the part number for the body part will denote the color code, locate the part number for the cowl, rear body, seat pod, side panel or seat wrap then locate your color in the list below, replace the last ** or XX with the two digit color code.

<u>CODE #</u>	<u>DESCRIPTION</u>
02	SPECIAL COLOR
11	BLACK
19	PATRIOT BLUE PEARL
20	INFERNO RED METALLIC
26	STEEL BLUE PEARL
31	METALLIC CHARCOAL
35	SAFETY YELLOW
36	IVORY
37	FOREST GREEN
38	BRIGHT WHITE
39	FLAME RED
41	ELECTRIC BLUE
42	PLATINUM
43	BURGUNDY
44	ALMOND
51	SUNBURST ORANGE
52	BRITISH RACING GREEN
69	MONSTER GREEN
74	BARLEY GOLD
75	OASIS GREEN
76	JAVA BROWN
79	JACOBSEN ORANGE

ACCELERATOR



THE USE OF NON U.L. PARTS WILL VOID ANY U.L. LISTING.

When ordering parts, please specify the model and serial number of the product.

* Indicates a component that is not available as an individual part.

*** Indicates consult Customer Service Department for additional information.

ITEM	PART NO.	1 2 3 4 5	DESCRIPTION	QTY.
1	660447		Accelerator Pedal Box Assembly (Includes Items 2 - 31)	1
2	74432G01		Pedal Pivot Pin	1
3	17838G1		Nyliner Bushing	3
4	12064G6		Push Nut.....	1
5	10386G3		Clevis Pin, 5/16" x 13/16"	1
6				
7	10387G3		Cotter Pin, 3/32" x 3/4"	1
8	01051G01		Pan Head Phillips Screw, #8 - 16 x 1/2" Lg	4
9	25853G03		Pedal Box and Cover.....	1
10	00684G6		Truss Head Phillips Screw, #8 - 16 x 1/2" Lg.....	2
11	652241G03		Accelerator Pedal Bracket.....	1
12				
13	01050G02		Pan Head Torx Screw, #4 - 20 x 5/8" Lg.....	2
14	658940		Pedal Box Harness.....	1
15	608618		Accelerator Cable	1
16	10385G4		Clevis Yoke	1
17	00532G4		Hex Nut, 5/16" - 24	2
18	72072G01		Accelerator Rod.....	1
19	17677G2		Spring Retainer.....	1
20	15126G1		Lock Nut, 5/16" - 24.....	1
21	73046G01		Compression Spring	1
22	17979G1		Accelerator Rod Bushing.....	1
23	17677G1		Spring Retainer.....	1
24	72716G01		Cam (Micro Switch)	1
25	00487G3		Socket Head Screw, 1/4" - 20 x 3/8" Lg.....	1
26	25799G03		Accelerator Pedal Assembly (Includes Items 27 - 30).....	1
27	27844G01		Accelerator Pedal Pad Kit (Includes Items 28, 29).....	1
28	27512G01		Pedal Pad	1
29	15766G1		Oval Rivet, 3/8" x 15/32" Lg.....	6
30	*		Accelerator Pedal.....	1
31	654645		Grommet (Rubber)	1

ACCELERATOR

THE USE OF NON U.L. PARTS WILL VOID ANY U.L. LISTING.

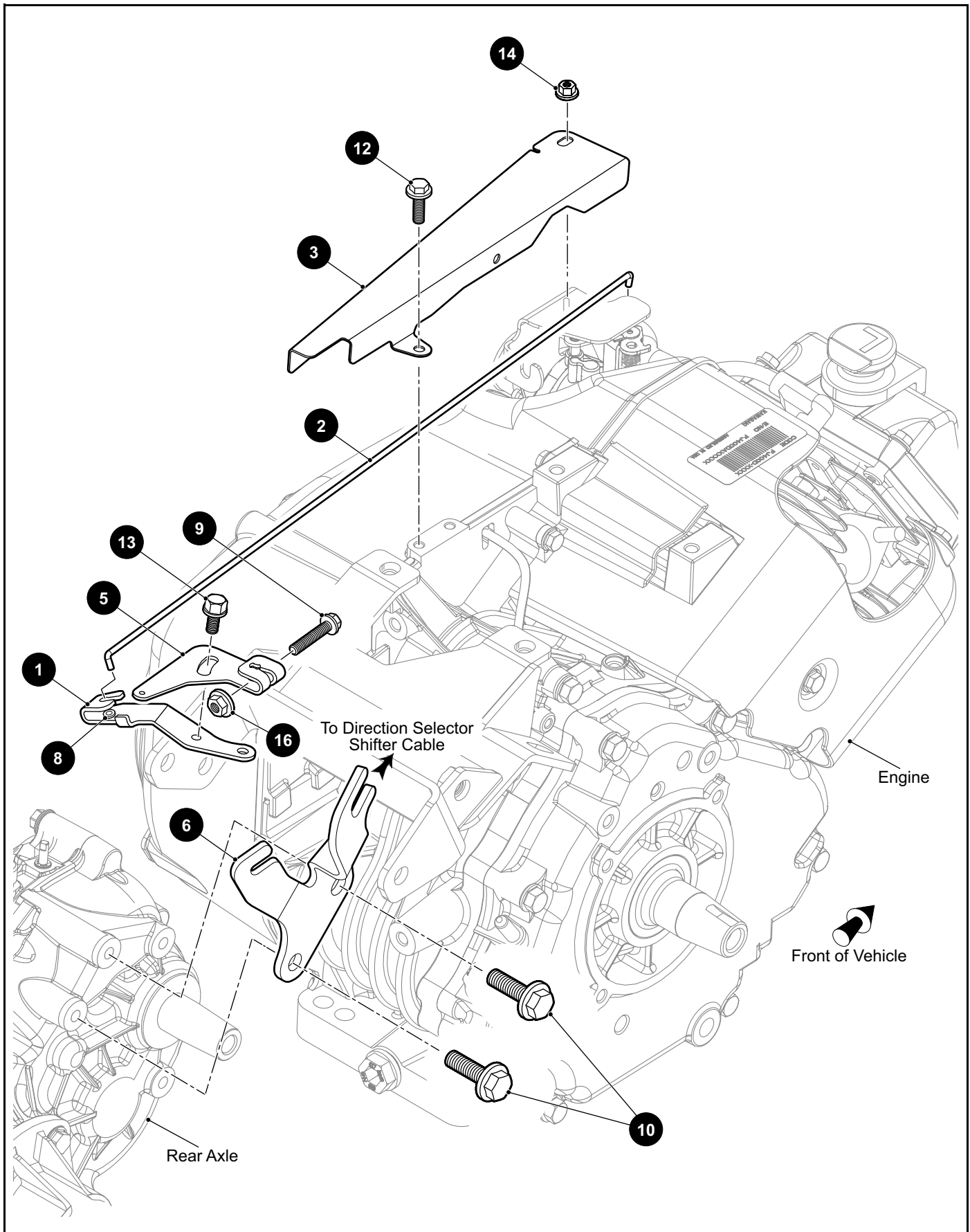
When ordering parts, please specify the model and serial number of the product.

* Indicates a component that is not available as an individual part.

*** Indicates consult Customer Service Department for additional information.

ITEM	PART NO.	1 2 3 4 5	DESCRIPTION	QTY.
32	70135G01		Pedal Pivot Cover	1
33	00715G2		Hex Washer Head Screw, 5/16" - 18 x 3/4" Lg	4
34				
35	17618G1		Nylon Clamp, 8" Lg (Not Illustrated)	3

ACCELERATOR



THE USE OF NON U.L. PARTS WILL VOID ANY U.L. LISTING.

When ordering parts, please specify the model and serial number of the product.

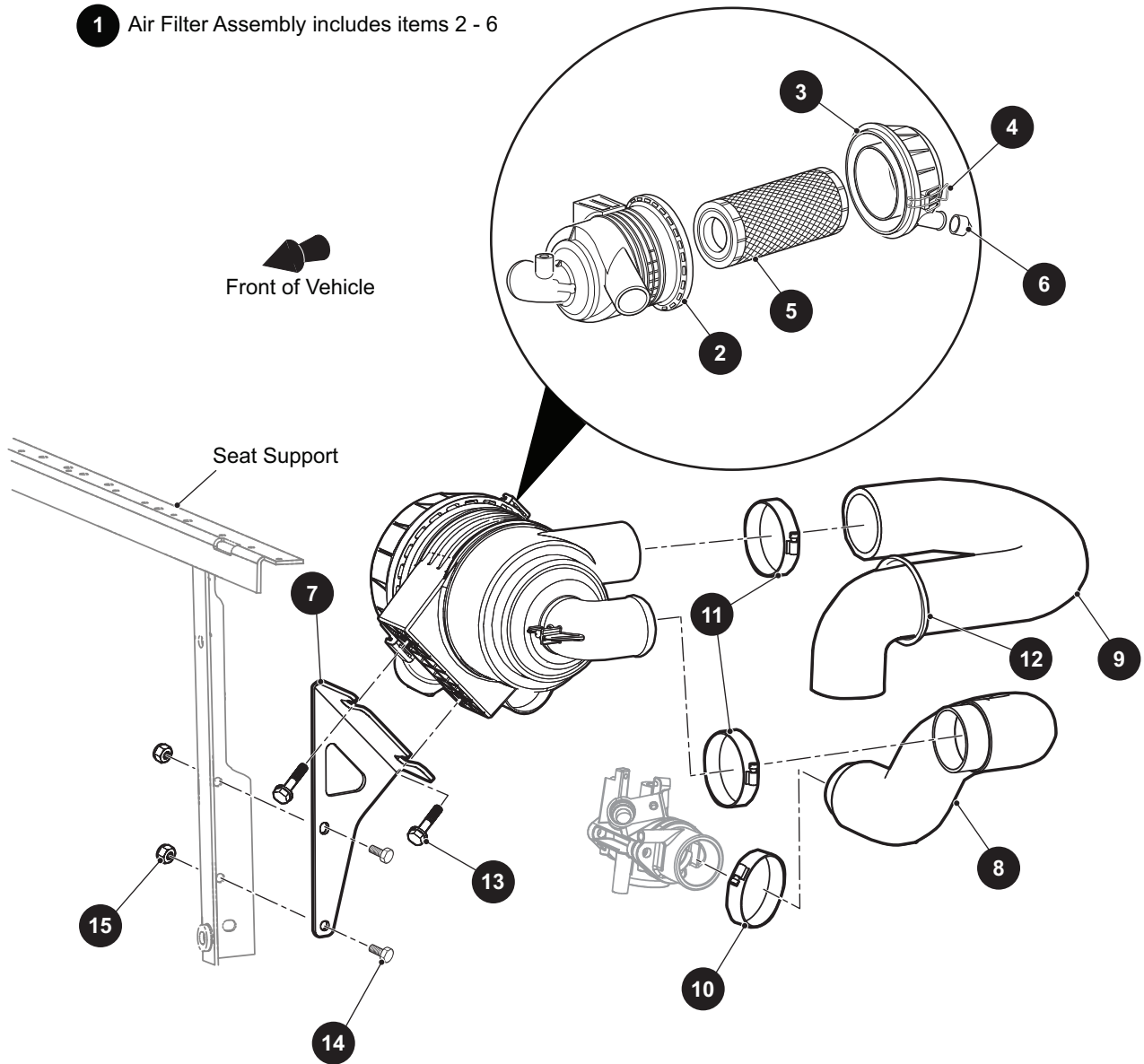
* Indicates a component that is not available as an individual part.

*** Indicates consult Customer Service Department for additional information.

ITEM	PART NO.	1 2 3 4 5	DESCRIPTION	QTY.
1	606005		Governor Bracket (Lower).....	1
2	606284		Governor Link Rod	1
3	660005		Governor Rod Guard.....	1
4				
5	606083		Governor Bracket (Upper).....	1
6	632936		Governor Cable / Direction Selector Bracket	1
7				
8	606283		Governor Lever Bushing	1
9	606421		Flanged Hex Head Bolt, M6 - 1 x 30mm Lg, Grade 8.8	1
10	606256		Flanged Hex Head Bolt, M10 - 1.25 x 25mm Lg, Grade 8.8	2
11				
12	606264		Flanged Hex Head Bolt, M6 - 1 x 20mm Lg, Grade 8.8	1
13	73876G01		Flanged Hex Head Bolt, M6 - 1 x 12mm Lg, Grade 8.8	1
14	601476		Lock Nut, M6 - 1	1
15				
16	450452		Flanged Hex Nut, M6 - 1	1

AIR FILTER

1 Air Filter Assembly includes items 2 - 6



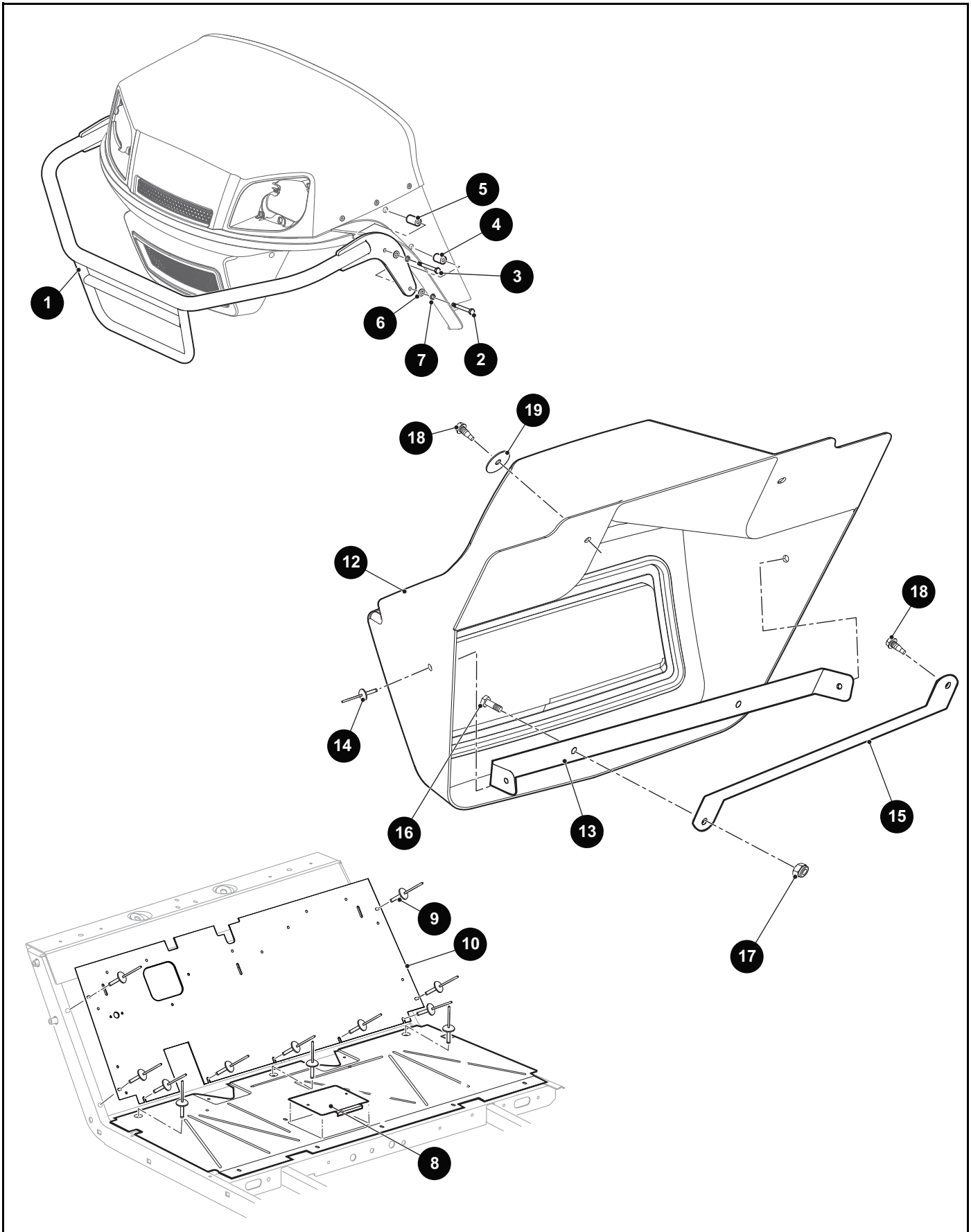
THE USE OF NON U.L. PARTS WILL VOID ANY U.L. LISTING.

When ordering parts, please specify the model and serial number of the product.

* Indicates a component that is not available as an individual part.

*** Indicates consult Customer Service Department for additional information.

ITEM	PART NO.	1 2 3 4 5	DESCRIPTION	QTY.
1	658941		Air Filter Assembly (Includes Items 2 - 6).....	1
2	659139		Air Cleaner Assembly	1
3	658957		Air Cleaner Cover	1
4	72604G01		Air Cleaner Clip	2
5	28463G01		Air Filter	1
6	28462G01		Dust Ejector Valve	1
7	659142		Air Cleaner Mounting Bracket	1
8	601910		Air Filter Tube.....	1
9	661661		Intake Extension Hose	1
10	11391G5		Hose Clamp, .81"	1
11	11391G7		Hose Clamp, 1.56"	2
12	12416G2		Nylon Clamp, 11.8" Lg	1
13	606261		Flanged Hex Head Bolt, M8 - 1.25 x 20mm Lg, Grade 8.8.....	2
14	00414G7		Hex Head Bolt, 1/4" - 20 x 7/8" Lg, Grade 5	2
15	14390G4		Lock Nut, 1/4" - 20	2



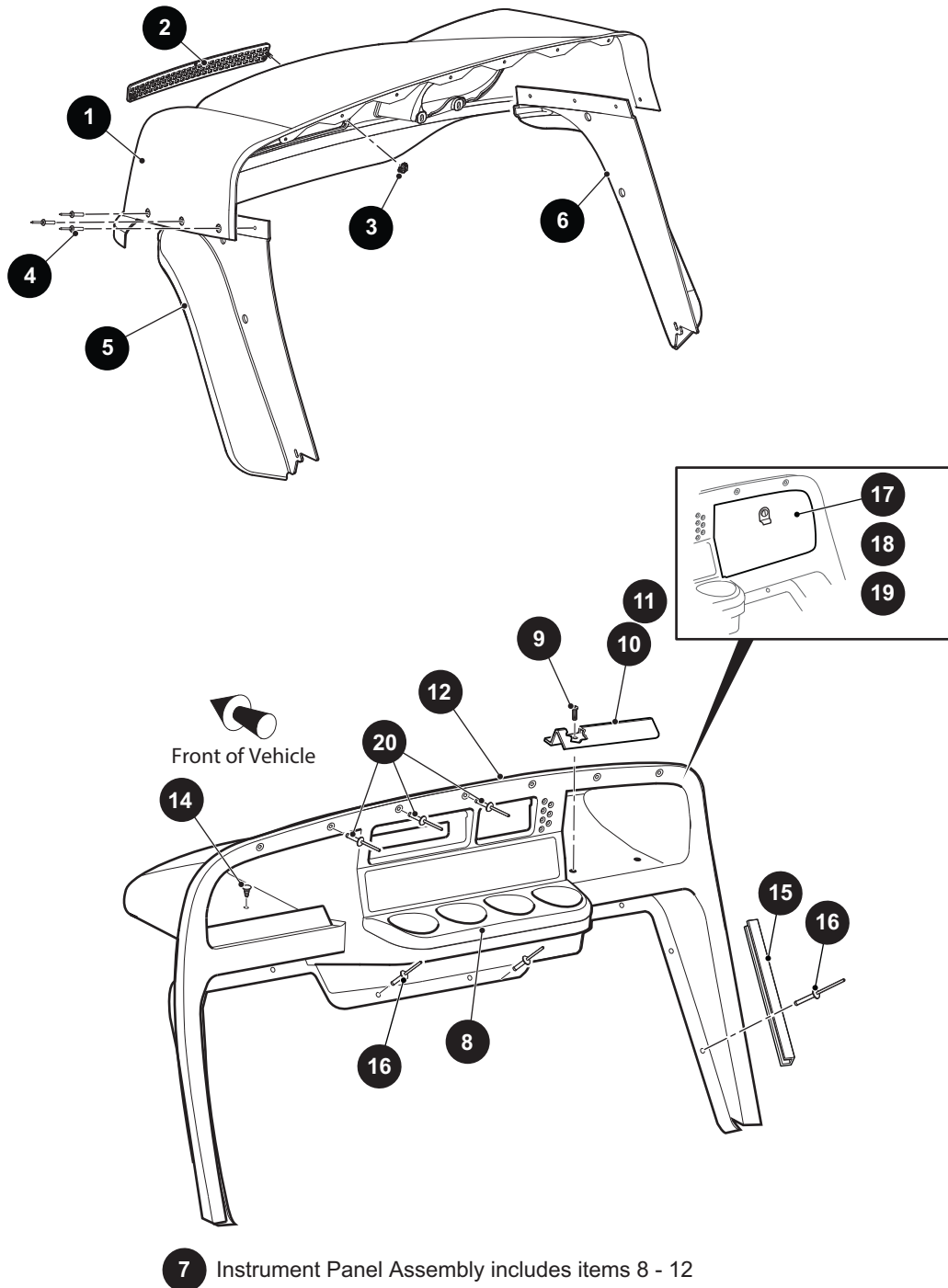
THE USE OF NON U.L. PARTS WILL VOID ANY U.L. LISTING.

When ordering parts, please specify the model and serial number of the product.

* Indicates a component that is not available as an individual part.

*** Indicates consult Customer Service Department for additional information.

ITEM	PART NO.	1 2 3 4 5	DESCRIPTION	QTY.
1	617620		Brushguard.....	1
2	00440G2		Hex Head Bolt, 5/16" - 18 x 2 1/4" Lg, Grade 5	2
3	00440G6		Hex Head Bolt, 5/16" - 18 x 2 3/4" Lg, Grade 5	2
4	75048G04		Spacer, .328" x .75" x 1" Lg	2
5	75048G02		Spacer, .328" x .75" x 1.31" Lg	2
6	00559G8		Flat Washer (Narrow), 5/16".....	4
7	00565G8		Lock Washer, 5/16"	4
8	70452G01		Access Cover	1
9	14601G11		Rivet (Aluminum), 3/16" x 9/16" Lg	16
10	641260		Upper Floor Panel.....	1
11				
12	613273		Front Fascia	1
13	654275		Front Fascia Bracket.....	1
14	15058G1		Rivet (Aluminum Black), 3/16" x .45"	2
15	654276		Front Fascia Brace	2
16	00414G6		Hex Head Bolt, 1/4" - 20 Lg, Grade 5	2
17	14390G4		Lock Nut, 1/4" - 20	2
18	01038G01		Hex Washer Head Bolt, 1/4" - 20 x .700" Lg	4
19	16469G1		Fender Washer, 1 1/4" O.D. x 9/32" I.D.	2



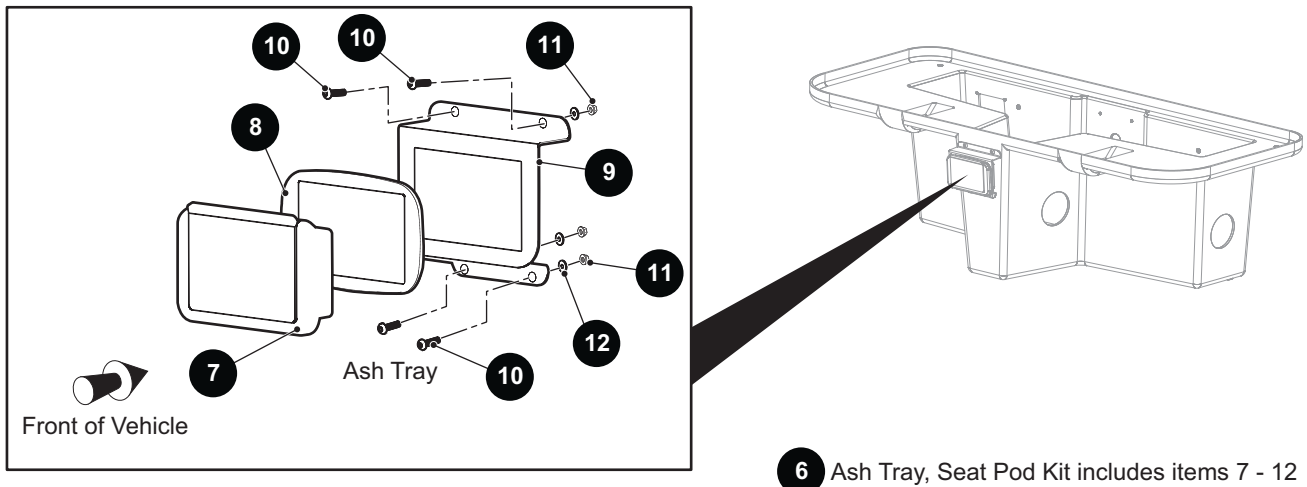
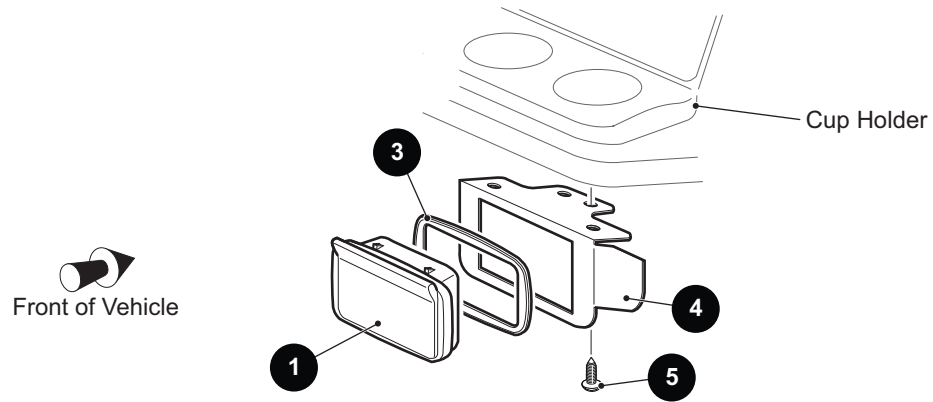
THE USE OF NON U.L. PARTS WILL VOID ANY U.L. LISTING.

When ordering parts, please specify the model and serial number of the product.

* Indicates a component that is not available as an individual part.

*** Indicates consult Customer Service Department for additional information.

ITEM	PART NO.	1 2 3 4 5	DESCRIPTION	QTY.
1	613036G0**		Cowl (See HOW TO USE Section for COLOR CODES)	1
2	617643		Grill Cover	1
3	71597G01		Self Threading Nut, 5mm x 10mm x 15mm.....	2
4	71055G01		Rivet, 3/16" x 1" Lg	6
5	614378		Fender Flare (Driver Side)	1
6	613274		Fender Flare (Passenger Side).....	1
7	71151G03		Instrument Panel Assembly (Includes Items 8 - 12).....	1
8	71158G01		Cup Holder Insert	1
9	00614G3		Pan Head Phillips Screw, #8 - 18 x 5/8" Lg	4
10	71153G01		Ball Deflector (Passenger Side)	1
11	71154G01		Ball Deflector (Driver Side)	1
12	71152G01		Instrument Panel	1
13				
14	16816G2		Ratchet Rivet, .25" x .887"	2
15	71115G01		Vinyl Trim	2
16	71055G01		Rivet (Aluminum), 3/16" x 1" Lg	10
17	75459G01		Glove Box (Driver/Passenger Side).....	1
18	75459G02		Glove Box (Driver Side)	1
19	75459G03		Glove Box (Passenger Side).....	1
20	71055G01		Rivet (Aluminum), 3/16" x 1" Lg	7



THE USE OF NON U.L. PARTS WILL VOID ANY U.L. LISTING.

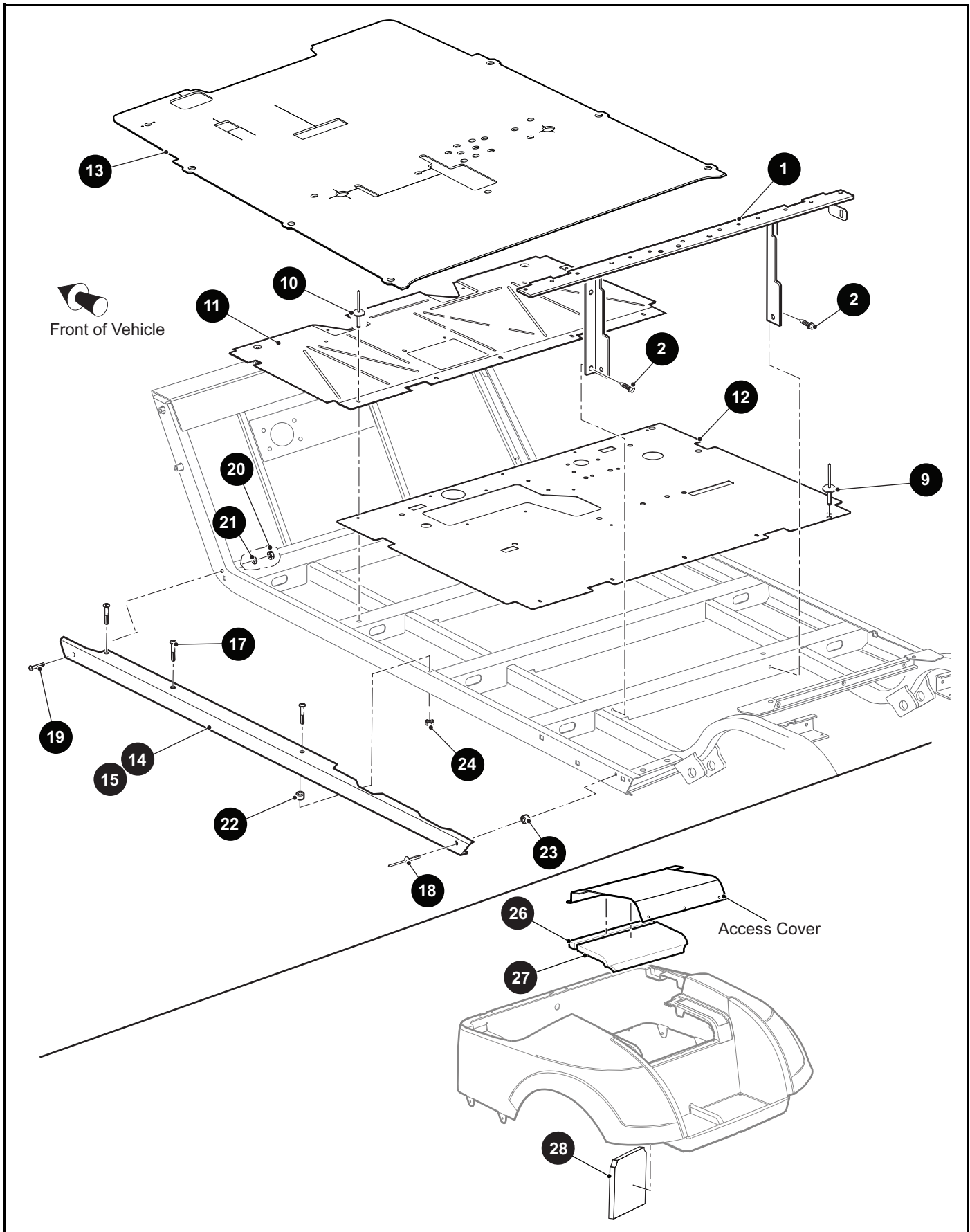
When ordering parts, please specify the model and serial number of the product.

* Indicates a component that is not available as an individual part.

*** Indicates consult Customer Service Department for additional information.

ITEM	PART NO.	1 2 3 4 5	DESCRIPTION	QTY.
1	27731G01		Ash Tray	1
2				
3	27736G01		Gasket.....	1
4	75108G02		Bracket.....	1
5	00106G6		Pan Head Phillips Screw, #12 - 14 x .75" Lg.....	4
6	632412		Ash Tray, Seat Pod Kit (Includes Items 7 - 12)	1
7	27731G01		Ash Tray	1
8	27736G01		Gasket	1
9	631079		Bracket	1
10	601326		Button Head Torx Bolt, M6 - 1 x 20mm Lg.....	4
11	601476		Flanged Lock Nut, M6	4
12	16469G1		Fender Washer, 9/32" I.D x 1 1/4" O.D.....	4

BODY



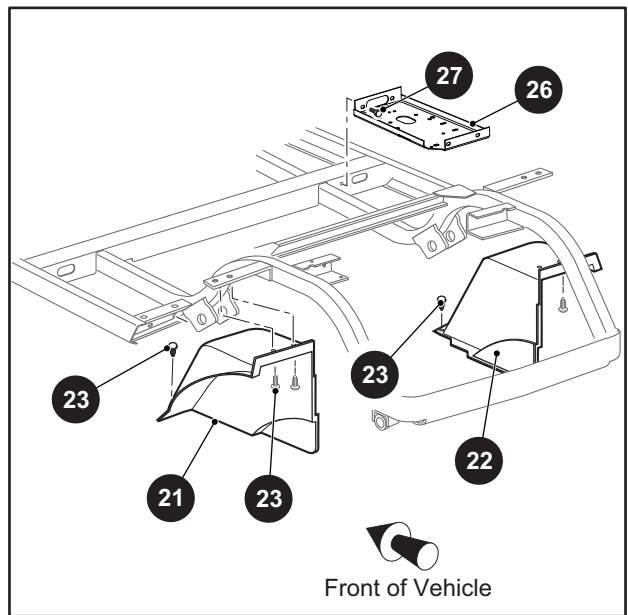
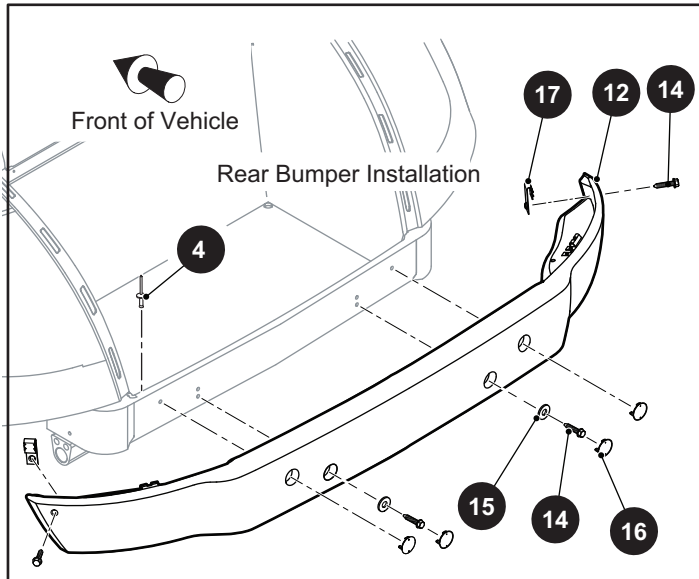
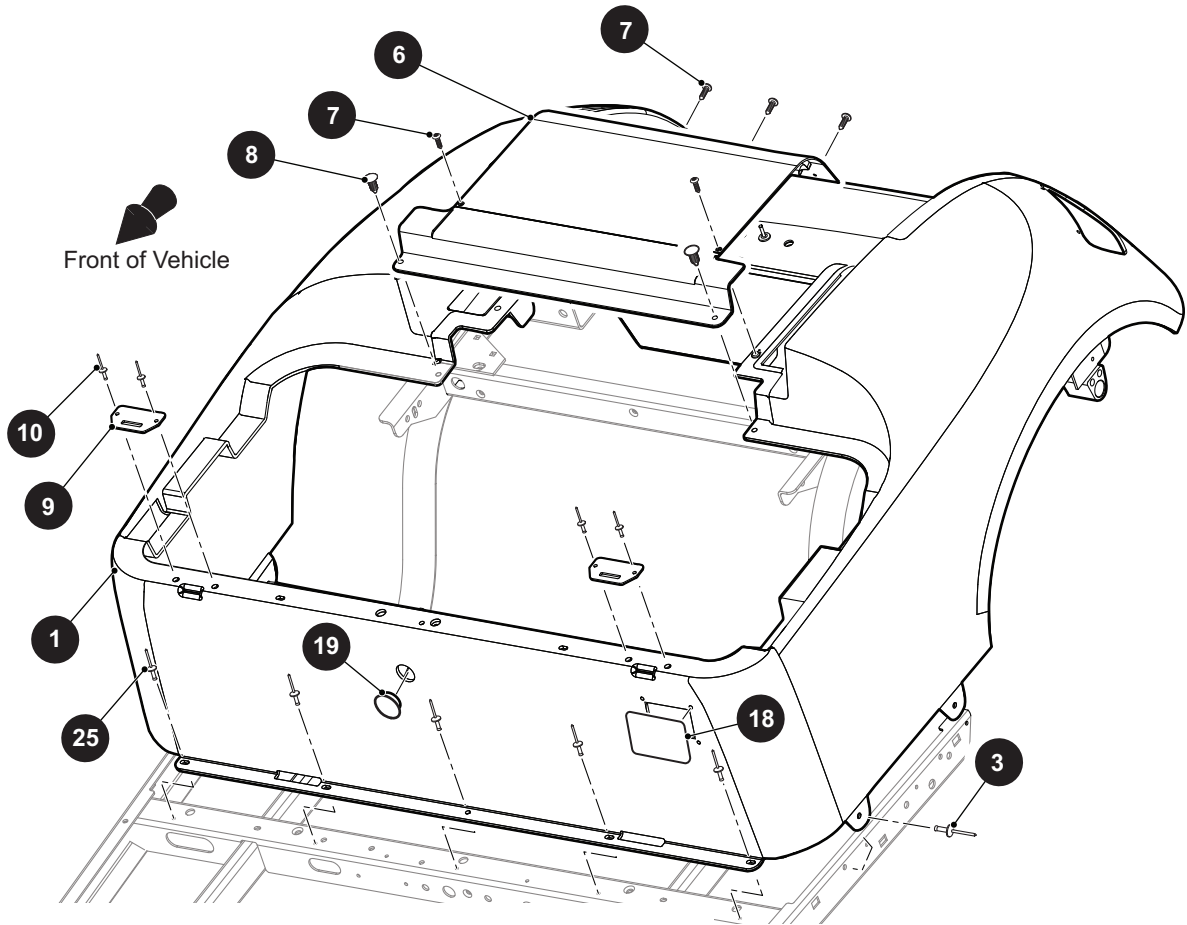
THE USE OF NON U.L. PARTS WILL VOID ANY U.L. LISTING.

When ordering parts, please specify the model and serial number of the product.

* Indicates a component that is not available as an individual part.

*** Indicates consult Customer Service Department for additional information.

ITEM	PART NO.	1 2 3 4 5	DESCRIPTION	QTY.
1	659143		Seat Frame	1
2	00715G2		Hex Washer Head Screw, 5/16" - 18 x.875 " Lg	2
3				
4				
5				
6				
7				
8				
9	10570G10		Domed Rivet (SS), 5/32" x 9/16" Lg	10
10	14601G11		Rivet (Aluminum), 3/16" x 9/16" Lg	5
11	70451G01		Lower Floor Panel	1
12	648840		Rear Floor Panel	1
13	652149G01		Floormat	1
14	618888		Rocker Panel (Driver Side)	1
15	618889		Rocker Panel (Passenger Side)	1
16				
17	634161		Flanged Button Head Torx Bolt, M6 - 1 x 30mm Lg	3
18	15058G6		Rivet (Aluminum), 3/16" x .95" Lg	1
19	00789G2		Truss Head Phillips Screw (SS), #10 - 24 x 1 - 1/4" Lg.....	1
20	14390G10		Lock Nut, #10 - 24.....	1
21	00660G5		Flat Washer, #10	1
22	23726G4		Spacer, 5/16".....	3
23	23726G4		Spacer, 5/16".....	1
24	601476		Flanged Lock Nut, M6	3
25				
26	659357		Sound Treatment, Small (Access Cover).....	1
27	657950		Sound Treatment, Large (Access Cover).....	1
28	657953		Sound Treatment (Rear Body)	1



THE USE OF NON U.L. PARTS WILL VOID ANY U.L. LISTING.

When ordering parts, please specify the model and serial number of the product.

* Indicates a component that is not available as an individual part.

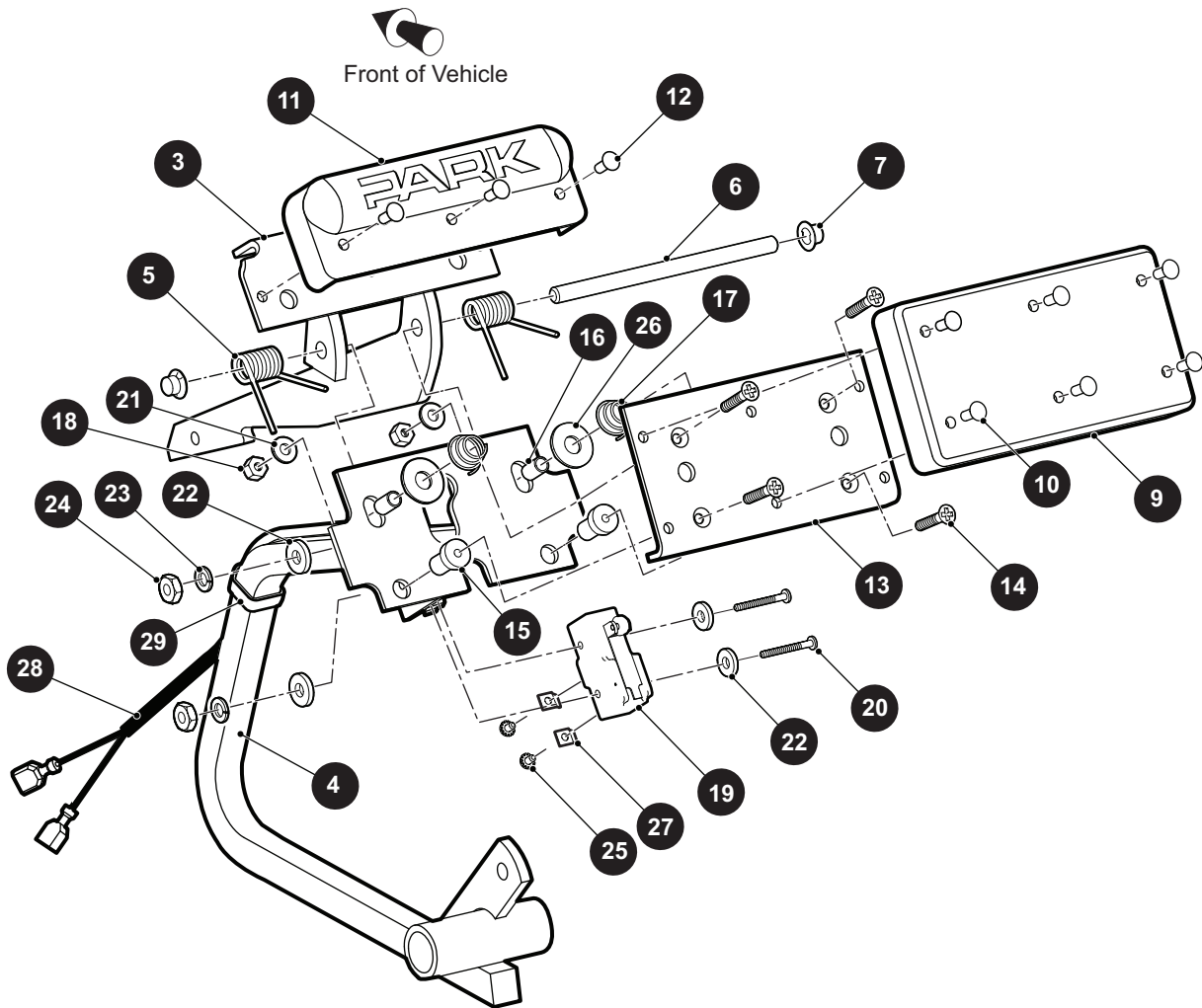
*** Indicates consult Customer Service Department for additional information.

ITEM	PART NO.	1 2 3 4 5	DESCRIPTION	QTY.
1	625272G1XX		Rear Body (with Taillights)..... (See HOW TO USE Section for COLOR CODES)	1
2				
3	10570G12		Rivet (Aluminum), .257" x .556" Lg	2
4	633917		Rivet (Plastic)	2
5				
6	71320G01		Access Panel	1
7	01107G01		Pan Head Torx Screw (SS), #8 x .63" Lg	5
8	16816G2		Ratchet Rivet, .25" x .887"	2
9	71609G01		Seat Hinge Plate	2
10	10570G11		Rivet (SS), 5/32" x .70" Lg	4
11				
12	71451G02		Rear Bumper.....	1
13				
14	71102G01		Hex Head Bolt, 1/4" - 20 x 3/4" Lg, Grade 5	4
15	00571G2		Flat Washer, 5/16"	2
16	71455G01		Bumper Plug	4
17	71554G01		J Type Nut Retainer, 1/4" - 20	2
18	666066		Cover Plate	1
19	71316G01		Plug	1
20				
21	635054G02		Fender Liner (Passenger Side).....	1
22	635054G01		Fender Liner (Driver Side).....	1
23	16816G2		Ratchet Fastener, 1/4" x .887" Lg	4
24				
25	10570G10		Rivet (SS), 5/32" x .55" Lg	5
26	70244G05		Battery Tray (Passenger Side).....	1
27	00715G2		Hex Washer Head Screw, 5/16" - 18 x .8" Lg	4

Notes:

A large grid of graph paper for taking notes. The grid consists of 20 columns and 25 rows of small squares.

1 Brake Pedal Assembly (With Brake Lights) includes items 3 - 29



BRAKES

THE USE OF NON U.L. PARTS WILL VOID ANY U.L. LISTING.

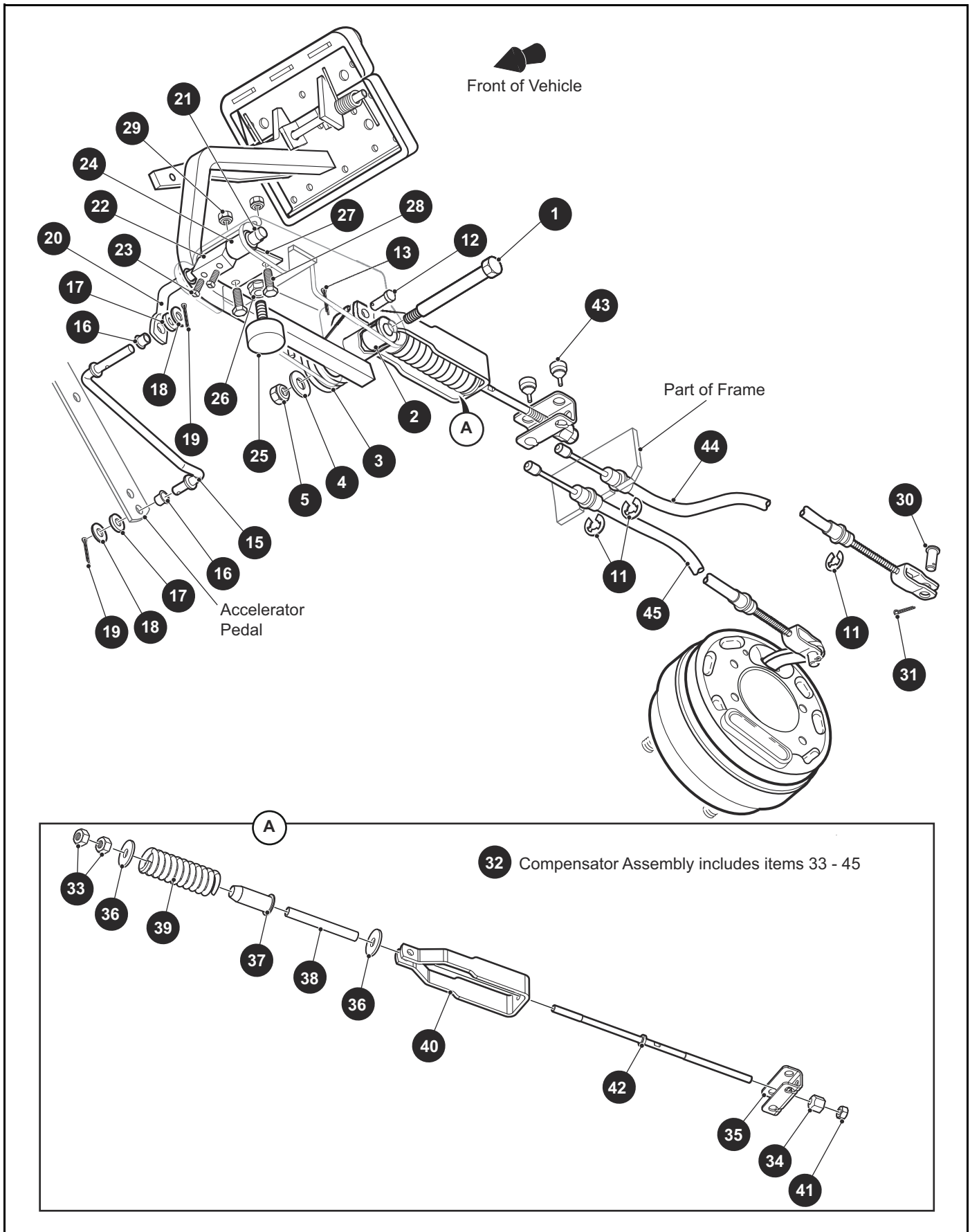
When ordering parts, please specify the model and serial number of the product.

* Indicates a component that is not available as an individual part.

*** Indicates consult Customer Service Department for additional information.

ITEM	PART NO.	1 2 3 4 5	DESCRIPTION	QTY.
1	70690G02		Brake Pedal Assembly (With Brake Lights) (Includes Items 3 - 29).....	1
2				
3	652253G03		Park Brake Pedal.....	1
4	652791G03		Brake Pedal.....	1
5	70681G01		Torsion Spring.....	2
6	70682G01		Pivot Pin.....	1
7	658825		Push Nut, 5/16" - 24.....	2
8				
9	70257G01		Service Brake Pad.....	1
10	16409G1		Oval Rivet, .375" x .468" Lg.....	6
11	70256G01		Park Brake Pedal Pad.....	1
12	16409G1		Oval Rivet, .375" x .468" Lg.....	3
13	652820		Service Brake Pedal Plate.....	1
14	00737G8		Flat Head Phillips Screw, #10 - 24 x .875" Lg.....	4
15	00739G1		Rubber Well Nut, #10 - 24.....	2
16	652355		Brake Pedal Spacer.....	2
17	27137G01		Conical Spring.....	2
18	14390G10		Lock Nut, #10 - 24.....	2
19	10606G8		Micro Switch.....	1
20	00645G2		Pan Head Phillips Screw, #6 - 32 x 1.25" Lg.....	2
21	00559G5		Flat Washer, #10.....	2
22	00559G3		Flat Washer, #6.....	2
23	00565G3		Lock Washer, #6.....	2
24	00525G5		Lock Nut, #6 - 32.....	2
25	13514G1		Pan Head Phillips Screw with Internal Tooth Lock Washer, #6 - 32 x .22" Lg.....	2
26	00642G8		Flat Washer, 5/16".....	2
27	14628G1		Faston Tab.....	2
28	24605G1		Wire Harness (Brake Light).....	1
29	17618G1		Wire Tie.....	2

BRAKES



THE USE OF NON U.L. PARTS WILL VOID ANY U.L. LISTING.

When ordering parts, please specify the model and serial number of the product.

* Indicates a component that is not available as an individual part.

*** Indicates consult Customer Service Department for additional information.

ITEM	PART NO.	1 2 3 4 5	DESCRIPTION	QTY.
1	70582G01		Shoulder Bolt (SS), 1/2" x 3/8" - 16 x 3.406" Lg.....	1
2	70581G01		Flanged Bushing, .1.062" O.D. x .795" I.D.....	2
3	70676G01		Torsion Spring	1
4	00643G1		Lock Washer, 3/8"	1
5	11098G5		Lock Nut, 3/8" - 16	1
6	01038G01		Hex Washer Head Swageform Screw, 1/4" - 20 x .7" Lg (Not Illustrated).....	3
7	12416G2		Nylon Wedge Lock Clamp (Not Illustrated).....	6
8				
9				
10				
11	01111G01		Retaining Ring (SS), Dia .8"	4
12	10386G3		Clevis Pin, .438" x .938" Lg.....	1
13	10387G3		Cotter Pin, .094" x .75" Lg.....	1
14				
15	70601G01		Kick-off Link.....	1
16	17838G1		Nylon Bushing, .37" O.D. x .31" I.D.....	2
17	20835G1		Teflon Washer, 3/8"	2
18	00559G8		Flat Washer, 5/16"	2
19	10387G3		Cotter Pin, .094" x .75" Lg.....	2
20	70098G01		Kick-off Cam Pivot.....	1
21	10097G6		Flanged Bearing.....	2
22	70587G01		Kick-off Cam.....	1
23	71215G01		Set Screw with Patch Lock, 1/4" - 20 x .5" Lg	2
24	14134G4		Spacer, .76" O.D. x .395" I.D. x 1.25" Lg	1
25	70113G01		Adjustable Bumper.....	1
26	11027G1		Lock Nut, 5/16" - 18	1
27	70080G02		Catch Bracket.....	1
28	00414G6		Hex Head Bolt, 1/4" - 20 x .25" Lg, Grade 5	2
29	14390G4		Lock Nut (SS), 1/4" - 20	2
30	10386G3		Clevis Pin, .438" x .938" Lg.....	1
31	10387G3		Cotter Pin, .094" x .75" Lg.....	1

BRAKES

THE USE OF NON U.L. PARTS WILL VOID ANY U.L. LISTING.

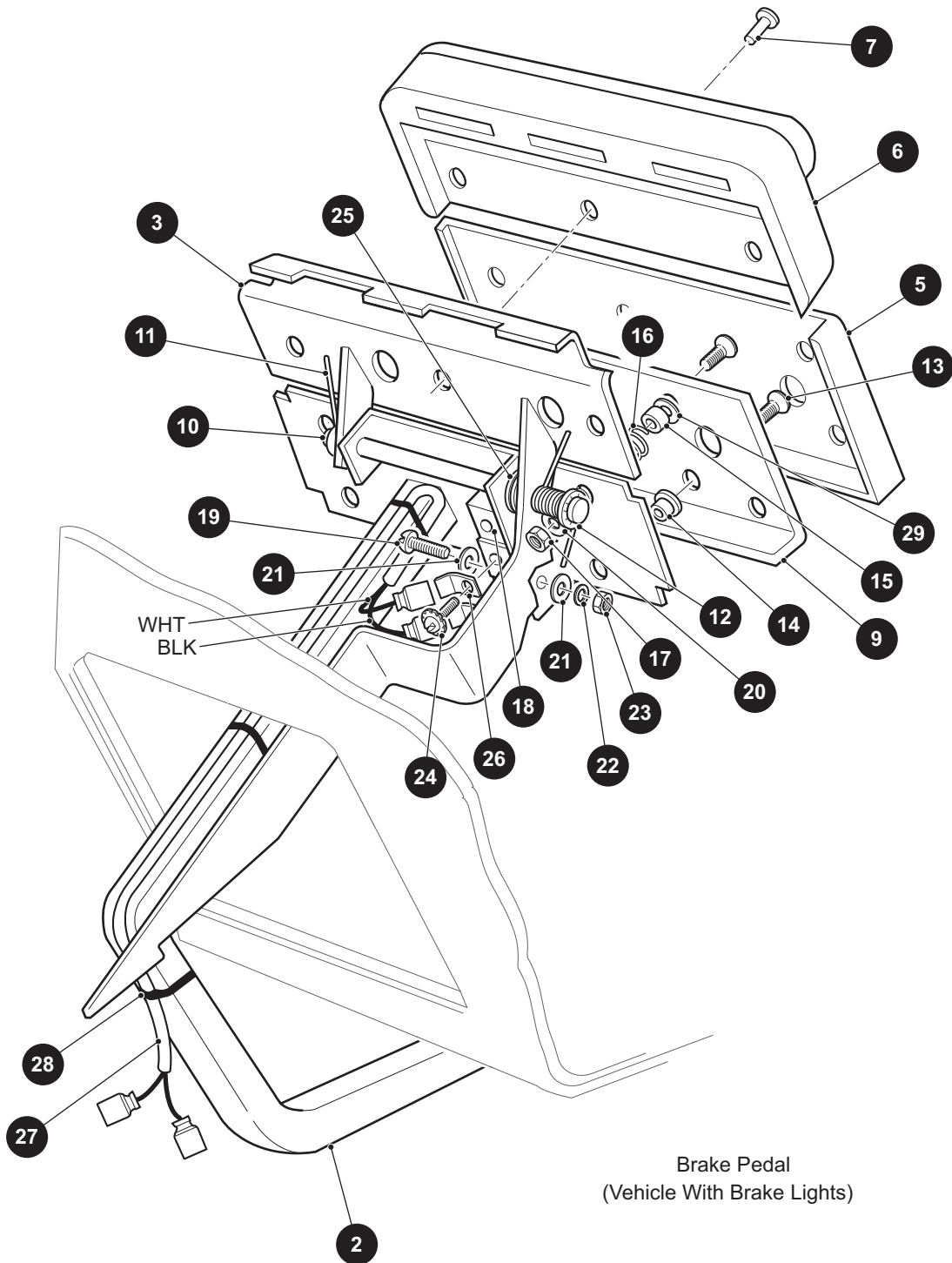
When ordering parts, please specify the model and serial number of the product

* Indicates a component that is not available as an individual part.

*** Indicates consult Customer Service Department for additional information.

ITEM	PART NO.	1	2	3	4	5	DESCRIPTION	QTY.
32	654665						Compensator Assembly (Includes Items 33 - 45).....	1
33	00532G4						Hex Nut, 1/4" - 20.....	2
34	629486						Spherical Hex Nut, 5/16" - 24.....	1
35	28082G01						Equalizer Bracket.....	1
36	15121G1						Flat Washer, 5/16".....	2
37	17979G1						Accelerator Rod Bushing, .464" I.D. x 1" O.D. x 2" Lg.....	1
38	23061G2						Tube.....	1
39	23463G1						Compression Spring.....	1
40	652256						Brake Yoke.....	1
41	11098G9						Hex Lock Nut, 5/16" - 24.....	1
42	612557						Compensator Link Rod.....	1
43	28083G01						Brake Compensator Bumper.....	2
44	624695						Brake Cable (Driver Side), 65.06" Lg.....	1
45	624696						Brake Cable (Passenger Side), 74.81" Lg.....	1
46								
47	17618G1						Nylon Clamp, 8" Lg (Not Illustrated).....	1

1 Brake Pedal Assembly (With Brake Lights) includes items 2 - 29



BRAKES

THE USE OF NON U.L. PARTS WILL VOID ANY U.L. LISTING.

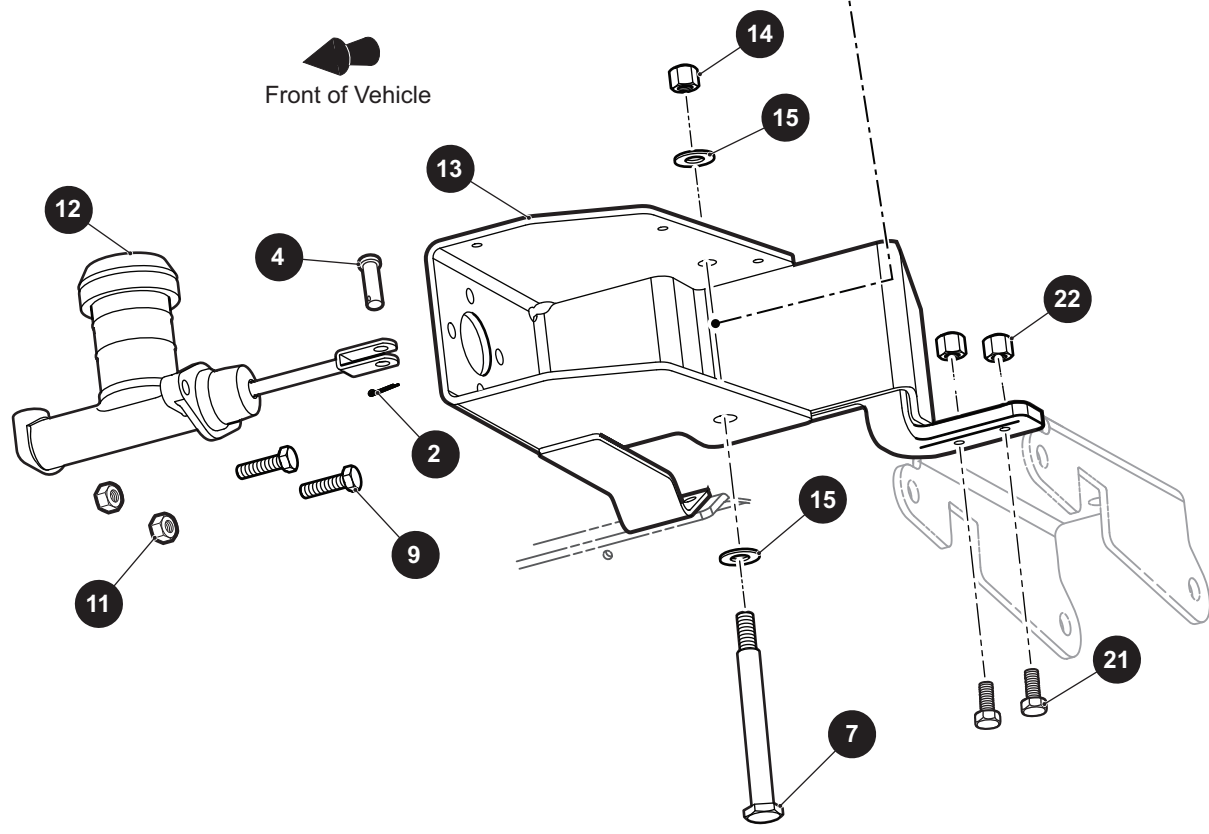
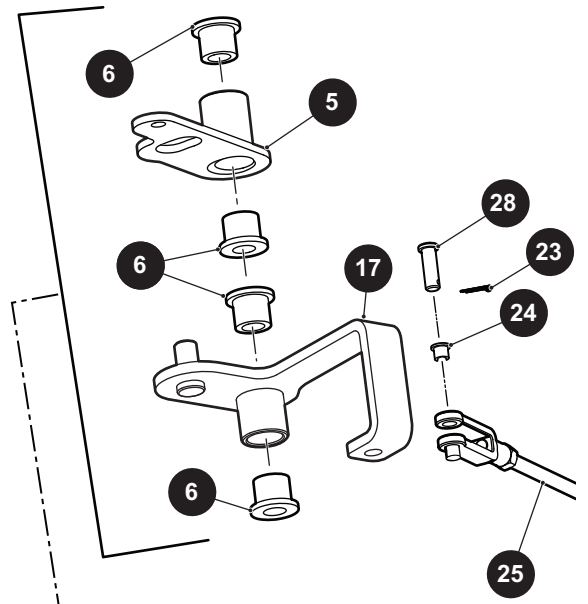
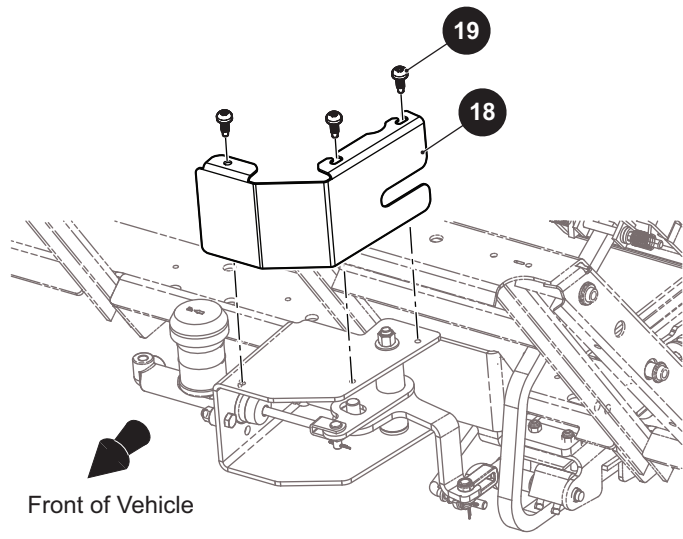
When ordering parts, please specify the model and serial number of the product.

* Indicates a component that is not available as an individual part.

*** Indicates consult Customer Service Department for additional information.

ITEM	PART NO.	1 2 3 4 5	DESCRIPTION	QTY.
1	74874G01		Brake Pedal Assembly (With Brake Lights) (Includes Items 2 - 29).....	1
2	74870G01		Brake Pedal	1
3	641760		Park Brake Pedal.....	1
4				
5	70257G01		Brake Pad	1
6	70256G01		Park Brake Pad	1
7	16409G1		Oval Rivet, 3/16" x 15/32" Lg.....	9
8				
9	70258G03		Brake Pedal Plate	1
10	70682G01		Parking Brake Pedal Pin.....	1
11	70681G01		Torsion Spring.....	2
12	658825		Pushnut, 5/16"	2
13	00737G8		Phillips Flat Head Machine Screw, #10 - 24 x 1" Lg	4
14	00739G1		Rubber Nut, #10 - 24	2
15	652355		Brake Pedal Spacer.....	2
16	27137G01		Conical Spring	2
17	14390G10		Lock Nut, #10 - 24	2
18	10606G8		Limit Switch (3 Pole).....	1
19	00645G2		Phillips Pan Head Machine Screw, #6 - 32 x 1 1/4" Lg.....	2
20	00559G5		Flat Washer, #10.....	2
21	00559G3		Flat Washer, #6.....	4
22	00565G3		Lock Washer, #6	2
23	00525G5		Hex Nut, #6 - 32	2
24	13514G1		Phillips Pan Head Machine Screw, #6 - 32 x 7/32" Lg.....	2
25	20835G1		Teflon Washer, 3/8".....	2
26	14628G1		Faston Tab	2
27	24605G1		Wire Harness (Brake Light)	1
28	17618G1		Wire Tie	3
29	00642G8		Flat Washer, #4.....	2

1 Front Disc Brake Actuator Assembly includes items 2 - 17



THE USE OF NON U.L. PARTS WILL VOID ANY U.L. LISTING.

When ordering parts, please specify the model and serial number of the product.

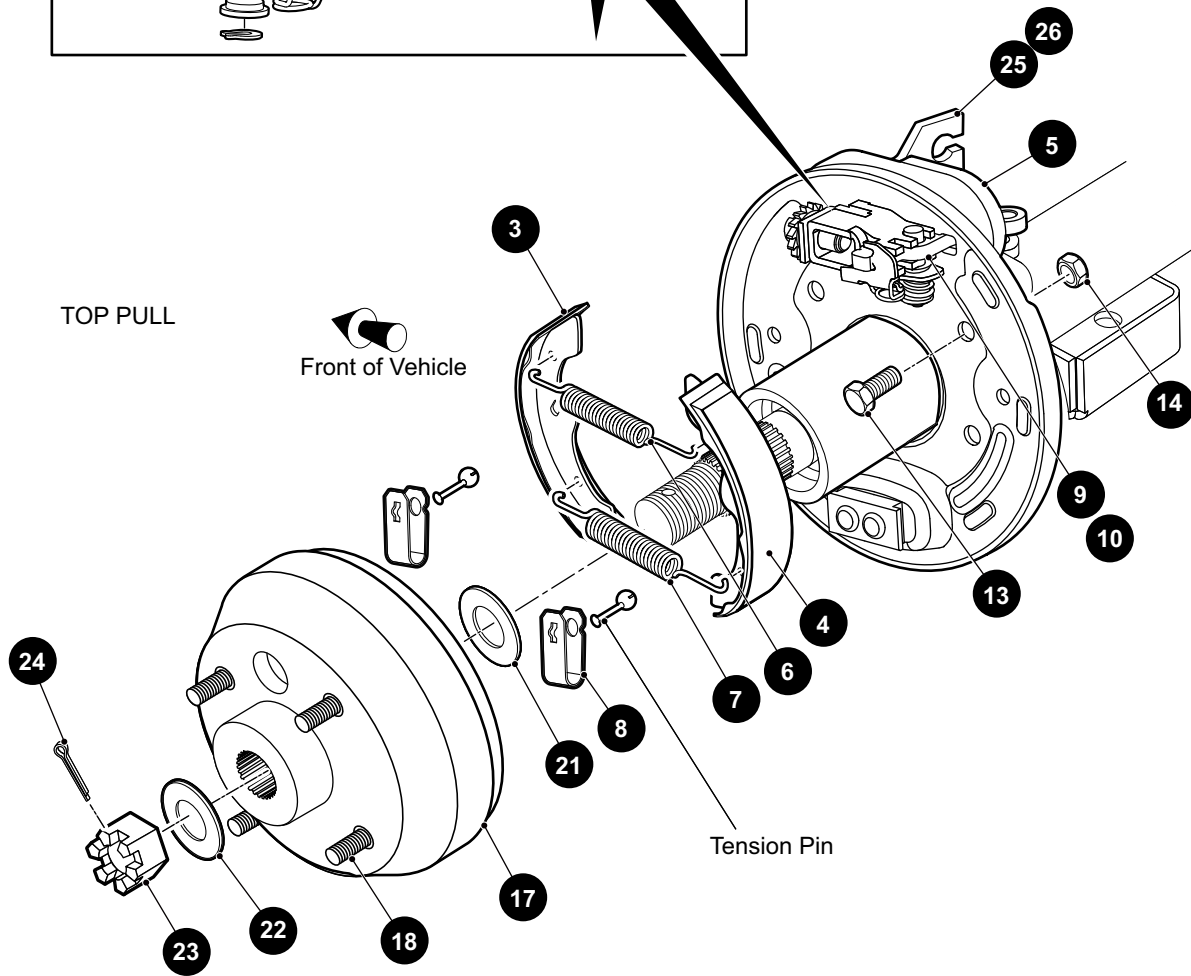
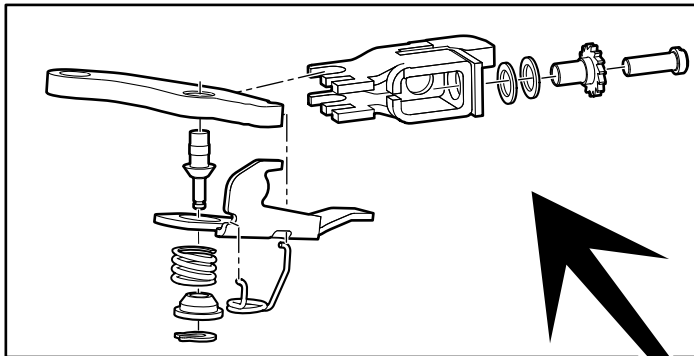
* Indicates a component that is not available as an individual part.

*** Indicates consult Customer Service Department for additional information.

ITEM	PART NO.	1 2 3 4 5	DESCRIPTION	QTY.
1	608706		Front Disc Brake Actuator Assembly (Includes Items 2 - 17)	1
2	10387G3		Cotter Pin, 3/32" x 3/4" Lg	1
3				
4	10386G3		Clevis Pin, 5/16" x 1" Lg	1
5	608122		Upper Actuator Pivot Bracket	1
6	70581G02		Acetal Bushing, .79" O.D. x .5" I.D. x .75" Lg	4
7	74711G01		Actuator Pivot Bolt, 3/4" - 16 x 3/4" Lg	1
8				
9	00439G1		Hex Head Bolt, 1/2" - 13 x 6" Lg, Grade 5	2
10				
11	11098G6		Lock Nut, 5/16" - 18	2
12	887364		Master Cylinder	1
13	612706		Master Cylinder Mount Weldment	1
14	11098G5		Lock Nut, 3/8" - 16	1
15	00679G1		Lock Washer (SS), 3/8"	2
16				
17	641826		Lower Actuator Pivot.....	1
18	612704		Actuator Assembly Cover.....	1
19	01038G01		Hex Washer Head Swageform Screw, 1/4" - 20 x .7" Lg	3
20				
21	00414G6		Hex Head Bolt, 1/4" - 20 x 3/4" Lg. Grade 5	2
22	14390G4		Lock Nut, 1/4" - 20	2
23	10387G3		Cotter Pin, .094" x .75" Lg.....	2
24	17838G1		Nylon Bushing, .37" O.D. x .31" I.D.....	2
25	608943		Actuator Linkage	1
26	00771G5		Flat Washer, 3/8" (Not Illustrated)	1
27				
28	10386G3		Clevis Pin, 5/16" x 13/16" Lg.....	2

BRAKES

- 1 Brake Assembly (Driver Side) includes items 3 - 9
- 2 Brake Assembly (Passenger Side) includes items 3 - 8, 10
- 16 Brake Drum Assembly includes items 17, 18



THE USE OF NON U.L. PARTS WILL VOID ANY U.L. LISTING.

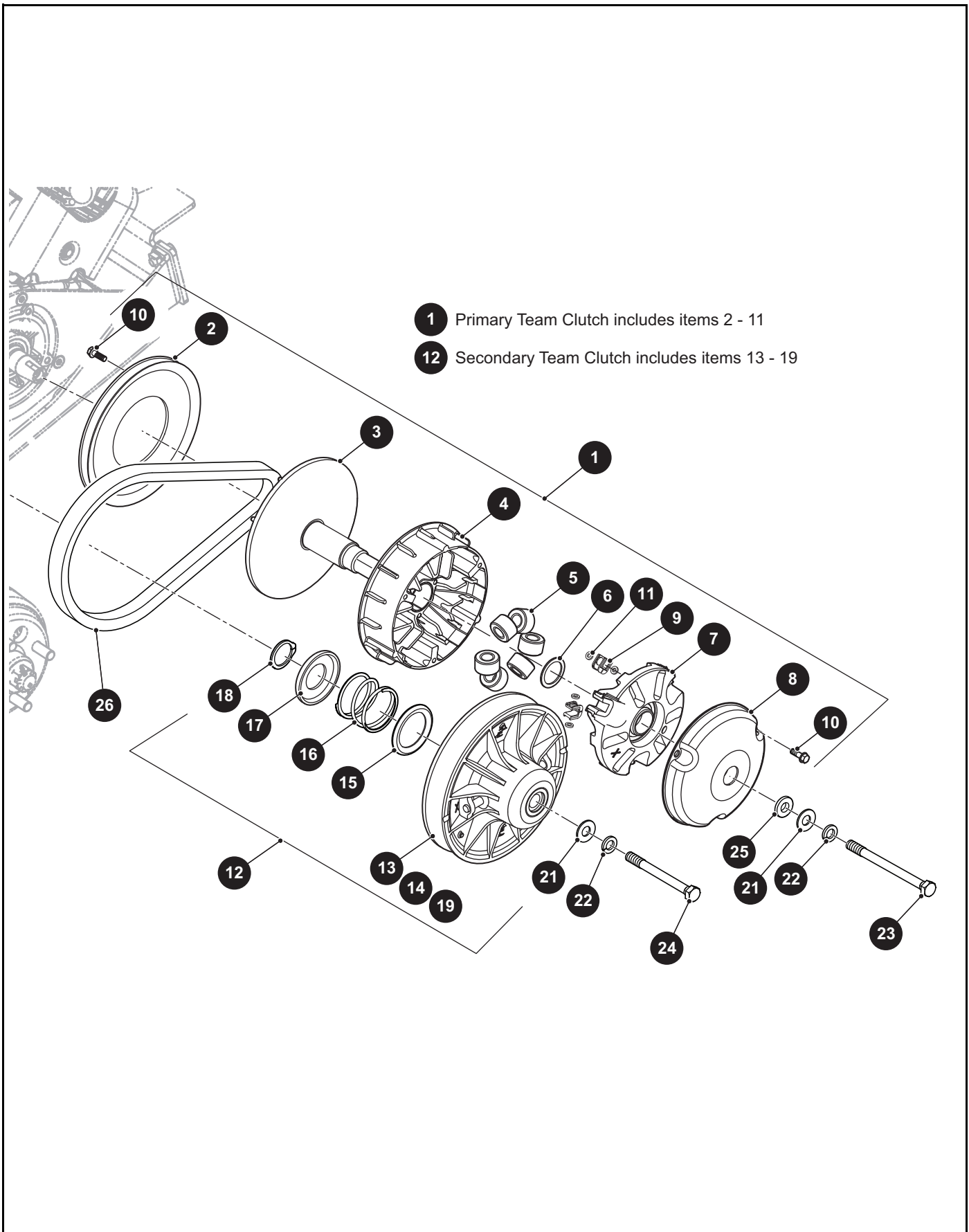
When ordering parts, please specify the model and serial number of the product.

* Indicates a component that is not available as an individual part.

*** Indicates consult Customer Service Department for additional information.

ITEM	PART NO.	1 2 3 4 5	DESCRIPTION	QTY.
1	612189		Brake Assembly (Driver Side) (Includes Items 3 - 9)	1
2	612211		Brake Assembly (Passenger Side) (Includes Items 3 - 8, 10).....	1
3	612411		Brake Shoe, Leading	1
4	612412		Brake Shoe, Trailing	1
5	612413		Dust Cover.....	1
6	612415		Brake Spring, Top	1
7	612414		Brake Spring, Bottom	1
8	612416		Shoe Clamp.....	2
9	612418		Gear Adjuster (Driver Side)	1
10	612417		Gear Adjuster (Passenger Side).....	1
11				
12				
13	17083G2		Hex Head Bolt, 5/16" - 24 x 1" Lg, Grade 8	4
14	15126G1		Lock Nut, 5/16" - 24	4
15				
16	21807G2		Brake Drum Assembly (Includes Items 17, 18).....	1
17	20947G1		Brake Drum	1
18	19862G2		Lug Bolt, 1/2" - 20 x 1.718" Lg.....	4
19				
20				
21	21809G1		Flat Washer (Inner Wheel Rim), .984" x 1.312" x .031"	1
22	606945		Flat Washer (Brake Drum), O.D 1.752" x I.D .898"	1
23	613172		Slotted Hex Nut, 3/4" - 16	1
24	10387G1		Cotter Pin, 5/32" x 1 3/4" Lg.....	1
25	652248		Brake Cable Bracket (Passenger Side)	1
26	652249		Brake Cable Bracket (Driver Side).....	1

CLUTCH



THE USE OF NON U.L. PARTS WILL VOID ANY U.L. LISTING.

When ordering parts, please specify the model and serial number of the product.

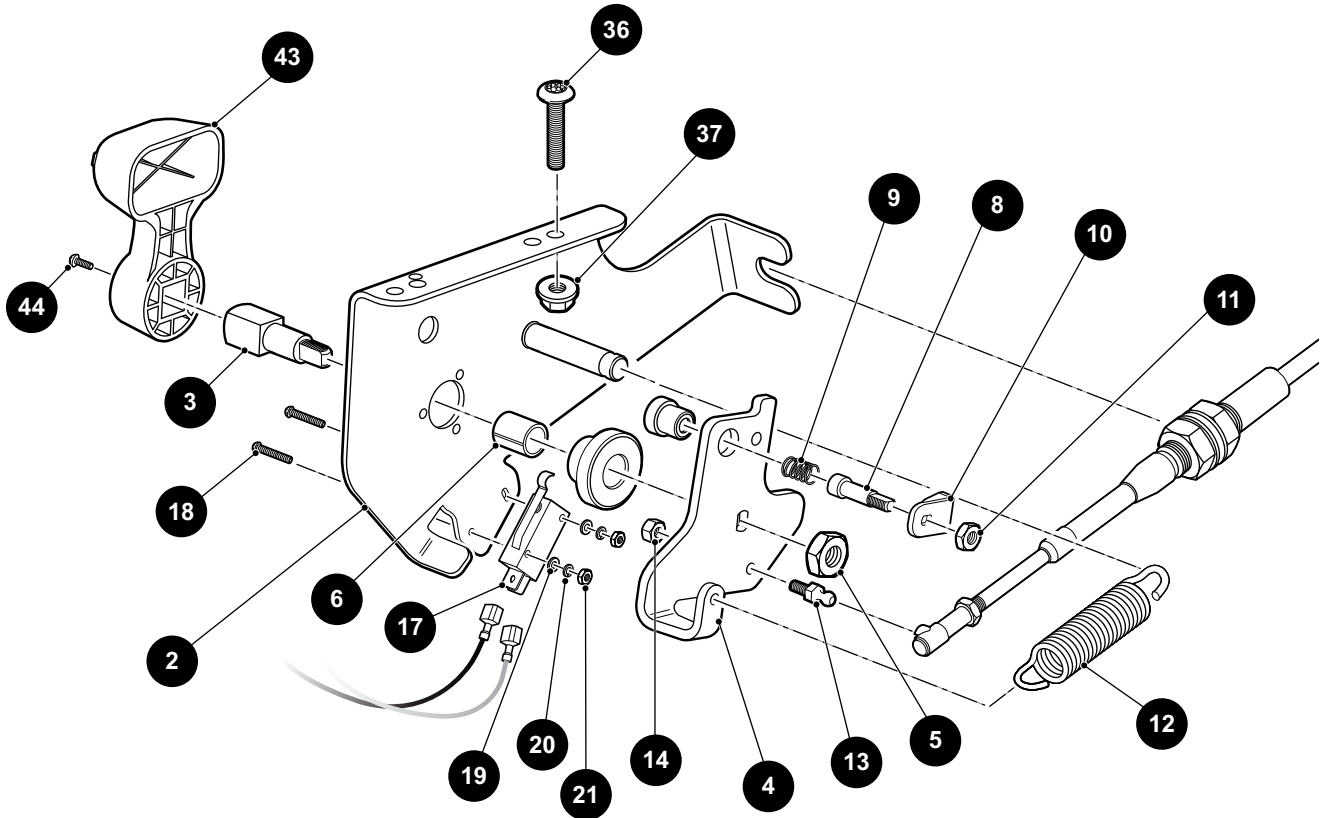
* Indicates a component that is not available as an individual part.

*** Indicates consult Customer Service Department for additional information.

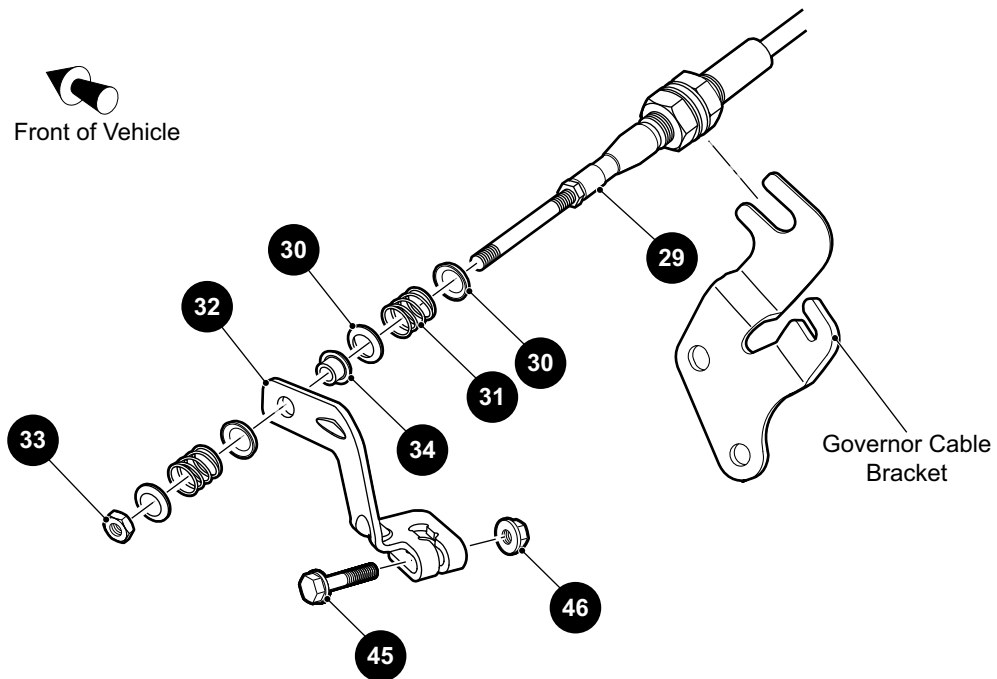
ITEM	PART NO.	1 2 3 4 5	DESCRIPTION	QTY.
1	672688		Primary Team Clutch (Includes Items 2 - 11)	1
2	619333		Primary Starter Pulley, 195	1
3	*		Stationary Assembly	1
4	*		Moveable Primary Assembly	1
5	624112		Shift Roller Assembly	6
6	619337		Shim, 39.5mm x 31.75mm	1
7	644303		Primary Spider Assembly	1
8	*		Primary Dust Cover Assembly	1
9	644305		Torque Primary Button	6
10	619332		Hex Washer Head Bolt, 1/4" - 20 x 3/4" Lg	7
11	644306		Torque Primary Plug	6
12	623949		Secondary Team Clutch (Includes Items 13 - 19)	1
13	*		Secondary Stationary, 9.5	1
14	*		Moveable Secondary, 9.5	1
15	619327		Inner Retainer Spring	1
16	624111		Compression Spring	1
17	619329		Outer Spring Retainer	1
18	652515		External Retainer Ring	1
19	619331		Thrust Washer, 1 53" x 1 83" x 1"	1
20				
21	606239		Conical Washer, M12	2
22	00566G3		Lock Washer (Spring Type), 3/8"	2
23	606245		Hex Head Bolt, M12 - 1.25 x 160mm Lg, Grade 8.8	1
24	606243		Hex Head Bolt, M12 - 1.25 x 120mm Lg, Grade 8.8	1
25	606230		Clutch Washer, 27.5 Dia. O.D. x 13.06 Dia. I.D.	1
26	618630		Drive Belt	1

DIRECTION SELECTOR

1 Direction Selector Assembly includes items 2 - 34



Front of Vehicle



Governor Cable Bracket

DIRECTION SELECTOR

THE USE OF NON U.L. PARTS WILL VOID ANY U.L. LISTING.

When ordering parts, please specify the model and serial number of the product.

* Indicates a component that is not available as an individual part.

*** Indicates consult Customer Service Department for additional information.

ITEM	PART NO.	1 2 3 4 5	DESCRIPTION	QTY.
1	605999		Direction Selector Assembly (Includes Items 2 - 34).....	1
2	603627		Direction Selector Bracket	1
3	606266		Direction Selector Shaft.....	1
4	603700		Direction Selector Cam.....	1
5	14390G1		Lock Nut, 3/8" - 24	1
6	25664G2		Bushing, 1/2" x .750" Lg	1
7				
8	72724G01		Neutral Lock Pin	1
9	72733G01		Compression Spring	1
10	72729G01		Neutral Lock Latch.....	1
11	00734G2		Lock Nut, 1/4" - 28	1
12	28574G01		Extension Spring	1
13	72732G01		Ball Stud, #10 - 32	1
14	00734G5		Lock Nut, #10 - 32	1
15				
16				
17	72736G01		Micro Switch	1
18	01062G01		Round Head Screw, #4 - 40 x 1" Lg	2
19	00559G1		Flat Washer, #4.....	2
20	00565G1		Lock Washer, #4	2
21	00526G2		Hex Nut, #4 - 40	2
22				
23				
24				
25				
26				
27				
28				
29	605809		Shifter Cable	1
30	25727G01		Cup Washer, 1/4".....	4
31	72735G01		Compression Spring	2

DIRECTION SELECTOR

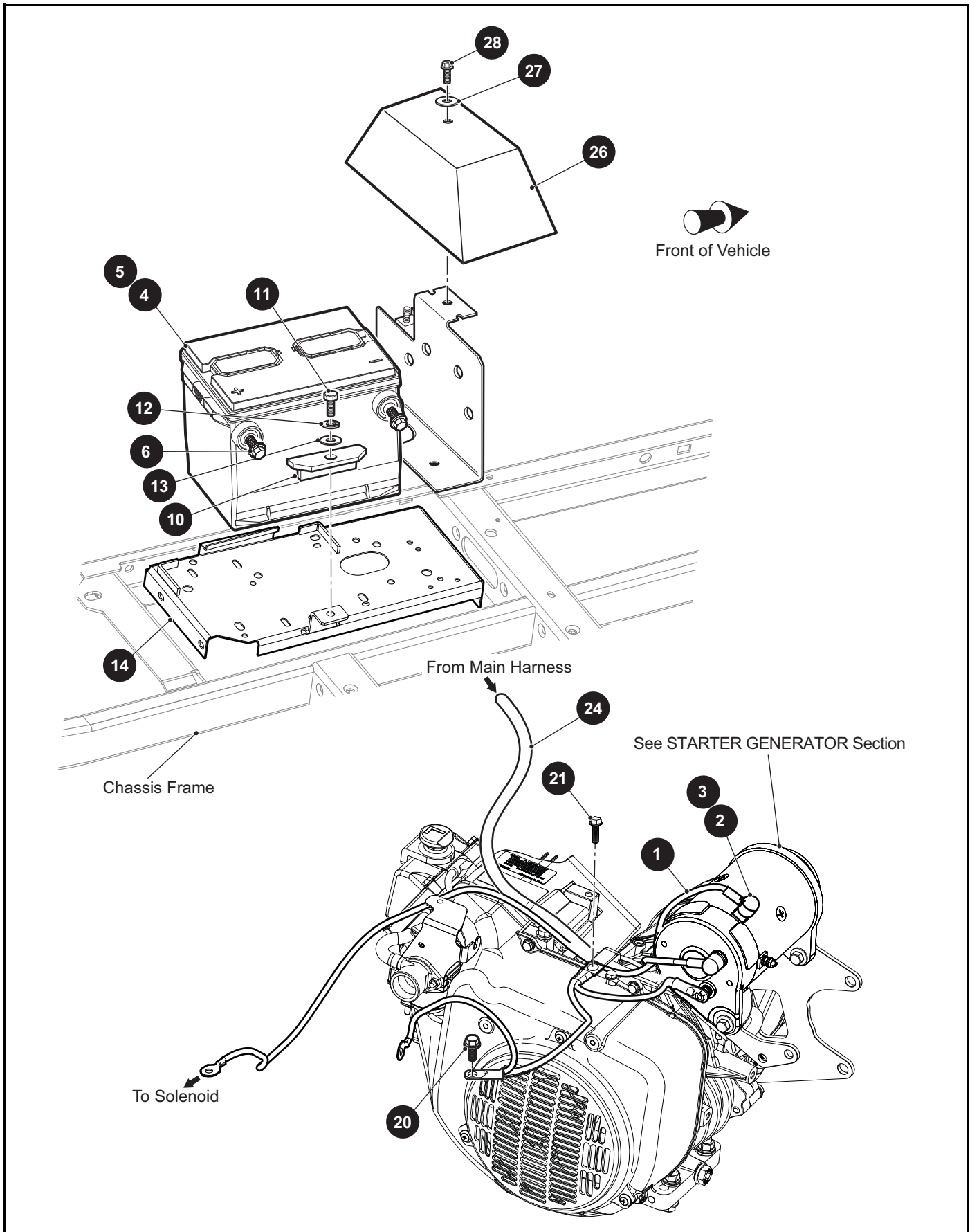
THE USE OF NON U.L. PARTS WILL VOID ANY U.L. LISTING.

When ordering parts, please specify the model and serial number of the product.

* Indicates a component that is not available as an individual part.

*** Indicates consult Customer Service Department for additional information.

ITEM	PART NO.	1	2	3	4	5	DESCRIPTION	QTY.
32	632891						Pivot Bracket.....	1
33	00734G5						Lock Nut, #10 - 32.....	1
34	22754G4						Bushing (Flip Lok), .250".....	1
35								
36	70227G01						Socket Head Bolt, 1/4" - 20 x 7/8" Lg, Grade 8.....	2
37	11027G2						Flanged Lock Nut, 1/4" - 20.....	2
38								
39								
40								
41								
42	31539G1						Nylon Clamp, 15.5" Lg (Not Illustrated).....	1
43	71205G01						Direction Selector Handle.....	1
44	01037G02						Pan Head Torx Screw, #10 - 32 x 1/2" Lg.....	1
45	606421						Flanged Hex Head Bolt, M6 - 1 x 30mm Lg, Grade 8.8.....	1
46	450452						Hex Nut, M6 - 1.....	1



THE USE OF NON U.L. PARTS WILL VOID ANY U.L. LISTING.

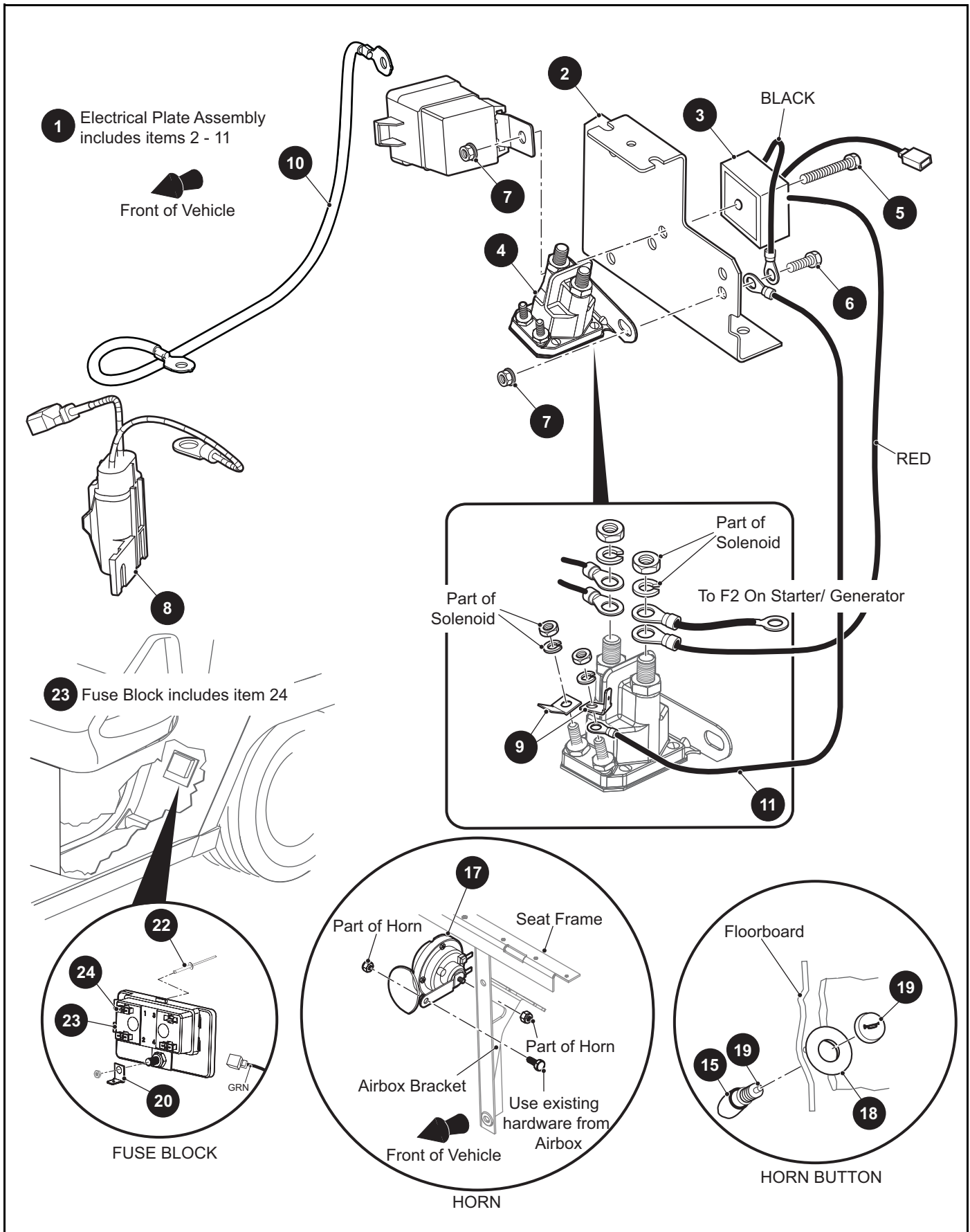
When ordering parts, please specify the model and serial number of the product.

* Indicates a component that is not available as an individual part.

*** Indicates consult Customer Service Department for additional information.

ITEM	PART NO.	1 2 3 4 5	DESCRIPTION	QTY.
1	607103		#6 GA Wire, 42" Lg	1
2	25682G01		Terminal Cover	3
3	25682G01		Terminal Cover (For CE Vehicles).....	2
4	638433		Battery, 12V.....	1
5	637484		Battery, 12V, HD.....	1
6	640488		Battery Bolt	2
7				
8				
9				
10	72101G02		Battery Hold Down	1
11	00438G6		Hex Head Bolt, 5/16" - 18 x 3/4" Lg, Grade 5	1
12	00565G8		Lock Washer, 5/16"	1
13	00571G2		Flat Washer (SS), 5/16"	1
14	652441G03		Battery Tray.....	1
15				
16				
17				
18				
19				
20	00715G2		Hex Washer Head Screw, 5/16" - 18 x .875" Lg	4
21	606264		Flanged Hex Head Bolt, M6 - 1 x 20mm Lg, Grade 8.8	1
22				
23				
24	659015		Main Harness	1
25				
26	73049G01		Direction Selector Cover	1
27	16469G1		Fender Washer, 1/4"	1
28	00114G6		Hex Washer Head Slotted Tapping Screw, 1/4" - 14 x 3/4" Lg.....	1
29	608772		#6AWG Wire (Blue) (For CE vehicles) (Not Illustrated)	1
30	625757		#6AWG Wire (Blue) (Solenoid - F2) (For CE Vehicles) (Not Illustrated)	1

ELECTRICAL



THE USE OF NON U.L. PARTS WILL VOID ANY U.L. LISTING.

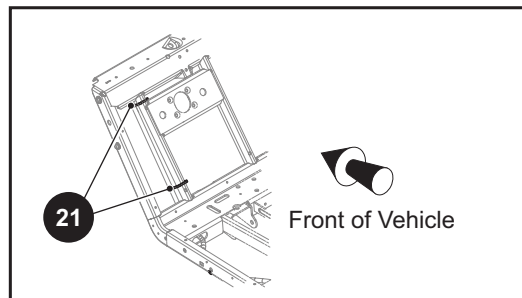
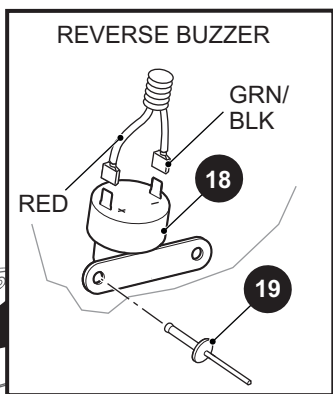
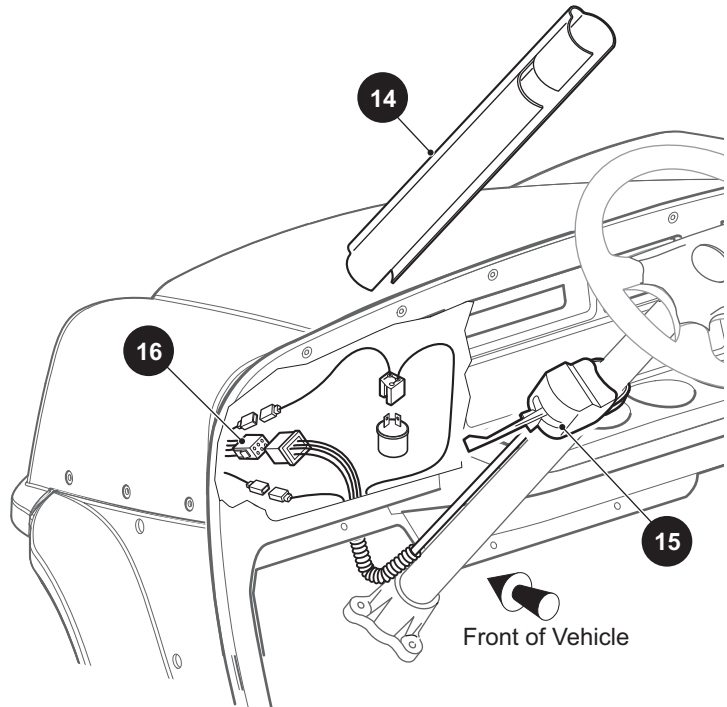
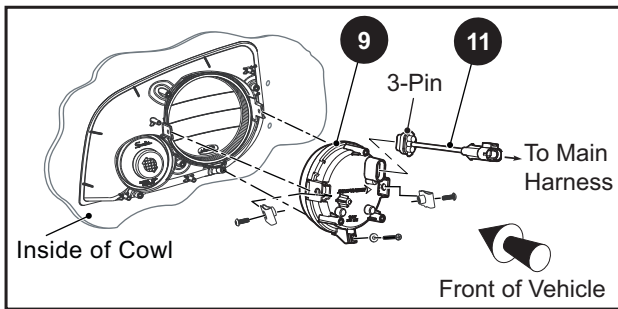
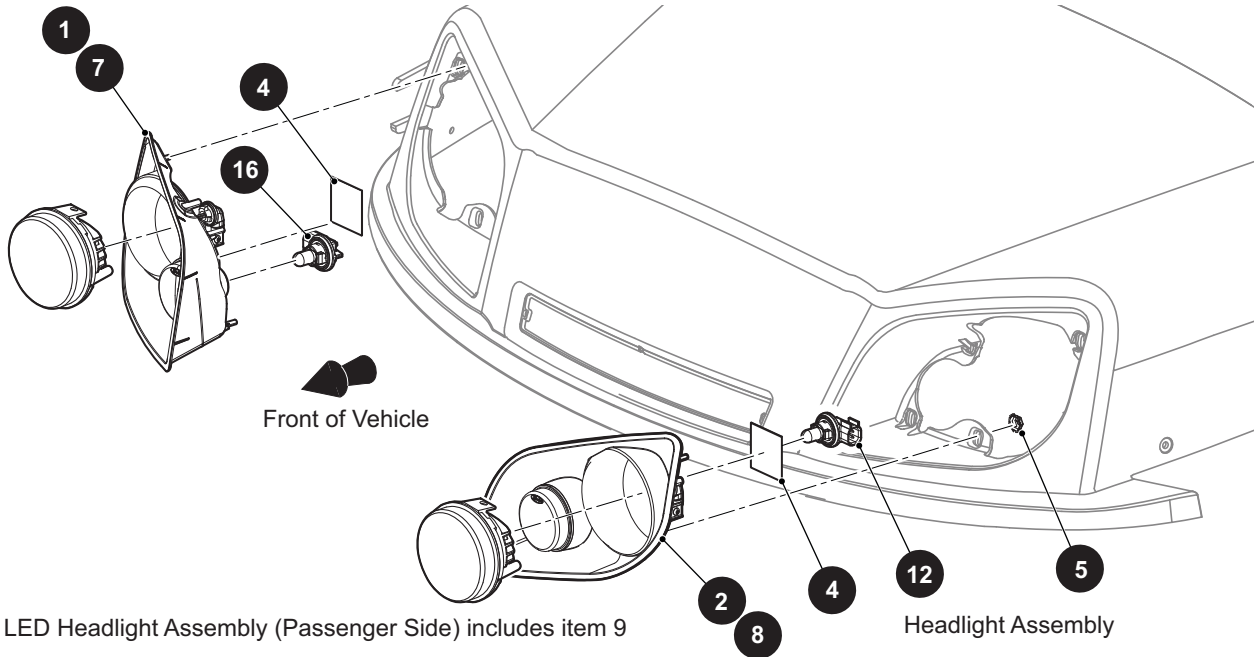
When ordering parts, please specify the model and serial number of the product.

* Indicates a component that is not available as an individual part.

*** Indicates consult Customer Service Department for additional information.

ITEM	PART NO.	1 2 3 4 5	DESCRIPTION	QTY.
1	660446		Electrical Plate Assembly (Includes Items 2 - 11)	1
2	73057G02		Bracket	1
3	27739G01		Voltage Regulator	1
4	663716		Solenoid.....	1
5	303459		Hex Head Bolt, 1/4" - 20 x 1 1/2" Lg, Grade 5.....	1
6	00661G8		Hex Head Bolt (SS), 1/4" - 20 x 1" Lg.....	1
7	11027G2		Flanged Lock Nut, 1/4" - 20.....	2
8	658683		Electrical Plate Harness	1
9	73446G01		Faston Tab, 90°.....	2
10	645190		#6 GA Wire Assembly.....	1
11	25978G56		#18 GA Wire Assembly (Black).....	1
12				
13				
14				
15	27068G01		Horn Switch Boot	1
16				
17	32860G01		Horn	1
18	608397		Horn Plate	1
19	17318G1		Horn Switch.....	1
20	73446G01		Faston Tab	1
21				
22	15058G6		Rivet, (Aluminum), 3/16" x .937" Lg	2
23	676066G01		Fuse Block (Includes Item 24).....	1
24	636455G23		Fuse, 15A	3

ELECTRICAL



THE USE OF NON U.L. PARTS WILL VOID ANY U.L. LISTING.

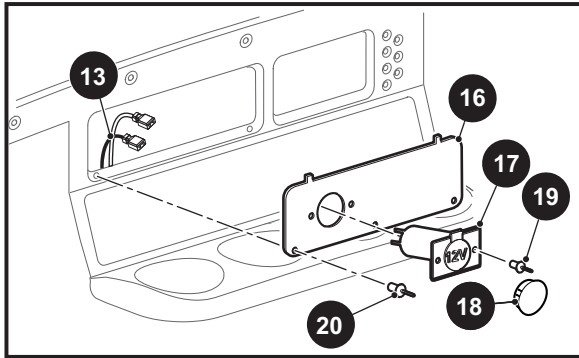
When ordering parts, please specify the model and serial number of the product.

* Indicates a component that is not available as an individual part.

*** Indicates consult Customer Service Department for additional information.

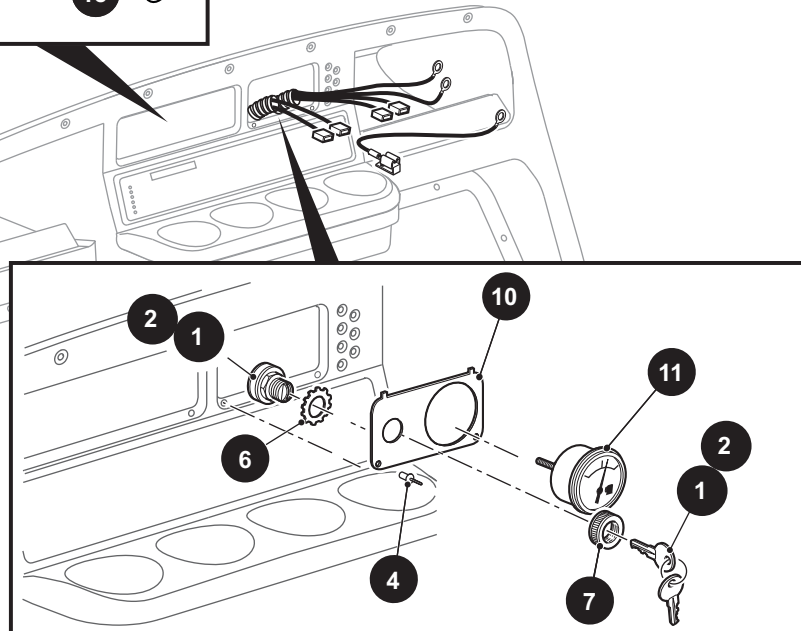
ITEM	PART NO.	1 2 3 4 5	DESCRIPTION	QTY.
1	644876		Headlight Assembly (Passenger Side).....	1
2	644877		Headlight Assembly (Driver Side)	1
3				
4	71781G02		Vinyl Tape.....	1
5	71597G01		Self Threading Nut, 5mm x 10mm x 15mm.....	4
6				
7	659008		LED Headlight Assembly (Passenger Side) (Includes Item 9).....	1
8	659009		LED Headlight Assembly (Driver Side) (Includes Item 9).....	1
9	651411G03		LED Headlight	1
10				
11	654465		Jumper Harness, LED Headlight.....	1
12	619102		Turn Signal Assembly Bulb	1
13				
14	20965G3		Steering Column Cover.....	1
15	611810		Turn Signal Switch Assembly	1
16	645193		Accessory Harness	1
17				
18	73290G03		Buzzer	1
19	01041G01		Rivet, 5/32"	2
20				
21	31539G1		Nylon Clamp, 15.5" Lg	5

CONSOLE INSERT PLATE

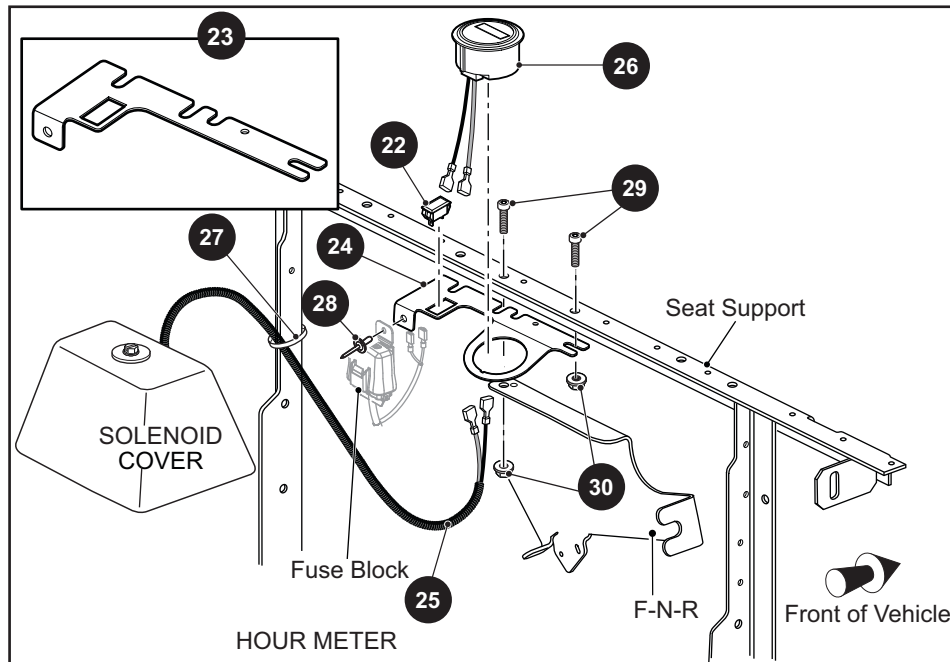


- 9 Gauge Plate (Fuel Gauge with Lights) includes items 10, 11
- 14 Console Insert Assembly includes items 16, 18
- 15 Console Insert Assembly includes items 16 - 19

Front of Vehicle



KEY SWITCH, INDICATOR LIGHT(S), AND FUEL GAUGE



THE USE OF NON U.L. PARTS WILL VOID ANY U.L. LISTING.

When ordering parts, please specify the model and serial number of the product.

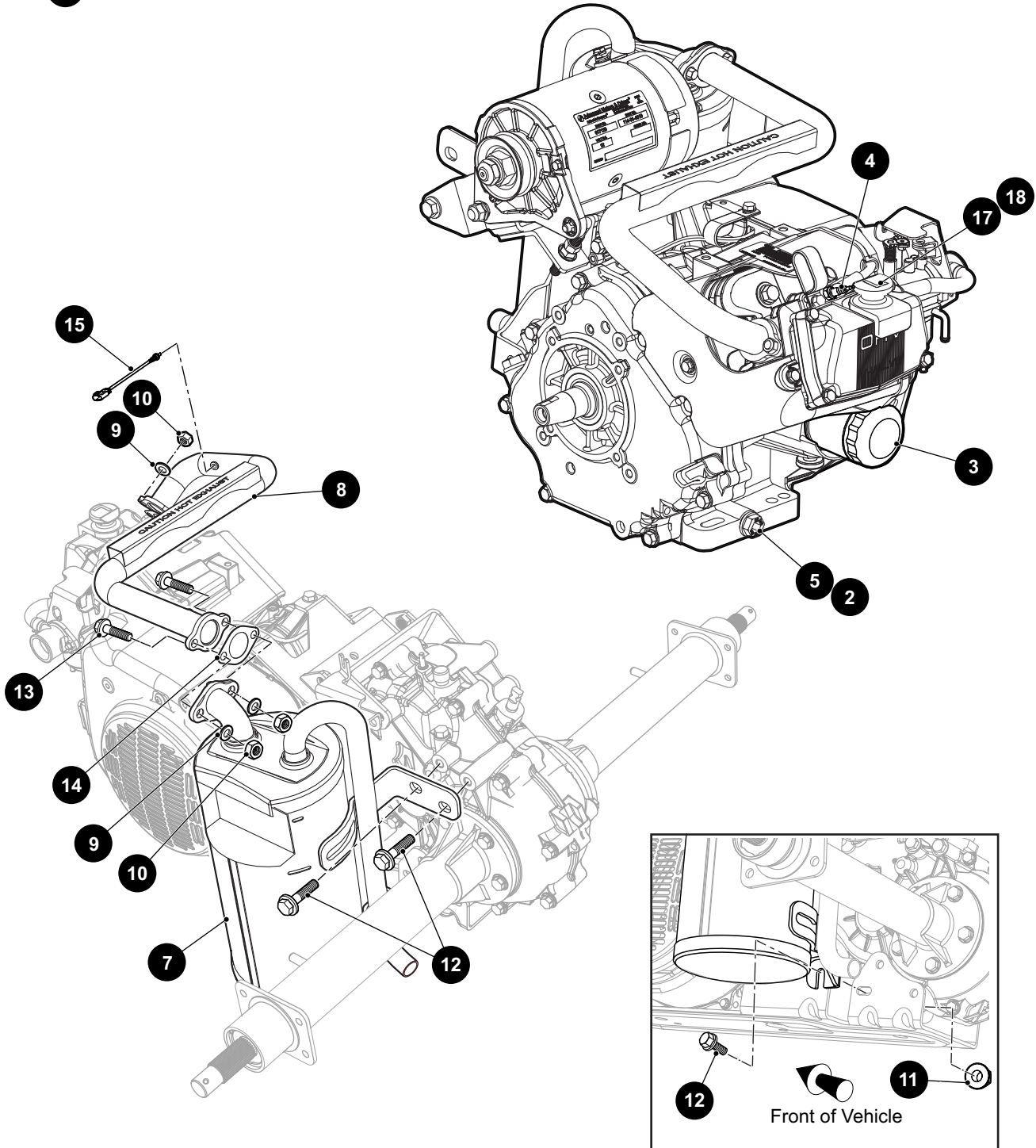
* Indicates a component that is not available as an individual part.

*** Indicates consult Customer Service Department for additional information.

ITEM	PART NO.	1 2 3 4 5	DESCRIPTION	QTY.
1	33639G01		Ignition Switch (with Light)	1
2	33639G03		Ignition Switch (with Light, Individual)	1
3				
4	33623G02		Drive Rivet, 3/16" x 3/8" Lg	2
5				
6	00568G6		Lock Washer (External Tooth Type), 3/4"	1
7	17137G1		Face Nut, 3/4" - 20	1
8				
9	656282G06		Gauge Plate (Fuel Gauge with Lights) (Includes Items 10, 11).....	1
10	73030G14		Console Insert Plate	1
11	648247		Fuel Level Gauge	1
12				
13	645201		Wire Harness (Power Outlet)	1
14	74693G03		Console Insert Assembly (Includes Items 16, 18).....	1
15	74693G04		Console Insert Assembly (Includes Items 16 - 19).....	1
16	73522G03		Console Insert Plate	1
17	71078G01		Power Outlet (12V)	1
18	20271G10		Plug	1
19	14601G10		Rivet (Aluminum), 5/32"	2
20	33623G02		Drive Rivet, 3/16" x 3/8" Lg	3
21				
22	659101		Malfunction Indicator Light	1
23	659085		Fuse Bracket (For Vehicles without Hour Meter)	1
24	662631		Fuse Bracket (For Vehicles with Hour Meter)	1
25	664689		Hour Meter Harness	1
26	617074		Hour Meter	1
27	17618G1		Nylon Clamp.....	2
28	71055G01		Rivet, 3/16" Dia.	1
29	70227G01		Socket Head Cap Screw, 1/4" - 20 x 7/8" Lg, Grade 8.....	2
30	11027G2		Lock Nut, 1/4" - 20	2

ENGINE AND MUFFLER

1 EFI Engine, 13.5 HP includes items 2 - 5



ENGINE AND MUFFLER

THE USE OF NON U.L. PARTS WILL VOID ANY U.L. LISTING.

When ordering parts, please specify the model and serial number of the product.

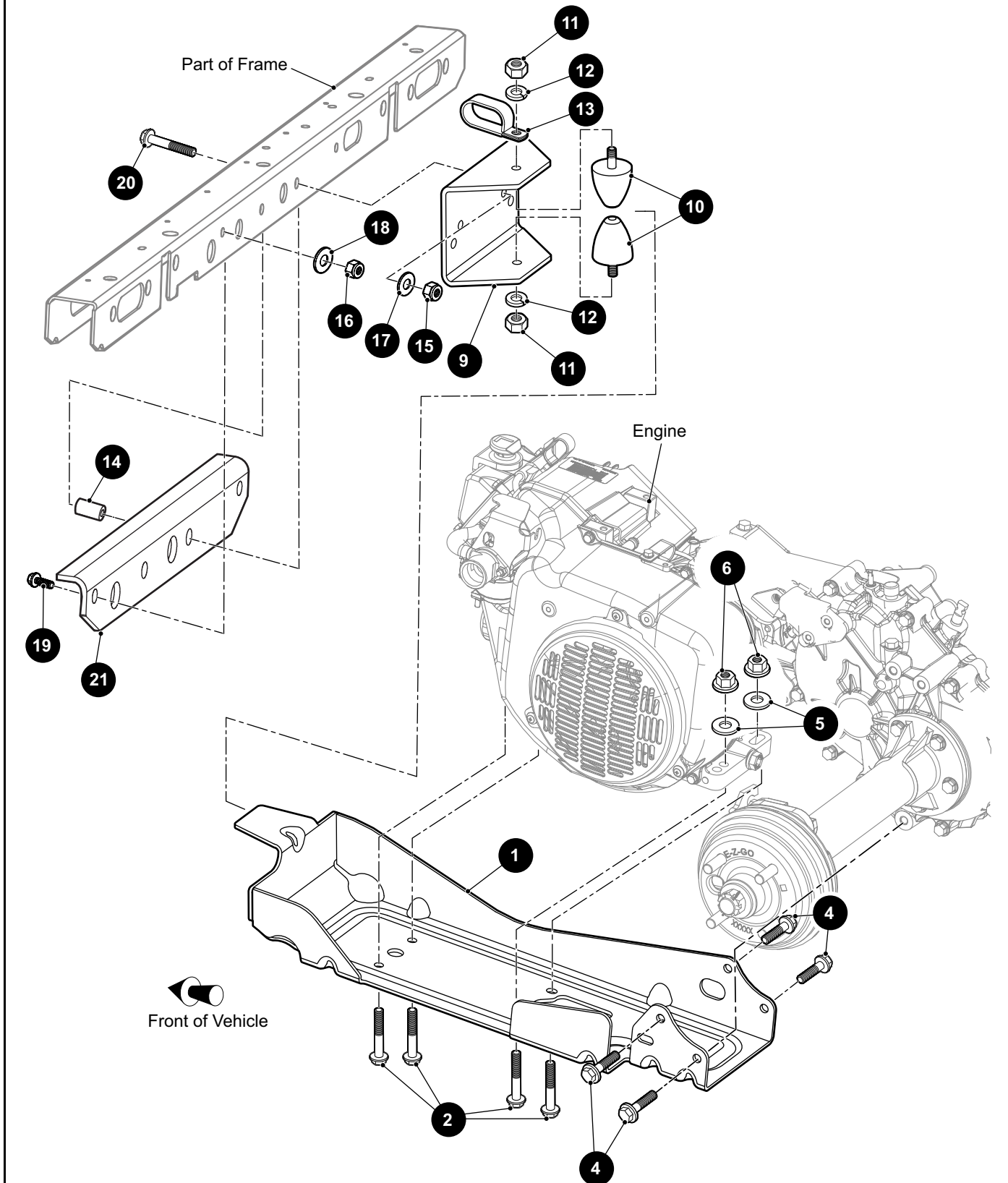
* Indicates a component that is not available as an individual part.

*** Indicates consult Customer Service Department for additional information.

ITEM	PART NO.	1 2 3 4 5	DESCRIPTION	QTY.
1	658237		EFI Engine, 13.5 HP (Includes Items 2 - 5).....	1
2	603562		O-Ring, 16mm	1
3	607454		Oil Filter	1
4	607462		Spark Plug	1
5	603557		Oil Drain Plug	1
6				
7	674854		Muffler	1
8	657450		Exhaust Manifold.....	1
9	606272		Lock Washer, 8mm	4
10	606267		Hex Jam Nut, M8 - 1.25	4
11	606279		Flanged Hex Nut, M10 - 1.25	1
12	606256		Flanged Hex Head Bolt, M10 - 1.25 x 25mm Lg, Grade 8.8.....	3
13	602330		Flanged Hex Head Bolt, M8 - 1.25 x 30mm Lg, Grade 8.8.....	2
14	603599		Exhaust Gasket.....	2
15	657449		Oxygen Sensor	1
16				
17	606390		Oil Dip Stick (For Low Suspension Vehicles)	1
18	606391		Oil Dip Stick (For High Suspension Vehicles)	1

ENGINE MOUNTING

8 Front Mount Bracket Assembly includes items 9 - 13



ENGINE MOUNTING

THE USE OF NON U.L. PARTS WILL VOID ANY U.L. LISTING.

When ordering parts, please specify the model and serial number of the product.

* Indicates a component that is not available as an individual part.

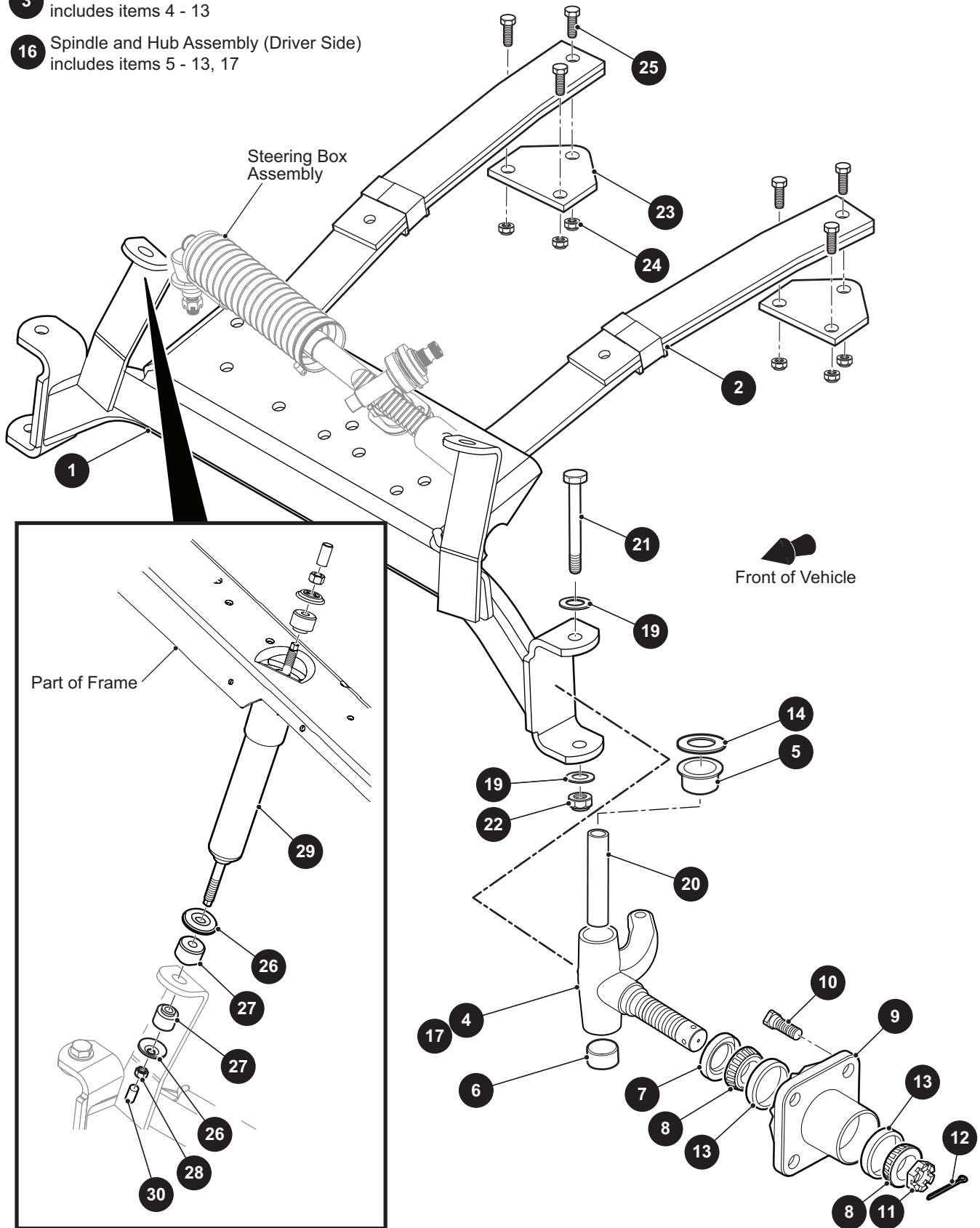
*** Indicates consult Customer Service Department for additional information.

ITEM	PART NO.	1 2 3 4 5	DESCRIPTION	QTY.
1	630776		Engine Pan	1
2	606259		Flanged Hex Head Bolt, M10 - 1.25 x 45mm Lg, Grade 8.8	4
3				
4	606256		Flanged Hex Head Bolt, M10 - 1.25 x 25mm Lg, Grade 8.8	4
5	603823		Flat Washer, M10	4
6	606279		Flanged Hex Nut, M10 - 1.25	4
7				
8	662794		Front Mount Bracket Assembly (Includes Items 9 - 13)	1
9	625345		Front Mount Bracket	1
10	605757		Rubber Bumper	2
11	00974G01		Hex Nut, M10 - 1.5	2
12	608654		Lock Washer, 10mm	2
13	692754		Tube Clamp (Wide), 1"	1
14	72016G01		Tube Spacer	2
15	11098G5		Lock Nut, 3/8" - 16	2
16	01109G01		Lock Nut, 5/16" - 18	2
17	00643G1		Flat Washer, 3/8"	2
18	00559G8		Flat Washer, 5/16"	2
19	00438G7		Hex Head Bolt, 5/16" - 18 x 7/8" Lg, Grade 5	2
20	00428G8		Hex Head Bolt, 3/8" - 16 x 2.75" Lg	2
21	652247		Cross-member Brace	1

FRONT SUSPENSION AND STEERING

3 Spindle and Hub Assembly, 4 Lug (Passenger Side)
includes items 4 - 13

16 Spindle and Hub Assembly (Driver Side)
includes items 5 - 13, 17



FRONT SUSPENSION AND STEERING

THE USE OF NON U.L. PARTS WILL VOID ANY U.L. LISTING.

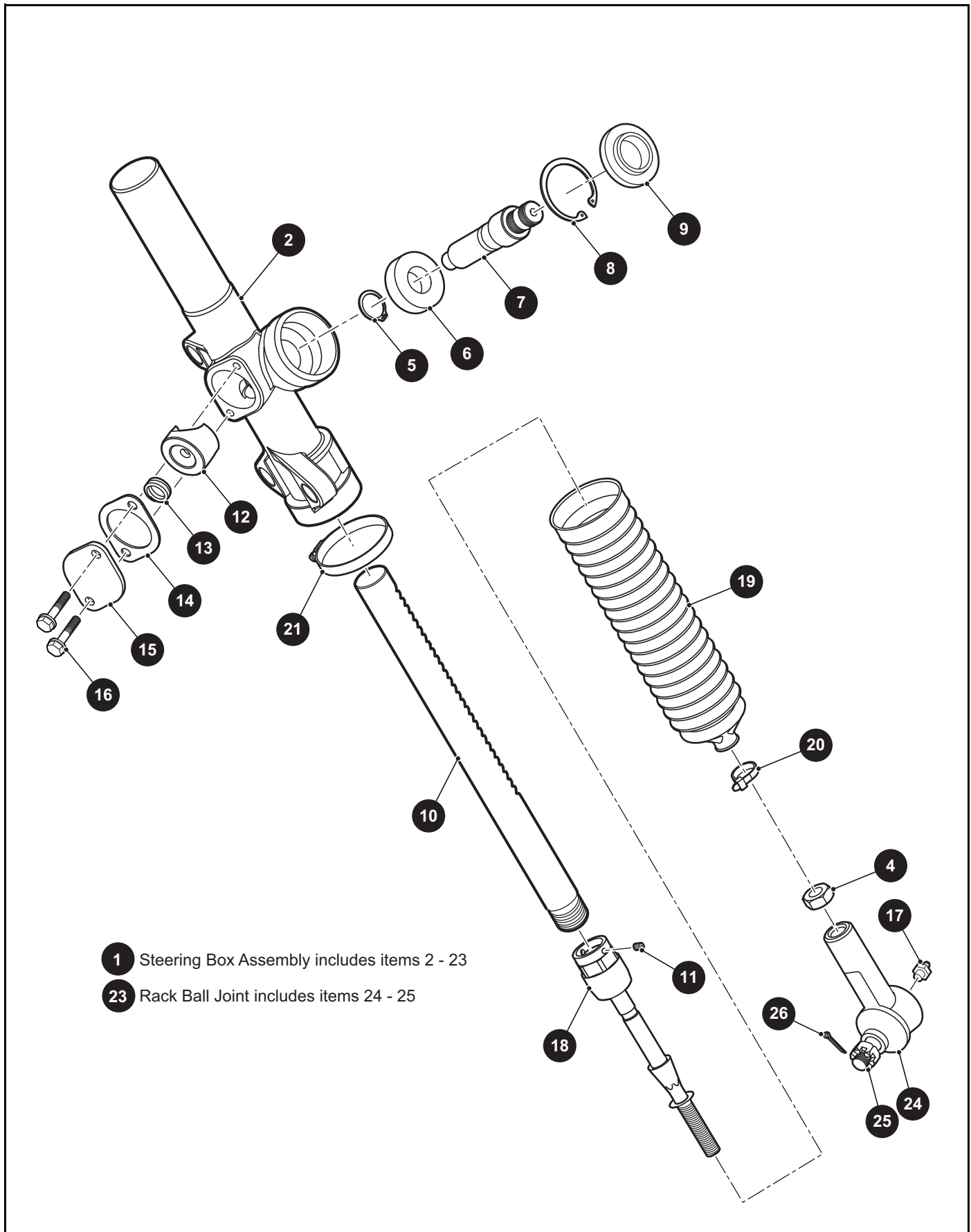
When ordering parts, please specify the model and serial number of the product.

* Indicates a component that is not available as an individual part.

*** Indicates consult Customer Service Department for additional information.

ITEM	PART NO.	1 2 3 4 5	DESCRIPTION	QTY.
1	602512		Front Axle	1
2	70989G03		Leaf Spring.....	2
3	70673G03		Spindle and Hub Assembly, 4 Lug (Passenger Side) (Includes Items 4 - 13)..	1
4	70742G02		Spindle Assembly	1
5	632925		Flanged Bushing, O.D 35MM x I.D 25MM.....	1
6	632926		Bearing, O.D 28MM.....	1
7	25146G1		Grease Seal.....	1
8	11750G2		Roller Bearing and Race Assembly	2
9	70589G01		Wheel Hub	1
10	19862G1		Wheel Hub Bolt, 1/2" - 20 x 1.218" Lg	4
11	12093G1		Slotted Nut, #1 - 14.....	1
12	00798G8		Cotter Pin, 5/32" x 1 3/4" Lg	1
13	51141G1		Race Bearing.....	2
14	70754G01		Thrust Washer (SS), 1.3"	1
15				
16	70942G03		Spindle and Hub Assembly, 4 Lug (Driver Side) (Includes Items 5 - 13, 17) ...	1
17	70940G02		Spindle Assembly	1
18				
19	00560G3		Flat Washer, 1/2"	2
20	70745G01		King Pin Tube, 4.36" Lg	1
21	00407G6		Hex Head Bolt, 1/2" - 13 x 6" Lg, Grade 5	1
22	14390G6		Lock Nut, 1/2" - 13	1
23	652258		Spring Plate.....	2
24	00734G1		Lock Nut, 7/16" - 14	6
25	00463G11		Hex Head Bolt, 7/16" - 14 x 1 1/2" Lg, Grade 5	6
26	10435G1		Shock Absorber Washer	4
27	10194G1		Rubber Shock Absorber Bushing.....	4
28	00532G6		Hex Nut, 1/4" - 20.....	2
29	76419G01		Shock Absorber.....	2
30	10044G01		Vinyl Cap.....	2

FRONT SUSPENSION AND STEERING



FRONT SUSPENSION AND STEERING

THE USE OF NON U.L. PARTS WILL VOID ANY U.L. LISTING.

When ordering parts, please specify the model and serial number of the product.

* Indicates a component that is not available as an individual part.

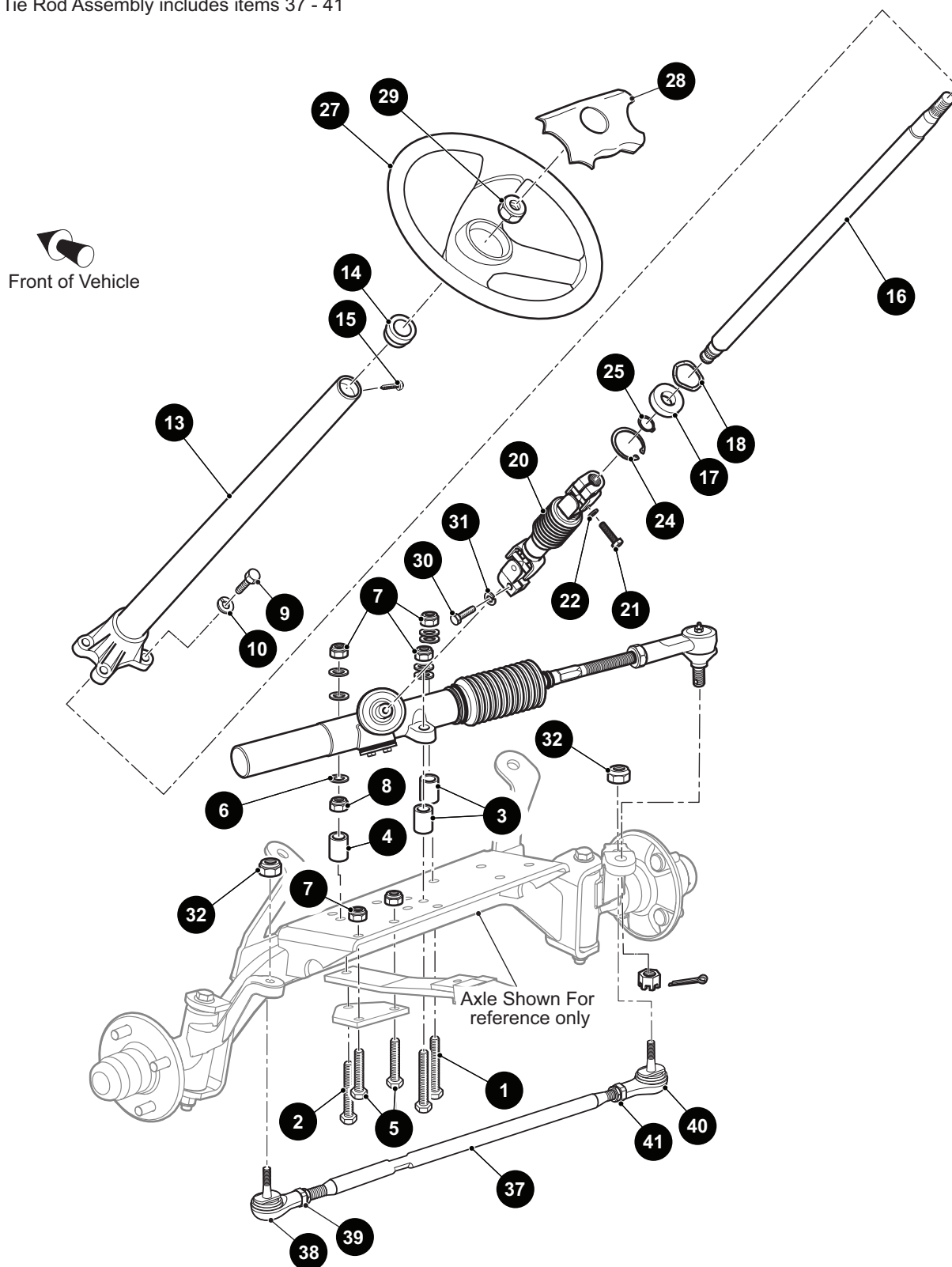
*** Indicates consult Customer Service Department for additional information.

ITEM	PART NO.	1 2 3 4 5	DESCRIPTION	QTY.
1	70964G01		Steering Box Assembly (Includes Items 2 - 23)	1
2	70965G01		Steering Rack Cover and Bearing	1
3				
4	*		Jam Nut, 1/2" - 20	1
5	70750G01		Retaining Ring (External)	1
6	15112G1		Ball Bearing, O.D 1.65" x I.D .78"	1
7	70603G01		Pinion	1
8	70751G01		Retaining Ring (Internal).....	1
9	70638G01		Seal (Pinion)	1
10	70604G01		Steering Rack	1
11	*		Set Screw, #10 - 32 x .25" Lg	1
12	70590G01		Rack Loader	1
13	70666G01		Compression Spring	1
14	70645G01		Gasket (Rack Loader Cover).....	1
15	652259		Cover (Rack Loader)	1
16	71102G01		Hex Washer Head Bolt, 1/4" - 20 x 11/16" Lg, Grade 5	2
17	10389G3		Grease Fitting (Straight)	1
18	74602G01		Rod End (Inner)	1
19	70961G01		Rack Boot	1
20	12416G2		Nylon Clamp, 10" Lg.....	1
21	11391G8		Hose Clamp, 1.81".....	1
22				
23	70695G01		Tie Rod End (Outer) (Includes Items 24 - 25).....	1
24	50641G1		Grommet	1
25	50209G02		Hex Slotted Nut, 7/16" - 20	1
26	10387G2		Cotter Pin, 3/32" x 1"	1

FRONT SUSPENSION AND STEERING

12 Steering Column Kit includes items 13 - 25

36 Tie Rod Assembly includes items 37 - 41



FRONT SUSPENSION AND STEERING

THE USE OF NON U.L. PARTS WILL VOID ANY U.L. LISTING.

When ordering parts, please specify the model and serial number of the product.

* Indicates a component that is not available as an individual part.

*** Indicates consult Customer Service Department for additional information.

ITEM	PART NO.	1 2 3 4 5	DESCRIPTION	QTY.
1	00464G6		Hex Head Bolt, 7/16" - 14 x 2 3/4" Lg, Grade 5	2
2	01068G01		Hex Head Bolt, 7/16" - 14 x 3.5" Lg, Grade 5	1
3	70667G02		Spacer, O.D, 1" X I.D .46" x 1.2" Lg	2
4	70667G04		Spacer, O.D 1" X I.D .46" x .69" Lg	1
5	00463G11		Hex Head Bolt, 7/16" - 14 x 1 1/2" Lg, Grade 5	2
6	00560G2		Flat Washer, 7/16"	7
7	00734G1		Lock Nut, 7/16" - 14	3
8	00532G7		Hex Nut, 1/4" - 20	1
9	01006G01		Hex Washer Head Bolt, 3/8" - 16 x 1 1/4" Lg	4
10	00879G1		Lock Washer, 3/8"	4
11				
12	70758G05		Steering Column Assembly (Includes Items 13 - 25)	1
13	70610G03		Steering Column	1
14	28569G01		Steering Column Bushing	1
15	01022G01		Hex Washer Head Bolt, #6 - 20 x 5/16" Lg	1
16	70607G01		Steering Shaft	1
17	15112G1		Ball Bearing, O.D 1.65" x I.D .78"	1
18	70887G01		Wave Washer	1
19				
20	70580G01		Intermediate Shaft	1
21	01055G01		Hex Head Bolt, M8 - 1.25 x 1.18" Lg, Grade 5	1
22	00565G8		Lock Washer, 5/16"	1
23				
24	70751G01		Retaining Ring (Internal)	1
25	70888G01		Retaining Ring (External)	1
26				
27	602980		Steering Wheel, Premium	1
28	71147G01		Steering Wheel Cover	1
29	14390G2		Lock Nut, 5/8" - 18	1
30	01055G01		Hex Head Bolt, M8 - 1.25 x 1.18" Lg, Grade 5	1
31	00565G8		Lock Washer, 5/16"	1

FRONT SUSPENSION AND STEERING

THE USE OF NON U.L. PARTS WILL VOID ANY U.L. LISTING.

When ordering parts, please specify the model and serial number of the product.

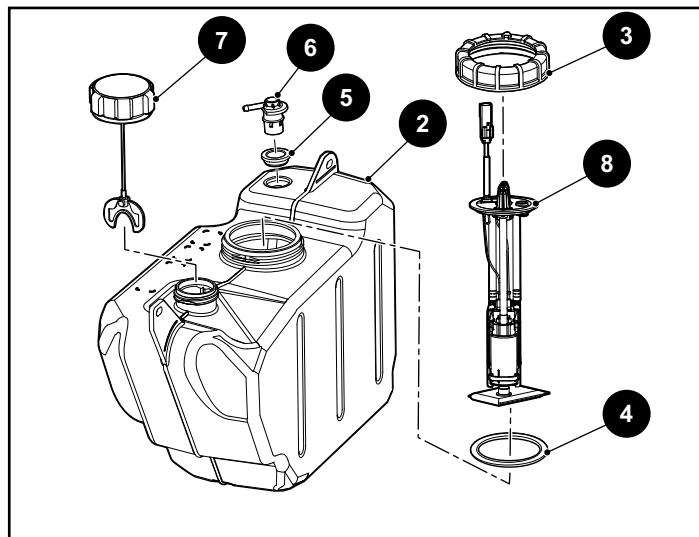
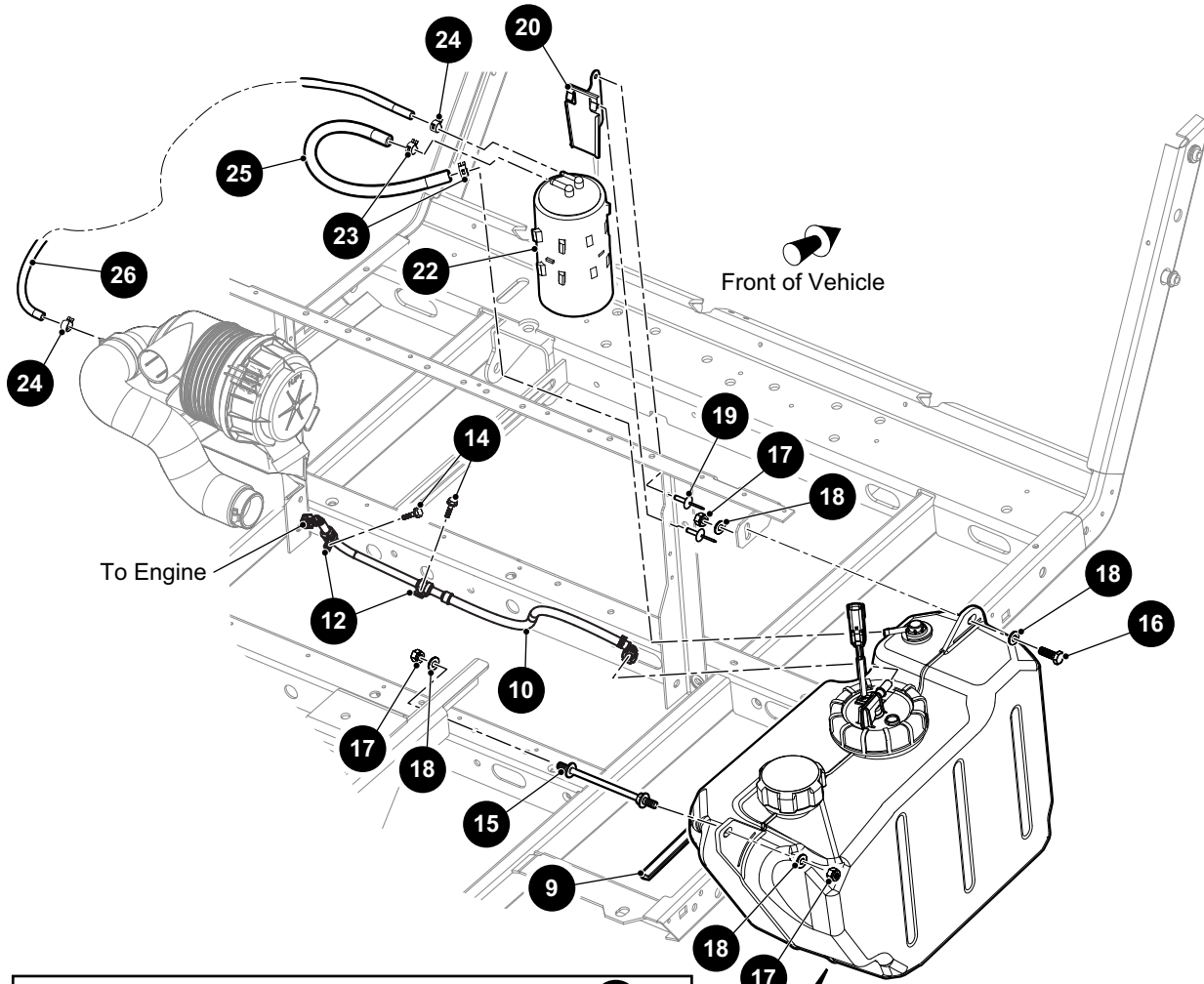
* Indicates a component that is not available as an individual part.

*** Indicates consult Customer Service Department for additional information.

ITEM	PART NO.	1 2 3 4 5	DESCRIPTION	QTY.
32	00734G1		Lock Nut, 7/16" - 14	2
33				
34				
35				
36	74604G01		Tie Rod Assembly 29.44" Lg (Includes Items 37 - 41).....	1
37	74603G01		Threaded Rod (27" Lg)	1
38	70902G01		Tie Rod End (Left Hand Threads)	1
39	01069G01		Jam Nut, M12 x 1.25 - 05 (Left Hand Threads).....	1
40	70902G02		Tie Rod End (Right Hand Threads).....	1
41	01069G02		Jam Nut, M12 x 1.25 - 05 (Right Hand Threads)	1

FUEL SYSTEM

- 1 Fuel Tank Assembly includes items 2 - 8
- 21 Carbon Canister Assembly includes items 22 - 26



FUEL SYSTEM

THE USE OF NON U.L. PARTS WILL VOID ANY U.L. LISTING.

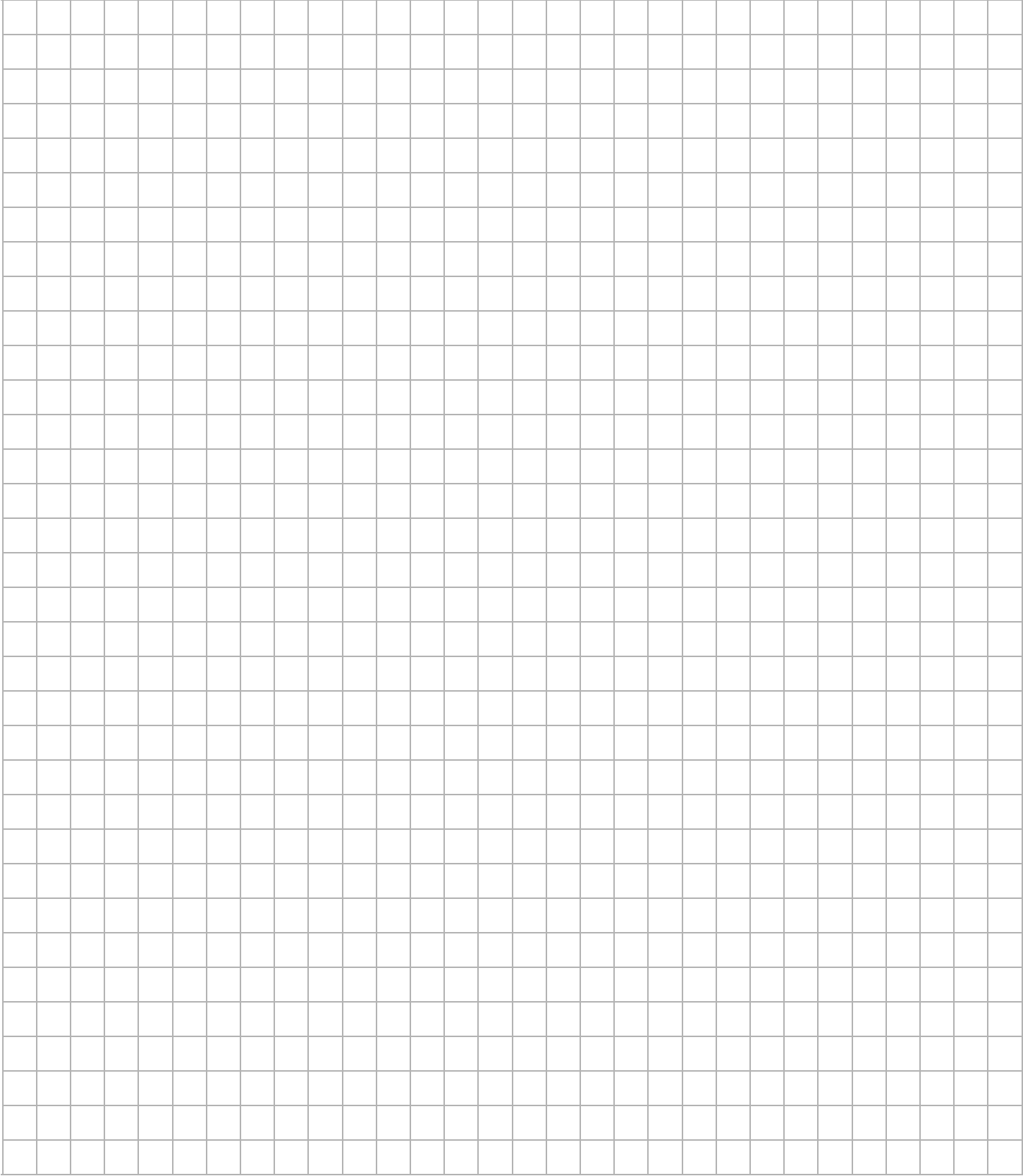
When ordering parts, please specify the model and serial number of the product.

* Indicates a component that is not available as an individual part.

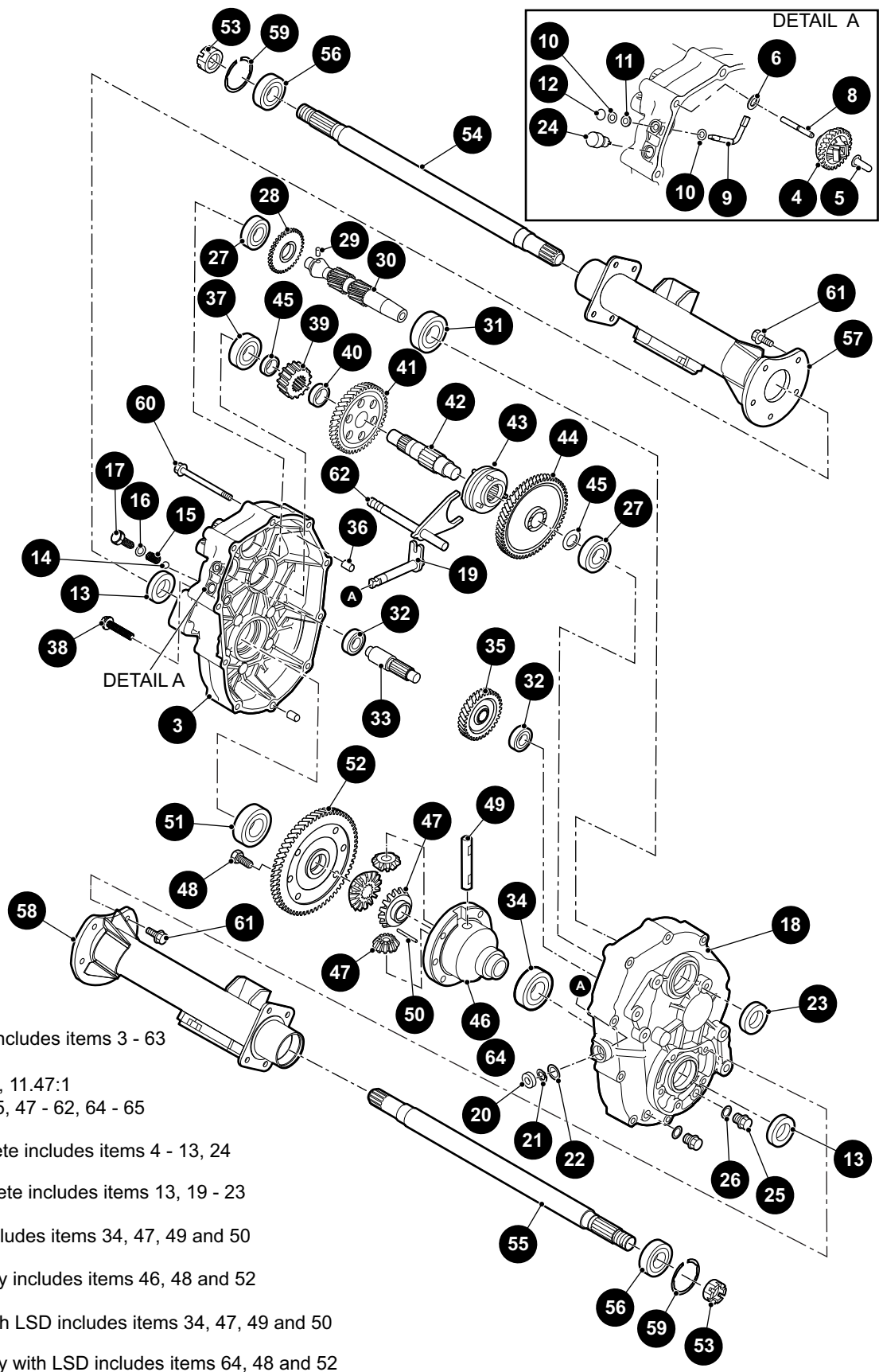
*** Indicates consult Customer Service Department for additional information.

ITEM	PART NO.	1 2 3 4 5	DESCRIPTION	QTY.
1	646825		Fuel Tank Assembly (with Sender Unit) (Includes Items 2 - 8).....	1
2	646306		Fuel Tank	1
3	646837		Fuel Pump Lid	1
4	646838		Seal	1
5	647810		Grommet.....	1
6	647809		Rollover Valve.....	1
7	670898		Fuel Cap	1
8	646353		Fuel Pump with Sender Assembly	1
9	32372G6		Vinyl Trim, 6.25" Lg	1
10	666351		Fuel Hose Assembly	1
11				
12	664747		Tube Clamp, .5"	2
13	602409		Barrel Clip, M6 - 1 (Not Illustrated).....	2
14	606264		Flanged Hex Head Bolt, M6 - 1 x 20mm Lg, Grade 8.8	2
15	70483G01		Spacer, 5/16" - 18	1
16	00438G8		Hex Head Bolt, 5/16" - 18 x 1" Lg, Grade 5	1
17	11098G6		Lock Nut, 5/16" - 18	3
18	00559G8		Flat Washer, 5/16"	4
19	10570G11		Rivet, 3/16" Dia x .70"	2
20	606310		Carbon Canister Mounting Bracket	1
21	662807		Carbon Canister Assembly (Includes Items 22 - 26)	1
22	606071		Carbon Canister	1
23	18292G1		Tube Clamp, 1/2" O.D	2
24	606963		Tube Clamp, 3/16" I.D	2
25	27184G14		Fuel System Tube, 13" Lg	1
26	662608		Hose, 3/16" I.D. x 37" Lg	1

Notes:



REAR AXLE



- 1** Rear Axle, 11.47:1 includes items 3 - 63
- 2** Rear Axle With LSD, 11.47:1 includes items 3 - 45, 47 - 62, 64 - 65
- 3** Axle Case L Complete includes items 4 - 13, 24
- 18** Axle Case R Complete includes items 13, 19 - 23
- 46** Differential Case includes items 34, 47, 49 and 50
- 63** Differential Assembly includes items 46, 48 and 52
- 64** Differential Case with LSD includes items 34, 47, 49 and 50
- 65** Differential Assembly with LSD includes items 64, 48 and 52

THE USE OF NON U.L. PARTS WILL VOID ANY U.L. LISTING.

When ordering parts, please specify the model and serial number of the product.

* Indicates a component that is not available as an individual part.

*** Indicates consult Customer Service Department for additional information.

ITEM	PART NO.	1 2 3 4 5	DESCRIPTION	QTY.
1	670468		Rear Axle, 11.47:1 (Includes Items 3 - 63)	1
2	670470		Rear Axle with LSD, 11.47:1 (Includes Items 3 - 45, 47 - 62, 64 - 65)	1
3	639859		Axle Case L Complete (Includes Items 4 - 13, 24)	1
4	665887		Governor Gear	1
5	639689		Governor Sleeve	1
6	607904		Flat Washer	1
7				
8	639698		Governor Gear Shaft.....	1
9	639707		Governor Shaft.....	1
10	639736		Flat Washer, 6mm	2
11	607911		Oil Seal, 6 x 10 x 2.5mm	1
12	607913		Retaining Ring, E5	1
13	639738		Oil Seal, 24 x 40 x 9mm	2
14	26818G01		Steel Ball	1
15	26819G01		Spring	1
16	26831G01		Gasket, 10	1
17	26820G01		Flanged Hex Head Bolt, M10 - 1.25 x 12mm Lg	1
18	639865		Axle Case R Complete (Includes Items 13, 19 - 23)	1
19	639746		Select Shaft.....	1
20	607915		Oil Seal, 13 x 22 x 5mm	1
21	607916		Snap Ring, 13mm	1
22	607917		Spacer, 13 x 1mm	1
23	640093		Oil Seal, 28 x 47 x 9mm	1
24	607919		Air Breather	1
25	639747		Oil Drain Plug	2
26	639748		Gasket, 14mm	2
27	26785G01		Ball Bearing (6204).....	2
28	665888		Governor Gear,34.....	1
29	607920		Pin, 6 X 12L	1
30	639750		Input Shaft	1
31	607922		Ball Bearing (62/28).....	1

REAR AXLE

THE USE OF NON U.L. PARTS WILL VOID ANY U.L. LISTING.

When ordering parts, please specify the model and serial number of the product.

* Indicates a component that is not available as an individual part.

*** Indicates consult Customer Service Department for additional information.

ITEM	PART NO.	1	2	3	4	5	DESCRIPTION	QTY.
32	639868						Ball Bearing (TMB202).....	2
33	639755						Counter Shaft.....	1
34	640744						Ball Bearing (6006)	1
35	639758						Gear, 34	1
36	639869						Knock Pipe.....	2
37	639760						Ball Bearing (6304)	2
38	639768						Flanged Hex Head Bolt, M8 - 1.25 x 40mm Lg.....	1
39	639769						Gear, 17	1
40	28689G01						Collar, 24 x 7.5mm	1
41	639771						Gear, 52	1
42	670697						Center Shaft.....	1
43	639774						Clutch Pin.....	1
44	670696						Gear, 61	1
45	639797						Spacer, 20 x 2mm	2
46	639872						Differential Case (Includes Items 34, 47, 49 and 50).....	1
47	639800						Differential Pair Gear.....	1
48	26808G01						Hex Head Bolt, M10 - 1.25 x 26mm Lg	6
49	28723G01						Differential Shaft.....	1
50	28697G01						Spring Pin, 4 x 40L.....	1
51	639801						Ball Bearing (6007)	1
52	640739						Gear, 60 Complete (Includes Item 51).....	1
53	607938						Castle Nut, M22 - 1.5	2
54	639876						Axle Shaft L Complete (Includes Item 56).....	1
55	639881						Axle Shaft R Complete (Includes Item 56).....	1
56	639836						Ball Bearing (6205DD).....	2
57	607939						Axle Case L Complete	1
58	607940						Axle Case R Complete.....	1
59	26814G01						Snap Ring, 52mm	2
60	639839						Flanged Hex Head Bolt, M8 - 1.25 x 60mm Lg.....	9
61	639840						Flanged Hex Head Bolt, M10 - 1.25 x 25mm Lg.....	10
62	639844						Shift Shaft Complete	1

THE USE OF NON U.L. PARTS WILL VOID ANY U.L. LISTING.

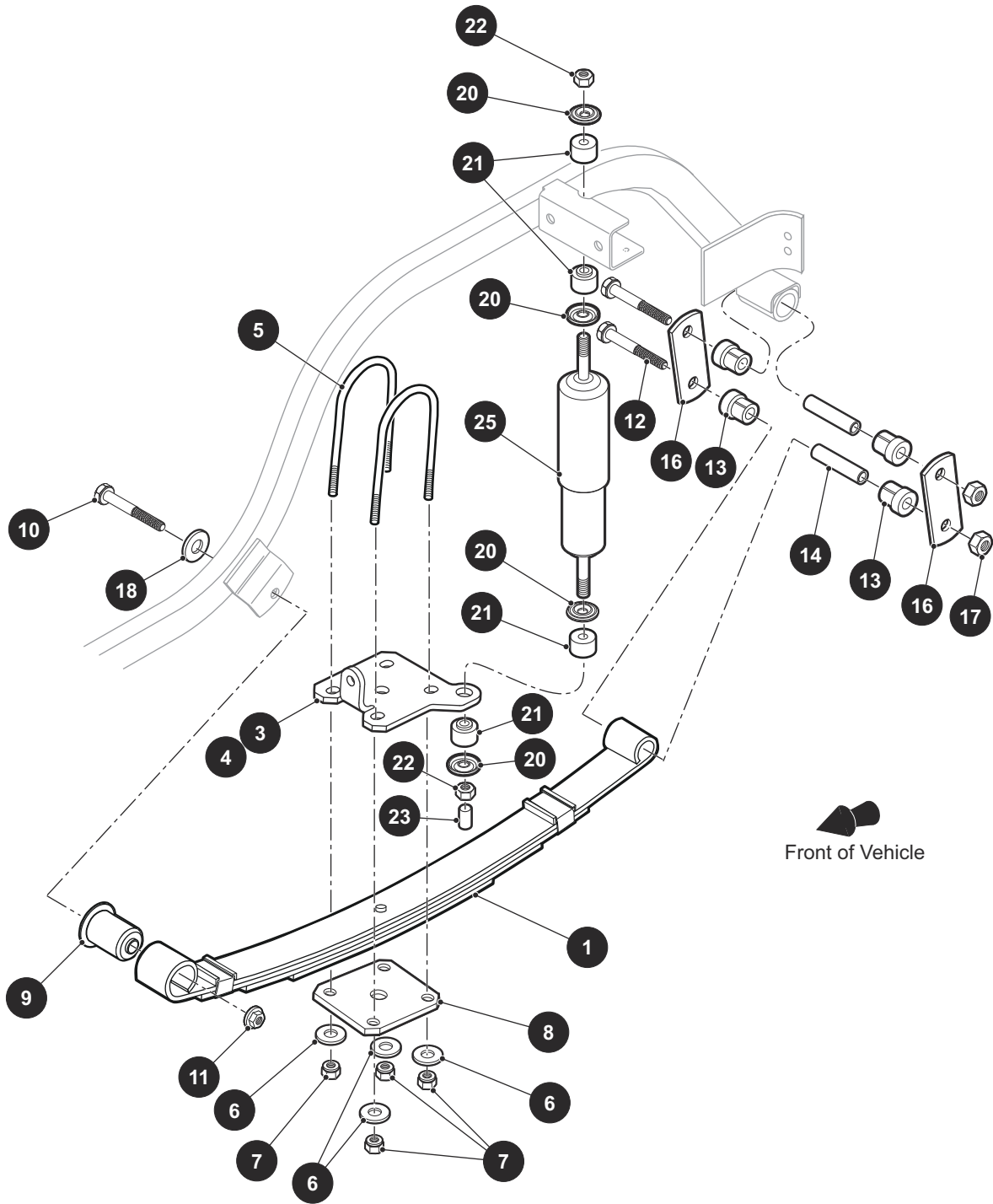
When ordering parts, please specify the model and serial number of the product.

* Indicates a component that is not available as an individual part.

*** Indicates consult Customer Service Department for additional information.

ITEM	PART NO.	1 2 3 4 5 DESCRIPTION	QTY.
63	639847	Differential Assembly (Includes Items 46, 48 and 52).....	1
64	640098	Differential Case with LSD (Includes Items 34, 47, 49 and 50).....	1
65	639847	Differential Assembly with LSD (Includes Items 64, 48 and 52)	1

REAR SUSPENSION



REAR SUSPENSION

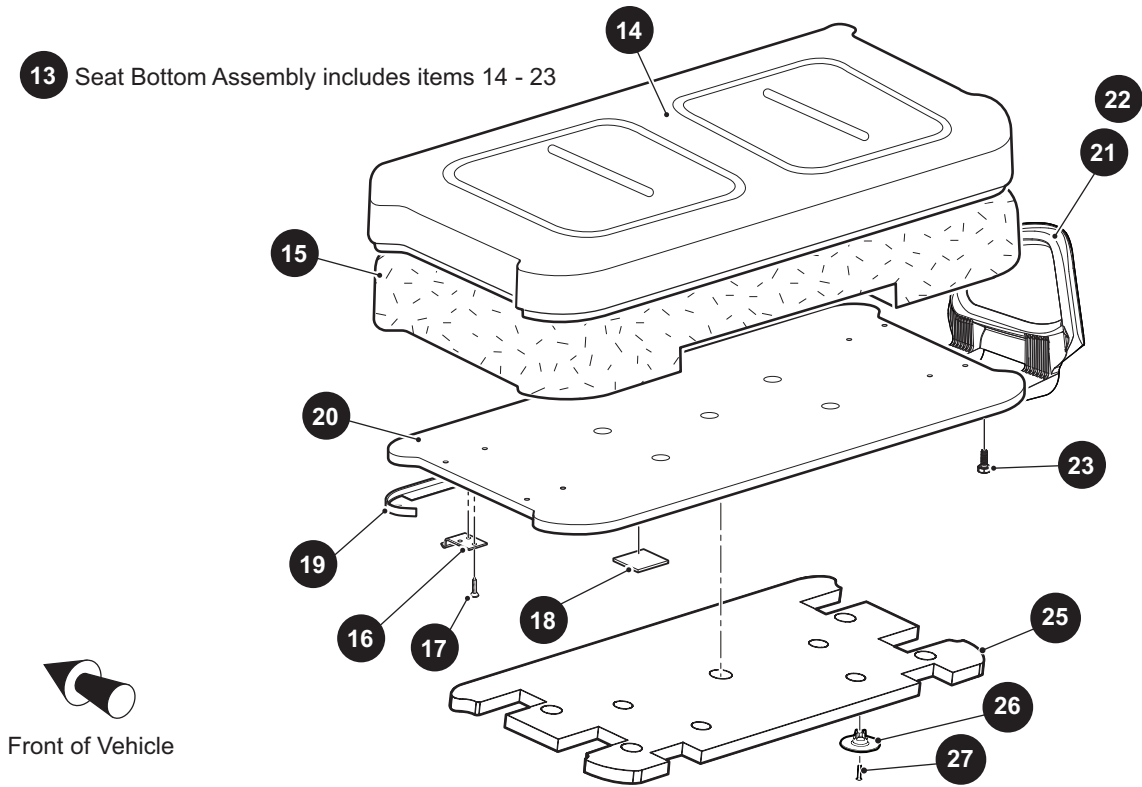
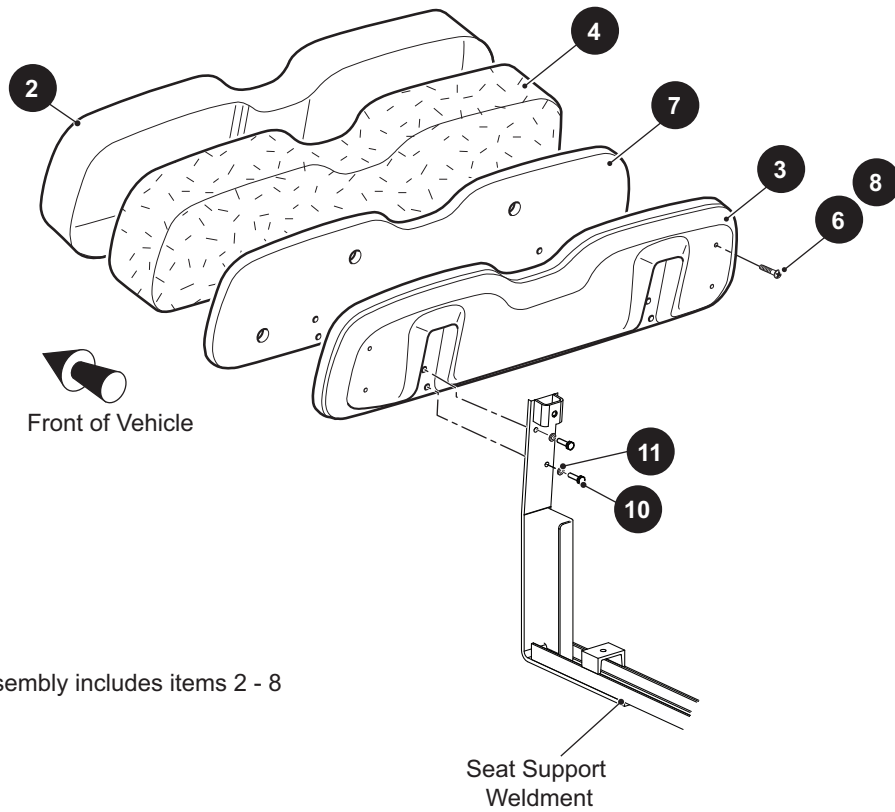
THE USE OF NON U.L. PARTS WILL VOID ANY U.L. LISTING.

When ordering parts, please specify the model and serial number of the product.

* Indicates a component that is not available as an individual part.

*** Indicates consult Customer Service Department for additional information.

ITEM	PART NO.	1 2 3 4 5	DESCRIPTION	QTY.
1	605722		Leaf Spring.....	1
2				
3	605938		Axle Bracket (Driver Side).....	1
4	605958		Axle Bracket (Passenger Side).....	1
5	32195G3		U Bolt, 3/8" - 16 x 2" x 2 1/8" Lg.....	2
6	00643G1		Flat Washer, 3/8".....	4
7	11098G5		Lock Nut, 3/8" - 16	4
8	652246		Rear Suspension Plate	1
9	605445		Front Spring Bushing	1
10	00665G9		Shoulder Bolt, 3/8" - 16 x 3 1/4" Lg.....	1
11	12262G1		Flanged Lock Nut, 3/8" - 16	1
12	00665G9		Shoulder Bolt, 3/8" - 16 x 3 1/4" Lg.....	2
13	624030		Flanged Bushing	4
14	70289G02		Split Steel Spacer.....	2
15				
16	604961		Shackle Plate	2
17	11098G5		Lock Nut, 3/8" - 16	2
18	00643G1		Flat Washer, 3/8".....	1
19				
20	10435G1		Shock Absorber Washer, .406" I.D. x 1.25" O.D.	4
21	10194G1		Rubber Bushing	4
22	00532G6		Hex Nut, 3/8" - 24.....	2
23	10044G01		Vinyl Cap.....	1
24				
25	642085		Shock Absorber.....	2



THE USE OF NON U.L. PARTS WILL VOID ANY U.L. LISTING.

When ordering parts, please specify the model and serial number of the product.

* Indicates a component that is not available as an individual part.

*** Indicates consult Customer Service Department for additional information.

ITEM	PART NO.	1 2 3 4 5	DESCRIPTION	QTY.
1	***		Seat Back Assembly (Includes Items 2 - 8)..... 71751G02 Gray 71751G03 Oyster 71751G04 Tan 71751G06 Brown 71751G07 Black 604908 White/Blue 604907 White/Red 615838 White/Black 620794 White/Yellow 620796 Gray/Black 615837 Oyster/Garnet 606828 Red/Black	1
2	***		Vinyl Seat Back Cover..... 71753G03 Oyster 71753G04 Tan 71753G07 Black 604916G0103 White/Red 604916G0102 White/Blue 604916G0104 White/Black 604916G0108 White/Yellow 604916G0704 Gray/Black 604916G0304 Red/Black 604916G0506 Oyster/Garnet 71753G02 Gray 71753G06 Brown	1
3	71752G01		Seat Back Rear Cover.....	1
4	71754G01		Foam Padding.....	1
5				
6	648271		Pan Head Torx Screw (SS), #8 - 15 x 1" Lg.....	4
7	645021		Seat Back Base.....	1
8	01107G01		Torx Screw, #8 x 5/8" Lg.....	4
9				
10	00661G8		Hex Head Bolt, 1/4" - 20 x 1/2" Lg.....	4
11	00664G7		Lock Washer, .255" x .263".....	4
12				
13	***		Seat Bottom Assembly (Includes Items 14 - 23)..... 629269G0103 Tan 629269G0104 Gray 629269G0101 Oyster 629269G0106 Black 629269G0109 White/Blue	1

SEATING

THE USE OF NON U.L. PARTS WILL VOID ANY U.L. LISTING.

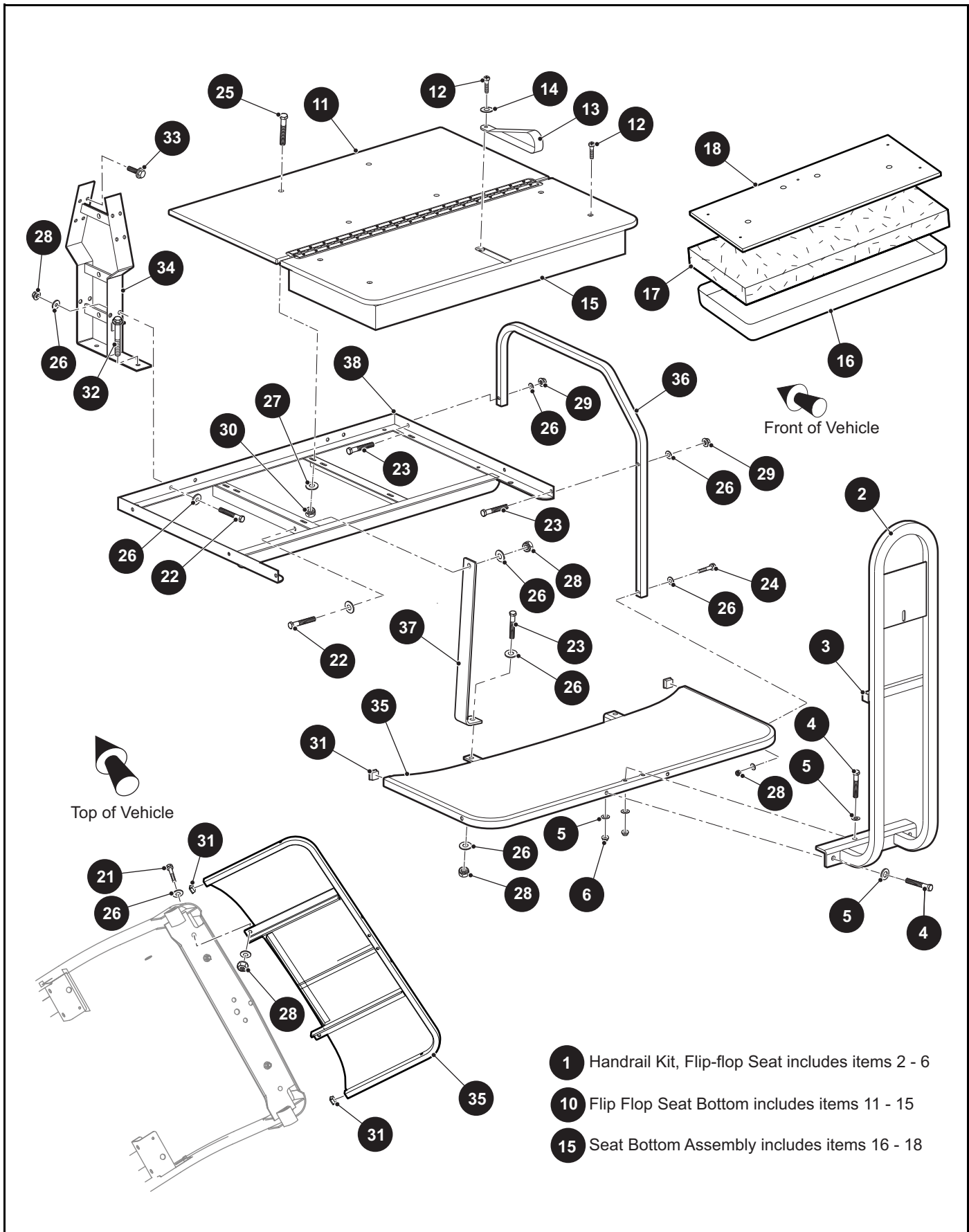
When ordering parts, please specify the model and serial number of the product

* Indicates a component that is not available as an individual part.

*** Indicates consult Customer Service Department for additional information.

ITEM	PART NO.	1	2	3	4	5	DESCRIPTION	QTY.
		629269G0107					Brown	
		629269G0111					White/Red	
		629269G0112					White/Black	
		629269G0113					White/Yellow	
		629269G0115					Oyster/Garnet	
		629269G0114					Gray/Black	
14	***						Vinyl Seat Bottom Cover	1
		71602G02					Gray	
		71602G03					Oyster	
		71602G04					Tan	
		71602G06					Black	
		71602G07					Brown	
		604912G0102					White/Blue	
		604912G0104					White/Black	
		604912G0103					White/Red	
		604912G0108					White/Yellow	
		604912G0506					Oyster/Garnet	
		604912G0704					Gray/Black	
15	71603G02						Foam Padding (Seat Bottom).....	1
16	71610G01						Seat Hinge	2
17	00720G08						Flat Head Phillips Screw, #12 -14 x 1" Lg	6
18	17074G1						Rubber Pad	2
19	71012G01						Vinyl Trim (Seat Bottom)	1
20	645492						Seat Bottom	1
21	617644						Hip Restraint (Driver Side)	1
22	617645						Hip Restraint (Passenger Side).....	1
23	615417						Button Head Torx Bolt, M10 - 1.5 x 25mm Lg	8
24								
25	657949						Sound Treatment (Seat Bottom).....	1
26	663426						Sound Treatment Retainer	4
27	00720G08						Flat Head Phillips Tapping Screw, #12 - 14 x 1" Lg	4

SEATING



- 1** Handrail Kit, Flip-flop Seat includes items 2 - 6
- 10** Flip Flop Seat Bottom includes items 11 - 15
- 15** Seat Bottom Assembly includes items 16 - 18

THE USE OF NON U.L. PARTS WILL VOID ANY U.L. LISTING.

When ordering parts, please specify the model and serial number of the product.

* Indicates a component that is not available as an individual part.

*** Indicates consult Customer Service Department for additional information.

ITEM	PART NO.	1 2 3 4 5	DESCRIPTION	QTY.
1	634184		Handrail Kit, Flip-Flop Seat (Includes Items 2 - 6)	1
2	634185		Footrest Handle Weldment	1
3	19859G1		Square Cap Tube, 3/4"	2
4	00427G8		Hex Head Bolt, 3/8" - 16 x 2" Lg, Grade 5	4
5	614221		Flat Washer, 3/8"	8
6	11098G5		Lock Nut, 3/8" - 16	4
7				
8				
9				
10	***		Flip Flop Seat Bottom (Includes Items 11 - 15)	1
		628058G01	Oyster	
		628058G03	Tan	
		628058G04	Gray	
		628058G06	Black	
		628058G07	Brown	
		628058G09	White/Blue	
		628058G10	Red/Black	
		628058G11	White/Red	
		628058G12	White/Black	
		628058G13	White/Yellow	
		628058G14	Gray/Black	
		628058G15	Oyster/Garnet	
11	634190		Deck Board Assembly	1
12	16705G1		Truss Head Phillips Screw (SS), 1/4" - 20 x 1" Lg	5
13	617402		Seat Strap	1
14	00559G7		Flat Washer, 1/4"	1
15	***		Seat Bottom Assembly (Includes Items 16 - 18)	1
		632837G01	Oyster	
		632837G03	Tan	
		632837G04	Gray	
		632837G06	Black	
		632837G07	Brown	
		632837G09	White/Blue	
		632837G10	Red/Black	
		632837G11	White/Red	
		632837G12	White/Black	
		632837G13	White/Yellow	
		632837G14	Gray/Black	
		632837G15	Oyster/Garnet	

SEATING

THE USE OF NON U.L. PARTS WILL VOID ANY U.L. LISTING.

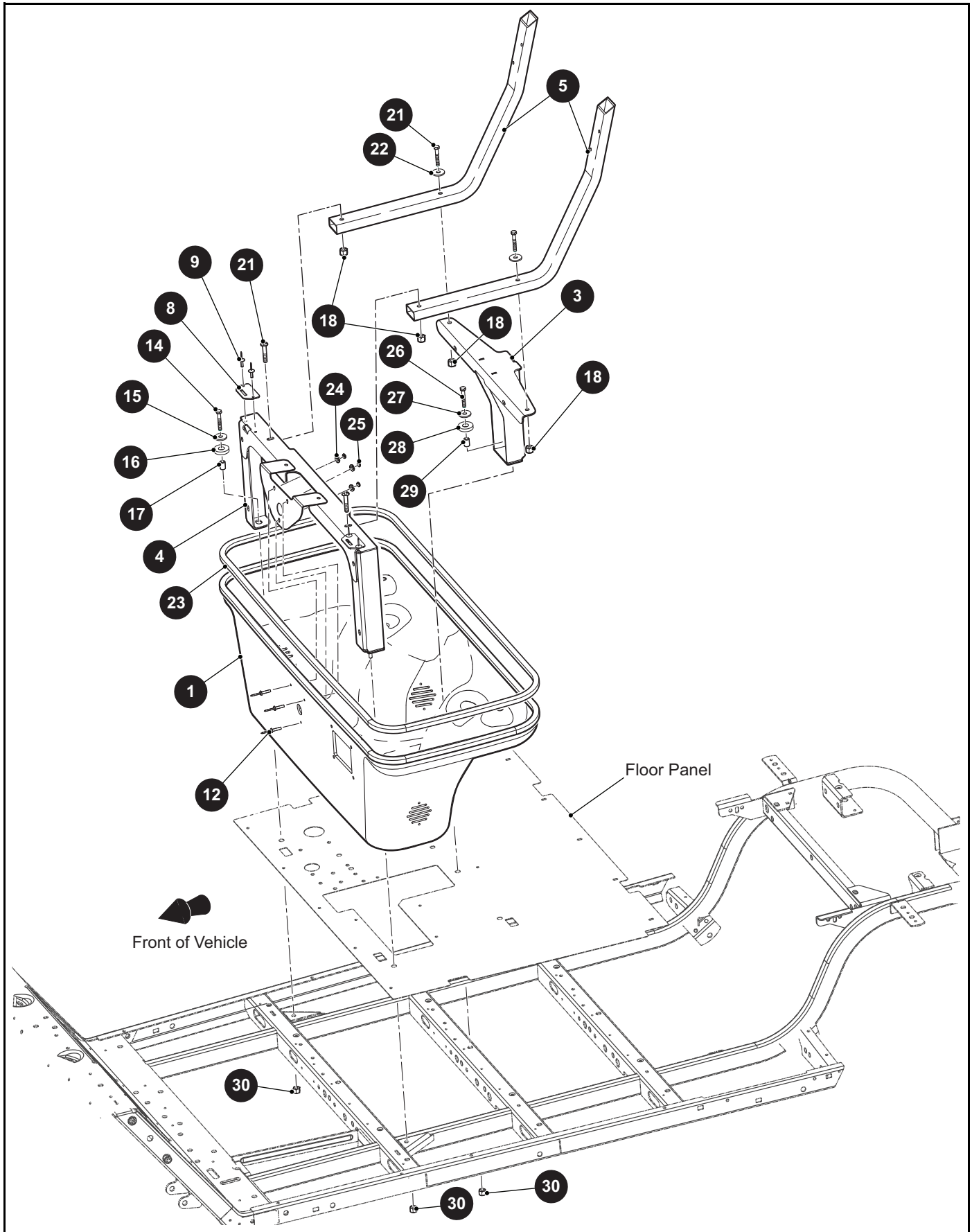
When ordering parts, please specify the model and serial number of the product

* Indicates a component that is not available as an individual part.

*** Indicates consult Customer Service Department for additional information.

ITEM	PART NO.	1	2	3	4	5	DESCRIPTION	QTY.
16	***						Vinyl Seat Bottom	1
							615646 Oyster	
							615647 Tan	
							617892 Gray	
							615648 Black	
							617893 Brown	
							611125 Whit/Blue	
							611135 Red/Black	
							611126 White/Red	
							611130 White/Black	
							611127 White/Yellow	
							611137 Gray/Black	
							611136 Oyster/Ruby	
17	617401						Foam Padding (Seat Bottom)	1
18	645820						Seat Bottom	1
19								
20								
21	00427G6						Hex Head Bolt, 3/8" - 16 x 1.75" Lg, Grade 5	1
22	00427G2						Hex Head Bolt, 3/8" - 16 x 1.25" Lg, Grade 5	2
23	00427G4						Hex Head Bolt, 3/8" - 16 x 1.5" Lg, Grade 5	3
24	00428G8						Hex Head Bolt, 3/8" - 16 x 3.25" Lg, Grade 5	1
25	16705G9						Truss Head Phillips Screw (SS), 1/4" - 20 x 1.25" Lg	4
26	614221						Flat Washer, 3/8"	12
27	00559G7						Flat Washer, 1/4"	4
28	11098G5						Lock Nut, 3/8" - 16	5
29	11027G5						Flanged Lock Nut, 3/8" - 16	2
30	14390G4						Lock Nut, 1/4" - 20	4
31	19853G1						Square Cap Tube, 1" Sq	2
32	01006G01						Hex Head Bolt, 3/8" - 16 x 1.25" Lg	2
33	71204G01						Hex Washer Head Screw with Patch Lock, 1/4" - 20 x 7/8" Lg	8
34	634178						Seat Back Support	2
35	634179						Footrest Weldment	1
36	634175						Armrest (Rear Seat)	2
37	634174						Seat Frame Support	2
38	634180						Seat Frame Weldment	1

SEATING



THE USE OF NON U.L. PARTS WILL VOID ANY U.L. LISTING.

When ordering parts, please specify the model and serial number of the product.

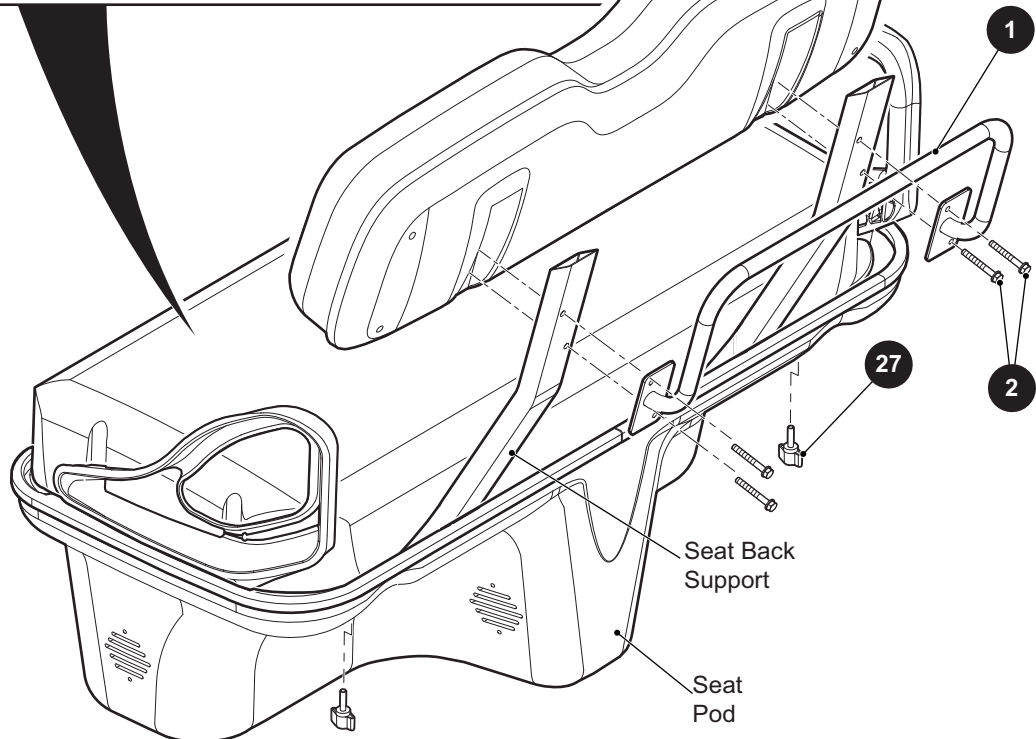
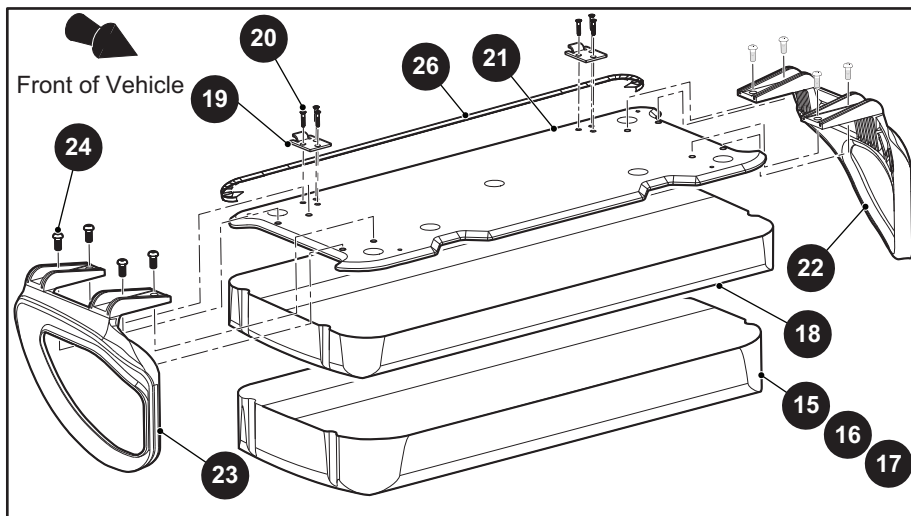
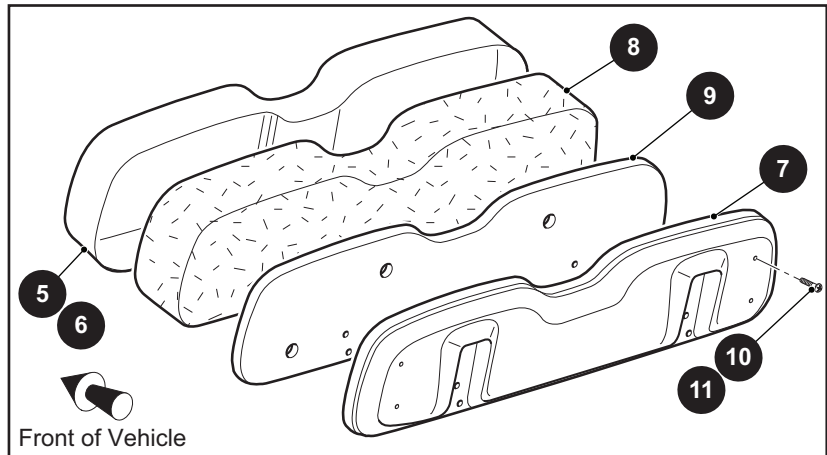
* Indicates a component that is not available as an individual part.

*** Indicates consult Customer Service Department for additional information.

ITEM	PART NO.	1 2 3 4 5	DESCRIPTION	QTY.
1	648313G**		Seat Pod (See HOW TO USE Section for COLOR CODES).....	1
2				
3	657681		Rear Seat Support Weldment	1
4	654767		Seat Support Weldment	1
5	648523		Seat Back Support Tube	2
6				
7				
8	71609G01		Hinge Plate.....	2
9	10570G11		Rivet (SS), 3/16" x .70" Lg	4
10				
11				
12	71055G01		Rivet (Aluminum), 3/16" x 1" Lg	3
13				
14	00439G8		Hex Head Bolt (SS), 5/16" - 18 x 2" Lg, Grade 5	2
15	00675G1		Flat Washer (SS), .398" I.D. x 1.25" O.D. x .115" Lg	2
16	71883G01		Flat Washer (Rubber), .625" I.D. x 1.50" O.D. x .312" Lg	2
17	23726G9		Spacer, .312" I.D. x .562" O.D. x .750" Lg	2
18	11098G6		Lock Nut, 5/16" - 18	4
19				
20				
21	00439G6		Hex Head Bolt, 5/16" - 18 x 1.75" Lg, Grade 5	4
22	00560G1		Flat Washer, 3/8	4
23	32805G6		Trim, 118" Lg	1
24	00660G5		Flat Washer, #10	3
25	01110G01		Flat Washer, 1/4"	3
26	00439G8		Hex Head Bolt (SS), 5/16" - 18 x 2" Lg, Grade 5	1
27	00675G1		Flat Washer (SS), .398" I.D. x 1.25" O.D. x .115" Lg	1
28	71883G01		Flat Washer (Rubber), .625" I.D. x 1.50" O.D. x .312" Lg	1
29	23726G9		Spacer, .312" I.D. x .562" O.D. x .750" Lg	1
30	11098G6		Lock Nut, 5/16" - 18	3

SEATING

- 3** Seat Back Assembly includes item 5, 7 - 10
- 4** Seat Back Assembly includes items 6 - 9, 11
- 12** Seat Bottom Assembly includes items 15, 18 - 26
- 13** Seat Bottom Assembly includes items 16, 18 - 26
- 14** Seat Bottom Assembly includes items 17 - 26



THE USE OF NON U.L. PARTS WILL VOID ANY U.L. LISTING.

When ordering parts, please specify the model and serial number of the product.

* Indicates a component that is not available as an individual part.

*** Indicates consult Customer Service Department for additional information.

ITEM	PART NO.	1 2 3 4 5	DESCRIPTION	QTY.
1	71632G01		Hand Grip Weldment.....	1
2	71204G02		Hex Washer Head Bolt with Patch Lock, 1/4" - 20 x 2" Lg.....	4
3	***		Seat Back Assembly (Includes Item 5, 7 - 10)	2
		606828	Red/Black	
		604908	White/Blue	
		604907	White/Red	
		615838	White/Black	
		620794	White/Yellow	
		620796	Gray/Black	
		615837	Oyster/Garnet	
4	***		Seat Back Assembly (Includes Item 6 - 9, 11).....	2
		71751G02	Gray	
		71751G03	Oyster	
		71751G04	Tan	
		71751G06	Brown	
		71751G07	Black	
5	***		Vinyl Seat Back Cover	1
		604916G0304	Red/Black	
		604916G0102	White/Blue	
		604916G0103	White/Red	
		604916G0104	White/Black	
		604916G0108	White/Yellow	
		604916G0704	Gray/Black	
		604916G0506	Oyster/Garnet	
6	***		Vinyl Seat Back Cover	1
		71753G02	Gray	
		71753G03	Oyster	
		71753G04	Tan	
		71753G06	Brown	
		71753G07	Black	
7	71752G01		Rear Seat Back Cover	1
8	71754G01		Seat Back Padding	1
9	645021		Seat Back Base	1
10	648271		Pan Head Torx Screw (SS), #8 - 15 x 1" Lg	4
11	01107G01		Pan Head Torx Screw (SS), #8 x .63" Lg.....	4
12	***		Seat Bottom Assembly (Includes Item 15, 18 - 26).....	1
		629269G1701	Oyster	
		629269G1703	Tan	
		629269G1704	Gray	
		629269G1706	Black	
		629269G1707	Brown	

SEATING

THE USE OF NON U.L. PARTS WILL VOID ANY U.L. LISTING.

When ordering parts, please specify the model and serial number of the product

* Indicates a component that is not available as an individual part.

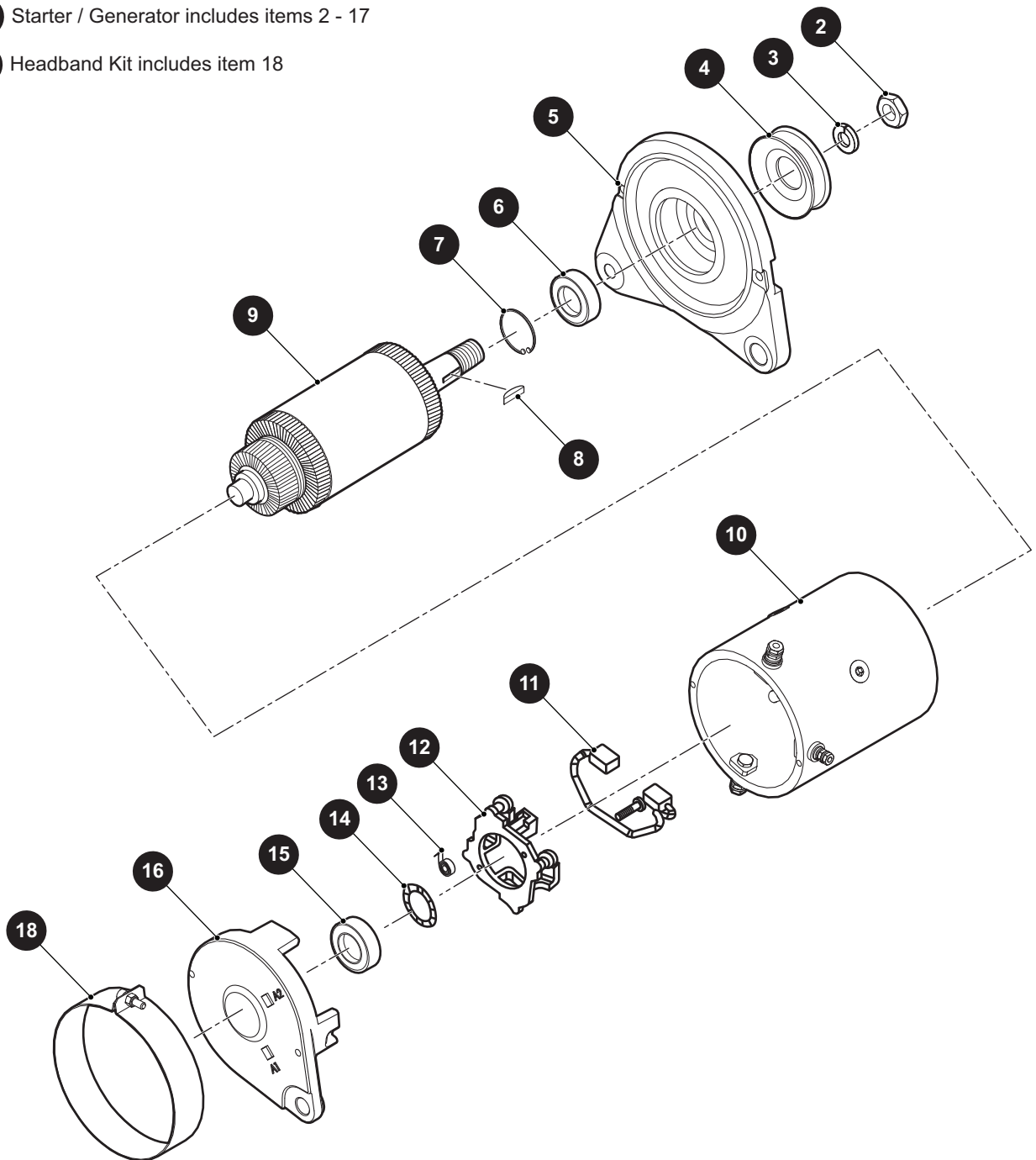
*** Indicates consult Customer Service Department for additional information.

ITEM	PART NO.	1	2	3	4	5	DESCRIPTION	QTY.
13	***						Seat Bottom Assembly (Includes Item 16, 18 - 26)	1
							629269G1709 White/Blue	
							629269G1710 Red/Black	
							629269G1711 White/Red	
							629269G1712 White/Black	
							629269G1713 White/Yellow	
							629269G1714 Gray/Black	
							629269G1715 Oyster/Garnet	
14	***						Seat Bottom Assembly (Includes Items 17 - 26).....	1
							629269G0708 Special	
15	***						Vinyl Seat Cover	1
							71624G03 Oyster	
							71624G04 Tan	
							71624G02 Gray	
							71624G07 Black	
							71624G06 Brown	
16	***						Vinyl Seat Cover	1
							604912G0102 White/Blue	
							604912G0103 White/Red	
							604916G0104 White/Black	
							604916G0108 White/Yellow	
							604916G0704 Gray/Black	
							604916G0506 Oyster/Garnet	
17	***						Vinyl Seat Bottom Cover	1
							71650G05 Special	
18	71625G01						Seat Bottom Padding	1
19	71610G01						Seat Hinge	2
20	00720G08						Flat Head Phillips Screw, #12 -14 x 1" Lg	6
21	649851						Seat Bottom Base	1
22	617645						Hip Restraint (Driver Side)	1
23	617644						Hip Restraint (Passenger Side).....	1
24	615417						Button Head Torx Bolt, M10 - 1.5 x 25mm Lg	8
25	645493						Seat Bottom	1
26	71012G01						Vinyl Trim (Seat Bottom)	1
27	70864G01						T-knob Stud, 1/4" - 20 x 1" Lg.....	2

STARTER GENERATOR

1 Starter / Generator includes items 2 - 17

17 Headband Kit includes item 18

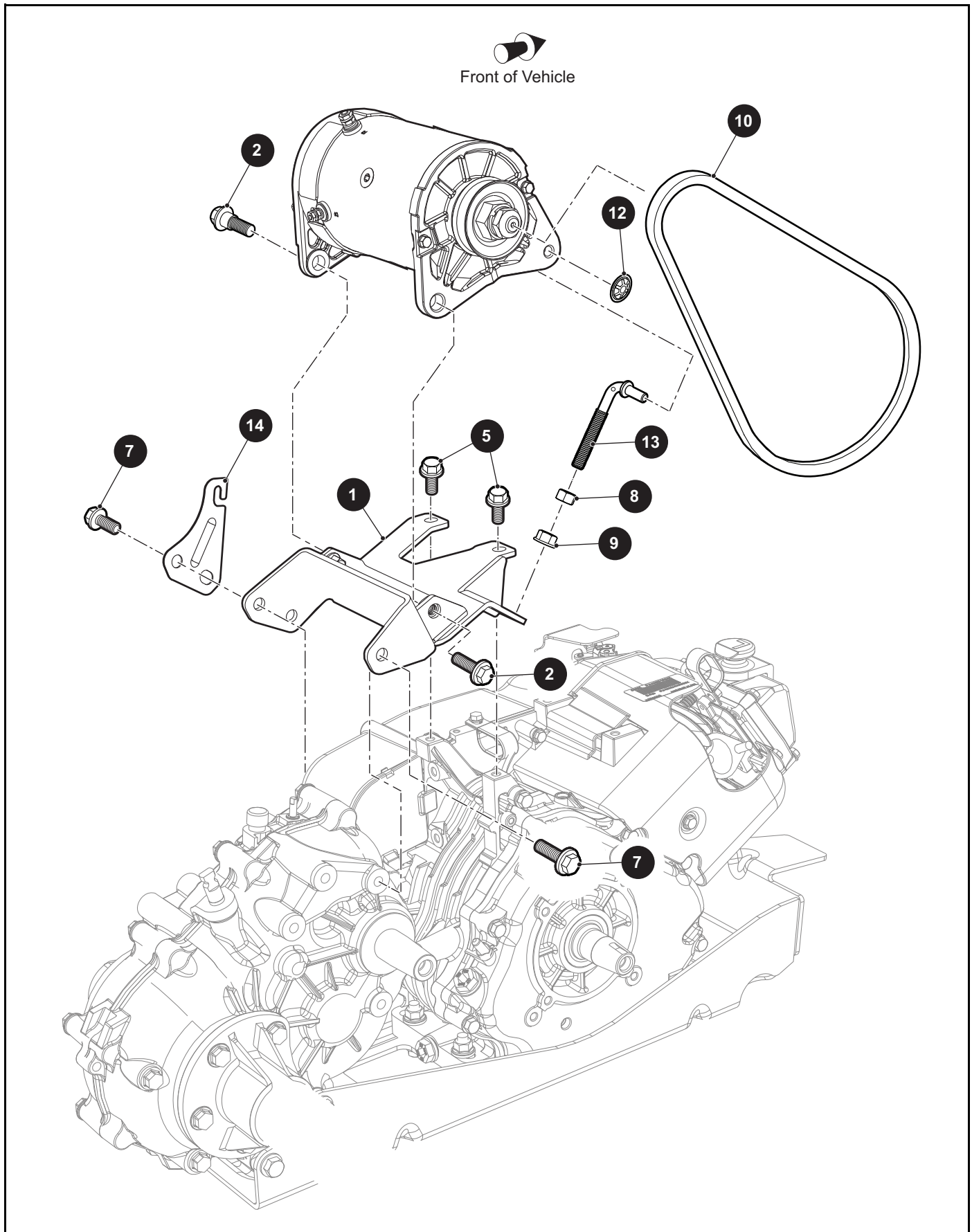


STARTER GENERATOR

THE USE OF NON U.L. PARTS WILL VOID ANY U.L. LISTING.
 When ordering parts, please specify the model and serial number of the product.
 * Indicates a component that is not available as an individual part.
 *** Indicates consult Customer Service Department for additional information.

ITEM	PART NO.	1 2 3 4 5	DESCRIPTION	QTY.
1	660379		Starter/Generator (Includes Items 2 - 17)	1
2	612029		Hex Nut.....	1
3	612030		Lock Washer.....	1
4	625716		Pulley, 2.5" O.D.	1
5	654715		Drive End Head	1
6	612033		Bearing	1
7	612034		Retaining Ring	1
8	612035		Woodruff Key	1
9	612036		Armature Assembly	1
10	654716		Frame and Field Assembly	1
11	612038		Brush Lead and Terminal Package.....	1
12	654717		Brush Box Assembly.....	1
13	656659		Brush Spring	4
14	612043		Wavy Washer	1
15	612044		Bearing	1
16	612045		Commutator End Head.....	1
17	658172		Headband Kit (Includes Item 18).....	1
18	654718		Head Band	1

STARTER GENERATOR



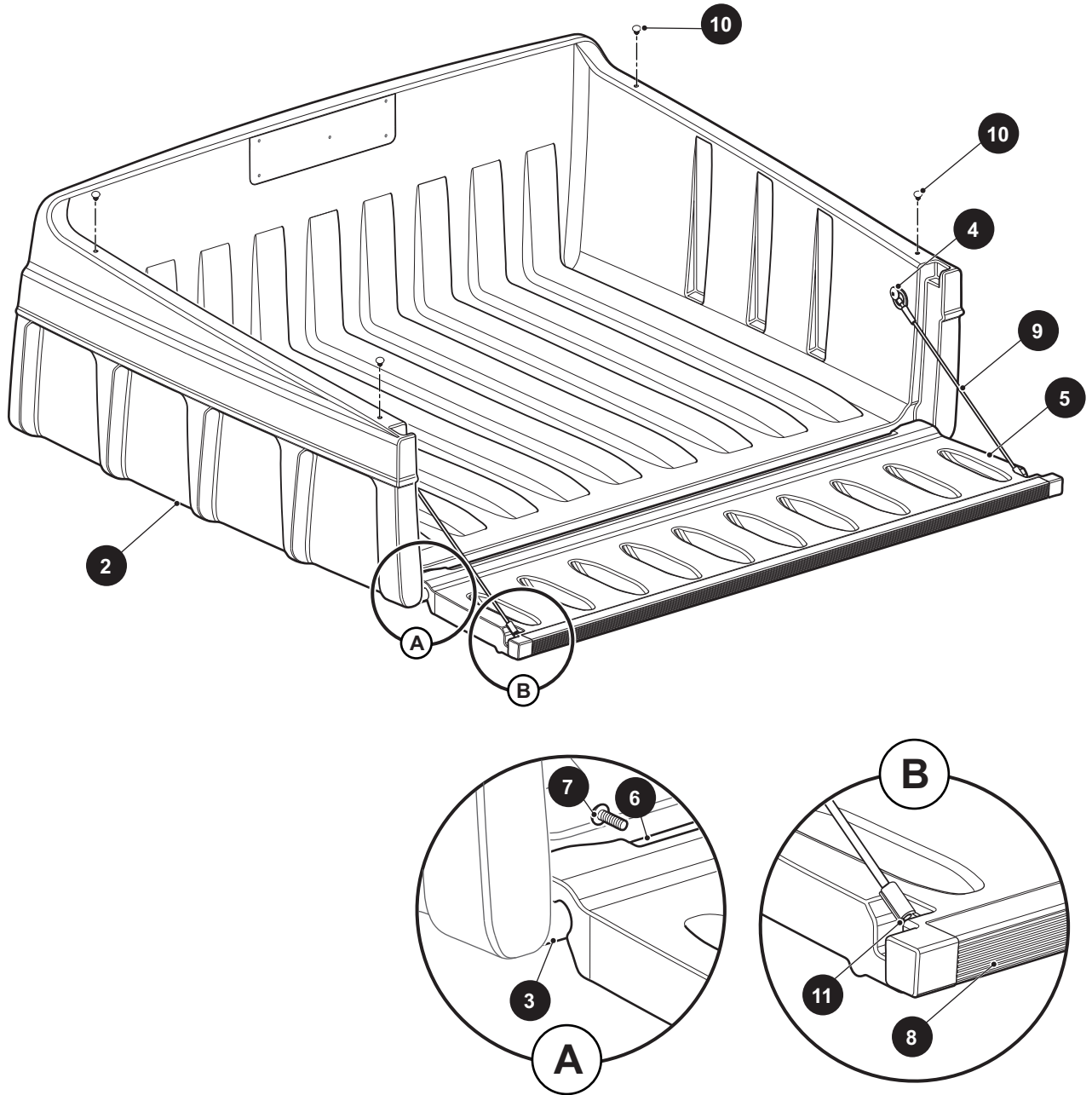
STARTER GENERATOR

THE USE OF NON U.L. PARTS WILL VOID ANY U.L. LISTING.
 When ordering parts, please specify the model and serial number of the product.
 * Indicates a component that is not available as an individual part.
 *** Indicates consult Customer Service Department for additional information.

ITEM	PART NO.	1 2 3 4 5	DESCRIPTION	QTY.
1	631972		Starter/Generator Support Bracket	1
2	606235		Flanged Hex Head Bolt, M10 - 1.25 x 20mm Lg.....	2
3				
4				
5	606261		Flanged Hex Head Bolt, M8 - 1.25 x 20mm Lg, Grade 8.8.....	2
6				
7	606256		Flanged Hex Head Bolt, M10 - 1.25 x 25mm Lg, Grade 8.8.....	3
8	606255		Hex Jam Nut, M10 - 1.25	1
9	606274		Flanged Hex Nut, M10 - 1.25	1
10	630587		Starter/Generator Belt	1
11				
12	12064G6		Push Nut, 5/16"	1
13	629763		Tensioner Bolt	1
14	660001		Accelerator Cable Guide Bracket.....	1

TRUCK BED

1 Bed Assembly includes items 2 - 11



THE USE OF NON U.L. PARTS WILL VOID ANY U.L. LISTING.

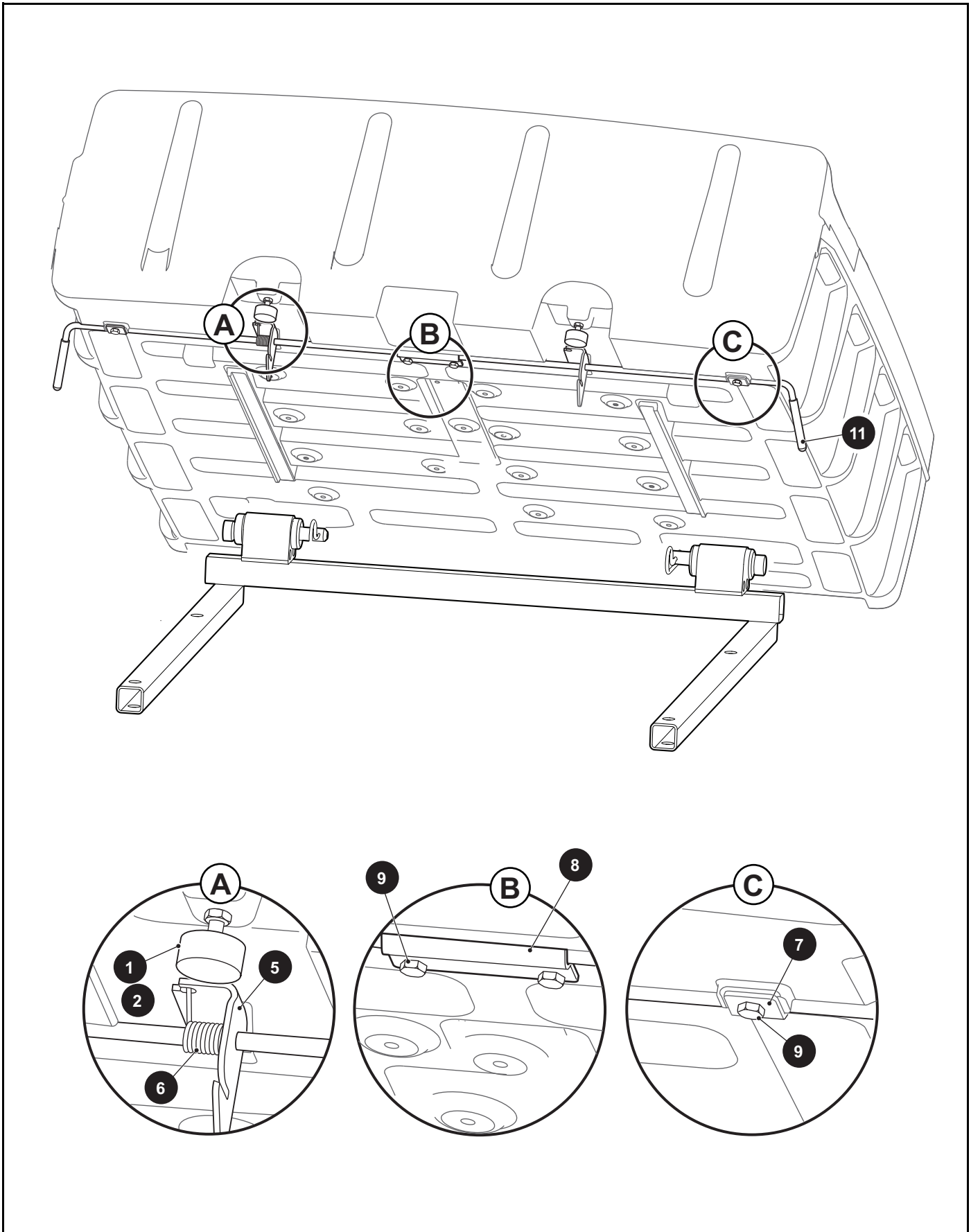
When ordering parts, please specify the model and serial number of the product.

* Indicates a component that is not available as an individual part.

*** Indicates consult Customer Service Department for additional information.

ITEM	PART NO.	1 2 3 4 5	DESCRIPTION	QTY.
1	72647G01		Bed Assembly (Includes Items 2 -11).....	1
2	72648G01		Plastic Bed, 36"	1
3	73454G01		Pivot Shaft	2
4	73460G01		Shoulder Bolt, .350" Dia x 1/4" - 20 x 3/4" Lg.....	2
5	72649G01		Tailgate	1
6	73450G01		Bowed Angle.....	1
7	16705G2		Pan Head Phillips Screw (SS), 1/4" - 20 x 5/8" Lg	4
8	73449G01		Tailgate Cap.....	1
9	73455G02		Tailgate Cable	1
10	16816G5		Ratchet Rivet, .187 x .550	4
11	00415G2		Hex Head Bolt, 1/4" - 20 x 1 1/4" Lg, Grade 5.....	2

TRUCK BED



THE USE OF NON U.L. PARTS WILL VOID ANY U.L. LISTING.

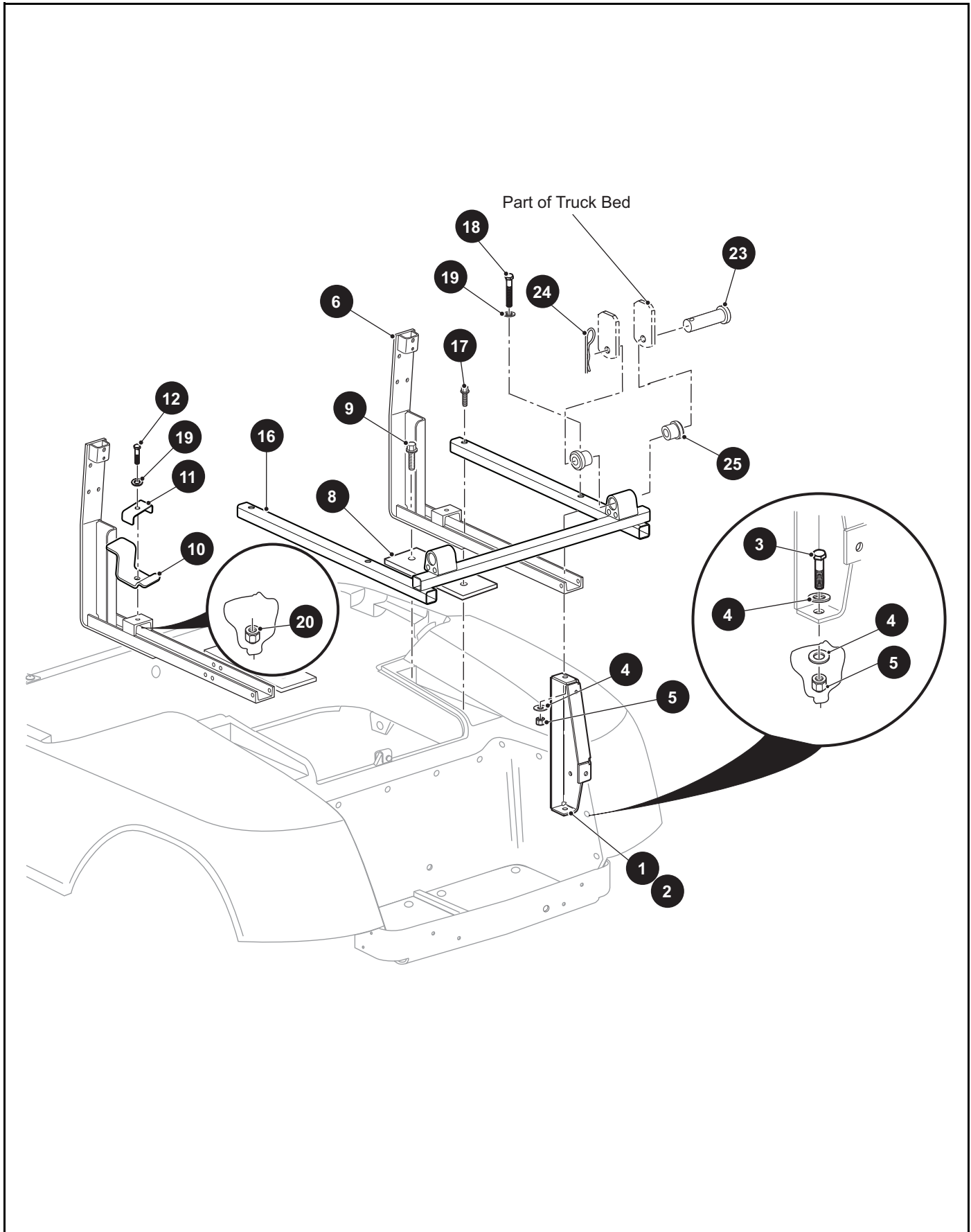
When ordering parts, please specify the model and serial number of the product.

* Indicates a component that is not available as an individual part.

*** Indicates consult Customer Service Department for additional information.

ITEM	PART NO.	1 2 3 4 5	DESCRIPTION	QTY.
1	70113G01		Adjustable Rubber Bumper	2
2	11027G1		Lock Nut, 5/16" - 18	2
3				
4				
5	607072		Bed Latch	1
6	71538G01		Latch Torsion Spring	1
7	652442G03		Keeper Plate	2
8	652440G03		Retainer Bracket	1
9	01118G01		Hex Head Bolt with Patch Lock, 1/4" - 20 x 5/8" Lg, Grade 5	4
10				
11	71704G01		Handle Grip	2

TRUCK BED



THE USE OF NON U.L. PARTS WILL VOID ANY U.L. LISTING.

When ordering parts, please specify the model and serial number of the product.

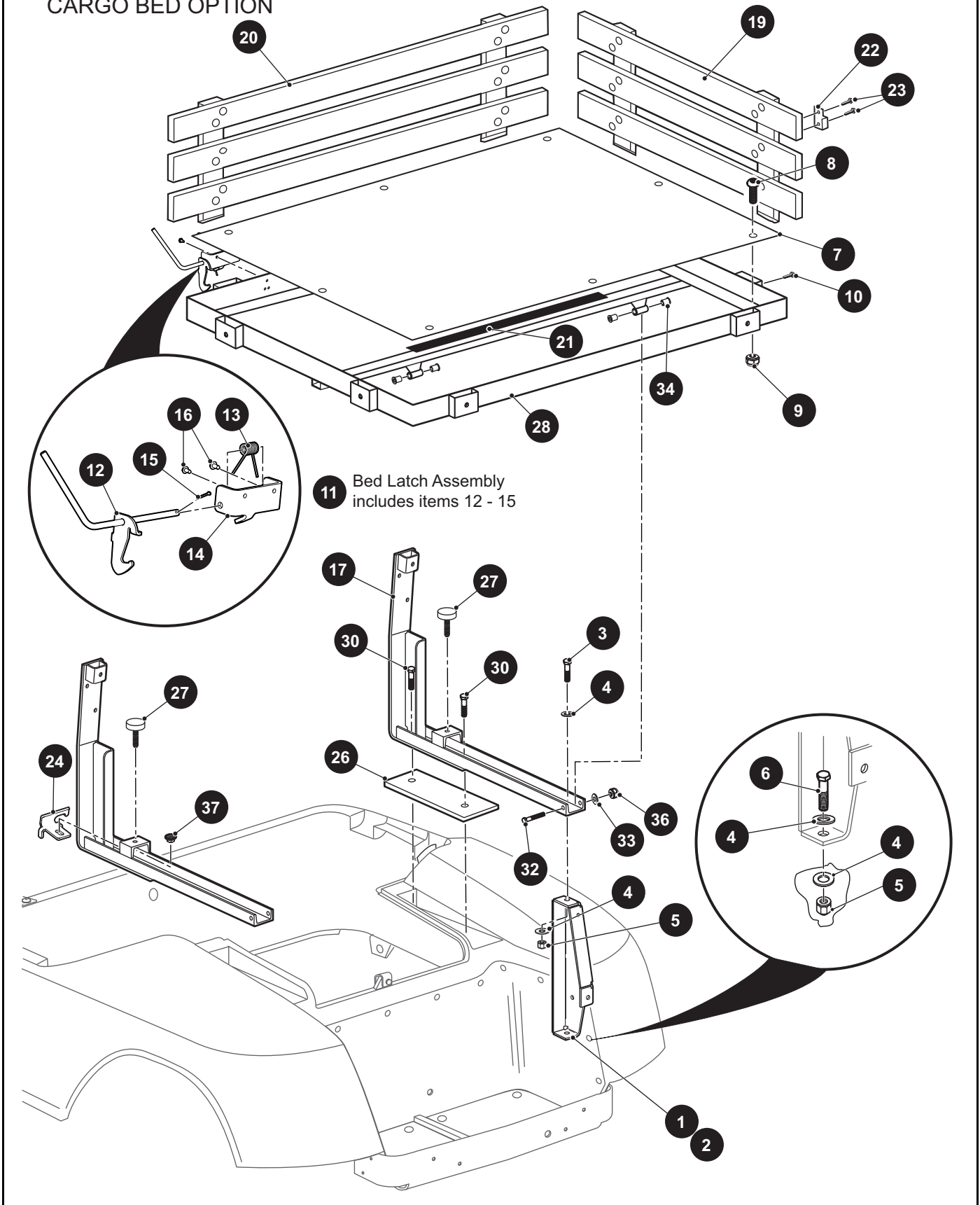
* Indicates a component that is not available as an individual part.

*** Indicates consult Customer Service Department for additional information.

ITEM	PART NO.	1 2 3 4 5	DESCRIPTION	QTY.
1	74126G01		Rear Support Frame (Driver Side)	1
2	74126G02		Rear Support Frame (Passenger Side)	1
3	00427G4		Hex Head Bolt, 3/8" - 16 X 1 1/2" Lg, Grade 5	2
4	00560G1		Flat Washer, 3/8"	6
5	11098G5		Lock Nut, 3/8" - 16	4
6	685520		Seat Support Weldment	2
7				
8	70364G01		Spacer	2
9	01006G02		Hex Washer Head Bolt, 3/8" - 16 X 1 1/2" Lg	2
10	606167		Front Bed Support	2
11	607093		Bed Support Bracket	2
12	00439G1		Hex Head Bolt, 5/16" - 18 X 1 1/8" Lg, Grade 5	2
13				
14				
15				
16	635380		Bed Frame	1
17	01075G02		Hex Washer Head Bolt, 3/8" - 16 X 2.5" Lg	2
18	00665G8		Hex Head Bolt (SS), 3/8" - 16 X 2" Lg	2
19	00559G8		Flat Washer, 5/16"	4
20	11098G6		Lock Nut, 3/8" - 16	2
21				
22				
23	71571G01		Clevis Pin	2
24	21683G1		Cotter Pin, 5/32" X 2 13/16"	2
25	624030		Flanged Bushing	4

TRUCK BED

CARGO BED OPTION



THE USE OF NON U.L. PARTS WILL VOID ANY U.L. LISTING.

When ordering parts, please specify the model and serial number of the product.

* Indicates a component that is not available as an individual part.

*** Indicates consult Customer Service Department for additional information.

ITEM	PART NO.	1 2 3 4 5	DESCRIPTION	QTY.
1	74126G01		Rear Support Frame (Driver Side)	1
2	74126G02		Rear Support Frame (Passenger Side).....	1
3	00426G8		Hex Head Bolt, 3/16" - 16 x 1" Lg, Grade 5	2
4	00560G1		Flat Washer, 3/8"	8
5	11098G5		Lock Nut, 3/8" - 16	4
6	00427G4		Hex Head Bolt, 3/8" - 16 x 1 1/2" Lg, Grade 5	2
7	655936		Cargo Deckboard	1
8	16705G9		Truss Head Phillips Screw (SS), 1/4" - 20 x 1 1/4" Lg.....	8
9	14390G4		Lock Nut, 1/4" - 20	8
10	00666G6		Truss Head Thread Forming Screw (SS), #10 - 12 x 3/4" Lg.....	6
11	72913G01		Bed Latch Assembly (Includes Items 12 - 15).....	1
12	72912G01		Bed Latch	1
13	70681G01		Torsion Spring.....	1
14	74509G01		Pivot Bracket	1
15	10387G3		Cotter Pin.....	1
16	00100G6		Hex Washer Self Tapping Screw, #10 - 16 x 3/4" Lg.....	2
17	685520		Seat Support Weldment.....	2
18				
19	34280G01		Cargo Rack, 30.5"	2
20	34280G02		Cargo Rack, 43"	2
21	23052G1		Weather Stripping	1
22	74079G02		Tailgate Retainer Bracket.....	2
23	00666G6		Truss Head Thread Forming Screw (SS), #10 - 12 x 3/4" Lg.....	4
24	72914G01		Latch Tab Bracket (Passenger Side).....	1
25				
26	70364G01		Spacer Plate.....	2
27	70113G01		Adjustable Rubber Bumper	2
28	635862		Cargo Deck Weldment	1
29				
30	01006G01		Hex Washer Head Thread Forming Screw, 3/8" - 16 x 1 1/4" Lg	4
31				

TRUCK BED

THE USE OF NON U.L. PARTS WILL VOID ANY U.L. LISTING.

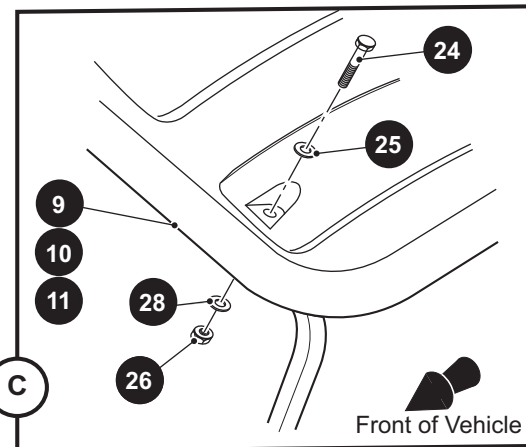
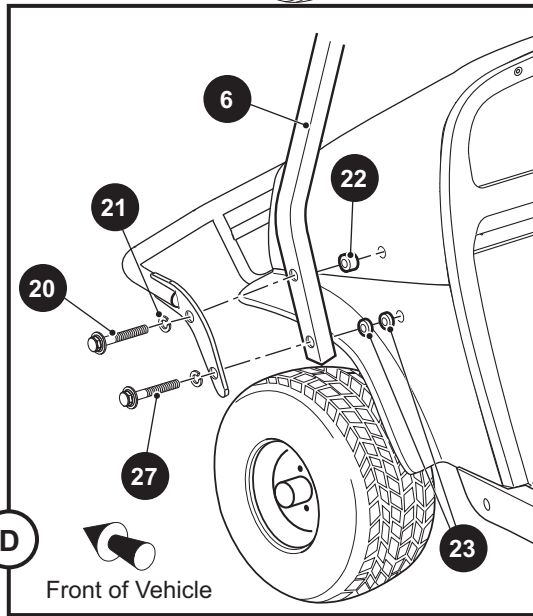
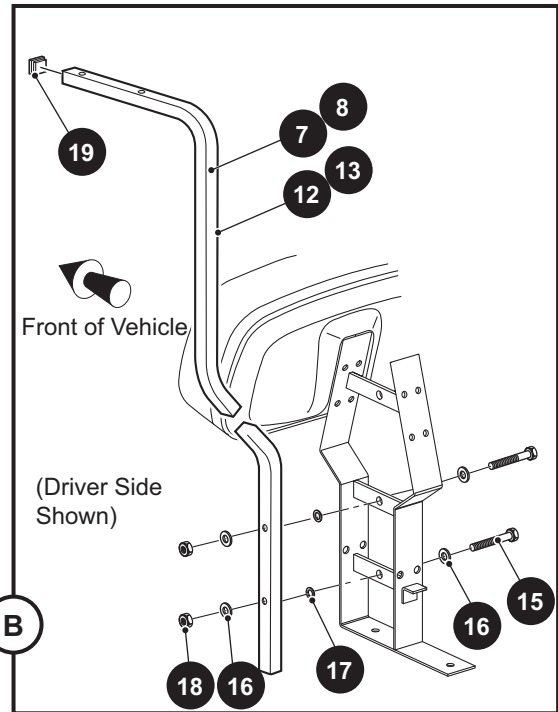
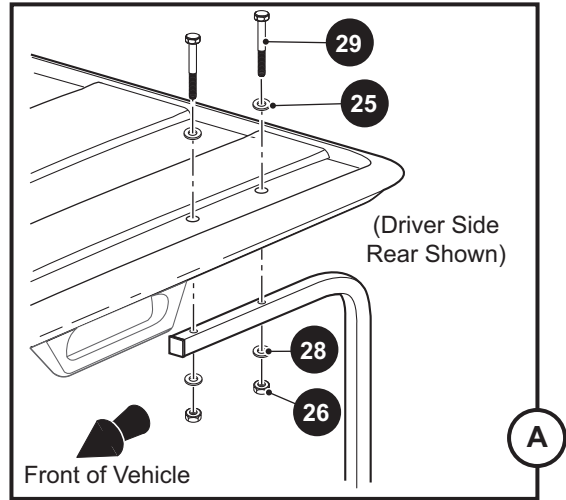
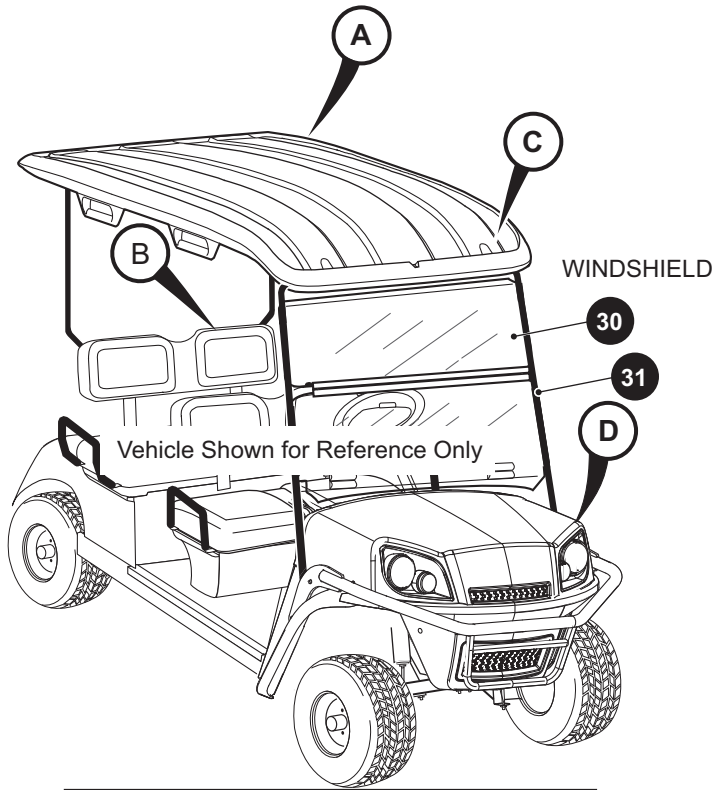
When ordering parts, please specify the model and serial number of the product.

* Indicates a component that is not available as an individual part.

*** Indicates consult Customer Service Department for additional information.

ITEM	PART NO.	1 2 3 4 5	DESCRIPTION	QTY.
32	00440G4		Hex Head Bolt, 5/16" 18 x 1 1/4" Lg	2
33	00559G8		Flat Washer, 5/16"	2
34	17838G1		Nyliner Bushing	4
35				
36	11098G6		Lock Nut, 5/16" - 18	2
37	11027G1		Flanged Lock Nut, 5/16" - 18	4

WEATHER PROTECTION



- 1 Sun Top Kit, Black includes items 6 - 9, 14
- 2 Sun Top Kit, White includes items 6 - 8, 10, 14
- 3 Sun Top Kit, White includes items 6, 10, 12 - 14
- 4 Sun Top Kit, Black includes items 6, 9, 12 - 14
- 5 Sun Top Kit, Tan includes items 6, 11 - 14
- 14 Sun Top Hardware Kit includes items 15 - 29

WEATHER PROTECTION

THE USE OF NON U.L. PARTS WILL VOID ANY U.L. LISTING.

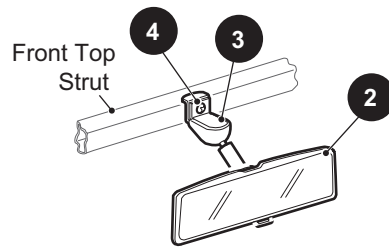
When ordering parts, please specify the model and serial number of the product.

* Indicates a component that is not available as an individual part.

*** Indicates consult Customer Service Department for additional information.

ITEM	PART NO.	1 2 3 4 5	DESCRIPTION	QTY.
1	607305		Sun Top Kit, Black (Includes Items 6 - 9, 14)	1
2	607581		Sun Top Kit, White (Includes Items 6 - 8, 10, 14).....	1
3	617947		Sun Top Kit, White (Includes Items 6, 10, 12 - 14).....	1
4	617950		Sun Top Kit, Black (Includes Items 6, 9, 12 - 14)	1
5	643404		Sun Top Kit, Tan (Includes Items 6, 11 - 14).....	1
6	75488G01		Front Support.....	1
7	75487G02		Rear Support (Driver Side).....	1
8	75487G01		Rear Support (Passenger Side)	1
9	607258		Sun Top, Black.....	1
10	607580		Sun Top, White	1
11	643212		Sun Top, Tan.....	1
12	617943		Rear Support (Driver Side).....	1
13	617942		Rear Support (Passenger Side)	1
14	608138		Sun Top Hardware Kit (Includes Items 15 - 29).....	1
15	00665G5		Hex Head Bolt (SS), 3/8" - 16 x 1" Lg	4
16	00679G1		Flat Washer (SS), 3/8"	8
17	00771G5		Nylon Washer, 3/8".....	4
18	00891G5		Lock Nut, 3/8" - 16	4
19	19853G1		End Cap, 1" Sq	2
20	01035G02		Hex Washer Head Bolt, 5/16" - 18 x 2 1/2" Lg, Grade 5	2
21	00565G8		Lock Washer, 5/16"	4
22	75048G01		Spacer, 1/2".....	2
23	00879G1		Flat Washer, 3/8"	4
24	00685G10		Hex Head Bolt, 5/16" - 18 x 2.75" Lg	2
25	00907G2		Flat Washer (SS), 5/16"	6
26	11098G6		Lock Nut, 5/16" - 18	6
27	00440G2		Hex Head Bolt, 5/16" - 18 x 2 1/4" Lg, Grade 5	2
28	00660G8		Flat Washer (SS), 5/16"	6
29	00685G11		Hex Head Bolt (SS), 5/16" - 18 x 3 1/4" Lg	4
30	607255		Windshield Kit (Includes Item 31).....	1
31	615661		Sash, 12"	2

- 1 Rear View Mirror Kit includes items 2 - 4



REAR VIEW MIRROR

WEATHER PROTECTION

THE USE OF NON U.L. PARTS WILL VOID ANY U.L. LISTING.

When ordering parts, please specify the model and serial number of the product.

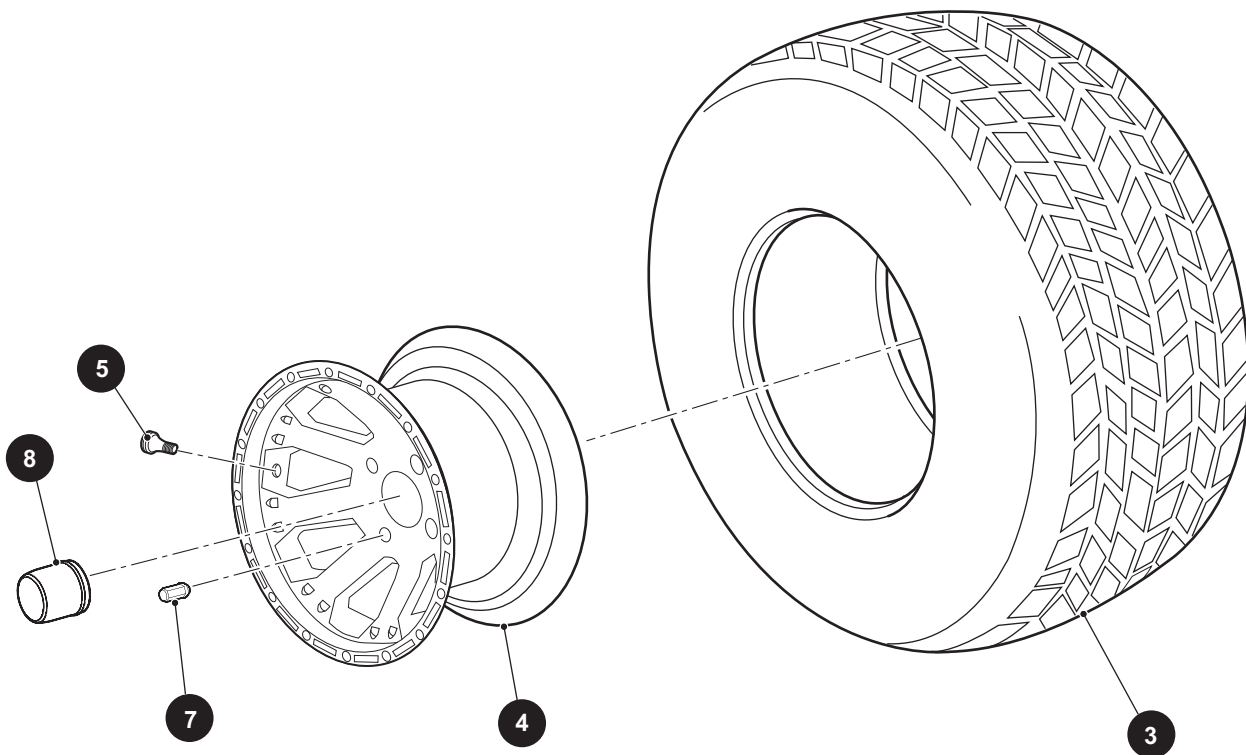
* Indicates a component that is not available as an individual part.

*** Indicates consult Customer Service Department for additional information.

ITEM	PART NO.	1 2 3 4 5	DESCRIPTION	QTY.
1	19528G2		Rear View Mirror Kit (Includes Items 2 - 4)	1
2	19496G1		Rear View Mirror.....	1
3	19502G2		Support Bracket.....	1
4	19527G1		Pan Head Screw, # 8 - 32 x 5/8" LG.....	1
5				
6	601379		Rear View Mirror (Five Panel Kit) (Not Illustrated)	1

WHEELS AND TIRES

- 1 Wheel and Tire Assembly, Speedracer, Driver Side includes items 3 - 5
- 2 Wheel and Tire Assembly, Speedracer, Passenger Side includes items 3 - 5



(Style of tire may differ from tire shown)

WHEELS AND TIRES

THE USE OF NON U.L. PARTS WILL VOID ANY U.L. LISTING.

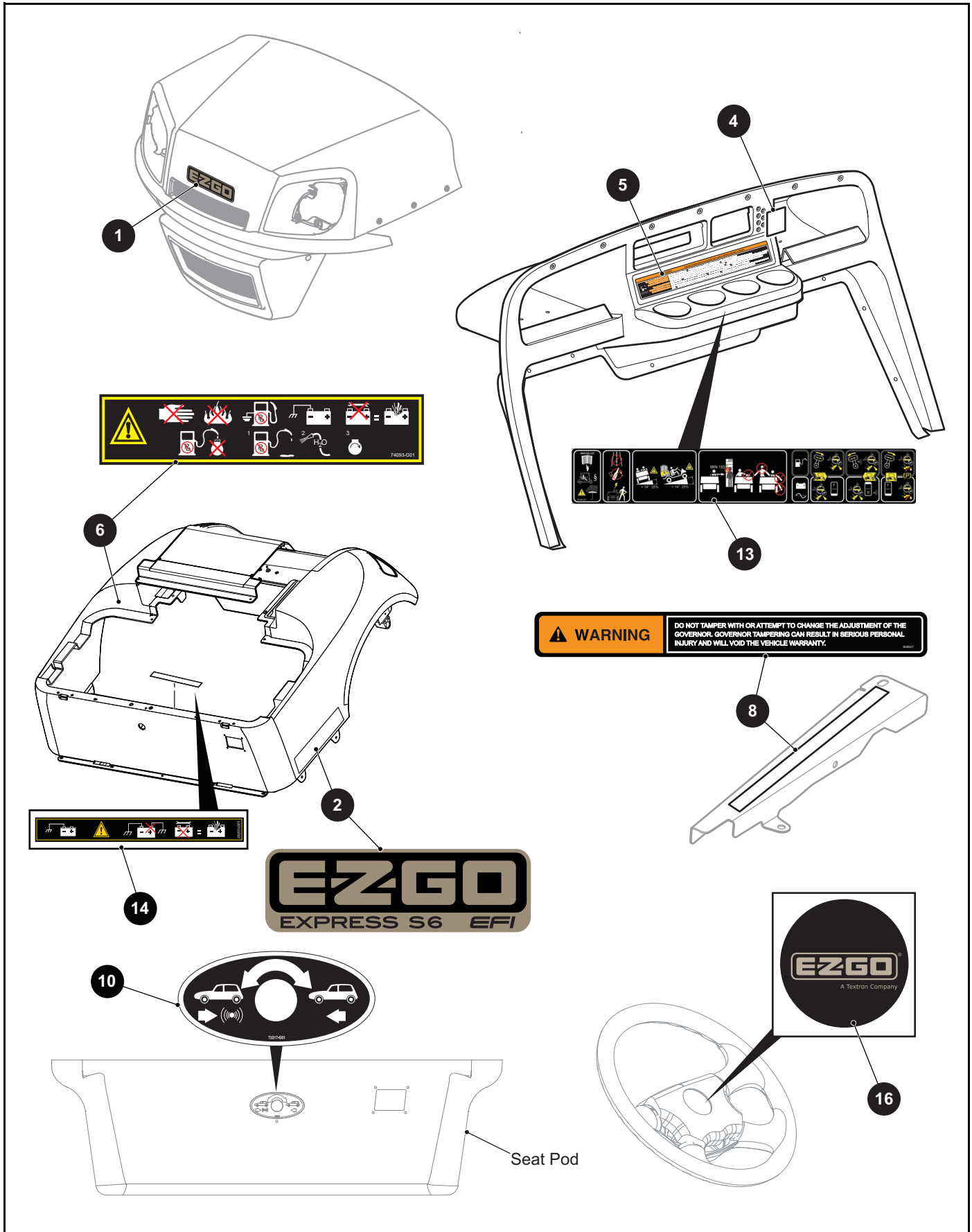
When ordering parts, please specify the model and serial number of the product.

* Indicates a component that is not available as an individual part.

*** Indicates consult Customer Service Department for additional information.

ITEM	PART NO.	1 2 3 4 5	DESCRIPTION	QTY.
1	606240		Wheel and Tire Assembly, Speedracer, Driver Side (Includes Items 3 - 5).....	1
2	606179		Wheel and Tire Assembly, Speedracer, Passenger Side (Includes Items 3 - 5)	1
3	606139		Tire, 10 x 7.....	1
4	606152		Rim	1
5	604915		Valve Stem	1
6				
7	605310		Lug Nut, 1/2" - 20	4
8	608910		Diamond Wheel Cap	1

DECALS AND LABELS



DECALS AND LABELS

THE USE OF NON U.L. PARTS WILL VOID ANY U.L. LISTING.

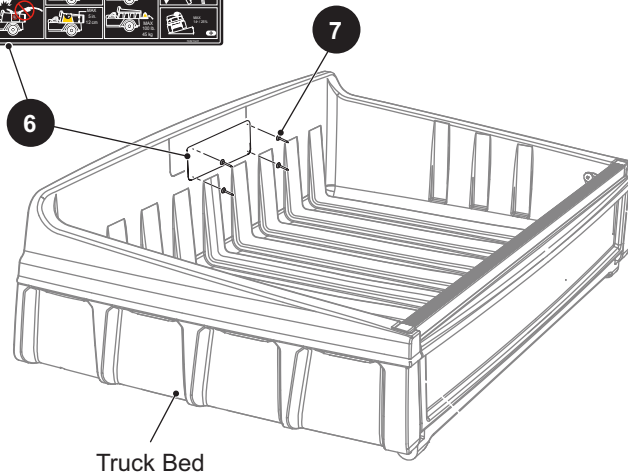
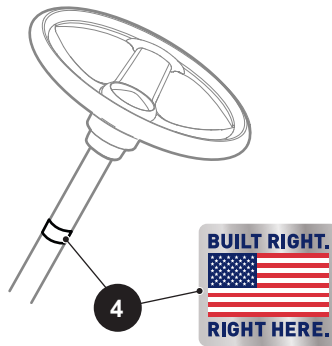
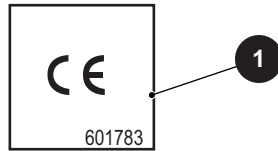
When ordering parts, please specify the model and serial number of the product.

* Indicates a component that is not available as an individual part.

*** Indicates consult Customer Service Department for additional information.

ITEM	PART NO.	1 2 3 4 5	DESCRIPTION	QTY.
1	619206		E-Z-GO Cowl Decal	1
2	690348		Express S6 Side Decal	1
3				
4	35968G01		T-Holder Cover Decal.....	1
5	608465		Safety Label	1
6	74093G01		Engine Warning Label.....	1
7				
8	608527		Governor Warning Label.....	1
9				
10	73317G01		FNR Decal (European).....	1
11				
12				
13	614121		Safety and Operation Label (For CE Vehicles).....	1
14	28203G01		Battery Warning Decal (For CE Vehicles).....	1
15				
16	605435		Steering Wheel Decal	1

DECALS AND LABELS



DECALS AND LABELS

THE USE OF NON U.L. PARTS WILL VOID ANY U.L. LISTING.

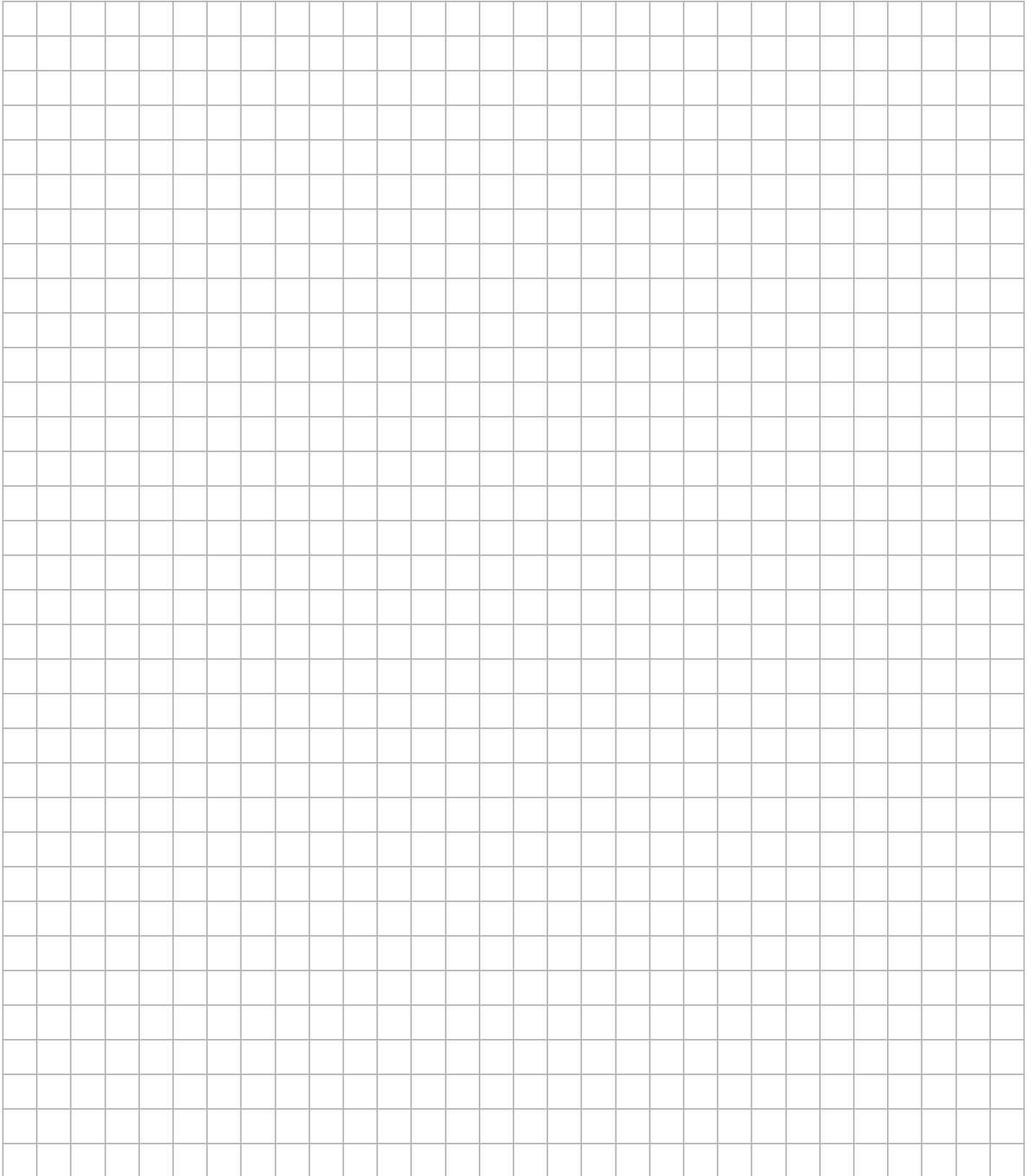
When ordering parts, please specify the model and serial number of the product.

* Indicates a component that is not available as an individual part.

*** Indicates consult Customer Service Department for additional information.

ITEM	PART NO.	1 2 3 4 5	DESCRIPTION	QTY.
1	601783		CE Symbol Decal (For CE Vehicles).....	1
2	608822		Governor Decal (For CE Vehicles).....	1
3				
4	685698		MADE IN USA Decal.....	1
5				
6	74821G01		Load Bed Decal, 500 lbs.....	1
7	71055G01		Rivet, 3/16" x 1" Lg.....	4

Notes:





A Textron Company

Textron Specialized Vehicles, Inc.,
1451 Marvin Griffin Road
Augusta, Georgia 30906 - 3852 USA

CONTACT INFORMATION

North America:

Technical Assistance & Warranty Phone: 1-800-774-3946, FAX: 1-800-448-8124
Service Parts Phone: 1-888-438-3946, FAX: 1-800-752-6175

International: Phone: 001-706-798-4311, FAX: 001-706-771-4609

Owner's Guides and Repair Manuals
are available from a local Distributor, an authorized Branch,
Parts & Accessories Department or at www.shop.txtsv.com/shop-ezgo

Copyrighted Material
This manual may not be reproduced in whole or
in part without the express permission of
Textron Specialized Vehicles
Technical Publications Department