



A Textron Company

Express S4, 72V

Service Parts Manual

SERVICE PARTS MANUAL

ELECTRIC POWERED VEHICLE

EXPRESS S4, 72V

STARTING MODEL YEAR 2020

Never modify the vehicle in any way that will alter the weight distribution of the vehicle, decrease its stability or increase the speed beyond the factory specifications. Such modifications can cause serious personal injury or death. Textron Specialized Vehicles prohibits and dis-claims responsibility for any such modifications or any other alteration which would adversely affect the safety of the vehicle.

TSV reserves the right to incorporate engineering and design changes to products in this manual, without obligation to include these changes on units sold previously.

The information contained in this manual may be revised periodically by TSV, and therefore is subject to change without notice.

TSV DISCLAIMS LIABILITY FOR ERRORS IN THIS MANUAL, and SPECIFICALLY DISCLAIMS LIABILITY FOR INCIDENTAL AND CONSEQUENTIAL DAMAGES resulting from the use of the information and materials in this manual.

These are the original instructions as defined by 2006/42/EC.

TO CONTACT US:

Textron Specialized Vehicles, Inc.
1451 Marvin Griffin Road
Augusta, Georgia, USA 30906-3852

NORTH AMERICA:

Technical Assistance & Warranty PHONE: 1-800-774-3946, FAX: 1-800-448-8124

Service Parts PHONE: 1-888-438-3946, FAX: 1-800-752-6175

International: PHONE: 001-706-798-4311, FAX: 001-706-771-4609

GENERAL INFORMATION

To obtain a copy of the limited warranty applicable to the vehicle, call or write a local Distributor, authorized Branch or the Warranty Department with vehicle serial number and manufacturer code.

The use of non Original Equipment Manufacturer (OEM) approved parts may void the warranty.

Tampering with or adjusting the governor to permit vehicle to operate at above factory specifications will void the vehicle warranty.

When servicing engines, all adjustments and replacement components must be per original vehicle specifications in order to maintain the United States of America Federal and State emission certification applicable at the time of manufacture.

BATTERY PROLONGED STORAGE

All batteries will self discharge over time. The rate of self discharge varies depending on the ambient temperature and the age and condition of the batteries.

A fully charged battery will not freeze in winter temperatures unless the temperature falls below -75° F (-60° C).

BATTERY DISPOSAL

Lead-acid batteries are recyclable. Return whole scrap batteries to distributor, manufacturer or lead smelter for recycling. For neutralized spills, place residue in acid-resistant containers with absorbent material, sand or earth and dispose of in accordance with local, state and federal regulations for acid and lead compounds. Contact local and/or state environmental officials regarding disposal information.

TABLE OF CONTENTS

SECTION	Page No.
HOW TO USE THE SERVICE PARTS MANUAL	V
ACCELERATOR	A - 1
BATTERY CHARGER	B - 1
BODY	C - 1
BRAKES	D - 1
ELECTRICAL	E - 1
ELECTRONIC SPEED CONTROL	F - 1
FRONT SUSPENSION AND STEERING	G - 1
MOTOR	H - 1
REAR AXLE	J - 1
REAR SUSPENSION	K - 1
SEATING	L - 1
WEATHER PROTECTION	M - 1
WHEELS AND TIRES	N - 1
DECALS AND LABELS	P - 1

HOW TO USE THE SERVICE PARTS MANUAL

This manual is divided into several sections:

- GENERAL INFORMATION
- ILLUSTRATED PARTS BREAKDOWN

The first section, GENERAL INFORMATION, contains the following information:

- WARRANTY INFORMATION
- TABLE OF CONTENT
- HOW TO USE THE SERVICE PARTS MANUAL

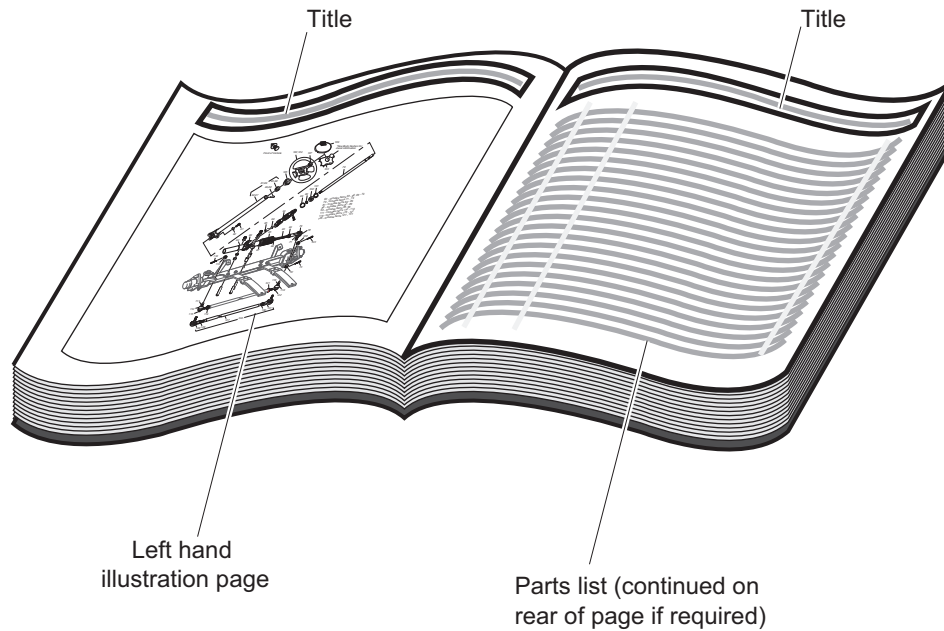
The second section, ILLUSTRATED PARTS BREAKDOWN, contains illustrations and parts lists for all systems of your vehicle.

USE OF THE MANUAL

To use this manual, consult the TABLE OF CONTENTS to locate the information or illustration required.

Introduction of some revisions varies due to supply of components; therefore, it is possible that various combinations of components may be found that are not directly reflected by each illustration. Consult the illustration that best suits your situation and then contact the Service Parts Department. It is important that the serial number or VIN of your vehicle and the model name be supplied to Service Parts when ordering any replacement components.

HOW TO USE THE SERVICE PARTS MANUAL



1. WHEN THE PART NUMBER IS NOT KNOWN

- Determine the function and application of the part required. Turn to the Table of Content and select the most appropriate title.
- Turn to the page number indicated and locate the desired part on the illustration.
- From the illustration, obtain the item number assigned to the desired part. Refer to the accompanying description for specific information regarding the part.

2. IF YOU KNOW THE PART NUMBER

- Locate the part number or description in the appropriate column on the parts list page.

NOTE: It is suggested that you confirm that the part selected is correct by verifying it with the pictorial representation on the illustrated page.

Should an asterisk (*) appear in the part number column on the parts list page, read upwards until a part number is found. The part number is the lowest assembly sold by Service Parts and the asterisk (*) indicates that the part depicted is not available for purchase.

NOTE: Descriptions are indented under the assembly that they are used on. That assembly is, in turn listed under the assembly that it is used on. This process is repeated until the highest final assembly is reached.

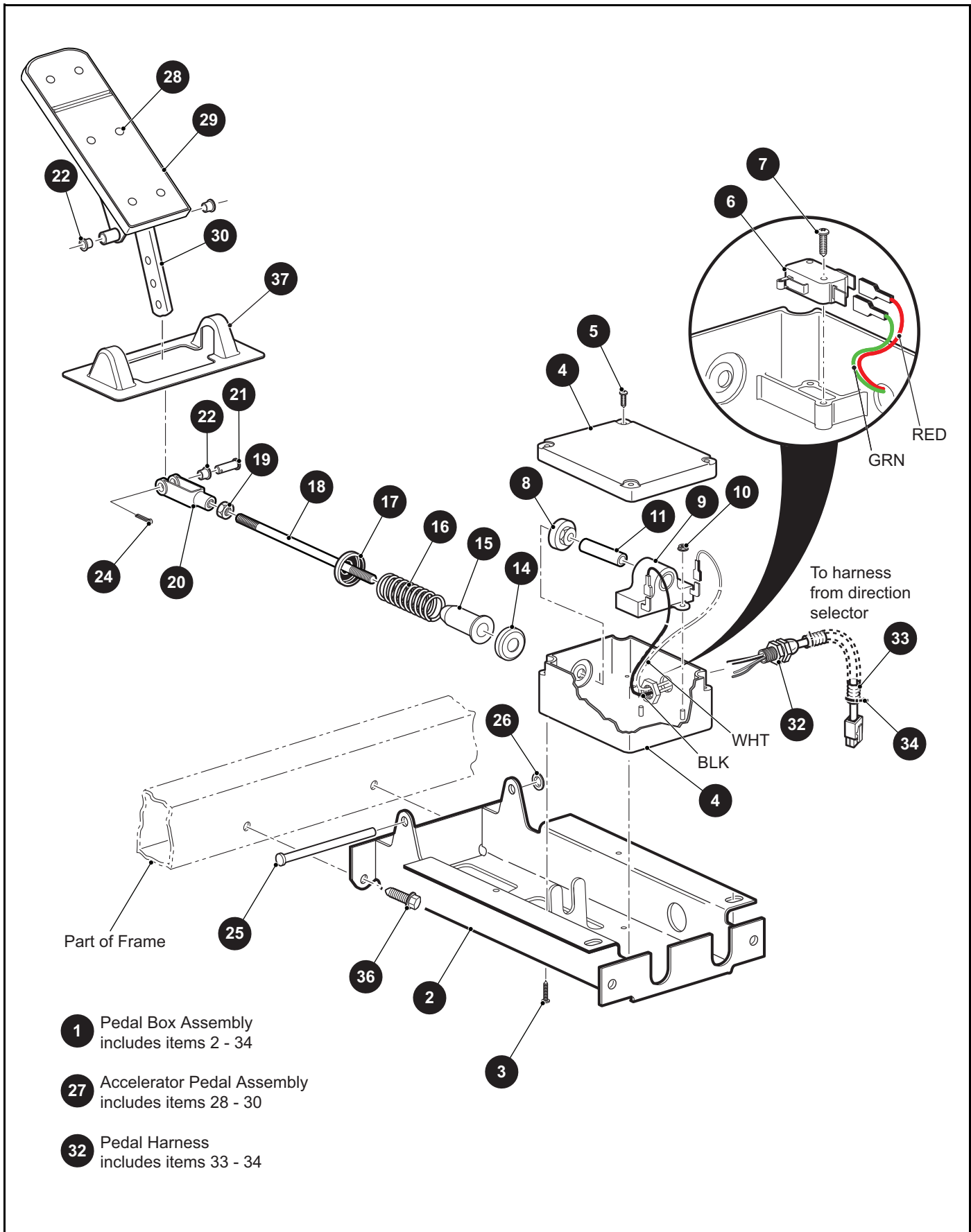
To facilitate the maintenance and repair of the vehicle, a Repair and Service Manual is available from the Service Parts Department.

3. COLOR CODE FOR BODY COMPONENTS

The last two digits of the part number for the body part will denote the color code, locate the part number for the cowl, rear body, seat pod, side panel or seat wrap then locate your color in the list below, replace the last ** or XX with the two digit color code.

<u>CODE #</u>	<u>DESCRIPTION</u>
02	SPECIAL COLOR
11	BLACK
19	PATRIOT BLUE PEARL
20	INFERNO RED METALLIC
26	STEEL BLUE PEARL
31	METALLIC CHARCOAL
35	SAFETY YELLOW
36	IVORY
37	FOREST GREEN
38	BRIGHT WHITE
39	FLAME RED
41	ELECTRIC BLUE
42	PLATINUM
43	BURGUNDY
44	ALMOND
51	SUNBURST ORANGE
52	BRITISH RACING GREEN
69	MONSTER GREEN
74	BARLEY GOLD
75	OASIS GREEN
76	JAVA BROWN
79	JACOBSEN ORANGE 172
A5	OCEAN GRAY

ACCELERATOR



THE USE OF NON U.L. PARTS WILL VOID ANY U.L. LISTING.

When ordering parts, please specify the model and serial number of the product.

* Indicates a component that is not available as an individual part.

*** Indicates consult Customer Service Department for additional information.

ITEM	PART NO.	1 2 3 4 5	DESCRIPTION	QTY.
1	73333G11		Pedal Box Assembly (Includes Items 2 - 34).....	1
2	652241G03		Accelerator Pedal Bracket	1
3	01051G01		Pan Head Phillips Screw, #8 - 10 x 1/2" Lg	4
4	25853G01		Pedal Box And Cover	1
5	00684G6		Truss Head Screw (SS), #8 - 32 x 3/4" Lg.....	2
6	25861G01		Micro Switch	1
7	01050G01		Pan Head Torx Screw, #4 - 20 x 5/8" Lg.....	2
8	28444G01		Accelerator Rod Cam	1
9	25854G01		Inductive Throttle Sensor.....	1
10	00983G01		Self Threading Nut, .38"	2
11	602484		Plunger	1
12				
13				
14	17677G1		Spring Retainer.....	1
15	17979G1		Bushing, .75" x 2" Lg	1
16	73046G01		Compression Spring	1
17	17677G2		Spring Retainer, 3/8".....	1
18	73332G01		Accelerator Rod.....	1
19	00532G4		Hex Nut, 5/16" - 24	1
20	10385G4		Clevis Yoke (Adjustable).....	1
21	10386G3		Clevis Pin, 5/16" x 13/16" Lg	1
22	17838G1		Nylon Bushing, .37" x .31" Lg	3
23				
24	10387G3		Cotter Pin, 3/32" x 3/4" Lg	1
25	74432G01		Pedal Pivot Pin	1
26	12064G6		Push Nut, 5/16".....	1
27	25799G03		Accelerator Pedal Assembly (Includes Items 28 - 30).....	1
28	16409G1		Oval Rivet, 3/16" x 7/16" Lg	6
29	27512G01		Accelerator Pedal Pad	1
30	652824		Accelerator Pedal.....	1
31				

ACCELERATOR

THE USE OF NON U.L. PARTS WILL VOID ANY U.L. LISTING.

When ordering parts, please specify the model and serial number of the product.

* Indicates a component that is not available as an individual part.

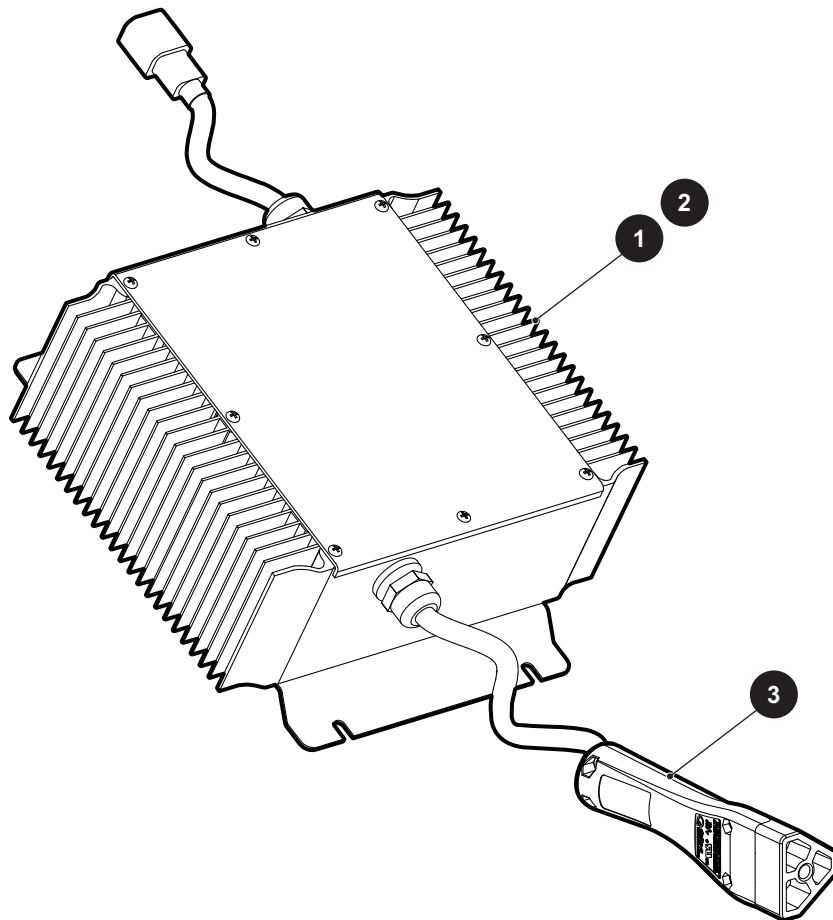
*** Indicates consult Customer Service Department for additional information.

ITEM	PART NO.	1	2	3	4	5	DESCRIPTION	QTY.
32	25879G08						Pedal Harness (Includes Items 33 - 34).....	1
33	17313G1						Loom Flex (Bulk), 3/8"	1
34	17618G1						Nylon Clamp, 8" Lg.....	2
35								
36	00715G2						Hex Head Bolt, 5/16" - 18 x 3/4" Lg.....	4
37	71035G01						Pedal Pivot Cover.....	1

Notes:

A large, empty grid area for taking notes, consisting of 30 columns and 25 rows of small squares.

BATTERY CHARGER



BATTERY CHARGER

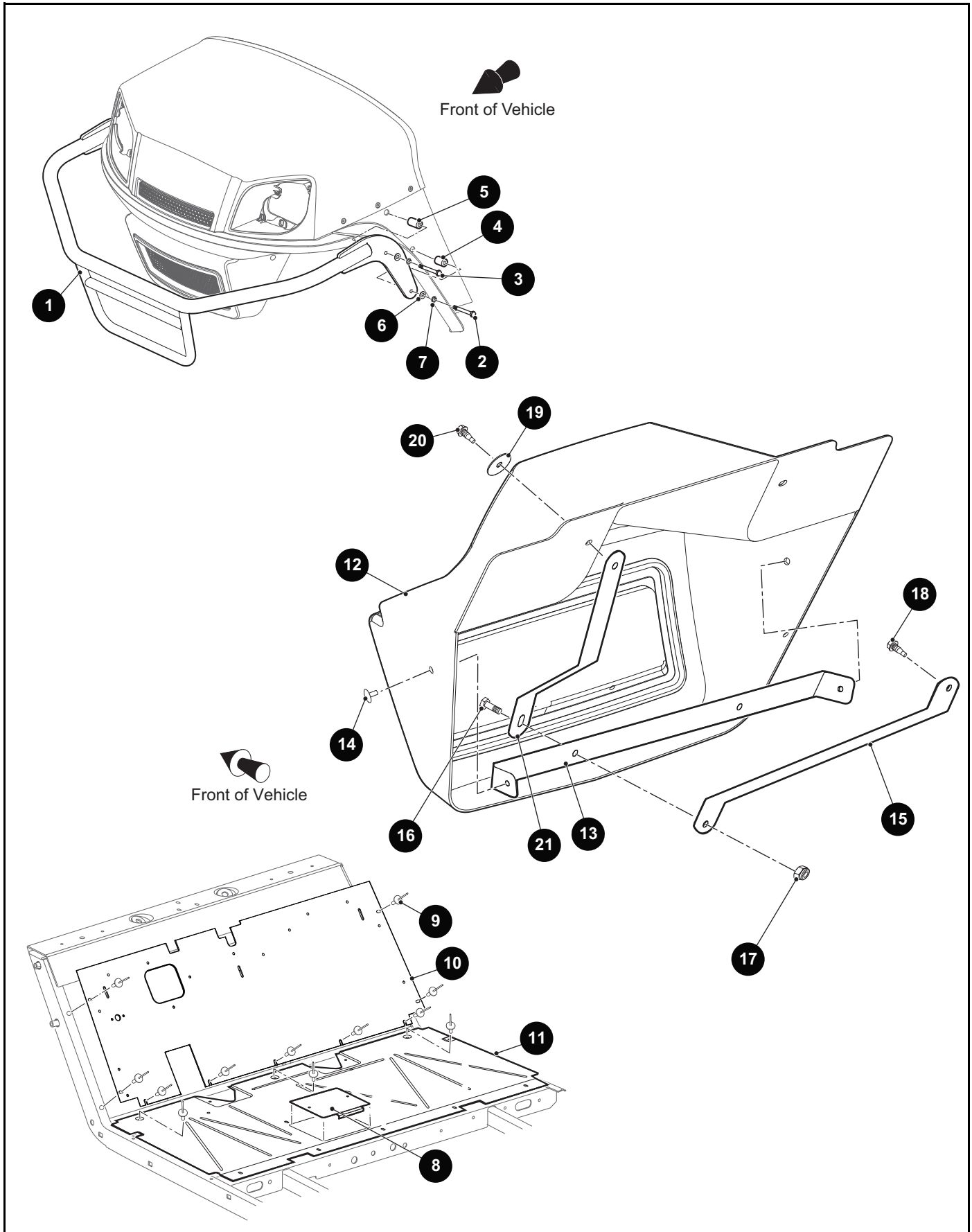
THE USE OF NON U.L. PARTS WILL VOID ANY U.L. LISTING.

When ordering parts, please specify the model and serial number of the product.

* Indicates a component that is not available as an individual part.

*** Indicates consult Customer Service Department for additional information.

ITEM	PART NO.	1 2 3 4 5	DESCRIPTION	QTY.
1	645743		Battery Charger, 72V, 1500W	1
2	634567		Battery Charger, 72V, 1000W	1
3	73051G02		Paddle.....	1



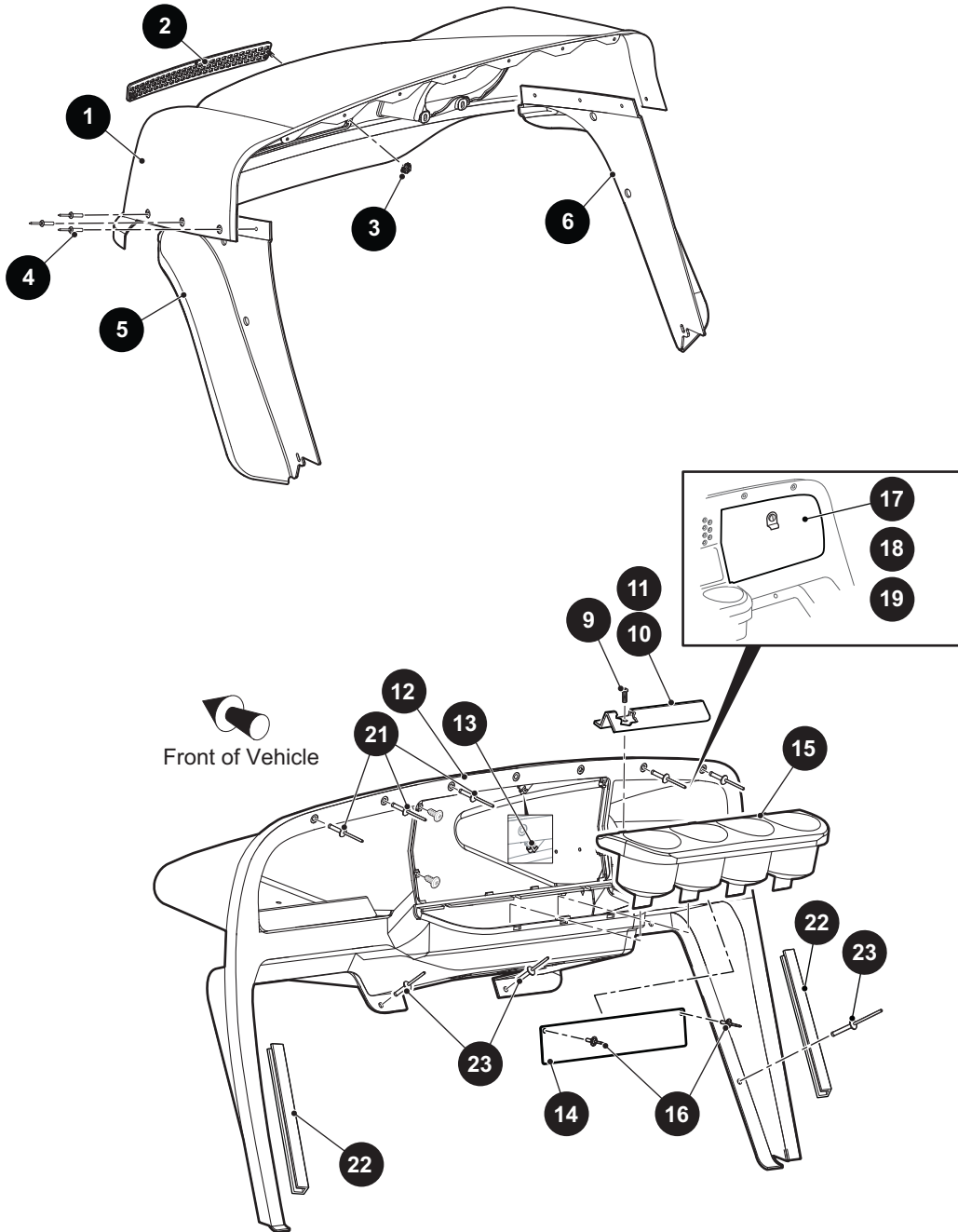
THE USE OF NON U.L. PARTS WILL VOID ANY U.L. LISTING.

When ordering parts, please specify the model and serial number of the product.

* Indicates a component that is not available as an individual part.

*** Indicates consult Customer Service Department for additional information.

ITEM	PART NO.	1 2 3 4 5	DESCRIPTION	QTY.
1	617620		Brushguard.....	1
2	00440G2		Hex Head Bolt, 5/16" - 18 x 2 1/4" Lg, Grade 5	2
3	00440G6		Hex Head Bolt, 5/16" - 18 x 2 3/4" Lg, Grade 5	2
4	75048G04		Spacer, .328" x .75" x 1" Lg	2
5	75048G02		Spacer, .328" x .75" x 1.31" Lg	2
6	00559G8		Flat Washer (Narrow), 5/16".....	4
7	00565G8		Lock Washer, 5/16"	4
8	70452G01		Access Cover	1
9	14601G11		Rivet (Aluminum), 3/16" x 9/16" Lg	16
10	641260		Upper Floor Panel.....	1
11	70451G01		Lower Floor Panel.....	1
12	613273		Front Fascia	1
13	654275		Front Fascia Bracket.....	1
14	15058G1		Rivet (Aluminum Black), 3/16" x .45"	2
15	654276		Front Fascia Brace	2
16	00414G6		Hex Head Bolt, 1/4" - 20 x 3/4" Lg, Grade 5	2
17	14390G4		Lock Nut, 1/4" - 20	2
18	01038G01		Hex Washer Head Bolt, 1/4" - 20 x .700" Lg	2
19	16469G1		Fender Washer, 1 1/4" O.D. x 9/32" I.D.	2
20	71102G03		Hex Washer Head Taptite Bolt, 1/4" - 20 x 1.15" Lg, Grade 5.....	2
21	664610		Cowl Strap.....	1



- 7** Instrument Panel Assembly includes items 8 - 16
- 8** Instrument Panel Assembly with Ball Deflector includes items 9 - 13

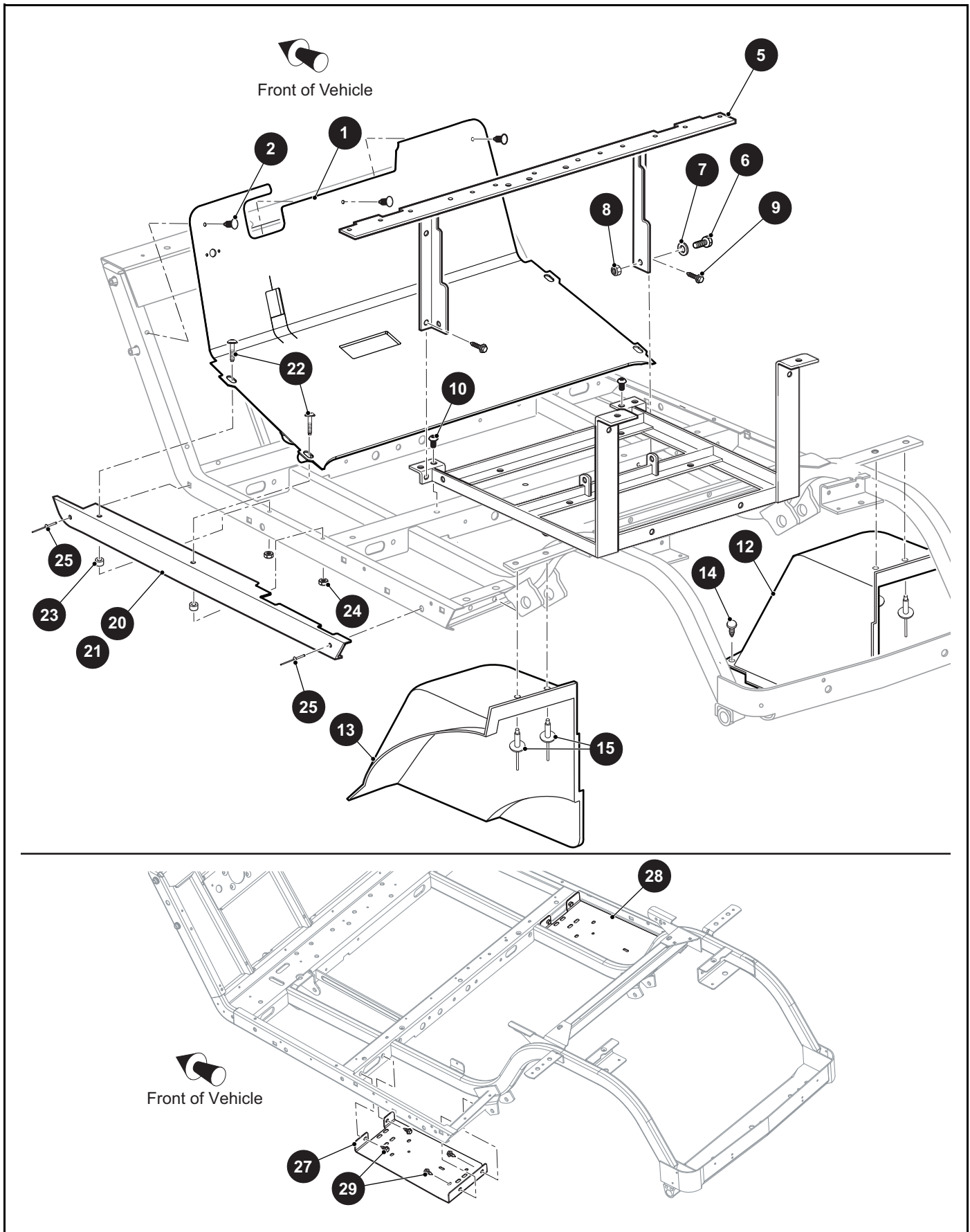
THE USE OF NON U.L. PARTS WILL VOID ANY U.L. LISTING.

When ordering parts, please specify the model and serial number of the product.

* Indicates a component that is not available as an individual part.

*** Indicates consult Customer Service Department for additional information.

ITEM	PART NO.	1 2 3 4 5	DESCRIPTION	QTY.
1	613036G0**		Cowl (See HOW TO USE Section for COLOR CODES)	1
2	617643		Grill Cover	1
3	71597G01		Self Threading Nut, 5mm x 10mm x 15mm.....	2
4	71055G01		Rivet, 3/16" x 1" Lg	6
5	614378		Fender Flare (Driver Side)	1
6	613274		Fender Flare (Passenger Side).....	1
7	662328		Instrument Panel Assembly (Includes Items 8 - 16).....	1
8	71917G01		Instrument Panel Assembly with Ball Deflector (Includes Items 9 - 13) ...	1
9	00614G3		Pan Head Phillips Screw, #8 - 18 x 5/8" Lg.....	6
10	71153G01		Ball Deflector (Passenger Side)	1
11	71154G01		Ball Deflector (Driver Side)	1
12	628010		Instrument Panel	1
13	71364G02		Speed Nut "J" Type, #8	5
14	662223		Safety Console Label Bracket	1
15	71158G01		Cup Holder Insert	1
16	71055G01		Rivet (Aluminum), 3/16" x 1" Lg	2
17	75459G01		Glove Box (Driver/Passenger Side).....	1
18	75459G02		Glove Box (Driver Side)	1
19	75459G03		Glove Box (Passenger Side).....	1
20				
21	71055G01		Rivet (Aluminum), 3/16" x 1" Lg	7
22	71115G01		Vinyl Trim	2
23	71055G01		Rivet (Aluminum), 3/16" x 1" Lg.....	2



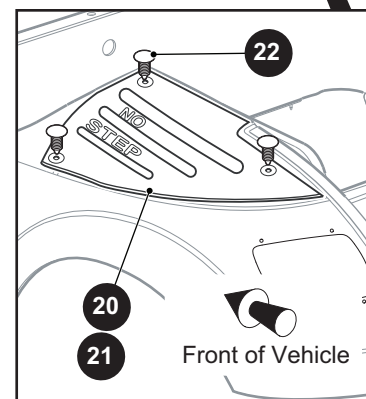
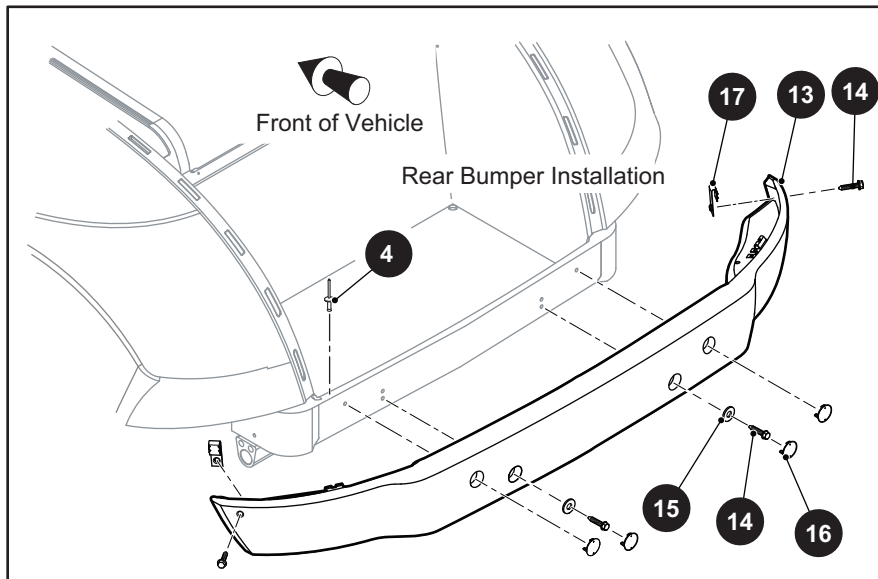
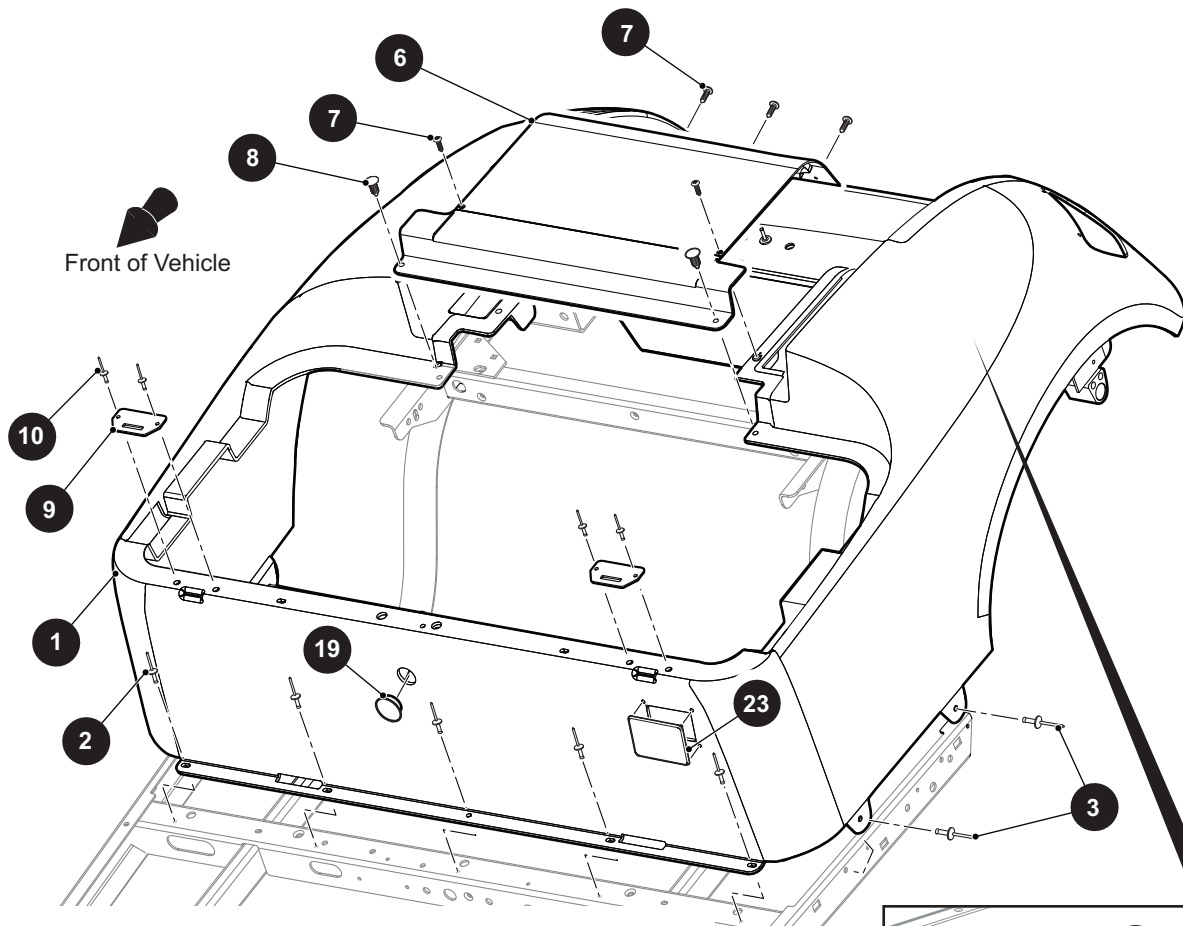
THE USE OF NON U.L. PARTS WILL VOID ANY U.L. LISTING.

When ordering parts, please specify the model and serial number of the product.

* Indicates a component that is not available as an individual part.

*** Indicates consult Customer Service Department for additional information.

ITEM	PART NO.	1 2 3 4 5	DESCRIPTION	QTY.
1	637535G01		Floor Mat	1
2	16816G1		Ratchet Rivet, .25" x .72"	3
3				
4				
5	70441G01		Seat Frame	1
6	00438G6		Hex Head Bolt, 5/16" - 18 x 3/4" Lg, Grade 5	2
7	00559G8		Flat Washer, 5/16"	2
8	11098G6		Lock Nut , 5/16" - 18	2
9	00715G2		Hex Washer Head Bolt, 5/16" - 18 x .8" Lg	2
10	70200G01		Truss Head Torx Screw, 3/8" - 16 x 3/4" Lg.....	2
11				
12	658946		Fender Liner (Passenger Side).....	1
13	658949		Fender Liner (Driver Side).....	1
14	16816G2		Ratchet Fastener, 1/4" x .887" Lg	2
15	14601G17		Rivet (Aluminum), .3/16" x .575" Lg	2
16				
17				
18				
19				
20	689928G01		Rocker Panel (Driver Side)	1
21	689928G02		Rocker Panel (Passenger Side).....	1
22	645323		Pan Washer Head Torx Bolt, M6 - 1 x 30mm Lg.....	2
23	23726G4		Spacer, .298" Lg.....	2
24	601476		Lock Nut, 1/4" - 20	2
25	15058G6		Rivet (Aluminum), 3/16" x .937" Lg	2
26				
27	652443G103		Battery Tray Bracket (Driver Side)	1
28	652443G203		Battery Tray Bracket (Passenger Side)	1
29	00715G2		Hex Washer Head Bolt, 5/16" - 18 x .8" Lg	4



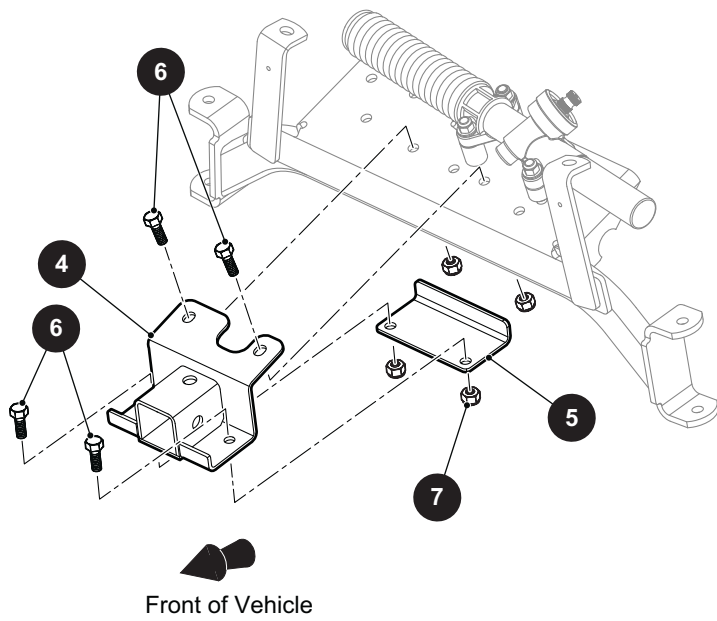
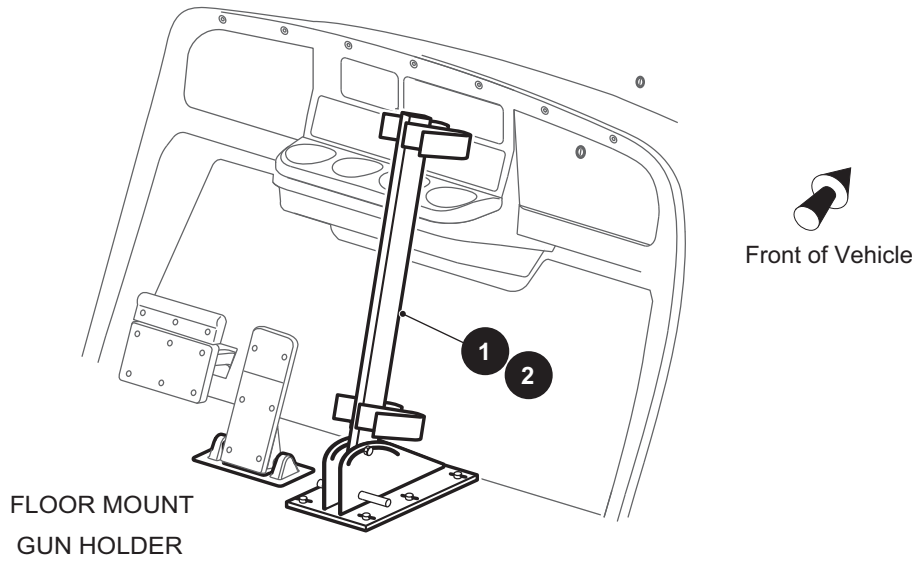
THE USE OF NON U.L. PARTS WILL VOID ANY U.L. LISTING.

When ordering parts, please specify the model and serial number of the product.

* Indicates a component that is not available as an individual part.

*** Indicates consult Customer Service Department for additional information.

ITEM	PART NO.	1 2 3 4 5	DESCRIPTION	QTY.
1	625272G1XX		Rear Body (With Taillights)..... (See HOW TO USE Section for COLOR CODES)	1
2	10570G10		Rivet (SS), 5/32" x 9/16" Lg	5
3	10570G12		Rivet (Aluminum), .257" x .556" Lg	4
4	633917		Rivet (Plastic).....	2
5				
6	71320G01		Access Panel	1
7	01107G01		Pan Head Torx Screw (SS), #8 x .63" Lg	5
8	16816G2		Ratchet Rivet, .25" x .887"	2
9	71609G01		Seat Hinge Plate	2
10	10570G11		Rivet (SS), 5/32" x .70" Lg	4
11				
12				
13	71451G02		Rear Bumper.....	1
14	71102G01		Hex Head Bolt, 1/4" - 20 x 3/4" Lg, Grade 5	4
15	00571G2		Flat Washer, 5/16"	2
16	71455G01		Bumper Plug	4
17	71554G01		J-Type Nut Retainer, 1/4" - 20	4
18				
19	71316G01		Plug	1
20	625210		Rear Scuff Pad (Driver Side)	1
21	625211		Rear Scuff Pad (Passenger Side)	1
22	16816G2		Ratchet Rivet, .25" x .887"	3
23	666066		Receptacle Cover Plate	1



THE USE OF NON U.L. PARTS WILL VOID ANY U.L. LISTING.

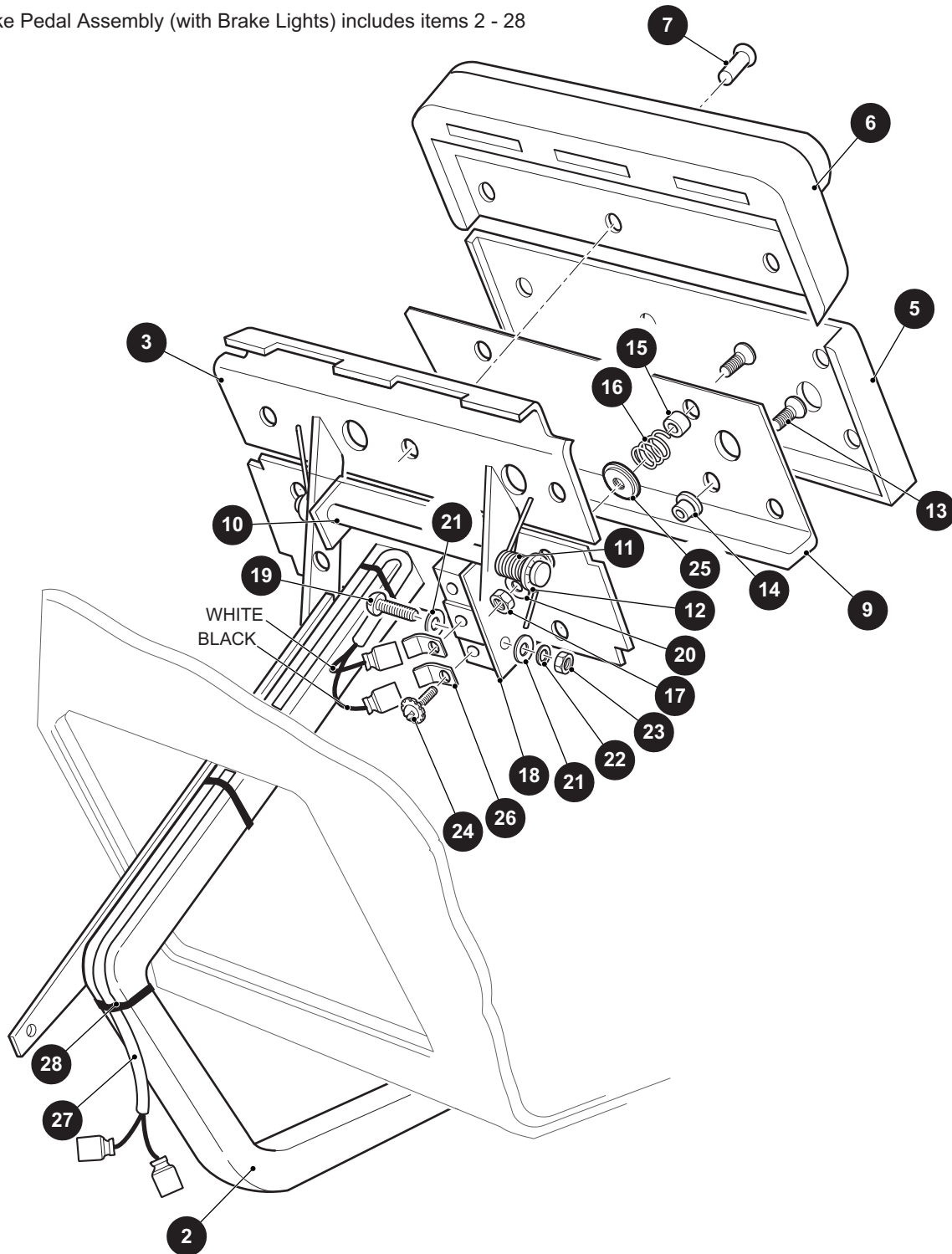
When ordering parts, please specify the model and serial number of the product.

* Indicates a component that is not available as an individual part.

*** Indicates consult Customer Service Department for additional information.

ITEM	PART NO.	1 2 3 4 5	DESCRIPTION	QTY.
1	74365G01		Gun Holder, Floor Mount.....	1
2	74533G01		Gun Holder (Swivel Mount).....	1
3				
4	635202		Winch Receiver.....	1
5	604572		Winch Receiver Retainer Plate.....	1
6	00462G8		Hex Head Bolt, 7/16" - 14 x 1" Lg.....	4
7	00734G1		Lock Nut, 7/16" - 14.....	4

1 Brake Pedal Assembly (with Brake Lights) includes items 2 - 28



BRAKES

THE USE OF NON U.L. PARTS WILL VOID ANY U.L. LISTING.

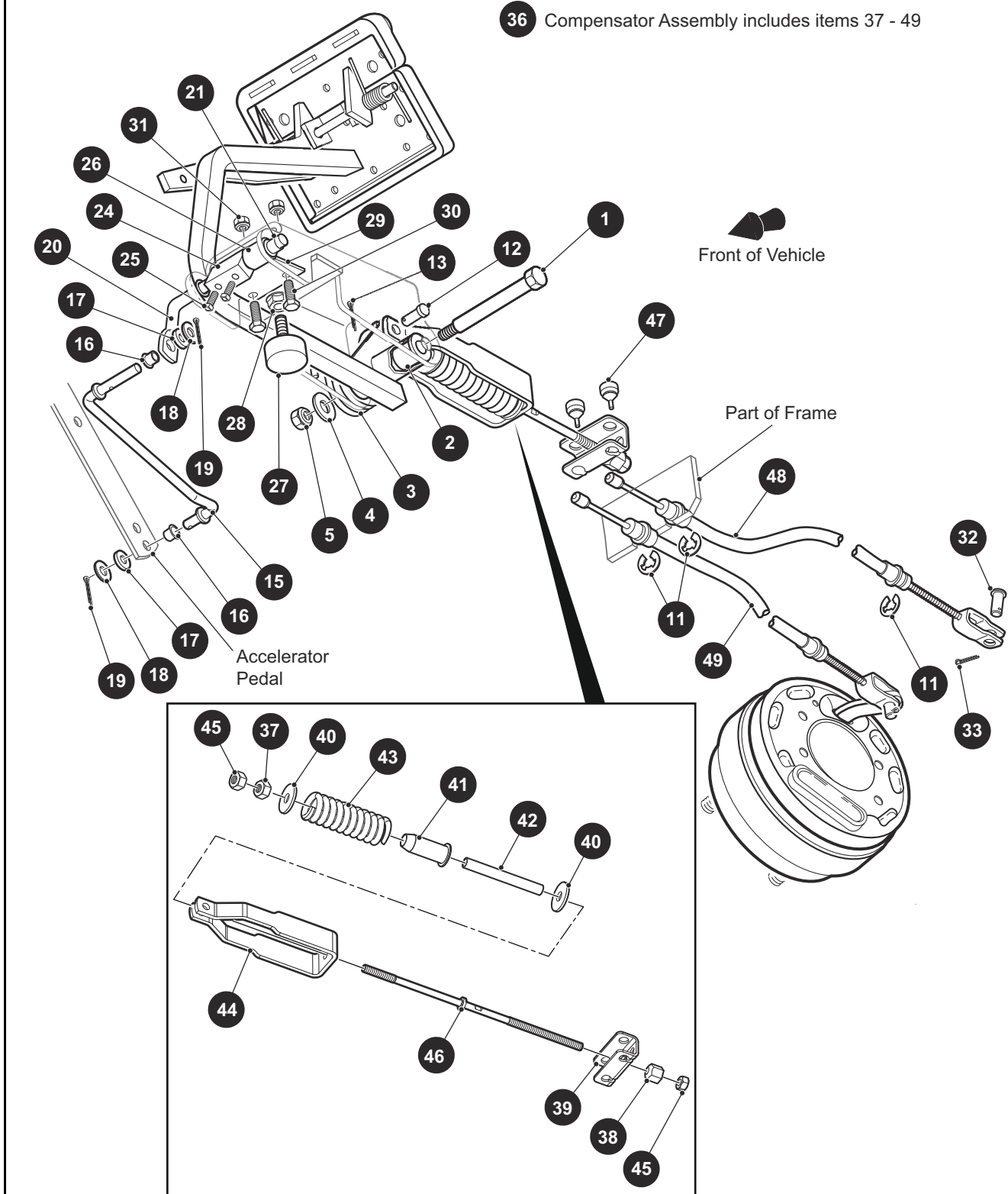
When ordering parts, please specify the model and serial number of the product.

* Indicates a component that is not available as an individual part.

*** Indicates consult Customer Service Department for additional information.

ITEM	PART NO.	1 2 3 4 5	DESCRIPTION	QTY.
1	70690G02		Brake Pedal Assembly (with Brake Lights) (Includes Items 2 - 28).....	1
2	652791G03		Brake Pedal	1
3	652253G03		Park Brake Pedal.....	1
4				
5	70257G01		Service Brake Pad	1
6	70256G01		Park Brake Pad	1
7	16409G1		Oval Rivet, 3/8" x 15/32" Lg.....	9
8				
9	652820		Service Brake Pedal Plate	1
10	70682G01		Pivot Pin	1
11	70681G01		Torsion Spring, .408" Dia x .93" Lg	2
12	658825		Push Nut, 5/16".....	2
13	00737G8		Flat Head Phillips Screw, #10 - 24 x 1" Lg, Grade 5.....	4
14	00739G1		Rubber Nut, #10 - 24	2
15	652355		Brake Pedal Spacer.....	2
16	27137G01		Conical Spring	2
17	14390G10		Lock Nut, #10 - 24	2
18	10606G8		Micro Switch	1
19	00645G2		Pan Head Phillips Screw, #6 - 32 x 1 1/4" Lg	2
20	00559G5		Flat Washer, #10.....	2
21	00559G3		Flat Washer, #6.....	4
22	00565G3		Lock Washer, #6	2
23	00525G5		Hex Nut, #6 - 32	2
24	13514G1		Pan Head Phillips Screw with Internal Tooth Lock Washer, #6 - 32 x .22" Lg	2
25	00642G8		Flat Washer, 5/16"	2
26	14628G1		Faston Tab.....	2
27	24605G1		Wire Harness, Brake Light.....	1
28	17618G1		Nylon Clamp, 7" Lg	2

36 Compensator Assembly includes items 37 - 49



THE USE OF NON U.L. PARTS WILL VOID ANY U.L. LISTING.

When ordering parts, please specify the model and serial number of the product.

* Indicates a component that is not available as an individual part.

*** Indicates consult Customer Service Department for additional information.

ITEM	PART NO.	1 2 3 4 5	DESCRIPTION	QTY.
1	70582G01		Hex Head Shoulder Bolt (SS), 3/4" x 4.03", 3/8" - 16 x .62" Lg	1
2	70581G01		Flanged Bushing, .1.062" O.D. x .795" I.D.....	2
3	70676G01		Torsion Spring	1
4	00643G1		Lock Washer, 3/8"	1
5	11098G5		Lock Nut, 3/8" - 16	1
6	01038G01		Hex Washer Head Bolt, 1/4" - 20 x .7" Lg (Not Illustrated).....	1
7	12416G2		Nylon Wedge Lock Clamp (Not Illustrated).....	3
8				
9				
10				
11	01111G01		Retaining Ring (SS), Dia .8"	4
12	10386G3		Clevis Pin, .438" x .938" Lg.....	1
13	10387G3		Cotter Pin, .094" x .75" Lg.....	1
14				
15	70601G01		Kick-off Link.....	1
16	17838G1		Nylon Bushing, .37" O.D. x .31" I.D.....	2
17	20835G1		Teflon Washer, 3/8"	2
18	00559G8		Flat Washer, 5/16"	2
19	10387G3		Cotter Pin, .094" x .75" Lg.....	2
20	70098G01		Kick-off Cam Pivot.....	1
21	10097G6		Flanged Bearing.....	2
22				
23				
24	70587G01		Kick-off Cam.....	1
25	71215G01		Set Screw With Patch Lock, 1/4" - 20 x .5" Lg	2
26	14134G4		Spacer, .76" O.D. x .395" I.D. x 1.25" Lg	1
27	70113G01		Adjustable Bumper	1
28	11027G1		Lock Nut, 5/16 - 18"	1
29	70080G02		Catch Bracket.....	1
30	00414G6		Hex Head Bolt, 1/4" - 20 x .25" Lg, Grade 5	2
31	14390G4		Lock Nut (SS), 1/4" - 20	2

BRAKES

THE USE OF NON U.L. PARTS WILL VOID ANY U.L. LISTING.

When ordering parts, please specify the model and serial number of the product.

* Indicates a component that is not available as an individual part.

*** Indicates consult Customer Service Department for additional information.

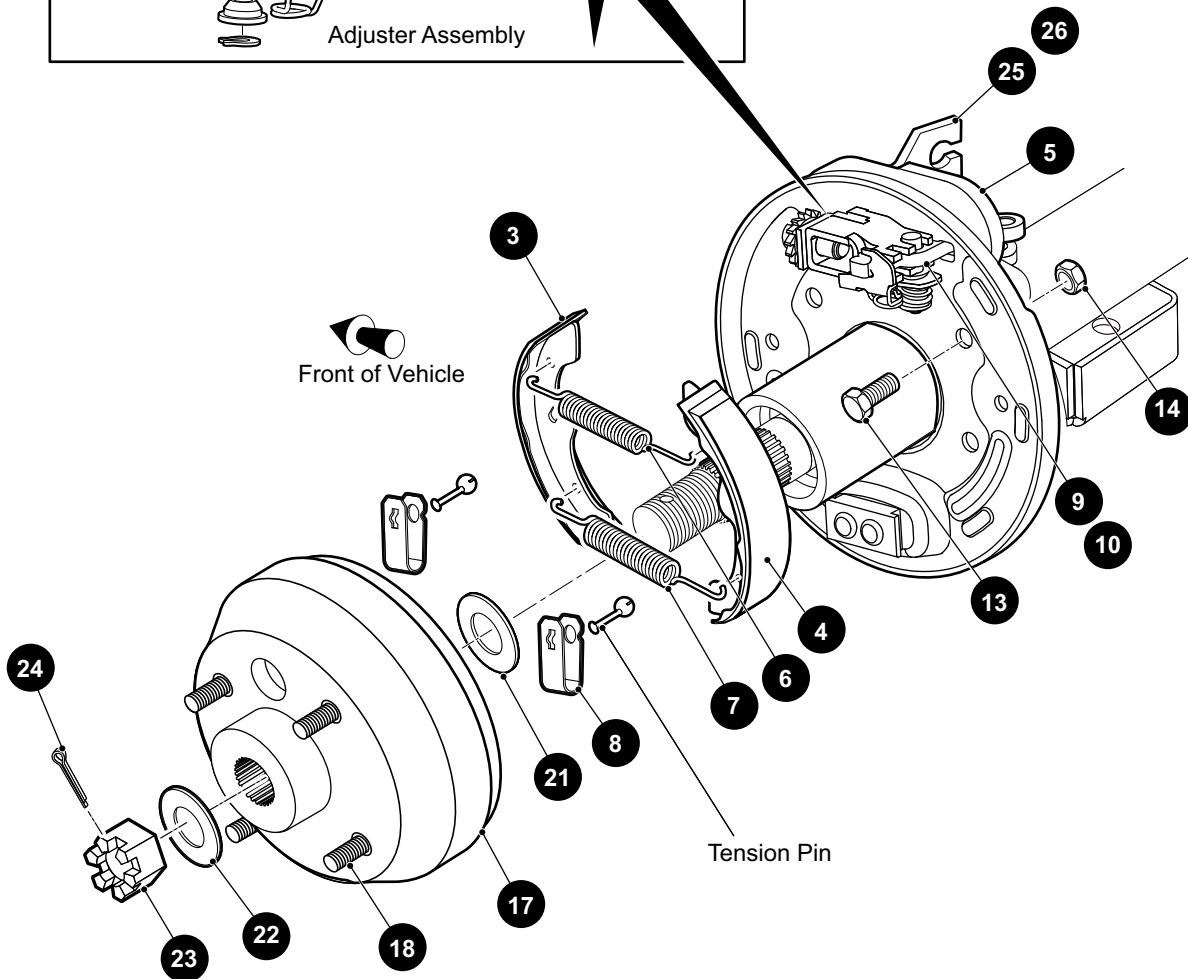
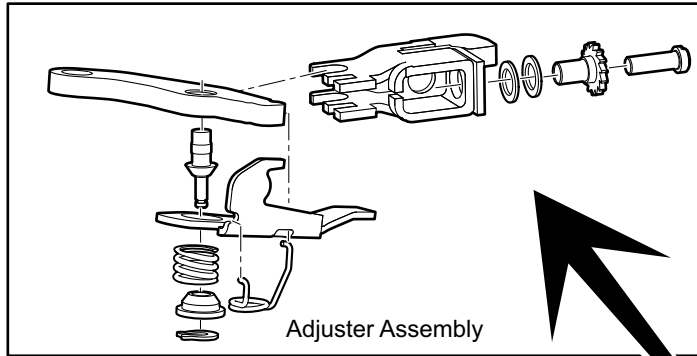
ITEM	PART NO.	1	2	3	4	5	DESCRIPTION	QTY.
32	10386G3						Clevis Pin, .438" x .938" Lg	1
33	10387G3						Cotter Pin, .094" x .75" Lg	1
34								
35								
36	654663						Compensator Assembly (Includes Items 37 - 49).....	1
37	00532G4						Hex Nut, 1/4" - 20.....	1
38	629486						Spherical Hex Nut, 5/16"- 24.....	1
39	28082G01						Equalizer Bracket	1
40	15121G1						Flat Washer, 5/16"	2
41	17979G1						Accelerator Rod Bushing, .464" I.D. x 1" O.D. x 2" Lg	1
42	23061G2						Tube	1
43	23463G1						Compression Spring.....	1
44	652256						Brake Yoke	1
45	11098G9						Hex Lock Nut, 5/16" - 24	2
46	612557						Compensator Link Rod	1
47	28083G01						Brake Compensator Bumper.....	2
48	624695						Brake Cable (Driver Side)	1
49	624696						Brake Cable (Passenger Side).....	1

Notes:

A large grid of graph paper for taking notes, consisting of approximately 30 columns and 30 rows of small squares.

BRAKES

- 1 Brake Assembly (Driver Side) includes items 3 - 9
- 2 Brake Assembly (Passenger Side) includes items 3 - 8, 10
- 16 Brake Drum Assembly includes items 17, 18



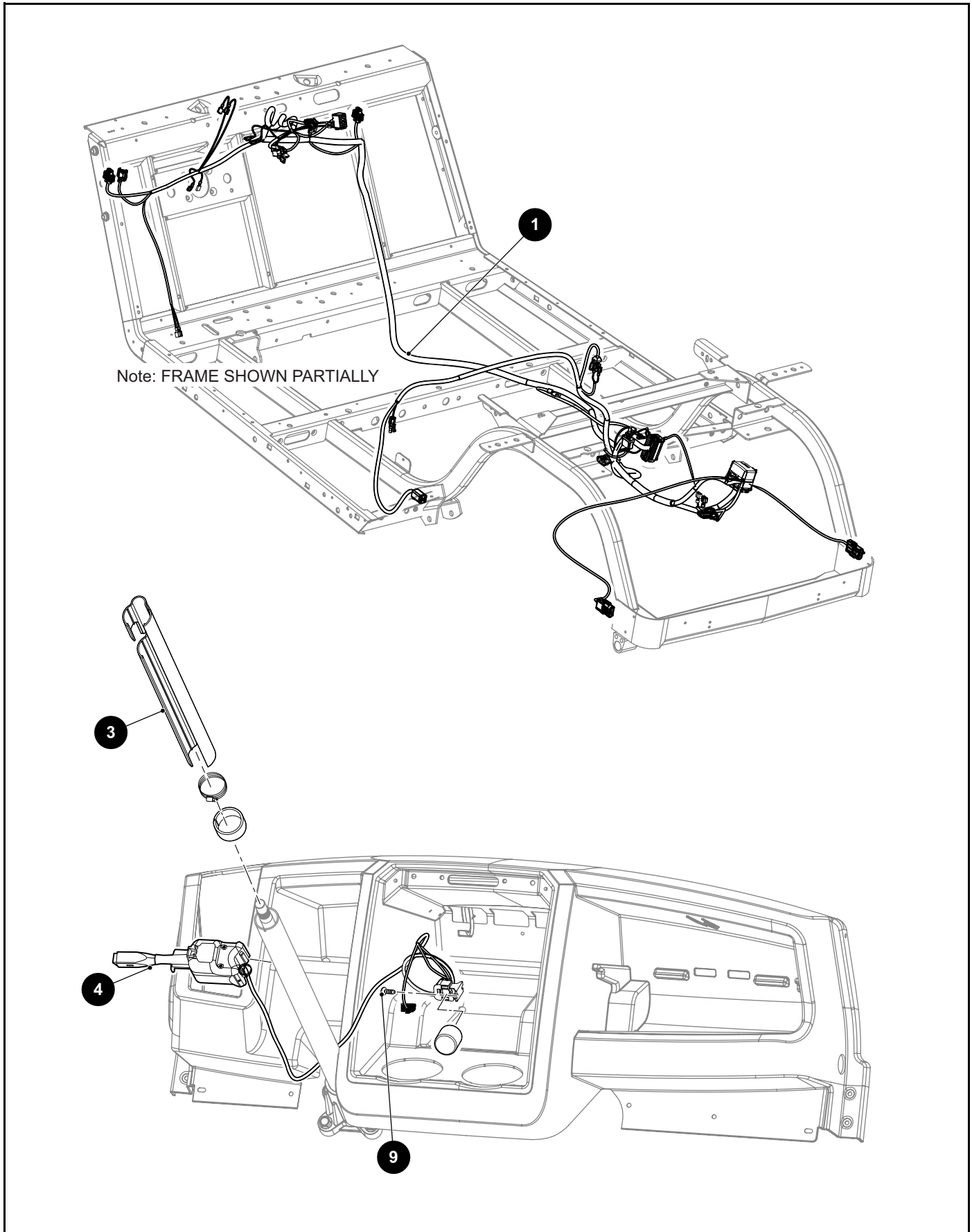
THE USE OF NON U.L. PARTS WILL VOID ANY U.L. LISTING.

When ordering parts, please specify the model and serial number of the product.

* Indicates a component that is not available as an individual part.

*** Indicates consult Customer Service Department for additional information.

ITEM	PART NO.	1 2 3 4 5	DESCRIPTION	QTY.
1	612189		Brake Assembly (Driver Side) (Includes Items 3 - 9)	1
2	612211		Brake Assembly (Passenger Side) (Includes Items 3 - 8, 10).....	1
3	612411		Brake Shoe, Leading	1
4	612412		Brake Shoe, Trailing	1
5	612413		Dust Cover.....	1
6	612415		Brake Spring, Top	1
7	612414		Brake Spring, Bottom	1
8	612416		Shoe Clamp.....	2
9	612418		Gear Adjuster (Driver Side)	1
10	612417		Gear Adjuster (Passenger Side).....	1
11				
12				
13	17083G2		Hex Head Bolt, 5/16" - 24 x 1" Lg, Grade 8	4
14	15126G1		Lock Nut, 5/16" - 24	4
15				
16	21807G2		Brake Drum Assembly (Includes Items 17, 18).....	1
17	20947G1		Brake Drum	1
18	19862G2		Lug Bolt, 1/2" - 20 x 1.718" Lg.....	4
19				
20				
21	21809G1		Flat Washer (Inner Wheel Rim), .984" x 1.312" x .031"	1
22	21830G1		Flat Washer (Brake Drum), .765" x 1.50" x .1196"	1
23	613172		Slotted Hex Nut, 3/4" - 16	1
24	10387G1		Cotter Pin, 5/32" x 1 3/4" Lg.....	1
25	652248		Brake Cable Bracket (Passenger Side)	1
26	652249		Brake Cable Bracket (Driver Side).....	1



THE USE OF NON U.L. PARTS WILL VOID ANY U.L. LISTING.

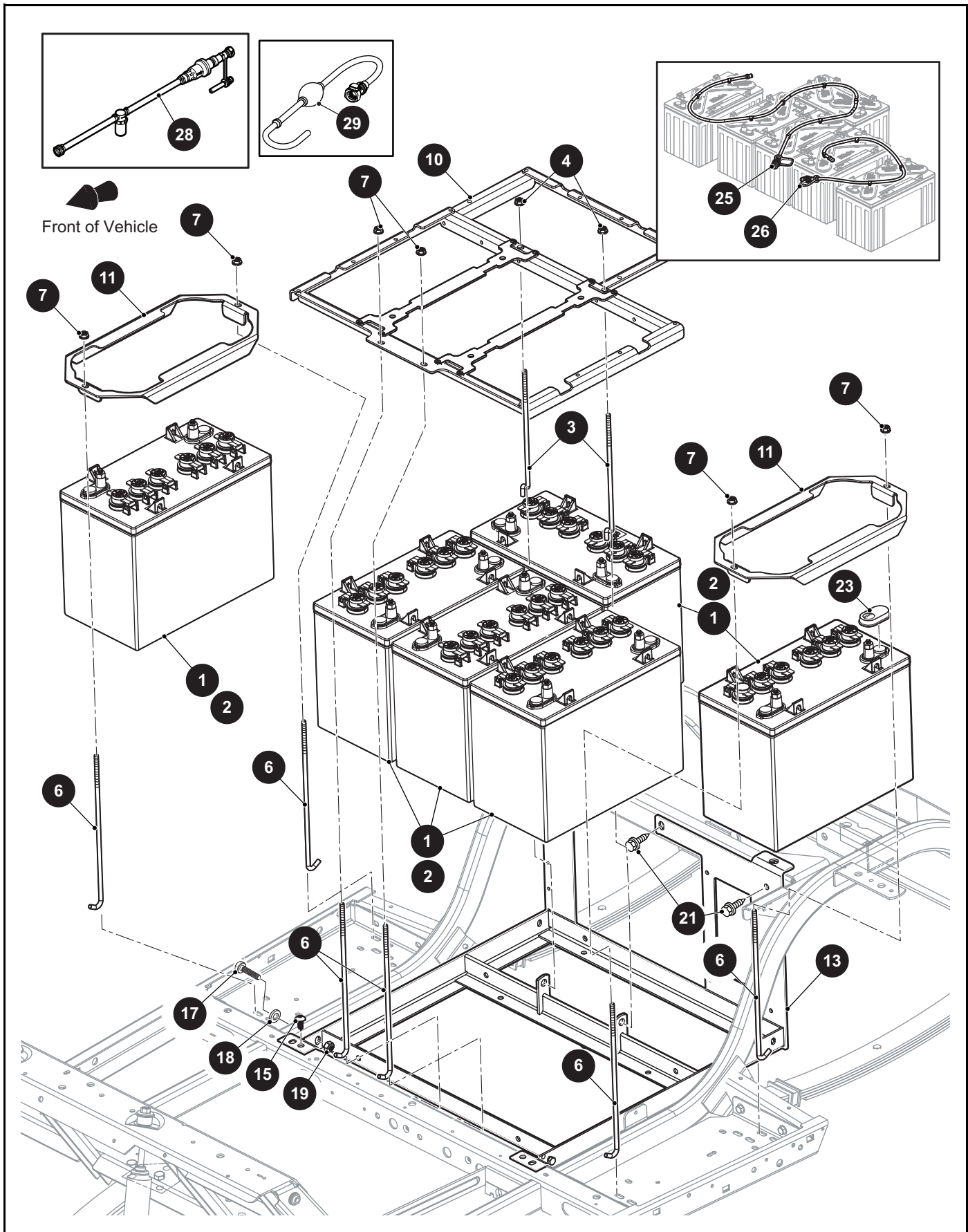
When ordering parts, please specify the model and serial number of the product.

* Indicates a component that is not available as an individual part.

*** Indicates consult Customer Service Department for additional information.

ITEM	PART NO.	1 2 3 4 5	DESCRIPTION	QTY.
1	687518		Main Harness	1
2				
3	20965G3		Steering Column Cover.....	1
4	615236		Turn Signal Switch Assembly	1
5				
6	19344G1		Vinyl Tape (Not Illustrated).....	1
7				
8	31539G1		Nylon Clamp, 15.5" (Not Illustrated).....	1
9	16816G5		Ratchet Rivet, .187" x .550" Lg	2
10				
11	17618G1		Nylon Clamp, 15.5" Lg (Not Illustrated).....	11

ELECTRICAL



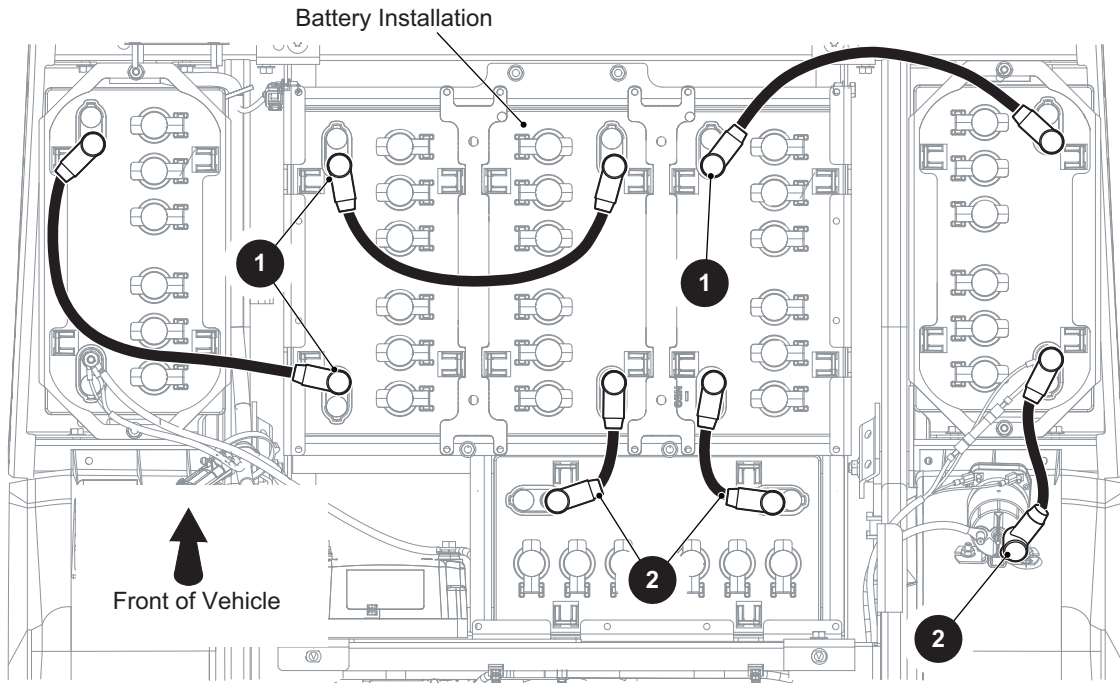
THE USE OF NON U.L. PARTS WILL VOID ANY U.L. LISTING.

When ordering parts, please specify the model and serial number of the product.

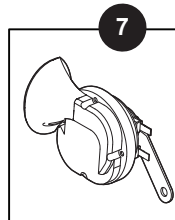
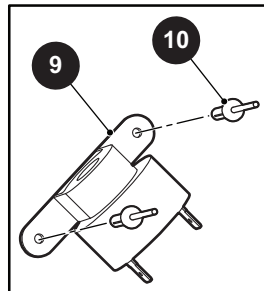
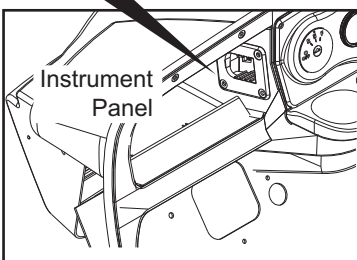
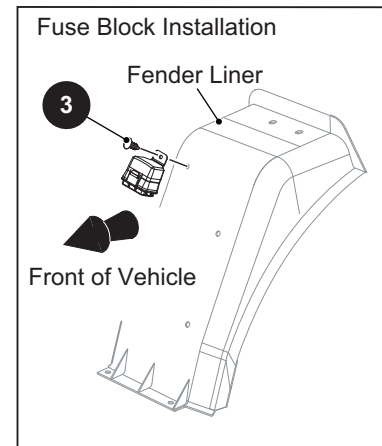
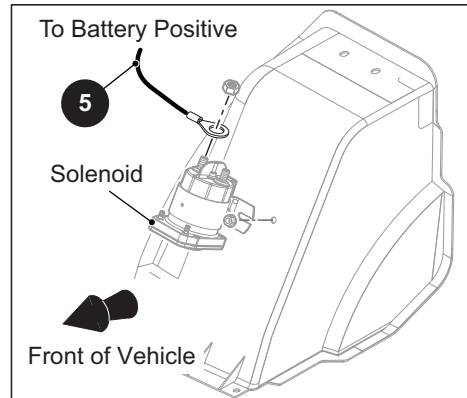
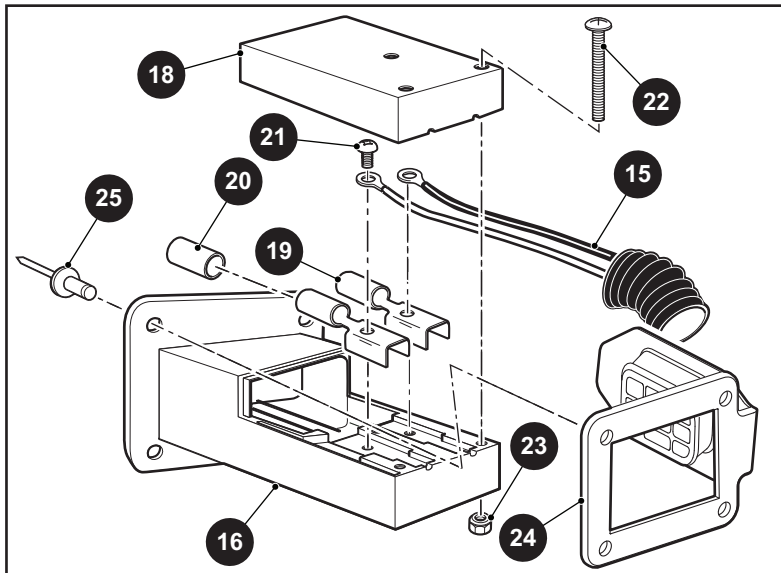
* Indicates a component that is not available as an individual part.

*** Indicates consult Customer Service Department for additional information.

ITEM	PART NO.	1 2 3 4 5	DESCRIPTION	QTY.
1	647050		Battery (12V).....	6
2	652295		Battery (12V) with Hydro	6
3	01101G01		Tie Down Bolt	2
4	11027G1		Flanged Lock Nut, 5/16" - 18	2
5				
6	70386G01		Battery Tie Down Bolt, 5/16" - 18 x 2" Lg	6
7	11027G1		Flanged Lock Nut, 5/16" - 18	6
8				
9				
10	658565		Battery Hold Down	1
11	631988		Battery Hold Down	2
12				
13	689763		Battery Rack	1
14				
15	70200G01		Truss Head Torx Screw, 3/8" - 16 x 3/4" Lg	2
16				
17	00438G6		Hex Head Bolt, 5/16" - 18 x 3/4" Lg, Grade 5	2
18	00559G8		Flat Washer, 5/16"	2
19	11098G6		Lock Nut, 5/16" - 18	2
20				
21	00715G2		Hex Washer Head Bolt, 5/16" - 18 x 3/4" Lg	3
22				
23	631156		Terminal Protector	12
24				
25	620820		Hydro-link Snake Assembly	1
26	630974		Battery Fill Snake	1
27				
28	614521		Regulated Hose, 20ft Kit	1
29	676122		Trojan Hand Pump Kit.....	1



14 Charger Receptacle Assembly includes items 15 - 23



THE USE OF NON U.L. PARTS WILL VOID ANY U.L. LISTING.

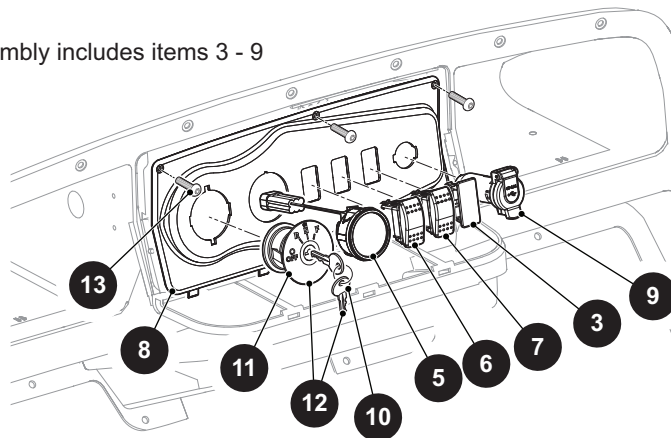
When ordering parts, please specify the model and serial number of the product.

* Indicates a component that is not available as an individual part.

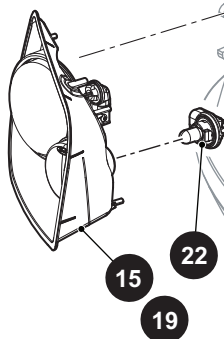
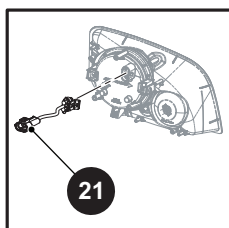
*** Indicates consult Customer Service Department for additional information.

ITEM	PART NO.	1 2 3 4 5	DESCRIPTION	QTY.
1	634270G03		#4 AWG Battery Wire, 15" Lg.....	3
2	634270G01		#4 AWG Battery Wire, 6" Lg.....	2
3	16816G2		Ratchet Rivet, .25" x .887"	1
4				
5	634270G02		#4 AWG Battery Wire, 9" Lg.....	1
6				
7	32860G01		Horn	1
8				
9	613271		Reverse Buzzer.....	1
10	01041G01		Rivet (Aluminum), 5/32"	2
11				
12				
13				
14	658089		Charger Receptacle Assembly (Includes Items 15 - 23)	1
15	658986		Charger Wire Harness	1
16	663285		Charger Receptacle.....	1
17				
18	*		Receptacle Cover	1
19	*		Female Connector	2
20	*		Insulator Sleeve	1
21	*		Brass Screw, #10 - 32 x 1/2" Lg.....	2
22	*		Pan Head Screw (SS), #6 - 32 x 1 3/4" Lg	3
23	*		Lock Nut, #6 - 32.....	3
24	660162		Receptacle Cover	1
25	71055G01		Rivet (Aluminum), 5/32"	4

1 Control Panel Assembly includes items 3 - 9

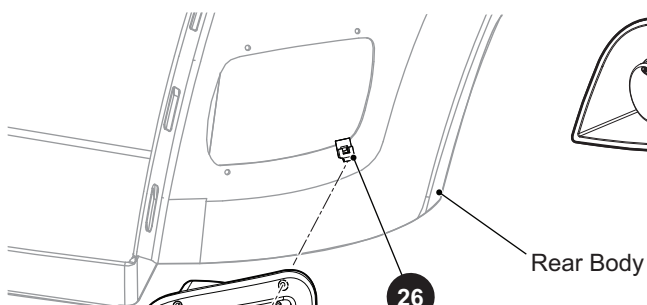


Headlight Assembly

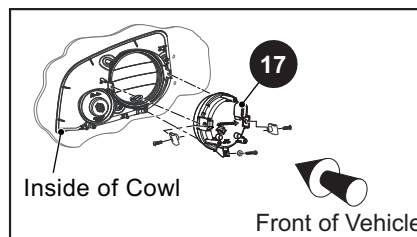
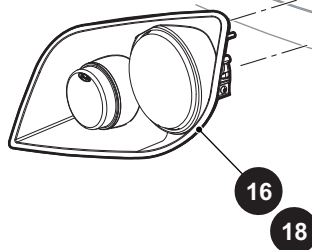


Front of Vehicle

Taillight Assembly

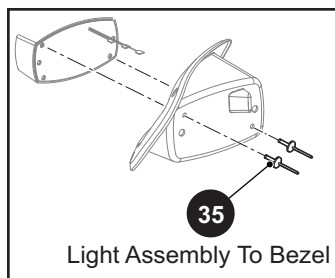
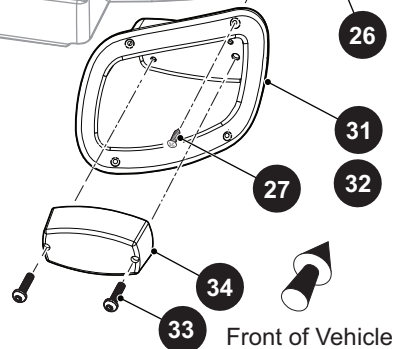


Rear Body



Inside of Cowl

Front of Vehicle



Light Assembly To Bezel

- 15** LED Headlight Assembly, (Driver Side) includes item 17
- 16** LED Headlight Assembly, (Passenger Side) includes item 17
- 29** Taillight Assembly, (Driver Side) includes items 31, 33 - 35
- 30** Taillight Assembly, (Passenger Side) includes items 32 - 35

THE USE OF NON U.L. PARTS WILL VOID ANY U.L. LISTING.

When ordering parts, please specify the model and serial number of the product.

* Indicates a component that is not available as an individual part.

*** Indicates consult Customer Service Department for additional information.

ITEM	PART NO.	1 2 3 4 5	DESCRIPTION	QTY.
1	628708G13		Control Panel Assembly (Includes Items 3 - 9)	1
2				
3	651897G01		Horn Switch	1
4				
5	667014G01		State of Charge Meter	1
6	651897G06		Speed Rocker Switch	1
7	651897G05		Lights Rocker Switch	1
8	626655G06		Control Panel	1
9	651901		12V USB Port	1
10	611282		Common Key Set.....	1
11	611283		Key Switch Set.....	1
12	609692		Key Set and Key Switch.....	1
13	608290		Self Tapping Screw, #10 - 16 x .780" Lg	3
14	71597G01		Self Threading Nut, 5mm x 10mm x 15mm.....	4
15	659008		LED Headlight Assembly (Passenger Side) (Includes Item 17).....	1
16	659009		LED Headlight Assembly (Driver Side) (Includes Item 17).....	1
17	651411G03		LED Headlight	1
18	644877		Headlight Assembly (Driver Side)	1
19	644876		Headlight Assembly (Passenger Side).....	1
20	71781G02		Tape (Vinyl) (Not Illustrated)	1
21	654465		LED Jumper Harness	2
22	619100		Headlight Bulb.....	1
23	619102		Turn Signal Assembly Bulb	1
24	672448		Charger Receptacle Harness (Not Illustrated)	1
25	699417		Jumper Harness, Turn Signal Horn (Not Illustrated)	1
26	71364G02		J-Type Nut, #8.....	4
27	71425G01		Tapping Screw, #8 - 18 x 3/4" Lg	4
28	71781G02		Tape (Vinyl) (Not Illustrated)	1
29	655150		Taillight Assembly (Driver Side) (Includes Items 31, 33 - 35).....	1
30	655152		Taillight Assembly (Passenger Side) (Includes Items 32 - 35)	1
31	625251		Taillight Bezel (Driver Side)	1

ELECTRICAL

THE USE OF NON U.L. PARTS WILL VOID ANY U.L. LISTING.

When ordering parts, please specify the model and serial number of the product.

* Indicates a component that is not available as an individual part.

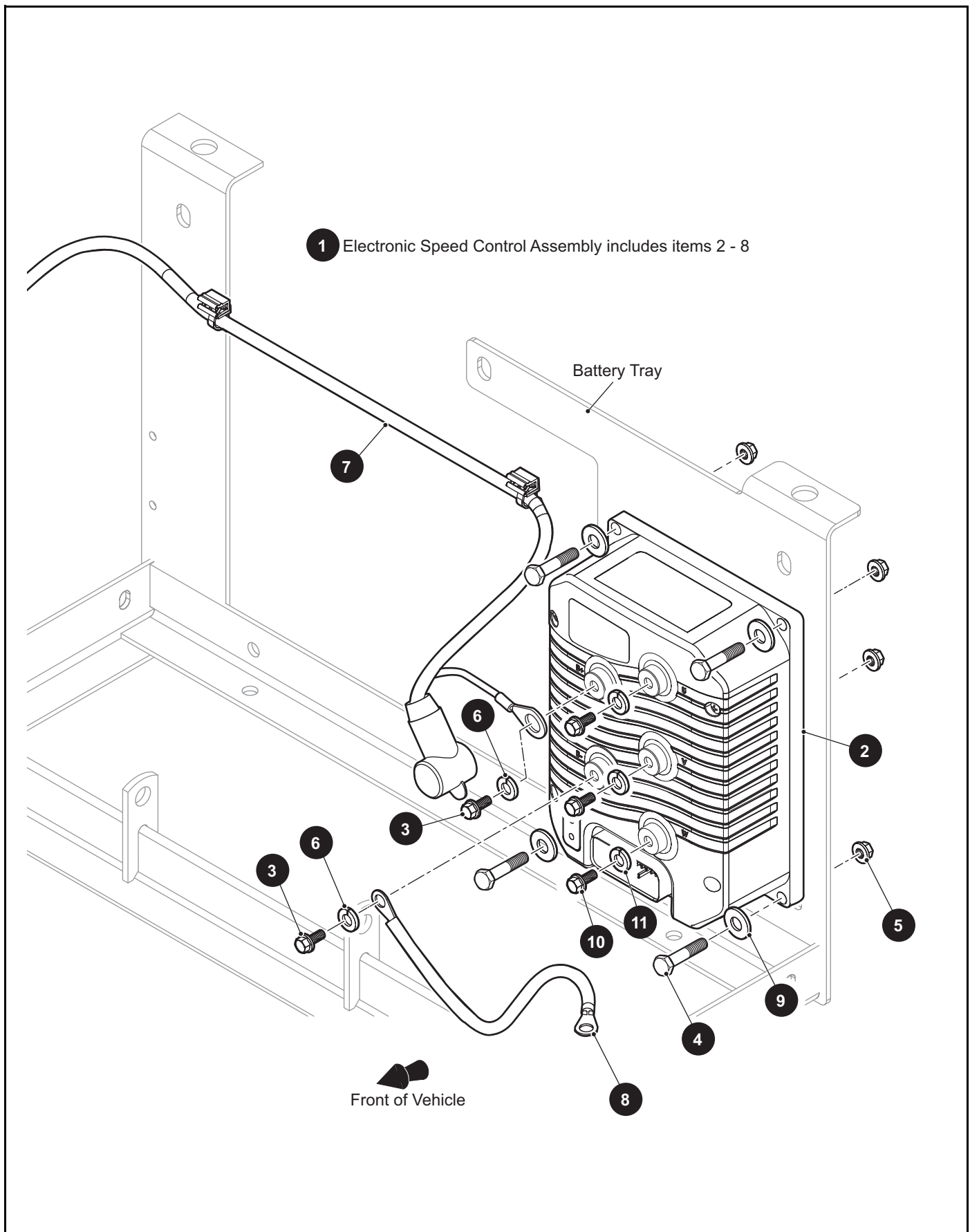
*** Indicates consult Customer Service Department for additional information.

ITEM	PART NO.	1	2	3	4	5	DESCRIPTION	QTY.
32	625252						Taillight Bezel (Passenger Side)	1
33	00513G4						Pan Head Phillips Screw, #8 - 18 x 3/4" Lg.....	2
34	22288G1						Taillight Assembly.....	1
35	14601G11						Rivet (Aluminum), 3/16" x 9/16"	2

Notes:

A large grid of graph paper with 30 columns and 30 rows, intended for handwritten notes.

ELECTRONIC SPEED CONTROL



ELECTRONIC SPEED CONTROL

THE USE OF NON U.L. PARTS WILL VOID ANY U.L. LISTING.

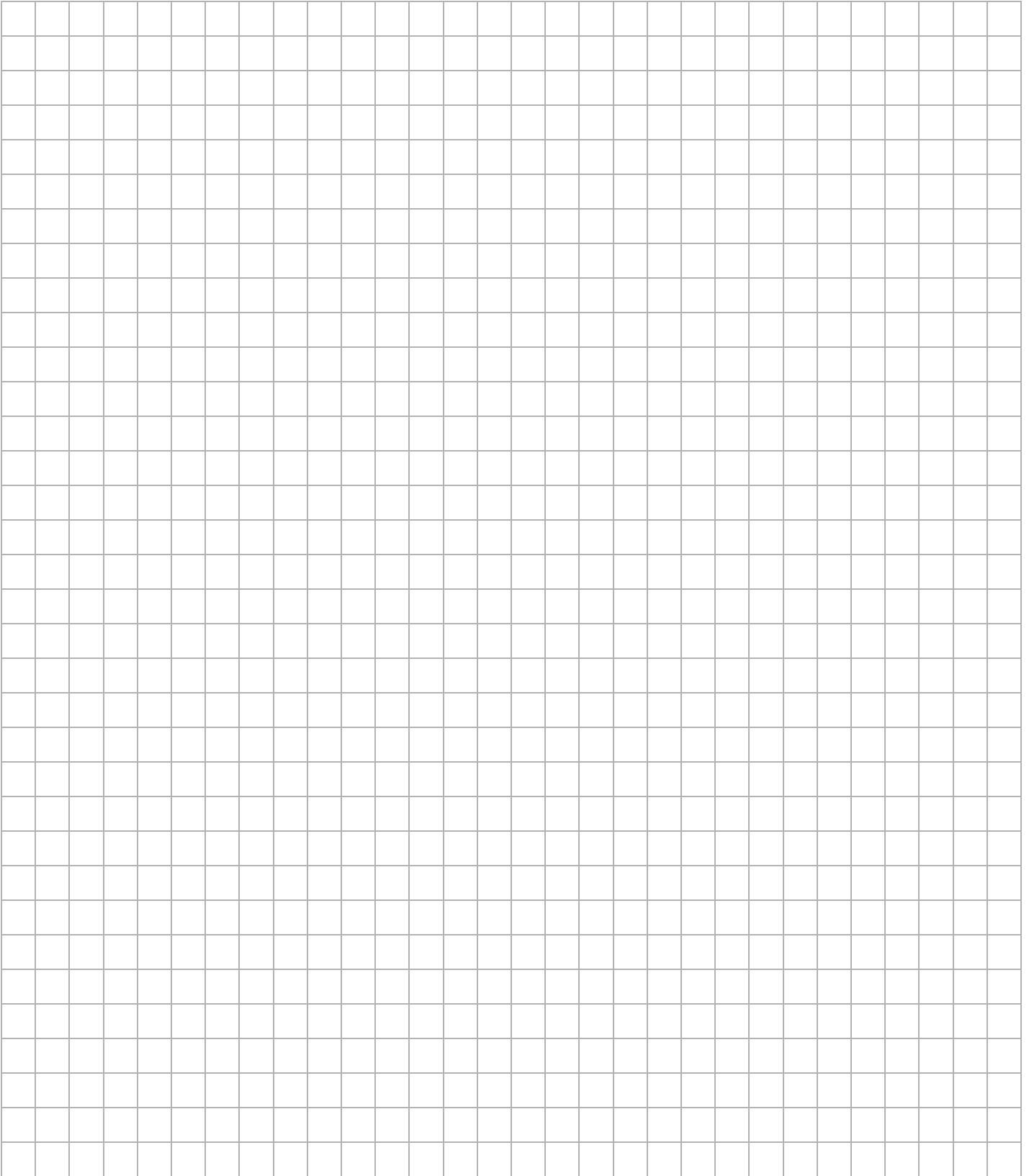
When ordering parts, please specify the model and serial number of the product.

* Indicates a component that is not available as an individual part.

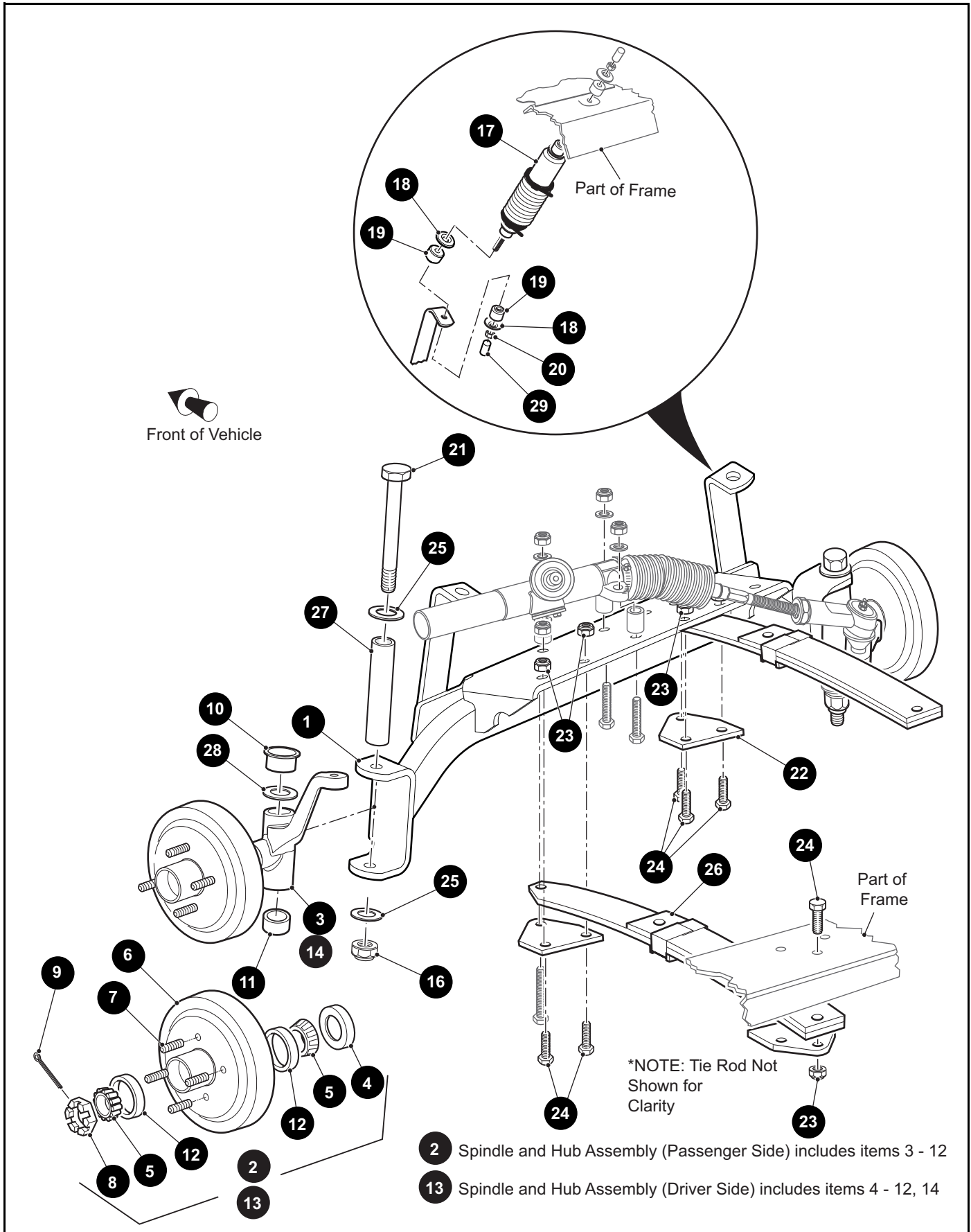
*** Indicates consult Customer Service Department for additional information.

ITEM	PART NO.	1 2 3 4 5	DESCRIPTION	QTY.
1	689763		Electronic Speed Control Assembly (Includes Items 2 - 8)	1
2	672599G011		Controller, 1234SE-AC, 350A.....	1
3	73876G01		Flanged Hex Head Bolt, M6 - 1 x 12mm Lg	2
4	00797G2		Hex Head Bolt, 1/4" - 20 x 1 1/4" Lg, Grade 8.....	4
5	11027G2		Flanged Lock Nut, 1/4" - 20.....	4
6	606272		Lock Washer, 8mm	2
7	634210G13		Battery Wire, #4 AWG, 34" Lg	1
8	634270G04		Battery Wire, #4 AWG, 22" Lg	1
9				
10	73876G01		Flanged Hex Head Bolt, M6 - 1 x 12mm Lg.....	3
11	606272		Lock Washer, 8mm	3

Notes:

A large grid of graph paper for taking notes. The grid consists of 30 columns and 30 rows of small squares, providing a structured area for handwritten text.

FRONT SUSPENSION AND STEERING



FRONT SUSPENSION AND STEERING

THE USE OF NON U.L. PARTS WILL VOID ANY U.L. LISTING.

When ordering parts, please specify the model and serial number of the product.

* Indicates a component that is not available as an individual part.

*** Indicates consult Customer Service Department for additional information.

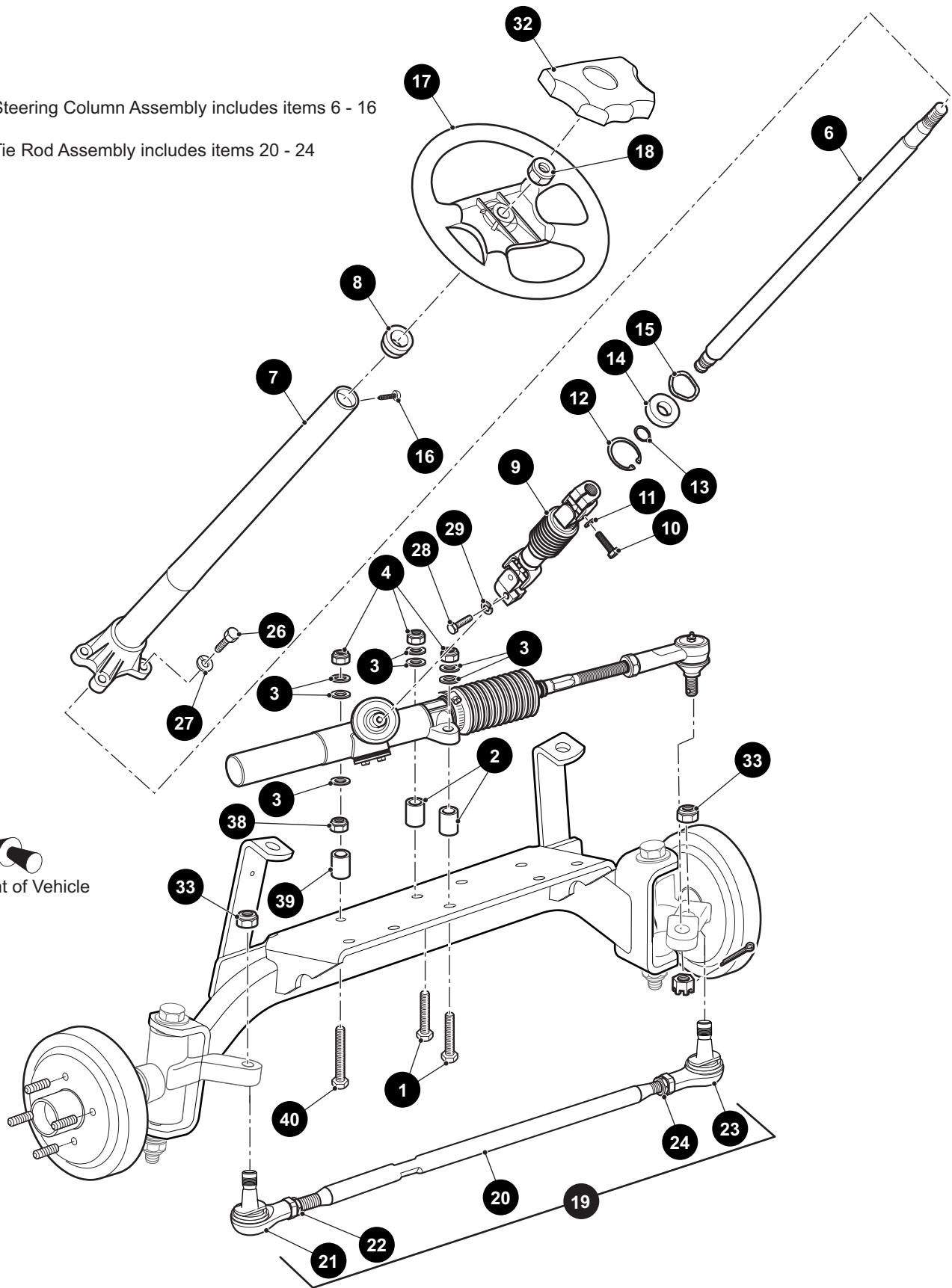
ITEM	PART NO.	1 2 3 4 5	DESCRIPTION	QTY.
1	633795		Front Axle	1
2	70930G02		Spindle and Hub Assembly (Passenger Side) (Includes Items 3 - 12).....	1
3	70802G01		Spindle Assembly (Passenger Side)	1
4	25146G1		Grease Seal.....	1
5	11750G2		Roller Bearing and Race Assembly	2
6	74332G01		Wheel Hub	1
7	36038G01		Drive Flange Stud	4
8	12093G1		Castle Nut, 1" - 14	1
9	00798G8		Cotter Pin, 5/32" x 1 3/4" Lg	1
10	632925		Flanged Bushing.....	1
11	632926		Bushing Sleeve.....	1
12	51141G1		Race Bearing.....	2
13	70931G02		Spindle and Hub Assembly (Driver Side) (Includes Items 4 - 12, 14)	1
14	70803G01		Spindle Assembly (Driver Side)	1
15				
16	14390G6		Lock Nut, 1/2" - 13	1
17	76419G01		Shock Absorber.....	2
18	10435G1		Shock Absorber Washer	4
19	10194G1		Rubber Bushing	4
20	00532G6		Hex Nut, 3/8" - 24.....	2
21	00407G6		King Pin Bolt, 1/2" - 13 x 6" Lg, Grade 5.....	1
22	652258		Spring Plate.....	4
23	00734G1		Lock Nut, 7/16" - 14	11
24	00463G11		Hex Head Bolt, 7/16" - 14 x 1 3/4" Lg, Grade 5	11
25	00560G3		Flat Washer, 1/2"	2
26	70990G03		Leaf Spring.....	2
27	70745G01		King Pin Tube.....	1
28	70754G01		Thrust Washer, (SS), 1"	1
29	10044G01		Vinyl Cap.....	2

FRONT SUSPENSION AND STEERING

5 Steering Column Assembly includes items 6 - 16

19 Tie Rod Assembly includes items 20 - 24

Front of Vehicle



FRONT SUSPENSION AND STEERING

THE USE OF NON U.L. PARTS WILL VOID ANY U.L. LISTING.

When ordering parts, please specify the model and serial number of the product.

* Indicates a component that is not available as an individual part.

*** Indicates consult Customer Service Department for additional information.

ITEM	PART NO.	1 2 3 4 5	DESCRIPTION	QTY.
1	00464G6		Hex Head Bolt, 7/16" - 14 x 2 3/4" Lg, Grade 5	2
2	70667G02		Spacer, 1.21".....	2
3	00560G2		Flat Washer, 7/16".....	7
4	00734G1		Lock Nut, 7/16" - 14	3
5	70758G05		Steering Column Kit (Includes Items 6 - 16)	1
6	70607G01		Steering Shaft.....	1
7	70610G03		Steering Column.....	1
8	28569G01		Steering Column Bushing.....	1
9	70580G01		Intermediate Shaft	1
10	01055G01		Hex Head Bolt, M8 - 1.25 x 1.18" Lg, Grade 5	1
11	00565G8		Lock Washer, 5/16".....	1
12	70751G01		Retaining Ring (Internal).....	1
13	70888G01		Retaining Ring (External)	1
14	15112G1		Ball Bearing	1
15	70887G01		Wave Washer	1
16	01022G01		Hex Washer Head Screw, #6 - 20 x 5/16" Lg	1
17	602980		Steering Wheel (Premium).....	1
18	14390G2		Lock Nut, 5/8" - 18	1
19	70876G02		Tie Rod Assembly (Includes Items 20 - 24)	1
20	70897G02		Threaded Rod, 24" Lg	1
21	70902G01		Tie Rod End (Left Hand Threads).....	1
22	01069G01		Jam Nut, M12 x 1.25 (Left Hand Threads)	1
23	70902G02		Tie Rod End (Right Hand Threads)	1
24	01069G02		Jam Nut, M12 x 1.25 (Right Hand Threads).....	1
25				
26	01006G01		Hex Washer Head Bolt, 3/8" - 16 x 1 1/4" Lg	4
27	00879G1		Lock Washer, 3/8"	4
28	01055G01		Hex Head Bolt, M8 - 1.25 x 1.18" Lg, Grade 5.....	1
29	00565G8		Lock Washer, 5/16"	1
30				
31				

FRONT SUSPENSION AND STEERING

THE USE OF NON U.L. PARTS WILL VOID ANY U.L. LISTING.

When ordering parts, please specify the model and serial number of the product.

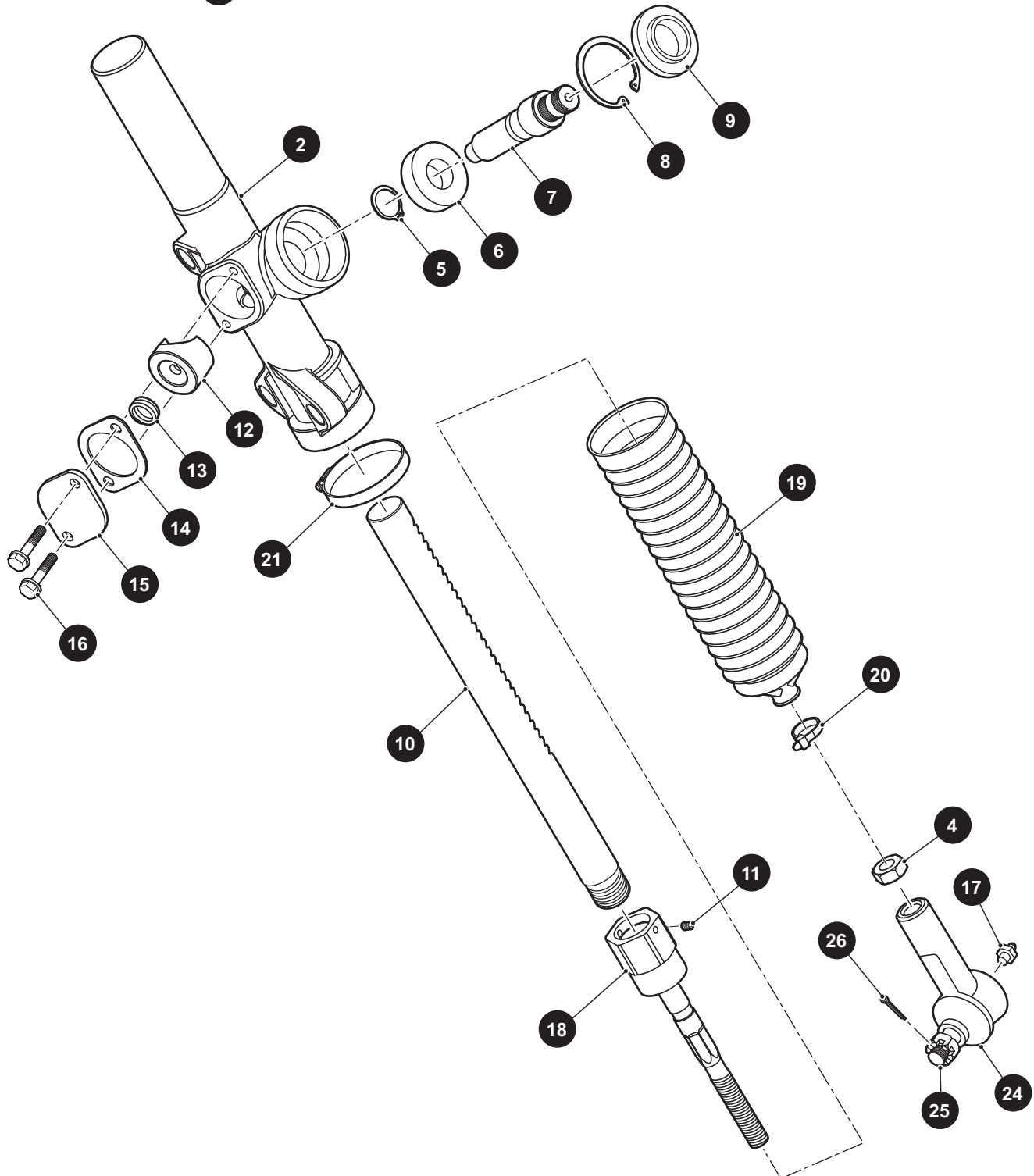
* Indicates a component that is not available as an individual part.

*** Indicates consult Customer Service Department for additional information.

ITEM	PART NO.	1 2 3 4 5	DESCRIPTION	QTY.
32	71147G01		Steering Wheel Cover	1
33	00734G1		Lock Nut, 7/16" - 14	2
34				
35				
36				
37				
38	00532G7		Hex Nut, 7/16" - 14	1
39	70667G04		Spacer, 1" O.D x .469" I.D. x .69" Lg	1
40	01068G01		Hex Head Bolt, 7/16" - 14 x 3.5" Lg, Grade 5	1

FRONT SUSPENSION AND STEERING

- 1** Rack and Pinion Unit includes items 2 - 23
- 23** Tie Rod End (Outer) includes items 24 - 25



FRONT SUSPENSION AND STEERING

THE USE OF NON U.L. PARTS WILL VOID ANY U.L. LISTING.

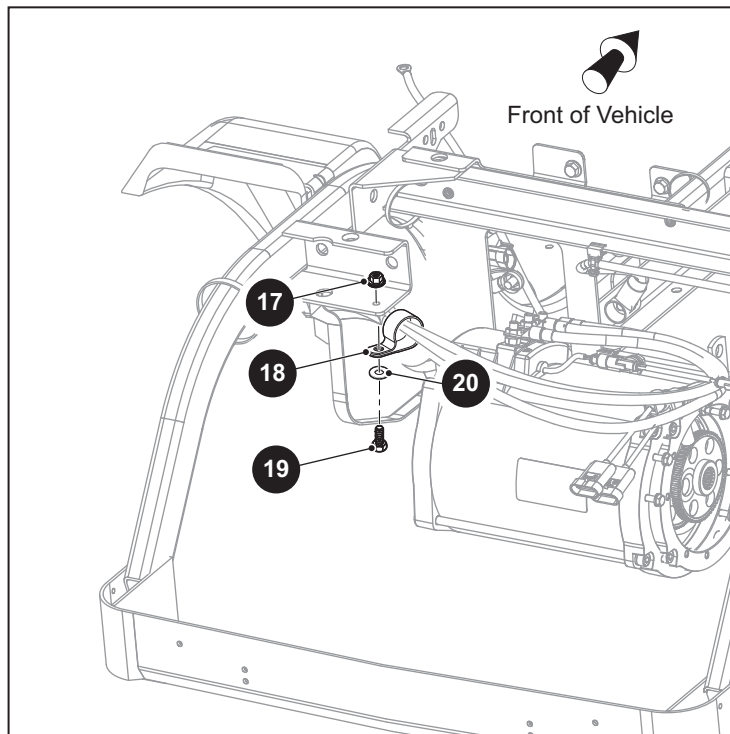
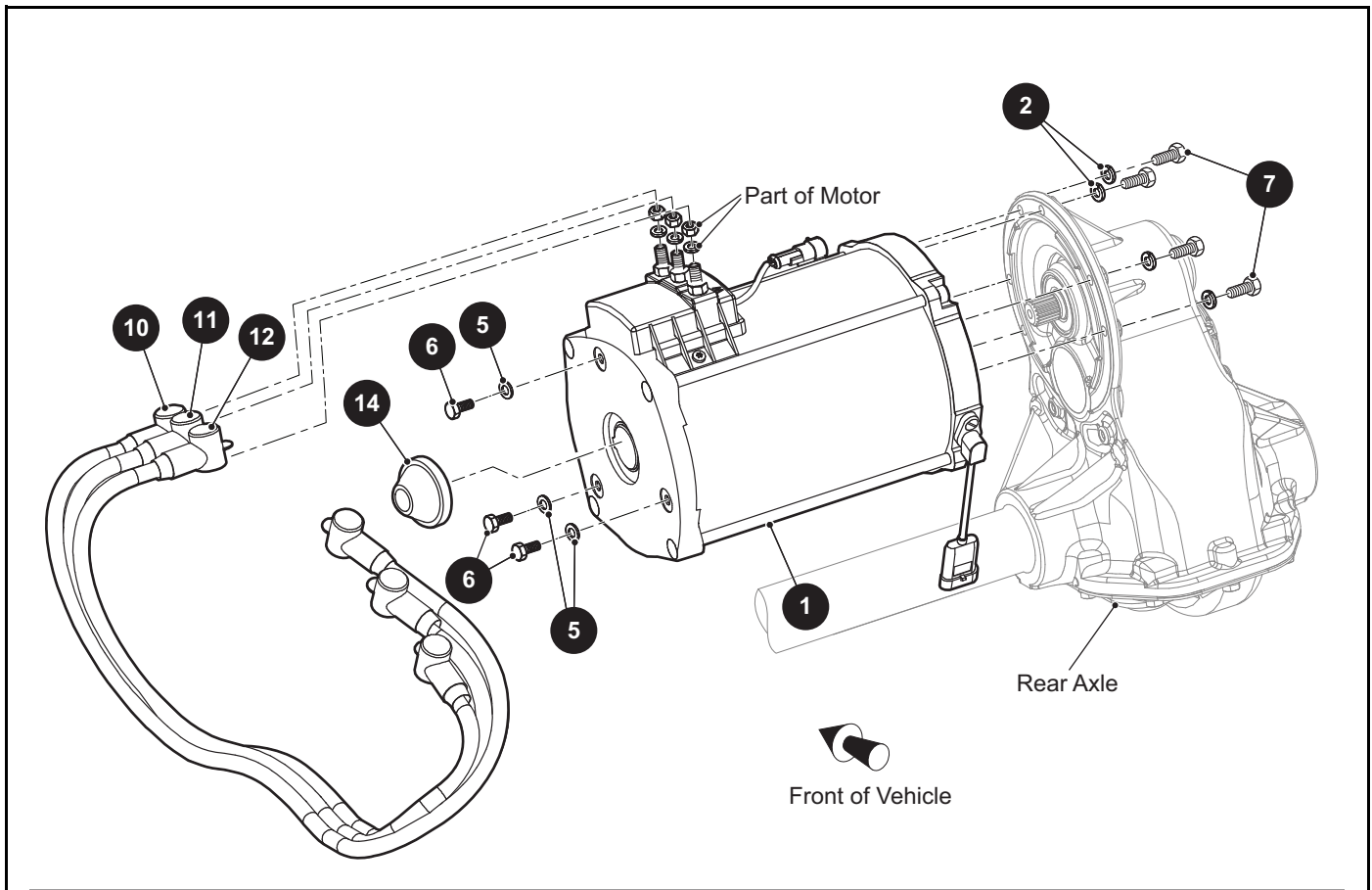
When ordering parts, please specify the model and serial number of the product.

* Indicates a component that is not available as an individual part.

*** Indicates consult Customer Service Department for additional information.

ITEM	PART NO.	1 2 3 4 5	DESCRIPTION	QTY.
1	70964G01		Rack and Pinion Unit (Includes Items 2 - 23).....	1
2	70965G01		Steering Rack Cover and Bearing	1
3				
4	*		Jam Nut, 1/2" - 20.....	1
5	70750G01		Retaining Ring (External)	1
6	15112G1		Ball Bearing	1
7	70603G01		Pinion.....	1
8	70751G01		Retaining Ring (Internal).....	1
9	70638G01		Seal (Pinion)	1
10	70604G01		Steering Rack	1
11	*		Set Screw, #10 - 32 x .25" Lg	1
12	70590G01		Rack Loader	1
13	70666G01		Compression Spring	1
14	70645G01		Gasket (Rack Loader Cover).....	1
15	652259		Cover (Rack Loader)	1
16	71102G01		Hex Washer Head Bolt, 1/4" - 20 x 11/16" Lg, Grade 5.....	2
17	10389G3		Grease Fitting (Straight)	1
18	70694G01		Rod End (Inner)	1
19	70961G01		Rack Boot	1
20	12416G2		Nylon Clamp, 11.8" Lg	1
21	11391G8		Hose Clamp, 1.81".....	1
22				
23	70695G01		Tie Rod End (Outer) (Includes Items 24 - 25).....	1
24	50641G1		Grommet	1
25	*		Hex Slotted Nut, 7/16" - 20	1
26	10387G2		Cotter Pin, 3/32" x 1".....	1

MOTOR



THE USE OF NON U.L. PARTS WILL VOID ANY U.L. LISTING.

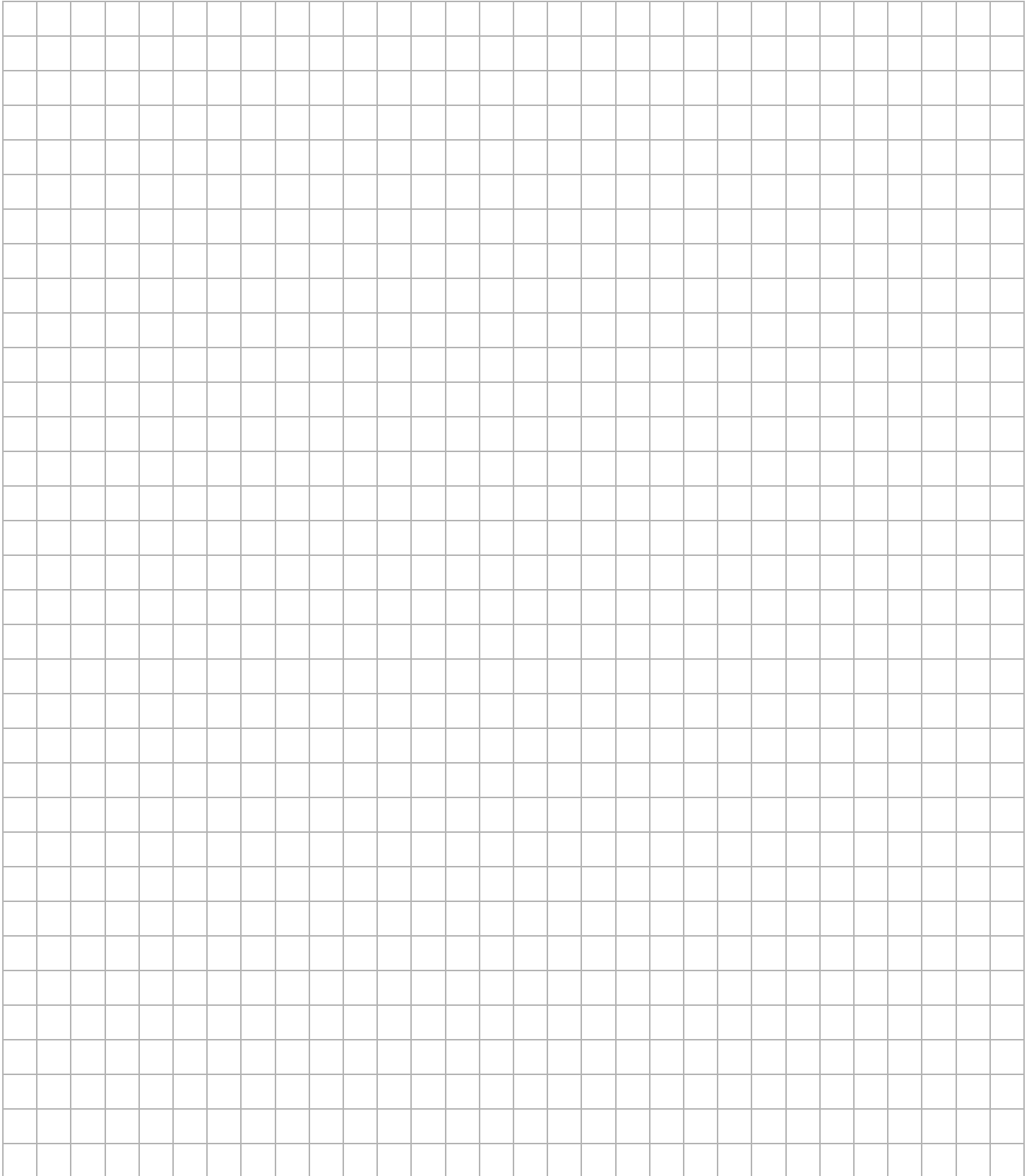
When ordering parts, please specify the model and serial number of the product.

* Indicates a component that is not available as an individual part.

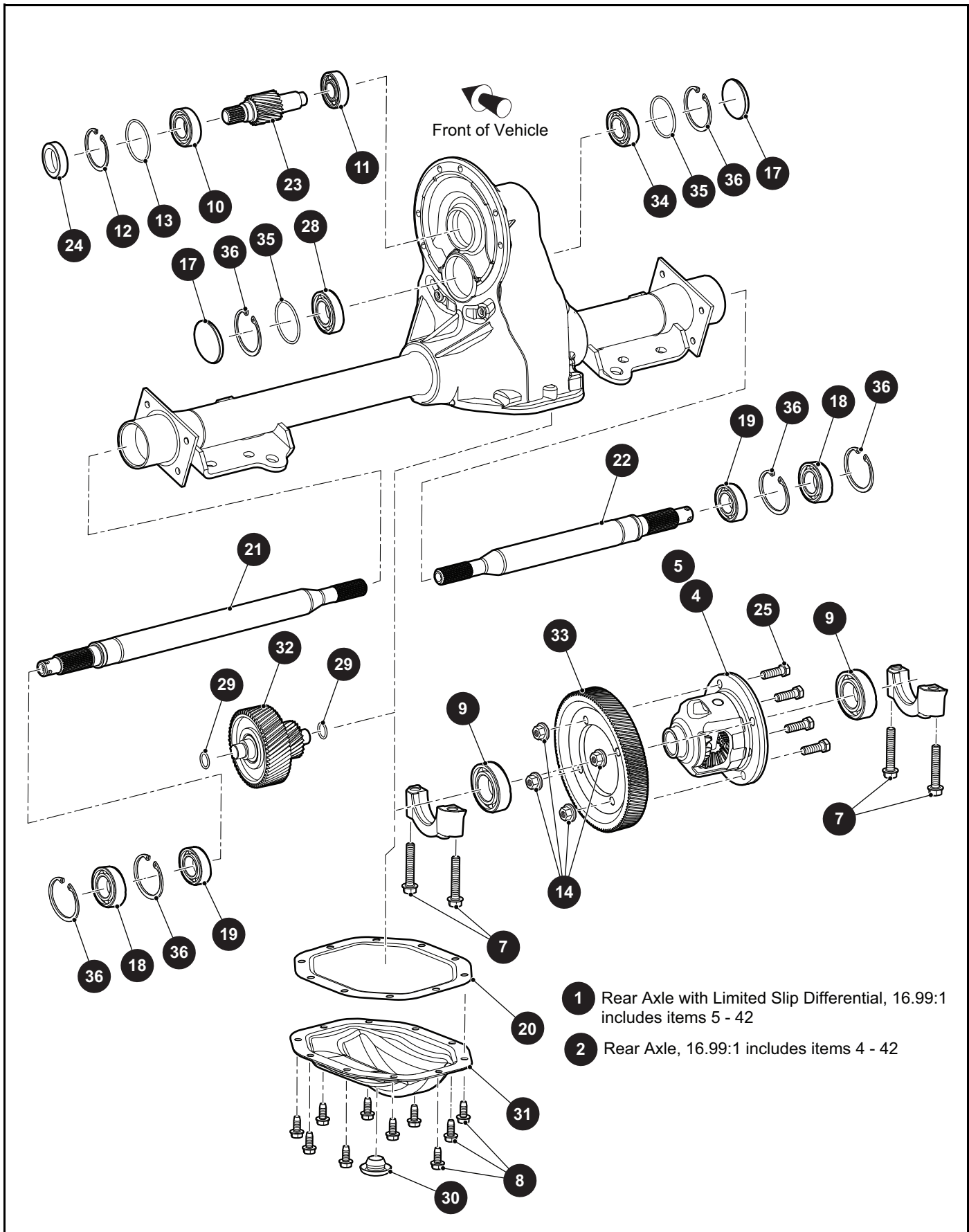
*** Indicates consult Customer Service Department for additional information.

ITEM	PART NO.	1 2 3 4 5	DESCRIPTION	QTY.
1	681071		Motor, 72V.....	1
2	601327		Lock Washer, 6mm	6
3				
4				
5	00915G1		Bonded Seal Washer, 1/4" I.D.	3
6	616716		Hex Head Bolt, M6 - 1 x 16mm Lg.....	3
7	605741		Hex Head Bolt, M6 - 1 x 25mm Lg, Grade 10.9.....	6
8				
9				
10	635137G01		Motor Wire (U), 2AWG, 44".....	1
11	635137G02		Motor Wire (V), 2AWG, 41"	1
12	635137G03		Motor Wire (W), 2AWG, 37"	1
13				
14	668275		End Cap Plug.....	1
15				
16				
17	11027G2		Flanged Lock Nut, 1/4" - 20	1
18	630761		Loop Clamp.....	1
19	00414G7		Hex Head Bolt, 1/4" - 20 x 7/8" Lg, Grade 5	1
20	00559G7		Flat Washer, 1/4".....	1

Notes:

A large grid of graph paper for taking notes. The grid is composed of 20 columns and 30 rows of small squares, providing a structured area for handwritten information.

REAR AXLE



THE USE OF NON U.L. PARTS WILL VOID ANY U.L. LISTING.

When ordering parts, please specify the model and serial number of the product.

* Indicates a component that is not available as an individual part.

*** Indicates consult Customer Service Department for additional information.

ITEM	PART NO.	1 2 3 4 5	DESCRIPTION	QTY.
1	633600		Rear Axle with Limited Slip Differential, 16.99:1 (Includes Items 5 - 42).....	1
2	633599		Rear Axle, 16.99:1 (Includes Items 4 - 42).....	1
3				
4	601082		Differential Assembly	1
5	614059		Limited Slip Differential with CC Clutch	1
6				
7	15118G1		Hex Head Bolt, 3/8" - 16 x 2.125" Lg.....	4
8	15558G1		Hex Head Bolt, 5/16" - 18 x .75" Lg.....	10
9	17473G1		Bearing Assembly.....	2
10	23519G2		Ball Bearing Single Lip Seal	1
11	23520G1		Ball Bearing	1
12	23530G1		Retainer Ring.....	1
13	24628G1		O-ring Seal	1
14	601084		Lock Nut, 3/8" - 24	4
15				
16				
17	608811		End Cap.....	2
18	611788		Ball Bearing	2
19	612064		Oil Seal	2
20	612824		Gasket	1
21	617608		Axle Shaft (Driver Side).....	1
22	617609		Axle Shaft (Passenger Side)	1
23	620327		Input Gear.....	1
24	620328		Oil Seal	1
25	620335		Hex Head Bolt, 3/8" - 24 x 1.25" Lg.....	4
26				
27				
28	620340		Ball Bearing	1
29	620345		O-ring, 18mm.....	2
30	620347		Rubber Plug.....	1
31	620348		Differential Cover Plate.....	1

REAR AXLE

THE USE OF NON U.L. PARTS WILL VOID ANY U.L. LISTING.

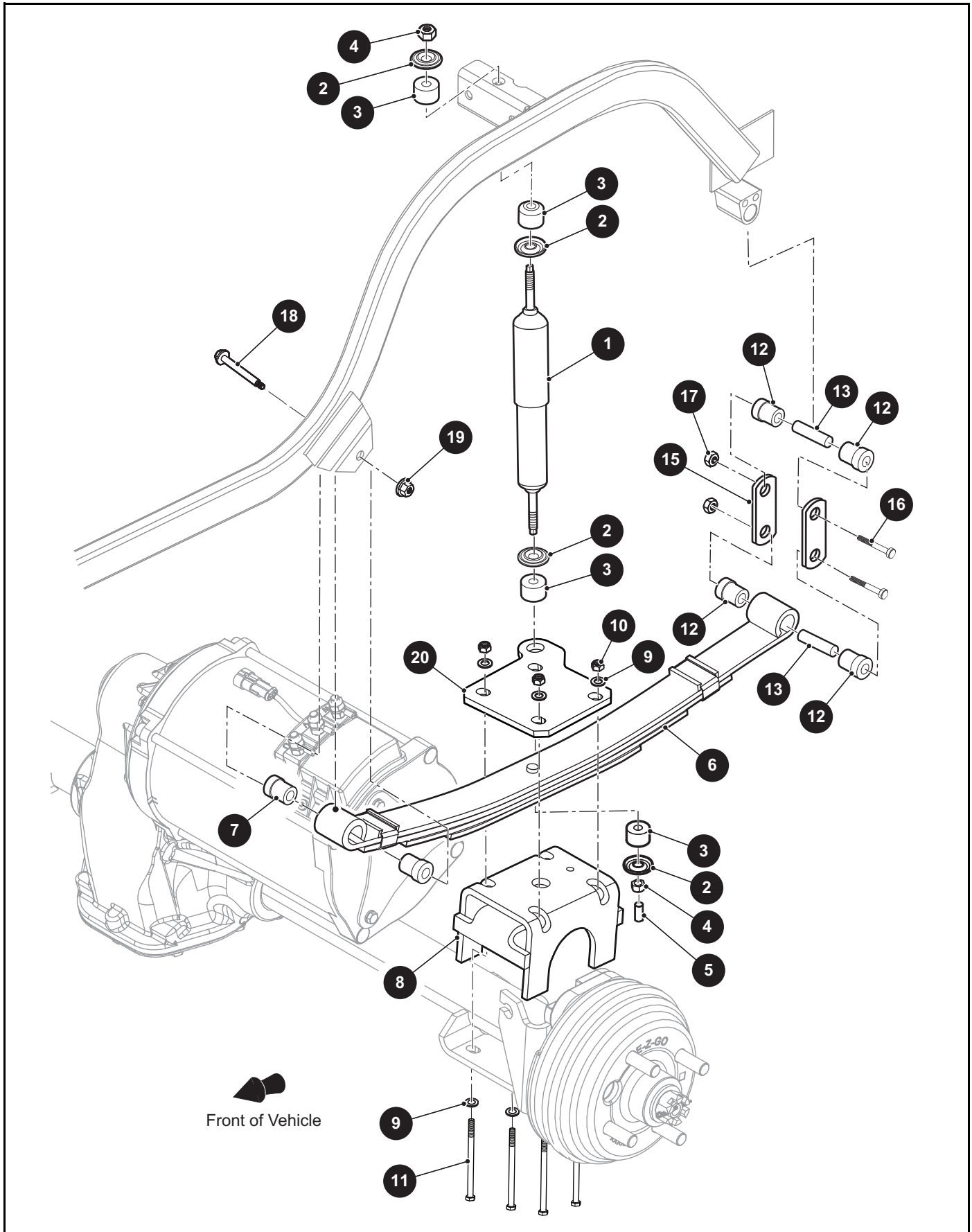
When ordering parts, please specify the model and serial number of the product.

* Indicates a component that is not available as an individual part.

*** Indicates consult Customer Service Department for additional information.

ITEM	PART NO.	1	2	3	4	5	DESCRIPTION	QTY.
32	620349						Intermediate Gear Assembly.....	1
33	620350						Drive Gear.....	1
34	620355						Ball Bearing.....	1
35	620358						O-ring, 18mm.....	2
36	620359						Retaining Ring.....	6
37								
38								
39	620329						Input Gears Kit (Not Illustrated).....	1
40	620361						Internal Gears Kit (Not Illustrated).....	1
41	620362						Ball Bearing Kit (Not Illustrated).....	1
42	620363						Differential Cover Assembly Kit (Not Illustrated).....	1

REAR SUSPENSION



REAR SUSPENSION

THE USE OF NON U.L. PARTS WILL VOID ANY U.L. LISTING.

When ordering parts, please specify the model and serial number of the product.

* Indicates a component that is not available as an individual part.

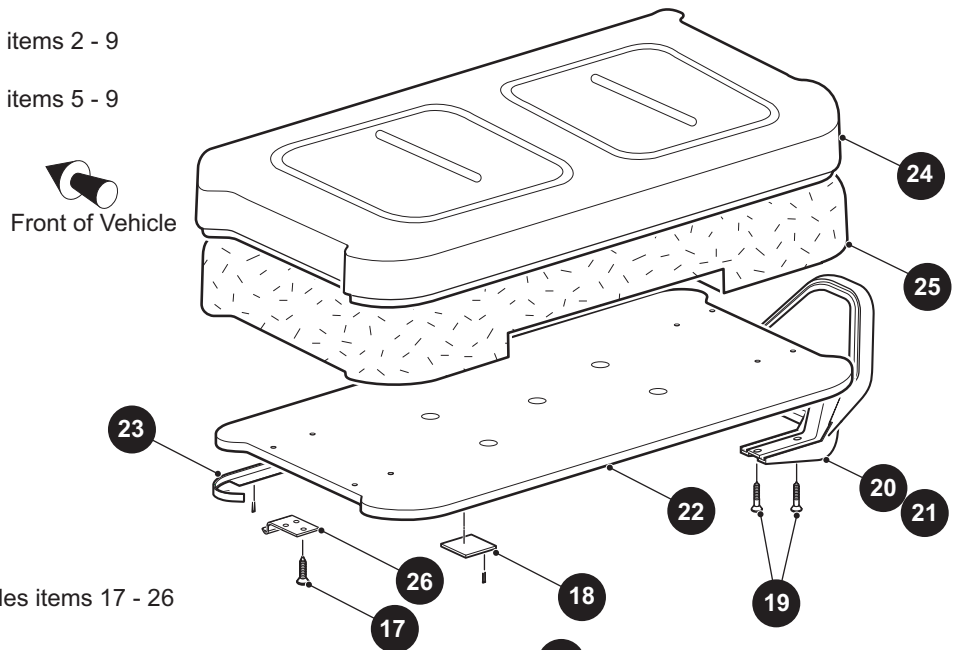
*** Indicates consult Customer Service Department for additional information.

ITEM	PART NO.	1 2 3 4 5	DESCRIPTION	QTY.
1	642085		Shock Absorber.....	2
2	10435G1		Shock Absorber Washer, I.D. .406" x O.D. 1.25"	4
3	10194G1		Rubber Bushing	4
4	00532G6		Hex Nut, 3/8" - 24.....	2
5	10044G01		Vinyl Cap.....	1
6	667990		Leaf Spring.....	2
7	624030		Flanged Bushing	2
8	652708G03		Lift Bracket	1
9	00560G1		Flat Washer, 3/8".....	8
10	11098G5		Lock Nut, 3/8" - 16	4
11	00430G12		Hex Head Bolt, 3/8" - 16 x 5 1/2" Lg, Grade 5	4
12	624030		Flanged Bushing	4
13	70289G02		Split Spacer (Steel), I.D. .376" x O.D. 1" x 1" Lg.....	2
14				
15	652245		Shackle Plate	2
16	00665G9		Hex Head Bolt (SS), 3/8" - 16 x 3 1/2" Lg	2
17	11098G5		Lock Nut, 3/8" - 16	2
18	14158G1		Shoulder Bolt, 1/2" Dia x 3/8" - 16 Thread x 3 1/4" Lg	1
19	12262G1		Flanged Lock Nut, 3/8" - 16	1
20	605977		Rear Suspension Plate	1

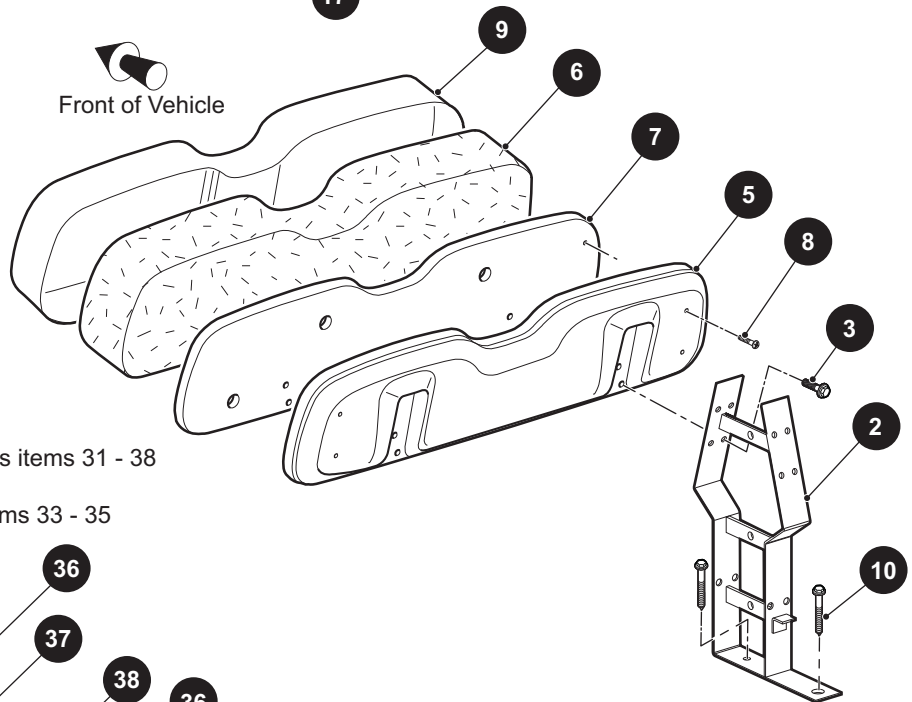
SEATING

1 Seat Back Assembly includes items 2 - 9

4 Seat Back Assembly includes items 5 - 9

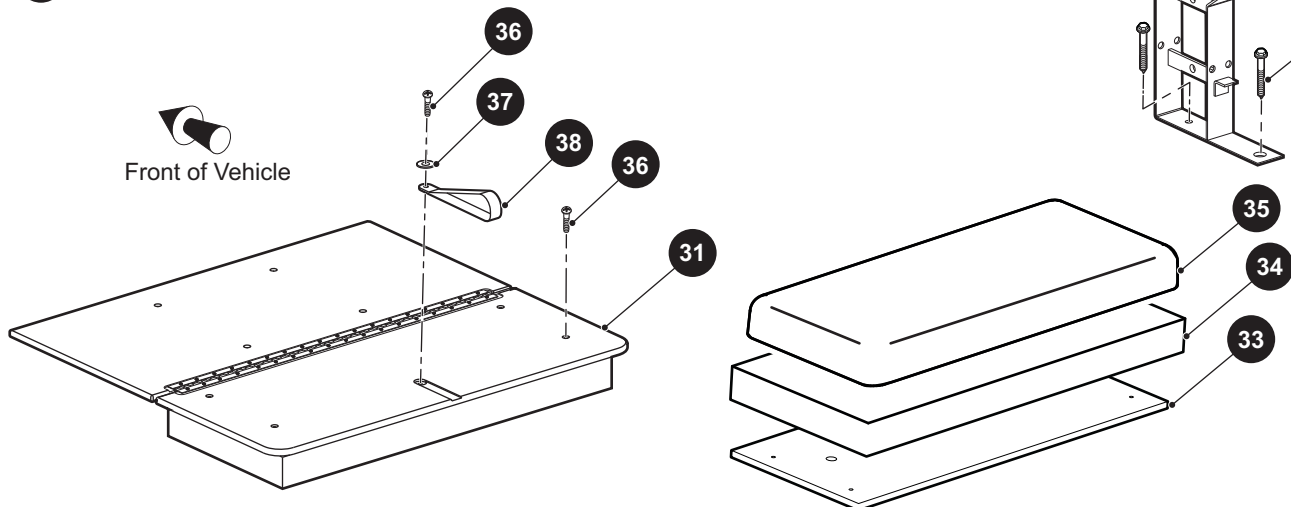


16 Seat Bottom Assembly includes items 17 - 26



30 Flip Seat Bottom Assembly includes items 31 - 38

32 Seat Bottom Assembly includes items 33 - 35



THE USE OF NON U.L. PARTS WILL VOID ANY U.L. LISTING.

When ordering parts, please specify the model and serial number of the product.

* Indicates a component that is not available as an individual part.

*** Indicates consult Customer Service Department for additional information.

ITEM	PART NO.	1 2 3 4 5	DESCRIPTION	QTY.
1	***		Seat Back Assembly (Includes Items 2 - 9)..... 632818G01 Oyster 632818G03 Tan 632818G04 Gray 632818G06 Black 632818G07 Brown 632818G09 White/Blue 632818G10 Red/Black 632818G11 White/Red 632818G12 White/Black 632818G13 White/Yellow 632818G14 Gray/Black 632818G15 Oyster/Garnet	1
2	634178		Support Weldment.....	1
3	71204G01		Hex Washer Head Bolt with Patch Lock, 1/4" - 20 x .875" Lg	4
4	***		Seat Back Assembly (Includes Items 5 - 9)..... 71751G02 Gray 71751G03 Oyster 71751G04 Tan 71751G06 Brown 71751G07 Black 604908 White/Blue 606828 Red/Black 604907 White/Red 615838 White/Black 620794 White/Yellow 620796 Gray/Black 615837 Oyster/Garnet	2
5	71752G01		Cover (Plastic).....	1
6	71754G01		Padding (Foam)	1
7	645021		Base Assembly	1
8	01107G01		Pan Head Torx Screw, #8 x .63" Lg.....	4
9	***		Vinyl Cover..... 71753G02 Gray 71753G03 Oyster 71753G04 Tan 71753G06 Brown 71753G07 Black 604916G0304 Red/Black 604916G0103 White/Red 604916G0102 White/Blue 604916G0108 White/Yellow 604916G0704 Gray/Black 604916G0104 White/Black 604916G0506 Oyster/Garnet	1

SEATING

THE USE OF NON U.L. PARTS WILL VOID ANY U.L. LISTING.

When ordering parts, please specify the model and serial number of the product.

* Indicates a component that is not available as an individual part.

*** Indicates consult Customer Service Department for additional information.

ITEM	PART NO.	1 2 3 4 5	DESCRIPTION	QTY.
10	01006G01		Hex Washer Head Thread Forming Screw, 3/8" - 16 x 1.25" Lg	2
11				
12				
13				
14				
15				
16	***		Seat Bottom Assembly (Includes Items 17 - 26)..... 629269G0101 Oyster 629269G0103 Tan 629269G0104 Gray 629269G0106 Black 629269G0107 Brown 629269G0109 White/Blue 629269G0110 Red/Black 629269G0111 White/Red 629269G0112 White/Black 629269G0113 White/Yellow 629269G0114 Gray/Black 629269G0115 Oyster/Garnet	1
17	00720G08		Flat Head Phillips Tapping Screw, #12 - 14 x 1" Lg.....	6
18	17074G1		Soiling Slab	2
19	615417		Button Head Torx Bolt, M10 - 1.5 x 25mm Lg	4
20	617644		Hip Restraint (Passenger Side).....	1
21	617645		Hip Restraint (Driver Side)	1
22	645492		Base	1
23	71012G01		Trim (Polypropylene).....	1
24	***		Vinyl Cover	1
			71602G02 Gray 71602G03 Oyster 71602G04 Tan 71602G06 Black 71602G07 Brown 604912G0102 White/Blue 604912G0103 White/Red 604912G0104 White/Black 604912G0108 White/Yellow 604912G0304 Red/Black 604912G0506 Oyster/Garnet 604912G0704 Gray/Black	
25	71603G02		Padding (Foam)	1

THE USE OF NON U.L. PARTS WILL VOID ANY U.L. LISTING.

When ordering parts, please specify the model and serial number of the product.

* Indicates a component that is not available as an individual part.

*** Indicates consult Customer Service Department for additional information.

ITEM	PART NO.	1 2 3 4 5	DESCRIPTION	QTY.
26	71610G01		Seat Hinge	2
27				
28				
29				
30	***		Flip Seat Bottom Assembly (Includes Item 31 - 38) 628058G01 Oyster 628058G03 Tan 628058G04 Gray 628058G06 Black 628058G07 Brown 628058G09 White/Blue 628058G10 Red/Black 628058G11 White/Red 628058G12 White/Black 628058G13 White/Yellow 628058G14 Gray/Black 628058G15 Oyster/Garnet	1
31	634190		Deck Board Assembly	1
32	***		Seat Bottom Assembly (Includes Item 33 - 35) 632837G01 Oyster 632837G03 Tan 632837G04 Gray 632837G06 Black 632837G07 Brown 632837G09 White/Blue 632837G10 Red/Black 632837G11 White/Red 632837G12 White/Black 632837G13 White/Yellow 632837G14 Gray/Black 632837G15 Oyster/Garnet	1
33	645820		Seat Bottom	1
34	617401		Seat Bottom (Foam)	1
35	***		Seat Bottom (Vinyl) 617893 Brown 615648 Black 617892 Gray 615647 Tan 615646 Oyster 611125 White/Blue 611135 Red/Black 611126 White/Red 611130 White/Black 611127 White/Yellow	1

SEATING

THE USE OF NON U.L. PARTS WILL VOID ANY U.L. LISTING.

When ordering parts, please specify the model and serial number of the product.

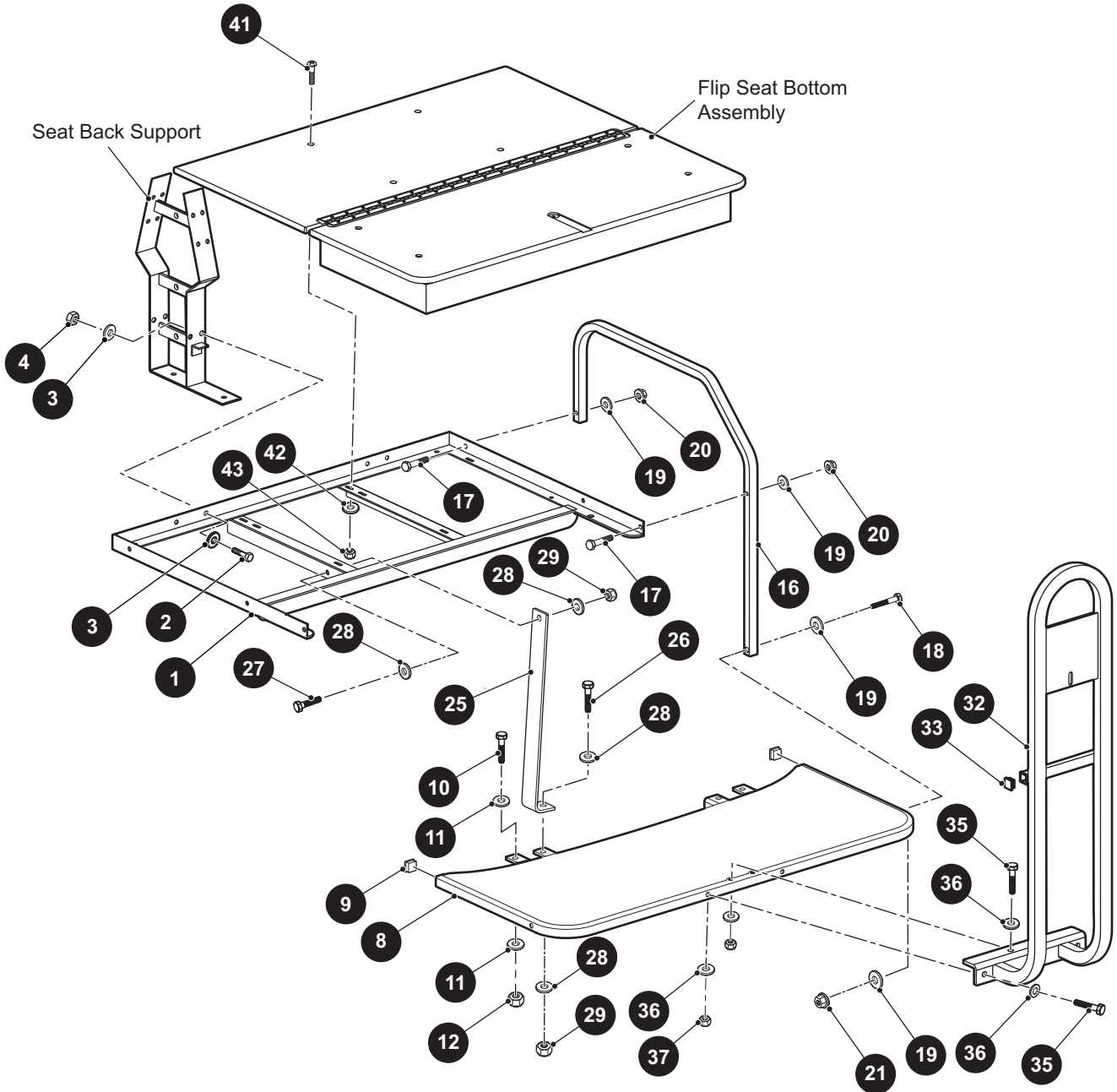
* Indicates a component that is not available as an individual part.

*** Indicates consult Customer Service Department for additional information.

ITEM	PART NO.	1	2	3	4	5	DESCRIPTION	QTY.
							611137 Gray/Black 611136 Oyster/Ruby	
36	16705G1						Truss Head Phillips Screw (SS), 1/4" - 20 x 1" Lg.....	5
37	00559G7						Flat Washer, 1/4"	1
38	617402						Seat Strap	1



31 Rear Flip Seat Handrail Kit includes items 32 - 37



THE USE OF NON U.L. PARTS WILL VOID ANY U.L. LISTING.

When ordering parts, please specify the model and serial number of the product.

* Indicates a component that is not available as an individual part.

*** Indicates consult Customer Service Department for additional information.

ITEM	PART NO.	1 2 3 4 5	DESCRIPTION	QTY.
1	634180		Seat Frame Weldment	1
2	00427G2		Hex Head Bolt, 3/8" - 16 x 1.25" Lg, Grade 5	1
3	614221		Flat Washer, 3/8"	2
4	11098G5		Lock Nut, 3/8" - 16	1
5				
6				
7				
8	634179		Footrest Weldment.....	1
9	19853G1		Square Tube Cap, 1"	1
10	00427G6		Hex Head Bolt, 3/8" - 16 x 1.25" Lg, Grade 5	1
11	614221		Flat Washer, 3/8"	2
12	11098G5		Lock Nut, 3/8" - 16	1
13				
14				
15				
16	634175		Rear Seating Armrest.....	1
17	00427G4		Hex Head Bolt, 3/8" - 16 x 1.25" Lg, Grade 5	2
18	00428G8		Hex Head Bolt, 3/8" - 16 x 2.25" Lg	1
19	614221		Flat Washer, 3/8"	4
20	11027G5		Flanged Lock Nut, 3/8" - 16	2
21	11098G5		Lock Nut, 3/8" - 16	2
22				
23				
24				
25	634174		Seat Frame Support.....	1
26	00427G4		Hex Head Bolt, 3/8" - 16 x 1.5" Lg, Grade 5	1
27	00427G2		Hex Head Bolt, 3/8" - 16 x 1.25" Lg, Grade 5	1
28	614221		Flat Washer, 3/8"	4
29	11098G5		Lock Nut, 3/8" - 16	2
30				

SEATING

THE USE OF NON U.L. PARTS WILL VOID ANY U.L. LISTING.

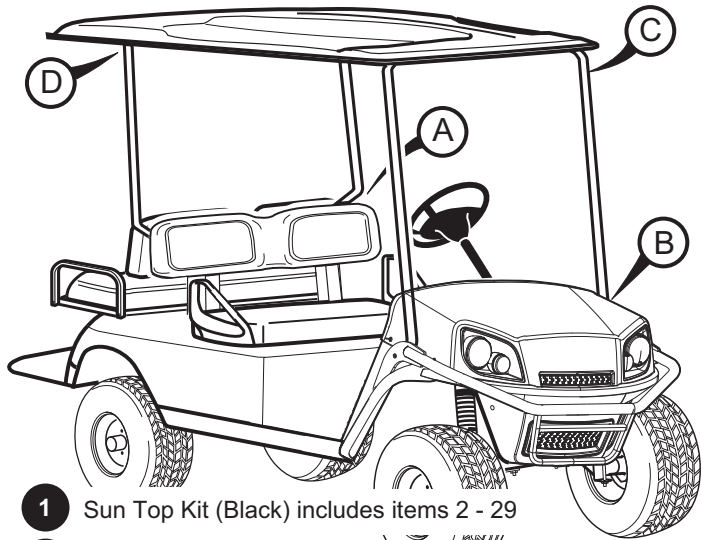
When ordering parts, please specify the model and serial number of the product.

* Indicates a component that is not available as an individual part.

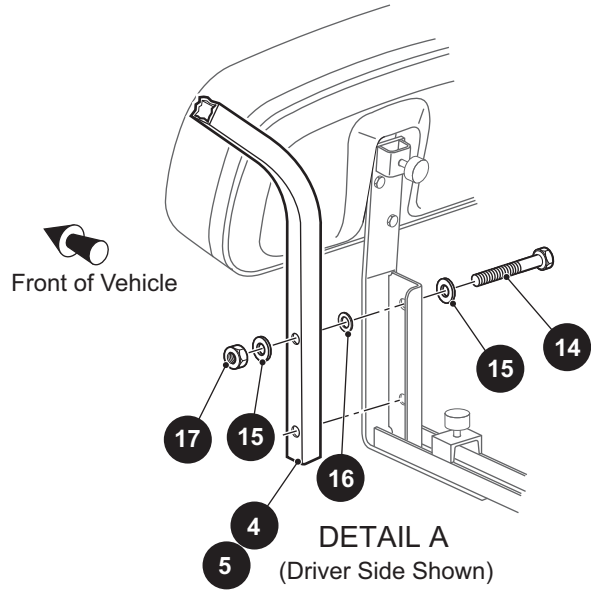
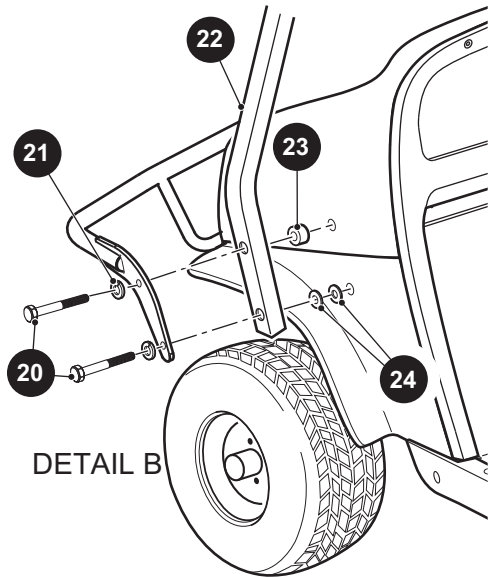
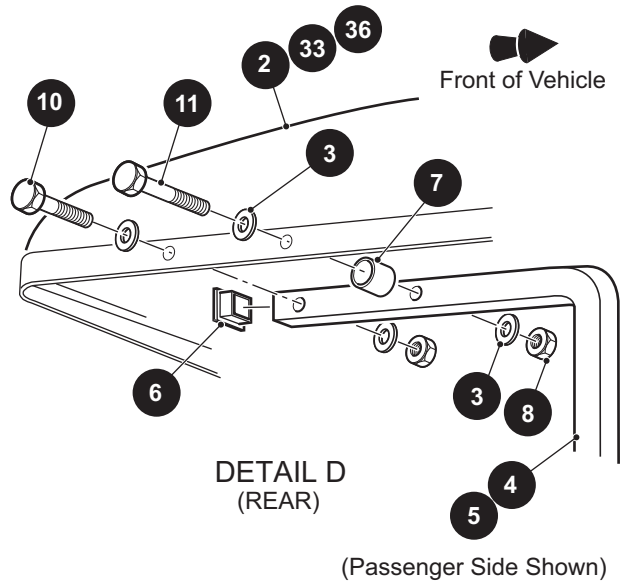
*** Indicates consult Customer Service Department for additional information.

ITEM	PART NO.	1	2	3	4	5	DESCRIPTION	QTY.
31	634184						Rear Flip Seat Handrail Kit (Includes Items 32 - 37)	1
32	634185						Footrest Handle Weldment	1
33	19859G1						Square Tube Cap, 3/4"	2
34								
35	00427G8						Hex Head Bolt, 3/8" - 16 x 2" Lg, Grade 5	4
36	614221						Flat Washer, 3/8"	8
37	11098G5						Lock Nut, 3/8" - 16	4
38								
39								
40								
41	16705G9						Truss Head Phillips Screw (SS), 1/4" - 20 x 1.25" Lg	4
42	00559G7						Flat Washer, 1/4"	4
43	14390G4						Lock Nut, 1/4" - 20	4

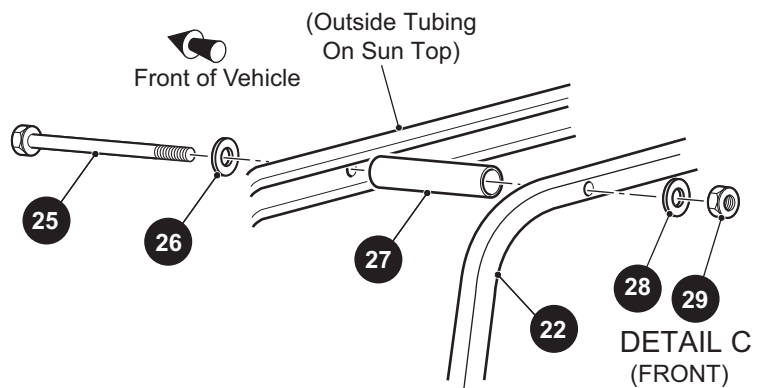
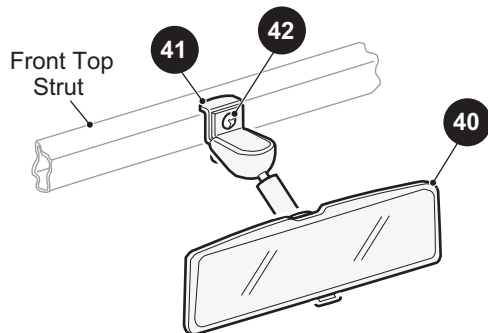
WEATHER PROTECTION



- 1** Sun Top Kit (Black) includes items 2 - 29
- 32** Sun Top Kit (White) includes items 3 - 29, 33
- 35** Sun Top Kit (Tan) includes items 3 - 29, 36



- 39** Rear View Mirror Kit includes items 40 - 42



WEATHER PROTECTION

THE USE OF NON U.L. PARTS WILL VOID ANY U.L. LISTING.

When ordering parts, please specify the model and serial number of the product.

* Indicates a component that is not available as an individual part.

*** Indicates consult Customer Service Department for additional information.

ITEM	PART NO.	1 2 3 4 5	DESCRIPTION	QTY.
1	606260		Sun Top Kit (Black), 80" Lg (Includes Items 2 - 29).....	1
2	606937		Sun Top	1
3	00679G1		Flat Washer (SS), 3/8"	4
4	602743		Rear Strut (Driver Side)	1
5	602741		Rear Strut (Passenger Side)	1
6	19853G1		End Cap, 1 Sq"	1
7	24647G1		Spacer, 1/4"	1
8	00891G5		Lock Nut, 3/8" - 16	2
9				
10	00665G6		Hex Head Bolt (SS), 3/8" - 16 x 2" Lg.....	1
11	00665G3		Hex Head Bolt (SS), 3/8" - 16 x 2 1/2" Lg.....	1
12				
13				
14	00665G5		Hex Head Bolt (SS), 3/8" - 16 x 1 3/4" Lg.....	2
15	00679G1		Flat Washer (SS), 3/8"	4
16	00771G5		Nylon Washer, 3/8"	2
17	00891G5		Lock Nut, 3/8" - 16	2
18				
19				
20	00440G2		Hex Head Bolt, 5/16" - 18 x 2 1/4" Lg, Grade 5.....	2
21	00565G8		Lock Washer, 5/16".....	2
22	75125G01		Front Strut.....	1
23	75048G01		Spacer, 1/2"	1
24	00879G1		Flat Washer, 3/8"	2
25	00674G8		Hex Head Bolt, 3/8" - 16 x 5" Lg.....	1
26	00679G1		Flat Washer (SS), 3/8"	1
27	18716G1		Spacer	1
28	00653G1		Flat Washer (SS), 3/8"	1
29	00891G5		Lock Nut, 3/8" - 16	1
30				
31				

WEATHER PROTECTION

THE USE OF NON U.L. PARTS WILL VOID ANY U.L. LISTING.

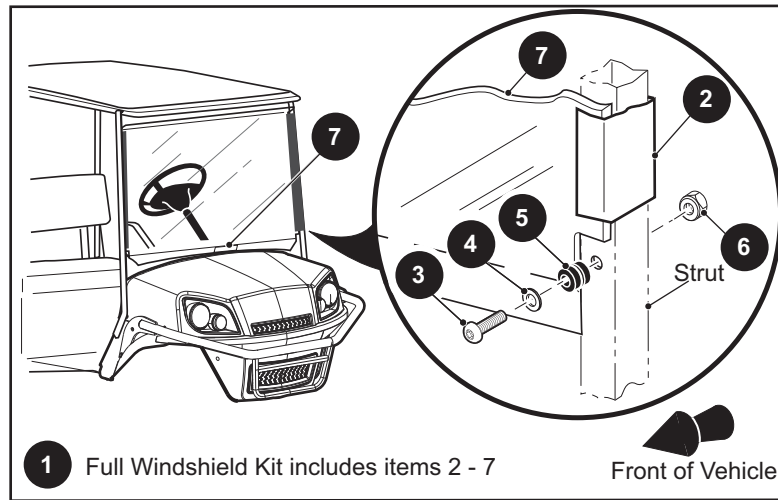
When ordering parts, please specify the model and serial number of the product.

* Indicates a component that is not available as an individual part.

*** Indicates consult Customer Service Department for additional information.

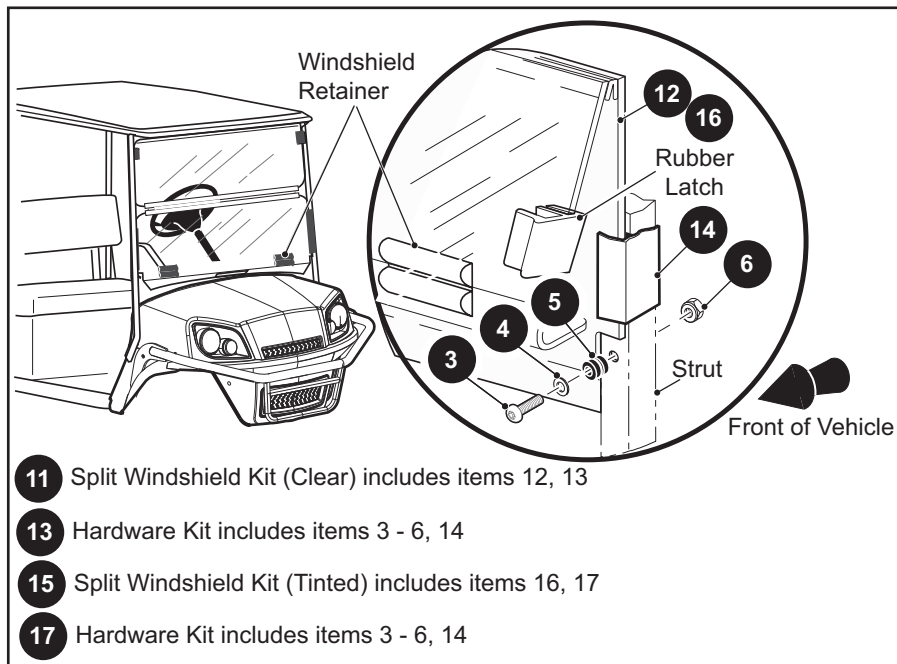
ITEM	PART NO.	1 2 3 4 5	DESCRIPTION	QTY.
32	603119		Sun Top Kit (White), 80" Lg (Includes Items 3 - 29, 33).....	1
33	27604G01		Sun Top.....	1
34				
35	603120		Sun Top Kit (Tan), 80" Lg (Includes 3 - 29, 36).....	1
36	602672		Sun Top.....	1
37				
38				
39	19528G2		Rear View Mirror Kit (Includes Items 40 - 42).....	1
40	19496G1		Mirror.....	1
41	19502G2		Support Bracket.....	1
42	19527G1		Pan Head Screw, #8 - 32 x 5/8" Lg.....	1

WEATHER PROTECTION



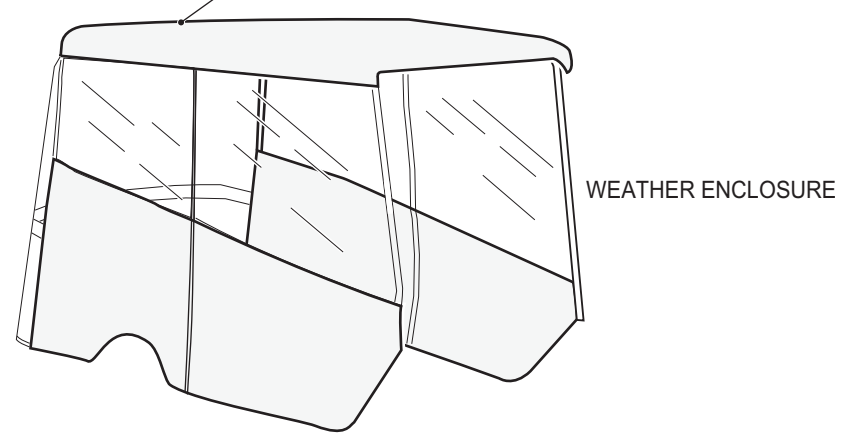
1 Full Windshield Kit includes items 2 - 7

Front of Vehicle



- 11** Split Windshield Kit (Clear) includes items 12, 13
- 13** Hardware Kit includes items 3 - 6, 14
- 15** Split Windshield Kit (Tinted) includes items 16, 17
- 17** Hardware Kit includes items 3 - 6, 14

19 20 21 22 23 24 25 26 27 28 29 30



WEATHER PROTECTION

THE USE OF NON U.L. PARTS WILL VOID ANY U.L. LISTING.

When ordering parts, please specify the model and serial number of the product.

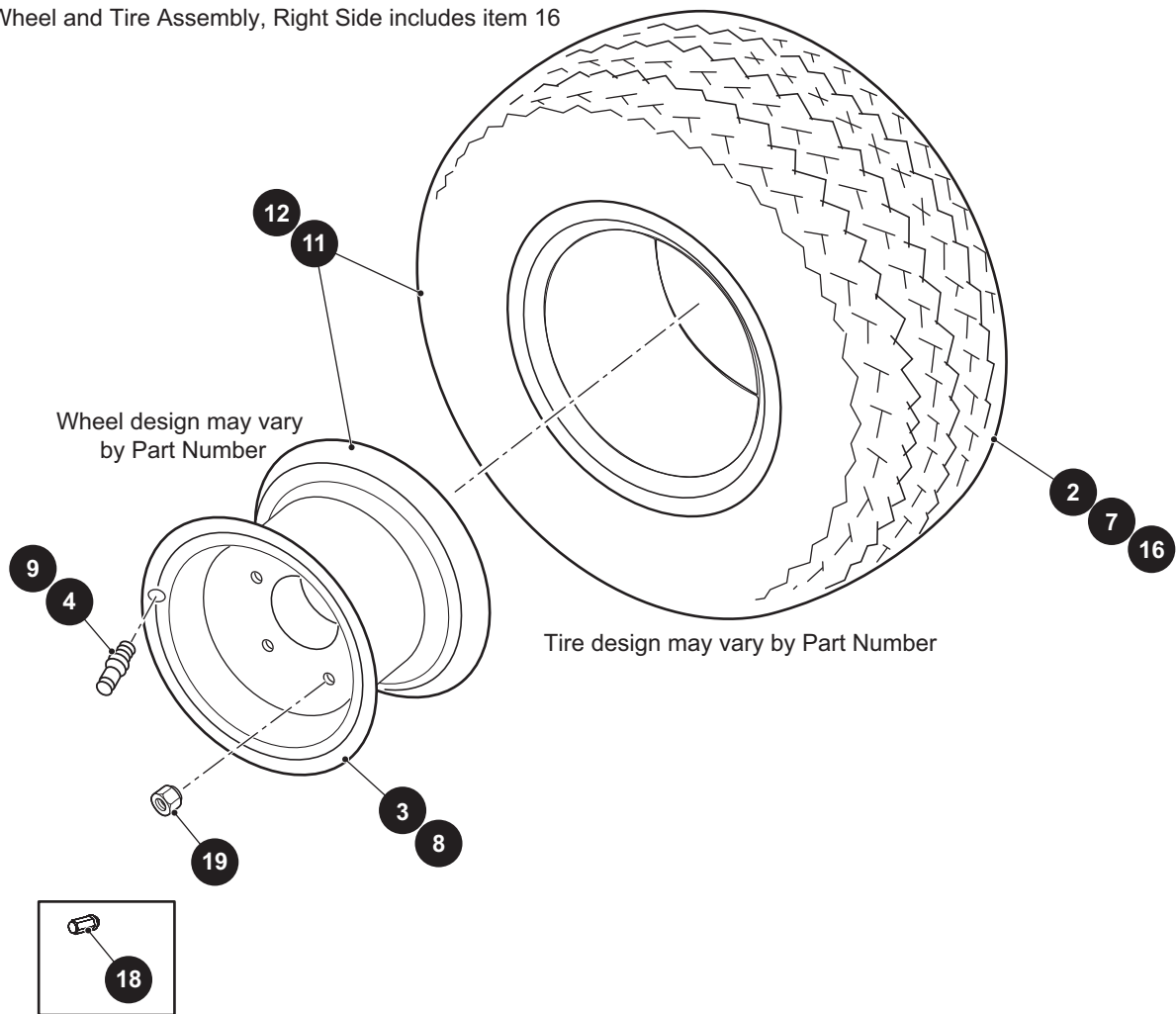
* Indicates a component that is not available as an individual part.

*** Indicates consult Customer Service Department for additional information.

ITEM	PART NO.	1 2 3 4 5	DESCRIPTION	QTY.
1	71966G03		Full Windshield Kit (Includes Items 2 - 7).....	1
2	615662		Sash, 26" Lg	2
3	*		Hex Head Bolt (SS), 1/4" - 20 x 1 3/4" Lg.....	2
4	*		Flat Washer (SS), 1/4"	4
5	*		Rubber Grommet.....	2
6	*		Lock Nut (SS), 1/4" - 20.....	2
7	71960G01		Full Windshield	1
8				
9	601379		Rear View Mirror Kit (Not Illustrated)	1
10				
11	71966G05		Split Windshield Kit (Clear) (Includes Items 12, 13).....	1
12	630012		Split Windshield (Clear)	1
13	71956G05		Hardware Kit (Includes Items 3 - 6, 14)	1
14	615661		Sash, 12" Lg.....	2
15	71966G06		Split Windshield Kit (Tinted) (Includes Items 16, 17)	1
16	630013		Split Windshield (Tinted).....	1
17	71956G05		Hardware Kit (Includes Items 3 - 6, 14)	1
18				
19	605119		Weather Enclosure (Tan)	1
20	605120		Weather Enclosure (Oyster).....	1
21	605121		Weather Enclosure (Hunter Green)	1
22	605122		Weather Enclosure (Pacific Blue)	1
23	605123		Weather Enclosure (Capri).....	1
24	605125		Weather Enclosure (Hemlock Tweed).....	1
25	605126		Weather Enclosure (Burgundy).....	1
26	605127		Weather Enclosure (Linen Tweed).....	1
27	605128		Weather Enclosure (Tuscan).....	1
28	605130		Weather Enclosure (Charcoal Tweed)	1
29	605131		Weather Enclosure (Jockey Red)	1
30	605132		Weather Enclosure (Mediterranean Blue).....	1

WHEELS AND TIRES

- 1 Wheel and Tire Assembly, Kenda includes items 2 - 4
- 6 Wheel and Tire Assembly, Kenda includes items 7 - 9
- 14 Wheel and Tire Assembly, Left Side includes item 16
- 15 Wheel and Tire Assembly, Right Side includes item 16



WHEELS AND TIRES

THE USE OF NON U.L. PARTS WILL VOID ANY U.L. LISTING.

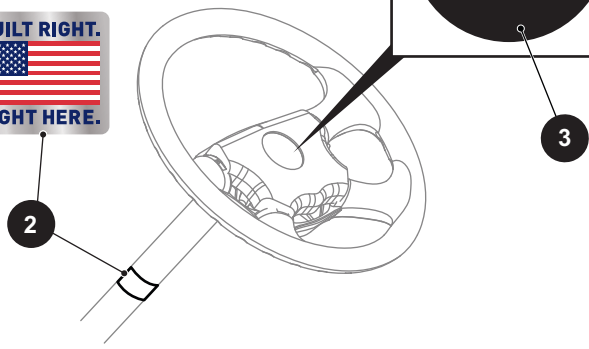
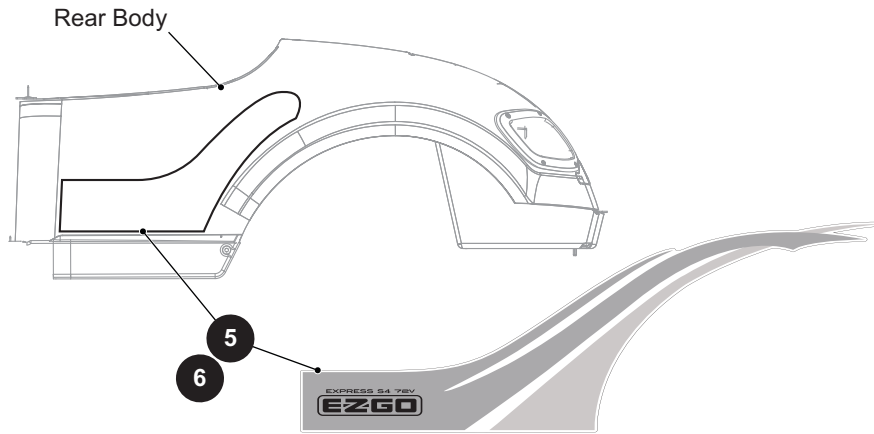
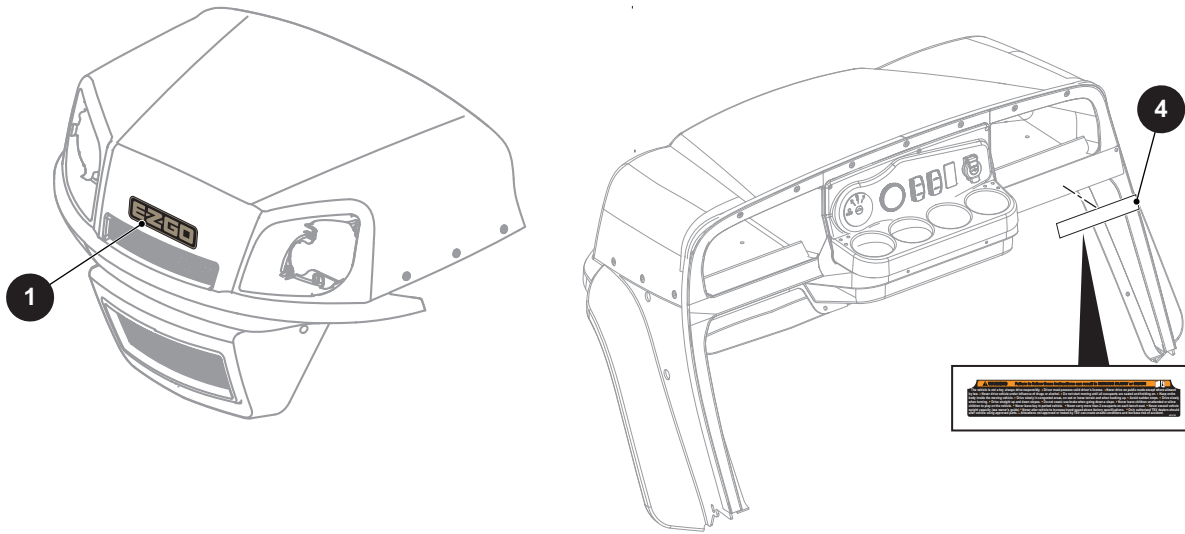
When ordering parts, please specify the model and serial number of the product.

* Indicates a component that is not available as an individual part.

*** Indicates consult Customer Service Department for additional information.

ITEM	PART NO.	1 2 3 4 5	DESCRIPTION	QTY.
1	652263		Wheel and Tire Assembly, Kenda (Includes Items 2 - 4).....	1
2	652986		Tire, 20" x 8" - 10".....	1
3	643934		Wheel, 10" x 6".....	1
4	643948		Valve Stem.....	1
5				
6	652392		Wheel and Tire Assembly, Kenda (Includes Items 7 - 9).....	1
7	652992		Tire, 205/65.....	1
8	643934		Wheel, 10" x 6".....	1
9	643948		Valve Stem.....	1
10				
11	671955G01		Wheel and Tire Assembly, Left Side, Desert Eagle.....	1
12	671955G02		Wheel and Tire Assembly, Right Side, Desert Eagle.....	1
13				
14	74842G03		Wheel and Tire Assembly, Left Side, Trail Wolf (Includes Item 16).....	1
15	74842G04		Wheel and Tire Assembly, Right Side, Trail Wolf (Includes Item 16).....	1
16	74842G05		Tire, 20" x 11" - 10".....	1
17				
18	605310		Lug Nut (Chrome).....	4
19	14723G1		Lug Nut, 1/2" - 20.....	4

DECALS AND LABELS



DECALS AND LABELS

THE USE OF NON U.L. PARTS WILL VOID ANY U.L. LISTING.

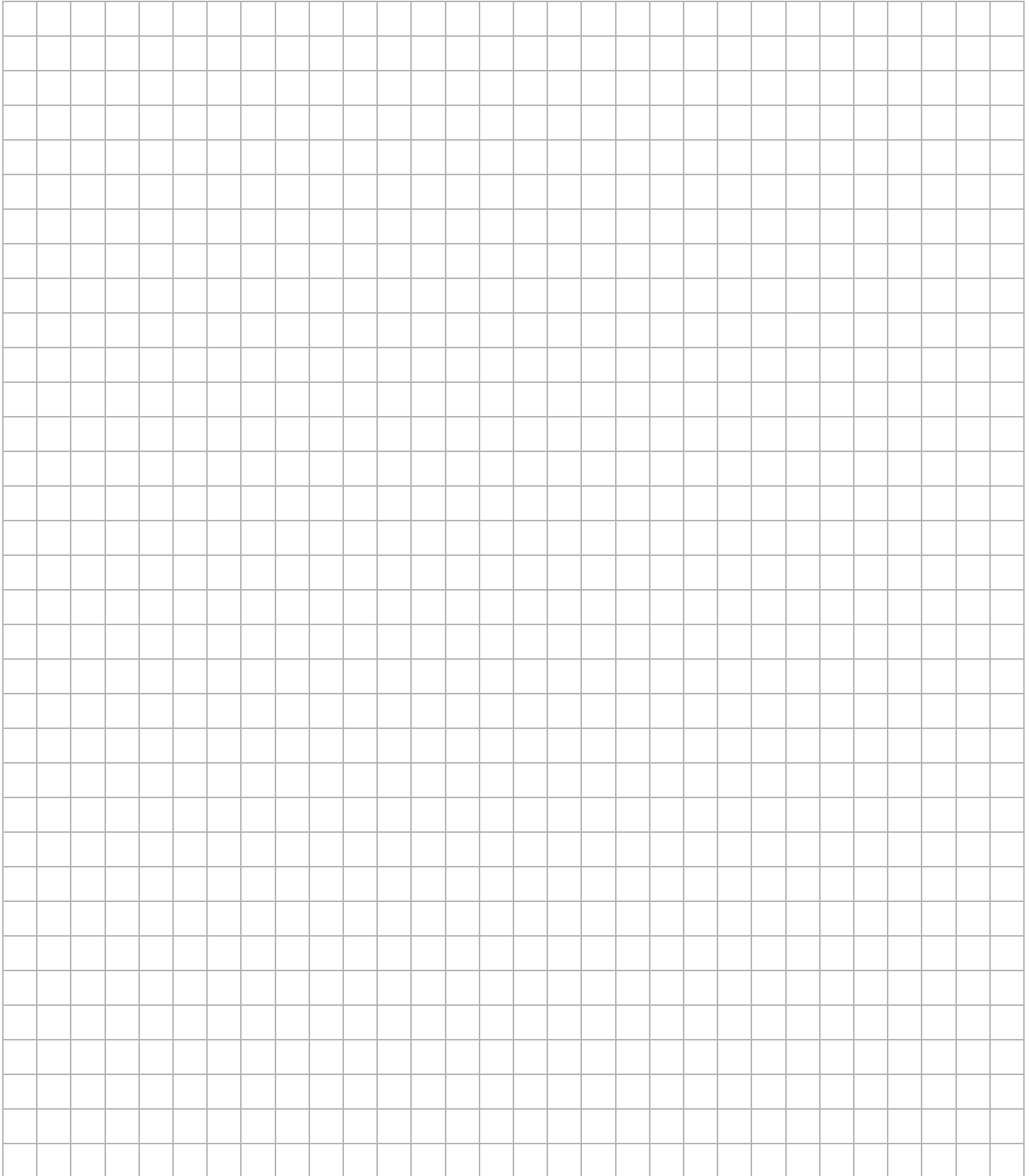
When ordering parts, please specify the model and serial number of the product.

* Indicates a component that is not available as an individual part.

*** Indicates consult Customer Service Department for additional information.

ITEM	PART NO.	1 2 3 4 5	DESCRIPTION	QTY.
1	619206		E-Z-GO Cowl Decal	1
2	685698		MADE IN USA Decal.....	1
3	605435		Steering Wheel Decal	1
4	662185		Console Safety Label.....	1
5	690162G01		Side Decal, Driver Side.....	1
6	690162G02		Side Decal, Passenger Side	1
7	610631		Clays Bed Decal.....	1

Notes:



A large grid of graph paper for taking notes, consisting of 20 columns and 30 rows of small squares.



A Textron Company

Textron Specialized Vehicles, Inc.,
1451 Marvin Griffin Road
Augusta, Georgia 30906 - 3852 USA

CONTACT INFORMATION

North America:

Technical Assistance & Warranty Phone: 1-800-774-3946, FAX: 1-800-448-8124
Service Parts Phone: 1-888-438-3946, FAX: 1-800-752-6175

International: Phone: 001-706-798-4311, FAX: 001-706-771-4609

Owner's Guides and Repair Manuals
are available from a local Distributor, an authorized Branch,
Parts & Accessories Department or at www.shop.txtsv.com/shop-ezgo

Copyrighted Material
This manual may not be reproduced in whole or
in part without the express permission of
Textron Specialized Vehicles
Technical Publications Department