



CUSHMAN®

LET'S WORK!

Service Parts Manual

ELECTRIC POWERED UTILITY VEHICLE



635593-U

ISSUED MARCH 2014

REVISED SEP 2019

SERVICE PARTS MANUAL

ELECTRIC POWERED UTILITY VEHICLES

TITAN LD 36V

TITAN HD 36V

TITAN HD 48V

STARTING MODEL YEAR 2014

CALIFORNIA Proposition 65 Warning

WARNING: Engine exhaust, some of its constituents, and certain vehicle components contain or emit chemicals known to the State of California to cause cancer and birth defects or other reproductive harm. In addition, certain fluids contained in vehicles and certain products of component wear contain or emit chemicals known to the State of California to cause cancer and birth defects or other reproductive harm.

DISCLAIMER: The E-Z-GO Division of Textron Inc. (E-Z-GO) reserves the right to incorporate engineering and design changes to products in this Manual, without obligation to include these changes on units leased/sold previously.

The information contained in this Manual may be revised periodically E-Z-GO, and therefore is subject to change without notice.

E-Z-GO DISCLAIMS LIABILITY FOR ERRORS IN THIS MANUAL, and E-Z-GO SPECIFICALLY DISCLAIMS LIABILITY FOR INCIDENTAL AND CONSEQUENTIAL DAMAGES RESULTING FROM THE USE OF THE INFORMATION AND MATERIALS IN THIS MANUAL.

TO CONTACT US

NORTH AMERICA:

TECHNICAL ASSISTANCE & WARRANTY PHONE: 1-800-774-3946, FAX: 1-800-448-8124

SERVICE PARTS PHONE: 1-888-GET-EZGO (1-888-438-3946), FAX: 1-800-752-6175

INTERNATIONAL: PHONE: 001-706-798-4311, FAX: 001-706-771-4609

E-Z-GO DIVISION OF TEXTRON INC., 1451 MARVIN GRIFFIN RD., AUGUSTA, GEORGIA USA 30906-3852

GENERAL INFORMATION

To obtain a copy of the limited warranty applicable to the vehicle, call or write a local Distributor, authorized Branch or the Warranty Department with vehicle serial number and manufacturer code.

The use of non Original Equipment Manufacturer (OEM) parts may void the warranty.

Overfilling of batteries may void the warranty.

BATTERY PROLONGED STORAGE

All batteries will self discharge over time. The rate of self discharge varies depending on the ambient temperature and the age and condition of the batteries.

A fully charged battery will not freeze in winter temperatures unless the temperature falls below -75° F (-60° C).

As with all electric vehicles, the batteries must be checked and recharged as required or at a minimum of 30 day intervals.

BATTERY DISPOSAL

Lead-acid batteries are recyclable. Return whole scrap batteries to distributor, manufacturer or lead smelter for recycling. For neutralized spills, place residue in acid-resistant containers with absorbent material, sand or earth and dispose of in accordance with local, state and federal regulations for acid and lead compounds. Contact local and/or state environmental officials regarding disposal information.

TABLE OF CONTENTS

| SECTION | Page No. |
|---|-----------------|
| HOW TO USE THE SERVICE PARTS MANUAL | v |
| ACCELERATOR | A |
| BATTERY CHARGER | B |
| BODY | C |
| BRAKES | D |
| PARK BRAKE | D - 1 |
| HYDRAULIC BRAKE | D - 5 |
| FRONT BRAKE | D - 9 |
| REAR BRAKE | D - 11 |
| MASTER CYLINDER | D - 13 |
| ELECTRICAL SYSTEM | E |
| ELECTRICAL SYSTEM - 36V | E - 1 |
| ELECTRICAL SYSTEM - 48V | E - 5 |
| ELECTRONIC SPEED CONTROL | F |
| ELECTRONIC SPEED CONTROL - 36V | F - 1 |
| ELECTRONIC SPEED CONTROL - 48V | F - 5 |
| FRONT SUSPENSION | G |
| MOTOR | H |
| REAR AXLE | J |
| REAR SUSPENSION | K |
| SEATING | L |
| STEERING | M |
| WEATHER PROTECTION | N |
| WHEELS AND TIRES | P |

HOW TO USE THE SERVICE PARTS MANUAL

This manual is divided into several sections:

GENERAL INFORMATION

- TABLE OF CONTENTS
- HOW TO USE THE SERVICE PARTS MANUAL

ILLUSTRATED PARTS BREAKDOWN

- Contains illustrations and parts lists for all systems of the vehicle

APPENDIX

- Contains a listing of specialty products and options/accessories

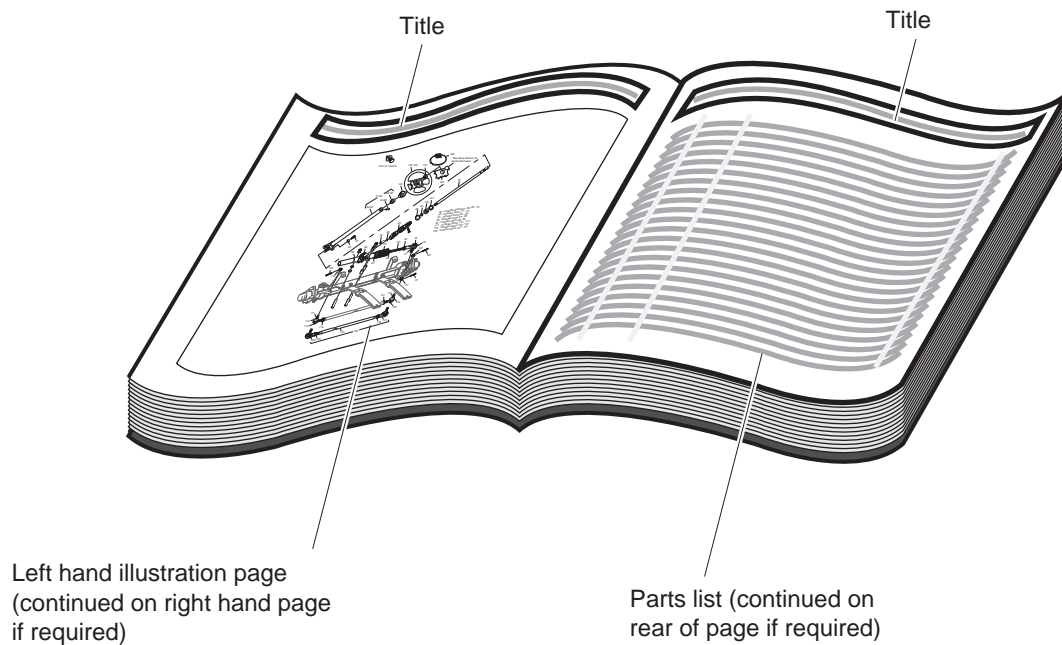
USE OF THE MANUAL

To use this manual, consult the TABLE OF CONTENTS to locate the information or illustration required.

Introduction of some revisions varies due to supply of components; therefore, it is possible that various combinations of components may be found that are not directly reflected by each illustration. Consult the illustration that best suits your situation and then contact the Service Parts Department. It is important that the serial number of your vehicle and its model number be supplied to Service Parts when ordering any replacement components.

Locate the serial number plate (see BODY located in the Illustrated Parts Breakdown section of this manual for its location) and note the complete number shown on the plate.

HOW TO USE THE SERVICE PARTS MANUAL



1. WHEN THE PART NUMBER IS NOT KNOWN

- Determine the function and application of the part required. Turn to the General Index and select the most appropriate title.
- Turn to the page number indicated and locate the desired part on the illustration.
- From the illustration, obtain the item number assigned to the desired part. Refer to the accompanying description for specific information regarding the part.

2. IF YOU KNOW THE PART NUMBER

- Locate the part number or description in the appropriate column on the parts list page.

NOTE: It is suggested that you confirm that the part selected is correct by verifying it with the pictorial representation on the illustrated page.

Should an asterisk (*) appear in the part number column on the parts list page, read upwards until a part number is found. The part number is the lowest assembly sold by Service Parts and the asterisk (*) indicates that the part depicted is not available for purchase.

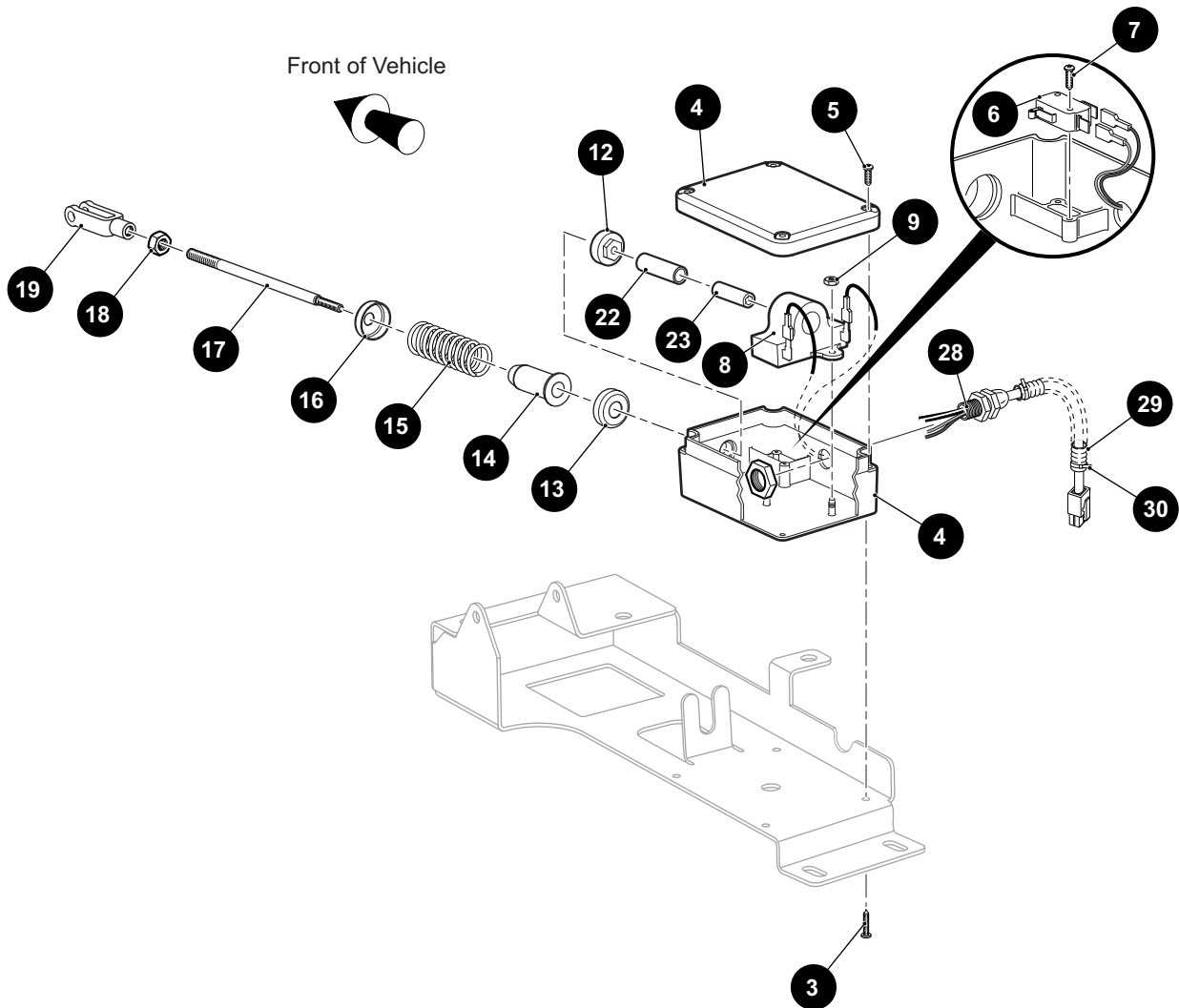
NOTE: Descriptions are indented under the assembly that they are used on. That assembly is, in turn listed under the assembly that it is used on. This process is repeated until the highest final assembly is reached.

To facilitate the maintenance and repair of the vehicle, a Technician's Repair and Service Manual is available from the Service Parts Department.

ACCELERATOR

1 PEDAL BOX ASSEMBLY includes items 2 - 39

21 PLUNGER & SLEEVE ASSEMBLY includes items 22 - 23



THE USE OF NON U.L. PARTS WILL VOID ANY U.L. LISTING.

When ordering parts, please specify the model and serial number of the product.

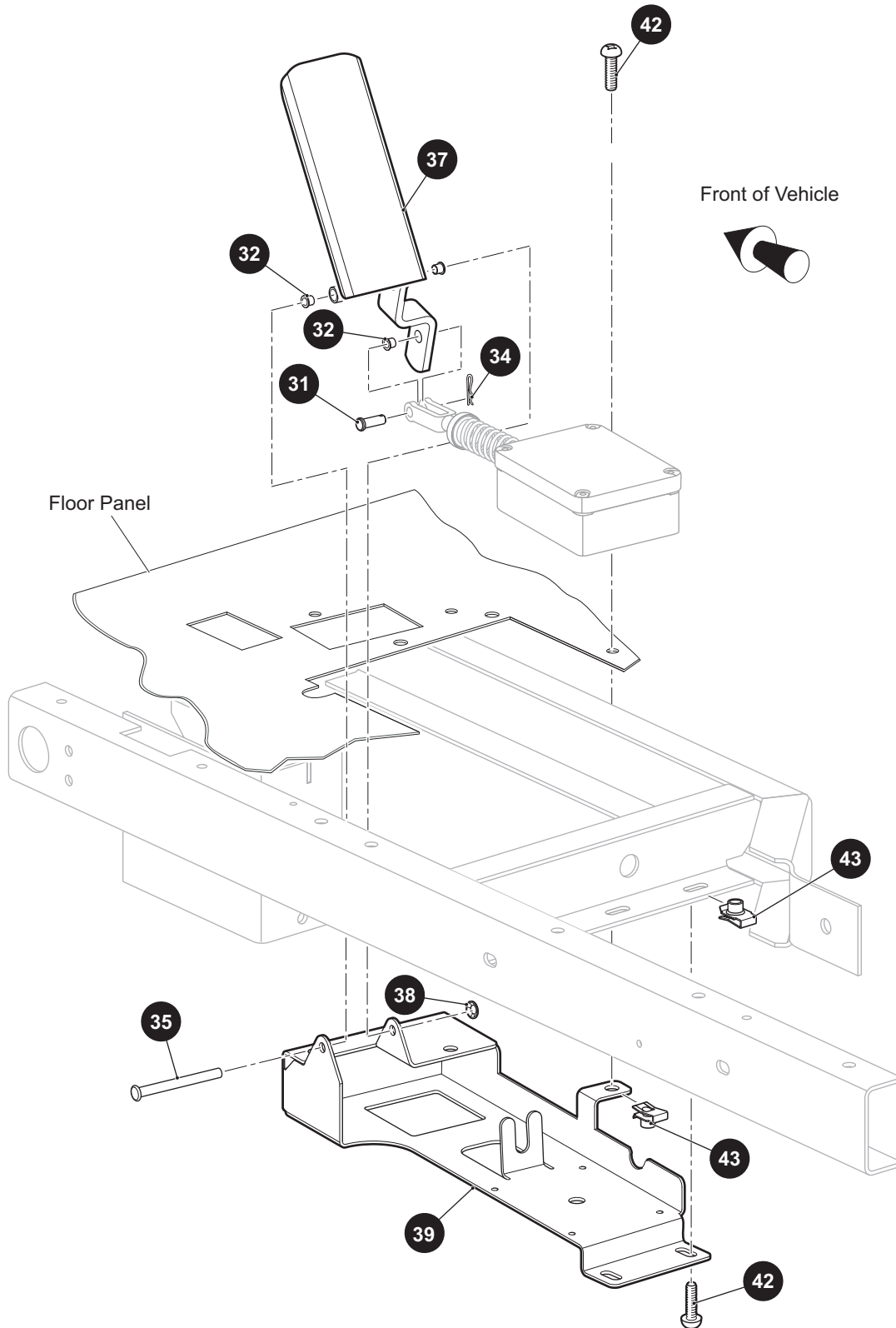
* Indicates a component that is not available as an individual part.

*** Indicates consult Customer Service Department for additional information.

| ITEM | PART NO. | 1 2 3 4 5 | DESCRIPTION | QTY. |
|------|----------|-----------|--|------|
| 1 | 600476 | | PEDAL BOX ASSEMBLY (INCLUDES ITEMS 3 - 39) | 1 |
| 2 | | | | |
| 3 | 01051G01 | | PHILLIPS PAN HEAD SCREW, #8 - 16" X 1/2" LG | 4 |
| 4 | 25853G01 | | PEDAL BOX AND COVER | 1 |
| 5 | 00684G6 | | PHILLIPS TRUSS HEAD SCREW (SS), #8 - 32 X 3/4" LG | 2 |
| 6 | 25861G01 | | MICRO SWITCH..... | 1 |
| 7 | 01050G01 | | TORX HEAD SCREW, #4 - 20 X 5/8" LG | 2 |
| 8 | 25854G01 | | INDUCTIVE THROTTLE SENSOR | 1 |
| 9 | 00983G01 | | SELF THREADING NUT, 3/16"..... | 2 |
| 10 | | | | |
| 11 | | | | |
| 12 | 28444G01 | | PLUNGER CAM..... | 1 |
| 13 | 17677G1 | | SPRING RETAINER, 1/2" | 1 |
| 14 | 17979G1 | | ACCELERATOR ROD BUSHING | 1 |
| 15 | 73046G01 | | COMPRESSION SPRING | 1 |
| 16 | 17677G2 | | SPRING RETAINER, 3/8" | 1 |
| 17 | 73332G01 | | ACCELERATOR ROD | 1 |
| 18 | 00532G4 | | LOCK NUT, 5/16" - 24..... | 1 |
| 19 | 10385G4 | | CLEVIS YOKE (ADJUSTABLE)..... | 1 |
| 20 | | | | |
| 21 | 602484 | | PLUNGER & SLEEVE ASSEMBLY (INCLUDES ITEMS 22 - 23) | 1 |
| 22 | 25857G01 | | PLUNGER SLEEVE..... | 1 |
| 23 | 28443G01 | | PLUNGER..... | 1 |
| 24 | | | | |
| 25 | | | | |
| 26 | | | | |
| 27 | | | | |
| 28 | 35679G01 | | WIRE HARNESS (PEDAL BOX) | 1 |
| 29 | 17313G1 | | FLEX LOOM (BULK)..... | AR |
| 30 | 17618G1 | | WIRE TIE | 2 |

ACCELERATOR

36 ACCELERATOR PEDAL ASSEMBLY includes item 37



ACCELERATOR

THE USE OF NON U.L. PARTS WILL VOID ANY U.L. LISTING.

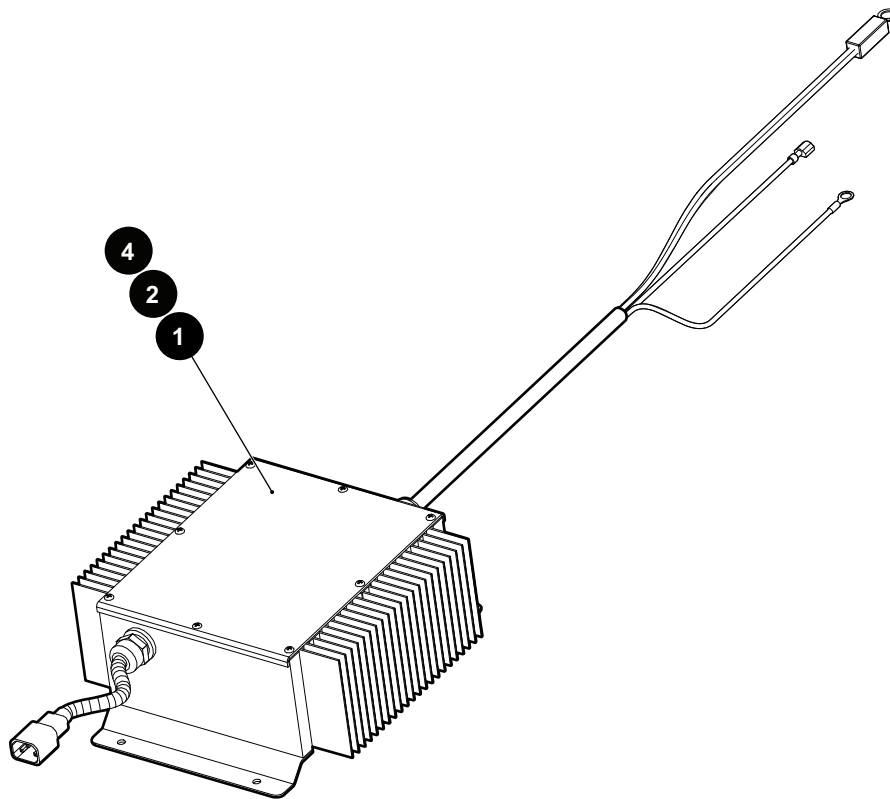
When ordering parts, please specify the model and serial number of the product.

* Indicates a component that is not available as an individual part.

*** Indicates consult Customer Service Department for additional information.

| ITEM | PART NO. | 1 2 3 4 5 | DESCRIPTION | QTY. |
|------|----------|-----------|--|------|
| 31 | 10386G3 | | CLEVIS PIN, 5/16" X 1" LG | 1 |
| 32 | 17838G1 | | NYLON BUSHING | 3 |
| 33 | | | | |
| 34 | 01076G01 | | HAIRPIN COTTER..... | 1 |
| 35 | 601093 | | PEDAL PIVOT PIN..... | 1 |
| 36 | 601150 | | ACCELERATOR PEDAL ASSEMBLY (INCLUDES ITEM 37)..... | 1 |
| 37 | 601153 | | PEDAL PAD | 1 |
| 38 | 12064G6 | | PUSH NUT, 9/32" | 1 |
| 39 | 601091 | | PEDAL BOX BRACKET..... | 1 |
| 40 | | | | |
| 41 | | | | |
| 42 | 71056G01 | | TRUSS HEAD BOLT, 5/16" - 18 X 5/8" LG..... | 5 |
| 43 | 01024G01 | | U - NUT, 5/16" - 18 | 5 |

BATTERY CHARGER



BATTERY CHARGER

THE USE OF NON U.L. PARTS WILL VOID ANY U.L. LISTING.

When ordering parts, please specify the model and serial number of the product.

* Indicates a component that is not available as an individual part.

*** Indicates consult Customer Service Department for additional information.

| ITEM | PART NO. | 1 2 3 4 5 | DESCRIPTION | QTY. |
|------|----------|-----------|---|------|
| 1 | 624206 | | 48V DELTA-Q ON-BOARD BATTERY CHARGER (FOR HD ONLY)..... | 1 |
| 2 | 628101 | | 48V QUIQ ON-BOARD BATTERY CHARGER (FOR HD ONLY) | 1 |
| 3 | | | | |
| 4 | 603388 | | 36V DELTA-Q ON-BOARD BATTERY CHARGER | 1 |

⚠ WARNING ⚠

Failure to follow this warning can cause severe personal injury or death.

This vehicle is designed and constructed for OFF-ROAD USE ONLY. Do not use this vehicle on any public roadway where automobiles or other motor vehicles are present. Such use can be hazardous to the operator and other drivers, passengers or bystanders.

29165G01

CAUTION

FIRE DAMAGE MAY OCCUR TO WIRES AND ELECTRICAL COMPONENTS IF VEHICLE IS TOWED. REMOVE MOTOR LEAD CONNECTIONS IF VEHICLE IS TO BE TOWED.

4115473

⚠ WARNING ⚠

FAILURE TO HEED THESE WARNINGS MAY RESULT IN PERSONAL OR FATAL INJURY TO YOU OR OTHERS AND MAY ALSO RESULT IN EQUIPMENT AND/OR PROPERTY DAMAGE.

READ, STUDY AND UNDERSTAND ALL WARNING LABELS AND OPERATING INSTRUCTIONS. FAILURE TO DO SO MAY RESULT IN PERSONAL OR FATAL INJURY TO YOU OR OTHERS AND MAY ALSO RESULT IN EQUIPMENT AND/OR PROPERTY DAMAGE.

BEFORE OPERATING VEHICLE
DO NOT MODIFY OR ADAPT TO VEHICLE WITHOUT MANUFACTURER'S AUTHORIZATION. SUCH MODIFICATION MAY BE NECESSARY FOR MAINTENANCE OR REPAIRS AND SHOULD BE DONE BY A QUALIFIED PERSON. KEEP CONTROLS FREE OF OBSTRUCTIONS. DO NOT OPERATE VEHICLE IN EXCESSIVE WINDS OR UNUSUAL CONDITIONS. DO NOT OPERATE VEHICLE IN EXCESSIVE WINDS OR UNUSUAL CONDITIONS. DO NOT OPERATE VEHICLE IN EXCESSIVE WINDS OR UNUSUAL CONDITIONS.

WHILE OPERATING VEHICLE
KEEP VEHICLE ON ROAD SURFACE. DO NOT USE HANDS. AVOID SUDDEN STOPPING AND STARTING. DO NOT OPERATE VEHICLE AT EXCESSIVE SPEEDS. DO NOT OPERATE VEHICLE AT EXCESSIVE SPEEDS. DO NOT OPERATE VEHICLE AT EXCESSIVE SPEEDS.

BEFORE LEAVING VEHICLE
SET OPERATOR SELECTION IN "NEUTRAL". TURN KEY TO "OFF" POSITION. REMOVE KEYS. MAKE SURE VEHICLE IS SECURELY PARKED. DO NOT OPERATE VEHICLE AT EXCESSIVE SPEEDS. DO NOT OPERATE VEHICLE AT EXCESSIVE SPEEDS.

⚠ WARNING ⚠

READ OPERATOR'S MANUAL BEFORE OPERATING CHARGER. DO NOT CHARGE IN ENCLOSED SPACES. DO NOT OPERATE VEHICLE WHILE CHARGING. BRINE MAY CORRODE BATTERIES.

OPERATION INSTRUCTIONS
CONNECT CHARGER PLUG TO A GROUNDED RECEPTACLE WITH POWER RATINGS AS INDICATED ON CHARGER. CHARGER WILL TURN ON AUTOMATICALLY.

AMMETER SHOWS WHEN CHARGER IS OPERATING. CHARGER SHUTS OFF AUTOMATICALLY. KEEP CHARGER VENTILATION OPENINGS CLEAR. BATTERY VENTILATION CAN DAMAGE CHARGER.

BATTERIES CHARGED IN UNVENTILATED AREAS BELOW 60°F (15°C) SHOULD BE CHARGED AS SOON AFTER USE AS POSSIBLE. CHARGE BATTERIES ONCE EACH WEEK FOR FOUR HOURS IN TEMPERATURE ABOVE 60°F TO IMPROVE STATE OF CHARGE AND BATTERY LIFE.

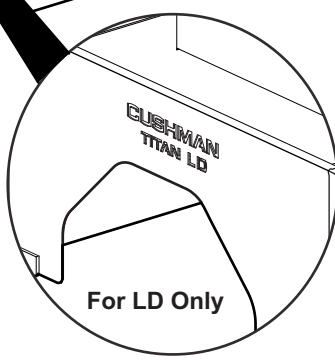
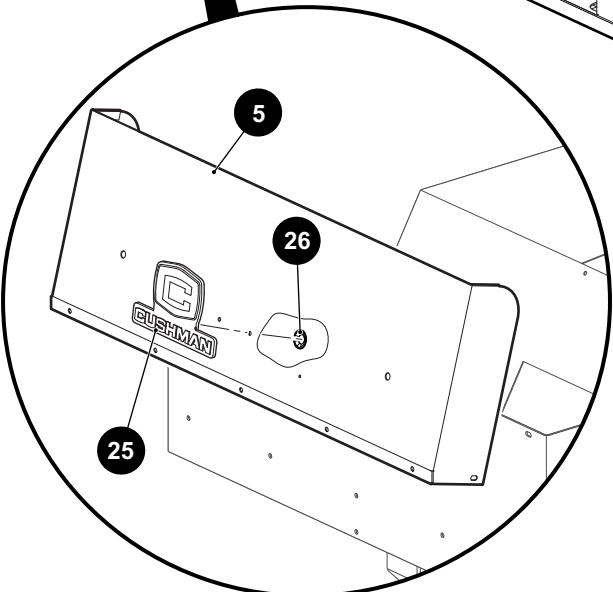
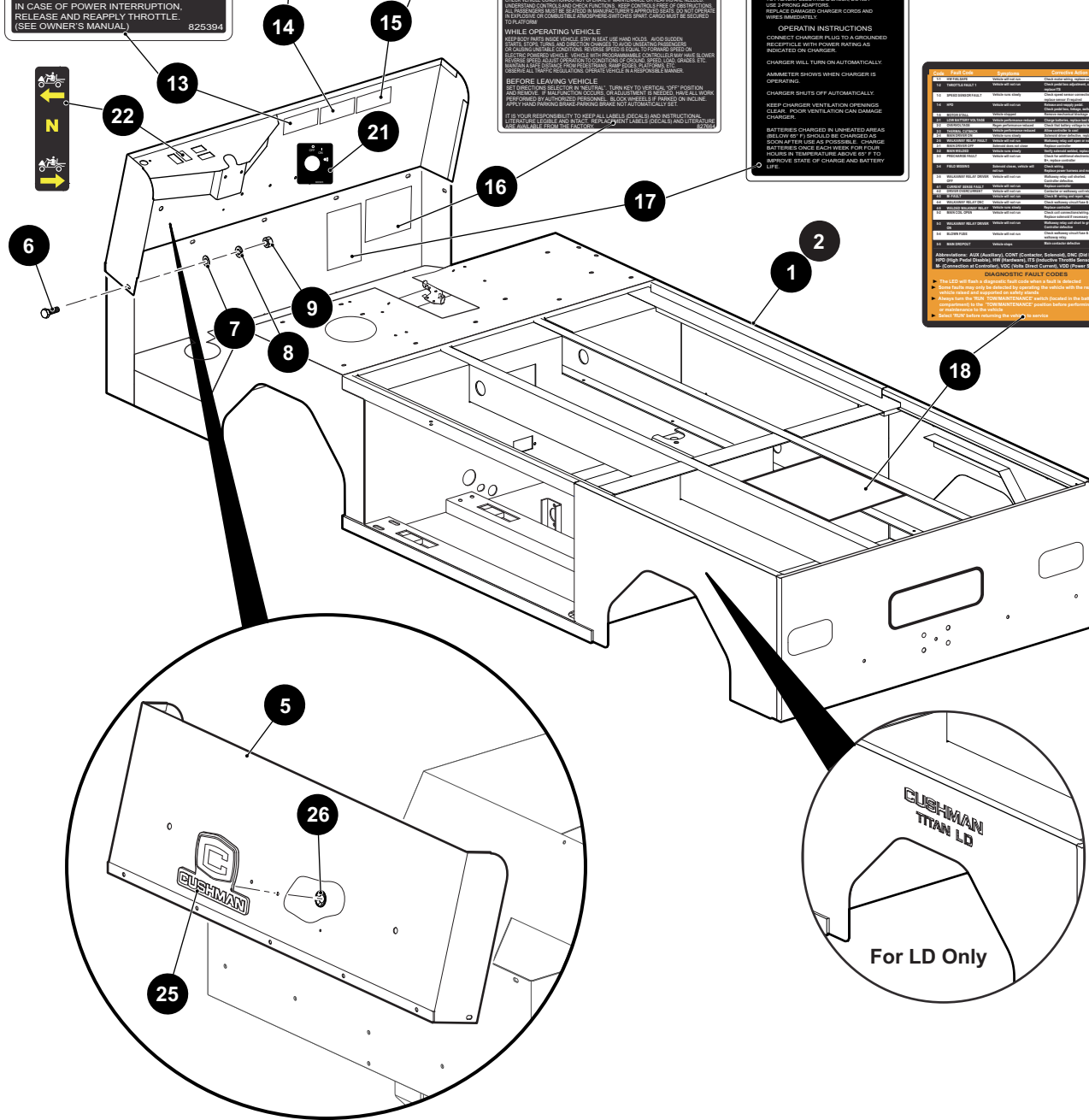
NOTICE

THIS VEHICLE IS EQUIPPED WITH A THROTTLE-SOLENOID INTERLOCK SYSTEM. IN CASE OF POWER INTERRUPTION, RELEASE AND REAPPLY THROTTLE. (SEE OWNER'S MANUAL.)

825394



| Code | Part Name | Description | Quantity | Unit Price | Total Price |
|------|-----------|-------------|----------|------------|-------------|
| 1 | CHARGER | Charger | 1 | 100.00 | 100.00 |
| 2 | PLUG | Plug | 1 | 10.00 | 10.00 |
| 3 | WIRE | Wire | 1 | 5.00 | 5.00 |
| 4 | TERMINAL | Terminal | 1 | 2.00 | 2.00 |
| 5 | SCREW | Screw | 1 | 1.00 | 1.00 |
| 6 | WASHER | Washer | 1 | 1.00 | 1.00 |
| 7 | NUT | Nut | 1 | 1.00 | 1.00 |
| 8 | WASHER | Washer | 1 | 1.00 | 1.00 |
| 9 | NUT | Nut | 1 | 1.00 | 1.00 |
| 10 | WASHER | Washer | 1 | 1.00 | 1.00 |
| 11 | NUT | Nut | 1 | 1.00 | 1.00 |
| 12 | WASHER | Washer | 1 | 1.00 | 1.00 |
| 13 | NUT | Nut | 1 | 1.00 | 1.00 |
| 14 | WASHER | Washer | 1 | 1.00 | 1.00 |
| 15 | NUT | Nut | 1 | 1.00 | 1.00 |
| 16 | WASHER | Washer | 1 | 1.00 | 1.00 |
| 17 | NUT | Nut | 1 | 1.00 | 1.00 |
| 18 | WASHER | Washer | 1 | 1.00 | 1.00 |



THE USE OF NON U.L. PARTS WILL VOID ANY U.L. LISTING.

When ordering parts, please specify the model and serial number of the product.

* Indicates a component that is not available as an individual part.

*** Indicates consult Customer Service Department for additional information.

| ITEM | PART NO. | 1 2 3 4 5 | DESCRIPTION | QTY. |
|------|----------|-----------|---|------|
| 1 | XXXXXX | | BODY FRAME WELDMENT (FOR HD ONLY) 652583 SAFETY YELLOW 652584 FOREST GREEN 652585 FLAME RED 652587 ARCTIC WHITE | 1 |
| 2 | XXXXXX | | BODY FRAME WELDMENT (FOR LD ONLY) 652560G35 SAFETY YELLOW 652560G37 FOREST GREEN 652560G38 ARCTIC WHITE 652560G39 FLAME RED 652560G05 JAC ORANGE 652560G47 BURLINGTON GREEN | 1 |
| 3 | | | | |
| 4 | | | | |
| 5 | XXXXXX | | COWL..... 633113G35 SAFETY YELLOW 633113G37 FOREST GREEN 633113G38 ARCTIC WHITE 633113G39 FLAME RED 633113G05 ORANGE 633113G47 BURLINGTON GREEN | 1 |
| 6 | 800557 | | CARRIAGE BOLT, 5/16" - 18 X .75" LG..... | 7 |
| 7 | 103867 | | FLAT WASHER, .31" X .69" X .06"..... | 2 |
| 8 | 00565G8 | | LOCK WASHER, 5/16"..... | 7 |
| 9 | 00520G3 | | ACORN NUT, 3/8" - 16..... | 7 |
| 10 | | | | |
| 11 | | | | |
| 12 | | | | |
| 13 | 825394 | | THROTTLE SOLENOID INTERLOCK NOTICE LABEL..... | 1 |
| 14 | 29165G01 | | OFF ROAD USE DECAL..... | 1 |
| 15 | 4115473 | | CAUTION - NO TOWING DECAL..... | 1 |
| 16 | 827664 | | WARNING - OPERATION DECAL..... | 1 |
| 17 | 830926 | | WARNING LABEL..... | 1 |
| 18 | 73398G01 | | FAULT CODE DIAGNOSTIC LABEL..... | 1 |
| 19 | | | | |
| 20 | | | | |
| 21 | 600945 | | IGNITION SWITCH DECAL..... | 1 |

BODY

THE USE OF NON U.L. PARTS WILL VOID ANY U.L. LISTING.

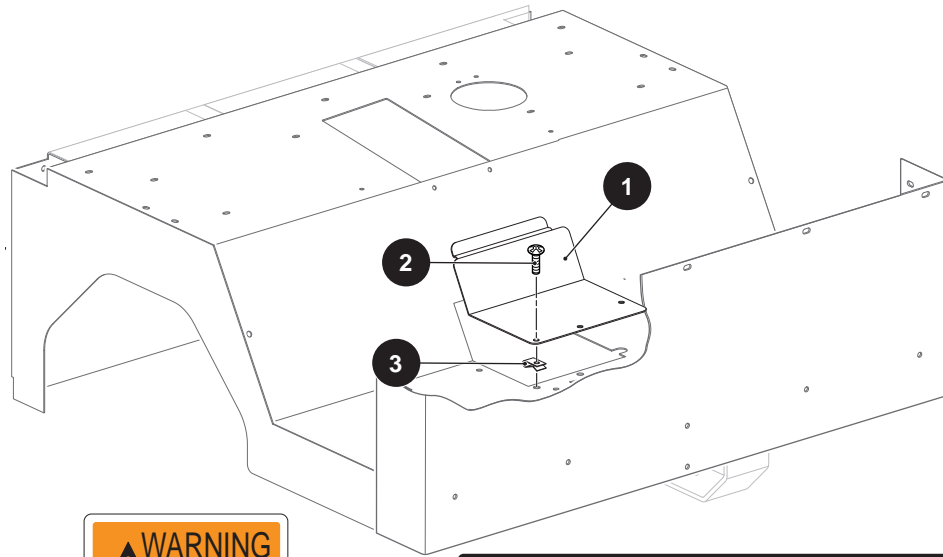
When ordering parts, please specify the model and serial number of the product.

* Indicates a component that is not available as an individual part.

*** Indicates consult Customer Service Department for additional information.

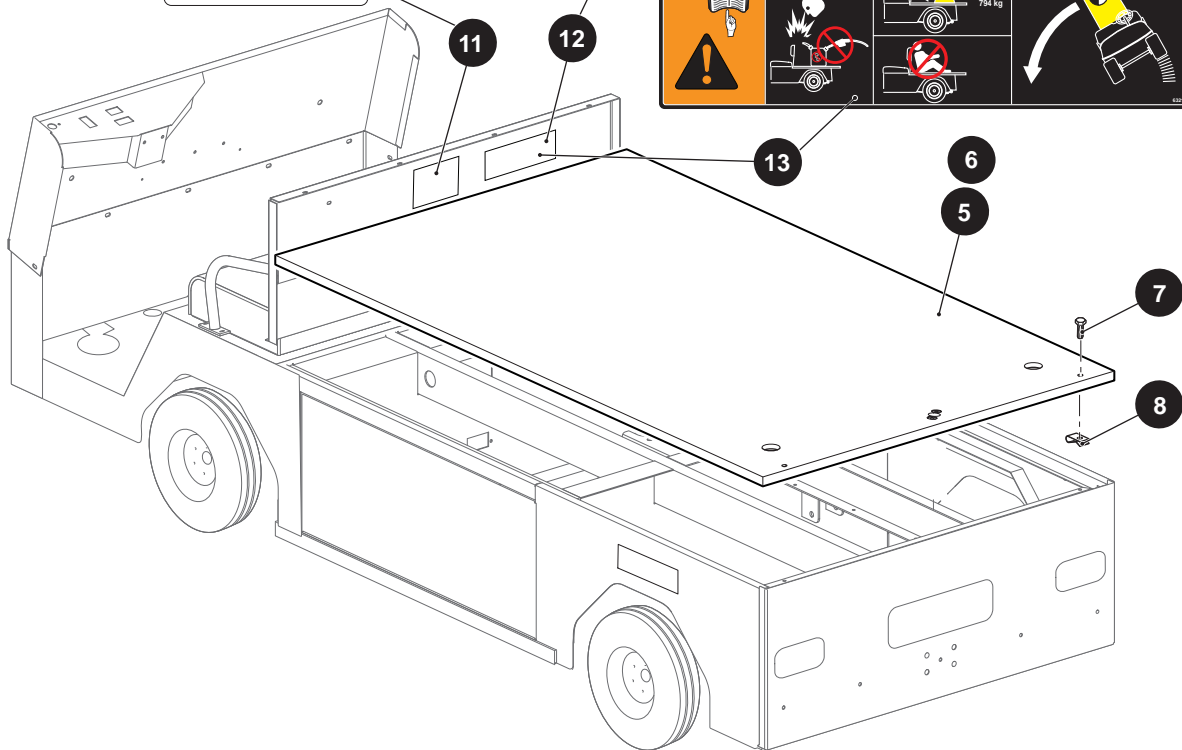
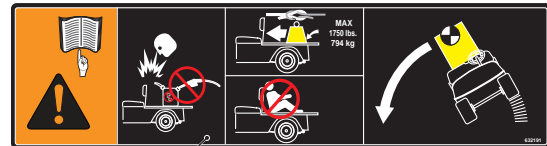
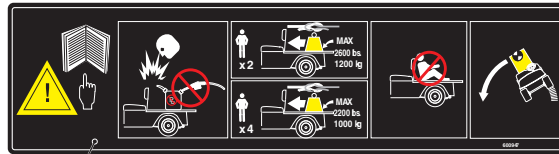
| ITEM | PART NO. | 1 2 3 4 5 | DESCRIPTION | QTY. |
|------|----------|-----------|---|------|
| 22 | 630041 | | DIRECTION SELECTOR LABEL..... | 1 |
| 23 | | | | |
| 24 | | | | |
| 25 | 624539 | | CUSHMAN EMBLEM | 1 |
| 26 | 71597G01 | | SELF THREADING NUT, 5 X 10 X 15MM | 3 |

ACCESS PANEL & CARGO DECK



WARNING

PROVIDE BATTERY VENTILATION DURING CHARGING. KEEP OPEN FLAMES OR SPARKS AWAY FROM BATTERIES AT ALL TIMES. DO NOT SHORT ACROSS BATTERIES TO CHECK CONDITION OF BATTERIES. BATTERIES MAY EXPLODE. BATTERY ACID CAN CAUSE SEVERE DAMAGE TO EYES, SKIN, AND CLOTHING FLUENT CONTAMINATED AREA. IMMEDIATELY WITH WATER. WHEN CLEANING BATTERIES, KEEP SOLUTION AND WATER AWAY FROM CHARGER AND SWITCHES. 819936



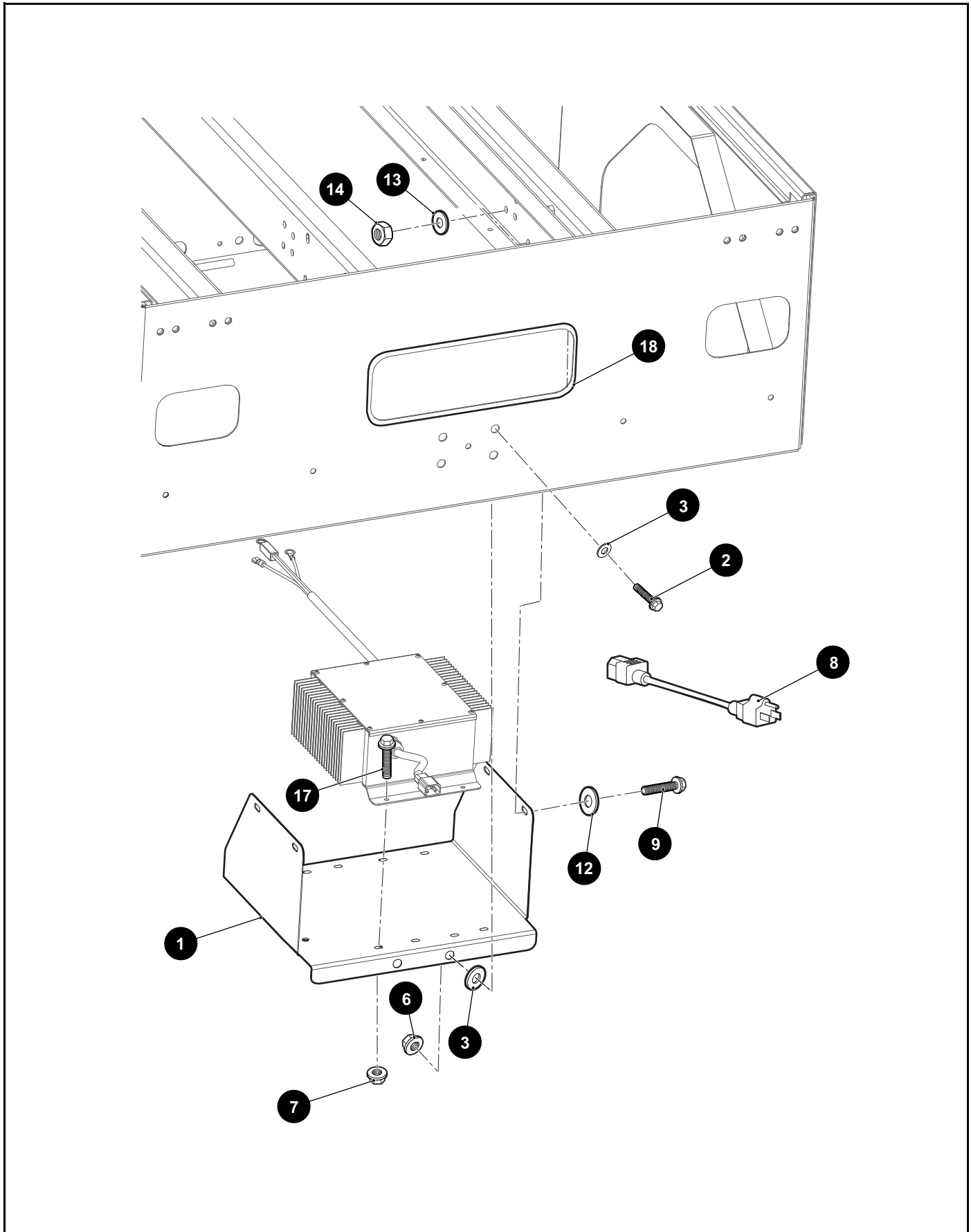
THE USE OF NON U.L. PARTS WILL VOID ANY U.L. LISTING.

When ordering parts, please specify the model and serial number of the product.

* Indicates a component that is not available as an individual part.

*** Indicates consult Customer Service Department for additional information.

| ITEM | PART NO. | 1 2 3 4 5 | DESCRIPTION | QTY. |
|------|----------|-----------|---|------|
| 1 | *** | | ACCESS COVER 613042 BLACK | 1 |
| 2 | 71056G01 | | TRUSS HEAD MACHINE SCREW, 5/16" - 18 X 5/8" LG | 3 |
| 3 | 01024G01 | | 'U' TYPE SPEED NUT, 5/8" - 18 | 3 |
| 4 | | | | |
| 5 | 829337 | | CARGO DECK (FOR VEHICLES MANUFACTURED BEFORE MARCH 19, 2017) | 1 |
| 6 | 656572 | | CARGO DECK (FOR VEHICLES MANUFACTURED AFTER MARCH 19, 2017) | 1 |
| 7 | 800017 | | PAN HEAD PHILLIPS SCREW, 1/4" - 20 X 1" LG | 2 |
| 8 | 800279 | | 'U' TYPE SPEED NUT, 1/4" - 20 | 2 |
| 9 | | | | |
| 10 | | | | |
| 11 | 819936 | | WARNING LABEL | 1 |
| 12 | 600947 | | BED LOAD DECAL (FOR HD ONLY) | 1 |
| 13 | 632191 | | BED LOAD DECAL (FOR LD ONLY) | 1 |



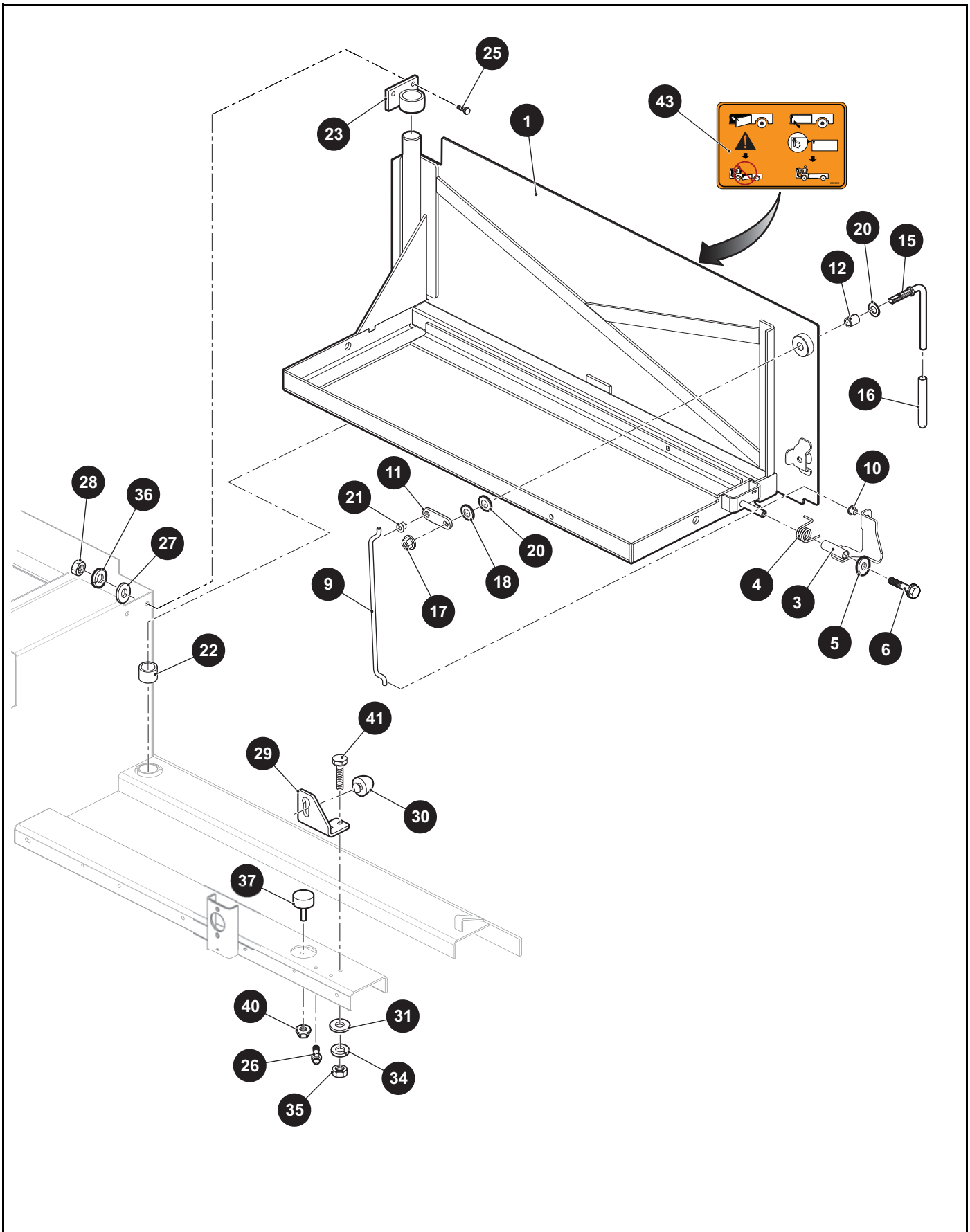
THE USE OF NON U.L. PARTS WILL VOID ANY U.L. LISTING.

When ordering parts, please specify the model and serial number of the product.

* Indicates a component that is not available as an individual part.

*** Indicates consult Customer Service Department for additional information.

| ITEM | PART NO. | 1 2 3 4 5 | DESCRIPTION | QTY. |
|------|-----------|-----------|---|------|
| 1 | 677114 | | CHARGER BRACKET | 1 |
| 2 | 800385 | | HEX HEAD BOLT, 3/8" - 16 X 3/4" LG | 2 |
| 3 | 00922G2 | | FLAT WASHER, 3/8" | 4 |
| 4 | | | | |
| 5 | | | | |
| 6 | 800698 | | HEX NUT, 3/8" - 16..... | 2 |
| 7 | 11027G2 | | FLANGED LOCK NUT, 1/4" - 20 | 4 |
| 8 | 600462G01 | | AC CORD..... | 1 |
| 9 | 00438G6 | | HEX HEAD BOLT, 5/16" - 18 X 3/4" LG | 4 |
| 10 | | | | |
| 11 | | | | |
| 12 | 00559G8 | | FLAT WASHER, 5/16" | 4 |
| 13 | 306325 | | LOCK WASHER, 5/16"..... | 4 |
| 14 | 00532G3 | | HEX NUT, 5/16" - 18..... | 4 |
| 15 | | | | |
| 16 | | | | |
| 17 | 00414G5 | | HEX HEAD BOLT, 1/4" - 20 X 5/8" LG | 4 |
| 18 | 22280G1 | | TRIM (BLACK) | AR |



THE USE OF NON U.L. PARTS WILL VOID ANY U.L. LISTING.

When ordering parts, please specify the model and serial number of the product.

* Indicates a component that is not available as an individual part.

*** Indicates consult Customer Service Department for additional information.

| ITEM | PART NO. | 1 | 2 | 3 | 4 | 5 | DESCRIPTION | QTY. |
|------|----------|--------|---|---|---|---|--|------|
| 1 | *** | | | | | | SWING OUT BATTERY RACK | 2 |
| | | 604286 | | | | | SAFETY YELLOW | |
| | | 620458 | | | | | BLACK | |
| | | 608266 | | | | | BURLINGTON GREEN | |
| | | 604715 | | | | | HUNTER GREEN | |
| | | 604716 | | | | | WHITE | |
| | | 604717 | | | | | RED | |
| | | 604718 | | | | | ORANGE | |
| 2 | | | | | | | | |
| 3 | 604993 | | | | | | LATCH..... | 1 |
| 4 | 604228 | | | | | | LATCH SPRING | 1 |
| 5 | 00559G7 | | | | | | FLAT WASHER, 1/4" | 1 |
| 6 | 00713G1 | | | | | | FLANGED HEX HEAD BOLT, #12 - 24 X 1/2" LG..... | 1 |
| 7 | | | | | | | | |
| 8 | | | | | | | | |
| 9 | 605000 | | | | | | LATCH LINKAGE ROD | 1 |
| 10 | 22754G4 | | | | | | FLIP-LOCK BUSHING | 1 |
| 11 | 605001 | | | | | | BELLCRANK LATCH | 1 |
| 12 | 605863 | | | | | | PIVOT TUBE BUSHING..... | 1 |
| 13 | | | | | | | | |
| 14 | | | | | | | | |
| 15 | 604999 | | | | | | LATCH HANDLE | 1 |
| 16 | 71704G01 | | | | | | HANDLE GRIP | 1 |
| 17 | 11098G5 | | | | | | LOCK NUT | 1 |
| 18 | 34434G01 | | | | | | BELLEVILLE WASHER, .75" O.D X .38" I.D..... | 1 |
| 19 | | | | | | | | |
| 20 | 00560G2 | | | | | | FLAT WASHER, 7/16" | 2 |
| 21 | 22754G5 | | | | | | FLIP-LOCK BUSHING | 1 |
| 22 | 633700 | | | | | | BEARING | 2 |
| 23 | 604737 | | | | | | UPPER PIVOT ASSEMBLY | 2 |
| 24 | | | | | | | | |
| 25 | 306416 | | | | | | HEX HEAD BOLT, 5/16" - 18 X 1" LG | 4 |
| 26 | 2702168 | | | | | | GREASE FITTING | 2 |
| 27 | 103867 | | | | | | FLAT WASHER, 5/16" | 4 |

BODY

THE USE OF NON U.L. PARTS WILL VOID ANY U.L. LISTING.

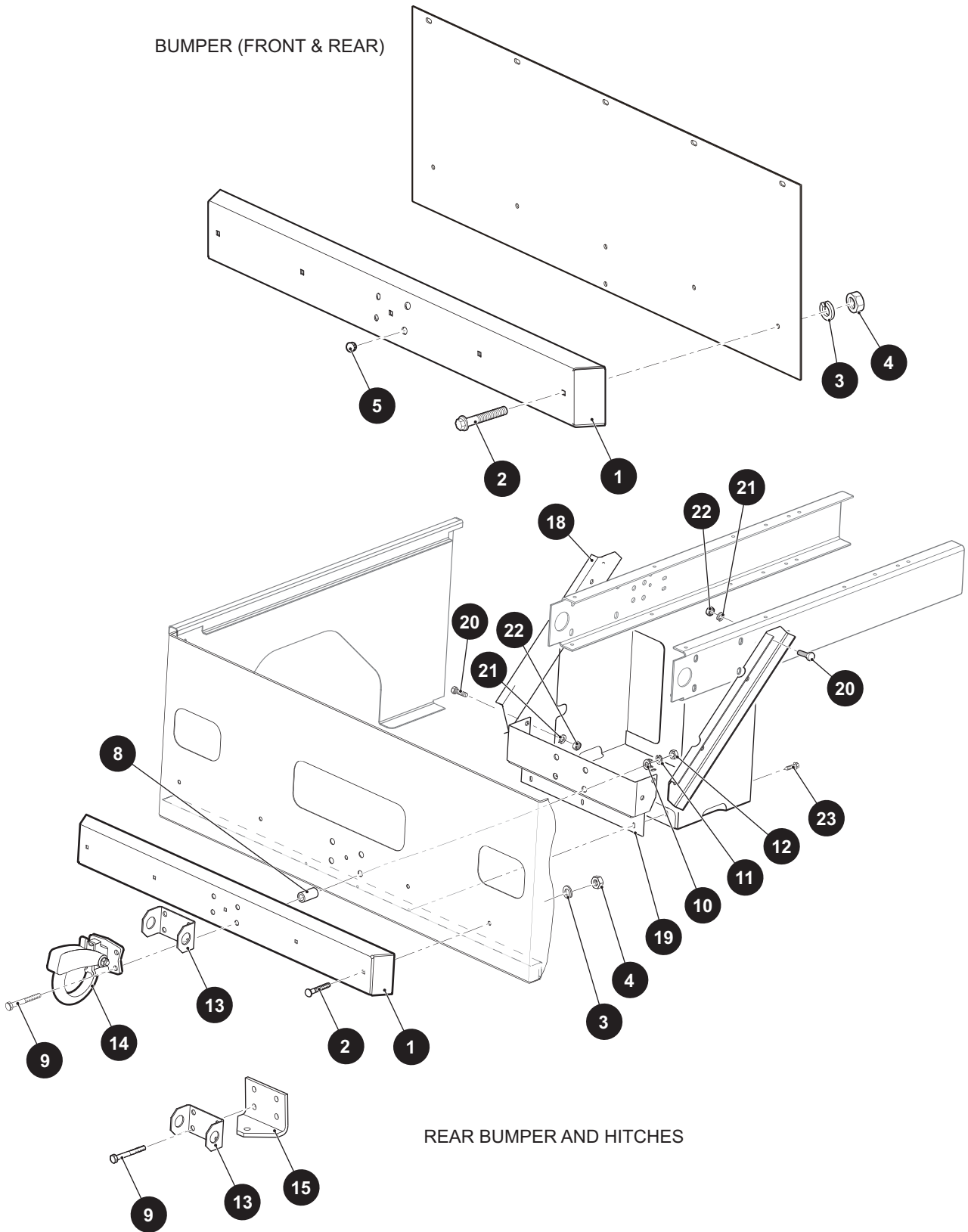
When ordering parts, please specify the model and serial number of the product.

* Indicates a component that is not available as an individual part.

*** Indicates consult Customer Service Department for additional information.

| ITEM | PART NO. | 1 2 3 4 5 | DESCRIPTION | QTY. |
|------|----------|-----------|---|------|
| 28 | 306932 | | HEX NUT, 5/16" - 18 | 4 |
| 29 | 604644 | | STOP BRACKET | 2 |
| 30 | 813850 | | TRAVEL LIMITING BUMPER | 2 |
| 31 | 308090 | | FLAT WASHER, 1/4" | 6 |
| 32 | | | | |
| 33 | | | | |
| 34 | 306396 | | LOCK WASHER, 1/4" | 6 |
| 35 | 306375 | | HEX NUT, 1/4" - 20 | 6 |
| 36 | 306325 | | LOCK WASHER, 5/16" | 4 |
| 37 | 70113G01 | | ADJUSTABLE BUMPER..... | 2 |
| 38 | | | | |
| 39 | | | | |
| 40 | 11027G1 | | FLANGED LOCK NUT, 5/16" - 18..... | 2 |
| 41 | 00661G8 | | HEX HEAD BOLT (SS), 1/4" - 20 X 1" LG | 6 |
| 42 | | | | |
| 43 | 606003 | | SWING OUT BATTERY TRAY DECAL..... | 2 |

BUMPER (FRONT & REAR)



REAR BUMPER AND HITCHES

BODY - ACCESSORIES

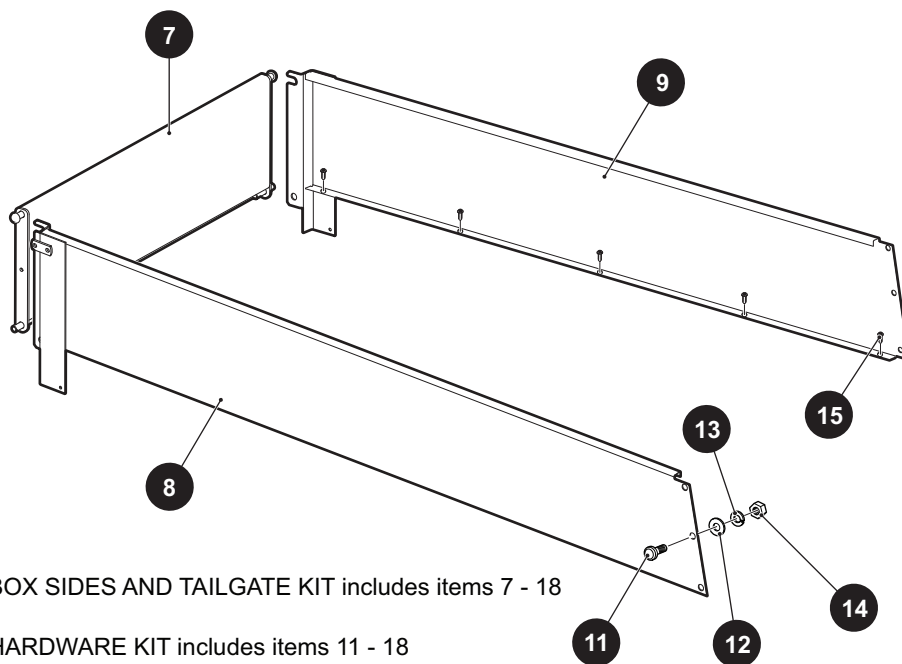
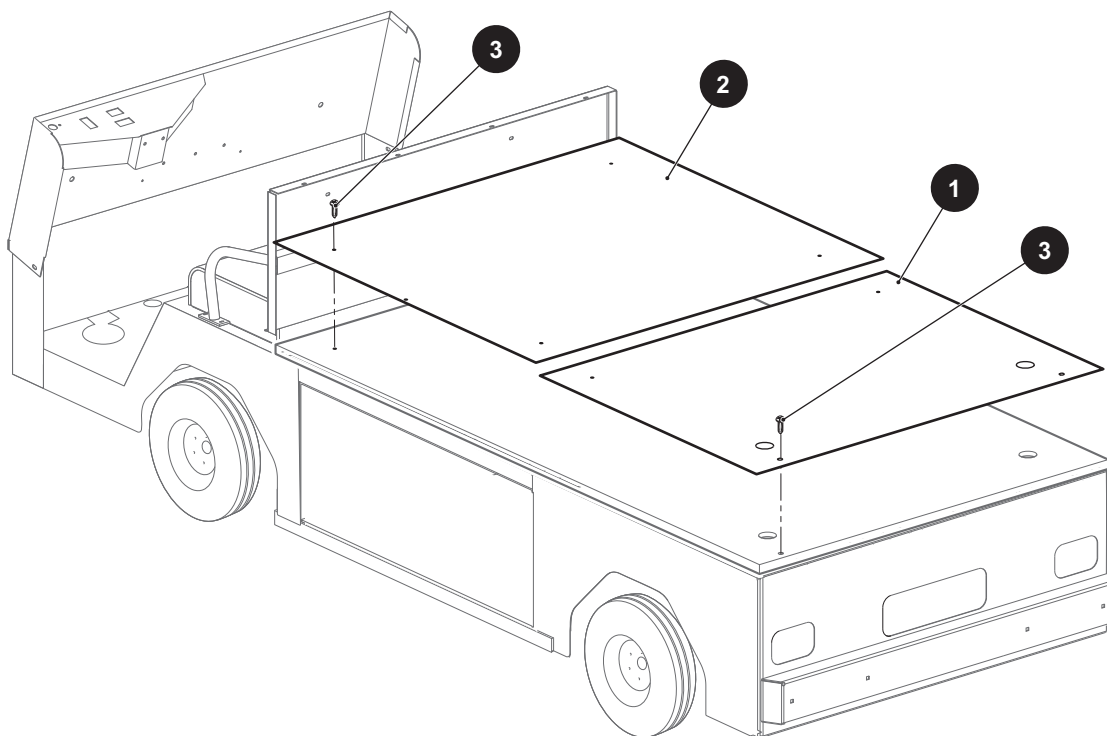
THE USE OF NON U.L. PARTS WILL VOID ANY U.L. LISTING.

When ordering parts, please specify the model and serial number of the product.

* Indicates a component that is not available as an individual part.

*** Indicates consult Customer Service Department for additional information.

| ITEM | PART NO. | 1 2 3 4 5 | DESCRIPTION | QTY. |
|------|-----------|-----------|--|------|
| 1 | 668124 | | BUMPER | 1 |
| 2 | 800352 | | CARRIAGE BOLT, 5/16" - 18 X 3" LG | 5 |
| 3 | 306325 | | LOCK WASHER, 5/16" | 5 |
| 4 | 306932 | | HEX NUT, 5/16" - 18..... | 5 |
| 5 | 602328 | | PLUG (PLASTIC) | 4 |
| 6 | | | | |
| 7 | | | | |
| 8 | 830023G01 | | SPACER, 1" O.D X 1 29/32" LG..... | 4 |
| 9 | 00405G8 | | HEX HEAD BOLT, 1/2" - 13 X 4" LG | 4 |
| 10 | 308091 | | FLAT WASHER, 1/2" | 4 |
| 11 | 120166 | | LOCK WASHER, 1/2" | 4 |
| 12 | 308332 | | HEX NUT, 1/2" - 13..... | 4 |
| 13 | 828197G01 | | SAFETY CHAIN BRACKET | 1 |
| 14 | 825153 | | PINTLE HITCH..... | 1 |
| 15 | 822829 | | CLEVIS HITCH..... | 1 |
| 16 | | | | |
| 17 | | | | |
| 18 | 829648 | | HITCH BRACE | 2 |
| 19 | 602164 | | HITCH MOUNTING BRACKET | 1 |
| 20 | 306414 | | HEX HEAD BOLT, 3/8" - 16 X 1" LG | 8 |
| 21 | 120177 | | LOCK WASHER, 3/8" | 8 |
| 22 | 306562 | | HEX NUT, 3/8" - 16..... | 8 |
| 23 | 00114G6 | | HEX WASHER HEAD SLOTTED TAPPING SCREW, 1/4" - 14 X 3/4" LG | 3 |



6 BOX SIDES AND TAILGATE KIT includes items 7 - 18

10 HARDWARE KIT includes items 11 - 18

BODY - ACCESSORIES

THE USE OF NON U.L. PARTS WILL VOID ANY U.L. LISTING.

When ordering parts, please specify the model and serial number of the product.

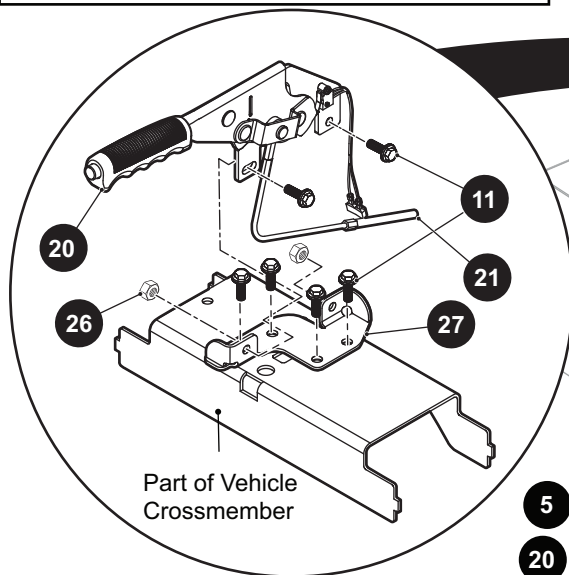
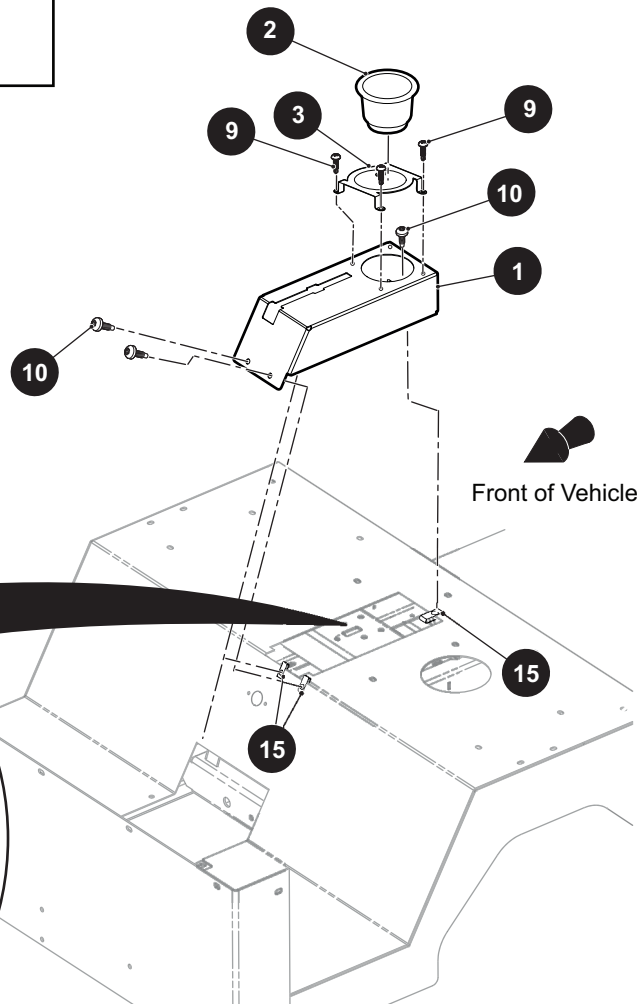
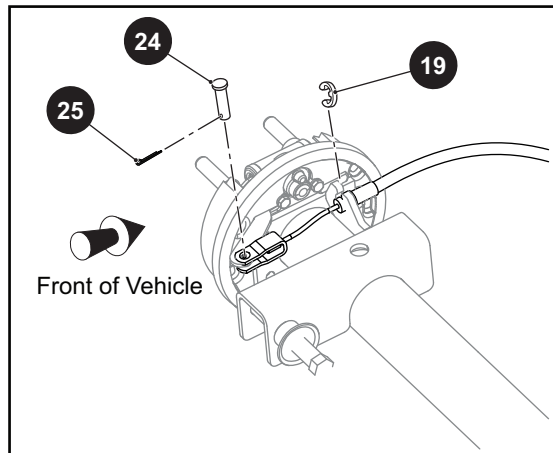
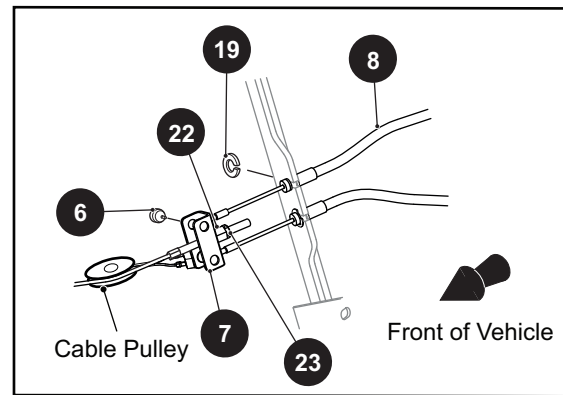
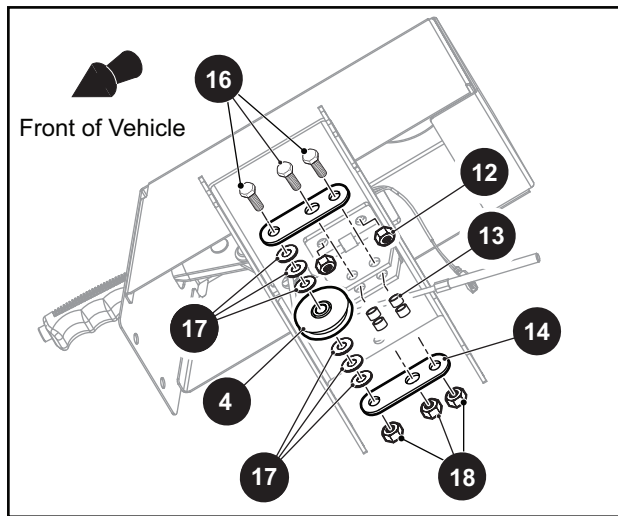
* Indicates a component that is not available as an individual part.

*** Indicates consult Customer Service Department for additional information.

| ITEM | PART NO. | 1 2 3 4 5 | DESCRIPTION | QTY. |
|------|-----------|-----------|---|------|
| 1 | 829993G01 | | DECK PLATE, REAR | 1 |
| 2 | 829863G01 | | DECK PLATE, FRONT | 1 |
| 3 | 00130G5 | | ROUND HEAD PHILLIPS SCREW, #10 - 13 X .62" LG..... | 8 |
| 4 | | | | |
| 5 | | | | |
| 6 | 886467GXX | | BOX SIDES AND TAILGATE KIT (INCLUDES ITEMS 7 - 18)..... 886467G01 SAFETY YELLOW 886467G02 ARCTIC WHITE 886467G03 FOREST GREEN 886467G04 RED 886467G05 ORANGE | 1 |
| 7 | 886653GXX | | TAILGATE | 1 |
| | | | 886653G01 SAFETY YELLOW | |
| | | | 886653G02 ARCTIC WHITE | |
| | | | 886653G03 FOREST GREEN | |
| | | | 886653G04 RED | |
| | | | 886653G05 ORANGE | |
| 8 | 886654GXX | | PANEL ASSEMBLY, PASSENGER SIDE..... 886654G01 SAFETY YELLOW 886654G02 ARCTIC WHITE 886654G03 FOREST GREEN 886654G04 RED 886654G05 ORANGE | 1 |
| 9 | 886655GXX | | PANEL ASSEMBLY, DRIVER SIDE | 1 |
| | | | 886655G01 SAFETY YELLOW | |
| | | | 886655G02 ARCTIC WHITE | |
| | | | 886655G03 FOREST GREEN | |
| | | | 886655G04 RED | |
| | | | 886655G05 ORANGE | |
| 10 | 886740G01 | | HARDWARE KIT (INCLUDES ITEMS 11 - 18) | 1 |
| 11 | 800026 | | ROUND HEAD PHILLIPS SCREW, 1/4" - 20 X 3/4" LG | 14 |
| 12 | 308090 | | FLAT WASHER, 1/4" | 14 |
| 13 | 306396 | | LOCK WASHER, 1/4" | 14 |
| 14 | 306375 | | HEX NUT, 1/4" - 20 | 14 |
| 15 | 112050 | | TAPPING SCREW, 1/4" - 20 X 5/8" LG | 10 |
| 16 | 808222 | | CONNECTOR LINK (NOT ILLUSTRATED) | 2 |
| 17 | * | | TAILGATE CHAIN (NOT ILLUSTRATED) | 2 |
| 18 | 809978 | | CHAIN COVER (NOT ILLUSTRATED) | 2 |

BRAKES - PARK BRAKE

FOR VEHICLES MANUFACTURED BEFORE 14 JUNE 2017



5 EQUALIZER & BRAKE CABLE ASSEMBLY includes items 6 - 8

20 BRAKE LEVER ASSEMBLY includes item 21

BRAKES - PARK BRAKE

THE USE OF NON U.L. PARTS WILL VOID ANY U.L. LISTING.

When ordering parts, please specify the model and serial number of the product.

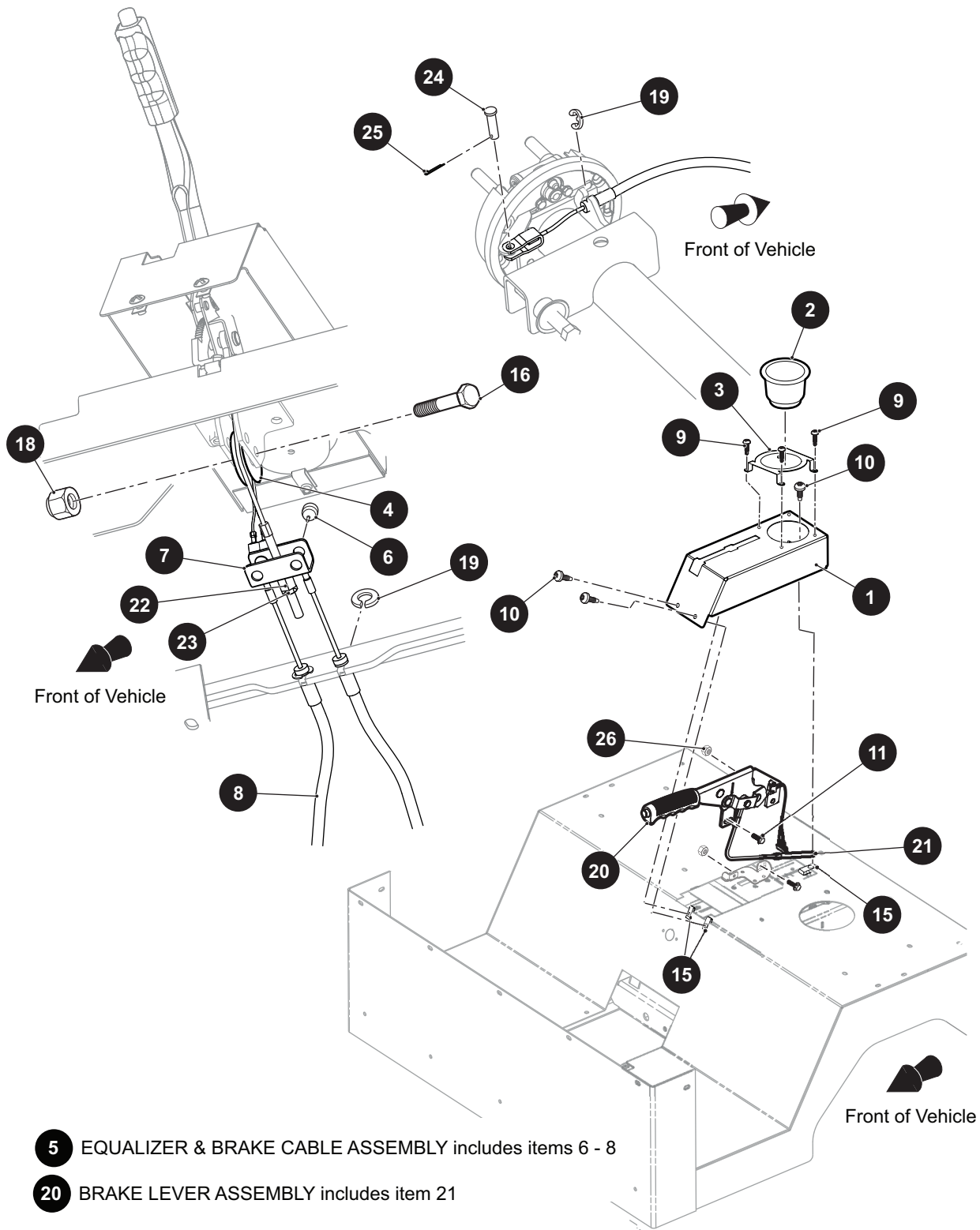
* Indicates a component that is not available as an individual part.

*** Indicates consult Customer Service Department for additional information.

| ITEM | PART NO. | 1 2 3 4 5 | DESCRIPTION | QTY. |
|------|----------|-----------|---|------|
| 1 | 673542 | | PARK BRAKE CONSOLE..... | 1 |
| 2 | 651221 | | CUP HOLDER | 1 |
| 3 | 651922 | | CUP HOLDER BRACKET | 1 |
| 4 | 75789G01 | | BRAKE CABLE PULLEY | 1 |
| 5 | 656402 | | EQUALIZER & BRAKE CABLE ASSEMBLY (INCLUDES ITEMS 6 - 8) | 1 |
| 6 | 28083G01 | | BRAKE COMPENSATOR BUMPER | 2 |
| 7 | 28082G01 | | EQUALIZER BRACKET | 1 |
| 8 | 627529 | | PARK BRAKE CABLE | 2 |
| 9 | 00106G6 | | PAN HEAD PHILLIPS SELF TAPPING SCREW, #12 - 14 X .75" LG..... | 4 |
| 10 | 16705G3 | | TRUSS HEAD PHILLIPS SCREW, 1/4" - 20 X 3/4" LG | 3 |
| 11 | 13437G3 | | HEX HEAD FLANGE BOLT, 5/16" - 18 X 1" LG | 6 |
| 12 | 800290 | | CENTRAL LOCK HEX NUT, 5/16" - 18..... | 4 |
| 13 | 23726G2 | | SPACER | 4 |
| 14 | 652479 | | PULLEY BRACKET | 2 |
| 15 | 14776G1 | | 'J' TYPE RETAINER NUT, 1/4" - 20 | 3 |
| 16 | 00427G4 | | HEX HEAD BOLT, 3/8" - 16 X 1 1/2" LG | 3 |
| 17 | 00560G1 | | FLAT WASHER, 3/8" (TYPE B) | 6 |
| 18 | 00891G5 | | LOCK NUT, 3/8" - 16..... | 3 |
| 19 | 01111G01 | | RETAINING RING, 13/32" | 4 |
| 20 | 652544 | | BRAKE LEVER ASSEMBLY I(INCLUDES ITEM 21)..... | 1 |
| 21 | 652546 | | BRAKE CABLE | 1 |
| 22 | 629486 | | SPHERICAL HEX NUT, 5/16" - 24 | 1 |
| 23 | 00544G4 | | HEX JAM NUT, 5/16" - 24 | 1 |
| 24 | 10386G3 | | CLEVIS PIN, 5/16" X 13/16" | 2 |
| 25 | 10387G3 | | COTTER PIN, 3/32" X 3/4" | 2 |
| 26 | 800290 | | CENTRAL LOCK HEX NUT, 5/16" - 18..... | 2 |
| 27 | 652486 | | BRAKE BRACKET ASSEMBLY | 1 |

BRAKES - PARK BRAKE

FOR VEHICLES MANUFACTURED AFTER 14 JUNE 2017



BRAKES - PARK BRAKE

THE USE OF NON U.L. PARTS WILL VOID ANY U.L. LISTING.

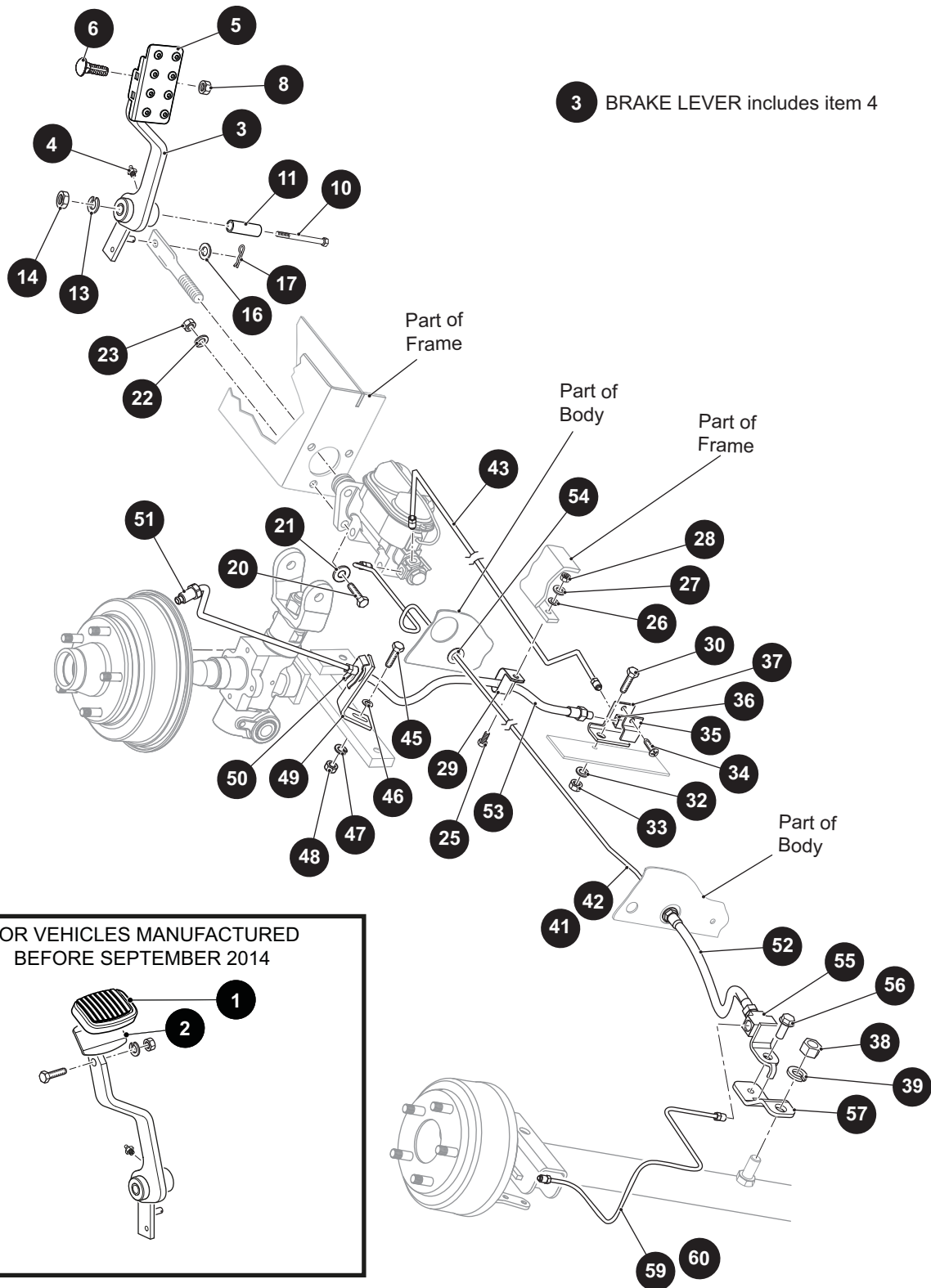
When ordering parts, please specify the model and serial number of the product.

* Indicates a component that is not available as an individual part.

*** Indicates consult Customer Service Department for additional information.

| ITEM | PART NO. | 1 2 3 4 5 | DESCRIPTION | QTY. |
|------|----------|-----------|---|------|
| 1 | 673542 | | PARK BRAKE CONSOLE..... | 1 |
| 2 | 651221 | | CUP HOLDER | 1 |
| 3 | 651922 | | CUP HOLDER BRACKET | 1 |
| 4 | 75789G01 | | BRAKE CABLE PULLEY | 1 |
| 5 | 656402 | | EQUALIZER & BRAKE CABLE ASSEMBLY (INCLUDES ITEMS 6 - 8) | 1 |
| 6 | 28083G01 | | BRAKE COMPENSATOR BUMPER | 2 |
| 7 | 28082G01 | | EQUALIZER BRACKET | 1 |
| 8 | 627529 | | PARK BRAKE CABLE | 2 |
| 9 | 00106G6 | | PAN HEAD PHILLIPS SELF TAPPING SCREW, #12 - 14 X .75" LG..... | 4 |
| 10 | 16705G3 | | TRUSS HEAD PHILLIPS SCREW, 1/4" - 20 X 3/4" LG | 3 |
| 11 | 13437G3 | | HEX HEAD FLANGE BOLT, 5/16" - 18 X 1" LG | 2 |
| 12 | | | | |
| 13 | | | | |
| 14 | | | | |
| 15 | 14776G1 | | 'J' TYPE RETAINER NUT, 1/4" - 20 | 3 |
| 16 | 00427G4 | | HEX HEAD BOLT, 3/8" - 16 X 1 1/2" LG | 1 |
| 17 | | | | |
| 18 | 11098G5 | | LOCK NUT, 3/8" - 16..... | 1 |
| 19 | 01111G01 | | RETAINING RING, 13/32" | 4 |
| 20 | 652544 | | BRAKE LEVER ASSEMBLY (INCLUDES ITEM 21)..... | 1 |
| 21 | 652546 | | BRAKE CABLE | 1 |
| 22 | 629486 | | SPHERICAL HEX NUT, 5/16" - 24 | 1 |
| 23 | 00544G4 | | HEX JAM NUT, 5/16" - 24 | 1 |
| 24 | 10386G3 | | CLEVIS PIN, 5/16" X 13/16" | 2 |
| 25 | 10387G3 | | COTTER PIN, 3/32" X 3/4" | 2 |
| 26 | 800290 | | CENTRAL LOCK HEX NUT, 5/16" - 18..... | 2 |

BRAKES - HYDRAULIC BRAKE



BRAKES - HYDRAULIC BRAKE

THE USE OF NON U.L. PARTS WILL VOID ANY U.L. LISTING.

When ordering parts, please specify the model and serial number of the product.

* Indicates a component that is not available as an individual part.

*** Indicates consult Customer Service Department for additional information.

| ITEM | PART NO. | 1 2 3 4 5 | DESCRIPTION | QTY. |
|------|----------|-----------|---|------|
| 1 | 810152 | | PEDAL COVER..... (FOR VEHICLES MANUFACTURED BEFORE SEPTEMBER 2014) | 1 |
| 2 | 875212 | | BRAKE PEDAL..... (FOR VEHICLES MANUFACTURED BEFORE SEPTEMBER 2014) | 1 |
| 3 | 601097 | | BRAKE LEVER (INCLUDES ITEM 4)..... | 1 |
| 4 | 2702168 | | GREASE FITTING..... | 1 |
| 5 | 840419 | | SPEED CONTROL PEDAL..... (FOR VEHICLES MANUFACTURED FROM SEPTEMBER 2014) | 1 |
| 6 | 800557 | | C BOLT, 5/16" - 18 X .75" LG..... | 1 |
| 7 | | | | |
| 8 | 00891G3 | | LOCK NUT, 5/16" - 18..... | 1 |
| 9 | | | | |
| 10 | 311397 | | HEX HEAD BOLT, 7/16" - 14 X 3" LG..... | 1 |
| 11 | 837612 | | BUSHING, .45" I.D X .62" O.D X 1.81" LG..... | 1 |
| 12 | | | | |
| 13 | 303269 | | LOCK WASHER, 7/16"..... | 1 |
| 14 | 304364 | | HEX NUT, 7/16" - 14..... | 1 |
| 15 | | | | |
| 16 | 103867 | | FLAT WASHER, 5/16"..... | 1 |
| 17 | 306328 | | COTTER PIN, .90" X .75"..... | 1 |
| 18 | | | | |
| 19 | | | | |
| 20 | 306835 | | HEX HEAD BOLT, 3/8" - 16 X 1 1/4" LG..... | 3 |
| 21 | 603620 | | FLAT WASHER, 3/8"..... | 1 |
| 22 | 120177 | | LOCK WASHER, 3/8"..... | 3 |
| 23 | 306562 | | HEX NUT, 3/8" - 16..... | 3 |
| 24 | | | | |
| 25 | 800026 | | PAN HEAD MACHINE SCREW, 1/4" - 20 X 3/4" LG..... | 2 |
| 26 | 308090 | | FLAT WASHER, 1/4"..... | 2 |
| 27 | 306396 | | LOCK WASHER, 1/4"..... | 2 |
| 28 | 306375 | | HEX NUT, 1/4" - 20..... | 2 |
| 29 | 817320 | | WIRE CLAMP..... | 2 |

BRAKES - HYDRAULIC BRAKE

THE USE OF NON U.L. PARTS WILL VOID ANY U.L. LISTING.

When ordering parts, please specify the model and serial number of the product.

* Indicates a component that is not available as an individual part.

*** Indicates consult Customer Service Department for additional information.

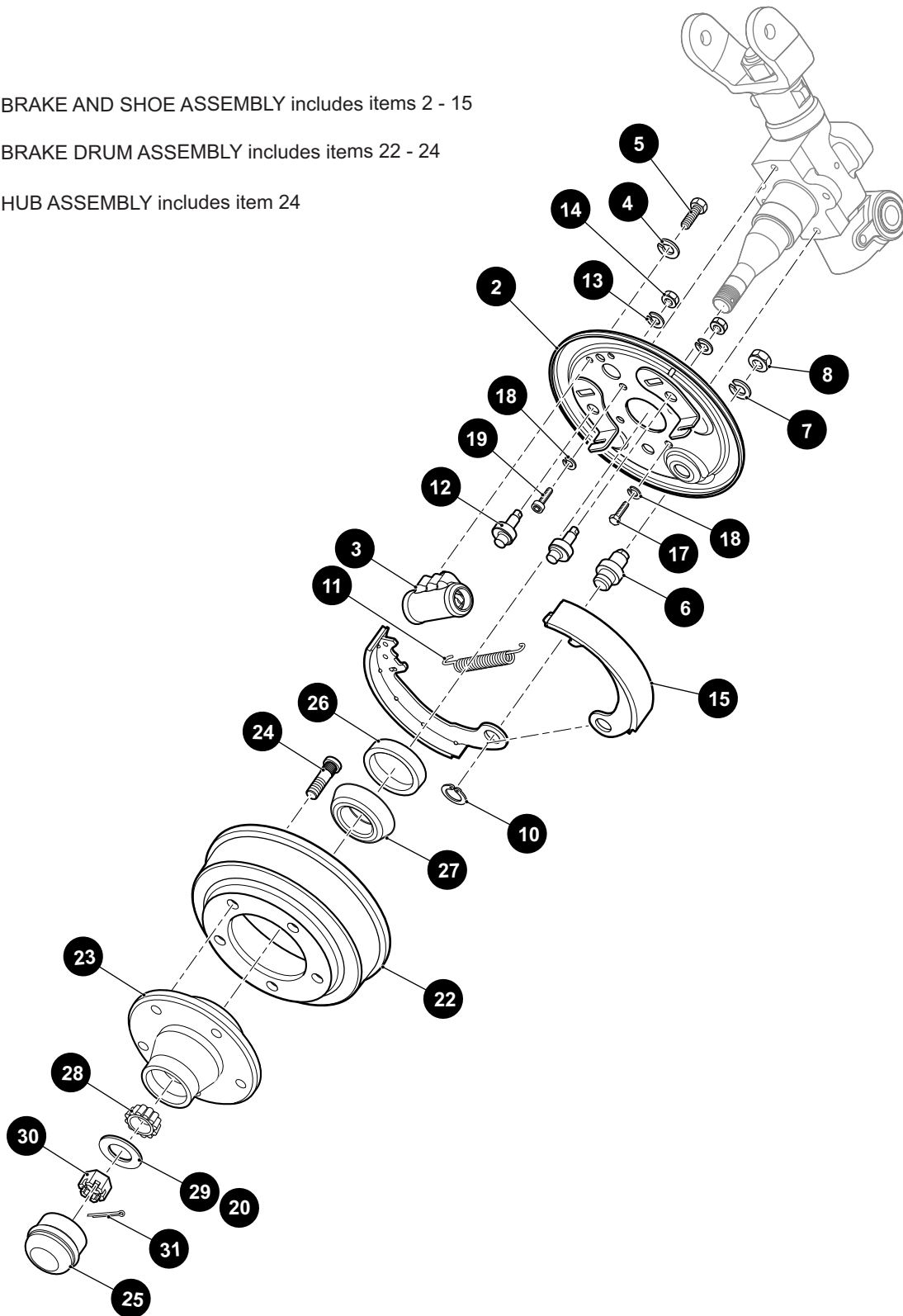
| ITEM | PART NO. | 1 2 3 4 5 | DESCRIPTION | QTY. |
|------|----------|-----------|--|------|
| 30 | 306835 | | HEX HEAD BOLT, 3/8" - 16 X 1 1/4" LG..... | 1 |
| 31 | 26469G01 | | MALE BRANCH TEE (NOT ILLUSTRATED)..... | 1 |
| 32 | 120177 | | LOCK WASHER, 3/8"..... | 1 |
| 33 | 306562 | | HEX NUT, 3/8" - 16..... | 1 |
| 34 | 112050 | | TAPPING SCREW, 1/4" - 20 X 5/8" LG..... | 1 |
| 35 | 832584 | | TEE MOUNTING CLAMP..... | 1 |
| 36 | 820008 | | TEE, UNION..... | 1 |
| 37 | 832585 | | BRACKET..... | 1 |
| 38 | 306562 | | HEX NUT, 3/8" - 16..... | 1 |
| 39 | 120177 | | LOCK WASHER, 3/8"..... | 1 |
| 40 | | | | |
| 41 | 639743 | | REAR BRAKE LINE..... | 1 |
| 42 | 600467 | | REAR BRAKE LINE..... | 1 |
| 43 | 614322 | | FRONT BRAKE LINE..... | 1 |
| 44 | | | | |
| 45 | 302030 | | HEX HEAD BOLT, 1/4" - 20 X 1 1/4" LG..... | 2 |
| 46 | 308090 | | FLAT WASHER, 1/4"..... | 2 |
| 47 | 306396 | | LOCK WASHER, 1/4"..... | 2 |
| 48 | 306375 | | HEX NUT, 1/4" - 20..... | 2 |
| 49 | 830021 | | FRONT HOSE MOUNTING BRACKET..... | 2 |
| 50 | 809137 | | CLIP..... | 2 |
| 51 | 830019 | | HYDRAULIC BRAKE TUBE..... | 2 |
| 52 | 832587 | | FLEXIBLE HOSE, 18" LG..... | 1 |
| 53 | 832590 | | FLEXIBLE HOSE, 25" LG..... | 2 |
| 54 | 809231 | | GROMMET..... | 1 |
| 55 | 21103-G1 | | BRAKE LINE TEE..... | 1 |
| 56 | 112050 | | TAPPING SCREW, 1/4" - 20 X 5/8" LG..... | 1 |
| 57 | 601791 | | HYDRAULIC BRAKE FITTING BRACKET..... | 1 |
| 58 | 12416G2 | | NYLON CLAMP, 10" LG (NOT ILLUSTRATED)..... | 1 |
| 59 | 600470 | | REAR BRAKE LINE (DRIVER SIDE)..... | 1 |
| 60 | 600471 | | REAR BRAKE LINE (PASSENGER SIDE)..... | 1 |

BRAKES - FRONT BRAKE

1 BRAKE AND SHOE ASSEMBLY includes items 2 - 15

21 BRAKE DRUM ASSEMBLY includes items 22 - 24

23 HUB ASSEMBLY includes item 24



BRAKES - FRONT BRAKE

THE USE OF NON U.L. PARTS WILL VOID ANY U.L. LISTING.

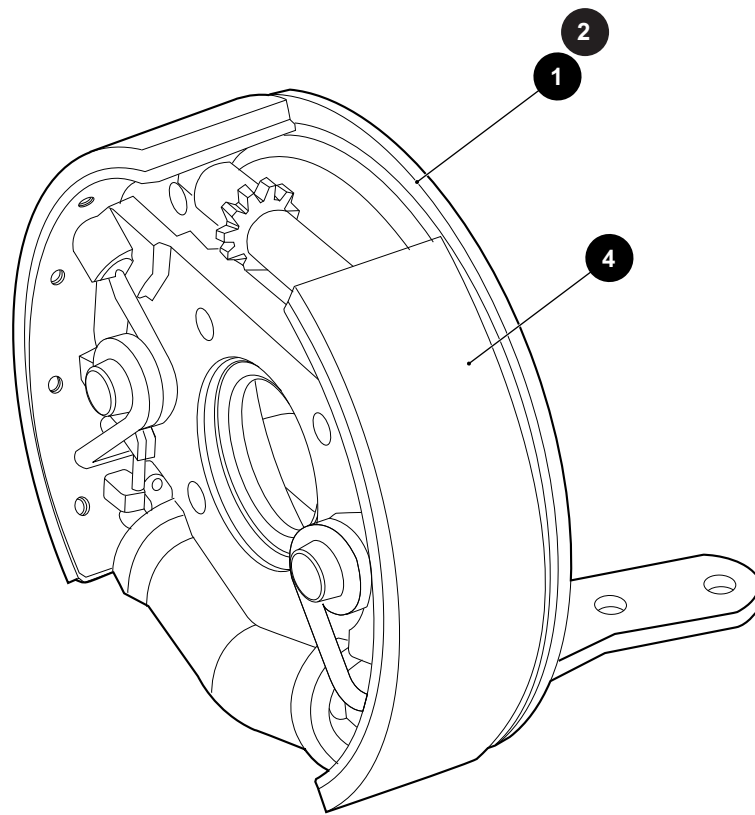
When ordering parts, please specify the model and serial number of the product.

* Indicates a component that is not available as an individual part.

*** Indicates consult Customer Service Department for additional information.

| ITEM | PART NO. | 1 2 3 4 5 | DESCRIPTION | QTY. |
|------|----------|-----------|---|------|
| 1 | 886292 | | BRAKE AND SHOE ASSEMBLY (INCLUDES ITEMS 2 - 15) | 2 |
| 2 | * | | BACKING PLATE | 1 |
| 3 | 886371 | | WHEEL CYLINDER | 1 |
| 4 | 306396 | | LOCK WASHER, 1/4" | 2 |
| 5 | 306419 | | HEX HEAD BOLT, 1/4" - 20 X 1/2" LG | 2 |
| 6 | 829348 | | HEEL PIN | 1 |
| 7 | 306494 | | LOCK WASHER, 5/8" | 1 |
| 8 | 304104 | | HEX NUT, 5/8" - 18 | 1 |
| 9 | | | | |
| 10 | 809252 | | RETAINING RING | 1 |
| 11 | 805441 | | SPRING | 1 |
| 12 | 806761 | | ADJUSTMENT PIN | 2 |
| 13 | 306353 | | LOCK WASHER, 3/8" | 2 |
| 14 | 306319 | | HEX NUT, 3/8" - 24 | 2 |
| 15 | 887284 | | BRAKE SHOE (REPLACE BOTH SHOES ON BOTH WHEELS) | 4 |
| 16 | | | | |
| 17 | 306450 | | HEX HEAD BOLT, 5/16" - 18 X 3/4" LG | 6 |
| 18 | 306325 | | LOCK WASHER, 5/16" | 6 |
| 19 | 330747 | | SOCKET HEAD CAP SCREW, 5/16" - 18 X 3/4" LG | 2 |
| 20 | 103960 | | FLAT WASHER, 0.75" X 1.50" X 0.13" LG | 1 |
| 21 | 886226 | | BRAKE DRUM ASSEMBLY (INCLUDES ITEMS 22 - 24) | 2 |
| 22 | 829247 | | BRAKE DRUM | 1 |
| 23 | 886223 | | HUB ASSEMBLY (INCLUDES ITEM 24) | 1 |
| 24 | 819804 | | LUG BOLT, 7/16" - 20 X 1 3/4" LG | 5 |
| 25 | 817250 | | SPINDLE CAP | 2 |
| 26 | 829256 | | SEAL | 2 |
| 27 | 886488 | | CONE BEARING | 2 |
| 28 | 882582 | | CONE BEARING AND ROLLER | 2 |
| 29 | 21830G1 | | BRAKE DRUM WASHER, 3/4" | 2 |
| 30 | 2702247 | | CASTLE NUT, 3/4" - 16 | 2 |
| 31 | 10387G1 | | COTTER PIN, 1/8" X 1 1/8" LG | 2 |

BRAKES - REAR BRAKE



BRAKES - REAR BRAKE

THE USE OF NON U.L. PARTS WILL VOID ANY U.L. LISTING.

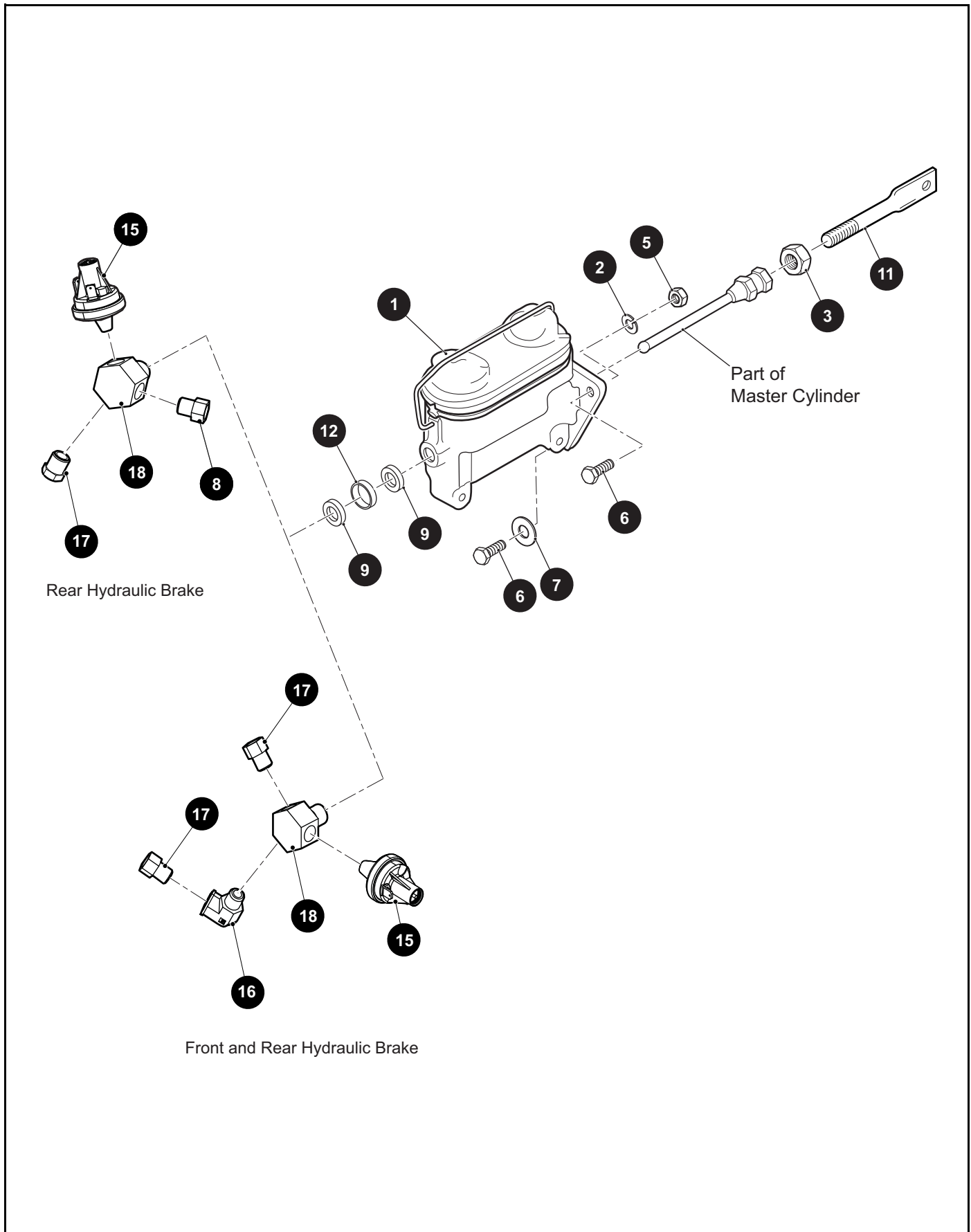
When ordering parts, please specify the model and serial number of the product.

* Indicates a component that is not available as an individual part.

*** Indicates consult Customer Service Department for additional information.

| ITEM | PART NO. | 1 2 3 4 5 | DESCRIPTION | QTY. |
|------|----------|-----------|---------------------------------------|------|
| 1 | 644398 | | BRAKE ASSEMBLY (DRIVER SIDE) | 1 |
| 2 | 644397 | | BRAKE ASSEMBLY (PASSENGER SIDE) | 1 |
| 3 | | | | |
| 4 | 665251 | | BRAKE SHOE ASSEMBLY | 1 |

BRAKES - MASTER CYLINDER



BRAKES - MASTER CYLINDER

THE USE OF NON U.L. PARTS WILL VOID ANY U.L. LISTING.

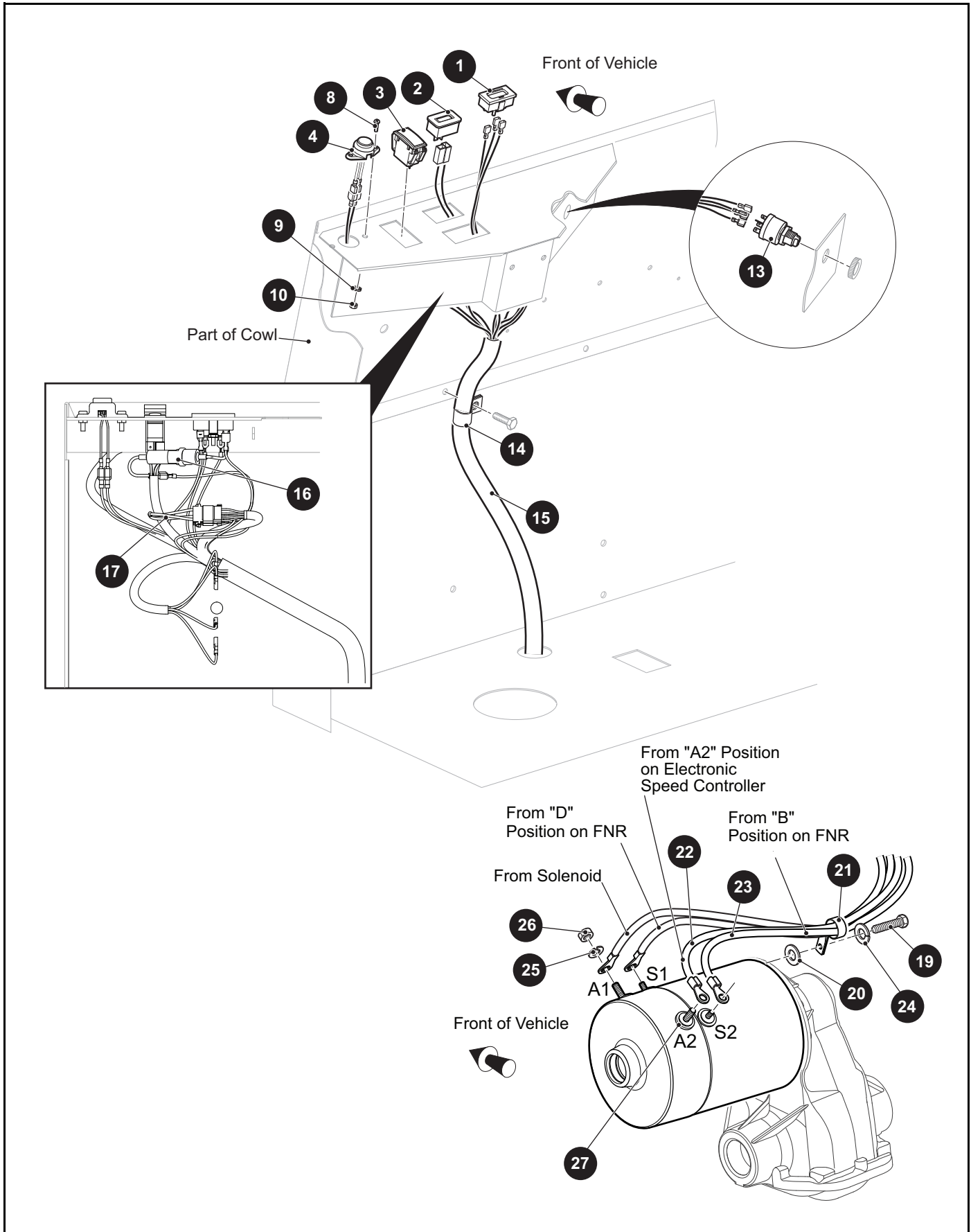
When ordering parts, please specify the model and serial number of the product.

* Indicates a component that is not available as an individual part.

*** Indicates consult Customer Service Department for additional information.

| ITEM | PART NO. | 1 2 3 4 5 | DESCRIPTION | QTY. |
|------|----------|-----------|--|------|
| 1 | 886752 | | MASTER CYLINDER | 1 |
| 2 | 120177 | | LOCK WASHER, 3/8" | 3 |
| 3 | 00532G8 | | HEX NUT, 1/4" - 20..... | 1 |
| 4 | | | | |
| 5 | 306562 | | HEX NUT, 3/8" - 16..... | 3 |
| 6 | 306835 | | HEX HEAD BOLT, 3/8" - 16 X 1 1/4" LG | 3 |
| 7 | 603620 | | FLAT WASHER, 3/8" | 1 |
| 8 | 809423 | | PLUG, 1/8" - 27 | 1 |
| 9 | 810443 | | SEALING WASHER, .512" I.D. X .812" O.D | 2 |
| 10 | | | | |
| 11 | 829158 | | BRAKE ROD | 1 |
| 12 | 829844 | | BUSHING | 1 |
| 13 | | | | |
| 14 | | | | |
| 15 | 620274 | | STOPLIGHT SWITCH..... | 1 |
| 16 | 635542 | | FITTING | 1 |
| 17 | 33724G01 | | INVERTED FLARE FITTING | 2 |
| 18 | 26469G01 | | MALE BRANCH TEE | 1 |

ELECTRICAL SYSTEM - 36V



ELECTRICAL SYSTEM - 36V

THE USE OF NON U.L. PARTS WILL VOID ANY U.L. LISTING.

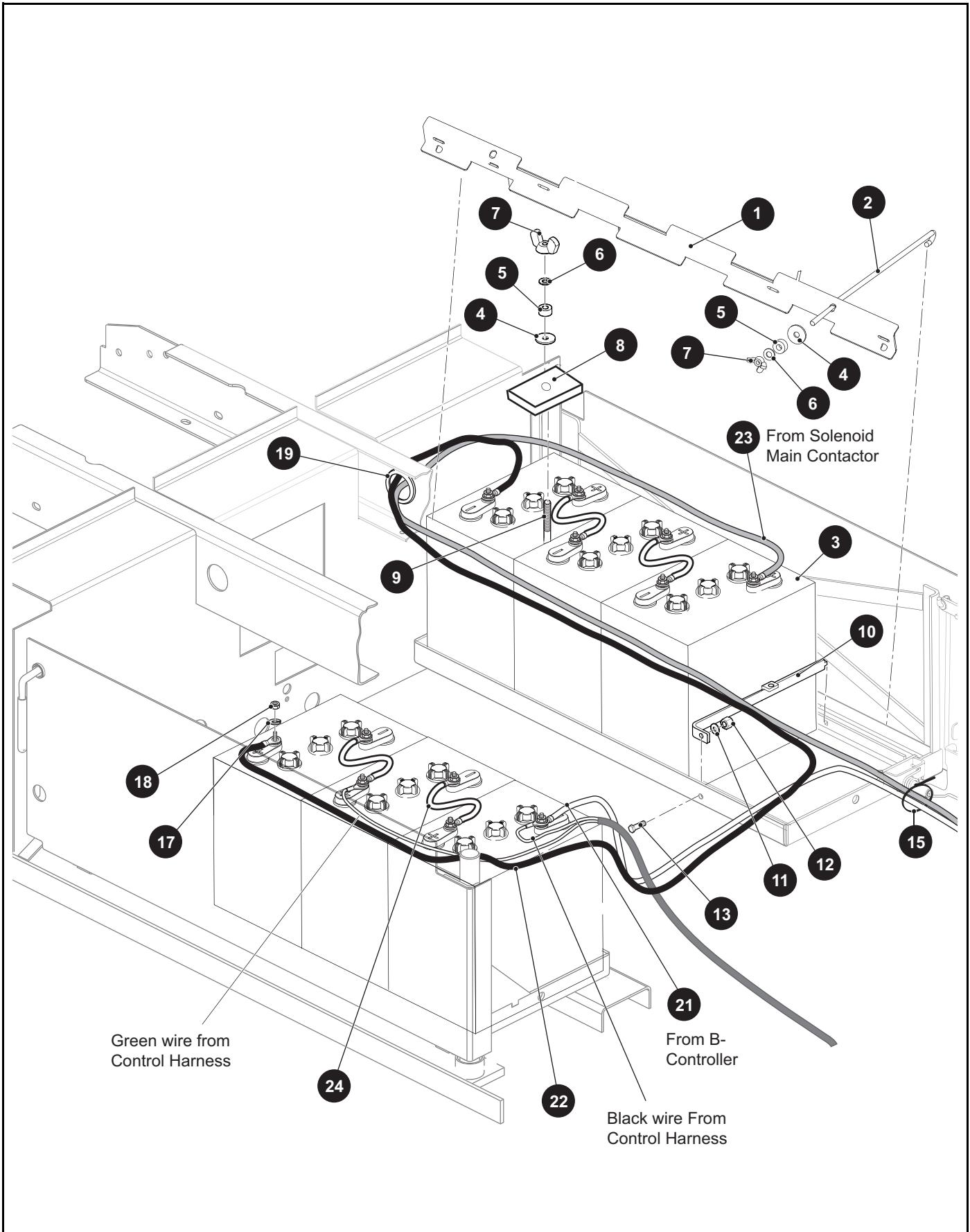
When ordering parts, please specify the model and serial number of the product.

* Indicates a component that is not available as an individual part.

*** Indicates consult Customer Service Department for additional information.

| ITEM | PART NO. | 1 2 3 4 5 | DESCRIPTION | QTY. |
|------|----------|-----------|--|------|
| 1 | 33636G01 | | STATE OF CHARGE METER, 36V | 1 |
| 2 | 620133 | | HOUR METER..... | 1 |
| 3 | 836354 | | DIRECTION SELECTOR..... | 1 |
| 4 | 806791 | | HORN BUTTON..... | 1 |
| 5 | 600921 | | WIRE ASSEMBLY, 18AWG..... | 1 |
| 6 | | | | |
| 7 | | | | |
| 8 | 800296 | | PAN HEAD MACHINE SCREW, #10 - 24 X 3/4" LG | 2 |
| 9 | 120052 | | LOCK WASHER, .194" | 2 |
| 10 | 00526G3 | | HEX NUT, #10 - 24 | 2 |
| 11 | | | | |
| 12 | | | | |
| 13 | 33639G01 | | IGNITION SWITCH WITH LIGHTS..... | 1 |
| 14 | 11845G3 | | WIRE CLAMP | 1 |
| 15 | 633049 | | CONTROL HARNESS | 1 |
| 16 | 609067 | | HARNESS FUSE | 1 |
| 17 | 75711G01 | | TAILLIGHT JUMPER PLUG | 1 |
| 18 | | | | |
| 19 | 00797G2 | | HEX HEAD BOLT, 1/4" - 20 X 1 1/4" LG | 3 |
| 20 | 00559G7 | | FLAT WASHER, 1/4"..... | 3 |
| 21 | 27327G02 | | TWISTED CLAMP | 1 |
| 22 | 600556 | | POWER HARNESS, 36V..... | 1 |
| 23 | 633006 | | FNR HARNESS, 36V | 1 |
| 24 | 00664G7 | | LOCK WASHER, #1/4 | 3 |
| 25 | 00993G01 | | LOCK WASHER, 5/16" | 1 |
| 26 | 28418G01 | | HEX NUT, 5/16" - 18 | 4 |
| 27 | 829997 | | GROMMET, 2.0" | 4 |
| 28 | | | | |
| 29 | | | | |
| 30 | | | | |
| 31 | | | | |

ELECTRICAL SYSTEM - 36V



ELECTRICAL SYSTEM - 36V

THE USE OF NON U.L. PARTS WILL VOID ANY U.L. LISTING.

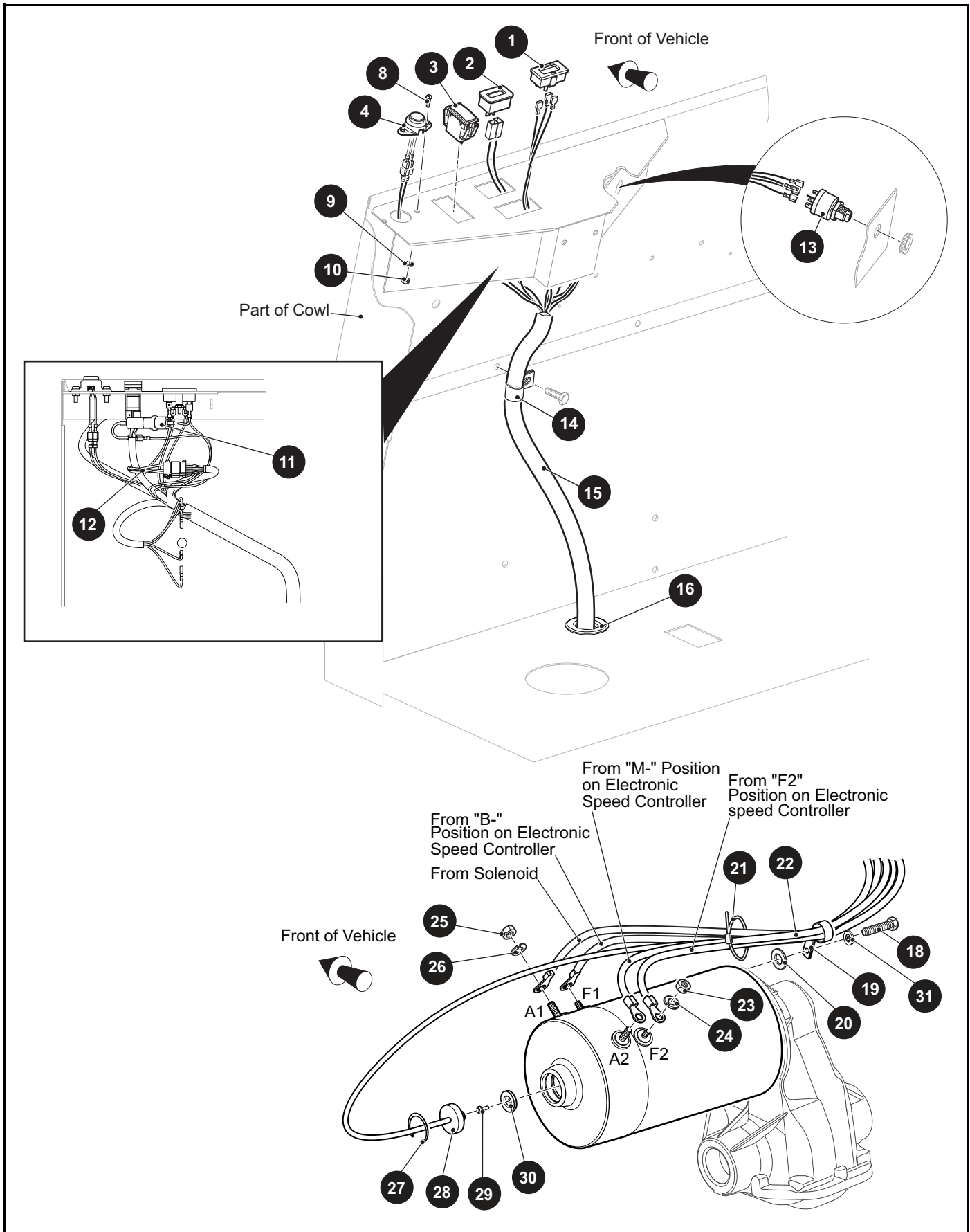
When ordering parts, please specify the model and serial number of the product.

* Indicates a component that is not available as an individual part.

*** Indicates consult Customer Service Department for additional information.

| ITEM | PART NO. | 1 2 3 4 5 | DESCRIPTION | QTY. |
|------|-----------|-----------|--|------|
| 1 | 2703801.7 | | BATTERY HOLD DOWN (FOR LD ONLY) | 2 |
| 2 | 632211 | | BATTERY HOOK BOLT, 5/16" - 18 X 10 3/4" LG | 2 |
| 3 | *** | | BATTERY | 6 |
| 4 | 809152 | | FLAT WASHER | 8 |
| 5 | 818303 | | SPACER, .38" | 8 |
| 6 | 103867 | | FLAT WASHER, 5/16" | 8 |
| 7 | 800315 | | WING NUT, 5/16" - 18 | 8 |
| 8 | 840695 | | BATTERY HOLD DOWN PLATE (FOR HD ONLY) | 4 |
| 9 | 806954 | | BATTERY HOOK BOLT | 4 |
| 10 | 604651 | | END BAR | 2 |
| 11 | 306396 | | FLAT WASHER, 1/4" | 2 |
| 12 | 306375 | | LOCK NUT, 1/4" - 20 | 2 |
| 13 | 00414G7 | | HEX HEAD BOLT, 1/4" - 20 X 1" LG | 2 |
| 14 | | | | |
| 15 | 17618G1 | | NYLON CLAMP | 7 |
| 16 | | | | |
| 17 | 000565G8 | | LOCK WASHER, 5/16" | 12 |
| 18 | 00702G2 | | HEX NUT, 5/16" - 24 | 1 |
| 19 | 829997 | | RUBBER GROMMET | 1 |
| 20 | | | | |
| 21 | 600552 | | WIRE ASSEMBLY, #4, 117" LG | 1 |
| 22 | 600553 | | WIRE ASSEMBLY, #4, 126" LG | 1 |
| 23 | 600550 | | WIRE ASSEMBLY, #4, 80" LG | 1 |
| 24 | 25971G13 | | WIRE ASSEMBLY, #4, 10" LG | 1 |

ELECTRICAL SYSTEM - 48V



ELECTRICAL SYSTEM - 48V

THE USE OF NON U.L. PARTS WILL VOID ANY U.L. LISTING.

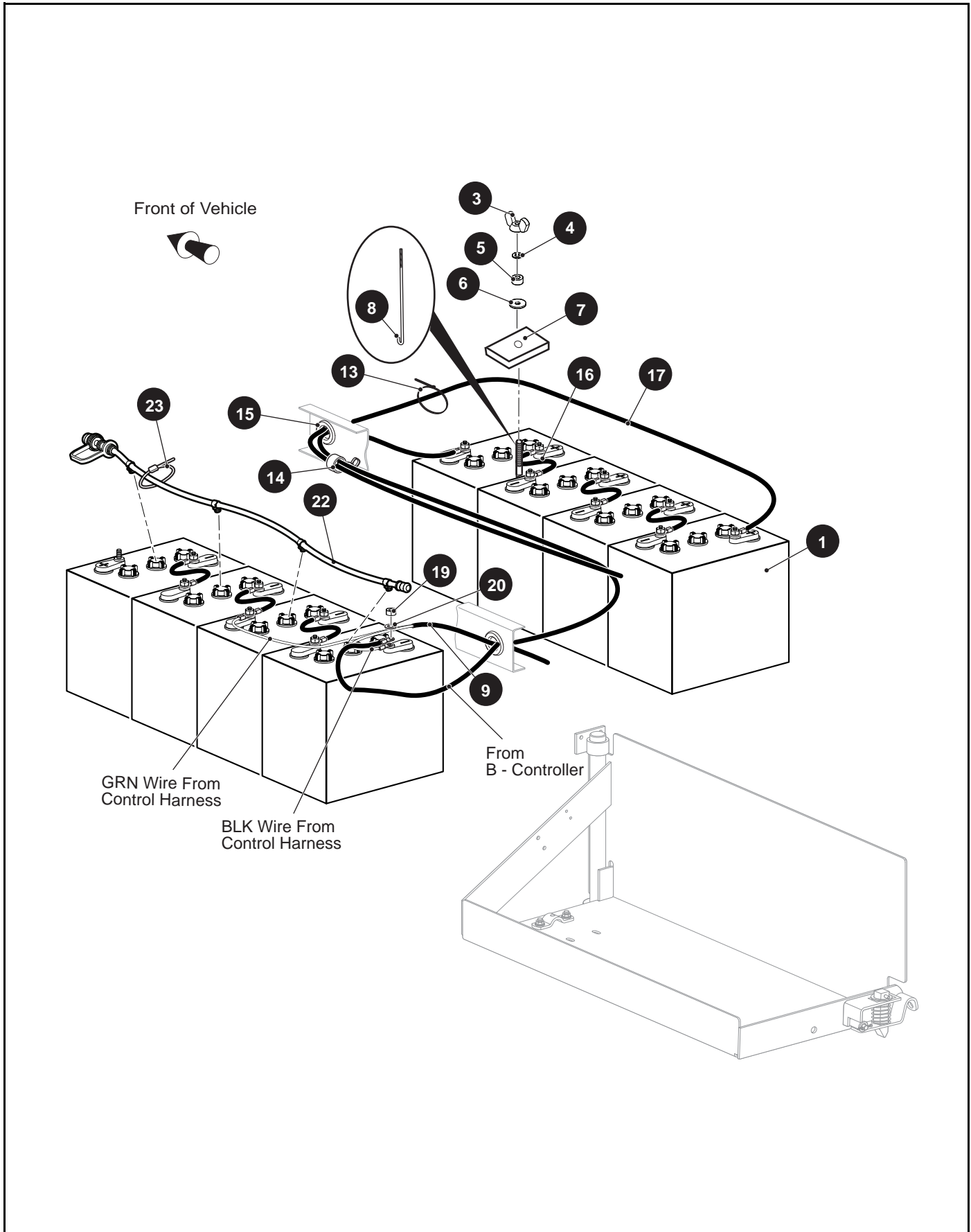
When ordering parts, please specify the model and serial number of the product.

* Indicates a component that is not available as an individual part.

*** Indicates consult Customer Service Department for additional information.

| ITEM | PART NO. | 1 2 3 4 5 | DESCRIPTION | QTY. |
|------|----------|-----------|--|------|
| 1 | 33636G03 | | STATE OF CHARGE METER, 48V | 1 |
| 2 | 620133 | | HOUR METER..... | 1 |
| 3 | 836354 | | DIRECTION SELECTOR..... | 1 |
| 4 | 806791 | | HORN BUTTON..... | 1 |
| 5 | | | | |
| 6 | | | | |
| 7 | | | | |
| 8 | 800296 | | PAN HEAD MACHINE SCREW, #10 - 24 X 3/4" LG | 2 |
| 9 | 120052 | | LOCK WASHER, .194" | 2 |
| 10 | 00526G3 | | HEX NUT, #10 - 24 | 2 |
| 11 | 609067 | | HARNESS FUSE | 1 |
| 12 | 75711G01 | | TAILLIGHT JUMPER PLUG | 1 |
| 13 | 33639G01 | | IGNITION SWITCH WITH LIGHTS..... | 1 |
| 14 | 11845G3 | | WIRE CLAMP | 1 |
| 15 | 600509 | | CONTROL HARNESS | 1 |
| 16 | 828247 | | GROMMET, 2.13" | 1 |
| 17 | | | | |
| 18 | 00797G2 | | HEX HEAD BOLT, 1/4" - 20 X 1 1/4" LG..... | 3 |
| 19 | 27327G02 | | CLAMP..... | 1 |
| 20 | 00559G7 | | FLAT WASHER, #1/4..... | 3 |
| 21 | 17618G1 | | WIRE TIE | 7 |
| 22 | 600785 | | POWER HARNESS | 1 |
| 23 | 28418G02 | | LOCK NUT, 1/4" - 20..... | 2 |
| 24 | 00993G02 | | LOCK WASHER, 1/4" | 2 |
| 25 | 28418G01 | | HEX NUT, 5/16 - 18 | 2 |
| 26 | 00993G01 | | LOCK WASHER, 5/16" | 2 |
| 27 | 73277G01 | | RETAINING RING..... | 1 |
| 28 | 600784 | | SPEED SENSOR..... | 1 |
| 29 | 01037G02 | | SCREW, #10 - 32 X 1/2" LG | 1 |
| 30 | 73328G01 | | MAGNET..... | 1 |
| 31 | 00664G7 | | LOCK WASHER, #1/4 | 3 |

ELECTRICAL SYSTEM - 48V



ELECTRICAL SYSTEM - 48V

THE USE OF NON U.L. PARTS WILL VOID ANY U.L. LISTING.

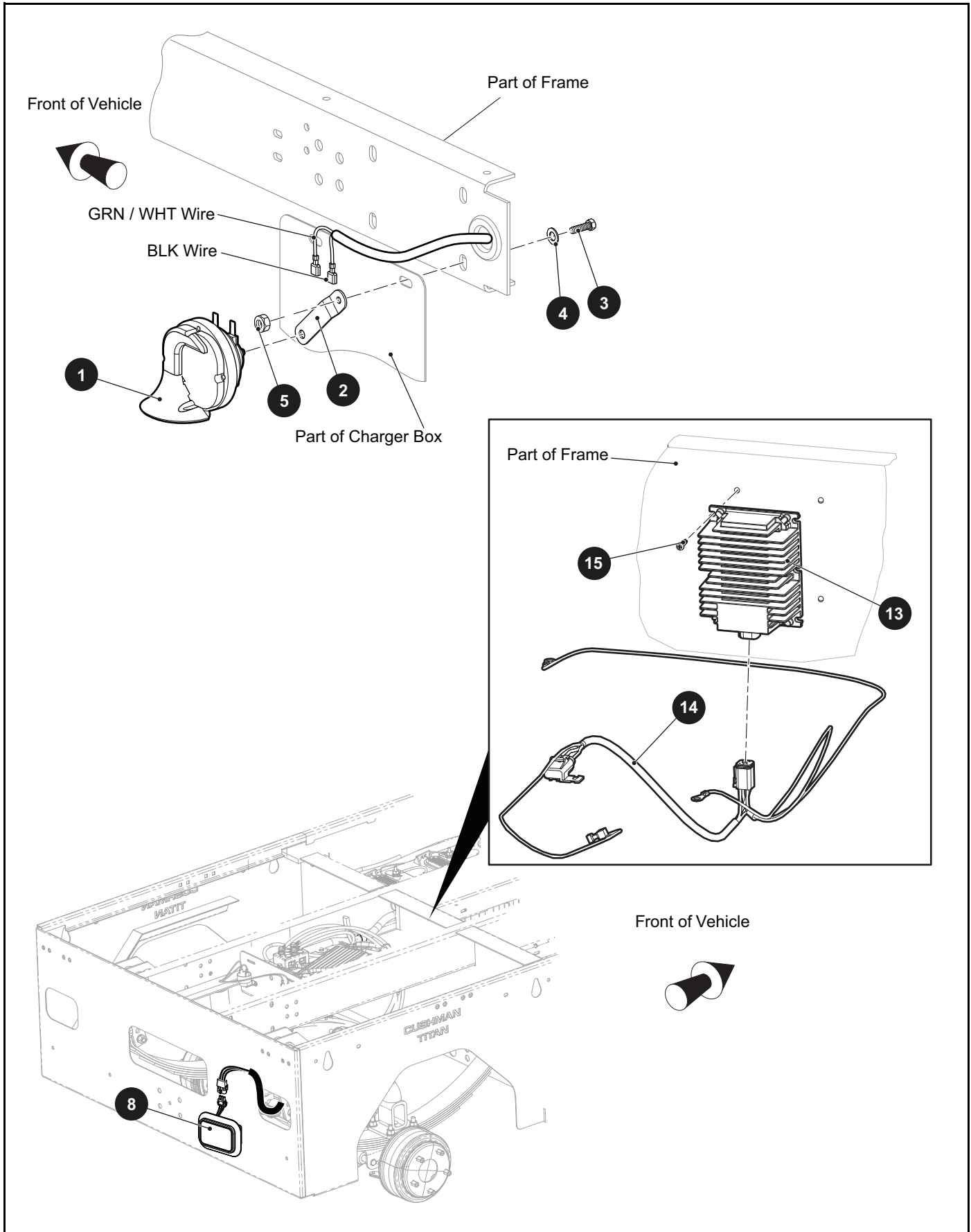
When ordering parts, please specify the model and serial number of the product.

* Indicates a component that is not available as an individual part.

*** Indicates consult Customer Service Department for additional information.

| ITEM | PART NO. | 1 2 3 4 5 | DESCRIPTION | QTY. |
|------|----------|-----------|---|------|
| 1 | *** | | BATTERY | 8 |
| 2 | | | | |
| 3 | 800315 | | WING NUT, 5/16" - 18..... | 4 |
| 4 | 103867 | | FLAT WASHER, 5/16"..... | 4 |
| 5 | 818303 | | SPACER | 4 |
| 6 | 809152 | | FLAT WASHER..... | 4 |
| 7 | 840695 | | BATTERY HOLD DOWN PLATE | 4 |
| 8 | 806954 | | J - BOLT, 5/16" - 18 X 12 1/2" LG | 4 |
| 9 | 600552 | | WIRE ASSEMBLY, #4, 117" LG | 1 |
| 10 | | | | |
| 11 | | | | |
| 12 | | | | |
| 13 | 17618G1 | | NYLON CLAMP | 2 |
| 14 | 73864G02 | | WIRE CLAMP | 9 |
| 15 | 829997 | | RUBBER GROMMET | 2 |
| 16 | 25971G13 | | WIRE ASSEMBLY, #4, 10" LG | 6 |
| 17 | 600553 | | WIRE ASSEMBLY, #4, 126" LG | 1 |
| 18 | | | | |
| 19 | 00702G2 | | HEX NUT, 5/16" - 24 | 1 |
| 20 | 00565G8 | | LOCK WASHER, 5/16" | 12 |
| 21 | | | | |
| 22 | 630974 | | HYDROLINK BATTERY FILL SYSTEM..... | 2 |
| 23 | 615352 | | POLYPROPYLENE CLAMP | 4 |

ELECTRICAL SYSTEM



ELECTRICAL SYSTEM

THE USE OF NON U.L. PARTS WILL VOID ANY U.L. LISTING.

When ordering parts, please specify the model and serial number of the product.

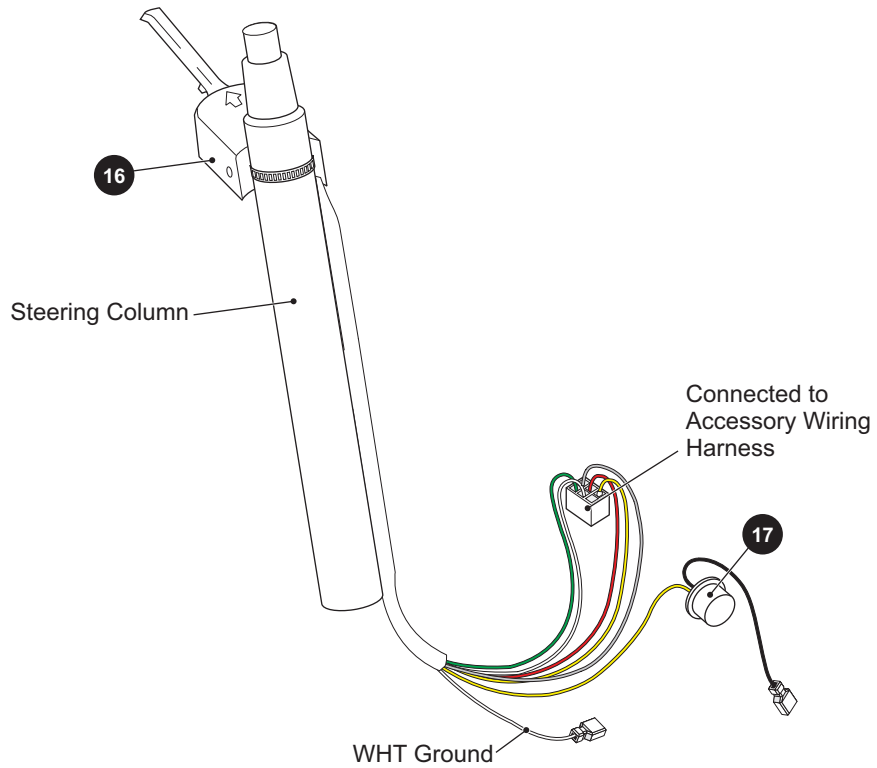
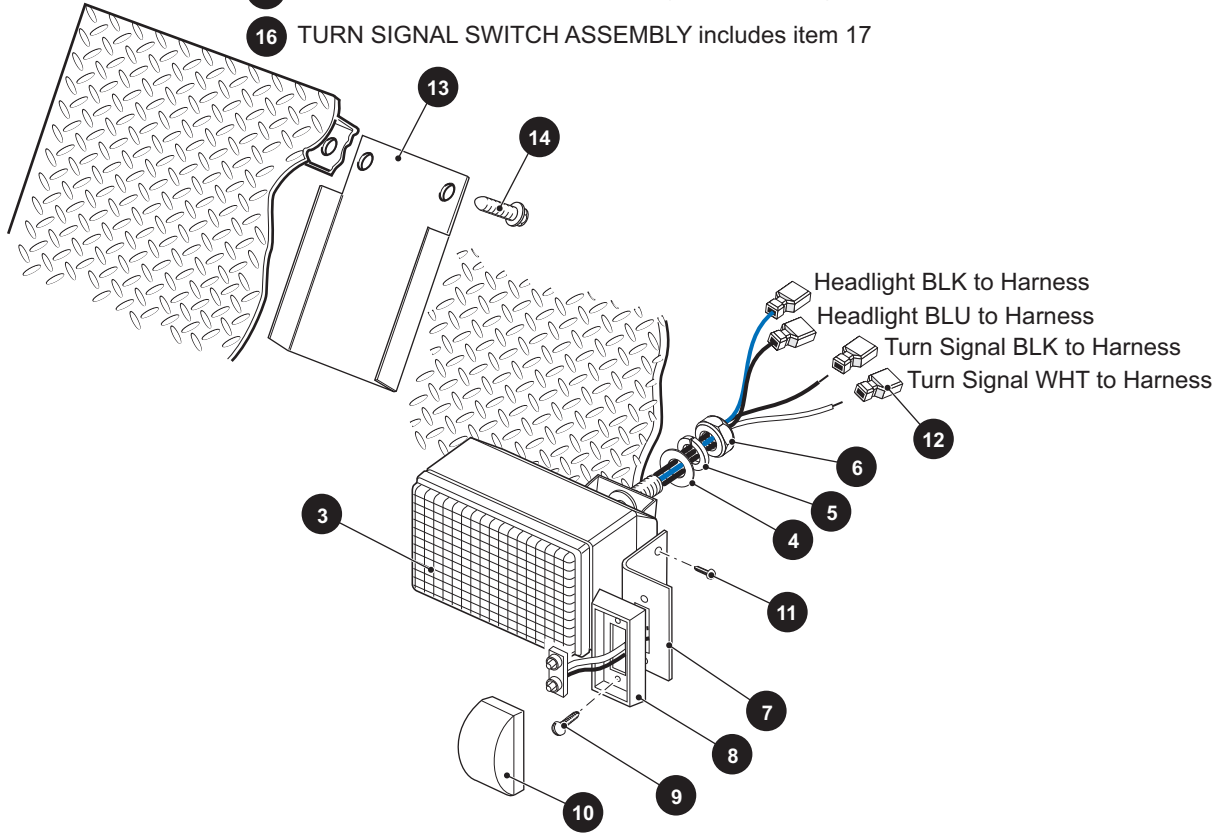
* Indicates a component that is not available as an individual part.

*** Indicates consult Customer Service Department for additional information.

| ITEM | PART NO. | 1 2 3 4 5 | DESCRIPTION | QTY. |
|------|----------|-----------|---|------|
| 1 | 32860G1 | | HORN (INCLUDES ITEM 2) | 1 |
| 2 | * | | BRACKET | 1 |
| 3 | 00438G6 | | HEX HEAD BOLT, 5/16" - 18 X 3/4" LG | 1 |
| 4 | 00559G8 | | FLAT WASHER, 5/16" | 1 |
| 5 | 00532G3 | | HEX NUT, 5/16" - 18 | 1 |
| 6 | | | | |
| 7 | | | | |
| 8 | 32739G3 | | TAILLIGHT | 2 |
| 9 | | | | |
| 10 | 73864G02 | | HARNESS CLAMP, 3/4" (NOT ILLUSTRATED) | 4 |
| 11 | | | | |
| 12 | | | | |
| 13 | 632185 | | DC - DC CONVERTER, 36V - 48V | 1 |
| 14 | 605888 | | DC - DC CONVERTER HARNESS | 1 |
| 15 | 632372 | | TAPPING SCREW, #10 - 32 X 3/4" LG | 4 |

ELECTRICAL SYSTEM

- 1** HEADLIGHT AND TURN SIGNAL (PASSENGER SIDE) includes items 3 - 12
- 2** HEADLIGHT AND TURN SIGNAL (DRIVER SIDE) includes items 3 - 12
- 16** TURN SIGNAL SWITCH ASSEMBLY includes item 17



ELECTRICAL SYSTEM

THE USE OF NON U.L. PARTS WILL VOID ANY U.L. LISTING.

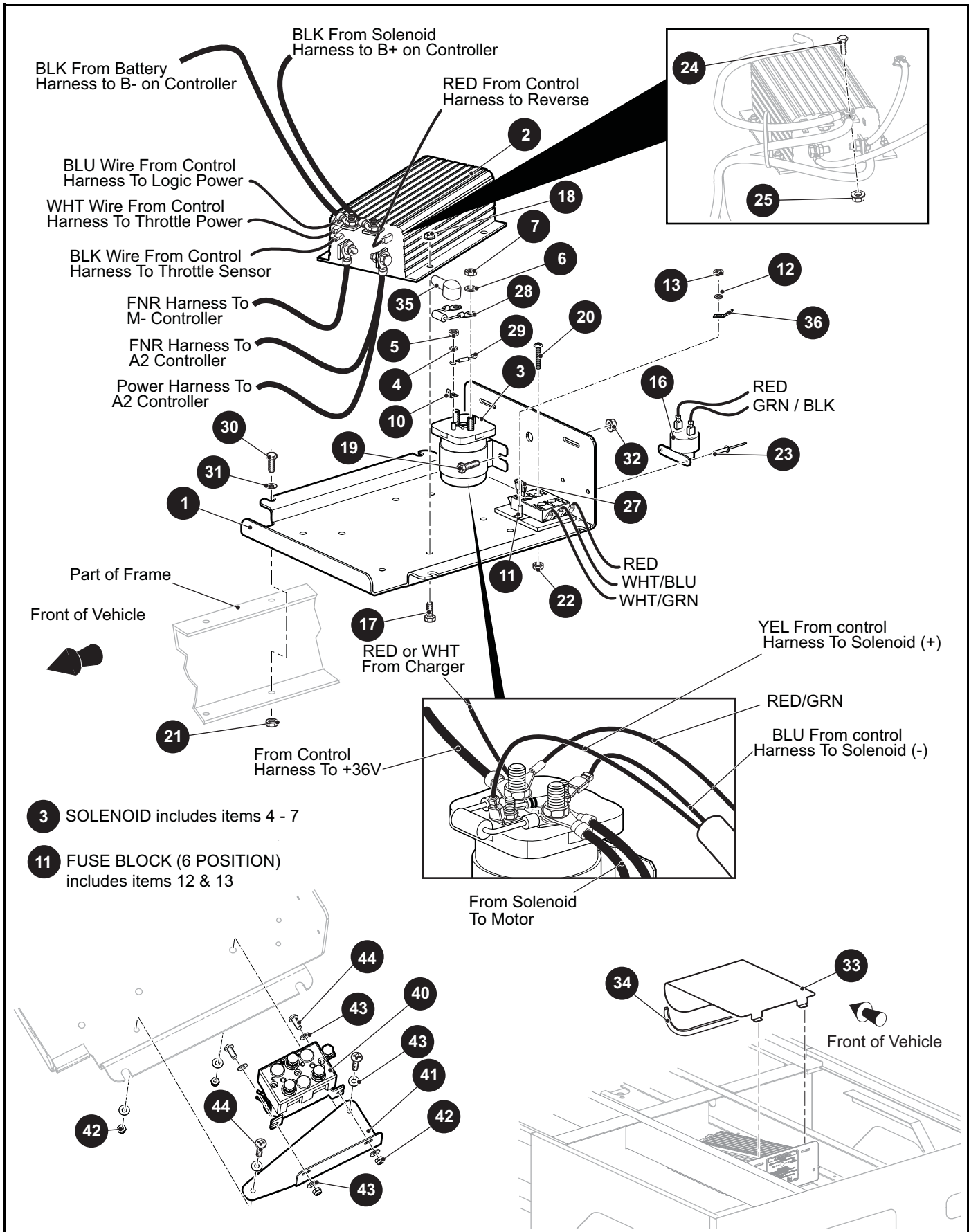
When ordering parts, please specify the model and serial number of the product.

* Indicates a component that is not available as an individual part.

*** Indicates consult Customer Service Department for additional information.

| ITEM | PART NO. | 1 2 3 4 5 | DESCRIPTION | QTY. |
|------|----------|-----------|---|------|
| 1 | 30395G3 | | HEADLIGHT AND TURN SIGNAL (PASSENGER SIDE) (INCLUDES ITEMS 3 - 12) | 1 |
| 2 | 30395G4 | | HEADLIGHT AND TURN SIGNAL (DRIVER SIDE) (INCLUDES ITEMS 3 - 12) | 1 |
| 3 | 30394G2 | | HEADLIGHT (RECTANGULAR) | 2 |
| 4 | 00560G3 | | FLAT WASHER, 1/2" | 2 |
| 5 | 00566G3 | | LOCK WASHER, 1/2" | 2 |
| 6 | 00533G1 | | HEX NUT, 1/2" - 13 | 2 |
| 7 | 21806G1 | | TURN SIGNAL LIGHT BRACKET | 1 |
| 8 | 18927G1 | | ADAPTER MOUNT | 1 |
| 9 | 00984G01 | | SCREW, # 8 - 10 X 1/2" LG | 2 |
| 10 | 19180G2 | | TURN SIGNAL LIGHT | 1 |
| 11 | 00598G4 | | SCREW, #10 - 32 X 1/2" LG | 2 |
| 12 | 17064G2 | | PUSH ON TERMINAL (FEMALE) | 2 |
| 13 | 830237 | | WIRING COVER | 1 |
| 14 | 112050 | | SCREW, TAPPING, 1/4" - 20 X 5/8" LG | 2 |
| 15 | | | | |
| 16 | 611810 | | TURN SIGNAL SWITCH ASSEMBLY (INCLUDES ITEM 17) | 1 |
| 17 | 21640G1 | | TURN SIGNAL FLASHER | 1 |

ELECTRONIC SPEED CONTROL - 36V



ELECTRONIC SPEED CONTROL - 36V

THE USE OF NON U.L. PARTS WILL VOID ANY U.L. LISTING.

When ordering parts, please specify the model and serial number of the product.

* Indicates a component that is not available as an individual part.

*** Indicates consult Customer Service Department for additional information.

| ITEM | PART NO. | 1 2 3 4 5 | DESCRIPTION | QTY. |
|------|----------|-----------|---|------|
| 1 | 600187 | | CONTROLLER MOUNTING PLATE..... | 1 |
| 2 | 73060G01 | | ELECTRONIC SPEED CONTROLLER (36V SYSTEM) | 1 |
| 3 | 20468G1 | | SOLENOID (INCLUDES ITEMS 4 - 7) | 1 |
| 4 | 00565G5 | | LOCK WASHER, #10 | 2 |
| 5 | 00526G4 | | LOCK NUT, #10 - 32..... | 2 |
| 6 | 00565G8 | | LOCK WASHER, 5/16" | 2 |
| 7 | 00544G4 | | JAM NUT, 5/16" - 24 | 2 |
| 8 | | | | |
| 9 | | | | |
| 10 | 73446G01 | | FASTON TAB 90 DEGREE..... | 2 |
| 11 | 35211G01 | | FUSE BLOCK (6 POSITION) (INCLUDES ITEMS 12 - 13)..... | 1 |
| 12 | 00565G5 | | LOCK WASHER, #10 | 1 |
| 13 | 00526G4 | | LOCK NUT, #10 - 32..... | 1 |
| 14 | | | | |
| 15 | | | | |
| 16 | 73290G02 | | CONTINUOUS TONE BUZZER | 1 |
| 17 | 00414G5 | | HEX HEAD BOLT, 1/4" - 20 X 5/8" LG | 4 |
| 18 | 11027G2 | | LOCK NUT, 1/4" - 20..... | 4 |
| 19 | 00414G5 | | HEX HEAD BOLT, 1/4" - 20 X 5/8" LG | 2 |
| 20 | 00379G2 | | SCREW, #10 - 24 X 1 1/4" LG | 2 |
| 21 | 14390G4 | | LOCK NUT, 1/4" - 20..... | 4 |
| 22 | 14390G10 | | LOCK NUT, #10 - 24 | 2 |
| 23 | 01041G01 | | RIVET, 1/8" X 13/16" LG | 2 |
| 24 | 00438G6 | | HEX HEAD BOLT, 5/16" - 18 X 3/4" LG | 4 |
| 25 | 11027G1 | | FLANGED LOCK NUT, 5/16" - 18..... | 4 |
| 26 | 600551 | | 4 GA WIRE SOL - B+ | 1 |
| 27 | 35212G01 | | FUSE, 15 AMP | 3 |
| 28 | 21764G1 | | RESISTOR..... | 1 |
| 29 | 30353G1 | | DIODE, 3 AMP | 1 |
| 30 | 00414G7 | | HEX HEAD BOLT, 1/4" - 20 X 7/8" LG | 4 |
| 31 | 16469G1 | | FLAT WASHER, 1/4" | 4 |

ELECTRONIC SPEED CONTROL - 36V

THE USE OF NON U.L. PARTS WILL VOID ANY U.L. LISTING.

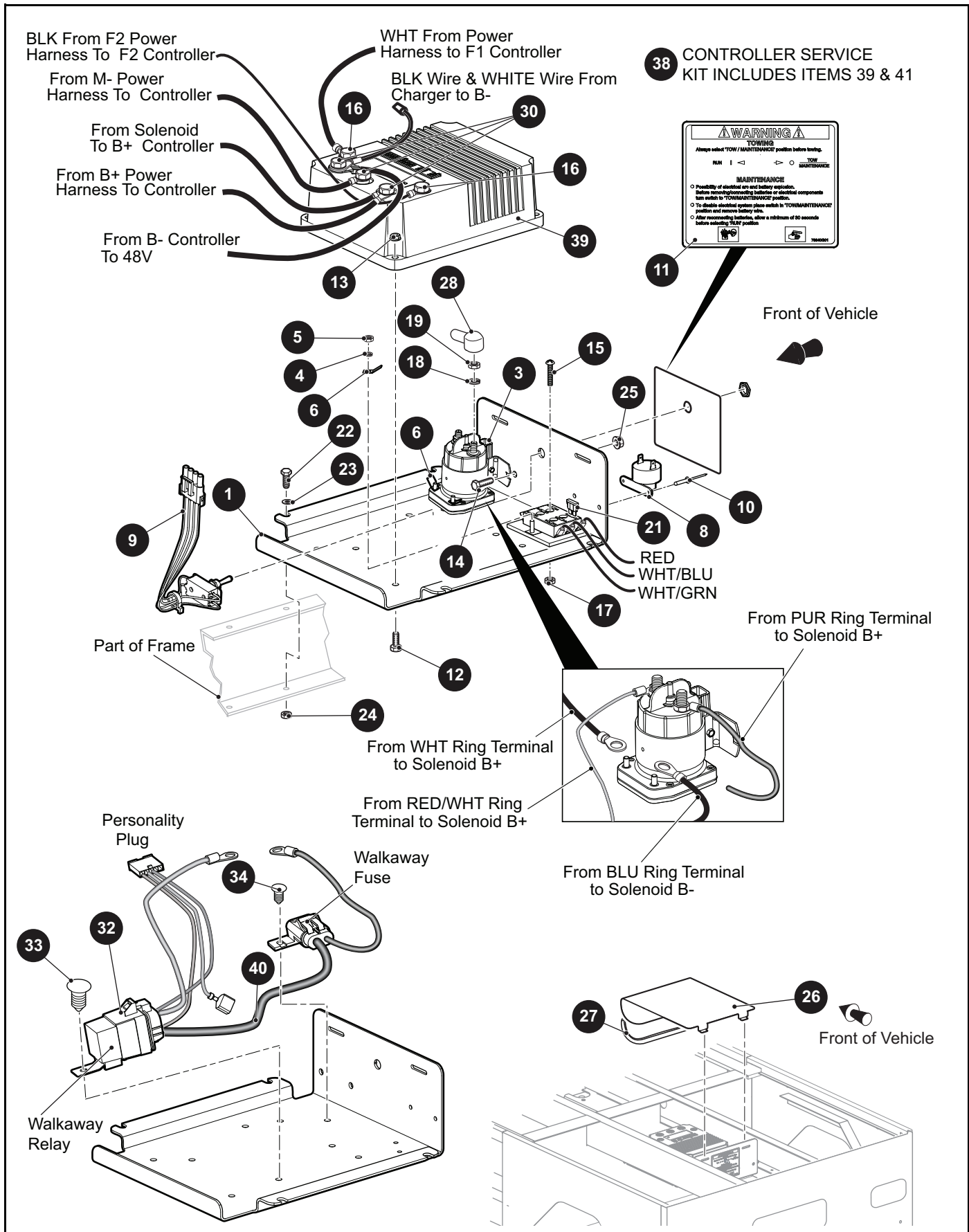
When ordering parts, please specify the model and serial number of the product.

* Indicates a component that is not available as an individual part.

*** Indicates consult Customer Service Department for additional information.

| ITEM | PART NO. | 1 2 3 4 5 | DESCRIPTION | QTY. |
|------|----------|-----------|--------------------------------|------|
| 32 | 11027G2 | | LOCK NUT, 1/4 - 20 | 2 |
| 33 | 600276 | | CONTROLLER COVER | 1 |
| 34 | 22280G1 | | TRIM..... | A/R |
| 35 | 840177 | | TERMINAL BOOT | 1 |
| 36 | 12914G1 | | FASTON TAB - 45 | 1 |
| 37 | | | | |
| 38 | | | | |
| 39 | | | | |
| 40 | 633007 | | CONTACTOR, 36V..... | 1 |
| 41 | 634203 | | CONTACTOR BRACKET | 1 |
| 42 | 14390G10 | | LOCK NUT, #10 - 24 | 4 |
| 43 | 00559G5 | | FLAT WASHER | 8 |
| 44 | 800296 | | SCREW, #10 - 24 X 3/4" LG..... | 4 |

ELECTRONIC SPEED CONTROL - 48V



ELECTRONIC SPEED CONTROL - 48V

THE USE OF NON U.L. PARTS WILL VOID ANY U.L. LISTING.

When ordering parts, please specify the model and serial number of the product.

* Indicates a component that is not available as an individual part.

*** Indicates consult Customer Service Department for additional information.

| ITEM | PART NO. | 1 2 3 4 5 | DESCRIPTION | QTY. |
|------|----------|-----------|---|------|
| 1 | 600187 | | CONTROLLER MOUNTING PLATE..... | 1 |
| 2 | | | | |
| 3 | 621330 | | SOLENOID | 1 |
| 4 | 00565G5 | | LOCK WASHER, #10 | 3 |
| 5 | 00526G4 | | LOCK NUT, #10-32 | 3 |
| 6 | 12914G1 | | FASTON TAB | 3 |
| 7 | 35211G01 | | FUSE BLOCK (6 POSITION) (NOT ILLUSTRATED) | 1 |
| 8 | 73290G02 | | CONTINUOUS TONE BUZZER | 1 |
| 9 | 648593 | | RUN/TOW TOGGLE SWITCH..... | 1 |
| 10 | 01041G01 | | RIVET, 1/8" X 13/16" LG | 2 |
| 11 | 73340G01 | | LABEL - TOW/RUN SWITCH | 1 |
| 12 | 00414G7 | | HEX HEAD BOLT, 1/4" - 20 X 7/8" LG | 4 |
| 13 | 11027G2 | | LOCK NUT, 1/4" - 20..... | 4 |
| 14 | 00414G5 | | HEX HEAD BOLT, 1/4" - 20 X 5/8" LG | 2 |
| 15 | 00379G2 | | SCREW, #10 - 24 X 1 1/4" LG | 2 |
| 16 | 73876G01 | | HEX HEAD BOLT, M6 X 1 X 12MM LG | 2 |
| 17 | 14390G10 | | LOCK NUT, #10 - 24 | 2 |
| 18 | 00565G8 | | LOCK WASHER, 5/16" | 2 |
| 19 | 00544G4 | | JAM NUT, 5/16" - 24 | 2 |
| 20 | 600551 | | 4 GA WIRE..... | 1 |
| 21 | 35212G01 | | FUSE, 15 AMP..... | 3 |
| 22 | 00414G7 | | HEX HEAD BOLT, 1/4" - 20 X 7/8" LG | 4 |
| 23 | 16469G1 | | FLAT WASHER, 1/4" | 4 |
| 24 | 14390G4 | | LOCK NUT, 1/4" - 20..... | 4 |
| 25 | 11027G2 | | LOCK NUT, 1/4" - 20..... | 2 |
| 26 | 600276 | | CONTROLLER COVER..... | 1 |
| 27 | 22280G1 | | TRIM | A/R |
| 28 | 840177 | | TERMINAL BOOT | 1 |
| 29 | | | | |
| 30 | 73296G01 | | HEX HEAD BOLT, M8 X 1.25 X 16MM LG | 3 |
| 31 | | | | |

ELECTRONIC SPEED CONTROL - 48V

THE USE OF NON U.L. PARTS WILL VOID ANY U.L. LISTING.

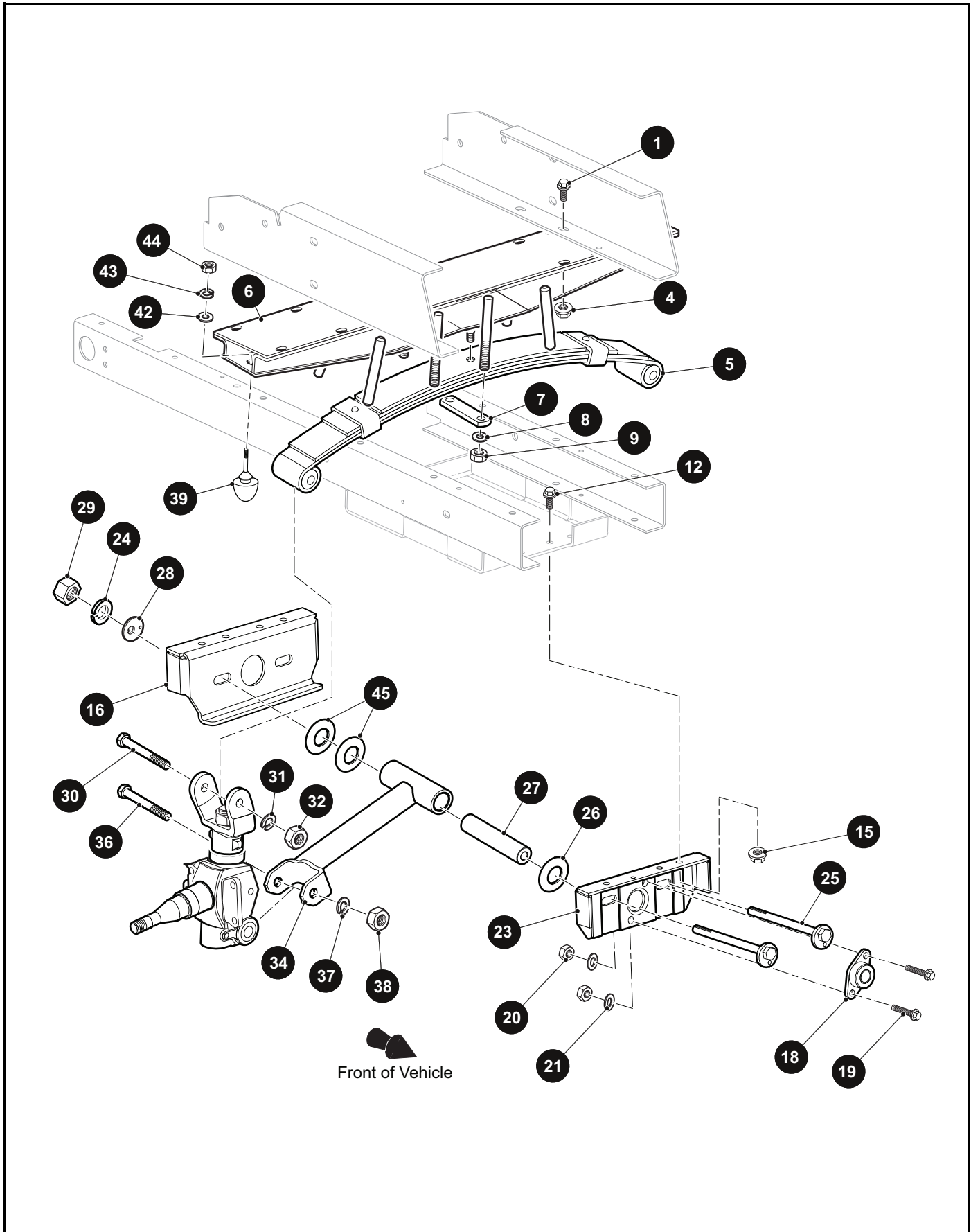
When ordering parts, please specify the model and serial number of the product.

* Indicates a component that is not available as an individual part.

*** Indicates consult Customer Service Department for additional information.

| ITEM | PART NO. | 1 2 3 4 5 | DESCRIPTION | QTY. |
|------|----------|-----------|---|------|
| 32 | 604110 | | RELAY | 1 |
| 33 | 16816G2 | | RIVET, 0.25" X 0.88" | 1 |
| 34 | 16816G5 | | RIVET, 0.18" X 0.55" | 1 |
| 35 | | | | |
| 36 | | | | |
| 37 | | | | |
| 38 | 615552 | | CONTROLLER SERVICE KIT (INCLUDES ITEMS 39 - 41) | 1 |
| 39 | 611172 | | ELECTRONIC SPEED CONTROLLER | 1 |
| 40 | 608931 | | WALKAWAY RELAY HARNESS ASSEMBLY | 1 |
| 41 | 17618G1 | | NYLON WIRE TIE (NOT ILLUSTRATED)..... | 2 |

FRONT SUSPENSION



FRONT SUSPENSION

THE USE OF NON U.L. PARTS WILL VOID ANY U.L. LISTING.

When ordering parts, please specify the model and serial number of the product.

* Indicates a component that is not available as an individual part.

*** Indicates consult Customer Service Department for additional information.

| ITEM | PART NO. | 1 2 3 4 5 | DESCRIPTION | QTY. |
|------|----------|-----------|---|------|
| 1 | 635450 | | HEX FLANGED HEAD BOLT, 3/8" - 16 X 1 1/4" LG | 4 |
| 2 | | | | |
| 3 | | | | |
| 4 | 635451 | | HEX FLANGED NUT, 3/8" - 16..... | 4 |
| 5 | 886234 | | LEAF SPRING AND BUSHING..... | 1 |
| 6 | 888203 | | SPRING MOUNT | 1 |
| 7 | 830012 | | SHACKLE PLATE | 2 |
| 8 | 306982 | | FLAT WASHER, 7/16" | 4 |
| 9 | 800294 | | LOCK NUT, 7/16" - 14 | 4 |
| 10 | | | | |
| 11 | | | | |
| 12 | 635450 | | HEX FLANGED HEAD BOLT, 3/8" - 16 X 1 1/4" LG | 6 |
| 13 | | | | |
| 14 | | | | |
| 15 | 635451 | | HEX FLANGED NUT, 3/8" - 16..... | 6 |
| 16 | 632551 | | LOWER ARM REAR BRACKET | 1 |
| 17 | | | | |
| 18 | 625696 | | FLANGE BEARING, 3/4" | 1 |
| 19 | 306835 | | HEX HEAD BOLT, 5/16" - 16 X 1 1/4" LG | 2 |
| 20 | 11098G5 | | LOCK NUT, 3/8" - 16 | 2 |
| 21 | 306981 | | FLAT WASHER, 3/8" | 2 |
| 22 | | | | |
| 23 | 627647 | | LOWER ARM FRONT BRACKET | 1 |
| 24 | 120166 | | LOCK WASHER, 1/2" | 2 |
| 25 | 888322 | | LOWER ARM BOLT, 1/2" - 13 | 2 |
| 26 | 833105 | | CONICAL WASHER, 1.125" | 2 |
| 27 | 832998 | | BUSHING, 1.117" O.D. X .502" I.D. X 5.405" LG | 2 |
| 28 | 830477 | | LOWER ARM WASHER, 1/2" | 2 |
| 29 | 308332 | | HEX NUT, 1/2" - 13..... | 2 |
| 30 | 00406G4 | | HEX HEAD BOLT, 1/2" - 13 X 4 1/2" LG | 2 |
| 31 | 120166 | | LOCK WASHER, 1/2" | 2 |

FRONT SUSPENSION

THE USE OF NON U.L. PARTS WILL VOID ANY U.L. LISTING.

When ordering parts, please specify the model and serial number of the product.

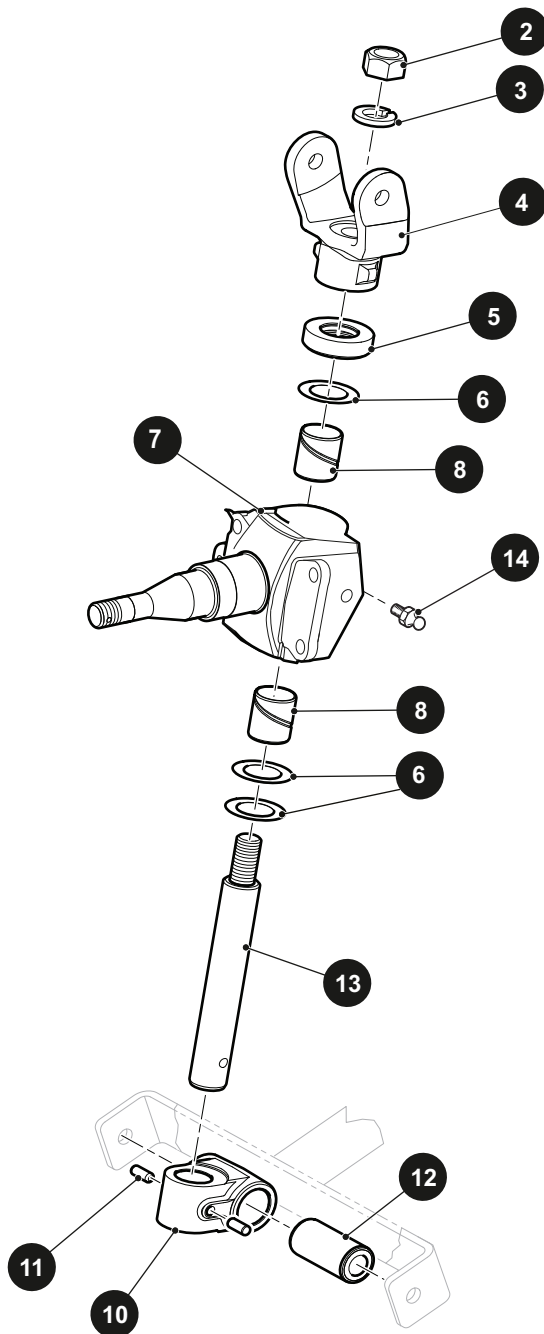
* Indicates a component that is not available as an individual part.

*** Indicates consult Customer Service Department for additional information.

| ITEM | PART NO. | 1 2 3 4 5 | DESCRIPTION | QTY. |
|------|----------|-----------|---|------|
| 32 | 308332 | | HEX NUT, 1/2" - 13 | 2 |
| 33 | | | | |
| 34 | 629686 | | LOWER ARM AND BUSHING ASSEMBLY | 2 |
| 35 | | | | |
| 36 | 00406G4 | | HEX HEAD BOLT, 1/2" - 13 X 4 1/2" LG | 2 |
| 37 | 120166 | | LOCK WASHER, 1/2" | 2 |
| 38 | 308332 | | HEX NUT, 1/2" - 13 | 2 |
| 39 | 70492G01 | | RUBBER BUMPER | 2 |
| 40 | | | | |
| 41 | | | | |
| 42 | 604066 | | FLAT WASHER, M10 | 2 |
| 43 | 608654 | | LOCK SPLIT WASHER, M10 | 2 |
| 44 | 00974G01 | | HEX NUT, M10 - 1.5 | 2 |
| 45 | 632538 | | SPACER, 1.7" O.D. X 1.2" I.D. X .075" | 4 |
| 46 | | | | |

FRONT SUSPENSION

- 1 KING PIN AND SPINDLE ASSEMBLY includes items 2 - 14
- 9 KING PIN ASSEMBLY includes items 10 - 13
- 7 SPINDLE ASSEMBLY includes item 8



FRONT SUSPENSION

THE USE OF NON U.L. PARTS WILL VOID ANY U.L. LISTING.

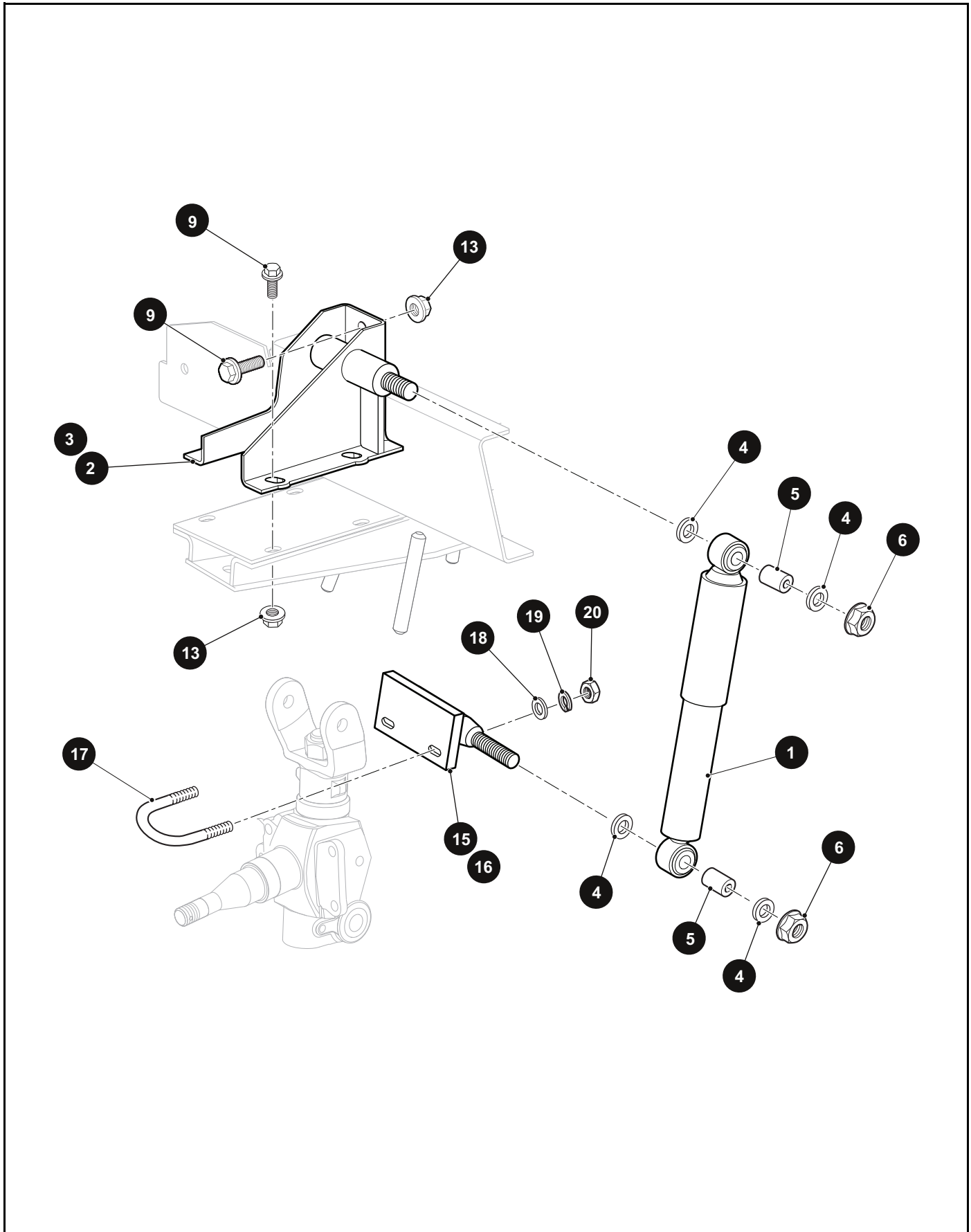
When ordering parts, please specify the model and serial number of the product.

* Indicates a component that is not available as an individual part.

*** Indicates consult Customer Service Department for additional information.

| ITEM | PART NO. | 1 2 3 4 5 | DESCRIPTION | QTY. |
|------|----------|-----------|--|------|
| 1 | 629652 | | KING PIN AND SPINDLE ASSEMBLY (INCLUDES ITEMS 2 - 14)..... | 2 |
| 2 | 311745 | | HEX NUT, 3/4" - 16 | 1 |
| 3 | 312272 | | LOCK WASHER, 3/4" | 1 |
| 4 | 630498 | | RETAINER SPRING AND KING PIN..... | 1 |
| 5 | 817891 | | BALL BEARING | 1 |
| 6 | 827648 | | SHIM, .010 THICK | 3 |
| 7 | 629651 | | SPINDLE ASSEMBLY (INCLUDES ITEM 8) | 1 |
| 8 | 630266 | | BUSHING, 30MM O.D. X 28.8MM I.D. X DIA 32MM | 2 |
| 9 | 629621 | | KING PIN ASSEMBLY (INCLUDES ITEMS 10 - 13) | 1 |
| 10 | * | | SUPPORT, KING PIN | 1 |
| 11 | * | | PIN | 2 |
| 12 | * | | BUSHING, 1.255" O.D. X .564" I.D. X 2.75" LG..... | 1 |
| 13 | * | | KING PIN | 1 |
| 14 | 2702168 | | GREASE FITTING, 1/4" - 28..... | 1 |

FRONT SUSPENSION



FRONT SUSPENSION

THE USE OF NON U.L. PARTS WILL VOID ANY U.L. LISTING.

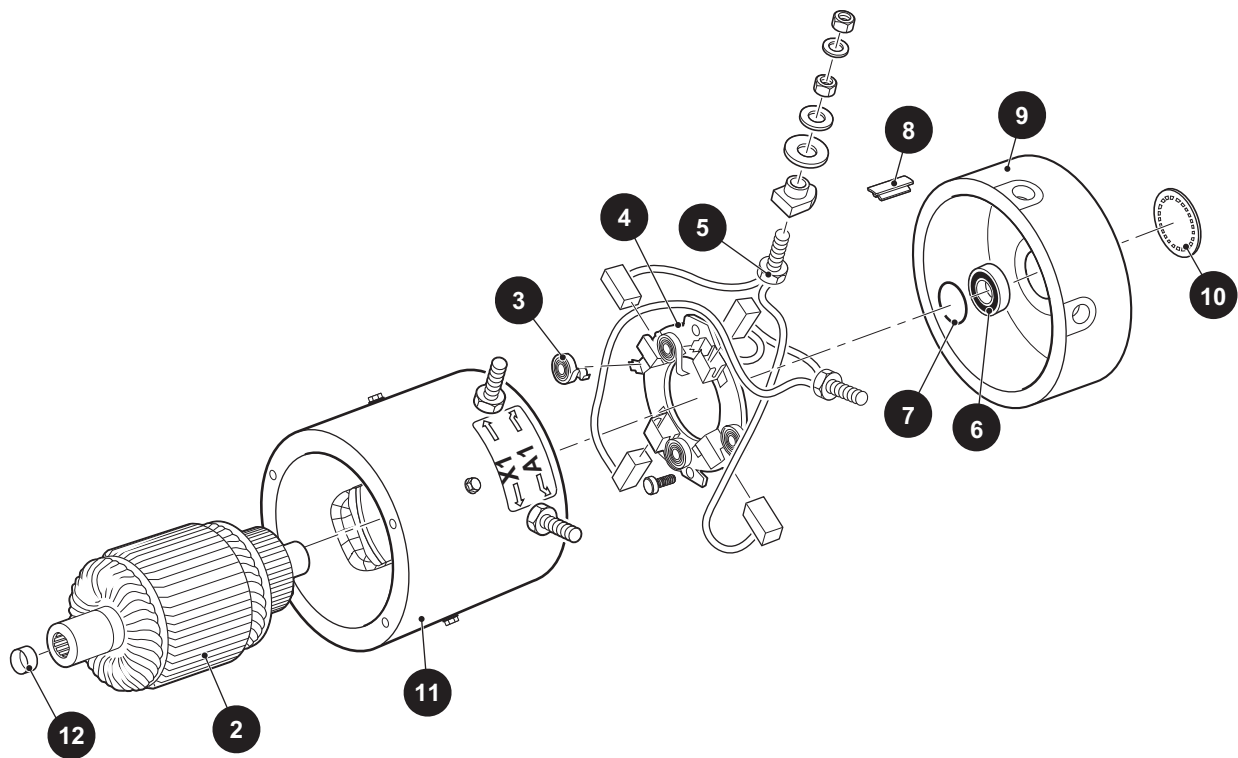
When ordering parts, please specify the model and serial number of the product.

* Indicates a component that is not available as an individual part.

*** Indicates consult Customer Service Department for additional information.

| ITEM | PART NO. | 1 2 3 4 5 | DESCRIPTION | QTY. |
|------|-----------|-----------|---|------|
| 1 | 807332 | | REAR SHOCK ABSORBER..... | 2 |
| 2 | 888200G01 | | SPRING PERCH BRACKET (PASSENGER SIDE) | 1 |
| 3 | 888201G01 | | SPRING PERCH BRACKET (DRIVER SIDE)..... | 1 |
| 4 | 825500 | | CUPPED WASHER, .45" | 8 |
| 5 | 823621 | | BUSHING, 19/32" O.D. X 15/32" I.D. X 1 3/16" LG | 4 |
| 6 | 800294 | | LOCK NUT, 7/16" - 14 | 4 |
| 7 | | | | |
| 8 | | | | |
| 9 | 635450 | | HEX FLANGED HEAD BOLT, 3/8" - 16 X 1 1/4" LG | 10 |
| 10 | | | | |
| 11 | | | | |
| 12 | | | | |
| 13 | 635451 | | HEX FLANGED NUT, 3/8" - 16..... | 10 |
| 14 | | | | |
| 15 | 886458G01 | | SHOCK MOUNT STUD (PASSENGER SIDE)..... | 1 |
| 16 | 886459G01 | | SHOCK MOUNT STUD (DRIVER SIDE) | 1 |
| 17 | 829756 | | U - BOLT, 3/8" - 16 | 2 |
| 18 | 306981 | | FLAT WASHER, 3/8" | 4 |
| 19 | 120177 | | LOCK WASHER, 3/8" | 4 |
| 20 | 306562 | | HEX NUT, 3/8" - 16..... | 4 |

1 FLEET SPEED DC MOTOR, 36V (FOR HD AND LD) includes items 2 - 11



THE USE OF NON U.L. PARTS WILL VOID ANY U.L. LISTING.

When ordering parts, please specify the model and serial number of the product.

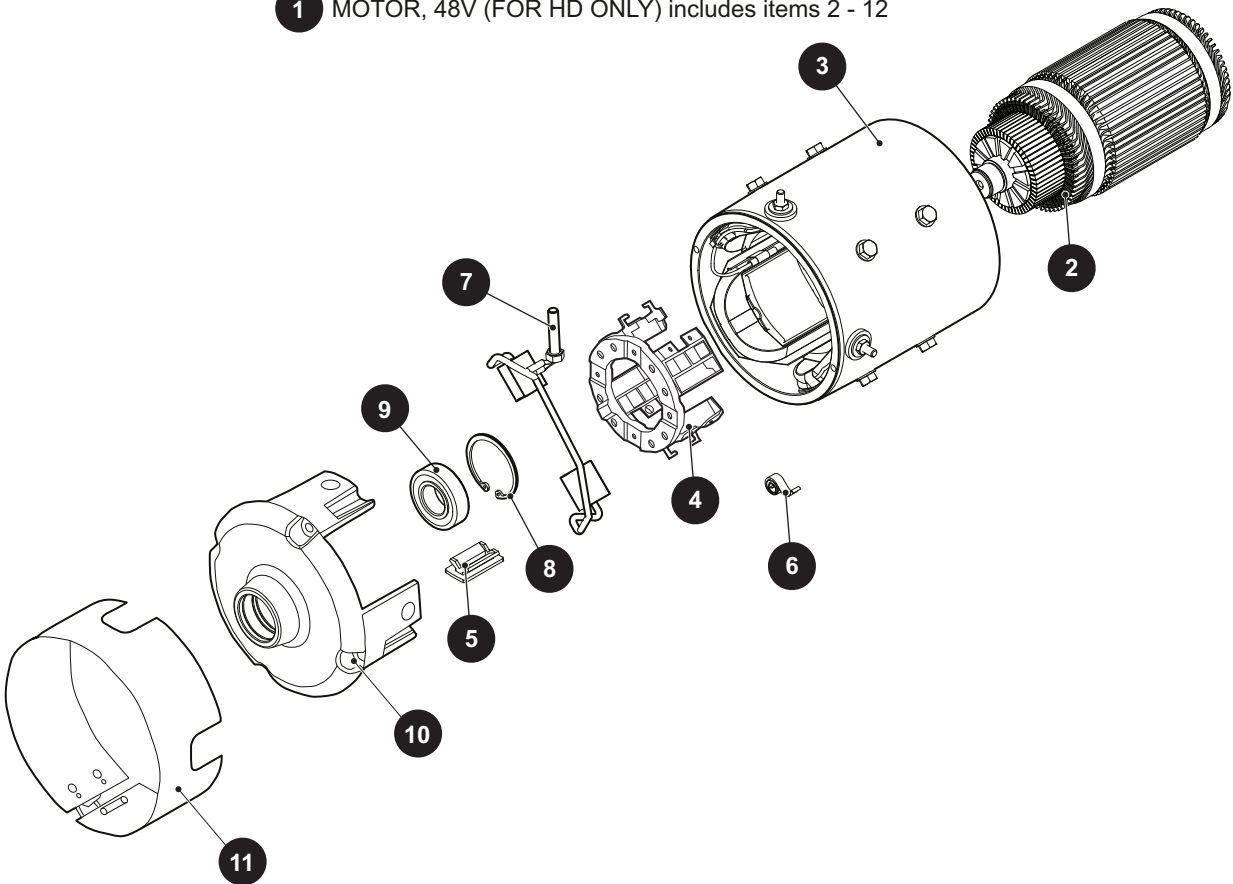
* Indicates a component that is not available as an individual part.

*** Indicates consult Customer Service Department for additional information.

| ITEM | PART NO. | 1 2 3 4 5 | DESCRIPTION | QTY. |
|------|----------|-----------|--|------|
| 1 | 73445G01 | | FLEET SPEED DC MOTOR, 36V (FOR HD AND LD) (INCLUDES ITEMS 2-11) | 1 |
| 2 | 73120G01 | | ARMATURE | 1 |
| 3 | 73120G03 | | BRUSH SPRING..... | 4 |
| 4 | 625884 | | BRUSH BOX ASSEMBLY | 1 |
| 5 | 73120G25 | | BRUSH REPLACEMENT KIT | 1 |
| 6 | 73120G07 | | BEARING..... | 1 |
| 7 | 73120G06 | | SNAP RING | 1 |
| 8 | 625885 | | COVER | 1 |
| 9 | 73120G08 | | COMMUTATOR END HOUSING | 1 |
| 10 | 73120G16 | | CAP..... | 1 |
| 11 | 73120G31 | | FRAME AND FIELD COIL (G02 MOTOR) | 1 |
| 12 | 24261G1 | | SPLINE BUMPER | 1 |

MOTOR

1 MOTOR, 48V (FOR HD ONLY) includes items 2 - 12



THE USE OF NON U.L. PARTS WILL VOID ANY U.L. LISTING.

When ordering parts, please specify the model and serial number of the product.

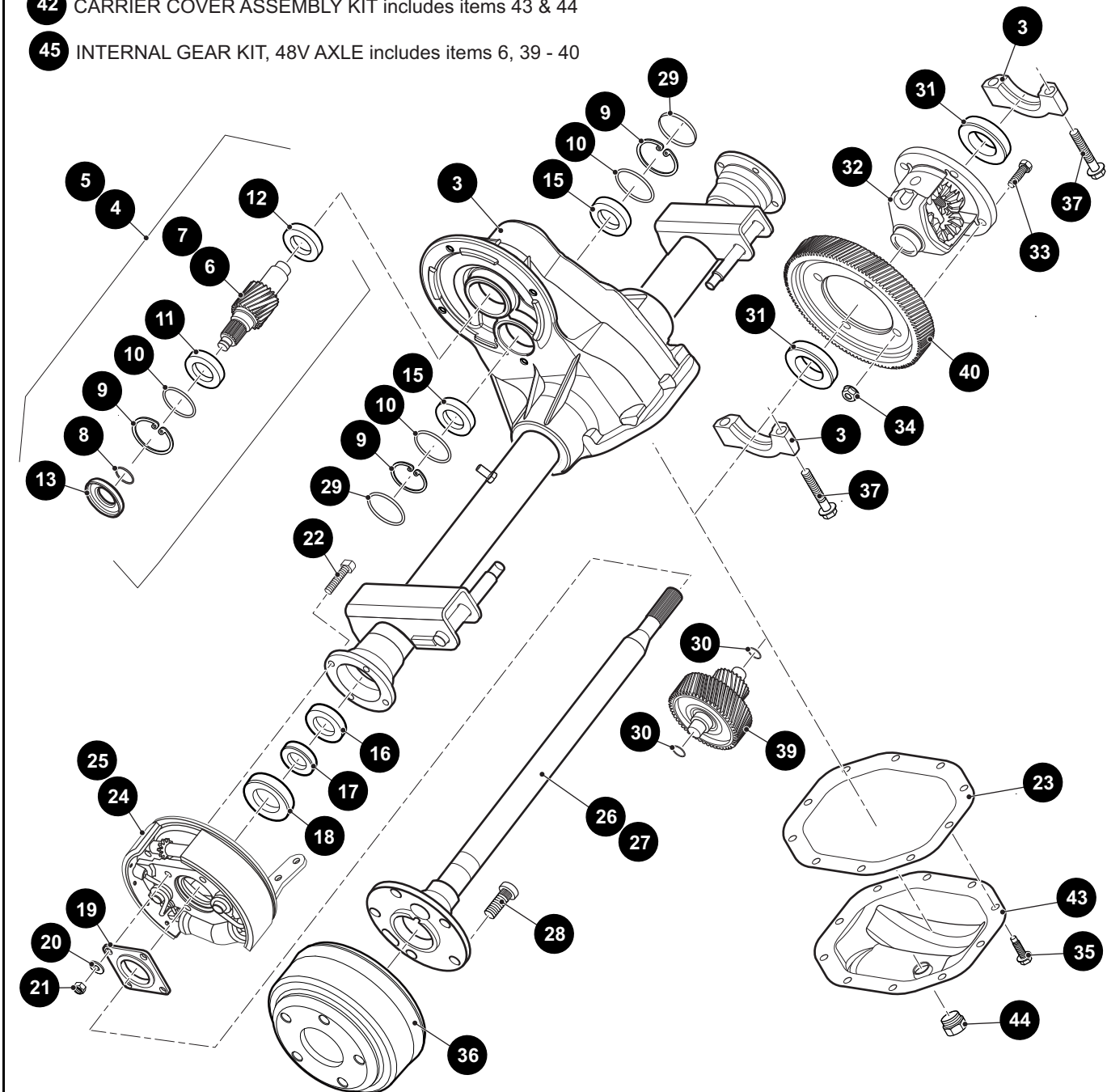
* Indicates a component that is not available as an individual part.

*** Indicates consult Customer Service Department for additional information.

| ITEM | PART NO. | 1 2 3 4 5 | DESCRIPTION | QTY. |
|------|----------|-----------|--|------|
| 1 | 628660 | | MOTOR, 48V (FOR HD ONLY) (INCLUDES ITEMS 2 - 12) | 1 |
| 2 | 73120G36 | | ARMATURE ASSEMBLY | 1 |
| 3 | 73120G37 | | FRAME & FIELD ASSEMBLY | 1 |
| 4 | 73120G40 | | BRUSH BOX ASSEMBLY | 1 |
| 5 | 73120G39 | | BRUSH | 8 |
| 6 | 73120G38 | | BRUSH SPRING | 8 |
| 7 | 73120G41 | | BRUSH LEAD & TERMINAL SERVICE KIT | 1 |
| 8 | 73120G06 | | RETAINING RING | 1 |
| 9 | 73120G07 | | BEARING | 1 |
| 10 | 629409 | | COMMUTATOR END HEAD | 1 |
| 11 | 73120G43 | | HEADBAND ASSEMBLY | 1 |
| 12 | 624109 | | O-RING, 1 - 1/2" (NOT ILLUSTRATED) | 1 |
| 13 | | | | |
| 14 | 624110 | | PLUG (NOT ILLUSTRATED) | 3 |

REAR AXLE

- 1** AXLE ASSEMBLY 36V AXLE includes items 3, 5, 16 - 38, 41 & 42
- 2** AXLE ASSEMBLY 48V AXLE includes items 3, 4, 16 - 37, 41, 42 & 45
- 4** INPUT GEAR KIT, 48V AXLE includes items 6, 8 - 13
- 5** INPUT GEAR KIT, 36V AXLE includes items 7, 9 - 13
- 38** INTERNAL GEARS KIT, 36V AXLE includes items 7, 39 - 40
- 41** BALL BEARING KIT includes items 11, 12, 15 & 31
- 42** CARRIER COVER ASSEMBLY KIT includes items 43 & 44
- 45** INTERNAL GEAR KIT, 48V AXLE includes items 6, 39 - 40



THE USE OF NON U.L. PARTS WILL VOID ANY U.L. LISTING.

When ordering parts, please specify the model and serial number of the product.

* Indicates a component that is not available as an individual part.

*** Indicates consult Customer Service Department for additional information.

| ITEM | PART NO. | 1 2 3 4 5 | DESCRIPTION | QTY. |
|------|----------|-----------|--|------|
| 1 | 644400 | | AXLE ASSEMBLY 36V (INCLUDES ITEMS 3, 5, 16 - 38, 41 & 42)..... | 1 |
| 2 | 649867 | | AXLE ASSEMBLY 48V (INCLUDES ITEMS 3, 4, 16 - 37, 41, 42 & 45)..... | 1 |
| 3 | 601061 | | AXLE HOUSING | 1 |
| 4 | 601068 | | INPUT GEAR KIT, 48V AXLE (INCLUDES ITEMS 6, 8 - 13)..... | 1 |
| 5 | 601069 | | INPUT GEAR KIT, 36V AXLE (INCLUDES ITEMS 7, 9 - 13)..... | 1 |
| 6 | 601062 | | INPUT GEAR, 48V AXLE | 1 |
| 7 | 601087 | | INPUT GEAR, 36V AXLE | 1 |
| 8 | 615458 | | "O" RING | 1 |
| 9 | 23530G1 | | RETAINING RING | 3 |
| 10 | 24628G1 | | "O" RING | 3 |
| 11 | 23519G1 | | BALL BEARING | 1 |
| 12 | 23520G1 | | BALL BEARING | 1 |
| 13 | 612821 | | OIL SEAL | 1 |
| 14 | | | | |
| 15 | 601065 | | BALL BEARING | 2 |
| 16 | 601066 | | OIL SEAL | 2 |
| 17 | 601067 | | RETAINING RING..... | 2 |
| 18 | 601070 | | TAPERED ROLLER BEARING..... | 2 |
| 19 | 601071 | | OIL SEAL | 2 |
| 20 | 601072 | | FLAT WASHER..... | 8 |
| 21 | 601073 | | LOCK NUT..... | 8 |
| 22 | 601074 | | SOCKET HEAD SCREW..... | 8 |
| 23 | 612824 | | GASKET | 1 |
| 24 | XXXXXX | | BRAKE ASSEMBLY DRIVER SIDE (SEE BRAKES SECTION)..... | 1 |
| 25 | XXXXXX | | BRAKE ASSEMBLY PASSENGER SIDE (SEE BRAKES SECTION) | 1 |
| 26 | 601077 | | AXLE SHAFT (DRIVER SIDE)..... | 1 |
| 27 | 601078 | | AXLE SHAFT (PASSENGER SIDE) | 1 |
| 28 | 601079 | | WHEEL BOLT | 10 |
| 29 | 601064 | | END CAP PLUG | 2 |
| 30 | 601081 | | "O" RING..... | 2 |
| 31 | 17473G1 | | DIFFERENTIAL BEARING ASSEMBLY..... | 2 |

REAR AXLE

THE USE OF NON U.L. PARTS WILL VOID ANY U.L. LISTING.

When ordering parts, please specify the model and serial number of the product.

* Indicates a component that is not available as an individual part.

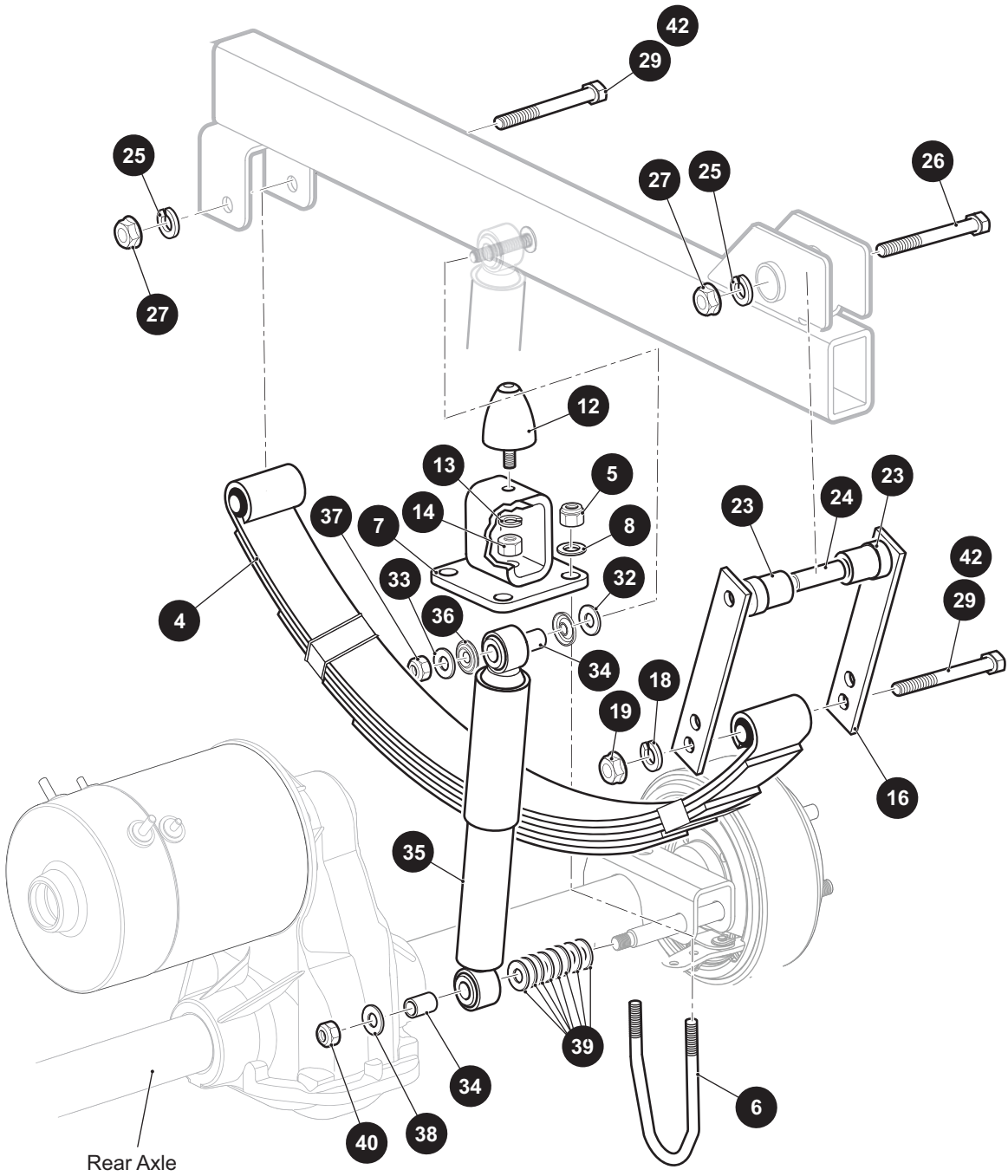
*** Indicates consult Customer Service Department for additional information.

| ITEM | PART NO. | 1 | 2 | 3 | 4 | 5 | DESCRIPTION | QTY. |
|------|----------|---|---|---|---|---|---|------|
| 32 | 601082 | | | | | | DIFFERENTIAL..... | 1 |
| 33 | 601083 | | | | | | HEX HEAD BOLT, 3/8" - 24 X 1.25" LG | 4 |
| 34 | 601084 | | | | | | LOCK NUT, 3/8" - 24 | 4 |
| 35 | 15558G1 | | | | | | HEX HEAD BOLT, 5/16" - 18 X 3/4" LG | 10 |
| 36 | 17953G2 | | | | | | BRAKE DRUM | 2 |
| 37 | 15118G1 | | | | | | BEARING CAP SCREW, 3/8" - 16 | 4 |
| 38 | 612827 | | | | | | INTERNAL GEARS KIT, 36V AXLE (INCLUDES ITEMS 7, 39 - 40)..... | 1 |
| 39 | 612825 | | | | | | INTERMEDIATE GEAR ASSEMBLY | 1 |
| 40 | 612826 | | | | | | DRIVE GEAR | 1 |
| 41 | 612829 | | | | | | BALL BEARING KIT (INCLUDES ITEMS 11, 12, 15 & 31) | 1 |
| 42 | 612828 | | | | | | CARRIER COVER ASSEMBLY (INCLUDES ITEMS 43 & 44)..... | 1 |
| 43 | 612823 | | | | | | COVER PLATE..... | 1 |
| 44 | 601085 | | | | | | HEX HEAD PLUG | 1 |
| 45 | 612847 | | | | | | INTERNAL GEAR KIT, 48V AXLE (INCLUDES ITEMS 6, 39 - 40) | 1 |

REAR SUSPENSION

1 REAR SUSPENSION includes items 4 - 40

2 REAR SUSPENSION WITHOUT SHOCK ABSORBER (FOR LD ONLY) includes items 4 - 27, 42



REAR SUSPENSION

THE USE OF NON U.L. PARTS WILL VOID ANY U.L. LISTING.

When ordering parts, please specify the model and serial number of the product.

* Indicates a component that is not available as an individual part.

*** Indicates consult Customer Service Department for additional information.

| ITEM | PART NO. | 1 2 3 4 5 | DESCRIPTION | QTY. |
|------|----------|-----------|--|------|
| 1 | 634952 | | REAR SUSPENSION (INCLUDES ITEMS 4 - 40) | 1 |
| 2 | 632219 | | REAR SUSPENSION WITHOUT SHOCK ABSORBER (FOR LD ONLY) (INCLUDES ITEMS 4 - 27, 42)..... | 1 |
| 3 | | | | |
| 4 | 887004 | | LEAF SPRING ASSEMBLY | 2 |
| 5 | 548061 | | LOCK NUT, 7/16" - 20..... | 8 |
| 6 | 829044 | | U - BOLT, 7/16" - 20 X 5 1/2" LG | 4 |
| 7 | 600182 | | STOP PLATE | 2 |
| 8 | 306982 | | FLAT WASHER, 7/16" | 8 |
| 9 | | | | |
| 10 | | | | |
| 11 | | | | |
| 12 | 70492G01 | | RUBBER BUMPER..... | 2 |
| 13 | 608654 | | LOCK WASHER, M10 | 2 |
| 14 | 00974G01 | | HEX NUT, M10 X 1.5 | 2 |
| 15 | | | | |
| 16 | 633426 | | SHACKLE PLATE | 4 |
| 17 | | | | |
| 18 | 120166 | | LOCK WASHER, 1/2" | 2 |
| 19 | 308332 | | HEX NUT, 1/2" - 13 | 2 |
| 20 | | | | |
| 21 | | | | |
| 22 | | | | |
| 23 | 829142 | | FLANGED BUSHING..... | 4 |
| 24 | 829258 | | BUSHING..... | 2 |
| 25 | 120166 | | LOCK WASHER, 1/2" | 4 |
| 26 | 00406G4 | | HEX HEAD BOLT, 1/2" - 13 X 4 1/2" LG | 2 |
| 27 | 308332 | | HEX NUT, 1/2" - 13 | 4 |
| 28 | | | | |
| 29 | 00406G4 | | HEX HEAD BOLT, 1/2" - 13 X 4 1/2" LG | 4 |
| 30 | | | | |

REAR SUSPENSION

THE USE OF NON U.L. PARTS WILL VOID ANY U.L. LISTING.

When ordering parts, please specify the model and serial number of the product.

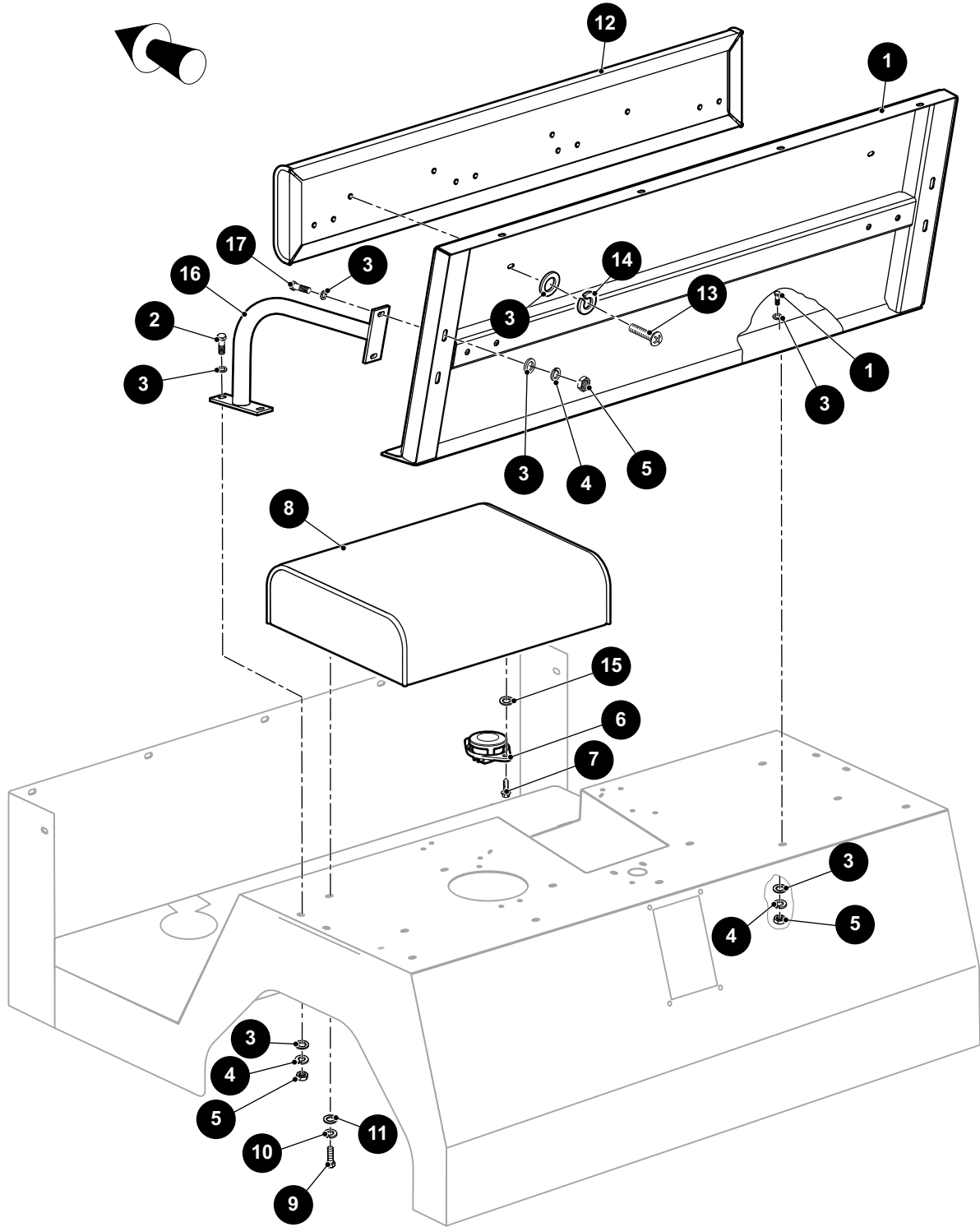
* Indicates a component that is not available as an individual part.

*** Indicates consult Customer Service Department for additional information.

| ITEM | PART NO. | 1 | 2 | 3 | 4 | 5 | DESCRIPTION | QTY. |
|------|----------|---|---|---|---|---|--|------|
| 31 | | | | | | | | |
| 32 | 00560G5 | | | | | | FLAT WASHER, 3/8" | 2 |
| 33 | 00560G5 | | | | | | FLAT WASHER, 3/8" | 10 |
| 34 | 823621 | | | | | | BUSHING, 1 3/16" | 4 |
| 35 | 807335 | | | | | | SHOCK ABSORBER..... | 2 |
| 36 | 825500 | | | | | | CUPPED WASHER, 0.453" | 4 |
| 37 | 800294 | | | | | | LOCK NUT, 7/16" - 14 | 2 |
| 38 | 00643G3 | | | | | | FLAT WASHER, 1/2" | 2 |
| 39 | 00560G5 | | | | | | FLAT WASHER, 3/8" | 16 |
| 40 | 800294 | | | | | | LOCK NUT, 5/8" | 2 |
| 41 | | | | | | | | |
| 42 | 00405G8 | | | | | | HEX HEAD BOLT, 1/2" - 13 X 4" LG | 4 |

SEATING

Front of Vehicle



THE USE OF NON U.L. PARTS WILL VOID ANY U.L. LISTING.

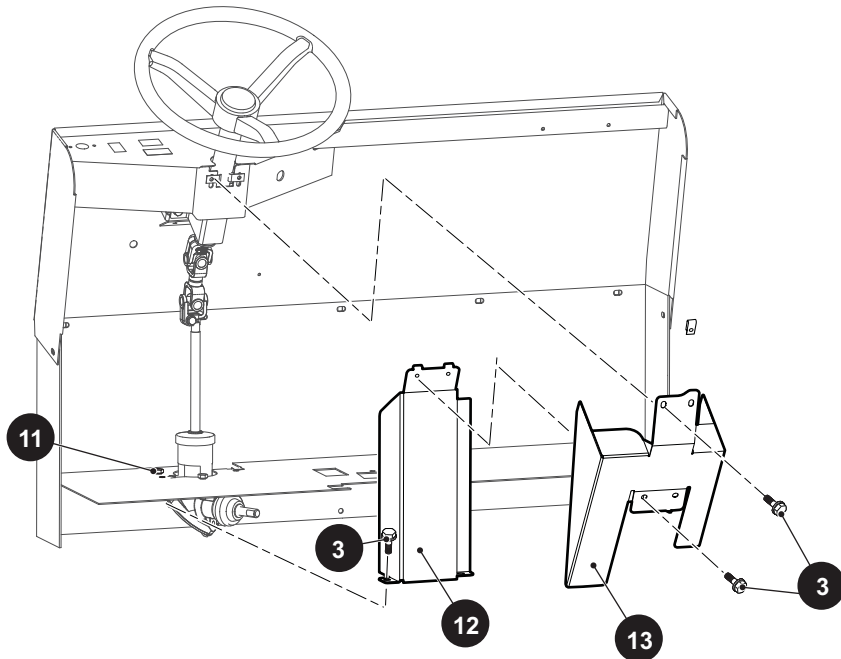
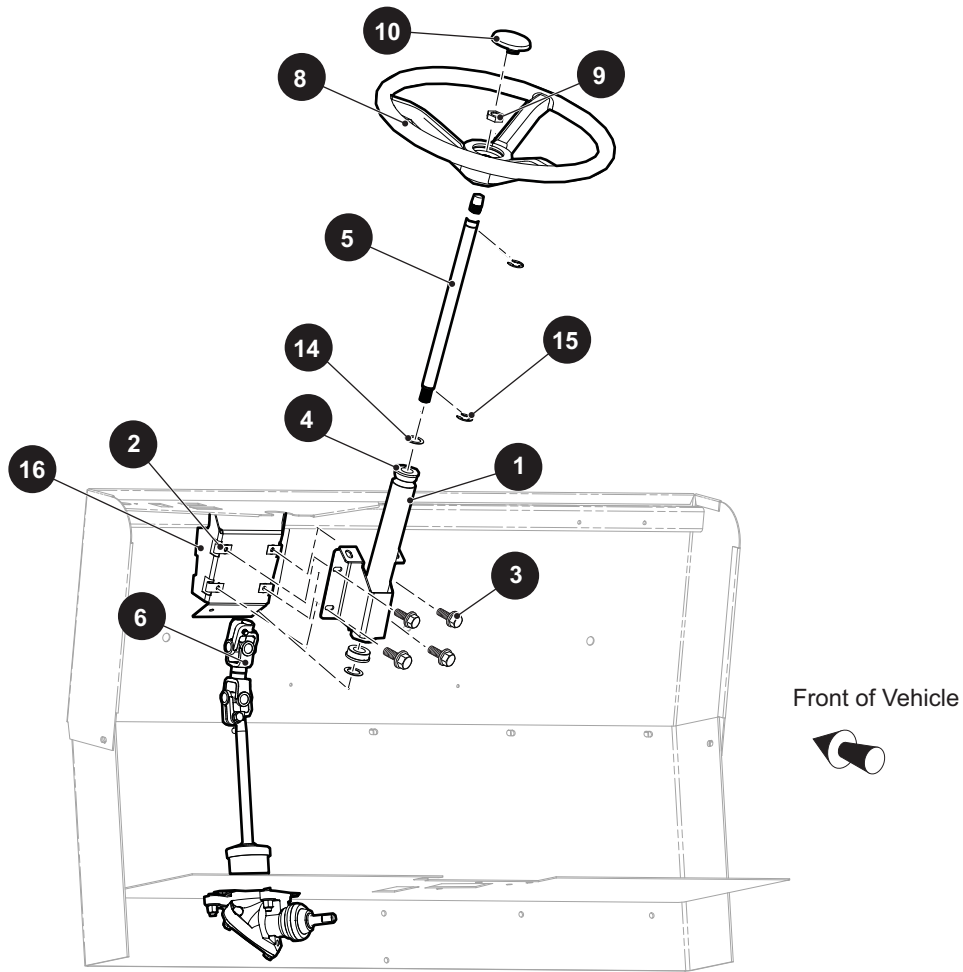
When ordering parts, please specify the model and serial number of the product.

* Indicates a component that is not available as an individual part.

*** Indicates consult Customer Service Department for additional information.

| ITEM | PART NO. | 1 2 3 4 5 | DESCRIPTION | QTY. |
|------|----------|-----------|--|------|
| 1 | *** | | BACKREST PANEL 633786G20 BLACK | 1 |
| 2 | 302288 | | HEX HEAD BOLT, 1/4" - 20 X 1" LG | 9 |
| 3 | 308090 | | FLAT WASHER, 1/4" | 28 |
| 4 | 306396 | | LOCK WASHER, 1/4" | 13 |
| 5 | 306375 | | JAM NUT, 1/4" - 20..... | 13 |
| 6 | 15813501 | | SEAT SWITCH | 1 |
| 7 | 00114G6 | | FLANGED HEAD SLOTTED SCREW, 1/4" - 14 X 3/4" LG..... | 2 |
| 8 | 886221 | | SEAT BOTTOM..... | 2 |
| 9 | 302288 | | HEX HEAD BOLT, 1/4" - 20 X 1" LG | 6 |
| 10 | 306396 | | LOCK WASHER, 1/4" | 6 |
| 11 | 308090 | | FLAT WASHER, 1/4" | 6 |
| 12 | 888464 | | BACKREST | 1 |
| 13 | 800026 | | PAN HEAD PHILLIPS SCREW, 1/4" - 20 X 3/4" LG | 2 |
| 14 | 306396 | | LOCK WASHER, 1/4" | 2 |
| 15 | 01110G01 | | FLAT WASHER, 1/4" | 2 |
| 16 | *** | | HIP RESTRAINT 620462 BLACK | 2 |
| 17 | 306832 | | HEX HEAD BOLT, 1/4" - 20 X 2" LG | 4 |

STEERING



THE USE OF NON U.L. PARTS WILL VOID ANY U.L. LISTING.

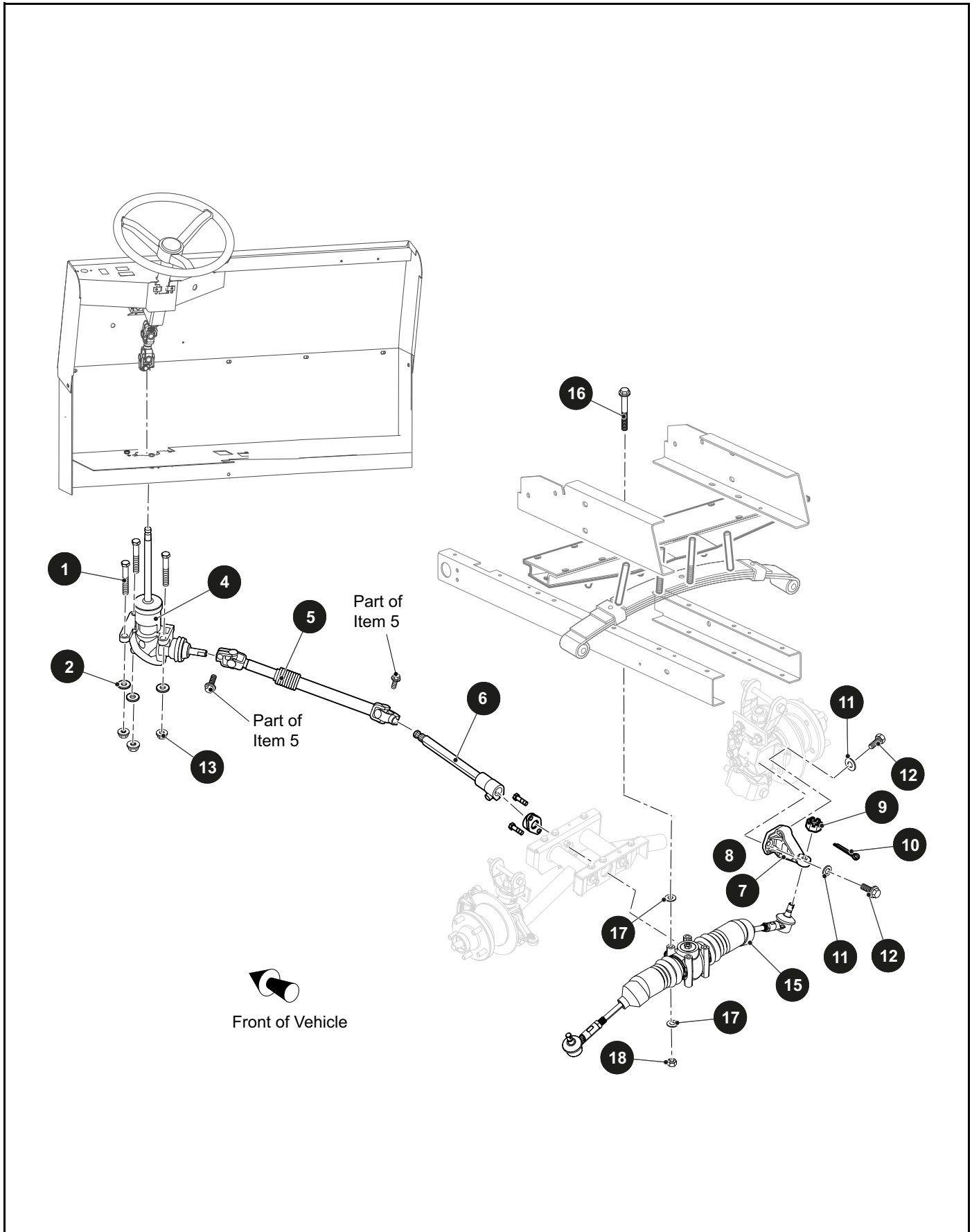
When ordering parts, please specify the model and serial number of the product.

* Indicates a component that is not available as an individual part.

*** Indicates consult Customer Service Department for additional information.

| ITEM | PART NO. | 1 2 3 4 5 | DESCRIPTION | QTY. |
|------|----------|-----------|---|------|
| 1 | 666373 | | STEERING COLUMN TUBE | 1 |
| 2 | 800279 | | U - TYPE NUT, 1/4" - 20..... | 8 |
| 3 | 13437G9 | | HEX HEAD BOLT, 5/16" - 18 X 1" LG | 10 |
| 4 | 647153 | | STEERING COLUMN BUSHING | 2 |
| 5 | 628498 | | STEERING WHEEL SHAFT..... | 1 |
| 6 | 627780 | | DOUBLE U - JOINT | 1 |
| 7 | 12719G1 | | ANTI - SEIZE COMPOUND (NOT ILLUSTRATED) | AR |
| 8 | 628523 | | STEERING WHEEL, 15" | 1 |
| 9 | 628928 | | HEX NUT, M16 X 2..... | 1 |
| 10 | 628565 | | STEERING WHEEL HUB COVER | 1 |
| 11 | 01042G01 | | J - TYPE NUT, 1/4" - 20..... | 2 |
| 12 | 623717 | | STEERING COLUMN COVER..... | 1 |
| 13 | 632913 | | DASH COVER..... | 1 |
| 14 | 15485G1 | | FLAT WASHER, 1.61" | 2 |
| 15 | 628510 | | E - CLIP, .625" | 2 |
| 16 | 624118 | | STEERING COLUMN MOUNTING BRACKET | 1 |

STEERING



THE USE OF NON U.L. PARTS WILL VOID ANY U.L. LISTING.

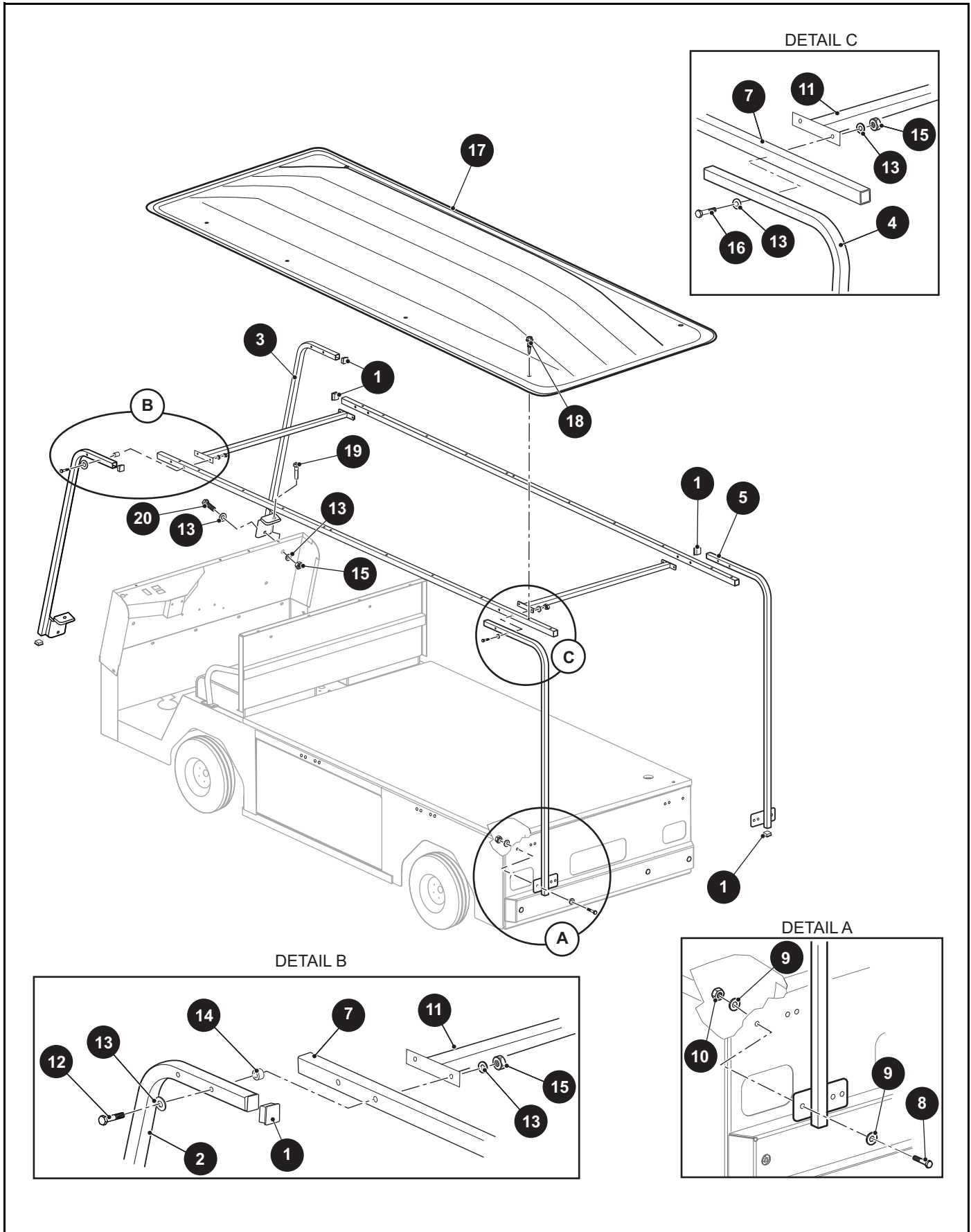
When ordering parts, please specify the model and serial number of the product.

* Indicates a component that is not available as an individual part.

*** Indicates consult Customer Service Department for additional information.

| ITEM | PART NO. | 1 2 3 4 5 | DESCRIPTION | QTY. |
|------|----------|-----------|--|------|
| 1 | 00427G4 | | HEX HEAD BOLT, 3/8" - 16 X 1.50" LG..... | 3 |
| 2 | 00560G1 | | FLAT WASHER, 3/8"..... | 3 |
| 3 | | | | |
| 4 | 623381 | | STEERING GEAR BOX..... | 1 |
| 5 | 624497 | | INTERMEDIATE SHAFT ASSEMBLY..... | 1 |
| 6 | 632500 | | PINION EXTENDER..... | 1 |
| 7 | 629557 | | STEERING ARM, DRIVER SIDE..... | 1 |
| 8 | 629595 | | STEERING ARM, PASSENGER SIDE..... | 1 |
| 9 | 608005 | | CASTLE NUT, M12 - 1.25..... | 2 |
| 10 | 10387G2 | | COTTER PIN..... | 2 |
| 11 | 120177 | | LOCK WASHER, 3/8"..... | 6 |
| 12 | 306414 | | HEX HEAD FLANGE BOLT, 3/8" - 16 X 1" LG..... | 6 |
| 13 | 11098G5 | | LOCK NUT, 3/8" - 16..... | 3 |
| 14 | | | | |
| 15 | 625659 | | STEERING RACK AND PINION ASSEMBLY..... | 1 |
| 16 | 630064 | | HEX HEAD BOLT, 5/16" - 18 X 3 3/4" LG..... | 4 |
| 17 | 00642G8 | | FLAT WASHER, 5/16"..... | 8 |
| 18 | 800290 | | HEX NUT, 5/16" - 18..... | 4 |

WEATHER PROTECTION



WEATHER PROTECTION

THE USE OF NON U.L. PARTS WILL VOID ANY U.L. LISTING.

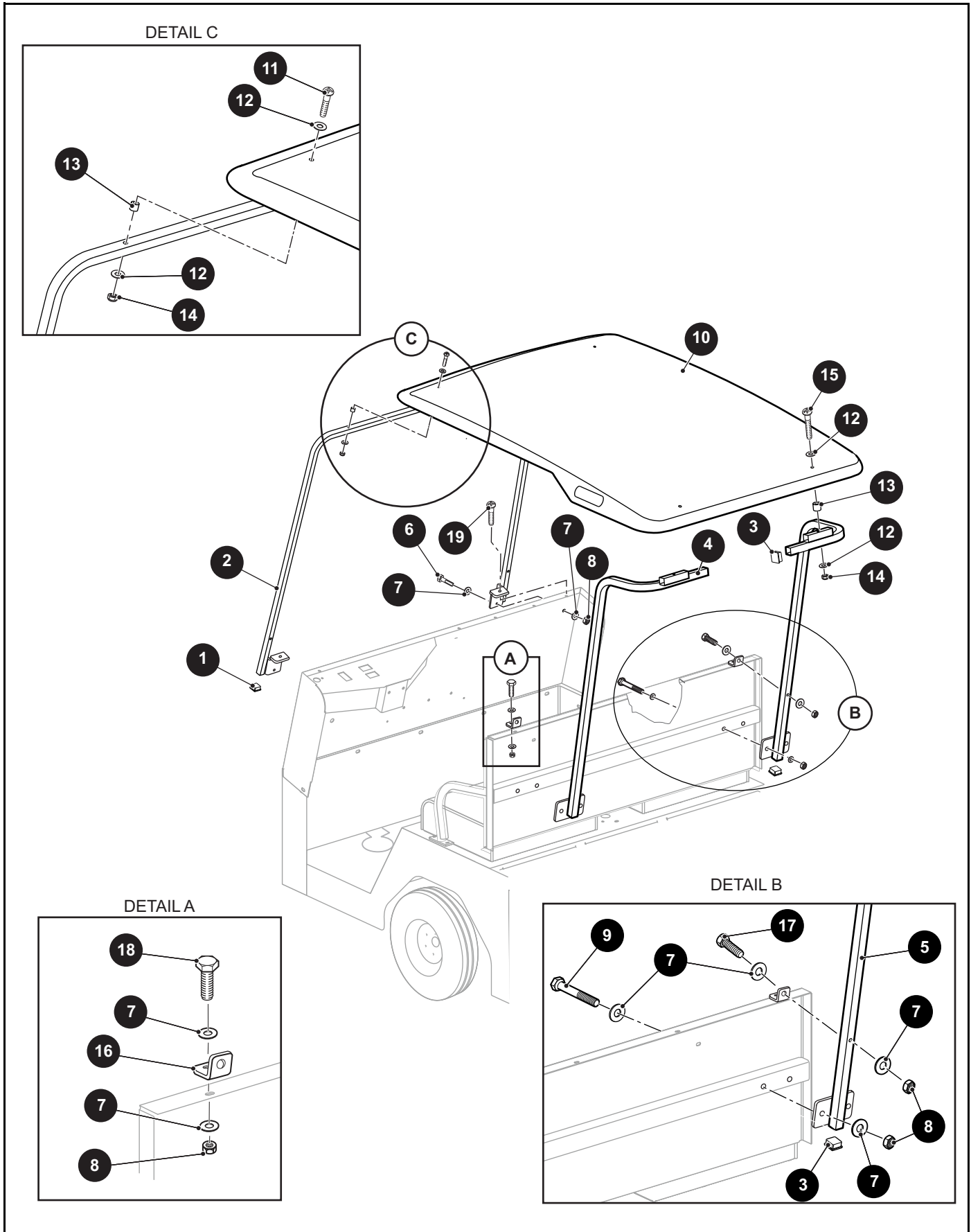
When ordering parts, please specify the model and serial number of the product.

* Indicates a component that is not available as an individual part.

*** Indicates consult Customer Service Department for additional information.

| ITEM | PART NO. | 1 2 3 4 5 | DESCRIPTION | QTY. |
|------|----------|-----------|---|------|
| 1 | 19853G1 | | END CAP, 1"..... | 12 |
| 2 | 631174 | | FRONT STRUT (DRIVER SIDE)..... | 1 |
| 3 | 631173 | | FRONT STRUT (PASSENGER SIDE) | 1 |
| 4 | 602377 | | REAR STRUT (DRIVER SIDE) | 1 |
| 5 | 602378 | | REAR STRUT (PASSENGER SIDE)..... | 1 |
| 6 | | | | |
| 7 | 602321 | | TOP RAIL | 2 |
| 8 | 00426G8 | | HEX HEAD BOLT, 3/8" - 16 X 1" LG | 6 |
| 9 | 00571G2 | | FLAT WASHER, 5/16" | 12 |
| 10 | 11098G5 | | LOCK NUT, 3/8" - 16 | 6 |
| 11 | 602363 | | STIFFENER BAR | 2 |
| 12 | 00441G8 | | HEX HEAD BOLT, 5/16" - 18 X 4" LG | 4 |
| 13 | 00559G8 | | FLAT WASHER, 5/16" | 20 |
| 14 | 75048G04 | | SPACER, 3/4" O.D X 1" LG..... | 4 |
| 15 | 11098G6 | | LOCK NUT, 5/16" - 18 | 10 |
| 16 | 306823 | | HEX HEAD BOLT, 5/16" - 18 X 2 3/4" LG | 4 |
| 17 | 75530G01 | | SUN TOP, 120" LG | 1 |
| 18 | 602662 | | HEX HEAD TAPPING SCREW, #12 - 14 X 3/4" LG..... | 8 |
| 19 | 16705G1 | | TRUSS HEAD PHILLIPS SCREW (SS), 1/4" - 20 X 1" LG | 2 |
| 20 | 00438G8 | | HEX HEAD BOLT, 5/16" - 18 X 1" LG | 2 |
| 21 | 602455 | | LONG CANOPY WINDSHIELD (NOT ILLUSTRATED) | 1 |
| 22 | 602456 | | WINDSHIELD RUBBER EXTRUSION (NOT ILLUSTRATED)..... | 2 |

WEATHER PROTECTION



WEATHER PROTECTION

THE USE OF NON U.L. PARTS WILL VOID ANY U.L. LISTING.

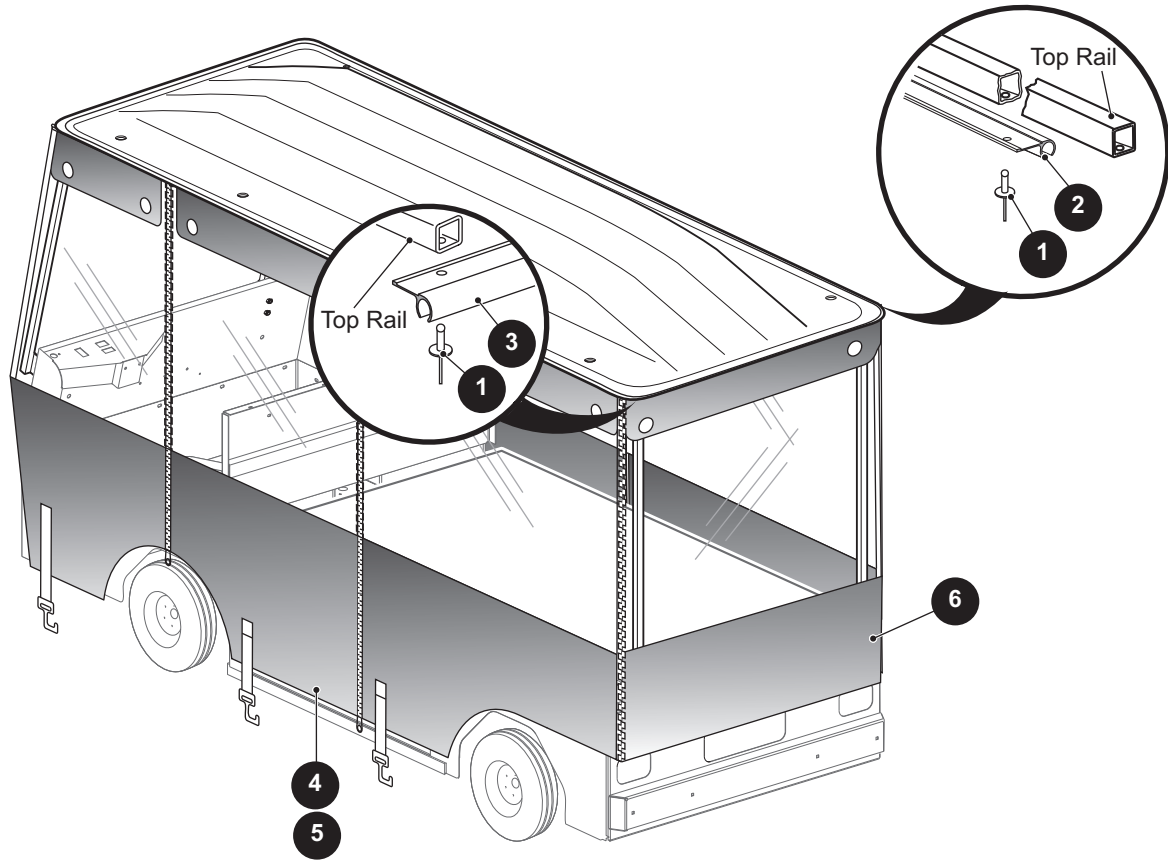
When ordering parts, please specify the model and serial number of the product.

* Indicates a component that is not available as an individual part.

*** Indicates consult Customer Service Department for additional information.

| ITEM | PART NO. | 1 2 3 4 5 | DESCRIPTION | QTY. |
|------|----------|-----------|---|------|
| 1 | 19859G1 | | END CAP, 3/4"..... | 2 |
| 2 | 631171 | | FRONT STRUT | 1 |
| 3 | 19853G1 | | END CAP, 1"..... | 4 |
| 4 | 602284 | | REAR STRUT (DRIVER SIDE) | 1 |
| 5 | 602285 | | REAR STRUT (PASSENGER SIDE)..... | 1 |
| 6 | 00438G8 | | HEX HEAD BOLT, 5/16" - 18 X 1" LG | 2 |
| 7 | 00559G8 | | FLAT WASHER, 5/16" | 20 |
| 8 | 11098G6 | | LOCK NUT, 5/16" - 18 | 10 |
| 9 | 00440G2 | | HEX HEAD BOLT, 5/16" - 18 X 2 1/2" LG | 4 |
| 10 | 27069G01 | | SUN TOP, 58" LG | 1 |
| 11 | 00753G5 | | TRUSS HEAD PHILLIPS SCREW (SS), 1/4" - 20 X 2" LG | 2 |
| 12 | 01110G01 | | FLAT WASHER, 1/4" | 8 |
| 13 | 75051G01 | | SPACER, 1/2" LG | 4 |
| 14 | 14390G4 | | LOCK NUT, 1/4" - 20 | 4 |
| 15 | 00774G3 | | TRUSS HEAD PHILLIPS SCREW (SS), 1/4" - 20 X 3 1/4" LG | 2 |
| 16 | 602675 | | ANGLE BRACKET | 2 |
| 17 | 00439G6 | | HEX HEAD BOLT, 5/16" - 18 X 1 3/4" LG | 2 |
| 18 | 00952G6 | | HEX HEAD BOLT, 5/16" - 18 X 3/4" LG | 2 |
| 19 | 16705G1 | | TRUSS HEAD PHILLIPS SCREW (SS), 1/4" - 20 X 1" LG | 2 |
| 20 | 615661 | | WINDSHIELD, 12" (NOT ILLUSTRATED) | 2 |

WEATHER PROTECTION



WEATHER PROTECTION

THE USE OF NON U.L. PARTS WILL VOID ANY U.L. LISTING.

When ordering parts, please specify the model and serial number of the product.

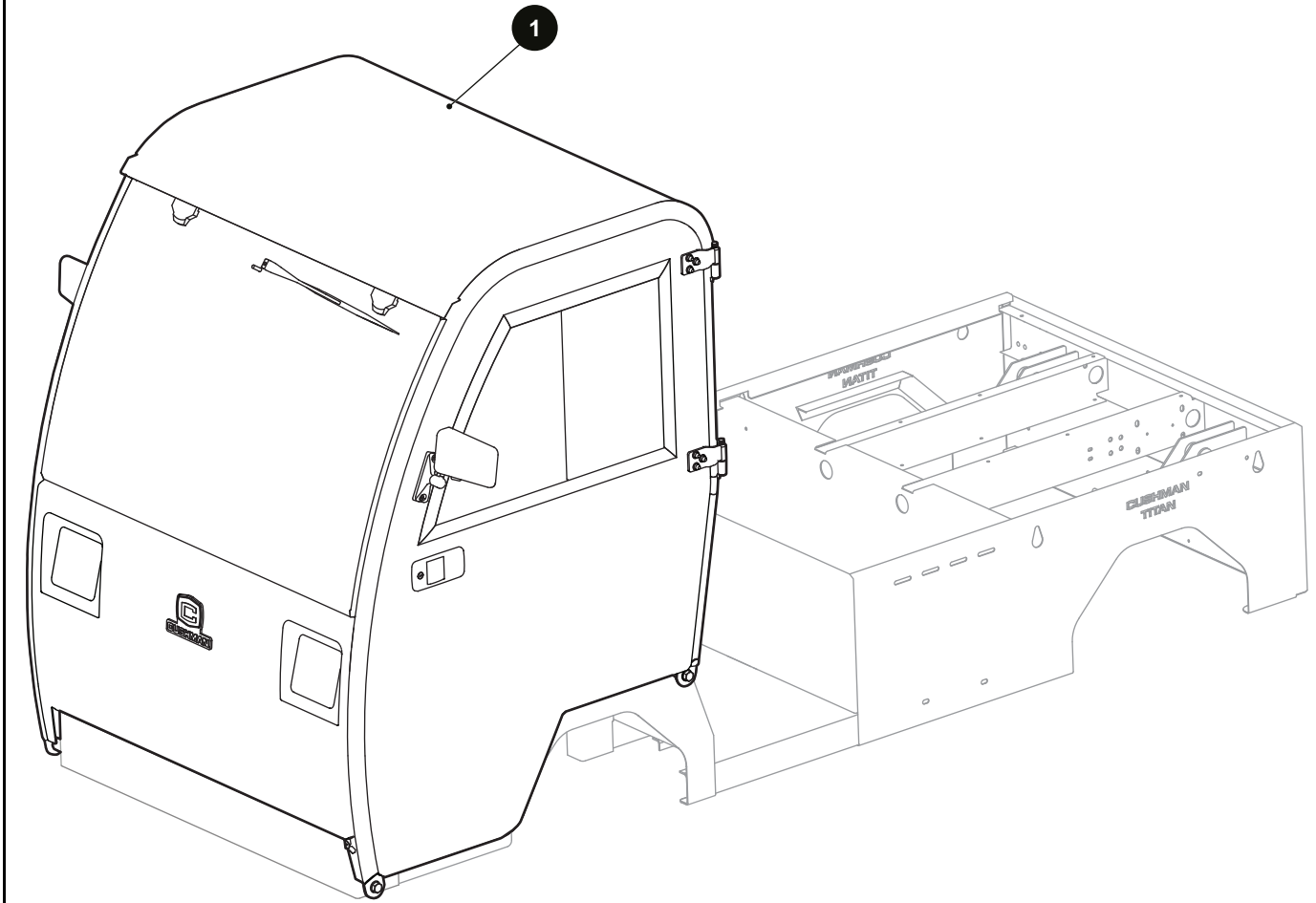
* Indicates a component that is not available as an individual part.

*** Indicates consult Customer Service Department for additional information.

| ITEM | PART NO. | 1 2 3 4 5 | DESCRIPTION | QTY. |
|------|----------|-----------|----------------------------------|------|
| 1 | 548247 | | POP RIVET, .188" X .44" LG | 22 |
| 2 | 602443 | | LONG EXTRUSION | 4 |
| 3 | 602444 | | SHORT EXTRUSION | 1 |
| 4 | 602899 | | CURTAIN (DRIVER SIDE) | 1 |
| 5 | 602441 | | CURTAIN (PASSENGER SIDE) | 1 |
| 6 | 602753 | | REAR CURTAIN..... | 1 |

WEATHER PROTECTION

For TITAN HD only



WEATHER PROTECTION

THE USE OF NON U.L. PARTS WILL VOID ANY U.L. LISTING.

When ordering parts, please specify the model and serial number of the product.

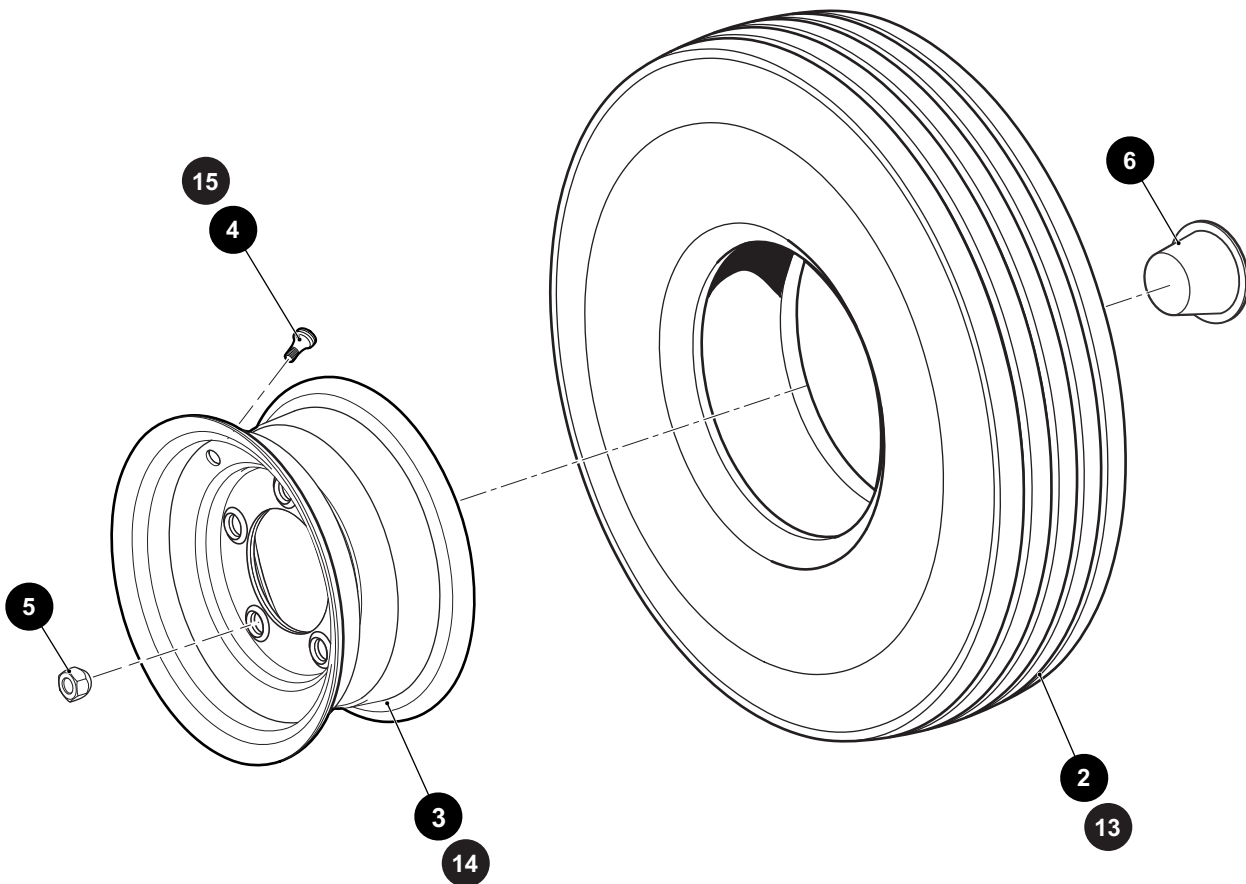
* Indicates a component that is not available as an individual part.

*** Indicates consult Customer Service Department for additional information.

| ITEM | PART NO. | 1 2 3 4 5 | DESCRIPTION | QTY. |
|------|----------|-----------|--|------|
| 1 | 666437 | | <p>CAB.....</p> <p>REPLACEMENT PARTS AND ACCESSORIES MAY BE OBTAINED FROM DFK AMERICA, INC. 2215 W. CURTISS STREET, DOWNERS GROVE, L 60515, U.S.A. PHONE: +1 630 324 6793 E-MAIL: INFO@DFKCABS.COM WWW.DFKCABS.COM</p> | 1 |

WHEELS AND TIRES

- 1 WHEEL AND TIRE ASSEMBLY includes items 2 - 4
- 9 WHEEL AND TIRE ASSEMBLY includes items 2 - 4
- 11 WHEEL AND TIRE ASSEMBLY, 5X8 SOLID includes items 13 - 15
- 12 WHEEL AND TIRE ASSEMBLY, 5X8 NON-MARKING includes items 13 - 15



(Style of tire may differ from tire shown)

WHEELS AND TIRES

THE USE OF NON U.L. PARTS WILL VOID ANY U.L. LISTING.

When ordering parts, please specify the model and serial number of the product.

* Indicates a component that is not available as an individual part.

*** Indicates consult Customer Service Department for additional information.

| ITEM | PART NO. | 1 2 3 4 5 | DESCRIPTION | QTY. |
|------|----------|-----------|---|------|
| 1 | 887023 | | WHEEL AND TIRE ASSEMBLY (INCLUDES ITEMS 2 - 4)..... | 4 |
| 2 | *** | | TIRE, 5.70 - 8..... | 1 |
| 3 | 829146 | | WHEEL RIM..... | 1 |
| 4 | 886735 | | VALVE STEM..... | 1 |
| 5 | 829441 | | LUG NUT, 7/16" - 20..... | 20 |
| 6 | 74175G01 | | DUST CAP | 2 |
| 7 | | | | |
| 8 | | | | |
| 9 | 893471 | | WHEEL AND TIRE ASSEMBLY (INCLUDES ITEMS 2 - 4)..... | 4 |
| 10 | | | | |
| 11 | 640611 | | WHEEL AND TIRE ASSEMBLY, 5 X 8 SOLID (INCLUDES ITEMS 13 - 15)..... | 4 |
| 12 | 640612 | | WHEEL AND TIRE, 5 X 8 NON-MARKING (INCLUDES ITEMS 13 - 15)..... | 4 |
| 13 | *** | | TIRE | 1 |
| 14 | *** | | WHEEL RIM | 1 |
| 15 | *** | | VALVE STEM..... | 1 |



CUSHMAN®

LET'S WORK!

E-Z-GO Division of Textron Inc.,
1451 Marvin Griffin Road, Augusta, Georgia 30906 - 3852 USA

TO CONTACT US...

North America:

Technical Assistance & Warranty Phone: 1-800-774-3946, FAX: 1-800-448-8124

Service Parts Phone: 1-888-GET-E-Z-GO (1-888-438-3946), FAX: 1-800-752-6175

International: Phone: 001-706-798-4311, FAX: 001-706-771-4609

Service Parts Manuals, as well as Repair and Service Manuals
are available from a local Distributor, an authorized Branch,
Genuine E-Z-GO Parts & Accessories Department or at www.shopezgo.com.

Copyrighted Material
This manual may not be reproduced in whole or
in part without the express permission of
E-Z-GO Division of Textron Inc.
Technical Communications Department