



**BAD BOY<sup>®</sup>**  
**OFF ROAD**

**SERVICE PARTS MANUAL**



**640770-AB**

ISSUED OCTOBER 2014

REVISED JULY 2017



# SERVICE PARTS MANUAL

## 4 X 4 HYBRID UTILITY VEHICLE

**AMBUSH iS**

### STARTING MODEL YEAR 2015 THROUGH MODEL YEAR 2017

#### **CALIFORNIA Proposition 65 Warning**

**WARNING:** Motor vehicles may contain fuels, oils and fluids, battery posts, terminals, and related accessories which contain lead, lead compounds and other chemicals identified by the State of California to potentially cause cancer, birth defects and other reproductive harm. These chemicals are found in vehicles, vehicle parts and accessories, both new and replacements. During maintenance, these vehicles generate used oil, waste fluids, grease, fumes and particulates, all identified by the State of California to potentially cause cancer, birth defects, and other reproductive harm.

Never modify the vehicle in any way that will alter the weight distribution of the vehicle, decrease its stability or increase the speed beyond the factory specifications. Such modifications can cause serious personal injury or death. Textron Specialized Vehicles prohibits and disclaims responsibility for any such modifications or any other alteration which would adversely affect the safety of the vehicle.

TSV reserves the right to incorporate engineering and design changes to products in this manual, without obligation to include these changes on units sold previously.

The information contained in this manual may be revised periodically by TSV, and therefore is subject to change without notice.

TSV DISCLAIMS LIABILITY FOR ERRORS IN THIS MANUAL, and SPECIFICALLY DISCLAIMS LIABILITY FOR INCIDENTAL AND CONSEQUENTIAL DAMAGES resulting from the use of the information and materials in this manual.

These are the original instructions as defined by 2006/42/EC.

#### **TO CONTACT US:**

**Textron Specialized Vehicles, Inc.**

**1451 Marvin Griffin Road**

**Augusta, Georgia, USA 30906-3852**

#### **NORTH AMERICA:**

**Technical Assistance & Warranty PHONE: 1-800-774-3946, FAX: 1-800-448-8124**

**Service Parts PHONE: 1-888-438-3946, FAX: 1-800-752-6175**

**International: PHONE: 001-706-798-4311, FAX: 001-706-771-4609**

**For parts and repair, contact local dealer. Dealers can be located at [www.BADBOYOFFROAD.com](http://www.BADBOYOFFROAD.com)**

## NOTES

This vehicle has been designed and manufactured in the United States of America (USA). The Standards and Specifications listed in the following text originate in the USA unless otherwise indicated.

When servicing engines, all adjustments and replacement components must be per original vehicle specifications in order to maintain the United States of America Federal and State emission certification applicable at the time of manufacture.

The use of non-Original Equipment Manufacturer (OEM) approved parts may void the warranty.

Failure to properly maintain batteries may void the warranty. Refer to the battery manual for instructions on the proper maintenance and care of the batteries.

### BATTERY PROLONGED STORAGE

Batteries self-discharge over time. The rate of self-discharge varies depending on the ambient temperature, the age and condition of the batteries.

Fully charged batteries will not freeze in winter temperatures unless the temperature falls below -75°F (-60°C).

For winter storage, the batteries must be clean, fully charged and disconnected from any source of electrical drain.

The battery charger may be left connected to the vehicle to maintain a full charge on the batteries, provided the charger is plugged into an active electrical source. If power to the electrical source is disconnected or interrupted, the battery charger will continue to check the charge on the battery pack. This will draw power from the battery pack and eventually drain the batteries if power is not restored in a timely manner.

The batteries must be checked and recharged as required or at a minimum of 30 day intervals.

Check and maintain the proper fluid level in all battery cells during the storage period. Proper fluid level is required for maximum battery performance.

### BATTERY DISPOSAL

Lead-acid batteries are recyclable. Return whole scrap batteries to distributor, manufacturer or lead smelter for recycling. For neutralized spills, place residue in acid-resistant containers with absorbent material, sand or earth and dispose of in accordance with local, state and federal regulations for acid and lead compounds. Contact local and/or state environmental officials regarding disposal information.

### WARRANTY

Separate inserts supplied in packaging with the vehicle provide information on Product Warranty and on Emissions Warranty. Failure to follow instructions for emission parts replacement may violate Federal Law (40 CFR part 1068.105 (b)) and be subject to fines and other penalties as described in the Clean Air Act.

# TABLE OF CONTENTS

<b>SECTION</b>	<b>Page No.</b>
HOW TO USE THE SERVICE PARTS MANUAL .....	v
ACCELERATOR .....	A - 1
BATTERY SYSTEM.....	B - 1
BODY .....	C - 1
BRAKES .....	D - 1
CLUTCH .....	E - 1
DIRECTION SELECTOR.....	F - 1
DIFFERENTIAL LOCK.....	G - 1
ELECTRICAL SYSTEM .....	H - 1
ENGINE .....	J - 1
ENGINE MUFFLER .....	K - 1
FRONT AXLE .....	L - 1
FRONT SUSPENSION AND STEERING .....	M - 1
FUEL SYSTEM .....	N - 1
MOTOR.....	P - 1
OPERATOR PROTECTION SYSTEM (OPS).....	Q - 1
REAR AXLE.....	R - 1
REAR SUSPENSION .....	S - 1
SEATING .....	T - 1
TRUCK BED .....	U - 1
WEATHER PROTECTION .....	V - 1
WHEELS AND TIRES.....	W - 1



# HOW TO USE THE SERVICE PARTS MANUAL

This manual is divided into several sections:

- GENERAL INFORMATION
- ILLUSTRATED PARTS BREAKDOWN
- APPENDIX

The first section, GENERAL INFORMATION, contains the following information:

- WARRANTY INFORMATION
- GENERAL INDEX
- HOW TO USE THE SERVICE PARTS MANUAL

The second section, ILLUSTRATED PARTS BREAKDOWN, contains illustrations and parts lists for all systems of your vehicle.

The third section, APPENDIX, contains a listing of specialty products and accessories.

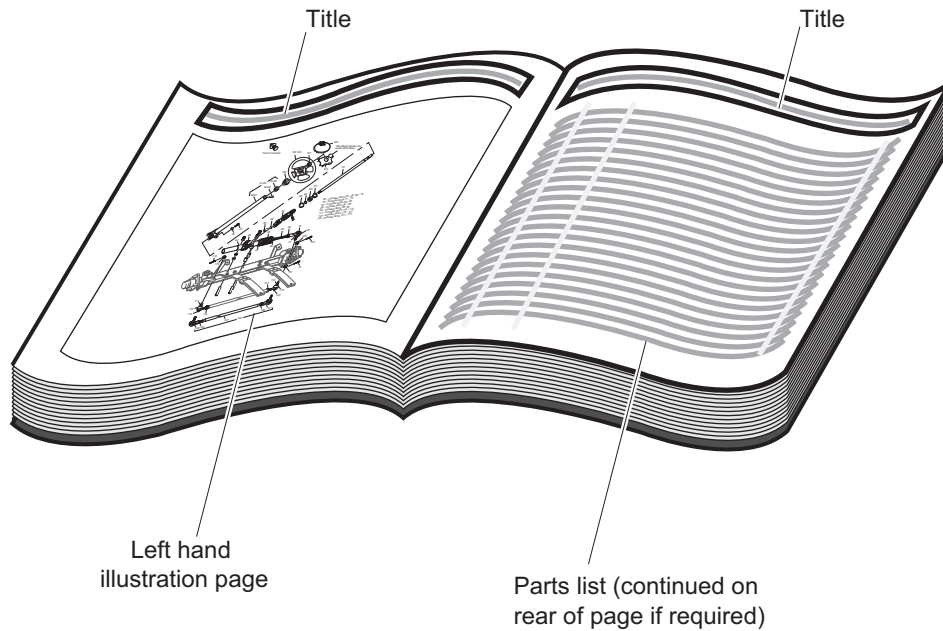
## USE OF THE MANUAL

To use this manual, consult the GENERAL INDEX to locate the information or illustration required.

Introduction of some revisions varies due to supply of components; therefore, it is possible that various combinations of components may be found that are not directly reflected by each illustration. Consult the illustration that best suits your situation and then contact the Service Parts Department. It is important that the serial number of your vehicle and its model number be supplied to Service Parts when ordering any replacement components.

Locate the serial number plate (see BODY located in the Illustrated Parts Breakdown section of this manual for its location) and note the complete number shown on the plate.

# HOW TO USE THE SERVICE PARTS MANUAL



## 1. WHEN THE PART NUMBER IS NOT KNOWN

- Determine the function and application of the part required. Turn to the General Index and select the most appropriate title.
- Turn to the page number indicated and locate the desired part on the illustration.
- From the illustration, obtain the item number assigned to the desired part. Refer to the accompanying description for specific information regarding the part.

## 2. IF YOU KNOW THE PART NUMBER

- Locate the part number or description in the appropriate column on the parts list page.

NOTE: It is suggested that you confirm that the part selected is correct by verifying it with the pictorial representation on the illustrated page.

Should an asterisk (\*) appear in the part number column on the parts list page, read upwards until a part number is found. The part number is the lowest assembly sold by Service Parts and the asterisk (\*) indicates that the part depicted is not available for purchase.

NOTE: Descriptions are indented under the assembly that they are used on. That assembly is, in turn listed under the assembly that it is used on. This process is repeated until the highest final assembly is reached.

**To facilitate the maintenance and repair of the vehicle, a Technician's Repair and Service Manual is available from the Service Parts Department.**



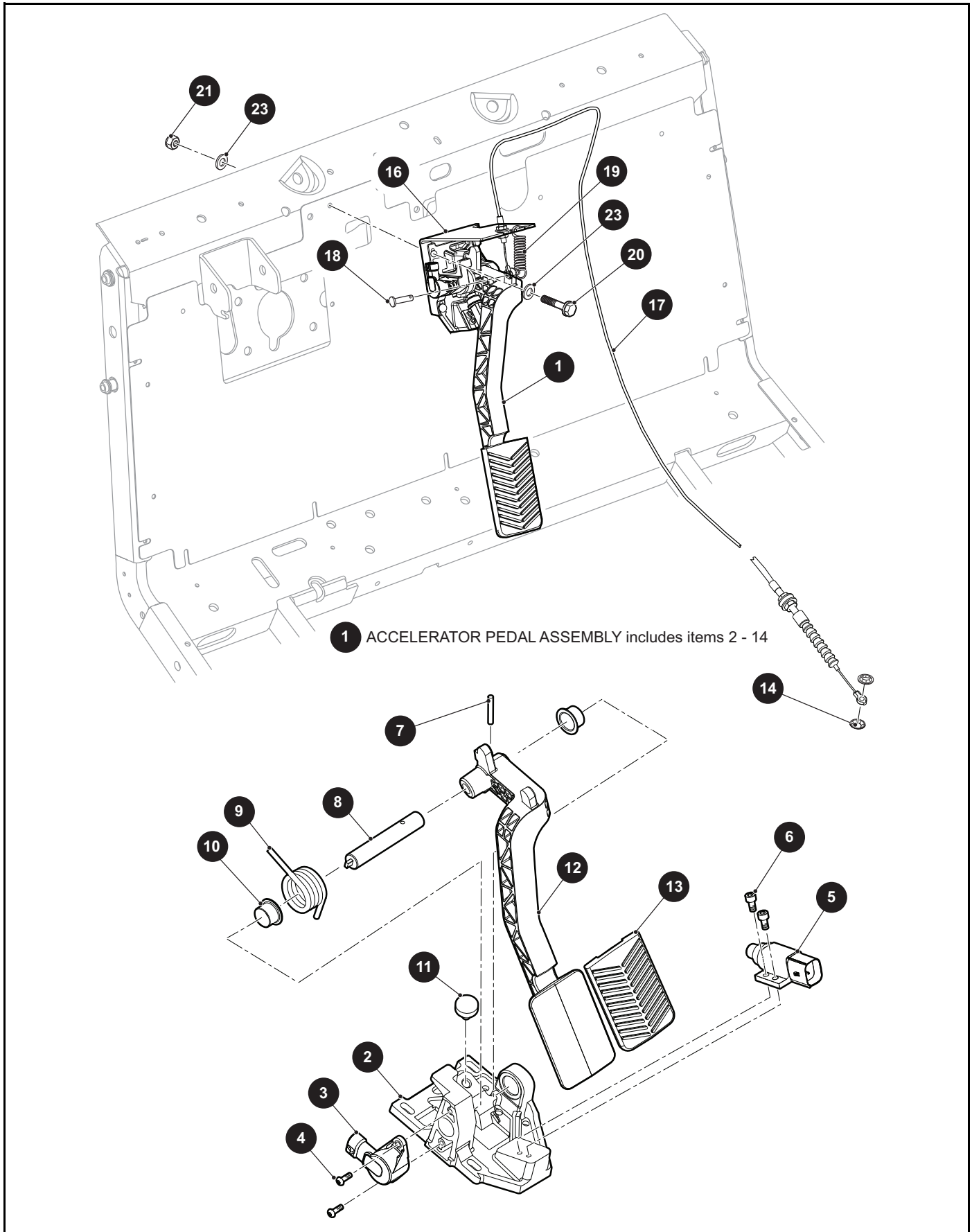
# HOW TO USE THE SERVICE PARTS MANUAL

## 3. COLOR CODE FOR BODY COMPONENTS

The last two digits of the part number for the body part will denote the color code. Locate the part number for the cowl, rear body, seat pod, side panel or seat wrap then locate your color in the list below. Replace the last \*\* or XX with the two digit color code.

<b><u>CODE #</u></b>	<b><u>DESCRIPTION</u></b>
38	BRIGHT WHITE
39	FLAME RED
72	MATTE BLACK
78	REALTREE XTRA DIPPED
80	REALTREE MAX 5 DIPPED

# ACCELERATOR



# ACCELERATOR

THE USE OF NON U.L. PARTS WILL VOID ANY U.L. LISTING.

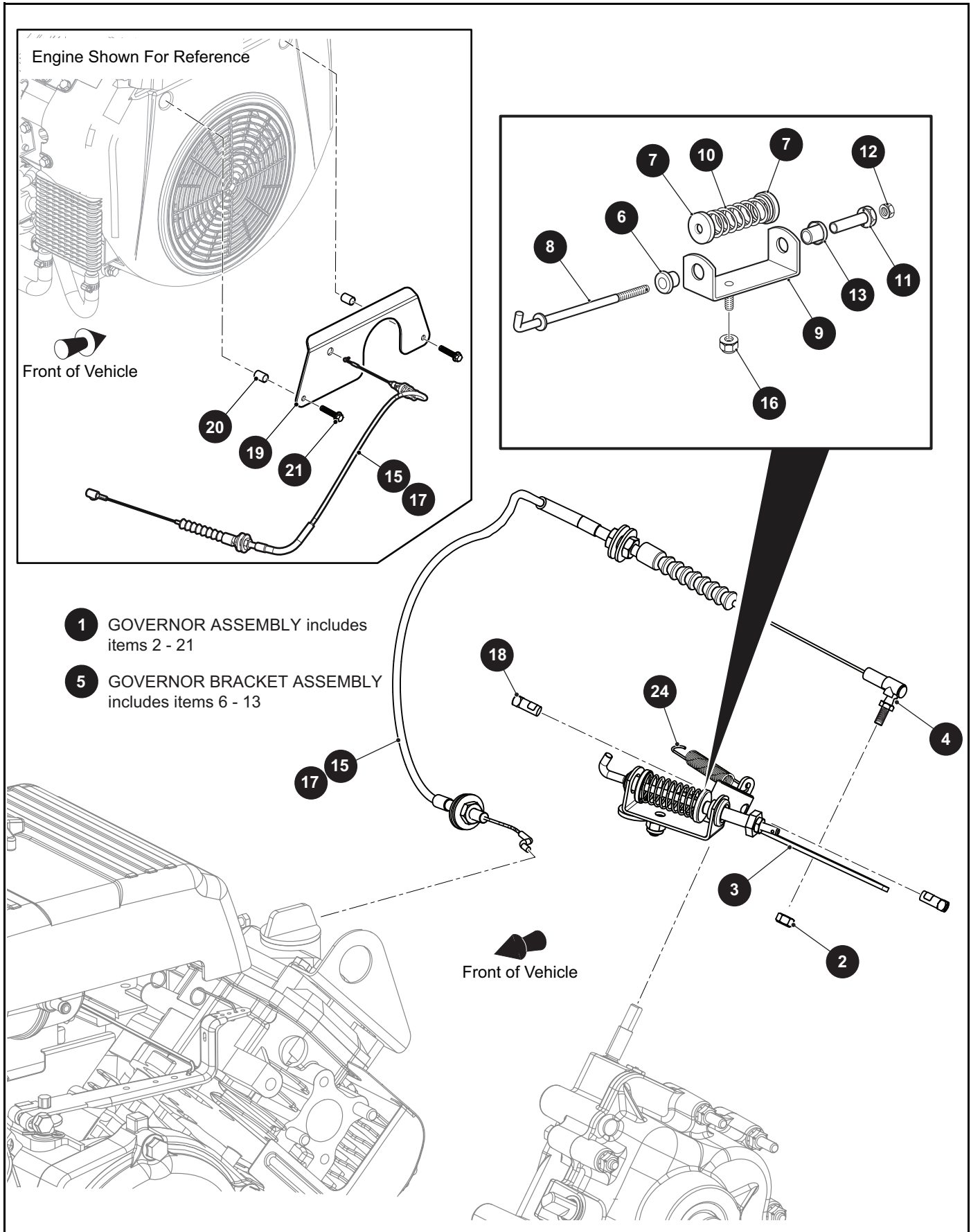
When ordering parts, please specify the model and serial number of the product.

\* Indicates a component that is not available as an individual part.

\*\*\* Indicates consult Customer Service Department for additional information.

ITEM	PART NO.	1 2 3 4 5	DESCRIPTION	QTY.
1	653676		ACCELERATOR PEDAL ASSEMBLY (INCLUDES ITEMS 2 - 14) .....	1
2	626140		ACCELERATOR PEDAL BRACKET .....	1
3	600019		ROTARY POSITION SENSOR.....	1
4	600543		TORX BOLT, M4 - .75 X 12MM LG.....	2
5	612889		PEDAL SWITCH.....	1
6	620030		SOCKET HEAD CAP SCREW, M5 - .8 X 10MM LG .....	2
7	600683		COILED SPRING PIN, 4MM X 26MM .....	1
8	638177		ACCELERATOR PIVOT SHAFT.....	1
9	653205		TORSION SPRING, 4.5MM DIA.....	1
10	625731		FLANGED BUSHING, 16MM X 12MM.....	2
11	604097		REBOUND BUMPER .....	1
12	632679		SUSPENDED ACCELERATOR PEDAL .....	1
13	610529		ACCELERATOR PEDAL COVER.....	1
14	12064G3		PUSH NUT, 3/16" .....	2
15				
16	632759		ACCELERATOR BRACKET.....	1
17	635195		ACCELERATOR PEDAL CABLE .....	1
18	10386G2		CLEVIS PIN .....	1
19	632919		ACCELERATOR PEDAL HELPER SPRING.....	1
20	00415G2		HEX HEAD BOLT, 1/4" - 20 X 1 1/4" LG .....	3
21	14390G4		LOCK NUT, 1/4" - 20.....	3
22	31539G1		NYLON CLAMP, 15.5" LG (NOT ILLUSTRATED).....	1
23	00559G7		FLAT WASHER, 1/4" .....	6

# ACCELERATOR



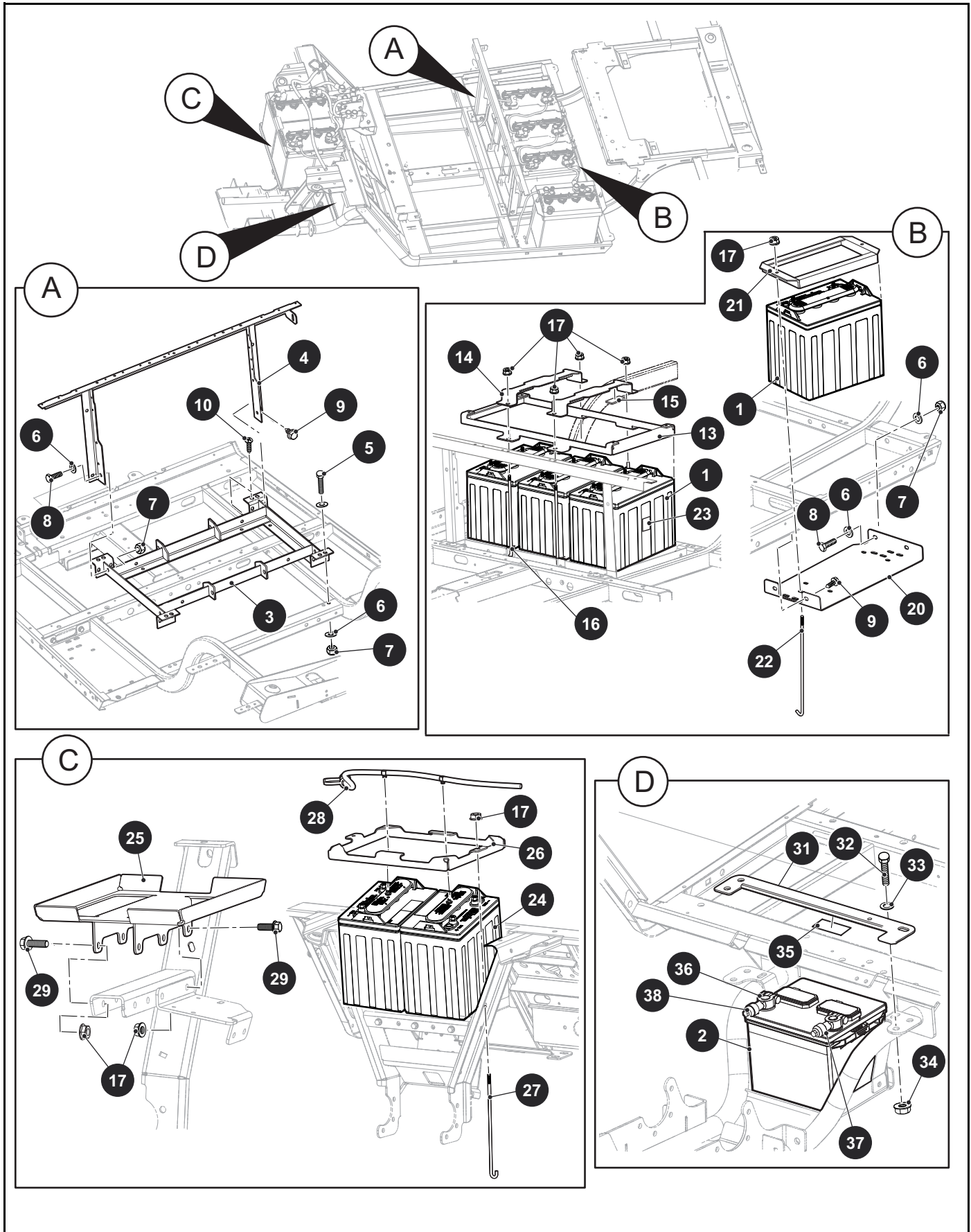
THE USE OF NON U.L. PARTS WILL VOID ANY U.L. LISTING.  
 When ordering parts, please specify the model and serial number of the product.  
 \* Indicates a component that is not available as an individual part.  
 \*\*\* Indicates consult Customer Service Department for additional information.

ITEM	PART NO.	1 2 3 4 5	DESCRIPTION	QTY.
1	638641		GOVERNOR ASSEMBLY (INCLUDES ITEMS 2 - 21) .....	1
2	00734G5		LOCK NUT, #10 - 32.....	1
3	638954		GOVERNOR LEVER WELDMENT .....	1
4	72732G01		BALL JOINT.....	1
5	22751G2		GOVERNOR BRACKET ASSEMBLY (INCLUDES ITEMS 6 - 13) .....	1
6	22754G1		BUSHING FLIP-LOCK, .25" .....	1
7	25661G01		CUP WASHER, .84" .....	2
8	25274G1		GOVERNOR ROD .....	1
9	22752G1		GOVERNOR BRACKET WELDMENT.....	1
10	23578G1		COMPRESSION SPRING .....	1
11	23859G1		GOVERNOR ADJUSTER .....	1
12	00526G4		HEX NUT, #10 - 32.....	1
13	22754G2		BUSHING FLIP-LOCK, .375" .....	1
14				
15	635313		GOVERNOR CABLE .....	1
16	14390G4		LOCK NUT, 1/4" - 20 .....	1
17	646094		GOVERNOR CABLE .....	1
18	71215G01		SET SCREW WITH PATCH LOCK, 1/4" - 20 .....	2
19	646070		GOVERNOR CABLE MOUNTING BRACKET .....	1
20	23726G7		SPACER, .315" X .4" X .55" LG.....	2
21	643471		FLANGED HEX HEAD BOLT, M6 - 1 X 35MM LG .....	2
22				
23				
24	635011		GOVERNOR SPRING EXTENSION.....	1





# BATTERY SYSTEM





# BATTERY SYSTEM

THE USE OF NON U.L. PARTS WILL VOID ANY U.L. LISTING.

When ordering parts, please specify the model and serial number of the product.

\* Indicates a component that is not available as an individual part.

\*\*\* Indicates consult Customer Service Department for additional information.

ITEM	PART NO.	1 2 3 4 5	DESCRIPTION	QTY.
1	612626		BATTERY, 8V .....	4
2	639553		STARTER BATTERY, 12V .....	1
3	632784		BATTERY RACK WELDMENT .....	1
4	632688		SEAT FRAME WELDMENT .....	1
5	00440G6		HEX HEAD BOLT, 5/16" - 18 X 2.75" LG .....	2
6	00559G8		FLAT WASHER, 5/16" .....	10
7	11098G6		LOCK NUT, 5/16" - 18 .....	6
8	00438G8		HEX HEAD BOLT, 5/16" - 18 X 1" LG .....	4
9	00715G2		FLANGED HEX HEAD BOLT, 5/16" - 18 X .875" LG .....	4
10	70200G01		TRUSS HEAD MACHINE SCREW, 3/8" -16 X 1" LG .....	2
11				
12				
13	633190		BATTERY HOLD DOWN WELDMENT, 3 - 8V .....	1
14	633191		INNER BATTERY HOLD DOWN BRACKET, 3 - 8V .....	2
15	608513		RUBBER PAD .....	4
16	01101G01		TIE DOWN BOLT .....	4
17	11027G1		FLANGED LOCK NUT, 5/16" - 18 .....	13
18				
19				
20	652443G103		BATTERY TRAY BRACKET (DRIVER SIDE) .....	1
21	616229		BATTERY HOLD DOWN WELDMENT, 1 - 8V .....	1
22	70386G01		TIE DOWN BOLT .....	2
23	35493G01		BATTERY DISPOSAL DECAL .....	7
24	614382		BATTERY, 8V (HYDROLINK).....	2
25	634672		BATTERY TRAY FRAME BRACKET .....	1
26	634673		FRONT BATTERY HOLD DOWN .....	1
27	604197		BATTERY HOOK BOLT .....	2
28	623299		FRONT BATTERY FILL SYSTEM.....	1
29	548604		FLANGED HEX HEAD BOLT, 5/16" - 18 X 3/4" LG .....	5
30				
31	626723		12V STARTER BATTERY TRAY HOLD DOWN .....	1

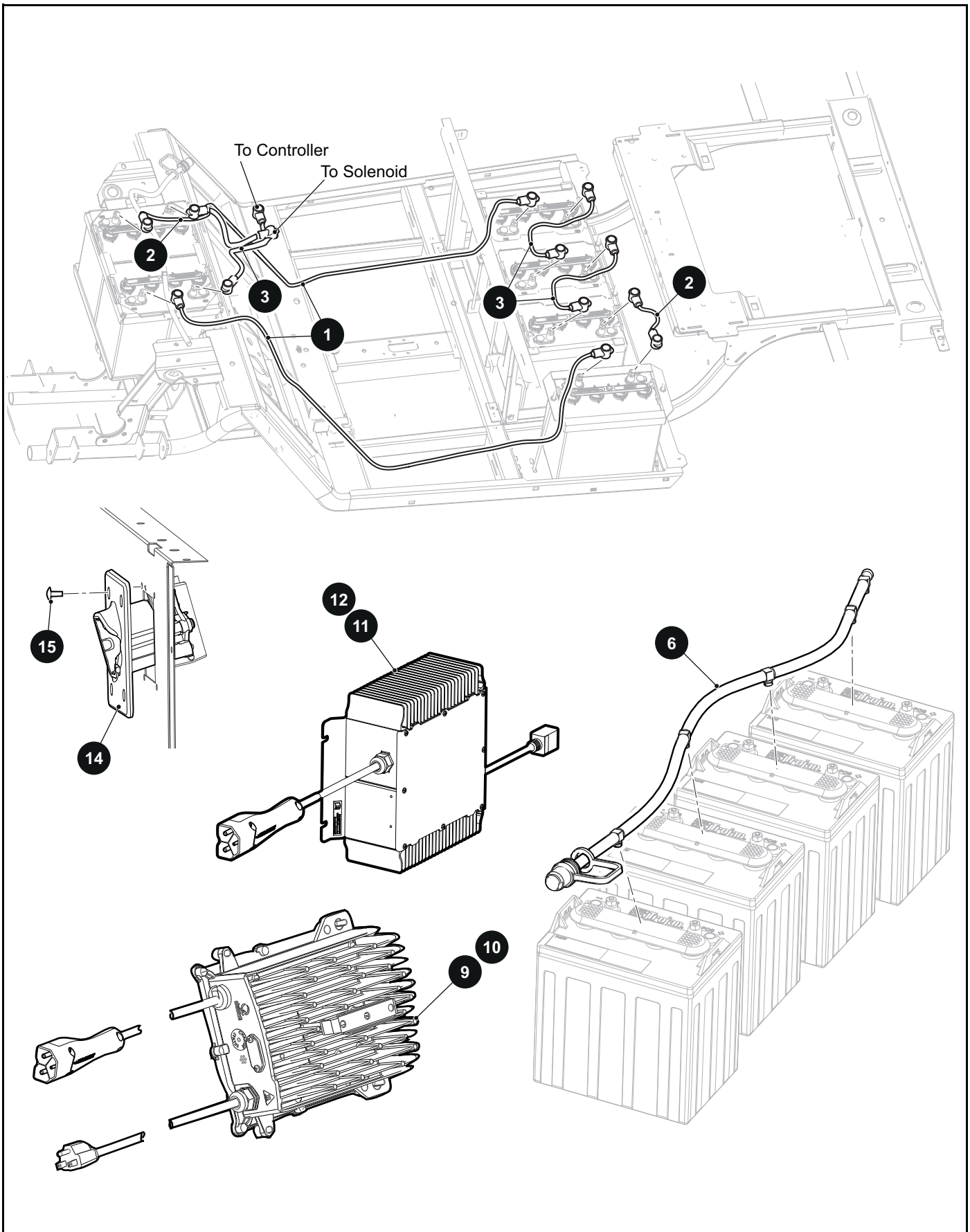
# BATTERY SYSTEM

THE USE OF NON U.L. PARTS WILL VOID ANY U.L. LISTING.  
 When ordering parts, please specify the model and serial number of the product.  
 \* Indicates a component that is not available as an individual part.  
 \*\*\* Indicates consult Customer Service Department for additional information.

ITEM	PART NO.	1 2 3 4 5	DESCRIPTION	QTY.
32	00426G8		HEX HEAD BOLT, 5/16" - 18 X 1" LG.....	2
33	00560G1		FLAT WASHER, 3/8" .....	2
34	12262G1		FLANGED LOCK NUT, 5/16" - 18 .....	2
35	608513		RUBBER PAD .....	2
36	640359		TERMINAL ADAPTER, POSITIVE .....	1
37	640360		TERMINAL ADAPTER, NEGATIVE .....	1
38	640428		BOLT EXTENDER .....	2



# BATTERY SYSTEM



# BATTERY SYSTEM

THE USE OF NON U.L. PARTS WILL VOID ANY U.L. LISTING.

When ordering parts, please specify the model and serial number of the product.

\* Indicates a component that is not available as an individual part.

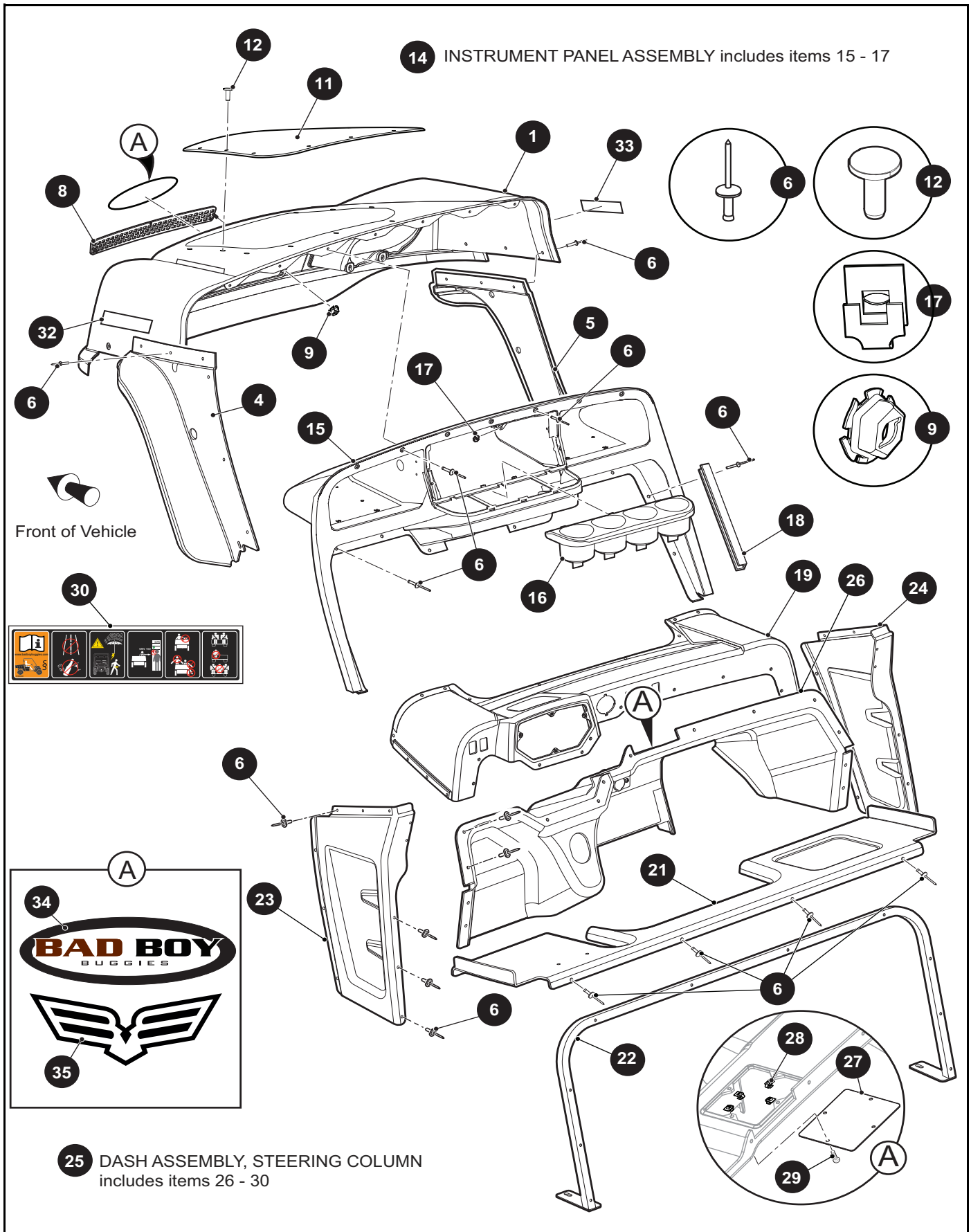
\*\*\* Indicates consult Customer Service Department for additional information.

ITEM	PART NO.	1 2 3 4 5	DESCRIPTION	QTY.
1	634715		WIRE, 2 AWG, 71" LG .....	2
2	634718		WIRE, 2 AWG, 10" LG .....	2
3	634717		WIRE, 2 AWG, 16" LG .....	3
4				
5				
6	649868		REAR BATTERY FILL SYSTEM .....	1
7				
8				
9	635671		CHARGER, 48V, 3M CORD .....	1
10	635672		CHARGER, 48V, 5.5M CORD .....	1
11	622883		WORLD CHARGER, 48V, 5.5M CORD .....	1
12	632884		WORLD CHARGER, 48V, 3M CORD .....	1
13				
14	613304		CHARGER RECEPTACLE, 48V .....	1
15	14601G10		RIVET (ALUMINUM), 5/32" .....	4





# BODY - FRONT





# BODY - FRONT

THE USE OF NON U.L. PARTS WILL VOID ANY U.L. LISTING.

When ordering parts, please specify the model and serial number of the product.

\* Indicates a component that is not available as an individual part.

\*\*\* Indicates consult Customer Service Department for additional information.

ITEM	PART NO.	1 2 3 4 5	DESCRIPTION	QTY.
1	613036G3XX		COWL (See COLOR CODE in HOW TO USE Section of Manual).....	1
2				
3				
4	633010G02		FRONT FENDER FLARE (DRIVER SIDE).....	1
5	633010G01		FRONT FENDER FLARE (PASSENGER SIDE) .....	1
6	71055G01		RIVET, 3/16" X 1" LG .....	29
7				
8	617643		COWL GRILL COVER .....	1
9	71597G01		SELF THREADING NUT, 5MM X 10MM X 15MM .....	2
10				
11	633268GXX		ACCESS COVER (See COLOR CODE in HOW TO USE Section of Manual) .....	1
12	617533		PUSH RIVET.....	9
13				
14	633298		INSTRUMENT PANEL ASSEMBLY (INCLUDES ITEMS 15 - 17).....	1
15	633297		INSTRUMENT PANEL.....	1
16	71158G01		CUP INSERT .....	1
17	71364G02		"J" TYPE SPEED NUT, #8.....	5
18	71115G01		TRIM PANEL .....	2
19	638058		DASH PANEL, TOP .....	1
20				
21	638059		DASH PANEL, BOTTOM .....	1
22	632989		DASH SUPPORT BRACKET .....	1
23	638055		KICK PANEL (DRIVER SIDE).....	1
24	638057		KICK PANEL (PASSENGER SIDE) .....	1
25	638066		DASH ASSEMBLY, STEERING COLUMN (INCLUDES ITEMS 26 - 30).....	1
26	638052		COVER.....	1
27	638065		SWITCH COVER.....	1
28	71364G03		"J" TYPE SPEED NUT, #8.....	4
29	608290		SELF TAPPING SCREW, #10 - 16 X .780" LG .....	4
30	638040		DASH PANEL LABEL .....	1

## BODY - FRONT

THE USE OF NON U.L. PARTS WILL VOID ANY U.L. LISTING.

When ordering parts, please specify the model and serial number of the product.

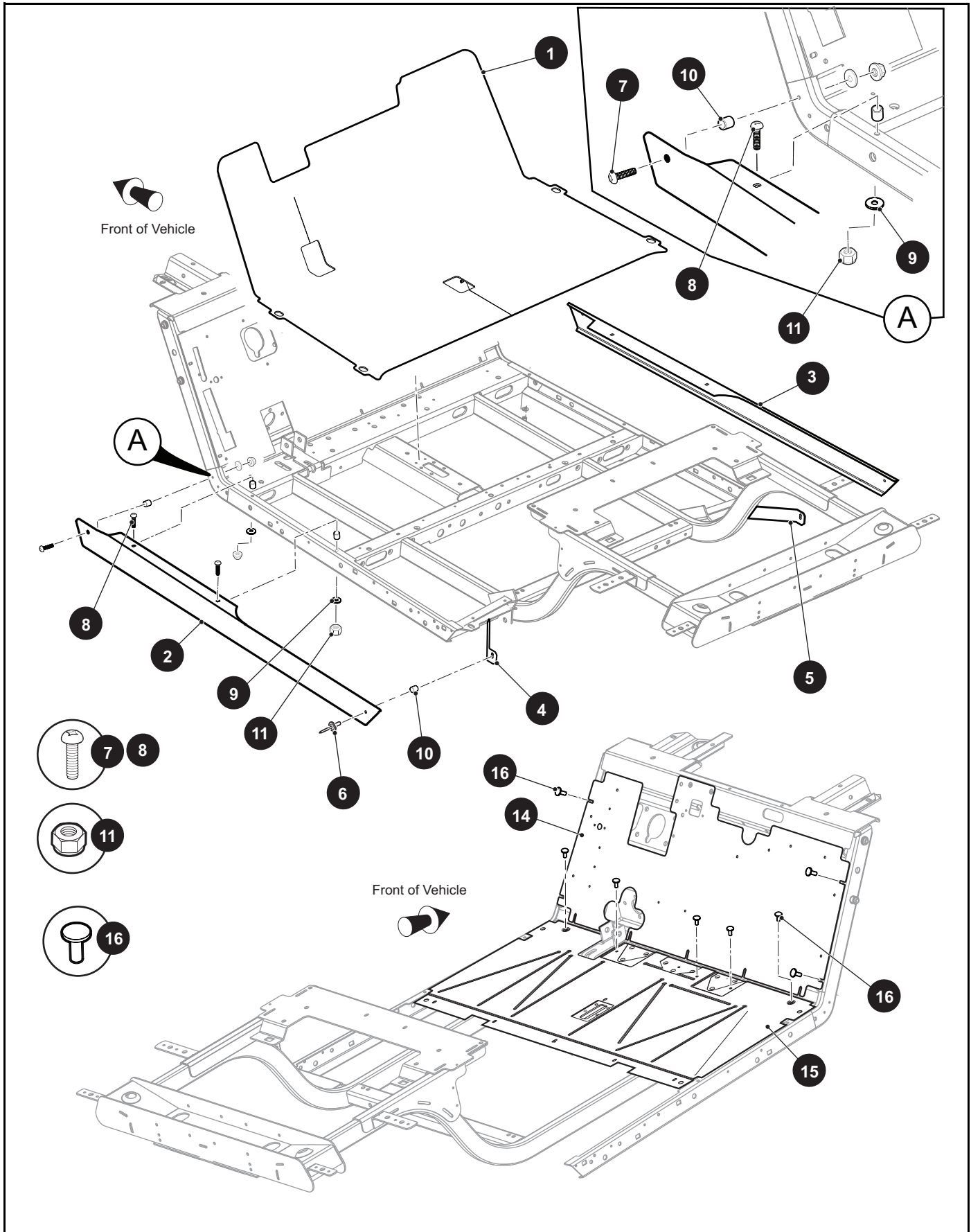
\* Indicates a component that is not available as an individual part.

\*\*\* Indicates consult Customer Service Department for additional information.

ITEM	PART NO.	1	2	3	4	5	DESCRIPTION	QTY.
31								
32	655620G01						SIDE COWL DECAL (DRIVER SIDE) (FOR VEHICLES MANUFACTURED FROM 19 SEPTEMBER 2016) .....	1
33	655620G02						SIDE COWL DECAL (PASSENGER SIDE) (FOR VEHICLES MANUFACTURED FROM 19 SEPTEMBER 2016) .....	1
34	626663						COWL DECAL (FOR VEHICLES MANUFACTURED UNTIL 18 SEPTEMBER 2016) .....	1
35	655659						COWL DECAL (FOR VEHICLES MANUFACTURED FROM 19 SEPTEMBER 2016) .....	1



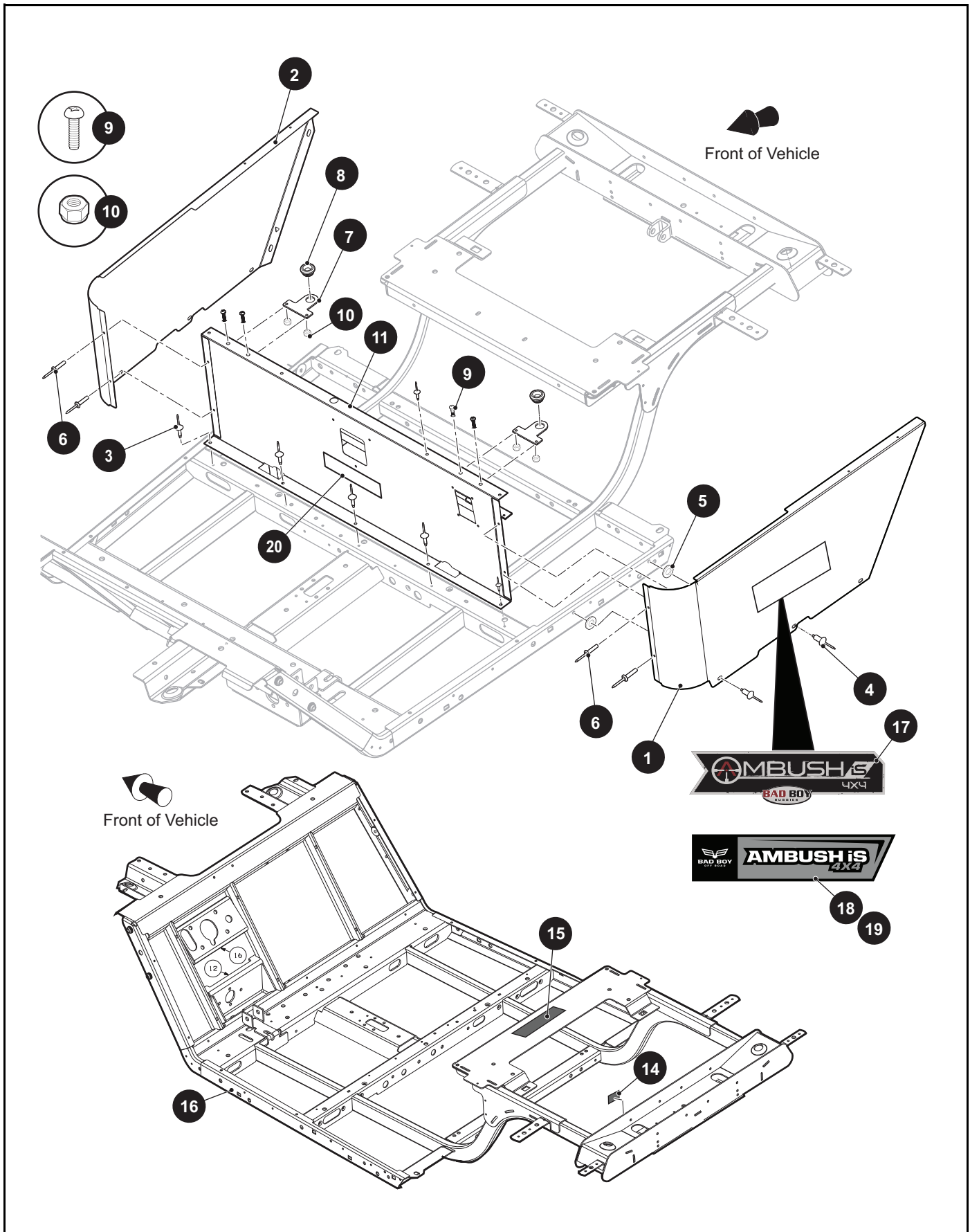
# BODY - MID



THE USE OF NON U.L. PARTS WILL VOID ANY U.L. LISTING.  
 When ordering parts, please specify the model and serial number of the product.  
 \* Indicates a component that is not available as an individual part.  
 \*\*\* Indicates consult Customer Service Department for additional information.

ITEM	PART NO.	1 2 3 4 5	DESCRIPTION	QTY.
1	632254		FLOOR MAT, DIAMOND PLATE.....	1
2	618886		ROCKER PANEL (DRIVER SIDE).....	1
3	618885		ROCKER PANEL (PASSENGER SIDE) .....	1
4	71440G03		PANEL BRACE (DRIVER SIDE).....	1
5	71440G04		PANEL BRACE (PASSENGER SIDE) .....	1
6	15058G6		RIVET (ALUMINUM), 3/16" X .95" .....	2
7	00789G2		PHILLIPS HEAD SCREW, #10 - 24 X 1 1/4" LG .....	2
8	16705G1		TRUSS HEAD MACHINE SCREW, 1/4" - 20 X 1" LG .....	4
9	00559G7		FLAT WASHER, 1/4".....	4
10	23726G4		SPACER, .32" LG .....	8
11	14390G4		LOCK NUT, 1/4" - 20.....	4
12				
13				
14	640553		UPPER FLOOR PANEL.....	1
15	70451G03		LOWER FLOOR PANEL.....	1
16	14601G11		RIVET, 3/16" X 9/16" .....	14

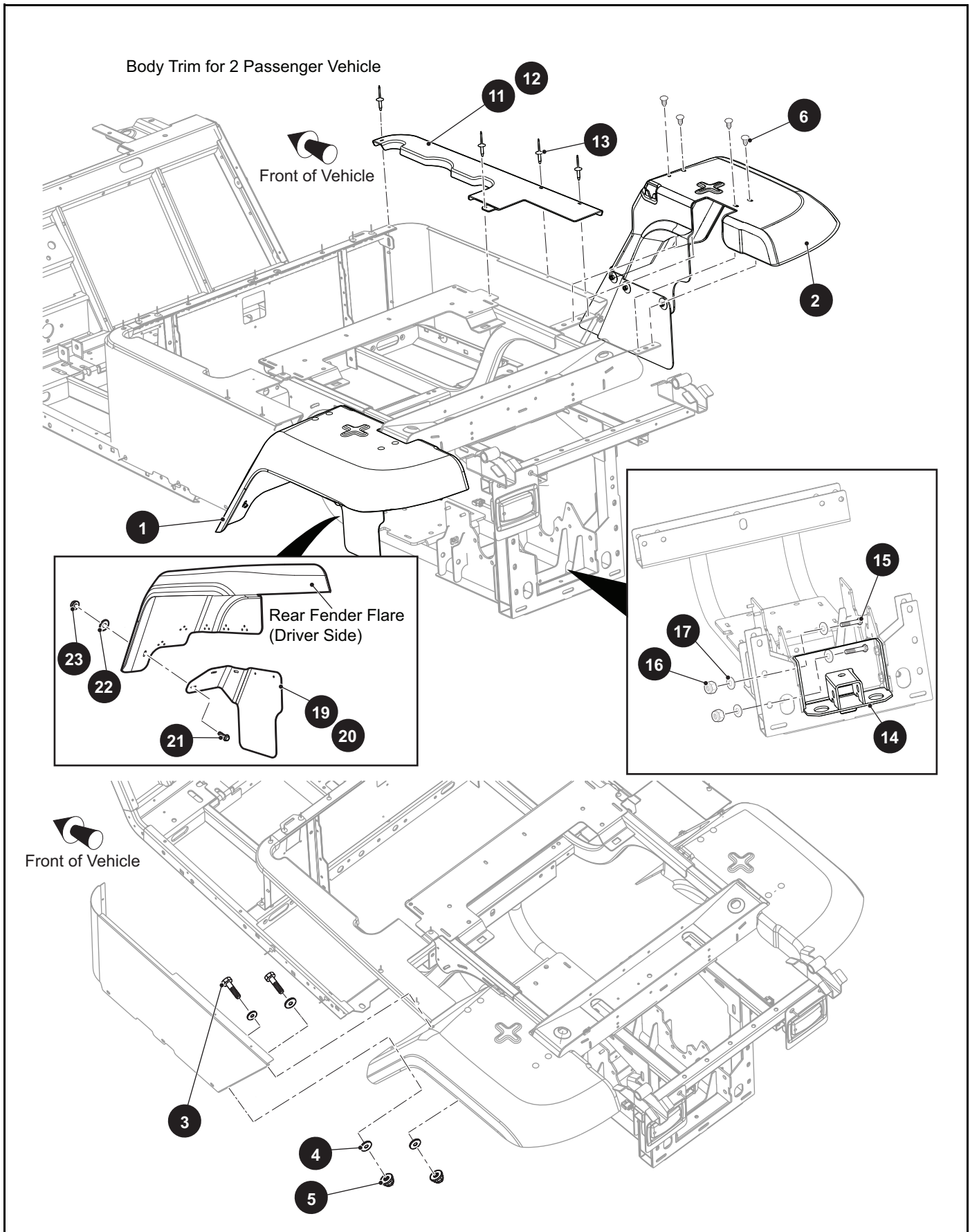
# BODY - MID



THE USE OF NON U.L. PARTS WILL VOID ANY U.L. LISTING.  
 When ordering parts, please specify the model and serial number of the product.  
 \* Indicates a component that is not available as an individual part.  
 \*\*\* Indicates consult Customer Service Department for additional information.

ITEM	PART NO.	1 2 3 4 5	DESCRIPTION	QTY.
1	609168G1XX		SIDE PANEL (DRIVER SIDE) (See COLOR CODE In HOW TO USE Section) .....	1
2	609168G2XX		SIDE PANEL (PASSENGER SIDE) (See COLOR CODE In HOW TO USE Section) .....	1
3	10570G10		RIVET (SS), .156" X .55" .....	8
4	10570G12		RIVET, .257" X .556" .....	4
5	16469G1		FENDER WASHER, 1/4" .....	4
6	71055G01		RIVET, 3/16" .....	4
7	642136		SEAT RETENTION BRACKET .....	2
8	638668		SEAT RETENTION GROMMET.....	2
9	800296		PAN HEAD MACHINE SCREW, #10 - 24 X 3/4" LG.....	4
10	14390G10		LOCK NUT, #10 - 24 .....	4
11	633168GXX		SEAT WRAP PANEL (See COLOR CODE In HOW TO USE SECTION).....	1
12				
13				
14	75696G01		EXHAUST LABEL .....	1
15	74093G01		ENGINE WARNING LABEL .....	1
16	641624		FRAME WELDMENT .....	1
17	634954		SIDE DECAL (FOR VEHICLES MANUFACTURED UNTIL 18 SEPTEMBER 2016).....	2
18	655615G01		SIDE DECAL (DRIVER SIDE) (FOR VEHICLES MANUFACTURED FROM 19 SEPTEMBER 2016).....	1
19	655615G02		SIDE DECAL (PASSENGER SIDE) (FOR VEHICLES MANUFACTURED FROM 19 SEPTEMBER 2016).....	1
20	640561		BATTERY LABEL.....	1

# BODY - REAR





## BODY - REAR

THE USE OF NON U.L. PARTS WILL VOID ANY U.L. LISTING.

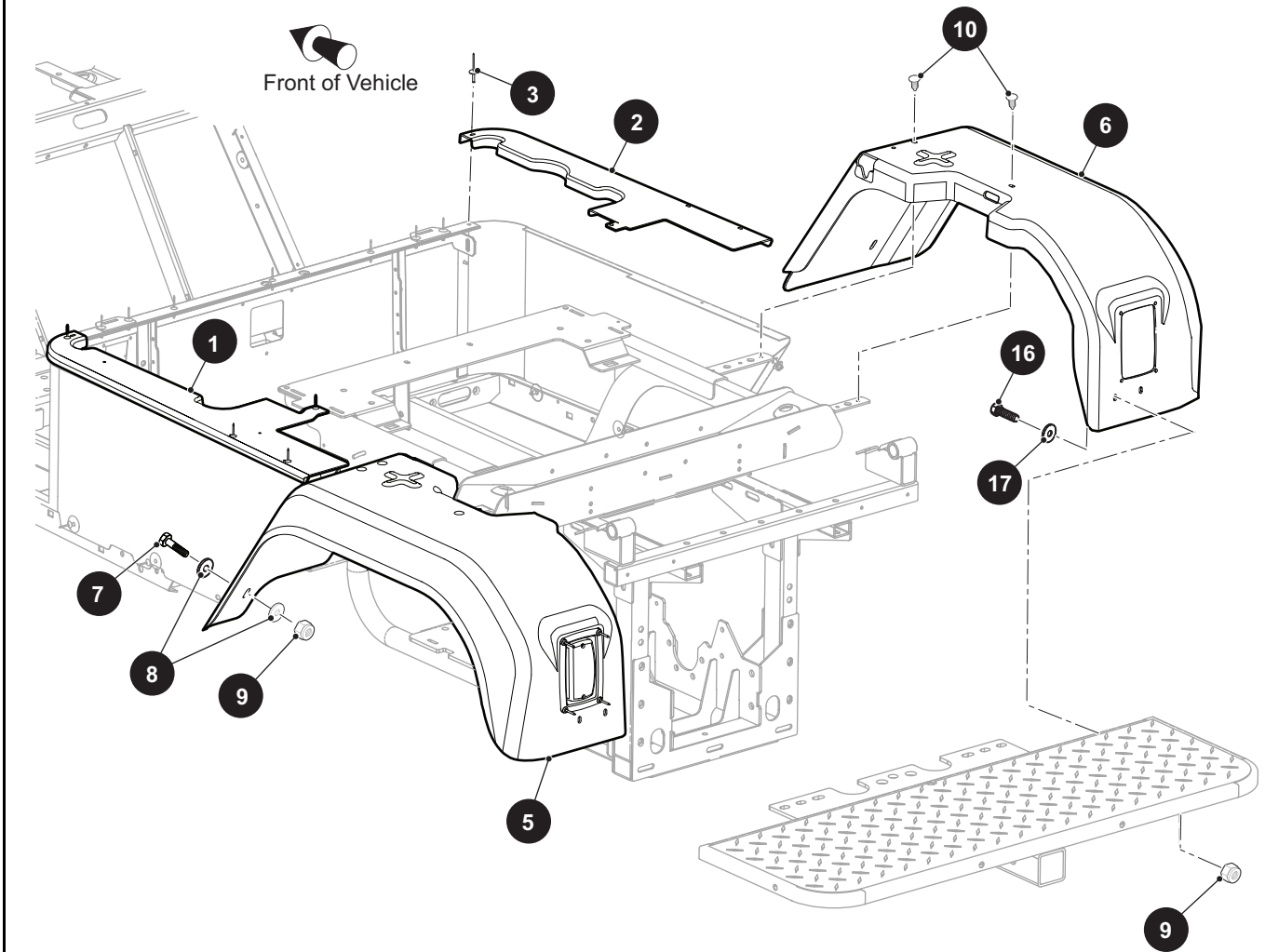
When ordering parts, please specify the model and serial number of the product.

\* Indicates a component that is not available as an individual part.

\*\*\* Indicates consult Customer Service Department for additional information.

ITEM	PART NO.	1 2 3 4 5	DESCRIPTION	QTY.
1	646133		REAR FENDER FLARE, 2 PASSENGER (DRIVER SIDE) .....	1
2	646135		REAR FENDER FLARE, 2 PASSENGER (PASSENGER SIDE).....	1
3	00414G6		HEX HEAD BOLT, 1/4" - 20 X 1/2" LG .....	4
4	00642G7		FLAT WASHER, 5/16" .....	8
5	14390G4		LOCK NUT, 1/4" - 20.....	4
6	16816G2		RATCHET RIVET, .25" X .887" .....	8
7				
8				
9				
10				
11	635690		SEAT FILLER PANEL (DRIVER SIDE).....	1
12	635691		SEAT FILLER PANEL (PASSENGER SIDE) .....	1
13	10570G10		RIVET (SS), .156" X .55" .....	8
14	646642		HITCH RECEIVER WELDMENT .....	1
15	00463G4		HEX HEAD BOLT, 7/16" - 14 X 1 1/2" LG.....	4
16	00734G1		LOCK NUT, 7/16" - 14.....	4
17	00922G3		FLAT WASHER, 7/16" .....	8
18				
19	646191		INNER REAR FENDER (DRIVER SIDE).....	1
20	646187		INNER REAR FENDER (PASSENGER SIDE).....	1
21	13437G9		FLANGED HEX HEAD BOLT, 1/4" - 20 X 3/4" LG.....	10
22	16469G1		FENDER WASHER, 1/4" .....	10
23	14390G4		LOCK NUT, 1/4" - 20.....	10

## Body Trim for 4 Passenger Vehicle



## BODY - REAR

THE USE OF NON U.L. PARTS WILL VOID ANY U.L. LISTING.

When ordering parts, please specify the model and serial number of the product.

\* Indicates a component that is not available as an individual part.

\*\*\* Indicates consult Customer Service Department for additional information.

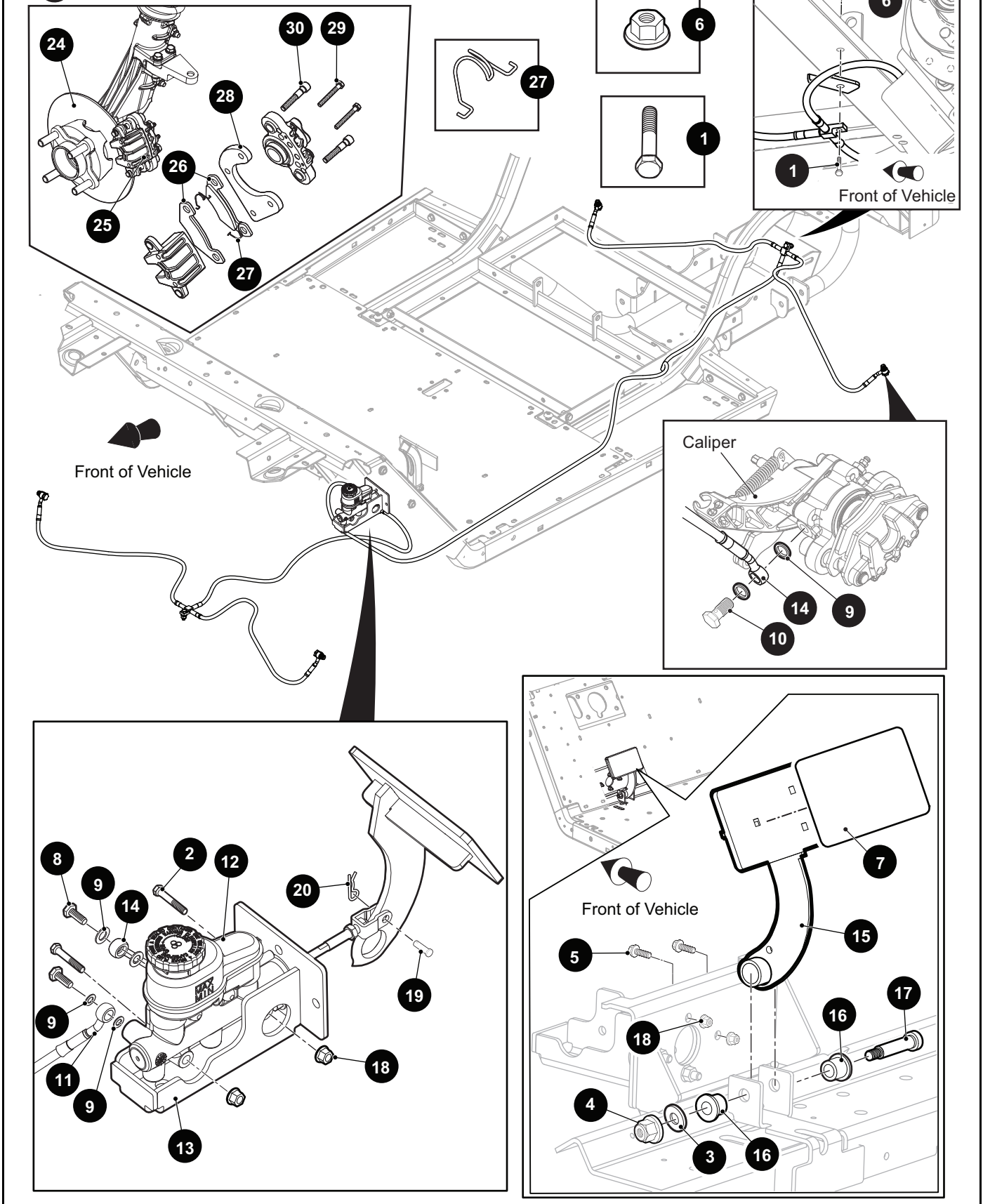
ITEM	PART NO.	1 2 3 4 5	DESCRIPTION	QTY.
1	635690		SEAT FILLER PANEL (DRIVER SIDE).....	1
2	635691		SEAT FILLER PANEL (PASSENGER SIDE) .....	1
3	10570G10		RIVET, 5/32" X 9/16" LG .....	8
4				
5	633072		REAR FENDER, 4 PASSENGER (DRIVER SIDE).....	1
6	633285		REAR FENDER, 4 PASSENGER (PASSENGER SIDE) .....	1
7	00414G6		HEX HEAD BOLT, 1/4" - 20 X 3/4" LG .....	4
8	00642G07		FLAT WASHER, 1/4".....	8
9	14390G4		LOCK NUT, 1/4" - 20.....	8
10	16816G2		RATCHET FASTENER, 1/4" X .887" LG.....	6
11				
12				
13				
14				
15				
16	303459		HEX HEAD BOLT, 1/4" - 20 X 1 1/2" LG .....	4
17	01110G01		FLAT WASHER, 1/4".....	4





# BRAKES

23 DISC BRAKE ASSEMBLY includes items 24 - 30



# BRAKES

THE USE OF NON U.L. PARTS WILL VOID ANY U.L. LISTING.

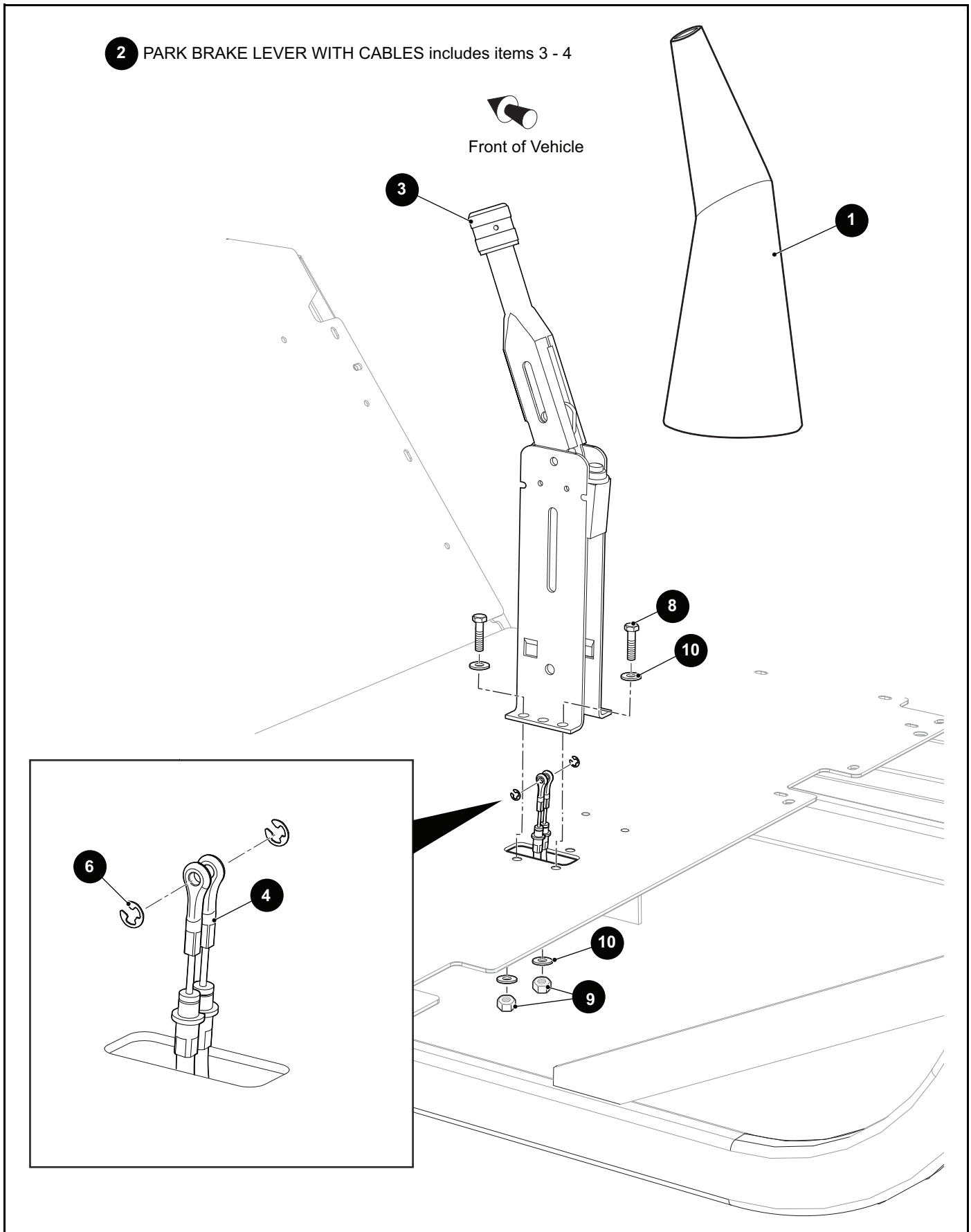
When ordering parts, please specify the model and serial number of the product.

\* Indicates a component that is not available as an individual part.

\*\*\* Indicates consult Customer Service Department for additional information.

ITEM	PART NO.	1 2 3 4 5	DESCRIPTION	QTY.
1	613231		HEX HEAD BOLT, M6 - 1 X 20" LG .....	2
2	00439G8		HEX HEAD BOLT, 5/16 - 18 X 1 1/8" LG .....	2
3	00643G1		FLAT WASHER, 3/8" .....	1
4	11098G5		LOCK NUT, 3/8" - 16 .....	1
5	13437G3		FLANGED HEX HEAD BOLT, 5/16" - 18 X 1" LG .....	4
6	601476		FLANGED LOCK NUT, M6 - 1 .....	2
7	640478		PEDAL GRIP .....	1
8	613292		BANJO BOLT, M10 - 1.25 X 20MM LG .....	2
9	613293		CRUSH WASHER, M10 .....	12
10	616459		BANJO BOLT, M10 - 1 X 20MM LG .....	4
11	626613		FRONT BRAKE LINE .....	1
12	631593		DUAL MASTER CYLINDER .....	1
13	631616		DUAL MASTER CYLINDER BRACKET .....	1
14	616455		REAR BRAKE LINE .....	1
15	641160		PEDAL WITH GRIP TAPE .....	1
16	70581G02		BUSHING, 1.062" X 1.795" X 1" LG .....	2
17	635177		SHOULDER BOLT, 3/8" - 16 X 2" LG .....	1
18	800697		LOCK NUT, 5/16" - 18 .....	6
19	10386G2		CLEVIS PIN, O.D .375" X I.D .25" X .76" LG .....	1
20	01076G01		COTTER PIN, 1.21" LG .....	1
21	12416G2		NYLON CLAMP (NOT ILLUSTRATED) .....	12
22				
23	*		DISC BRAKE ASSEMBLY (INCLUDES ITEMS 24 - 30) .....	1
24	*		DISC BRAKE ROTOR HUB .....	1
25	*		BRAKE CALIPERS .....	1
26	616450		BRAKE PADS .....	2
27	*		ANTI RATTLE SPRING .....	2
28	*		MOUNTING BRACKET .....	1
29	*		CALIPER BOLTS .....	2
30	*		SLIDER PINS .....	2

**2** PARK BRAKE LEVER WITH CABLES includes items 3 - 4





# BRAKES

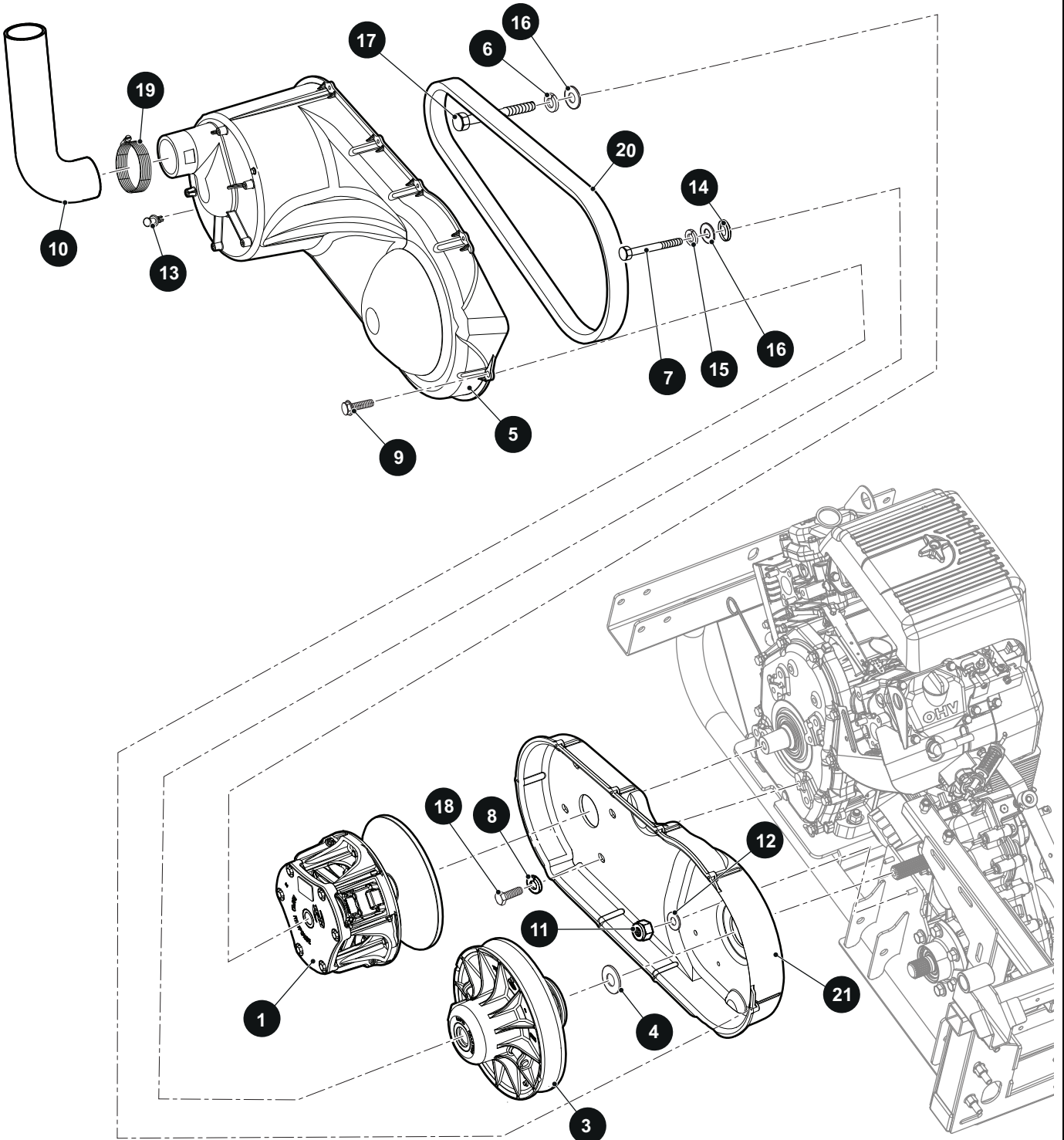
THE USE OF NON U.L. PARTS WILL VOID ANY U.L. LISTING.  
 When ordering parts, please specify the model and serial number of the product.  
 \* Indicates a component that is not available as an individual part.  
 \*\*\* Indicates consult Customer Service Department for additional information.

ITEM	PART NO.	1 2 3 4 5	DESCRIPTION	QTY.
1	627940		PARK BRAKE BOOT .....	1
2	640186		PARK BRAKE LEVER WITH CABLES (INCLUDES ITEMS 3 - 4) .....	1
3	627393		PARK BRAKE .....	1
4	633039		PARK BRAKE CABLE .....	2
5				
6	01111G01		RETAINING RING .....	2
7	31539G1		NYLON CLAMP (NOT ILLUSTRATED) .....	7
8	302288		HEX HEAD BOLT, 1/4" - 20 X 1" LG .....	4
9	14390G4		LOCK NUT, 1/4" - 20 .....	4
10	01110G01		FLAT WASHER, 1/4" .....	8





# CLUTCH



**2** SECONDARY CLUTCH ASSEMBLY includes items 3 - 4

THE USE OF NON U.L. PARTS WILL VOID ANY U.L. LISTING.

When ordering parts, please specify the model and serial number of the product.

\* Indicates a component that is not available as an individual part.

\*\*\* Indicates consult Customer Service Department for additional information.

ITEM	PART NO.	1 2 3 4 5	DESCRIPTION	QTY.
1	632612		PRIMARY CLUTCH .....	1
2	646876		SECONDARY CLUTCH ASSEMBLY (INCLUDES ITEMS 3 - 4) .....	1
3	632613		SECONDARY CLUTCH .....	1
4	633212		THRUST WASHER, 1.53" X 1.83" X .06" .....	1
5	636512		CLUTCH FRONT COVER .....	1
6	00566G2		LOCK WASHER (SPRING TYPE), 7/16" .....	1
7	629496		HEX HEAD BOLT, 5/16" - 18 X 4.50" LG .....	1
8	00560G1		FLAT WASHER, 3/8" .....	4
9	635530		TAPTITE BOLT, #10 - 32 X 11/16" LG .....	8
10	633594		CLUTCH COVER INTAKE TUBE .....	1
11	14390G4		LOCK NUT, 1/4" - 20 .....	2
12	00559G7		FLAT WASHER, 1/4" .....	2
13	633165		CLUTCH COVER DRAIN PLUG .....	1
14	606230		CLUTCH WASHER, 27.5MM .....	1
15	00565G8		LOCK WASHER, 5/16" .....	1
16	606239		CONICAL WASHER, M12 .....	2
17	629495		HEX HEAD BOLT, 7/16" - 20 X 7" LG .....	1
18	00426G8		HEX HEAD BOLT, 3/8" - 16 X 3/4" LG .....	4
19	11391G2		HOSE CLAMP, 2.06" .....	1
20	631808		CVT BELT .....	1
21	636513		CLUTCH BACK COVER .....	1

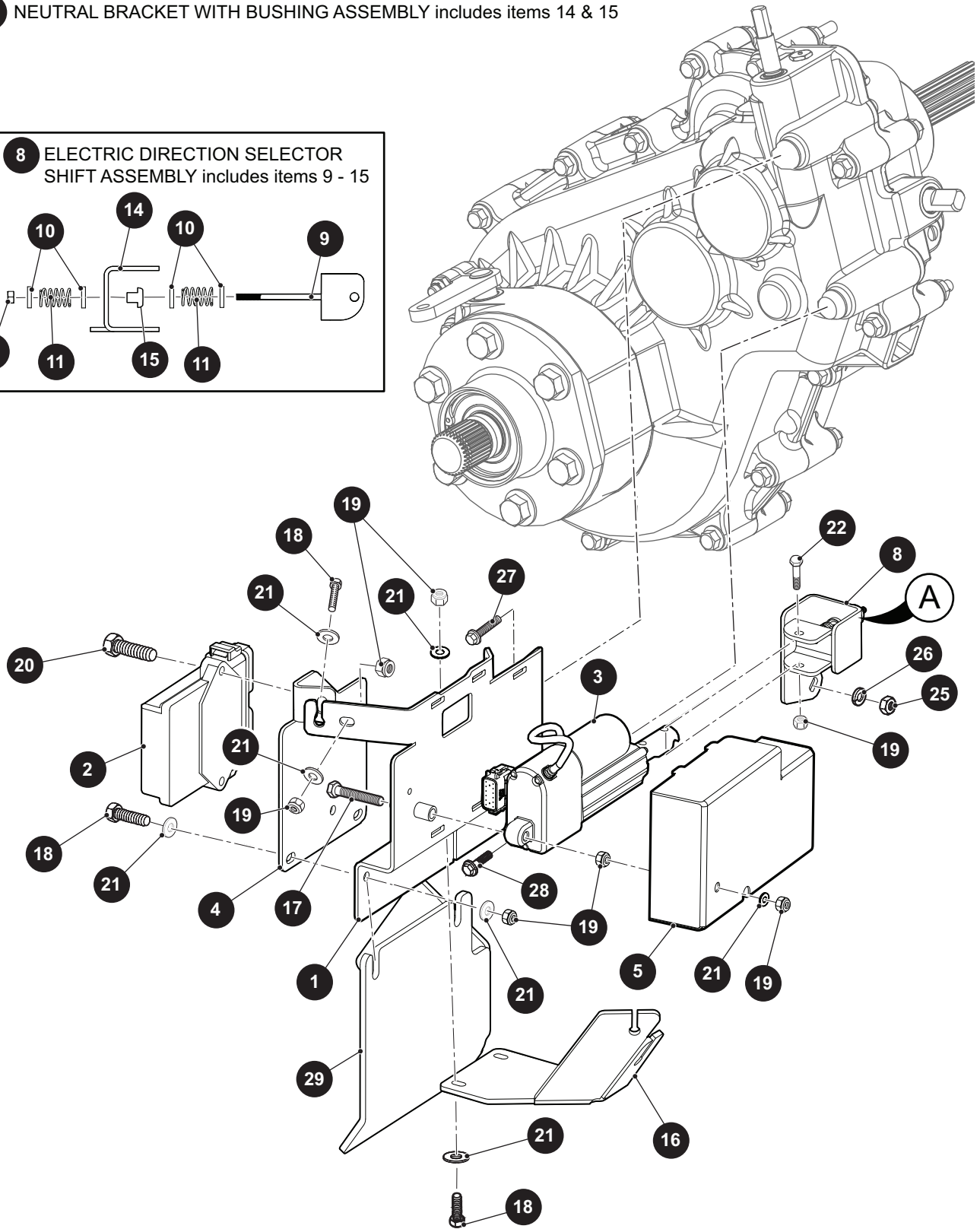
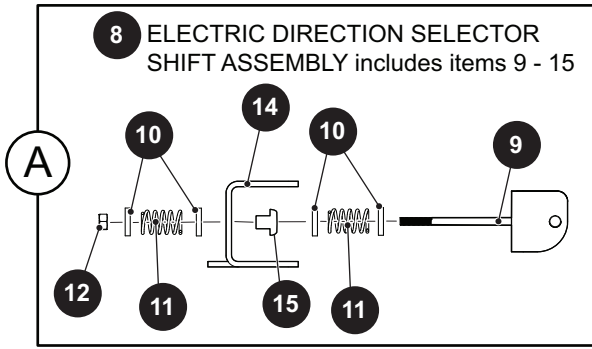




# DIRECTION SELECTOR

**13** NEUTRAL BRACKET WITH BUSHING ASSEMBLY includes items 14 & 15

**8** ELECTRIC DIRECTION SELECTOR  
SHIFT ASSEMBLY includes items 9 - 15





# DIRECTION SELECTOR

THE USE OF NON U.L. PARTS WILL VOID ANY U.L. LISTING.

When ordering parts, please specify the model and serial number of the product.

\* Indicates a component that is not available as an individual part.

\*\*\* Indicates consult Customer Service Department for additional information.

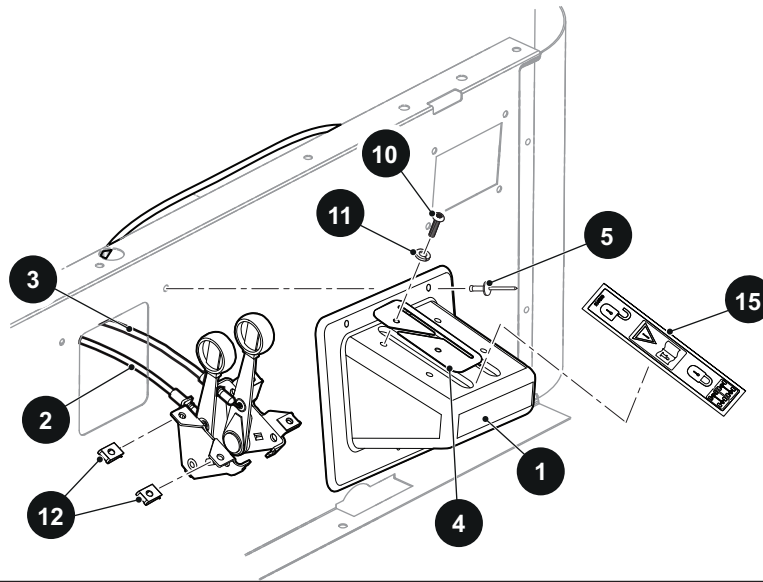
ITEM	PART NO.	1 2 3 4 5	DESCRIPTION	QTY.
1	635401		ACTUATOR MOUNTING PLATE .....	1
2	632212		TRANSMISSION CONTROL MODULE .....	1
3	633577		POT SENSOR ACTUATOR, 24V .....	1
4	635390		MOUNTING BRACKET.....	1
5	649417		ACTUATOR COVER.....	1
6				
7				
8	636076		ELECTRIC SHIFT DIRECTION SELECTOR ASSEMBLY (INCLUDES ITEMS 9 - 15) .....	1
9	633258		DIRECTION SELECTOR CLEVIS ROD WELDMENT .....	1
10	25727G01		CUP WASHER, .68" O.D. X .26" I.D. ....	4
11	636045		COMPRESSION SPRING .....	2
12	00734G5		LOCK NUT, #10 - 32.....	1
13	633009		NEUTRAL BRACKET WITH BUSHING ASSEMBLY (INCLUDES ITEMS 14 & 15).....	1
14	635341		DIRECTION SELECTOR BRACKET .....	1
15	22754G5		FLIP - LOCK BUSHING, .250" .....	1
16	635389		ACCELERATOR CABLE BRACKET .....	1
17	630419		HEX HEAD BOLT, 1/4" - 20 X 3" LG .....	1
18	00414G7		HEX HEAD BOLT, 1/4" - 20 X 1/2" LG .....	5
19	14390G4		LOCK NUT, 1/4" - 20 .....	12
20	00415G2		HEX HEAD BOLT, 1/4" - 20 X 1 1/4" LG .....	4
21	00559G7		FLAT WASHER, 1/4".....	15
22	00415G6		HEX HEAD BOLT, 1/4" - 20 X 1 1/4" LG .....	1
23				
24				
25	01069G02		JAM NUT, M12 X 1.25.....	1
26	00566G3		LOCK WASHER, #6.....	1
27	635794		FLANGED HEX HEAD BOLT, 3/8" - 16 X 1" LG .....	1
28	635795		FLANGED HEX HEAD BOLT, 3/8" - 16 X 3/4" LG .....	1
29	635942		DIRECTION SELECTOR SUPPORT BRACKET.....	1



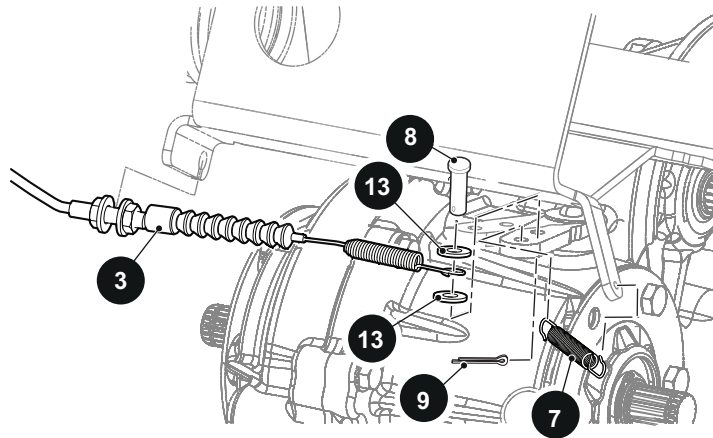


# DIFFERENTIAL LOCK

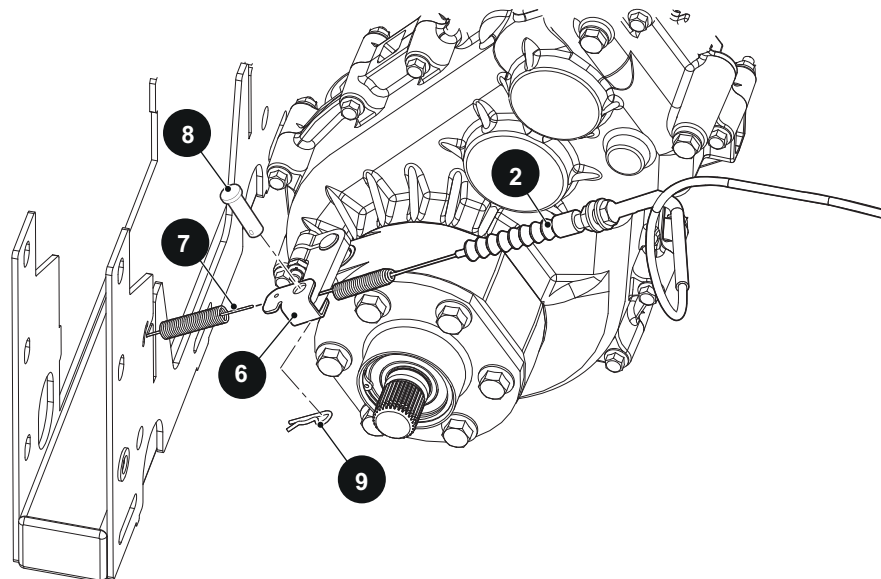
Differential Lock Pod



Front Cable Details



Rear Cable Details



# DIFFERENTIAL LOCK

THE USE OF NON U.L. PARTS WILL VOID ANY U.L. LISTING.

When ordering parts, please specify the model and serial number of the product.

\* Indicates a component that is not available as an individual part.

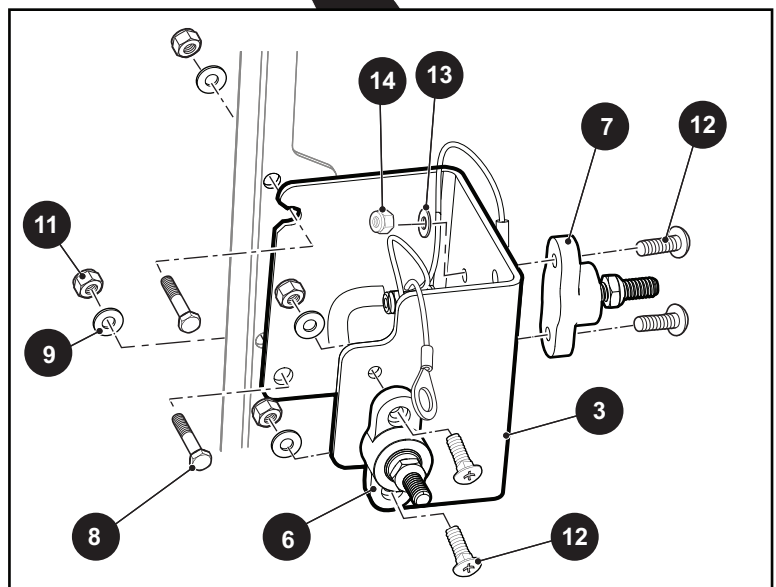
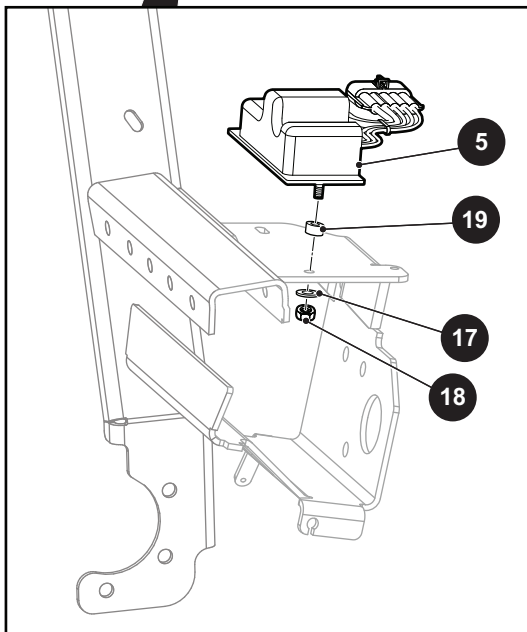
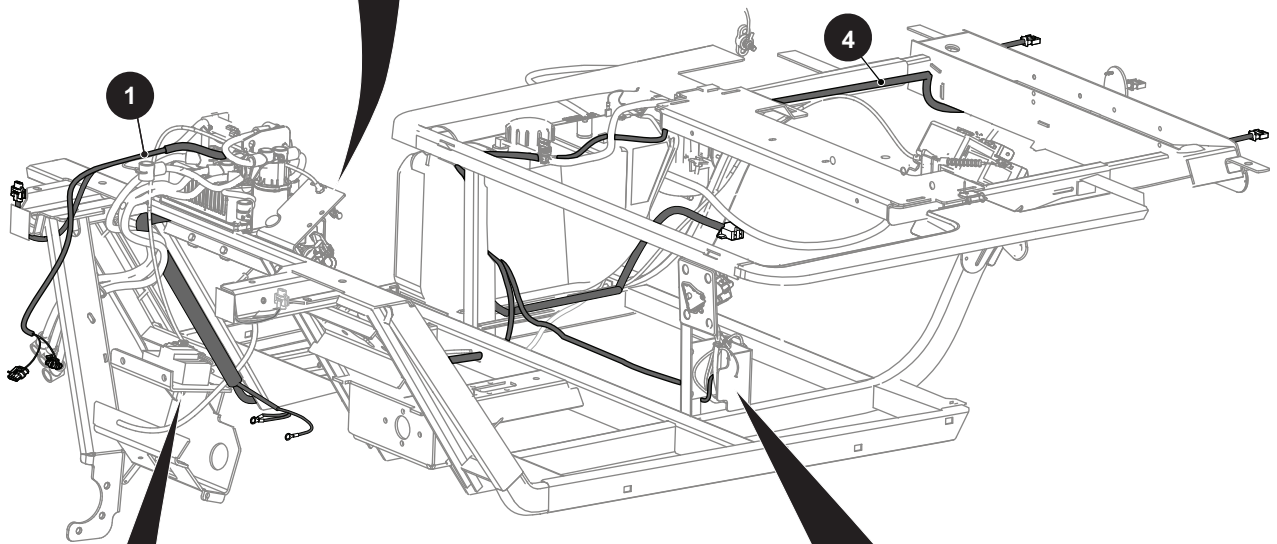
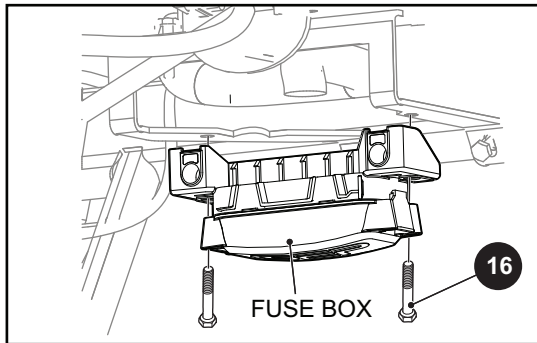
\*\*\* Indicates consult Customer Service Department for additional information.

ITEM	PART NO.	1 2 3 4 5	DESCRIPTION	QTY.
1	632886		DIFFERENTIAL LOCK POD .....	1
2	633163		REAR DIFFERENTIAL LOCK CABLE .....	1
3	633164		FRONT DIFFERENTIAL LOCK CABLE .....	1
4	75697G01		DIFFERENTIAL LOCK TRIM PLATE .....	2
5	71055G01		RIVET, 3/16" DIA.....	3
6	633536		DIFFERENTIAL LOCKING CLEVIS.....	1
7	635011		GOVERNOR EXTENSION SPRING.....	2
8	10386G2		CLEVIS PIN, .76" LG .....	2
9	01076G01		COTTER PIN, 1.21" LG .....	2
10	18464G1		PAN HEAD PHILLIPS SCREW, #8 - 18 X 1" LG .....	4
11	00565G4		LOCK WASHER, #8.....	4
12	635982		SPEED NUT (U TYPE), #8 .....	4
13	01110G01		FLAT WASHER, 1/4" .....	2
14	31539G1		NYLON CLAMP (NOT ILLUSTRATED) .....	5
15	633615		DIFFERENTIAL LOCK LABEL.....	1





# ELECTRICAL SYSTEM





# ELECTRICAL SYSTEM

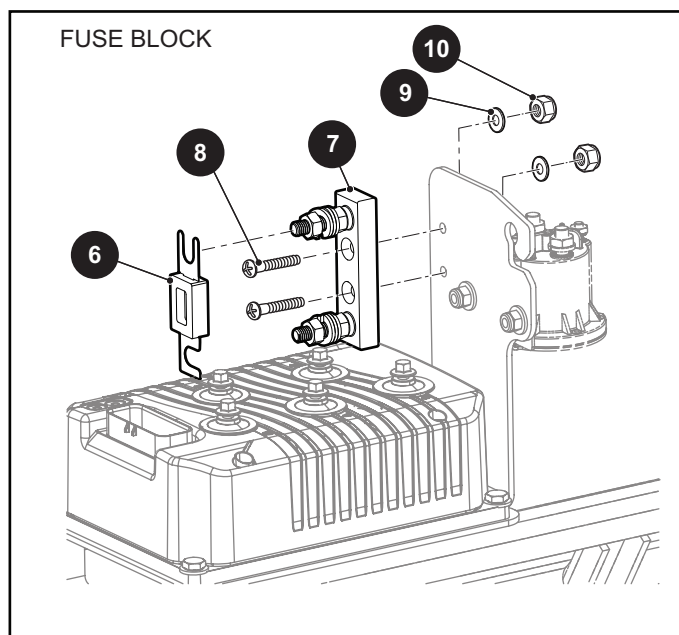
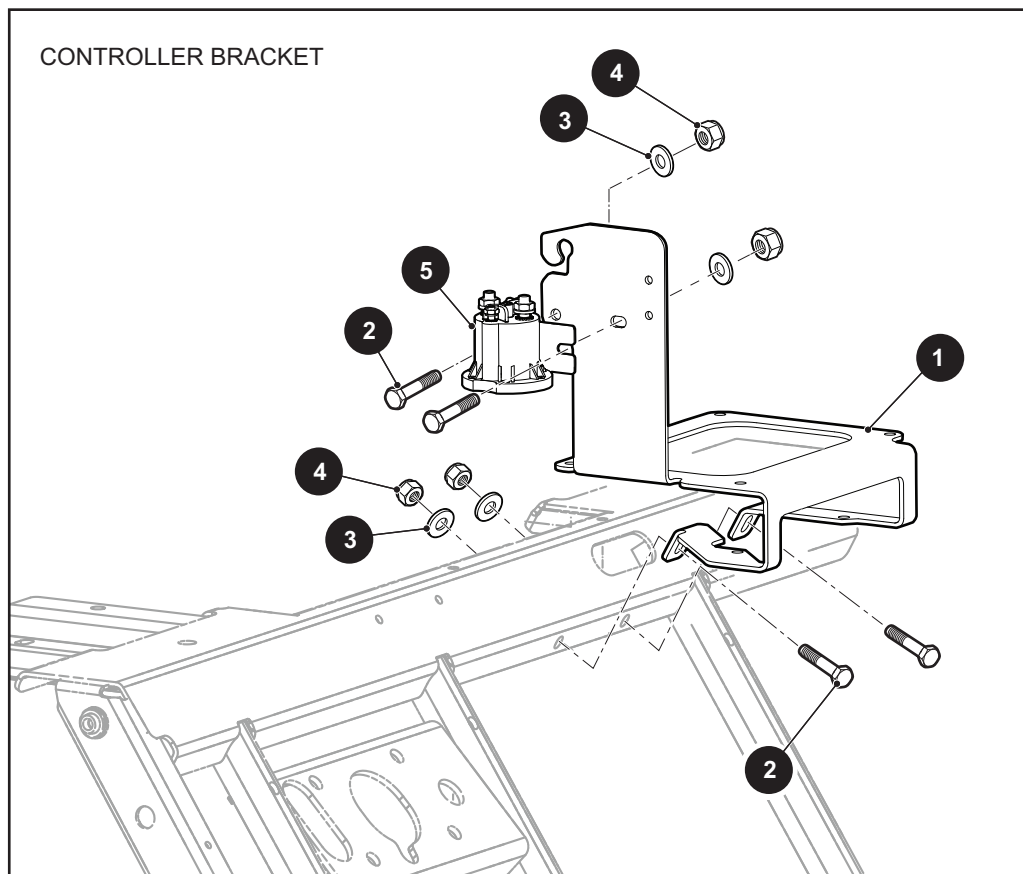
THE USE OF NON U.L. PARTS WILL VOID ANY U.L. LISTING.

When ordering parts, please specify the model and serial number of the product.

\* Indicates a component that is not available as an individual part.

\*\*\* Indicates consult Customer Service Department for additional information.

ITEM	PART NO.	1 2 3 4 5	DESCRIPTION	QTY.
1	644891		MAIN HARNESS.....	1
2				
3	632866		TERMINAL STUD BRACKET .....	1
4	637110		GAS POWERTRAIN HARNESS.....	1
5	632683		DC-DC CONVERTER, 48V, 30A.....	1
6	633235G01		JUNCTION BLOCK STUD (BLACK), 5/16" .....	1
7	633235G02		JUNCTION BLOCK STUD (RED), 5/16" .....	1
8	00414G6		HEX HEAD BOLT, 1/4" - 20 X 3/4" LG .....	2
9	01110G01		FLAT WASHER, 1/4" .....	2
10				
11	14390G4		LOCK NUT, 1/4" - 20 .....	2
12	306527		PAN HEAD SCREW, #10 - 24 X 3/4" LG .....	4
13	00660G5		FLAT WASHER, #10 .....	4
14	14390G10		LOCK NUT, #10 - 24 .....	4
15	31539G1		NYLON CLAMP (NOT ILLUSTRATED) .....	17
16	12547G4		HEX HEAD BOLT, M6 - 1 X 30MM LG.....	2
17	*		FLAT WASHER, 1/4" .....	2
18	*		LOCK NUT, 1/4" - 20 .....	2
19	23726G11		SPACER, .30" LG .....	2

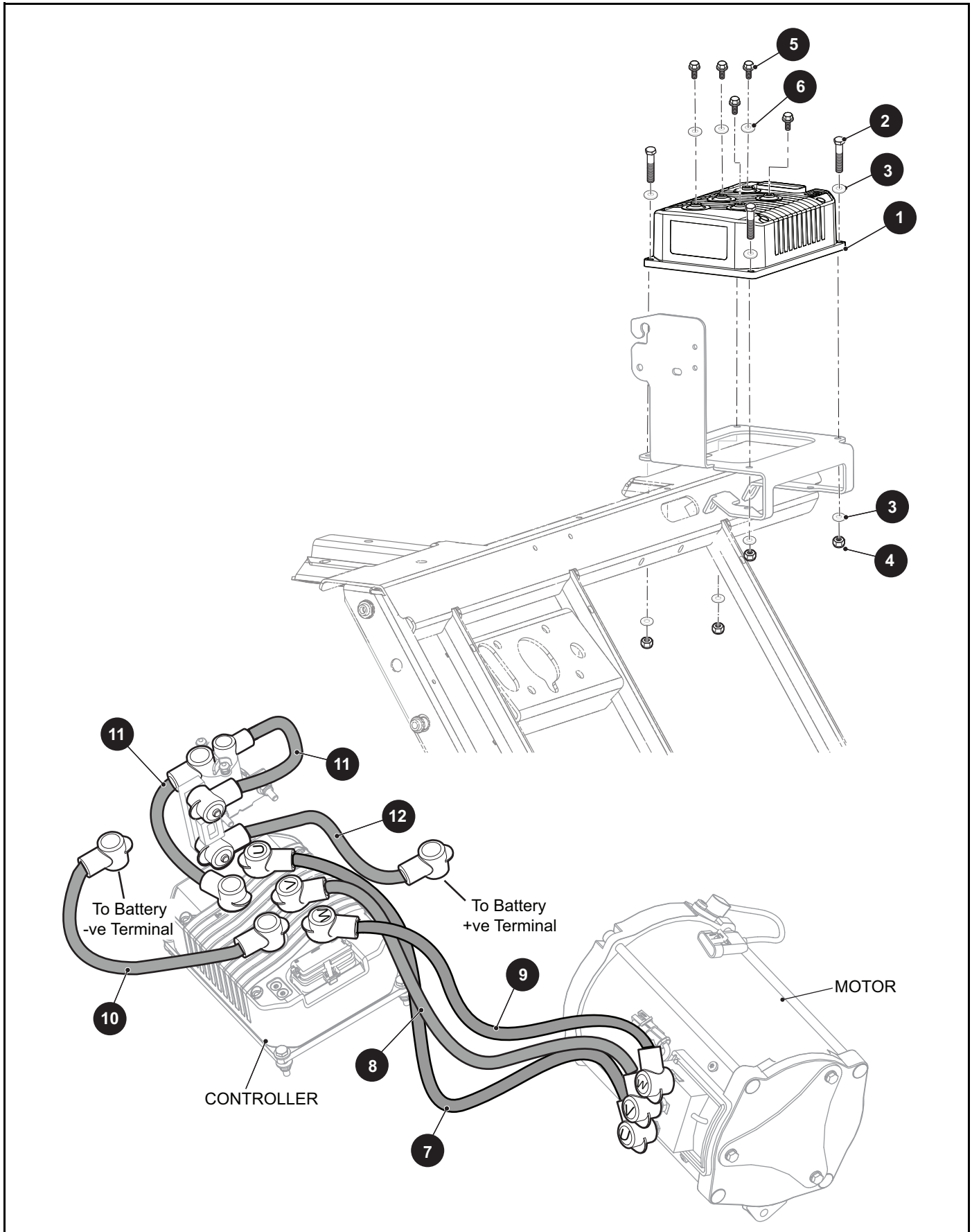


# ELECTRICAL SYSTEM

THE USE OF NON U.L. PARTS WILL VOID ANY U.L. LISTING.  
 When ordering parts, please specify the model and serial number of the product.  
 \* Indicates a component that is not available as an individual part.  
 \*\*\* Indicates consult Customer Service Department for additional information.

ITEM	PART NO.	1 2 3 4 5	DESCRIPTION	QTY.
1	632676		POWER ELECTRONICS BRACKET .....	1
2	00661G8		HEX HEAD BOLT (SS), 1/4" - 20 X 1" LG .....	4
3	01110G01		FLAT WASHER, 1/4" .....	4
4	14390G4		LOCK NUT, 1/4" - 20 .....	4
5	612711		SOLENOID, 48V .....	1
6	626864		FUSE.....	1
7	628113		FUSE HOLDER.....	1
8	00379G2		PAN HEAD PHILLIPS SCREW, #10 - 24 X 1 1/4" LG .....	2
9	00559G5		FLAT WASHER, #5 .....	2
10	14390G10		LOCK NUT, #10 - 24 .....	2

# ELECTRICAL SYSTEM



# ELECTRICAL SYSTEM

THE USE OF NON U.L. PARTS WILL VOID ANY U.L. LISTING.

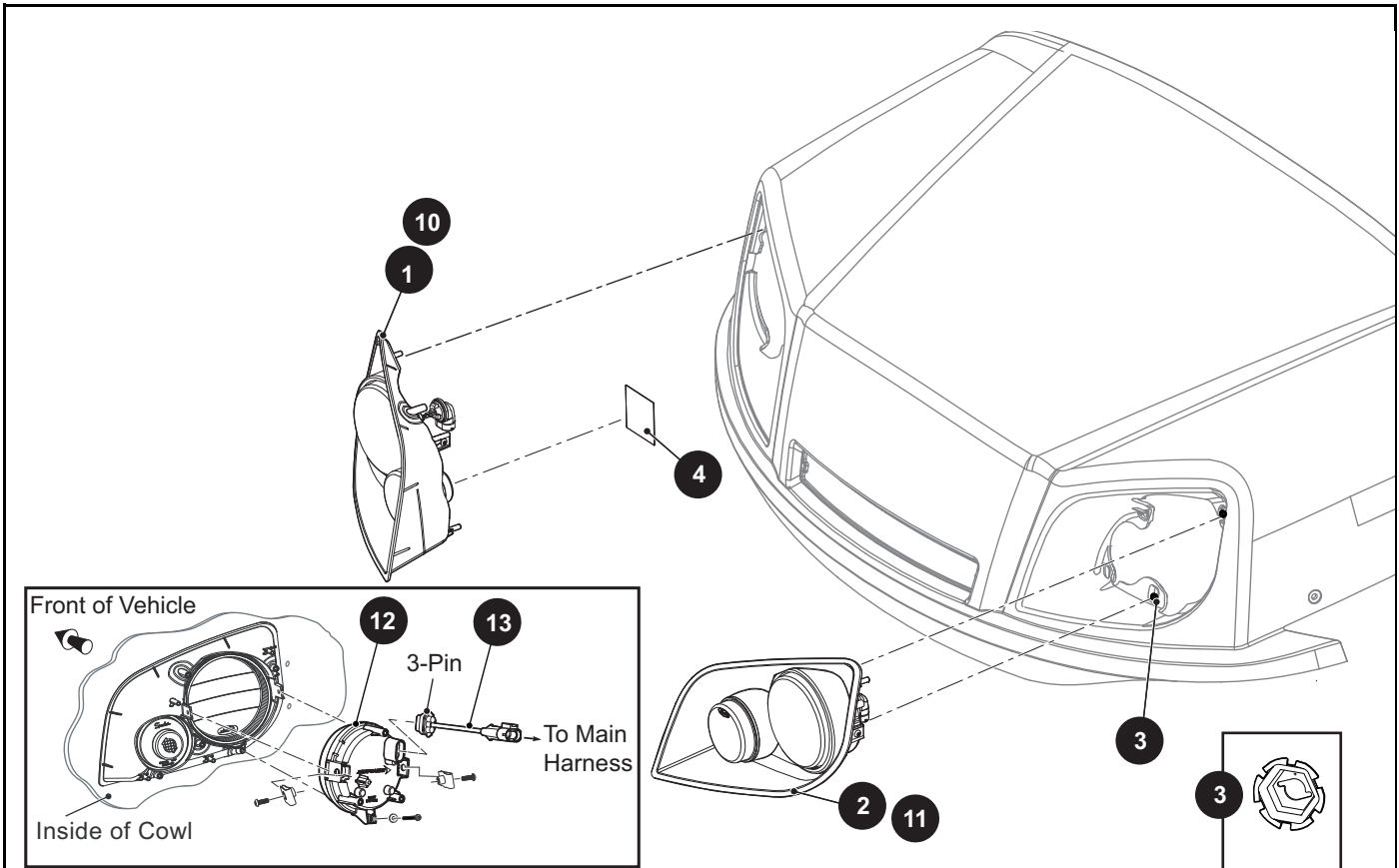
When ordering parts, please specify the model and serial number of the product.

\* Indicates a component that is not available as an individual part.

\*\*\* Indicates consult Customer Service Department for additional information.

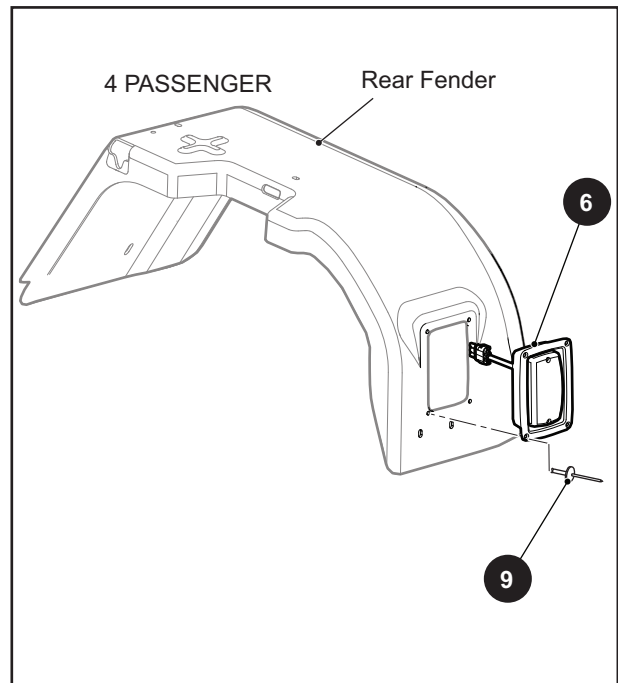
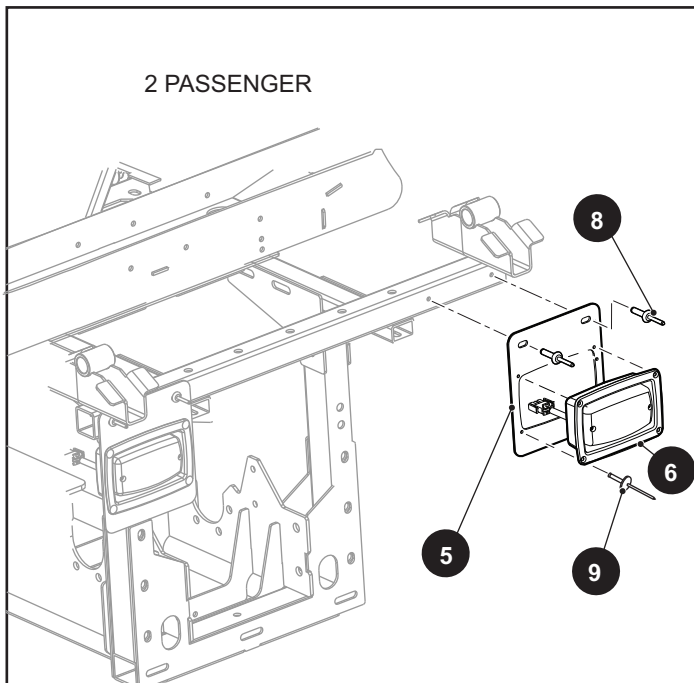
ITEM	PART NO.	1 2 3 4 5	DESCRIPTION	QTY.
1	632556		CONTROLLER, 48V .....	1
2	00415G2		HEX HEAD BOLT, 1/4" - 20 X 1 1/4" LG .....	4
3	01110G01		FLAT WASHER, 1/4" .....	8
4	14390G4		LOCK NUT, 1/4" - 20 .....	4
5	73876G01		FLANGED HEX HEAD BOLT, M6 - 1 X 12MM LG.....	5
6	00642G7		FLAT WASHER, 5/16" .....	3
7	628668		REAR MOTOR WIRE (U) .....	1
8	628665		REAR MOTOR WIRE (V).....	1
9	628667		REAR MOTOR WIRE (W).....	1
10	634717		WIRE, 2 AWG, 16" LG .....	1
11	634716		WIRE, 2 AWG, 7" LG .....	2
12	634718		WIRE, 2 AWG, 10" LG .....	1

# ELECTRICAL SYSTEM



**10** LED HEADLIGHT ASSEMBLY (PASSENGER SIDE) includes item 12

**11** LED HEADLIGHT ASSEMBLY (DRIVER SIDE) includes item 12



# ELECTRICAL SYSTEM

THE USE OF NON U.L. PARTS WILL VOID ANY U.L. LISTING.

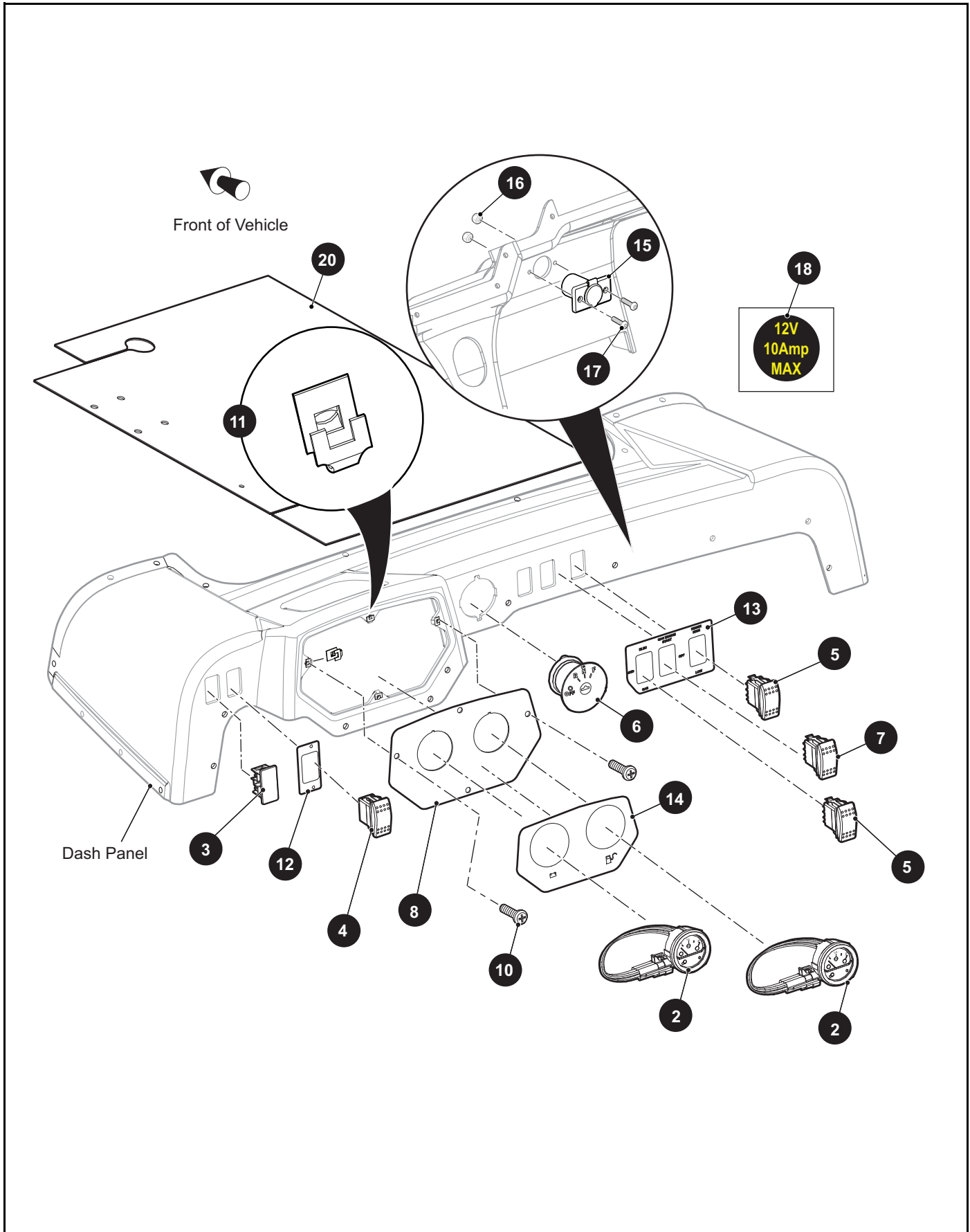
When ordering parts, please specify the model and serial number of the product.

\* Indicates a component that is not available as an individual part.

\*\*\* Indicates consult Customer Service Department for additional information.

ITEM	PART NO.	1 2 3 4 5	DESCRIPTION	QTY.
1	614497		HEADLIGHT ASSEMBLY (PASSENGER SIDE).....	1
2	614501		HEADLIGHT ASSEMBLY (DRIVER SIDE) .....	1
3	71597G01		SELF THREADING NUT, 5MM X 10MM X 15MM .....	8
4	71781G02		VINYL TAPE.....	2
5	640586		TAILLIGHT BRACKET .....	2
6	629148		TAILLIGHT .....	2
7				
8	01057G01		RIVET, 1/4".....	4
9	71055G01		RIVET, 3/16".....	8
10	659008		LED HEADLIGHT ASSEMBLY (PASSENGER SIDE) (INCLUDES ITEM 12).	1
11	659009		LED HEADLIGHT ASSEMBLY (DRIVER SIDE) (INCLUDES ITEM 12) .....	1
12	651411G03		LED HEADLIGHT .....	1
13	654465		JUMPER HARNESS, LED HEADLIGHT .....	2
14	619100		HEADLIGHT REPLACEMENT BULB (NOT ILLUSTRATED) .....	2

# ELECTRICAL SYSTEM





# ELECTRICAL SYSTEM

THE USE OF NON U.L. PARTS WILL VOID ANY U.L. LISTING.

When ordering parts, please specify the model and serial number of the product.

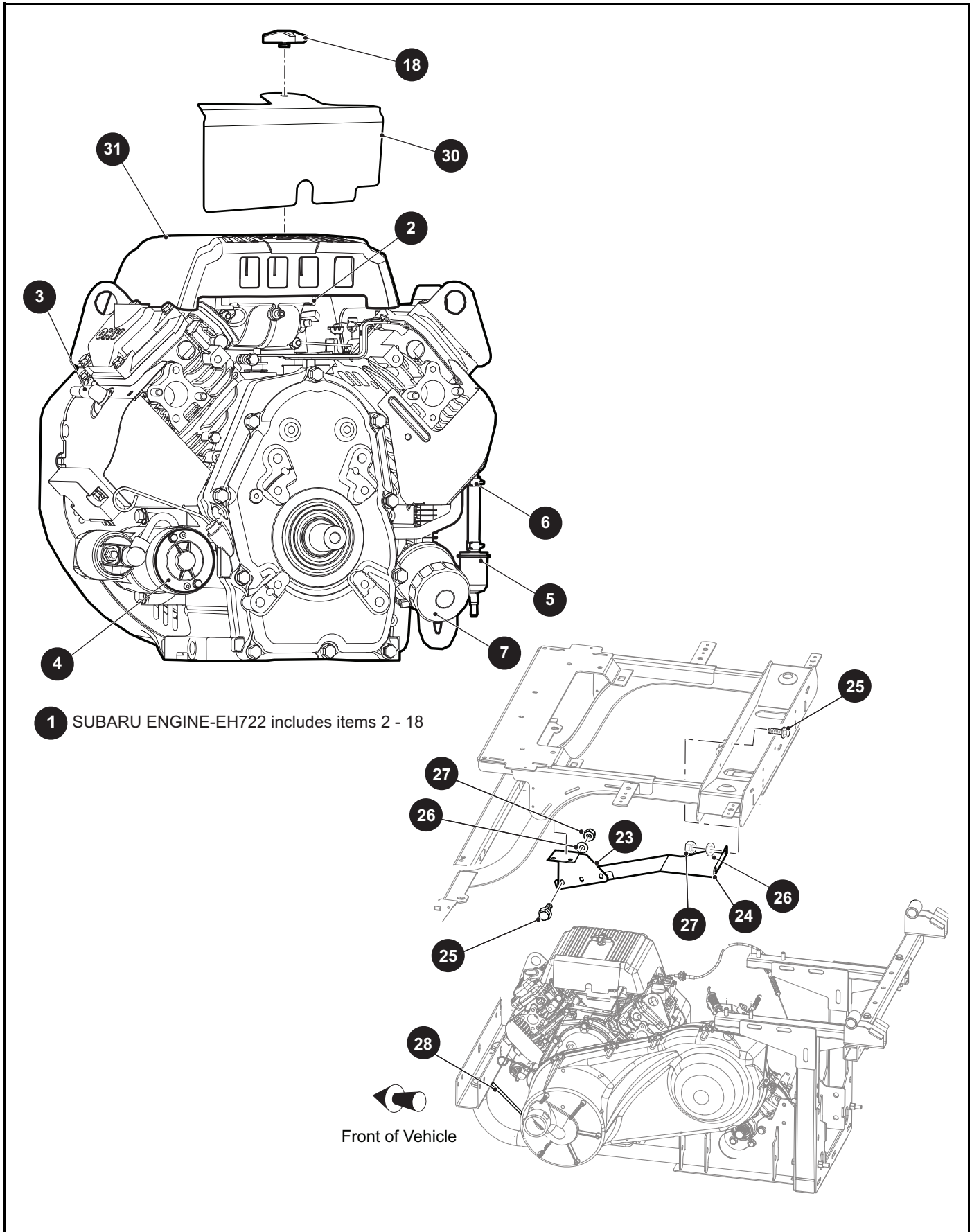
\* Indicates a component that is not available as an individual part.

\*\*\* Indicates consult Customer Service Department for additional information.

ITEM	PART NO.	1 2 3 4 5	DESCRIPTION	QTY.
1				
2	631656		FUEL AND SOC METER .....	2
3	627035		PLUG PANEL.....	1
4	628931		2 POSITION SWITCH.....	1
5	626658		3 POSITION SWITCH.....	2
6	609692		KEY SET AND KEY SWITCH .....	1
7	626659		2 POSITION SWITCH.....	1
8	638063G02		CONTROL COVER.....	1
9				
10	608290		SELF TAPPING SCREW, #10 - 16 X .780" LG.....	4
11	71364G03		"J" TYPE SPEED NUT, #8 .....	4
12	632907		CONTROL PANEL LIGHT SWITCH LABEL .....	1
13	632916		CONTROL PANEL REGEN MODE SWITCH LABEL .....	1
14	632918		CONTROL PANEL GAS ELECTRIC METER LABEL .....	1
15	71078G01		12V POWER OUTLET .....	1
16	602053		LOCK NUT, M4 - .7 .....	2
17	600543		BUTTON HEAD TORX BOLT, M4 - .75 X 12MM LG .....	2
18	637067		12V OUTLET LABEL.....	1
19				
20	629619		ELECTRONICS SHIELD.....	1







THE USE OF NON U.L. PARTS WILL VOID ANY U.L. LISTING.

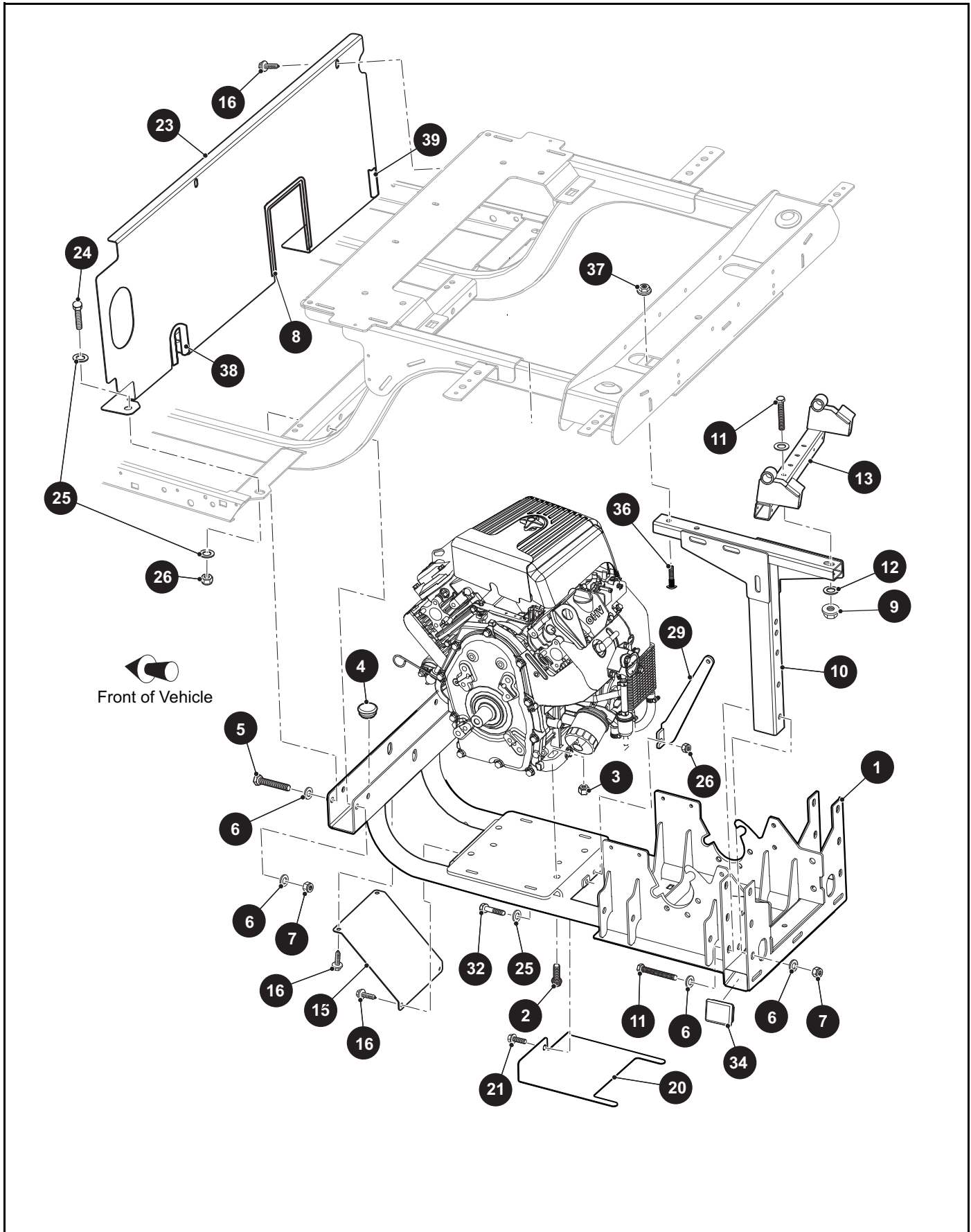
When ordering parts, please specify the model and serial number of the product.

\* Indicates a component that is not available as an individual part.

\*\*\* Indicates consult Customer Service Department for additional information.

ITEM	PART NO.	1 2 3 4 5	DESCRIPTION	QTY.
1	638596		SUBARU ENGINE-EH722 (INCLUDES ITEMS 2 - 18) .....	1
2	635771		AIR INTAKE FILTER.....	1
3	637260		SPARK PLUG .....	2
4	635779		STARTING MOTOR .....	1
5	635772		FUEL FILTER .....	1
6	635773		FUEL PUMP ASSEMBLY .....	1
7	635774		OIL FILTER.....	1
8	635775		OL FILLER CAP (NOT ILLUSTRATED) .....	1
9	637254		IGNITION COIL (NOT ILLUSTRATED) .....	2
10	635762		MAIN BEARING COVER GASKET (NOT ILLUSTRATED).....	1
11	635763		CYLINDER HEAD GASKET 1 (NOT ILLUSTRATED).....	1
12	635764		CYLINDER HEAD GASKET 2 (NOT ILLUSTRATED).....	1
13	635765		ROCKER COVER GASKET (NOT ILLUSTRATED).....	2
14	635767		IN/EXHAUST CLEANER GASKET (NOT ILLUSTRATED).....	1
15	635768		IN/EXHAUST ADAPTER GASKET (NOT ILLUSTRATED).....	1
16	635769		IN/EXHAUST CARBURETOR GASKET (NOT ILLUSTRATED) .....	1
17	635770		INTAKE MANIFOLD GASKET (NOT ILLUSTRATED).....	2
18	637199		WING NUT .....	1
19				
20				
21				
22	00559G8		FLAT WASHER, 5/16" (NOT ILLUSTRATED).....	1
23	635411		HEAT SHIELD BRACKET .....	1
24	635136		HEAT SHIELD .....	1
25	13437G9		FLANGED HEX HEAD BOLT, 1/4" - 20 X 3/4" LG .....	4
26	00559G7		FLAT WASHER, 1/4" .....	4
27	14390G4		LOCK NUT, 1/4" - 20 .....	4
28	635601		6 AWG WIRE, 18" .....	1
29	653491		GROMMET (AIR INTAKE) (NOT ILLUSTRATED) .....	2
30	652481		AIR FILTER SPLASH COVER .....	1
31	645875		AIR FILTER COVER .....	1

# ENGINE



THE USE OF NON U.L. PARTS WILL VOID ANY U.L. LISTING.

When ordering parts, please specify the model and serial number of the product.

\* Indicates a component that is not available as an individual part.

\*\*\* Indicates consult Customer Service Department for additional information.

ITEM	PART NO.	1 2 3 4 5	DESCRIPTION	QTY.
1	644792		FRAME (GAS POWERTRAIN) .....	1
2	603800		HEX HEAD BOLT, M10 - 1.5 X 50MM LG.....	4
3	600525		LOCK NUT, M10 - 1.5 .....	4
4	628915		TUBE PLUG (PLASTIC), 1.5" O.D. ....	2
5	00428G8		HEX HEAD BOLT, 3/8" - 16 X 2 1/4" LG .....	4
6	00560G1		FLAT WASHER, 3/8" .....	14
7	11098G5		LOCK NUT, 3/8" - 16 .....	6
8	645169G2		FAST SPRING TRIM.....	1
9	12262G1		FLANGED LOCK NUT, 3/8" - 16.....	2
10	632160		REAR POWERTRAIN SUPPORT WELDMENT .....	2
11	00665G9		HEX HEAD BOLT (SS), 3/8" - 16 X 1" LG .....	4
12	15121G1		FLAT WASHER, 3/8" .....	2
13	637334		BED PIVOT WELDMENT .....	1
14				
15	634680		STARTER GUARD.....	1
16	00715G2		FLANGED HEX HEAD BOLT, 5/16" - 18 X 4/5" LG .....	6
17				
18				
19				
20	634687		OIL ACCESS PANEL .....	1
21	548604		FLANGED HEX HEAD BOLT, 5/16" - 18 X 3/4" LG .....	1
22				
23	650045		BATTERY HEAT SHIELD.....	1
24	00462G7		HEX HEAD BOLT, 7/16" - 14 X .88" LG .....	1
25	00922G3		FLAT WASHER, 7/16".....	4
26	00734G1		LOCK NUT, 7/16" - 14.....	3
27				
28				
29	635783		ANTI-ROTATION WELDMENT .....	1
30				
31				

# ENGINE

THE USE OF NON U.L. PARTS WILL VOID ANY U.L. LISTING.

When ordering parts, please specify the model and serial number of the product.

\* Indicates a component that is not available as an individual part.

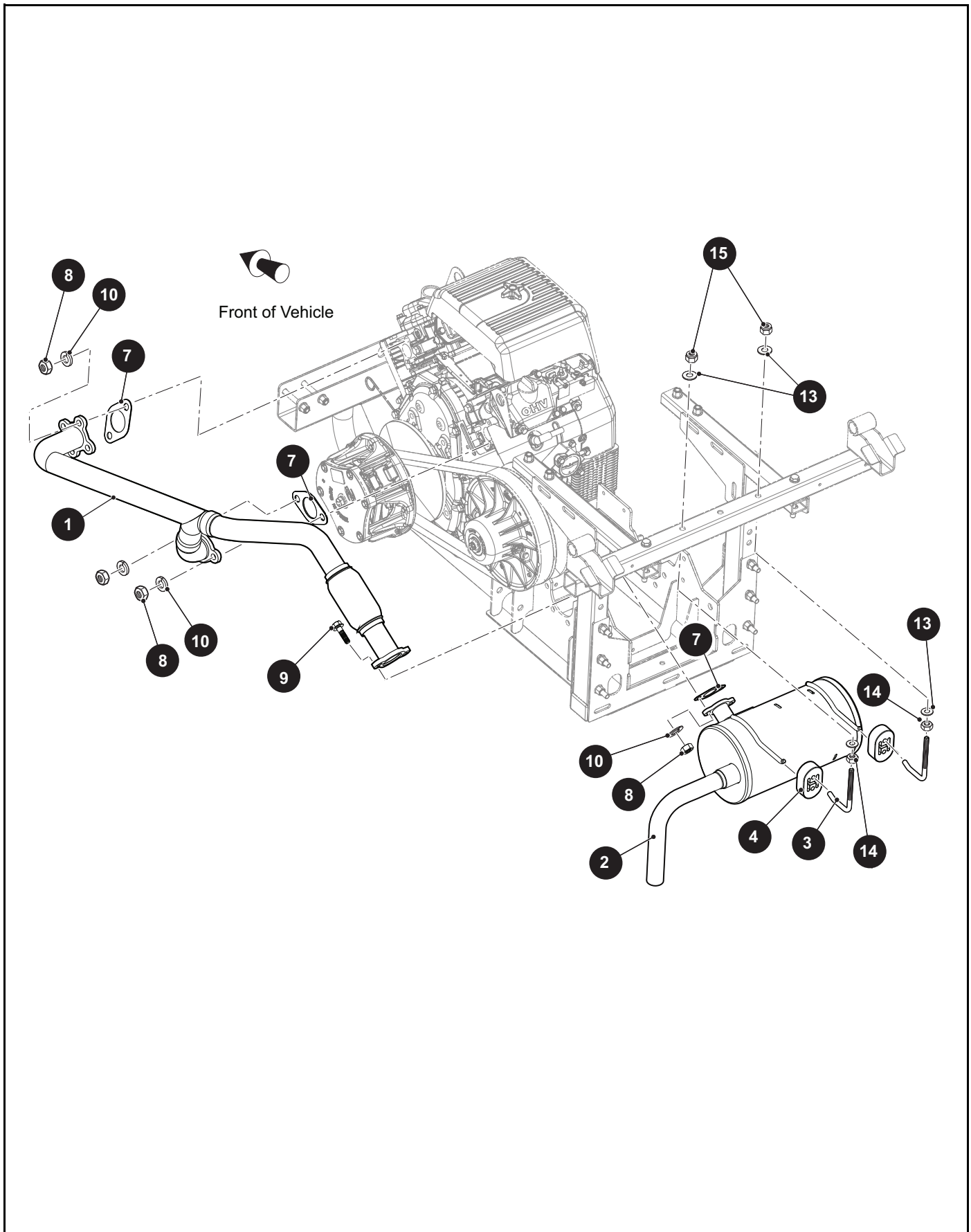
\*\*\* Indicates consult Customer Service Department for additional information.

ITEM	PART NO.	1 2 3 4 5	DESCRIPTION	QTY.
32	00463G4		HEX HEAD BOLT, 7/16" - 14 X 1.5" LG.....	2
33				
34	634762		TUBING PLUG, 1.5" X 2" .....	2
35				
36	635176		RIB NECK BOLT, 3/8" - 16 X 1 3/4" LG .....	4
37	12262G1		FLANGED LOCK NUT, 3/8" - 16 .....	4
38	32372G6		TRIM (VINYL), 6.25" LG .....	1
39	635932		TRIM (BLACK), 2" LG.....	1
40	644890		STARTER 6 AWG WIRE (NOT ILLUSTRATED) .....	1
41	639886		THROTTLE EXTENSION SPRING (NOT ILLUSTRATED).....	1
42	640359		SIDE TERM ADAPTOR (POSITIVE & NEGATIVE) (NOT ILLUSTRATED).....	1
43				
44	640488		SIDE TERM BATTERY BOLT (NOT ILLUSTRATED).....	1
45	644892		4 AWG WIRE ASSEMBLY (NOT ILLUSTRATED).....	1





# ENGINE MUFFLER



# ENGINE MUFFLER

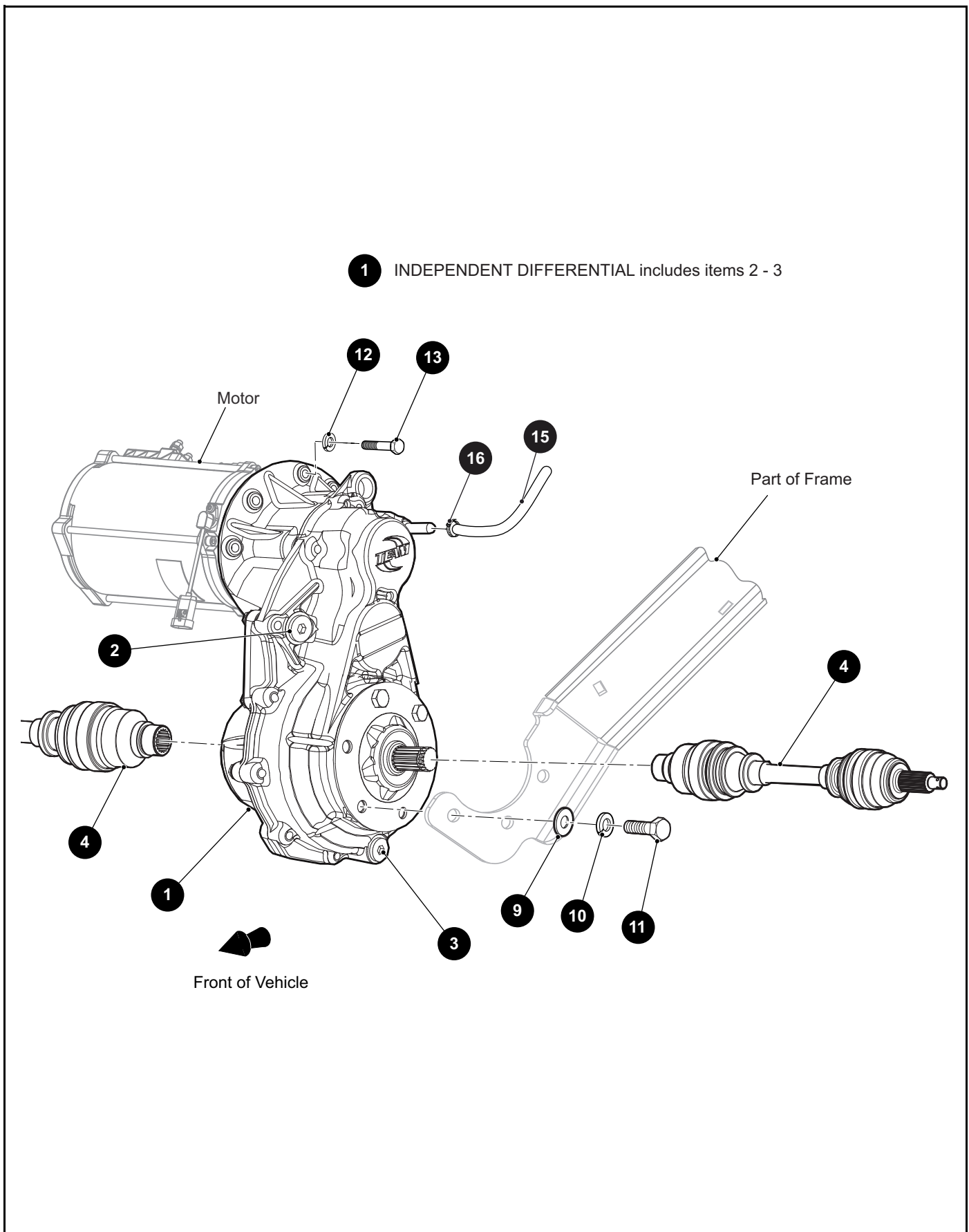
THE USE OF NON U.L. PARTS WILL VOID ANY U.L. LISTING.  
 When ordering parts, please specify the model and serial number of the product.  
 \* Indicates a component that is not available as an individual part.  
 \*\*\* Indicates consult Customer Service Department for additional information.

ITEM	PART NO.	1 2 3 4 5	DESCRIPTION	QTY.
1	637546		EXHAUST MANIFOLD.....	1
2	632218		28 HP SUBARU MUFFLER .....	1
3	632666		MUFFLER HANGER.....	2
4	615848		MUFFLER ISOLATION MOUNT .....	2
5				
6				
7	633613		GASKET.....	3
8	606267		HEX JAM NUT, M8 - 1.25 .....	6
9	602330		FLANGED HEX HEAD BOLT, M8 - 1.25 X 30MM LG.....	2
10	606272		LOCK WASHER, 8MM.....	6
11				
12				
13	00559G8		FLAT WASHER, 5/16".....	4
14	00544G3		HEX JAM NUT, 5/16" - 18 .....	2
15	11098G6		LOCK NUT, 5/16" - 18.....	2





# FRONT AXLE



# FRONT AXLE

THE USE OF NON U.L. PARTS WILL VOID ANY U.L. LISTING.  
 When ordering parts, please specify the model and serial number of the product.  
 \* Indicates a component that is not available as an individual part.  
 \*\*\* Indicates consult Customer Service Department for additional information.

ITEM	PART NO.	1 2 3 4 5	DESCRIPTION	QTY.
1	631489G02		INDEPENDENT DIFFERENTIAL (INCLUDES ITEMS 2 - 3) .....	1
2	*		OIL FILL PLUG .....	1
3	*		OIL DRAIN PLUG .....	1
4	653033		AXLE ASSEMBLY .....	2
5				
6				
7				
8				
9	00571G3		FLAT WASHER, 3/8" .....	8
10	608654		LOCK WASHER, 10MM.....	8
11	306835		HEX HEAD BOLT, 3/8" - 16 X 1 1/4" LG .....	8
12	601327		LOCK WASHER, 6MM.....	6
13	605741		HEX HEAD BOLT, M6 - 1 X 25MM LG.....	6
14				
15	616705		BREATHER HOSE.....	1
16	11391G4		HOSE CLAMP, DIA .25" .....	1

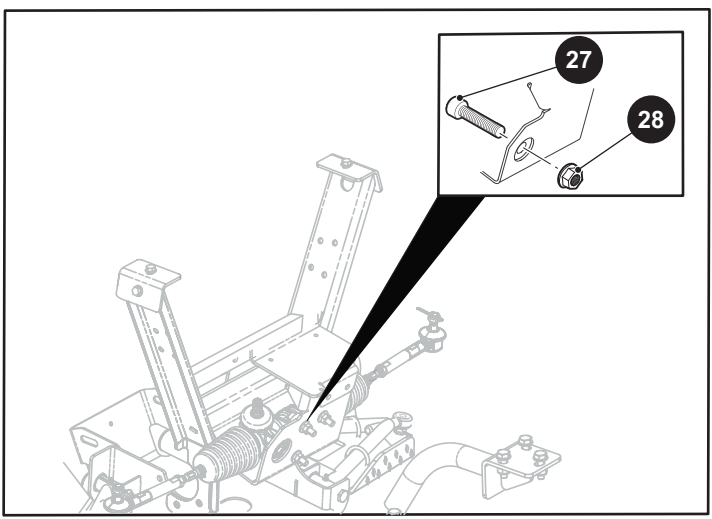
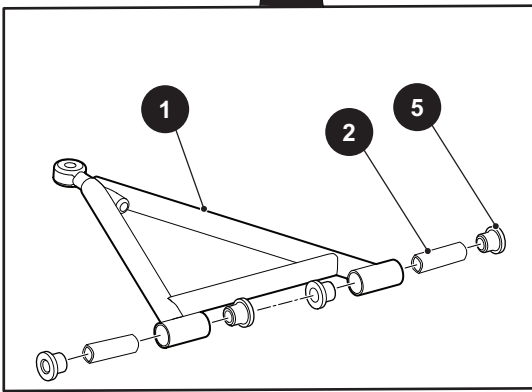
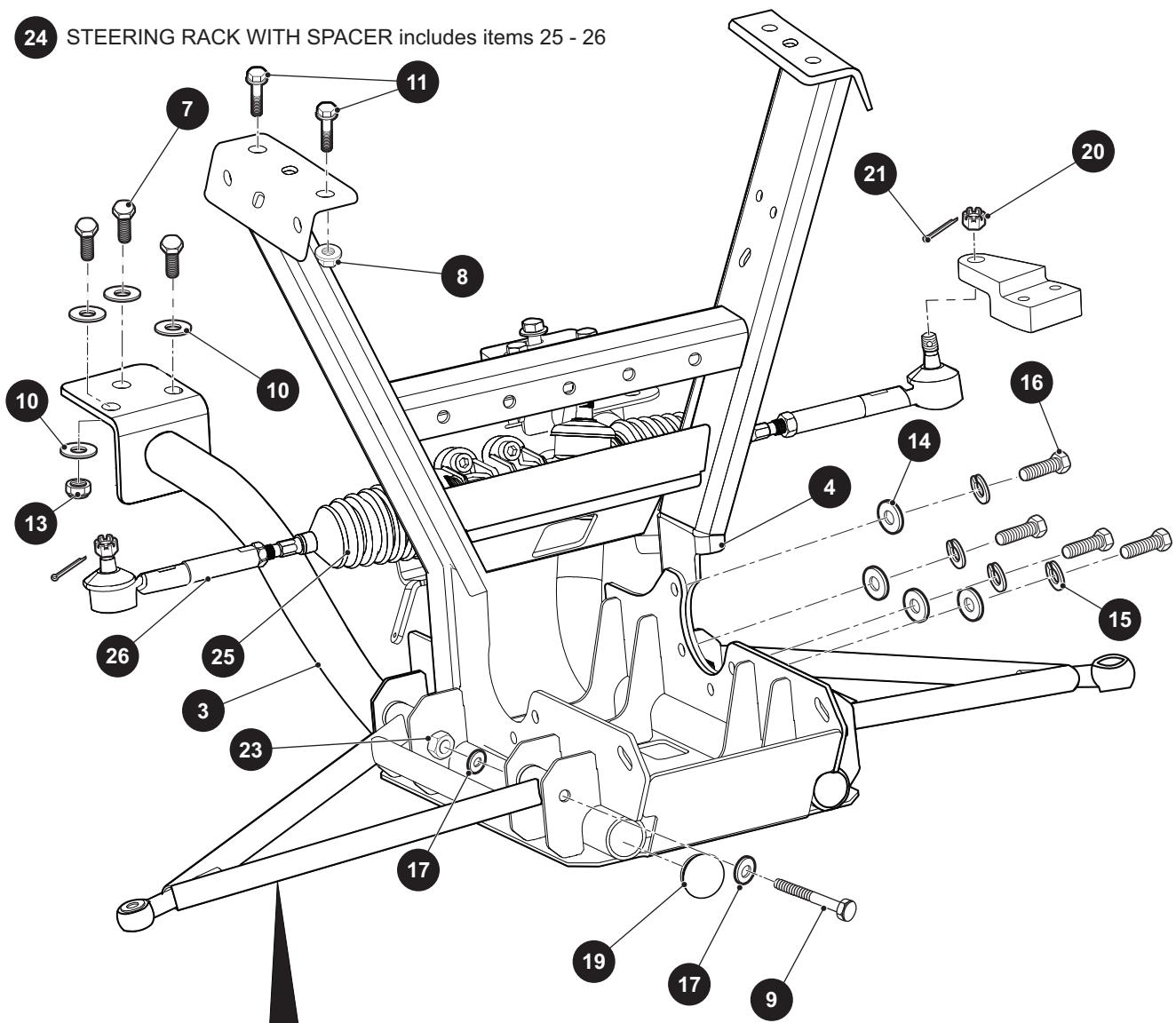






# FRONT SUSPENSION AND STEERING

24 STEERING RACK WITH SPACER includes items 25 - 26



## FRONT SUSPENSION AND STEERING

THE USE OF NON U.L. PARTS WILL VOID ANY U.L. LISTING.

When ordering parts, please specify the model and serial number of the product.

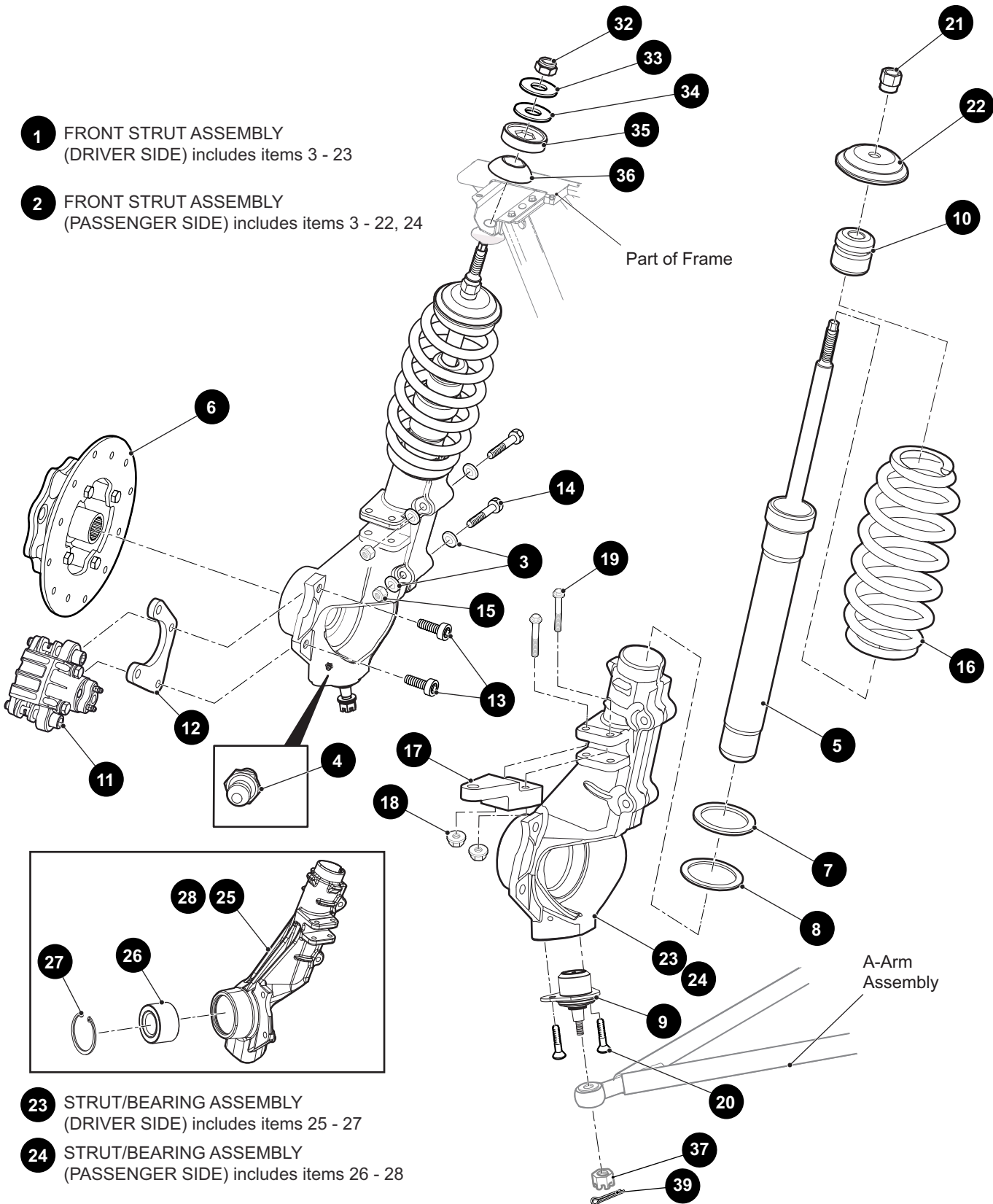
\* Indicates a component that is not available as an individual part.

\*\*\* Indicates consult Customer Service Department for additional information.

ITEM	PART NO.	1 2 3 4 5	DESCRIPTION	QTY.
1	638383G01		CONTROL ARM ASSEMBLY .....	2
2	638223		SPLIT SEAM SPACER, 3/8" I.D. X 2.39" LG .....	4
3	640482		FRONT POWERTRAIN WELDMENT .....	1
4	641999		FRONT SUSPENSION WELDMENT .....	1
5	637745		CONTROL ARM BUSHING .51" I.D. X .84" O.D.....	8
6				
7	00463G11		HEX HEAD BOLT, 7/16" - 14 X 1 1/2" LG .....	6
8	11027G5		FLANGED LOCK NUT, 3/8" - 16.....	8
9	00429G4		HEX HEAD BOLT, 3/8" - 16 X 3.5" LG .....	4
10	306982		FLAT WASHER, .34" .....	12
11	641289		FLANGED HEX HEAD BOLT, 3/8" - 16 X 1" LG .....	8
12				
13	00734G1		LOCK NUT, 7/16" - 14 .....	6
14	00571G3		FLAT WASHER, 3/8" .....	8
15	608654		LOCK WASHER, 10.5MM.....	8
16	306835		HEX HEAD BOLT, 3/8" - 16 X 1 1/4" LG .....	8
17	00560G1		FLAT WASHER, 3/4" .....	8
18				
19	628915		PLASTIC THREADED PLUG, 1.5" - 8 .....	2
20	608005		CASTLE NUT, M12 - 1.25 .....	2
21	10387G2		COTTER PIN, .094 X 1".....	2
22				
23	11098G5		LOCK NUT, 3/8" - 16 .....	4
24	627868		STEERING RACK WITH SPACER (INCLUDES ITEMS 25 - 26) .....	1
25	618330		STEERING RACK .....	1
26	626303		RACK AND PINION SPACER .....	2
27	630449		SOCKET HEAD CAP BOLT, M10 - 45 X 1.5" LG .....	3
28	630450		FLANGED LOCK NUT, M10 - 1.5 .....	3

# FRONT SUSPENSION AND STEERING

- 1** FRONT STRUT ASSEMBLY (DRIVER SIDE) includes items 3 - 23
- 2** FRONT STRUT ASSEMBLY (PASSENGER SIDE) includes items 3 - 22, 24



- 23** STRUT/BEARING ASSEMBLY (DRIVER SIDE) includes items 25 - 27
- 24** STRUT/BEARING ASSEMBLY (PASSENGER SIDE) includes items 26 - 28

## FRONT SUSPENSION AND STEERING

THE USE OF NON U.L. PARTS WILL VOID ANY U.L. LISTING.

When ordering parts, please specify the model and serial number of the product.

\* Indicates a component that is not available as an individual part.

\*\*\* Indicates consult Customer Service Department for additional information.

ITEM	PART NO.	1 2 3 4 5	DESCRIPTION	QTY.
1	640501G01		FRONT STRUT ASSEMBLY (DRIVER SIDE) (INCLUDES ITEMS 3 - 23) .....	1
2	640501G02		FRONT STRUT ASSEMBLY (PASSENGER SIDE) (INCLUDES ITEMS 3 - 22, 24) .....	1
3	103867		FLAT WASHER, .31" .....	4
4	632405		GREASE FITTING.....	1
5	634705		LONG SHOCK STRUT.....	1
6	633792G02		HUB .....	1
7	616053		HUB WASHER, 52MM .....	1
8	616060		STRUT WASHER, 52MM.....	1
9	645047		STRUT BALL JOINT.....	1
10	616073		STRUT BUMP STOPS .....	1
11	638129		BRAKE CALIPER .....	1
12	616451		BRAKE CALIPER MOUNT BRACKET .....	1
13	616596		SOCKET HEAD BOLT, 3/8" - 24 X 3/4" LG .....	2
14	616672		HEX HEAD BOLT, M8 - 1.25 X 60MM LG .....	2
15	616673		LOCK NUT, M8 X 1.25 .....	2
16	618346		SPRING.....	1
17	626725		STEERING ARM .....	1
18	630803		LOCK NUT, 5/16" - 18 .....	2
19	630804G01		HEX HEAD BOLT, 5/16" - 18 X 2" LG.....	2
20	616597		FLAT HEAD TORX SCREW, 1/4" - 20 X 3/4" LG .....	2
21	616056		RETAINING SPRING NUT, M12 - 1.25 .....	1
22	634967		COIL SPRING CAP .....	1
23	642461G01		STRUT/BEARING ASSEMBLY (DRIVER SIDE) (INCLUDES ITEMS 25 - 27).....	1
24	642461G02		STRUT/BEARING ASSEMBLY (PASSENGER SIDE) (INCLUDES ITEMS 26 - 28).....	1
25	632410G03		STRUT BASE (DRIVER SIDE) .....	1
26	633663		WHEEL BEARING, 2.52" O.D X 1.37" I.D .....	1
27	632409		SNAP RING .....	1
28	632410G04		STRUT BASE (PASSENGER SIDE).....	1

# FRONT SUSPENSION AND STEERING

THE USE OF NON U.L. PARTS WILL VOID ANY U.L. LISTING.

When ordering parts, please specify the model and serial number of the product.

\* Indicates a component that is not available as an individual part.

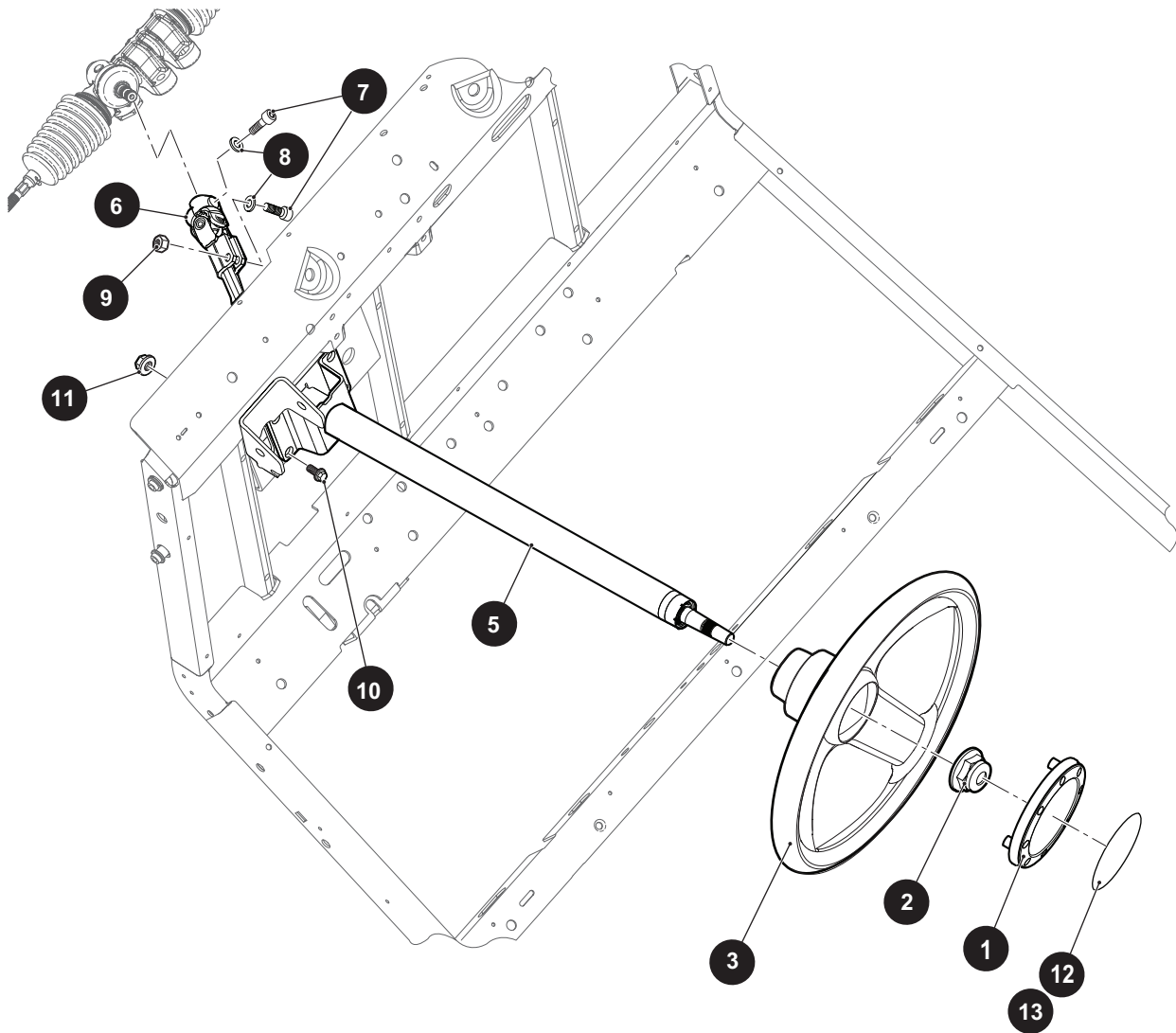
\*\*\* Indicates consult Customer Service Department for additional information.

ITEM	PART NO.	1	2	3	4	5	DESCRIPTION	QTY.
29								
30								
31								
32	625748						LOCK NUT, 1/2" - 13 .....	2
33	636610						FLAT WASHER, 1" .....	2
34	616701						RUBBER WASHER, 1.5" X .76" .....	2
35	629592						BUSHING STRUT (FEMALE) .....	2
36	629593						BUSHING STRUT (MALE) .....	2
37	*						CASTLE NUT, M12 - 1.25 .....	2
38								
39	10387G2						COTTER PIN, .094 X 1" .....	2



# FRONT SUSPENSION AND STEERING

4 STEERING COLUMN ASSEMBLY includes items 5 - 9





## FRONT SUSPENSION AND STEERING

THE USE OF NON U.L. PARTS WILL VOID ANY U.L. LISTING.

When ordering parts, please specify the model and serial number of the product.

\* Indicates a component that is not available as an individual part.

\*\*\* Indicates consult Customer Service Department for additional information.

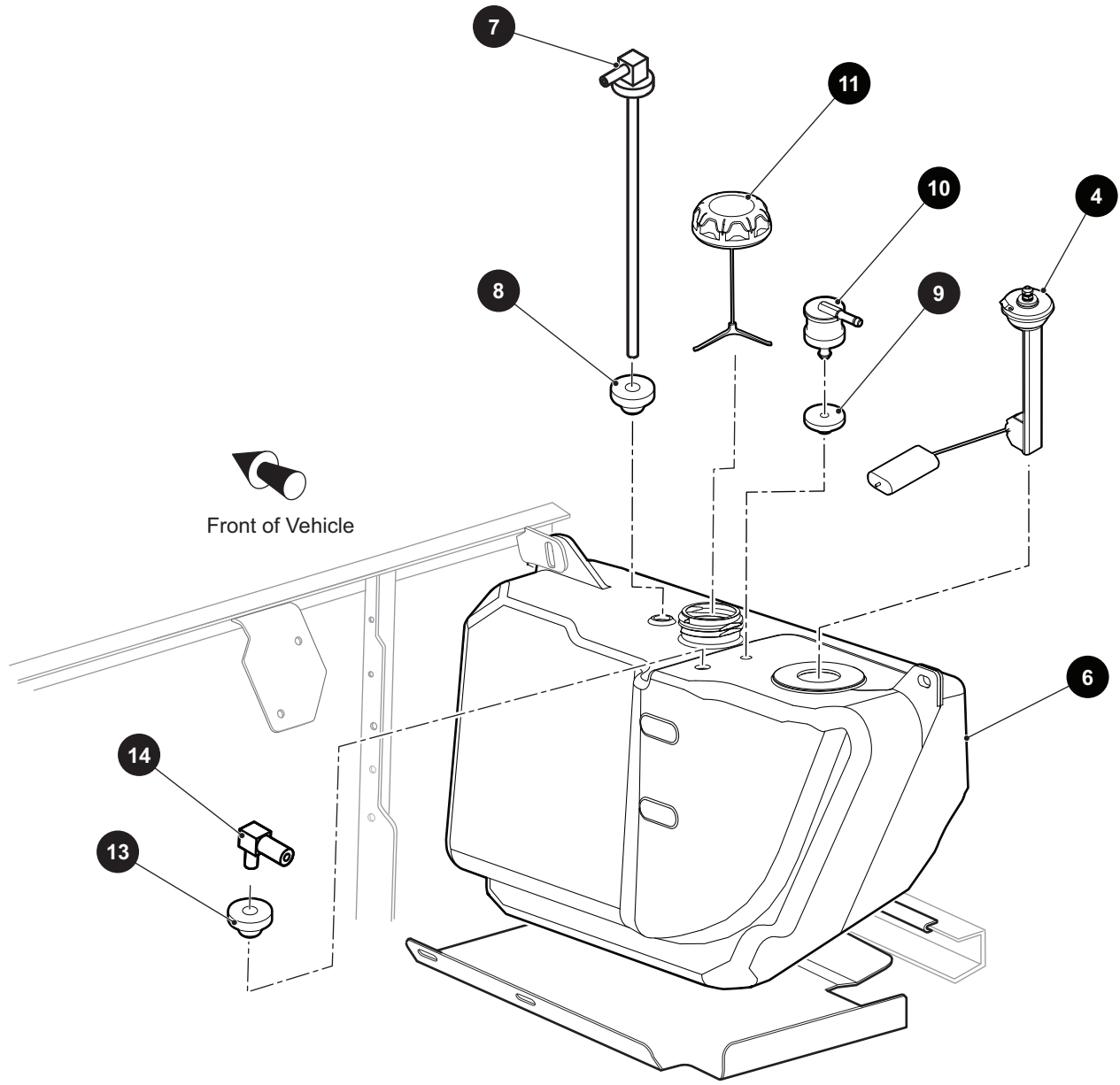
ITEM	PART NO.	1 2 3 4 5	DESCRIPTION	QTY.
1	639439		STEERING WHEEL COVER .....	1
2	601709		LOCK NUT, M16 - 2 .....	1
3	639437		STEERING WHEEL .....	1
4	600333		STEERING COLUMN ASSEMBLY (INCLUDES ITEMS 5 - 9) .....	1
5	608117		COLUMN SUB-ASSEMBLY .....	1
6	608114		STEERING YOKE .....	1
7	608653		SOCKET HEAD SCREW, M10 - 35 X 1.5" LG .....	2
8	608654		LOCK WASHER, 10.5MM .....	2
9	608655		HEX NUT, M10 - 1.5 .....	1
10	603799		FLANGED HEX HEAD BOLT, M10 - 25 X 1.5" LG .....	4
11	600525		FLANGED LOCK NUT, M10 - 1.5 .....	4
12	617802		STEERING WHEEL DECAL (FOR VEHICLES MANUFACTURED UNTIL 18 SEPTEMBER 2016) .....	1
13	650963		STEERING WHEEL DECAL (FOR VEHICLES MANUFACTURED FROM 19 SEPTEMBER 2016) .....	1





# FUEL SYSTEM

**1** CARB FUEL TANK ASSEMBLY (WITH SWITCH) includes items 4 - 14



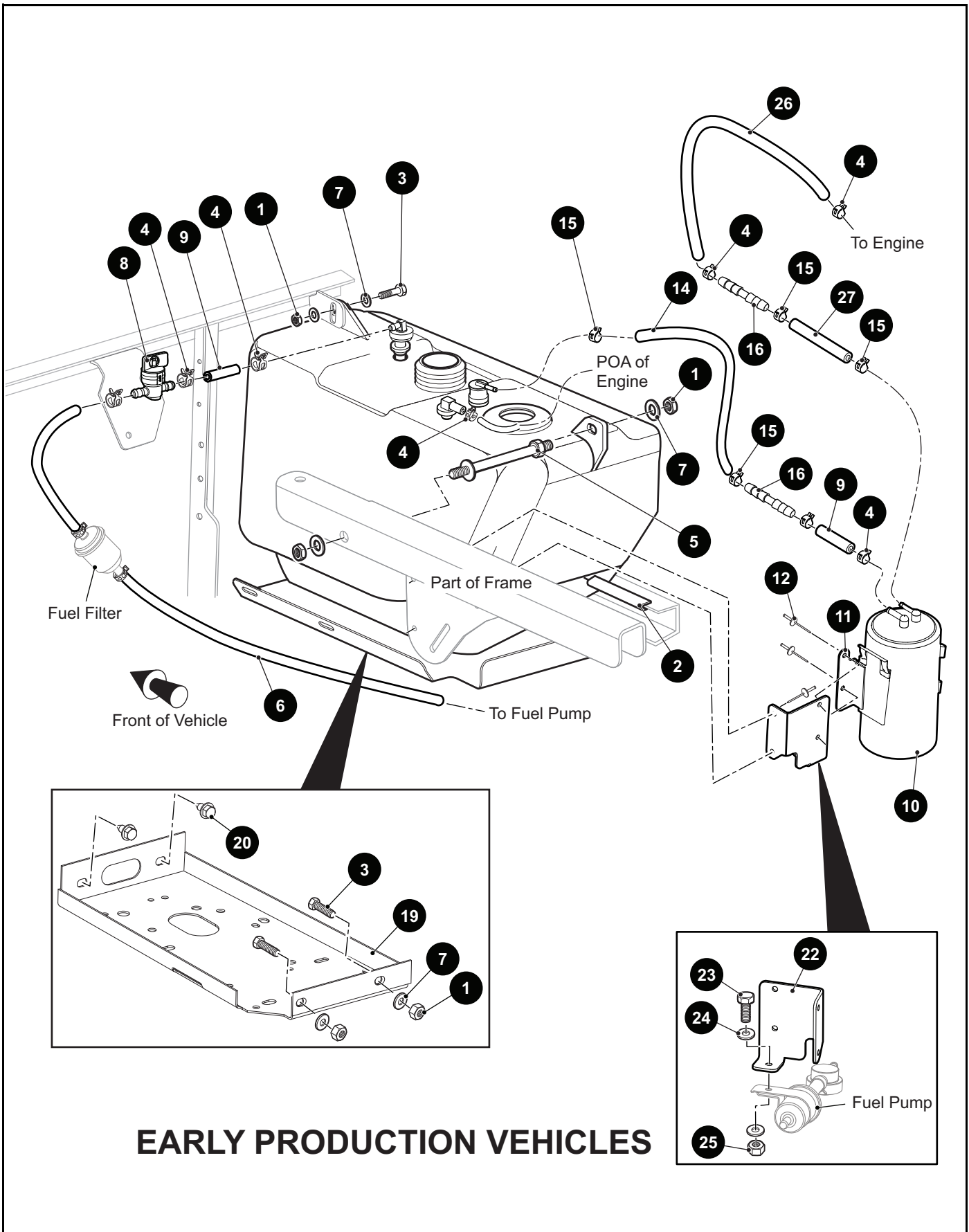
## EARLY PRODUCTION VEHICLES

# FUEL SYSTEM

THE USE OF NON U.L. PARTS WILL VOID ANY U.L. LISTING.  
 When ordering parts, please specify the model and serial number of the product.  
 \* Indicates a component that is not available as an individual part.  
 \*\*\* Indicates consult Customer Service Department for additional information.

ITEM	PART NO.	1 2 3 4 5	DESCRIPTION	QTY.
1	645035		CARB FUEL TANK ASSEMBLY (WITH SWITCH) (INCLUDES ITEMS 4 - 14) .....	1
2				
3				
4	633024G03		FUEL LEVEL SENDER.....	1
5				
6	*		FUEL TANK (WITH SENDER UNIT) .....	1
7	18287G3		SIPHON TUBE ASSEMBLY .....	1
8	70988G01		SIPHON TUBE GROMMET.....	1
9	606068		ROLLOVER VALVE GROMMET .....	1
10	606067		ROLLOVER VALVE .....	1
11	633423		FUEL TANK CAP (RATCHET).....	1
12				
13	633545		FUEL RETURN GROMMET .....	1
14	633546		FUEL RETURN FITTING.....	1

# FUEL SYSTEM



## EARLY PRODUCTION VEHICLES

THE USE OF NON U.L. PARTS WILL VOID ANY U.L. LISTING.

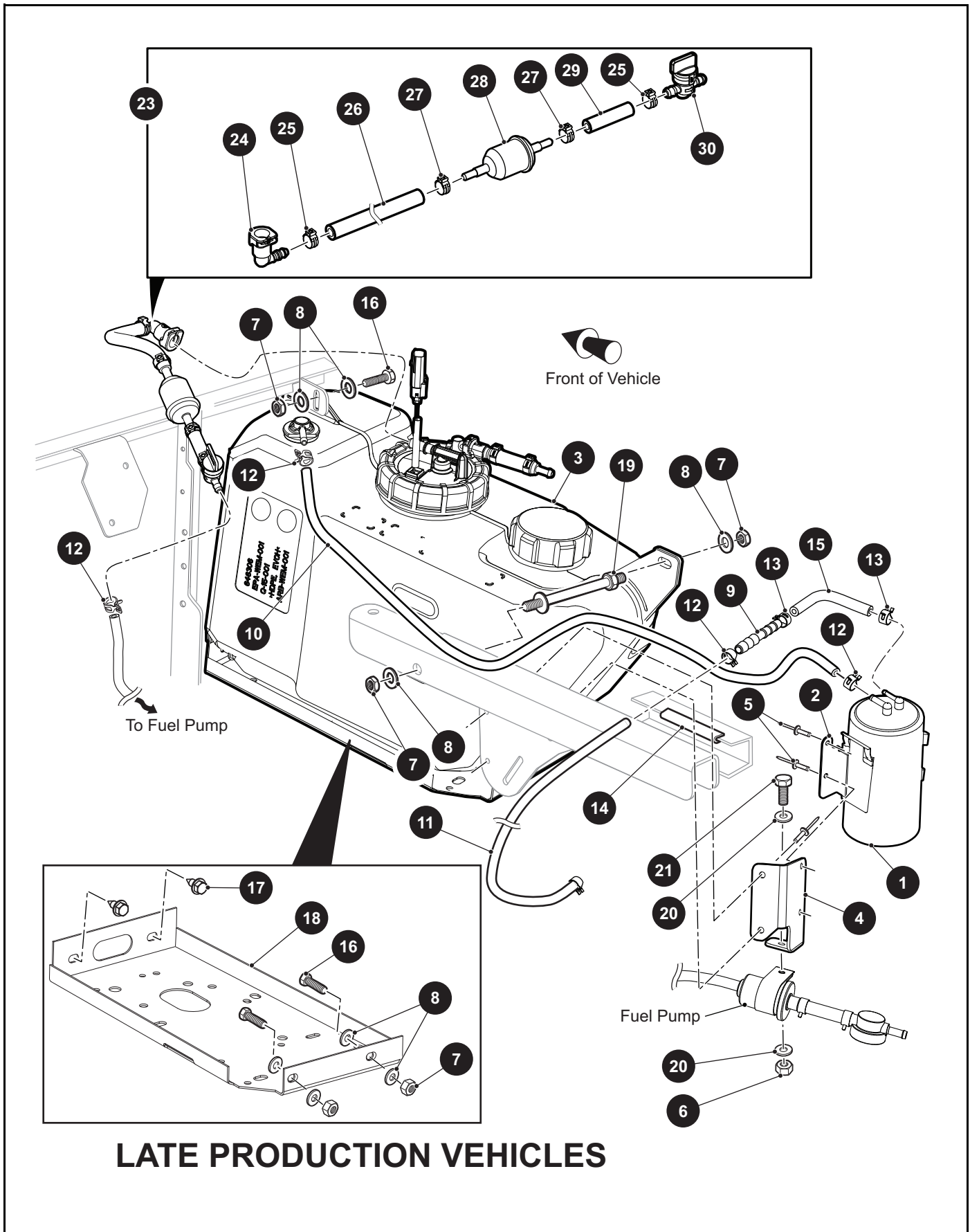
When ordering parts, please specify the model and serial number of the product.

\* Indicates a component that is not available as an individual part.

\*\*\* Indicates consult Customer Service Department for additional information.

ITEM	PART NO.	1 2 3 4 5	DESCRIPTION	QTY.
1	11098G6		LOCK NUT, 5/16" - 18.....	5
2	32372G6		VINYL TRIM, 6.25".....	1
3	00438G8		HEX HEAD BOLT, 5/16" - 18 X 1" LG.....	3
4	18292G1		TUBING CLAMP.....	7
5	70483G01		SPACER, 5/16" - 18 X .66" LG.....	1
6	*		FUEL HOSE.....	1
7	00559G8		FLAT WASHER, 5/16".....	8
8	611181		FUEL SHUT-OFF VALVE.....	1
9	615350		FUEL HOSE, 2".....	2
10	606071		CARBON CANISTER.....	1
11	606310		CHARCOAL CANISTER BRACKET.....	1
12	15058G1		RIVET, 3/16" X 5/8" LG.....	4
13				
14	606964		HOSE, 3/16" I.D. X 13" LG.....	1
15	606963		HOSE CLAMP, 3/16" I.D. ....	4
16	615346		HOSE REDUCER, 1/4" I.D. X 3/16" O.D. ....	2
17				
18				
19	652468		SPLASH PAN.....	1
20	00715G2		FLANGED HEX HEAD BOLT, 5/16" - 18 X .8" LG.....	2
21				
22	633308		CANISTER BRACKET.....	1
23	00661G8		HEX HEAD BOLT (SS), 1/4" - 20 X 1" LG.....	1
24	308090		FLAT WASHER, 1/4".....	2
25	14390G4		LOCK NUT, 1/2" - 20.....	1
26	633623		FUEL HOSE, 1/4" I.D. X 34" LG.....	1
27	633620		HOSE, 3/16" I.D. X 4" LG.....	1

# FUEL SYSTEM





# FUEL SYSTEM

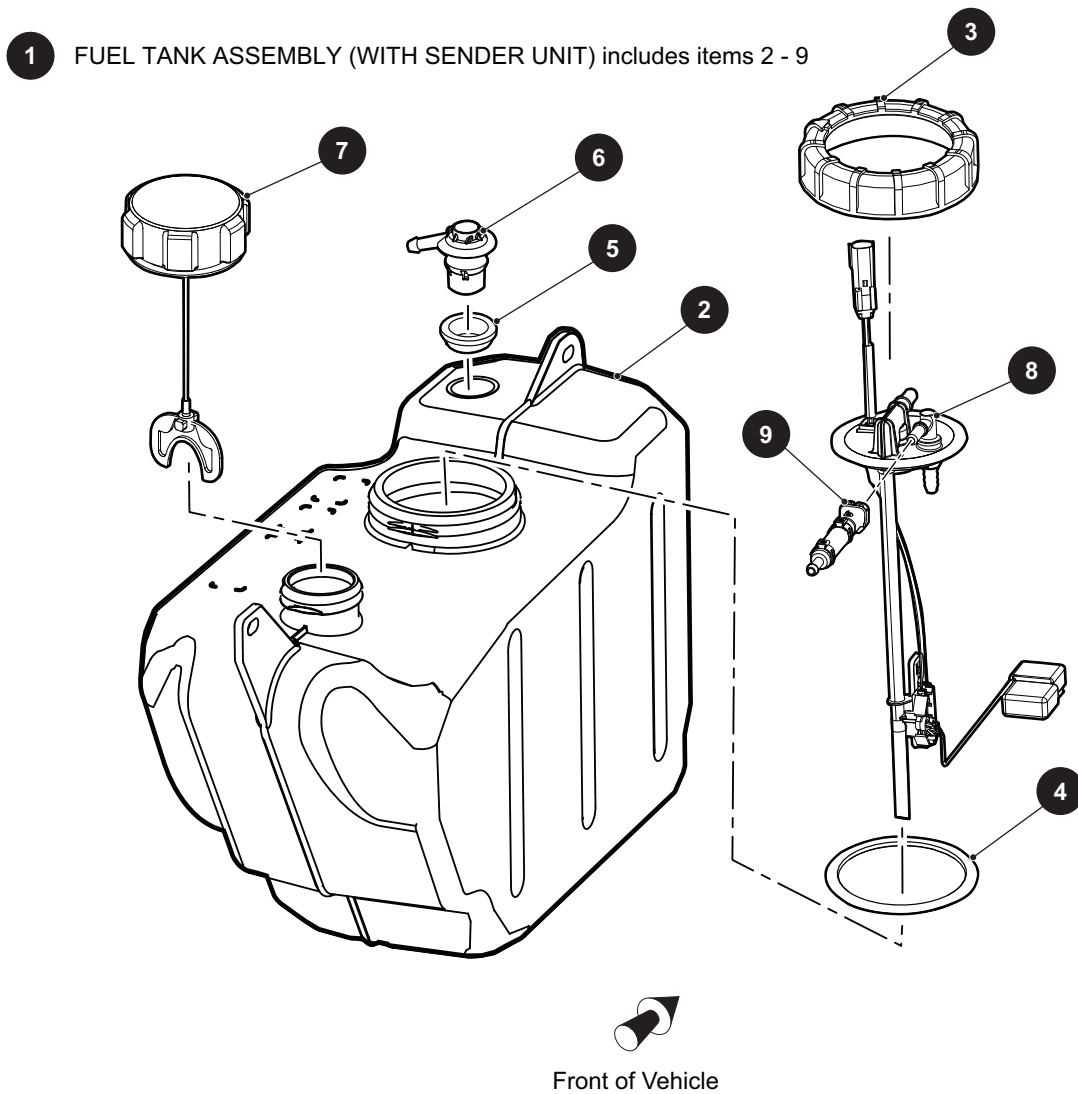
THE USE OF NON U.L. PARTS WILL VOID ANY U.L. LISTING.

When ordering parts, please specify the model and serial number of the product.

\* Indicates a component that is not available as an individual part.

\*\*\* Indicates consult Customer Service Department for additional information.

ITEM	PART NO.	1 2 3 4 5	DESCRIPTION	QTY.
1	606071		CARBON CANISTER.....	1
2	606310		CHARCOAL CANISTER BRACKET .....	1
3	656141		FUEL TANK ASSEMBLY (WITH SENDER UNIT).....	1
4	633308		CANISTER BRACKET .....	1
5	15058G1		RIVET (ALUMINUM), 3/16" X 5/8" LG .....	4
6	14390G4		LOCK NUT, 1/4" - 20 .....	1
7	11098G6		LOCK NUT, 5/16" - 18 .....	5
8	00559G8		FLAT WASHER, 5/16" .....	8
9	615346		HOSE REDUCER, 1/4" I.D. X 3/16" O.D. ....	1
10	27184G01		FUEL TUBE.....	1
11	633623		FUEL HOSE, 1/2" I.D. X 34" LG .....	1
12	18292G1		TUBING CLAMP .....	4
13	606963		HOSE CLAMP, 3/16" I.D. ....	2
14	32372G6		VINYL TRIM, 6.25" .....	1
15	633620		HOSE, 3/16" I.D. X 4" LG.....	1
16	00438G8		HEX HEAD BOLT, 5/16" - 18 X 1" LG .....	3
17	00715G2		FLANGED HEX HEAD BOLT, 5/16" - 18 X .8" LG .....	2
18	70244G05		SPLASH PAN.....	1
19	70483G01		SPACER, 5/16" - 18 X .66" LG.....	1
20	308090		FLAT WASHER, 1/4" .....	2
21	00661G8		HEX HEAD BOLT (SS), 1/4" - 20 X 1" LG .....	1
22				
23	649515		FUEL LINE ASSEMBLY (INCLUDES ITEMS 24 - 30) .....	1
24	649577		CONNECTOR, 5/16" I.D. ....	1
25	649873		CLAMP, 1/2" O.D. ....	2
26	649570		HOSE, .312" I.D. X .562" O.D. X 9" LG .....	1
27	649874		CLAMP, 9/16" O.D. ....	2
28	72084G01		FUEL FILTER .....	1
29	615350		HOSE, 2" LG .....	1
30	611181		SHUT-OFF VALVE.....	1



## LATE PRODUCTION VEHICLES

# FUEL SYSTEM

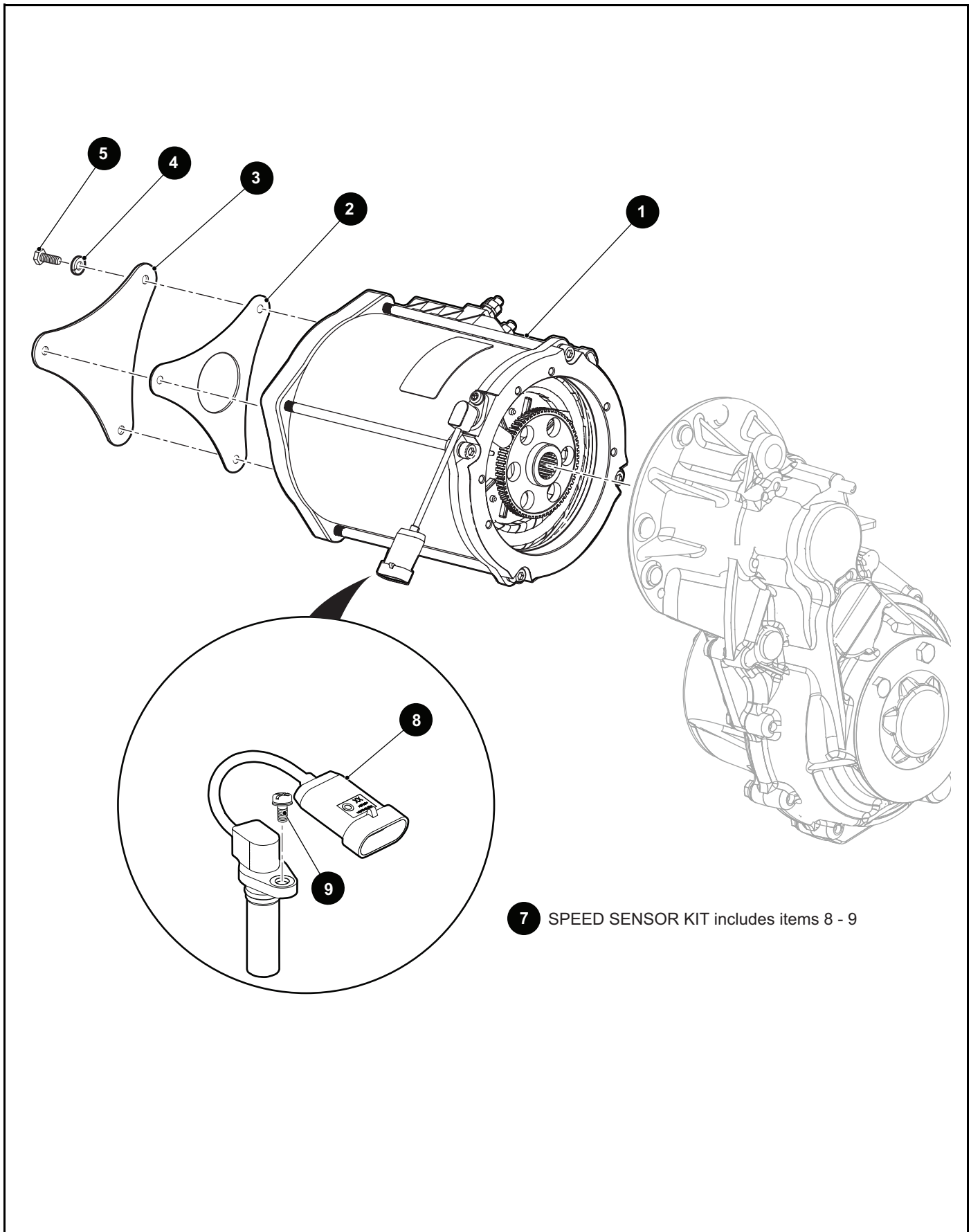
THE USE OF NON U.L. PARTS WILL VOID ANY U.L. LISTING.  
 When ordering parts, please specify the model and serial number of the product.  
 \* Indicates a component that is not available as an individual part.  
 \*\*\* Indicates consult Customer Service Department for additional information.

ITEM	PART NO.	1 2 3 4 5	DESCRIPTION	QTY.
1	656141		FUEL TANK ASSEMBLY (WITH SENDER UNIT) (INCLUDES ITEMS 2 - 9) .....	1
2	646306		FUEL TANK .....	1
3	646837		MASON JAR CAP .....	1
4	646838		MASON JAR SEAL.....	1
5	647810		ROLLOVER VALVE GROMMET .....	1
6	647809		ROLLOVER VALVE .....	1
7	635688		FUEL TANK CAP (RATCHET).....	1
8	656145		FUEL PICKUP WITH SENDER ASSEMBLY .....	1
9	650293		FUEL HOSE REDUCTION ASSEMBLY .....	1





# MOTOR



7 SPEED SENSOR KIT includes items 8 - 9

THE USE OF NON U.L. PARTS WILL VOID ANY U.L. LISTING.  
 When ordering parts, please specify the model and serial number of the product.  
 \* Indicates a component that is not available as an individual part.  
 \*\*\* Indicates consult Customer Service Department for additional information.

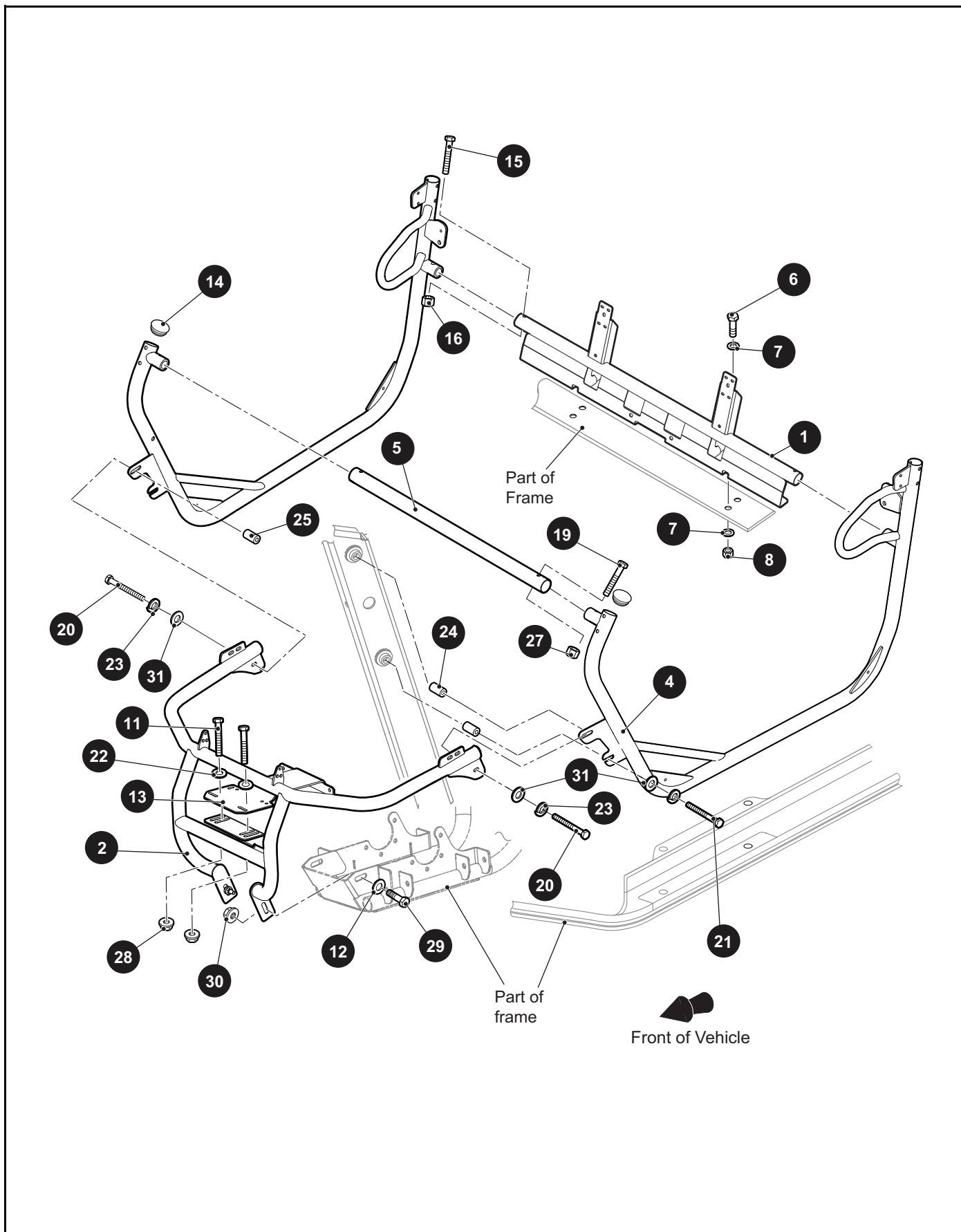
ITEM	PART NO.	1 2 3 4 5	DESCRIPTION	QTY.
1	615557		MOTOR, 72V .....	1
2	629597		MOTOR COVER GASKET .....	1
3	629596		MOTOR COVER .....	1
4	601327		LOCK WASHER, 6MM.....	3
5	616716		HEX HEAD BOLT, M6 - 1 X 16MM LG.....	3
6				
7	614252		SPEED SENSOR KIT (INCLUDES ITEMS 8 - 9) .....	1
8	612741		SPEED SENSOR .....	1
9	614253		PAN HEAD PHILLIPS SCREW, M6 - 1 X 12MM LG .....	1







# OPERATOR PROTECTION SYSTEM



# OPERATOR PROTECTION SYSTEM

THE USE OF NON U.L. PARTS WILL VOID ANY U.L. LISTING.

When ordering parts, please specify the model and serial number of the product.

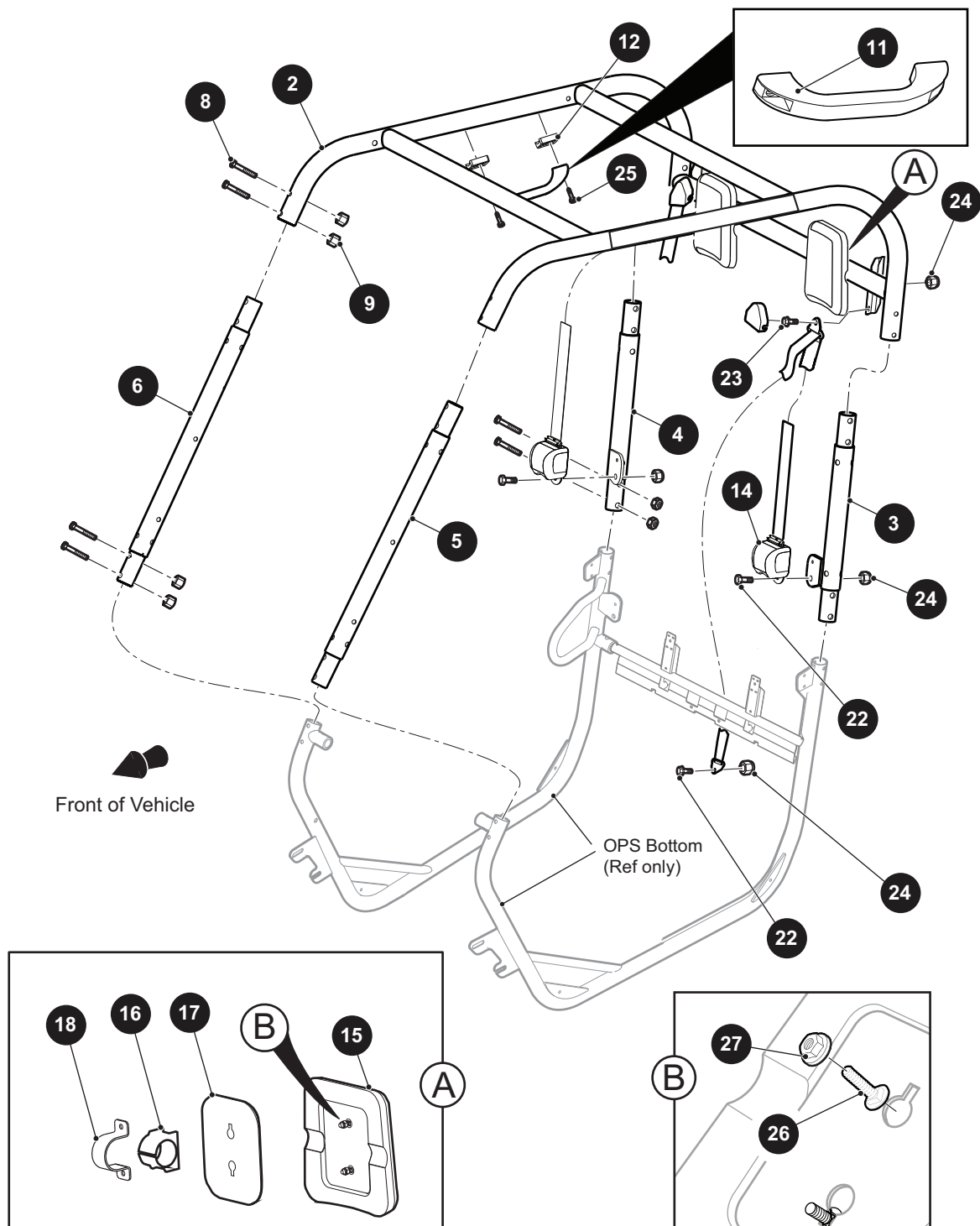
\* Indicates a component that is not available as an individual part.

\*\*\* Indicates consult Customer Service Department for additional information.

ITEM	PART NO.	1 2 3 4 5	DESCRIPTION	QTY.
1	640293		OPS SEAT SUPPORT .....	1
2	641470		FRONT BUMPER WELDMENT .....	1
3	640183		BOTTOM OPS (PASSENGER SIDE) .....	1
4	640182		BOTTOM OPS (DRIVER SIDE) .....	1
5	629023		FRONT CROSSBAR TUBE .....	1
6	00427G2		HEX HEAD BOLT, 3/8" - 16 X 1 1/4" LG .....	4
7	00571G2		FLAT WASHER, 5/16" .....	8
8	11098G5		LOCK NUT, 3/8" - 16 .....	4
9				
10				
11	00439G2		HEX HEAD BOLT, 5/16" - 18 X 1 1/4" LG .....	2
12	00571G2		FLAT WASHER, 5/16" .....	2
13	634047		WINCH PLATE .....	1
14	630762		PLUG, 1.75" O.D. ....	4
15	630642		HEX HEAD BOLT, 3/8" - 16 X 2 1/2" LG .....	2
16	630643		LOCK NUT, 3/8" - 16 .....	2
17				
18				
19	630642		HEX HEAD BOLT, 3/8" - 16 X 2 1/2" LG .....	2
20	00440G6		HEX HEAD BOLT, 5/16" - 18 X 2 3/4" LG .....	2
21	00440G2		HEX HEAD BOLT, 5/16" - 18 X 2 1/4" LG .....	2
22	00642G8		FLAT WASHER, 5/16" .....	2
23	00565G8		LOCK WASHER, 5/16" .....	4
24	75048G02		SPACER, 1.31" LG .....	2
25	75048G04		SPACER, 1" LG .....	2
26				
27	630643		LOCK NUT, 3/8" - 16 .....	2
28	800697		LOCK NUT, 5/16" - 18 .....	2
29	00427G2		HEX HEAD BOLT, 3/8" - 16 X 1 1/4" LG .....	2
30	12262G1		LOCK NUT, 3/16" - 16 .....	2
31	00675G1		FLAT WASHER, 3/8" .....	4

# OPERATOR PROTECTION SYSTEM

- 1 OPS UPPER KIT includes items 2 - 7
- 7 OPS UPPER HARDWARE KIT includes items 8 - 9
- 10 ACCESSORIES OPS KIT includes items 11 - 18
- 21 OPS ACCESSORY HARDWARE KIT includes items 22 - 28



# OPERATOR PROTECTION SYSTEM

THE USE OF NON U.L. PARTS WILL VOID ANY U.L. LISTING.

When ordering parts, please specify the model and serial number of the product.

\* Indicates a component that is not available as an individual part.

\*\*\* Indicates consult Customer Service Department for additional information.

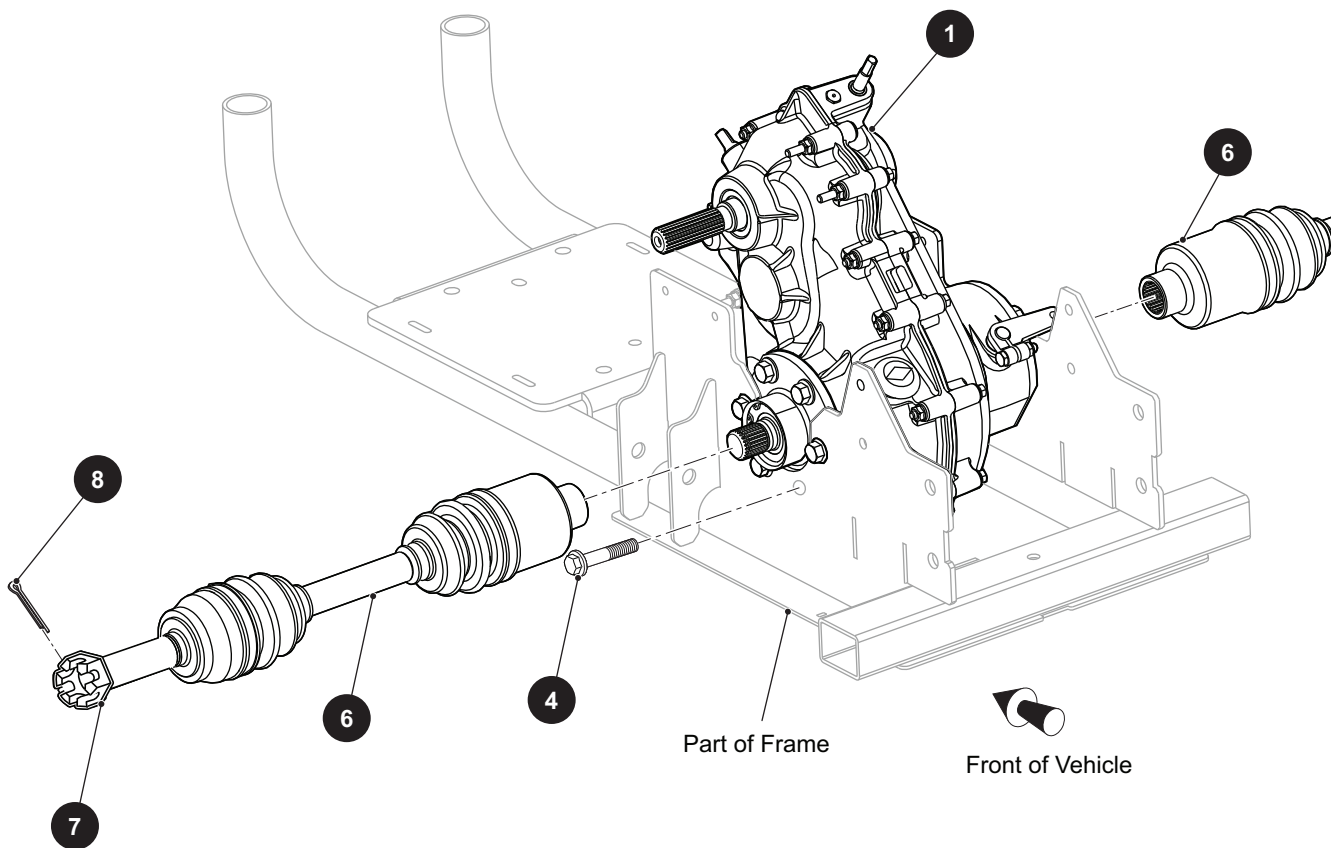
ITEM	PART NO.	1 2 3 4 5	DESCRIPTION	QTY.
1	631578		OPS UPPER KIT (INCLUDES ITEMS 2 - 7).....	1
2	631576		OPS TOP WELDMENT .....	1
3	629080		REAR CONNECTOR (DRIVER SIDE).....	1
4	629079		REAR CONNECTOR (PASSENGER SIDE).....	1
5	629082		FRONT CONNECTOR (DRIVER SIDE).....	1
6	629081		FRONT CONNECTOR (PASSENGER SIDE) .....	1
7	629328		OPS UPPER HARDWARE KIT (INCLUDES ITEMS 8 - 9) .....	1
8	630642		HEX HEAD BOLT, 3/8" - 16 X 2 1/2" LG .....	16
9	630643		LOCK NUT, 3/8" - 16.....	16
10	640436		OPS ACCESSORIES KIT (INCLUDES ITEMS 11 - 18).....	1
11	611774		GRAB HANDLE.....	1
12	612254		GRAB HANDLE MOUNT.....	2
13	629454		SIDE DOOR NET (PAIR) (NOT ILLUSTRATED).....	1
14	649134		SEAT BELT RETRACTOR.....	2
15	628577		HEADREST .....	2
16	629642		CLAMP GUARD .....	2
17	629666		HEADREST PLATE .....	2
18	627786		CLAMP .....	2
19				
20				
21	640434		OPS ACCESSORY HARDWARE KIT (INCLUDES ITEMS 22 - 28).....	1
22	610753		HEX HEAD BOLT, 7/16" - 20 X 1" LG .....	4
23	609569		HEX HEAD BOLT, 7/16" - 20 X 3/4" LG .....	4
24	00734G3		LOCK NUT, 7/16" - 20.....	8
25	612255		PAN HEAD TORX SCREW, #12 - 14 X 1" LG .....	2
26	630763		CARRIAGE BOLT (SS), 1/4" - 20 X .75" LG .....	4
27	14390G4		LOCK NUT, 1/4" - 20.....	4
28	818303		RUBBER SPACER, .38" LG (NOT ILLUSTRATED).....	4





# REAR AXLE

1 MANUAL INDEPENDENT DIFFERENTIAL includes items 2 - 4

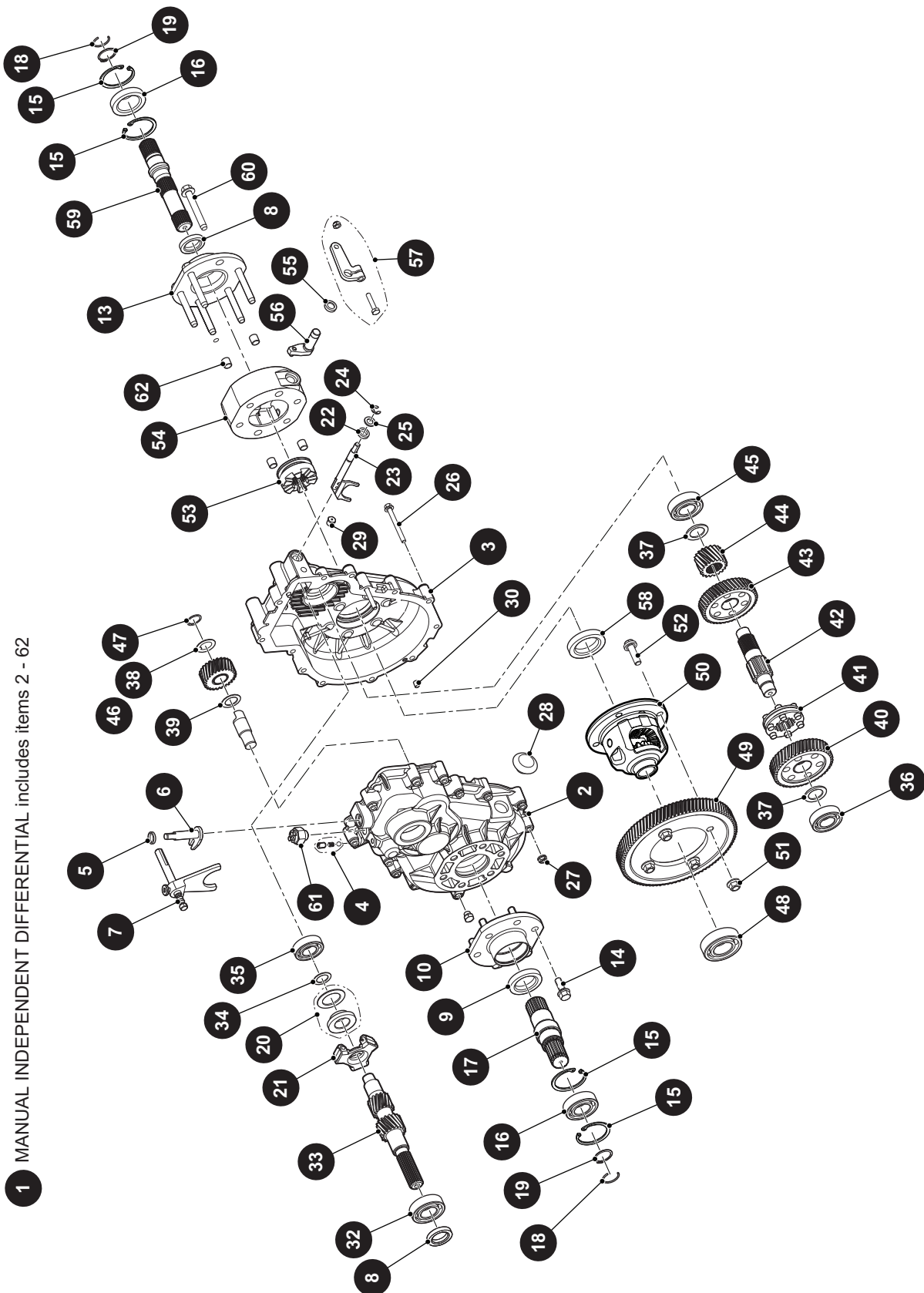




THE USE OF NON U.L. PARTS WILL VOID ANY U.L. LISTING.  
 When ordering parts, please specify the model and serial number of the product.  
 \* Indicates a component that is not available as an individual part.  
 \*\*\* Indicates consult Customer Service Department for additional information.

ITEM	PART NO.	1 2 3 4 5	DESCRIPTION	QTY.
1	631810		MANUAL INDEPENDENT DIFFERENTIAL (INCLUDES ITEMS 2 - 4) .....	1
2	*		OIL FILL PLUG (NOT ILLUSTRATED) .....	1
3	*		OIL DRAIN PLUG (NOT ILLUSTRATED) .....	1
4	*		FLANGED HEX BOLT .....	8
5				
6	636438		AXLE ASSEMBLY .....	2
7	635491		CASTELLATED NUT, M16 - 1.5 .....	2
8	10387G1		COTTER PIN, .125" X 1.5" LG. ....	2
9				
10	640012		BOOT KIT (NOT ILLUSTRATED) .....	1

# REAR AXLE



THE USE OF NON U.L. PARTS WILL VOID ANY U.L. LISTING.  
 When ordering parts, please specify the model and serial number of the product.  
 \* Indicates a component that is not available as an individual part.  
 \*\*\* Indicates consult Customer Service Department for additional information.

ITEM	PART NO.	1 2 3 4 5	DESCRIPTION	QTY.
1	631810		MANUAL INDEPENDENT DIFFERENTIAL (INCLUDES ITEMS 2 - 62) .....	1
2	638277		LEFT AXLE HOUSING ASSEMBLY .....	1
3	638278		RIGHT AXLE HOUSING .....	1
4	638279		DETENT KIT .....	1
5	638280		OIL SEAL .....	1
6	638281		SHIFT ACTUATOR .....	1
7	638282		SHIFT ROD ASSEMBLY .....	1
8	638283		OIL SEAL .....	2
9	638284		OIL SEAL .....	1
10	638285		TUBE ASSEMBLY .....	1
11				
12				
13	638286		TUBE ASSEMBLY .....	1
14	638287		FLANGE HEAD SCREW .....	6
15	638288		RETAINING RING .....	4
16	638289		BALL BEARING .....	2
17	638290		AXLE SHAFT .....	1
18	638291		RETAINING RING .....	2
19	638292		RETAINING RING .....	2
20	638293		ACTUATING SLEEVE ASSEMBLY .....	1
21	638294		BACKING PLATE ASSEMBLY .....	1
22	638295		OIL SEAL .....	1
23	638296		GOVERNOR ACTUATOR ASSEMBLY .....	1
24	638297		RETAINING RING .....	1
25	638298		WASHER .....	1
26	638299		FLANGE HEAD SCREW .....	13
27	638300		LOCK NUT .....	13
28	638301		RUBBER PLUG .....	1
29	638302		VENT .....	1
30	638303		DOWEL PIN .....	2
31				

# REAR AXLE

THE USE OF NON U.L. PARTS WILL VOID ANY U.L. LISTING.

When ordering parts, please specify the model and serial number of the product.

\* Indicates a component that is not available as an individual part.

\*\*\* Indicates consult Customer Service Department for additional information.

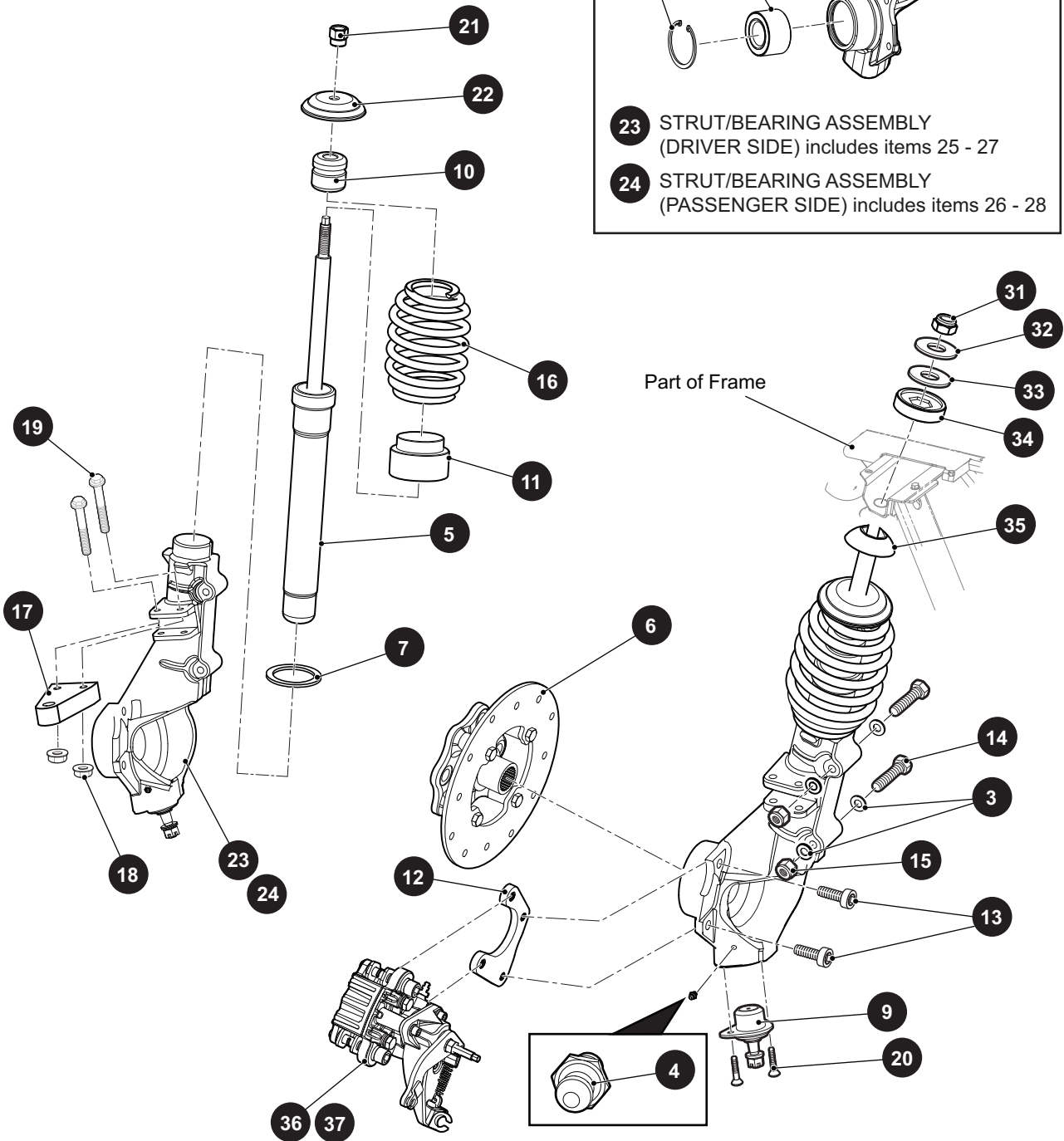
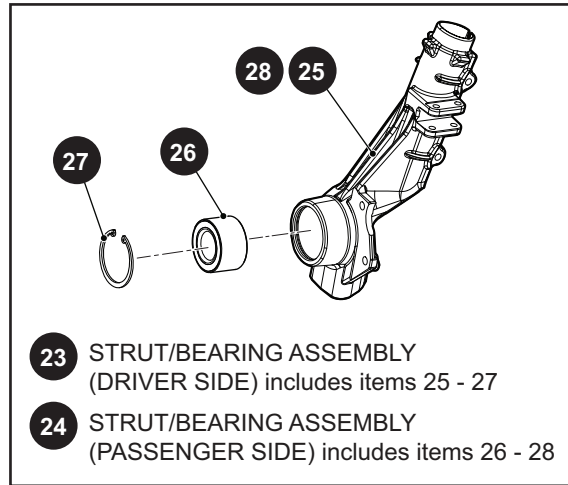
ITEM	PART NO.	1	2	3	4	5	DESCRIPTION	QTY.
32	638304						BALL BEARING .....	1
33	638305						INPUT SHAFT .....	1
34	638306						SHIM WASHER .....	AR
35	638307						BALL BEARING .....	1
36	638308						BALL BEARING .....	1
37	638309						FLAT SPACER .....	2
38	638310						THRUST WASHER .....	1
39	638311						THRUST WASHER .....	1
40	638312						FORWARD GEAR ASSEMBLY .....	1
41	638313						CLUTCH GEAR .....	1
42	638314						INTERMEDIATE SHAFT .....	1
43	638315						REVERSE GEAR ASSEMBLY .....	1
44	638316						PINION GEAR.....	1
45	638317						BALL BEARING .....	1
46	638318						REVERSE IDLER GEAR ASSEMBLY .....	1
47	638319						RETAINING RING.....	1
48	638320						BALL BEARING .....	1
49	638321						OUTPUT GEAR .....	1
50	638322						DIFFERENTIAL ASSEMBLY KIT .....	1
51	638323						LOCK NUT .....	4
52	638324						HEX BOLT.....	4
53	638325						DIFERENTIAL LOCK GEAR CLUTCH .....	1
54	638326						DIFFERENTIAL LOCK HOUSING .....	1
55	638327						OIL SEAL .....	1
56	638328						SHIFT SHAFT ASSEMBLY .....	1
57	638329						LEVER ASSEMBLY .....	1
58	638330						BALL BEARING .....	1
59	638331						AXLE SHAFT .....	1
60	638332						FLANGE HEAD SCREW .....	6
61	638333						NEUTRAL SWITCH .....	1
62	638334						HOLLOW DOWEL PIN .....	4



# REAR SUSPENSION

**1** REAR STRUT ASSEMBLY (DRIVER SIDE)  
includes items 3 - 23, 25

**2** REAR STRUT ASSEMBLY (PASSENGER SIDE)  
includes items 3 - 22, 24, 26



# REAR SUSPENSION

THE USE OF NON U.L. PARTS WILL VOID ANY U.L. LISTING.

When ordering parts, please specify the model and serial number of the product.

\* Indicates a component that is not available as an individual part.

\*\*\* Indicates consult Customer Service Department for additional information.

ITEM	PART NO.	1 2 3 4 5	DESCRIPTION	QTY.
1	640501G07		REAR STRUT ASSEMBLY (DRIVER SIDE) (INCLUDES ITEMS 3 - 23, 25).	1
2	640501G08		REAR STRUT ASSEMBLY (PASSENGER SIDE) (INCLUDES ITEMS 3 - 22, 24, 26) .....	1
3	103867		FLAT WASHER, .31" X .69" X .06" .....	4
4	632405		GREASE FITTING, 3/16" .....	1
5	634705		SHOCK STRUT .....	1
6	633792G02		HUB ASSEMBLY .....	1
7	616053		STRUT WASHER, 52MM .....	1
8				
9	645047		STRUT BALL JOINT.....	1
10	616073		STRUT BUMP STOP.....	1
11	634936G01		SPRING SPACER, 1.13" .....	1
12	616451		CALIPER MOUNT BRACKET .....	1
13	616596		SOCKET HEAD BOLT, 3/8" - 24 X 3/4" LG .....	2
14	616672		HEX HEAD BOLT, M8 - 1.25 X 60MM LG .....	2
15	616673		LOCK NUT, M8.....	2
16	616063		COIL SPRING.....	1
17	634928		REAR STEERING ARM .....	1
18	630803		LOCK NUT, 5/16" - 18 .....	2
19	630804G01		FLANGED HEX HEAD BOLT, 5/16" - 18 X 2" LG.....	2
20	616597		FLAT HEAD TORX SCREW, 1/4" - 20 X 3/4" LG .....	2
21	616056		SPRING RETAINING NUT, M12 - 1.25 .....	1
22	634967		COIL SPRING CAP .....	1
23	642461G01		STRUT/BEARING ASSEMBLY (DRIVER SIDE) (INCLUDES ITEMS 25 - 27).....	1
24	642461G02		STRUT/BEARING ASSEMBLY (PASSENGER SIDE) (INCLUDES ITEMS 26 - 28).....	1
25	632410G03		STRUT BASE (DRIVER SIDE) .....	1
26	633663		WHEEL BEARING, 2.52" O.D X 1.37" I.D .....	1
27	632409		SNAP RING .....	1
28	632410G04		STRUT BASE (PASSENGER SIDE).....	1
29				

# REAR SUSPENSION

THE USE OF NON U.L. PARTS WILL VOID ANY U.L. LISTING.  
 When ordering parts, please specify the model and serial number of the product.  
 \* Indicates a component that is not available as an individual part.  
 \*\*\* Indicates consult Customer Service Department for additional information.

ITEM	PART NO.	1	2	3	4	5	DESCRIPTION	QTY.
30								
31	625748						NYLOCK NUT, 1/2" - 13 .....	2
32	636610						FLAT WASHER, 1" .....	2
33	616701						RUBBER WASHER, 1.5MM X .76MM .....	2
34	629592						BUSHING STRUT (FEMALE) .....	2
35	629593						BUSHING STRUT (MALE) .....	2
36	638127						BRAKE CALIPER (DRIVER SIDE).....	1
37	638128						BRAKE CALIPER (PASSENGER SIDE).....	1





# REAR SUSPENSION

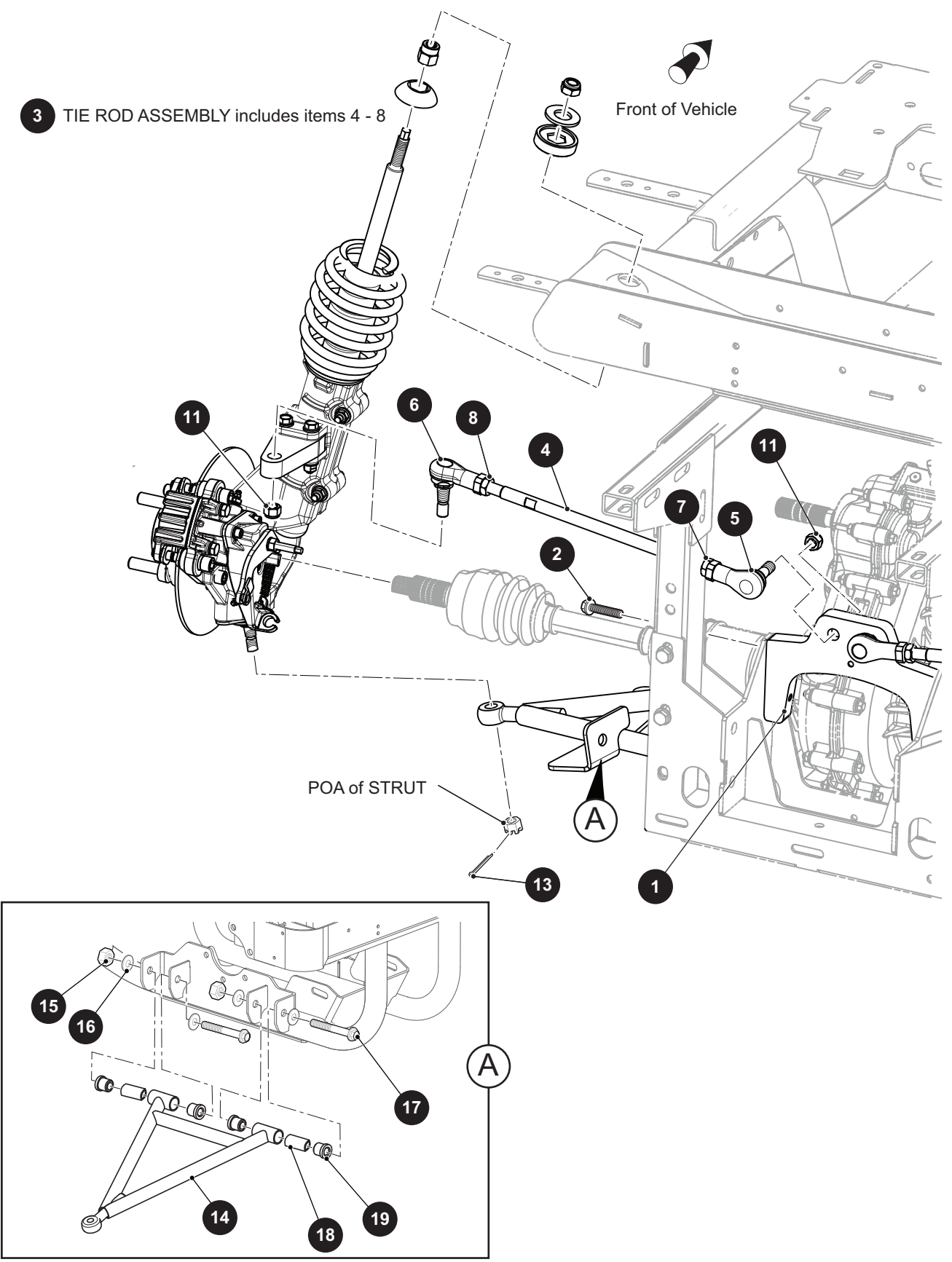
3 TIE ROD ASSEMBLY includes items 4 - 8

Front of Vehicle

POA of STRUT

A

A



## REAR SUSPENSION

THE USE OF NON U.L. PARTS WILL VOID ANY U.L. LISTING.

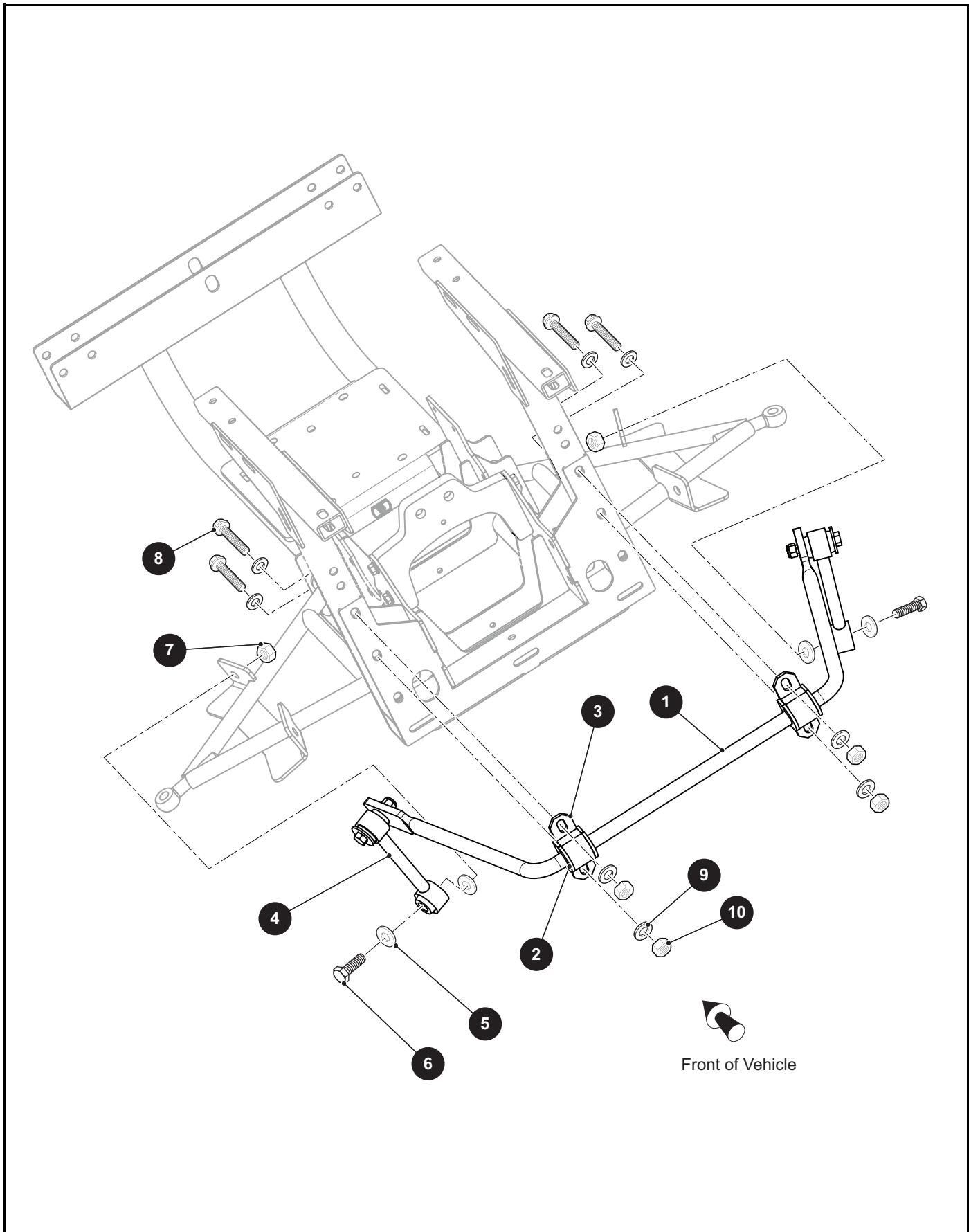
When ordering parts, please specify the model and serial number of the product.

\* Indicates a component that is not available as an individual part.

\*\*\* Indicates consult Customer Service Department for additional information.

ITEM	PART NO.	1 2 3 4 5	DESCRIPTION	QTY.
1	634721		STEERING ROD MOUNTING BRACKET .....	1
2	13437G3		FLANGED HEX HEAD BOLT, 5/16" - 18 X 1" LG .....	4
3	633535		TIE ROD ASSEMBLY (INCLUDES ITEMS 4 - 8).....	2
4	632114		THREADED TIE ROD .....	1
5	70902G01		TIE ROD END (DRIVER SIDE) .....	1
6	70902G02		TIE ROD END (PASSENGER SIDE).....	1
7	01069G01		JAM NUT, M12 - 1.25 (DRIVER SIDE).....	1
8	01069G02		JAM NUT, M12 - 1.25 (PASSENGER SIDE) .....	1
9				
10				
11	00734G1		LOCK NUT, 7/16" - 14 .....	4
12				
13	00798G3		COTTER PIN, 3/32" X 1/2" LG.....	2
14	638383G02		A-ARM ASSEMBLY .....	2
15	11098G5		LOCK NUT, 3/8" - 16 .....	4
16	00560G1		FLAT WASHER, 3/8" .....	8
17	00429G4		HEX HEAD BOLT, 3/8" - 16 X 3 1/2" LG .....	4
18	638223		SPLIT SEAM SPACER, 3/8" X 2.39" .....	4
19	637745		A-ARM BUSHING, .84" O.D. X .51" I.D. ....	8

# REAR SUSPENSION



# REAR SUSPENSION

THE USE OF NON U.L. PARTS WILL VOID ANY U.L. LISTING.  
 When ordering parts, please specify the model and serial number of the product.  
 \* Indicates a component that is not available as an individual part.  
 \*\*\* Indicates consult Customer Service Department for additional information.

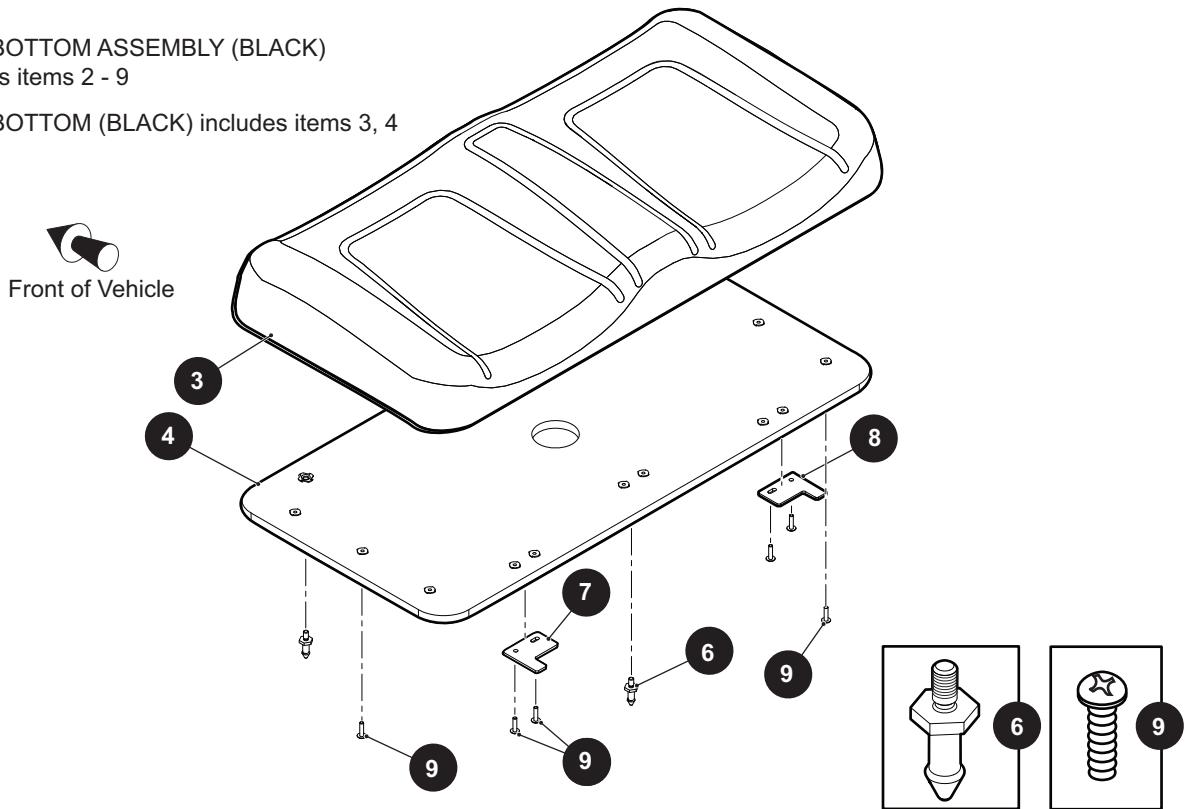
ITEM	PART NO.	1 2 3 4 5	DESCRIPTION	QTY.
1	633473		SWAY BAR.....	1
2	633953		SWAY BAR BUSHING, .75" DIA.....	2
3	632380		SWAY BAR BUSHING BRACKET .....	2
4	635472		SWAY BAR LINK ASSEMBLY.....	2
5	00571G5		FLAT WASHER, 1/2".....	8
6	628995		HEX HEAD BOLT, 7/16" - 20 X 2 3/4" LG .....	4
7	00734G3		LOCK NUT, 7/16" - 20.....	4
8	00428G8		FLANGED HEX HEAD BOLT, 3/8" - 16 X 3" LG .....	4
9	00560G1		FLAT WASHER, 3/8".....	8
10	11098G5		LOCK NUT, 3/8" - 16.....	4



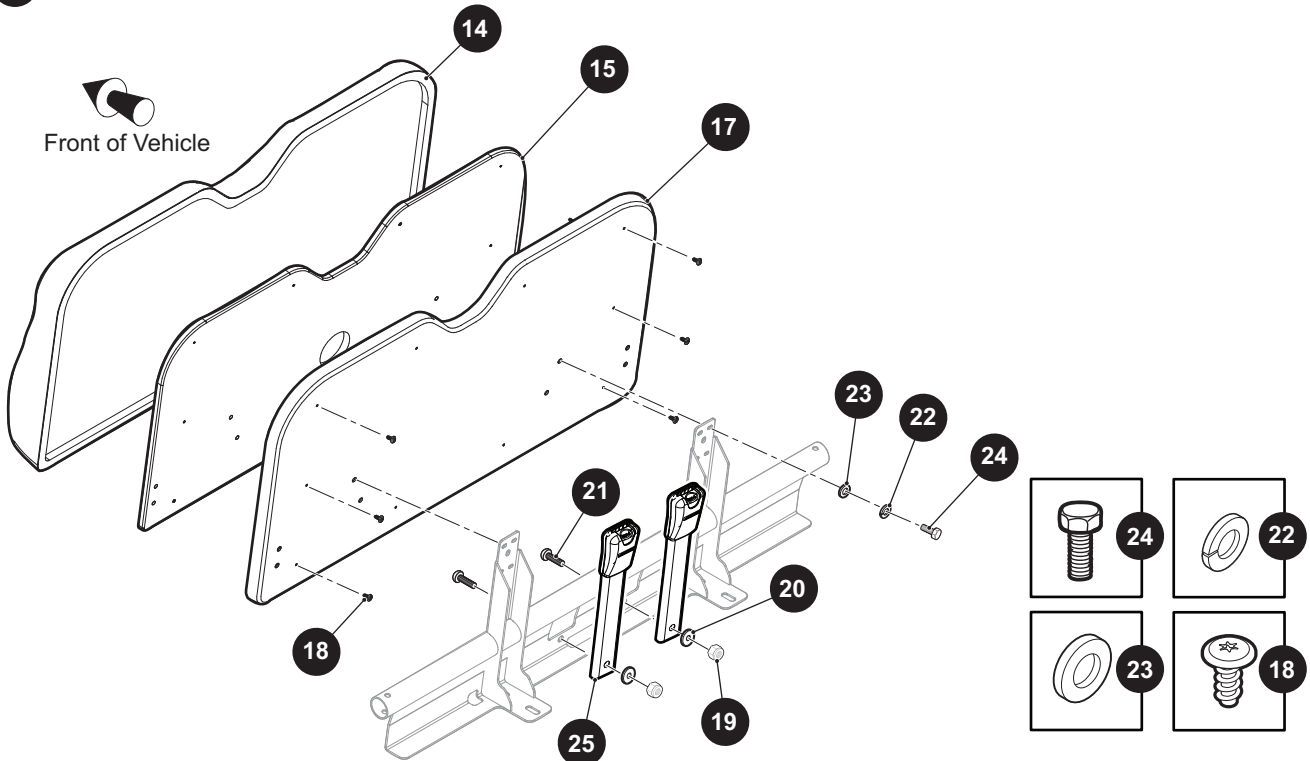


# SEATING

- 1** SEAT BOTTOM ASSEMBLY (BLACK)  
includes items 2 - 9
- 2** SEAT BOTTOM (BLACK) includes items 3, 4



- 12** SEAT BACK ASSEMBLY (BLACK)  
includes items 13 - 18
- 13** SEAT BACK (BLACK) includes items 14, 15





THE USE OF NON U.L. PARTS WILL VOID ANY U.L. LISTING.

When ordering parts, please specify the model and serial number of the product.

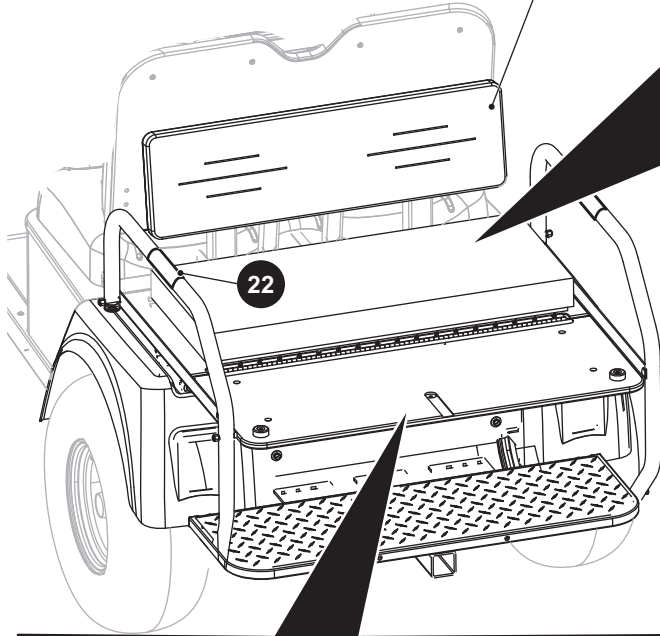
\* Indicates a component that is not available as an individual part.

\*\*\* Indicates consult Customer Service Department for additional information.

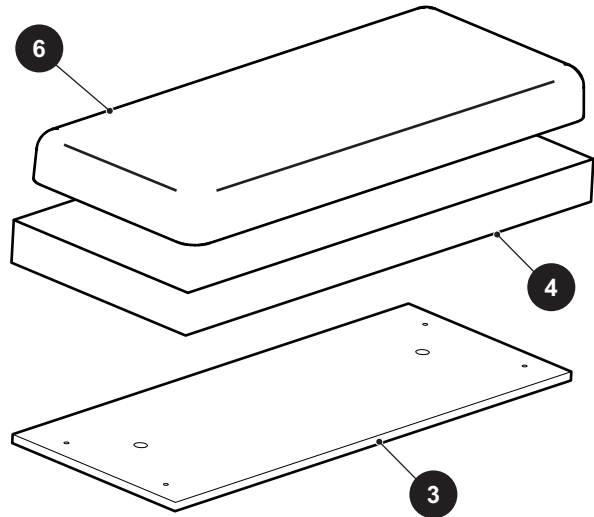
ITEM	PART NO.	1 2 3 4 5	DESCRIPTION	QTY.
1	640489G0106		SEAT BOTTOM ASSEMBLY (BLACK) (INCLUDES ITEMS (2 - 9).....	1
2	637823G06		SEAT BOTTOM (BLACK) (INCLUDES ITEMS 3, 4) .....	2
3	640234G06		VINYL AND FOAM SEAT BOTTOM.....	1
4	640198		WOOD SEAT BOTTOM .....	1
5				
6	639904		RETENTION PIN.....	2
7	638701G01		SEAT LOCATOR TAB (DRIVER SIDE) .....	1
8	638701G02		SEAT LOCATOR TAB (PASSENGER SIDE) .....	1
9	16705G1		TRUSS HEAD PHILLIPS SCREW (SS), 1/4" - 20 X 1" LG .....	4
10				
11				
12	640781G06		SEAT BACK ASSEMBLY (BLACK) (INCLUDES ITEMS 13 - 18) .....	1
13	637824G06		SEAT BACK (BLACK) (INCLUDES ITEMS 14, 15).....	1
14	640233G06		VINYL AND FOAM SEAT BACK .....	1
15	640208		WOOD SEAT BACK.....	1
16				
17	640209		SEAT BACK COVER .....	1
18	01107G01		PAN HEAD TORX SCREW, #8 .....	10
19	00734G3		LOCK NUT, 7/16" - 20 .....	2
20	00560G3		FLAT WASHER, 3/8".....	2
21	635630		BUTTON HEAD TORX BOLT, 7/16" - 20 X 1.25" LG.....	2
22	00664G7		LOCK WASHER (SS), 1/4" .....	4
23	01110G01		FLAT WASHER, 1/4".....	4
24	00661G8		HEX HEAD CAP SCREW (SS), 1/4" - 20 X 1" LG.....	4
25	631973		BUCKLE AND BRACKET ASSEMBLY, 13.5" LG.....	2
26	632939		SEAT BOTTOM INDICATOR LABEL (NOT ILLUSTRATED) .....	1

4 PASSENGER

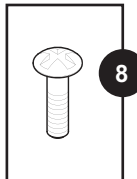
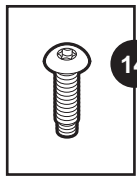
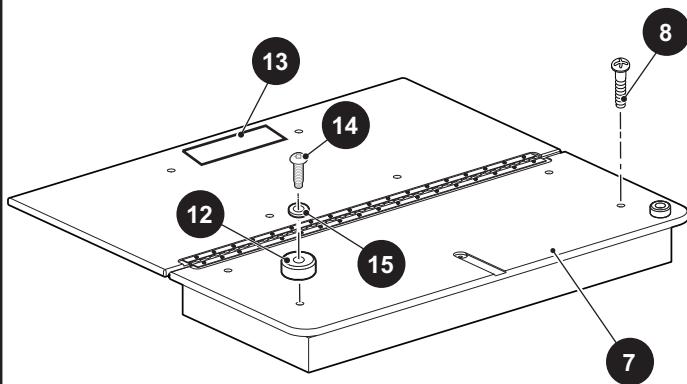
Seat Backrest Assembly



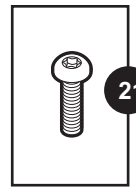
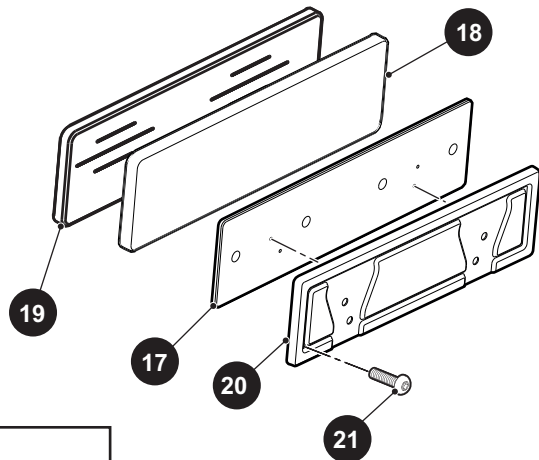
**2** FLIP SEAT BOTTOM ASSEMBLY  
includes items 3, 4



**1** FLIP SEAT BOTTOM ASSEMBLY (BLACK)  
includes items 2 - 8



**16** BACKREST ASSEMBLY (BLACK)  
includes items 17 - 21



THE USE OF NON U.L. PARTS WILL VOID ANY U.L. LISTING.

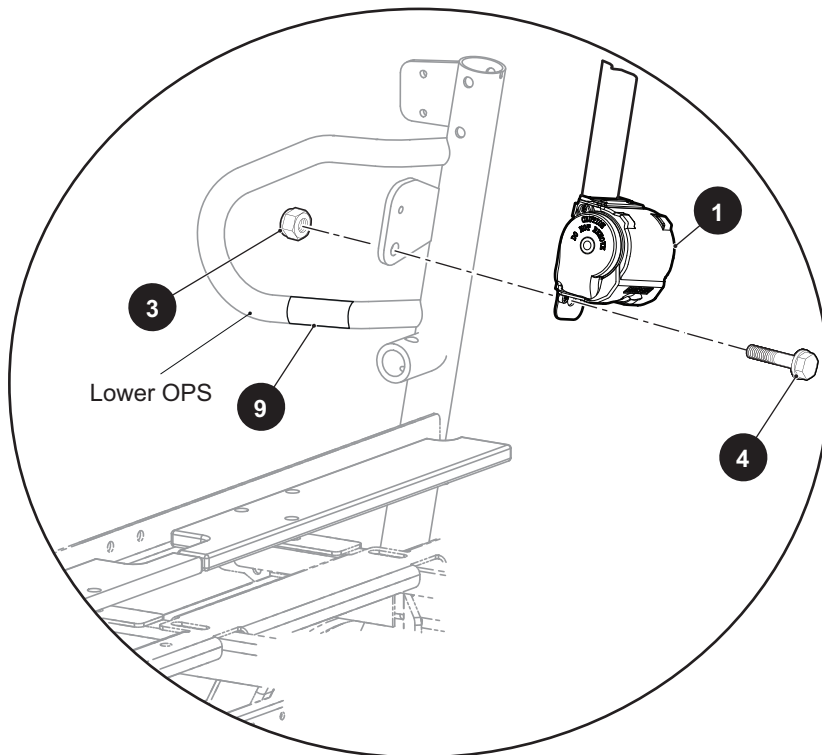
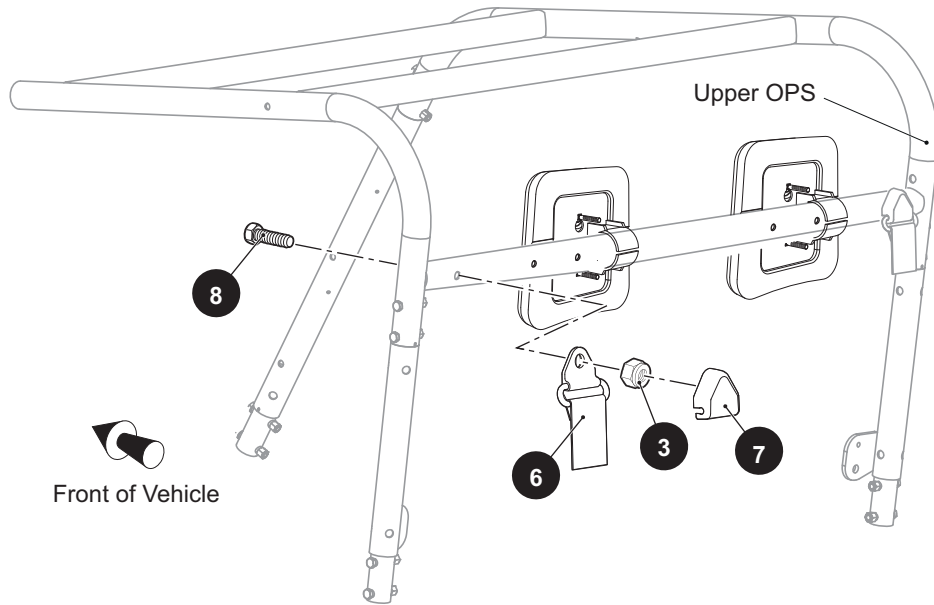
When ordering parts, please specify the model and serial number of the product.

\* Indicates a component that is not available as an individual part.

\*\*\* Indicates consult Customer Service Department for additional information.

ITEM	PART NO.	1 2 3 4 5	DESCRIPTION	QTY.
1	629654		FLIP SEAT BOTTOM ASSEMBLY (BLACK) (INCLUDES ITEMS 2 - 8) .....	1
2	621036		FLIP SEAT BOTTOM ASSEMBLY (INCLUDES ITEMS 3, 4) .....	1
3	617400		SEAT BOTTOM PLYWOOD.....	1
4	617401		SEAT BOTTOM FOAM .....	1
5				
6	615648		SEAT BOTTOM VINYL.....	1
7	627157		DECK BOARD ASSEMBLY .....	1
8	16705G1		TRUSS HEAD PHILLIPS SCREW (SS), 1/4" - 20 X 1" LG .....	4
9				
10				
11				
12	619756		RUBBER BUMPER.....	2
13	628942		FLIP SEAT BED LOAD LABEL .....	1
14	800344		TRUSS HEAD PHILLIPS TAPPING SCREW, #10 X 5/8" LG .....	2
15	616671		FLAT WASHER, 8MM .....	2
16	71274G02		BACK REST ASSEMBLY (BLACK) (INCLUDES ITEMS 17 - 21).....	1
17	644269		SEAT BACK BASE .....	1
18	25433G4		SEAT BACK FOAM .....	1
19	74889G01		SEAT BACK VINYL .....	1
20	18144G3		SEAT BACK COVER PLASTIC.....	1
21	01107G01		PAN HEAD TORX SCREW (SS), #8 X 5/8" LG.....	4
22	628943		FLIP SEAT WARNING LABEL .....	1

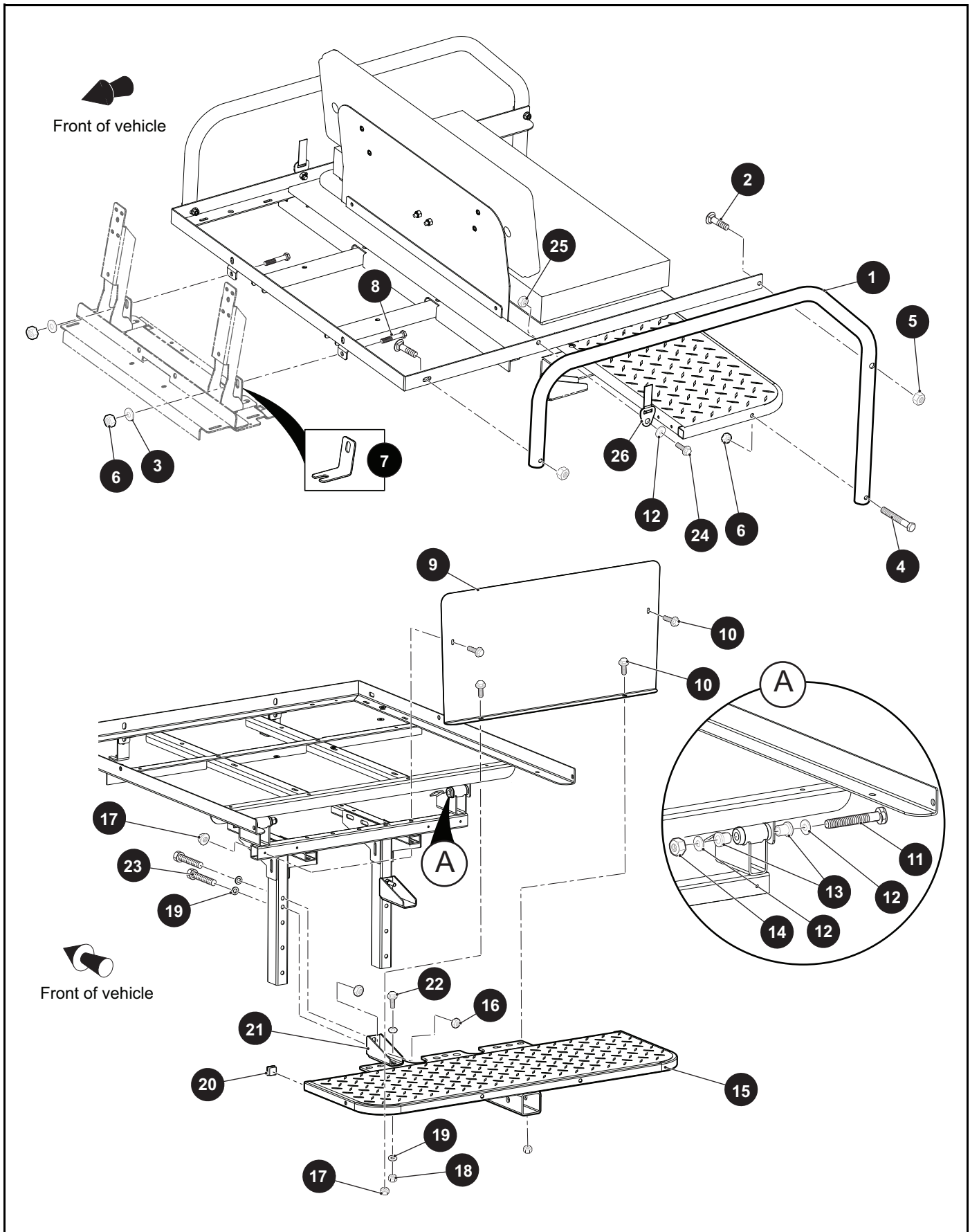
# SEATING



THE USE OF NON U.L. PARTS WILL VOID ANY U.L. LISTING.  
 When ordering parts, please specify the model and serial number of the product.  
 \* Indicates a component that is not available as an individual part.  
 \*\*\* Indicates consult Customer Service Department for additional information.

ITEM	PART NO.	1 2 3 4 5	DESCRIPTION	QTY.
1	649134		SEAT BELT RETRACTOR .....	2
2				
3	00734G3		LOCK NUT, 7/16" - 20 .....	4
4	610753		FLANGED HEX HEAD BOLT, 7/16" - 20 X 1" LG .....	2
5				
6	*		D-RING .....	2
7	*		D-RING COVER.....	2
8	605969		HEX HEAD BOLT, 7/16" - 20 X 2 3/4" LG .....	2
9	74099G01		BED LATCH WARNING LABEL.....	1

# SEATING



THE USE OF NON U.L. PARTS WILL VOID ANY U.L. LISTING.

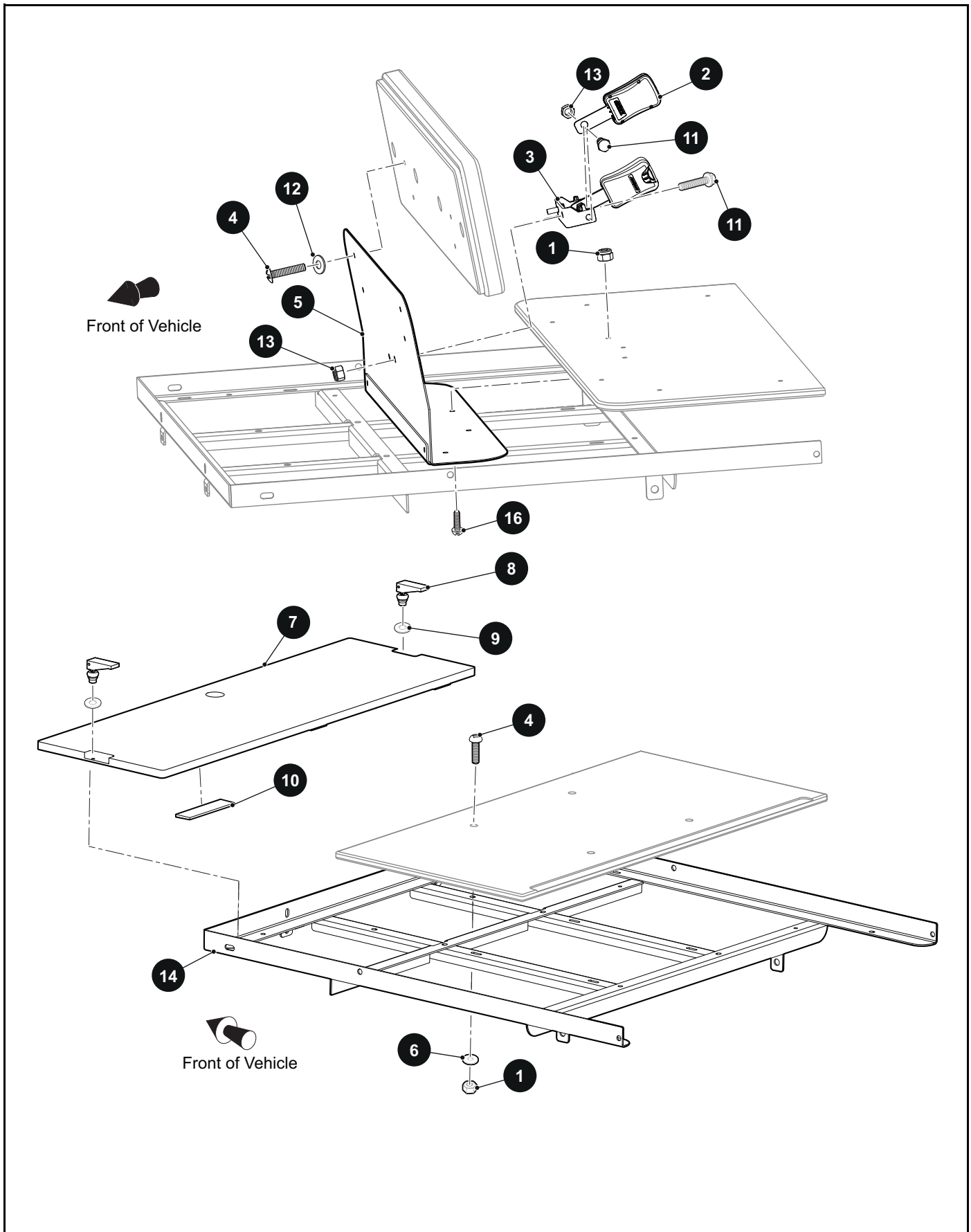
When ordering parts, please specify the model and serial number of the product.

\* Indicates a component that is not available as an individual part.

\*\*\* Indicates consult Customer Service Department for additional information.

ITEM	PART NO.	1 2 3 4 5	DESCRIPTION	QTY.
1	627783		FULL FLIP SEAT ARMREST.....	2
2	630673		CARRAIGE BOLT, 3/8" - 16 X 2.25" LG.....	4
3	00560G1		FLAT WASHER, 3/8".....	2
4	630674		HEX HEAD BOLT, 3/8" - 16 X 3.25" LG.....	2
5	630643		LOCK NUT, 3/8" - 16.....	4
6	11098G5		LOCK NUT, 3/8" - 16.....	8
7	642863		SEAT FRAME BRACKET.....	2
8	00427G2		HEX HEAD BOLT, 3/8" - 16 X 1.25" LG.....	2
9	633131		CLOSE OUT PANEL.....	1
10	606264		FLANGED HEX HEAD BOLT, M6 - 1 X 20MM LG.....	4
11	311398		HEX HEAD BOLT, 1/2" - 13 X 3 1/2" LG.....	2
12	00560G3		FLAT WASHER, 3/8".....	6
13	624030		FLANGE BUSHING.....	4
14	14390G6		LOCK NUT, 1/2" - 13.....	2
15	632727		FOOTBOARD WELDMENT.....	1
16	11098G5		LOCK NUT, 3/8" - 16.....	4
17	601476		LOCK NUT, M6 - 1.....	4
18	00734G1		LOCK NUT, 7/16" - 14.....	2
19	00560G2		FLAT WASHER, 3/8".....	8
20	19853G1		TUBE CAP, 1".....	2
21	632262		FOOTREST SUPPORT BRACKET.....	2
22	00463G4		FLANGED HEX HEAD BOLT, 7/16" - 14 X 1 1/2" LG.....	2
23	630674		HEX HEAD BOLT, 3/8" - 16 X 3.25" LG.....	4
24	610753		FLANGED HEX HEAD BOLT, 7/16" - 20 X 1" LG.....	2
25	00734G3		LOCK NUT, 7/16" - 14.....	2
26	610756		BELT ATTACH PLATE.....	2

# SEATING





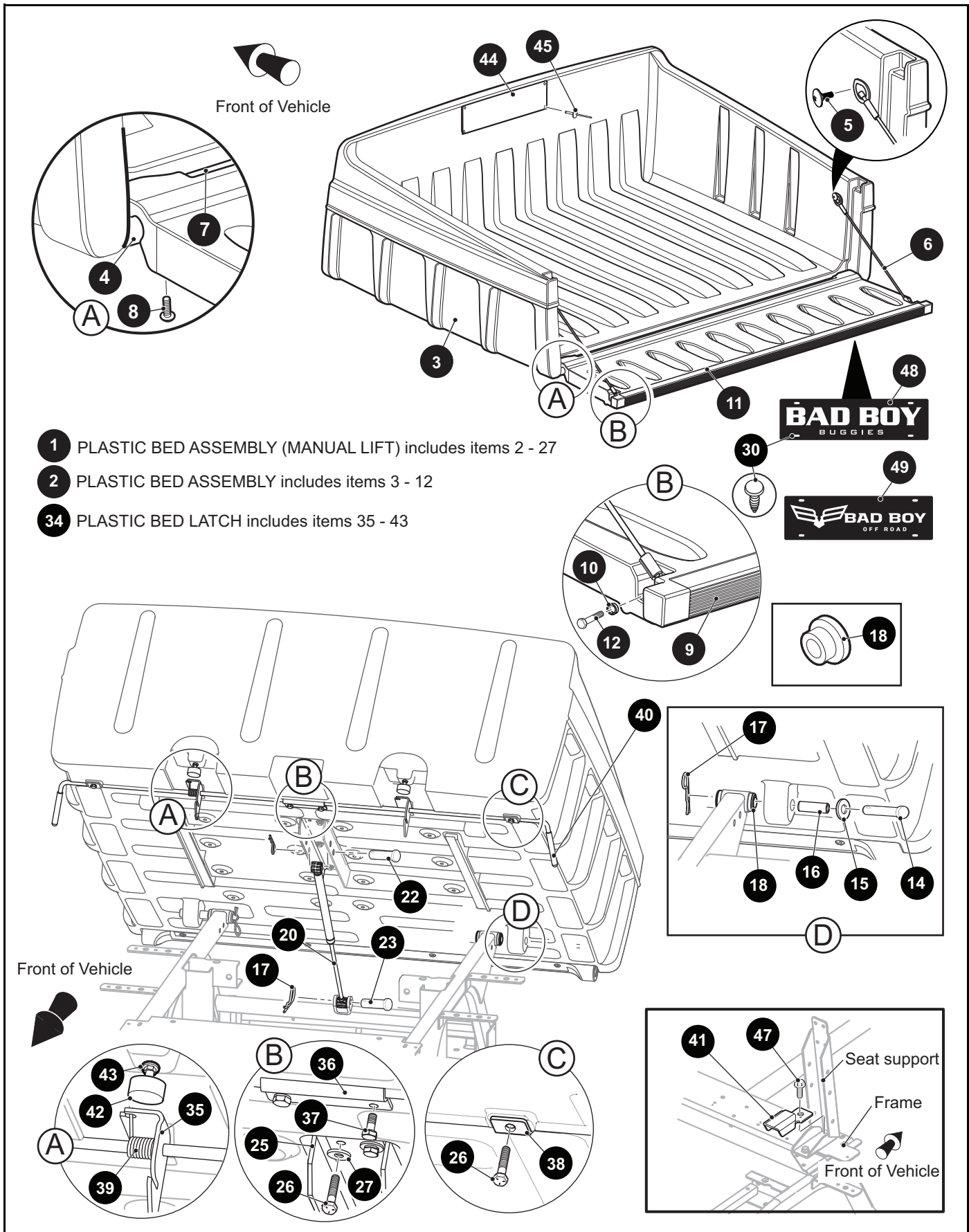
THE USE OF NON U.L. PARTS WILL VOID ANY U.L. LISTING.  
 When ordering parts, please specify the model and serial number of the product.  
 \* Indicates a component that is not available as an individual part.  
 \*\*\* Indicates consult Customer Service Department for additional information.

ITEM	PART NO.	1 2 3 4 5	DESCRIPTION	QTY.
1	14390G4		LOCK NUT, 1/4" - 20 .....	8
2	609854		SEAT BELT LATCH BUCKLE, 6" .....	2
3	609787		REAR SEAT BELT BRACKET .....	1
4	16705G9		TRUSS HEAD PHILLIPS SCREW (SS), 1/4" - 20 X 1.25" LG.....	8
5	627804		SEAT BACK WELDMENT.....	1
6	01110G01		FLAT WASHER, 1/4" .....	4
7	637994		SWING DECK BOARD FILLER.....	1
8	638060		SWELL LATCH.....	2
9	00793G2		FLAT WASHER (SS), 1/4".....	2
10	640577		RUBBER PAD .....	6
11	610753		FLANGED HEX HEAD BOLT, 7/16" - 20 X 1" LG .....	4
12	00664G7		LOCK WASHER, 1/4" .....	4
13	00734G3		LOCK NUT, 7/16" - 20.....	4
14	640259		SEAT FRAME .....	1
15				
16	16705G1		TRUSS HEAD PHILLIPS SCREW (SS), 1/4" - 20 X 1" LG.....	4





# TRUCKBED



THE USE OF NON U.L. PARTS WILL VOID ANY U.L. LISTING.  
 When ordering parts, please specify the model and serial number of the product.  
 \* Indicates a component that is not available as an individual part.  
 \*\*\* Indicates consult Customer Service Department for additional information.

ITEM	PART NO.	1 2 3 4 5	DESCRIPTION	QTY.
1	633441		PLASTIC BED ASSEMBLY (MANUAL LIFT) (INCLUDES ITEMS 2 - 27) .....	1
2	73451G01		PLASTIC BED ASSEMBLY (INCLUDES ITEMS 3 - 12).....	1
3	*		PLASTIC BED, 40" LG.....	1
4	73454G01		TAILGATE PIVOT SHAFT.....	2
5	73460G01		SHOULDER BOLT, 1/4" - 20 X 3/4" LG.....	2
6	73455G01		TAILGATE CABLE .....	2
7	73450G01		ANGLE .....	1
8	16705G2		PAN HEAD SCREW (SS), 1/4" - 20 X 5/8" LG.....	4
9	73449G01		EXTRUSION CHANNEL .....	1
10	71541G01		TAILGATE CABLE SPACER.....	2
11	73448G01		PLASTIC TAILGATE, 40" .....	1
12	00415G2		HEX HEAD BOLT, 1/4" - 20 X 1 1/4" LG .....	2
13				
14	71571G01		CLEVIS PIN, .75" O.D. X 5.25" LG.....	2
15	00571G5		FLAT WASHER, 5/16" .....	2
16	71570G01		ACETAL BUSHING, 1/2" X 2.3" LG .....	2
17	21683G1		COTTER PIN, .8" X 2.9" LG .....	4
18	624030		FLANGED BUSHING, 28.7MM O.D. X 13.4MM I.D. X 23.7MM LG.....	4
19				
20	71537G02		GAS SPRING .....	1
21				
22	14443G10		CLEVIS PIN, 1/2" X 3" LG .....	1
23	14443G12		CLEVIS PIN, 1/2" X 2.22" LG .....	1
24				
25	633245		GAS SPRING CHANNEL .....	1
26	01118G01		HEX HEAD BOLT (WITH PATCH LOCK), 1/4" - 20 X .77" LG .....	10
27	00642G7		FLAT WASHER, 1/4" .....	6
28				
29				
30	16816G2		RATCHET RIVET, .25" X .887" .....	4
31				

# TRUCKBED

THE USE OF NON U.L. PARTS WILL VOID ANY U.L. LISTING.

When ordering parts, please specify the model and serial number of the product.

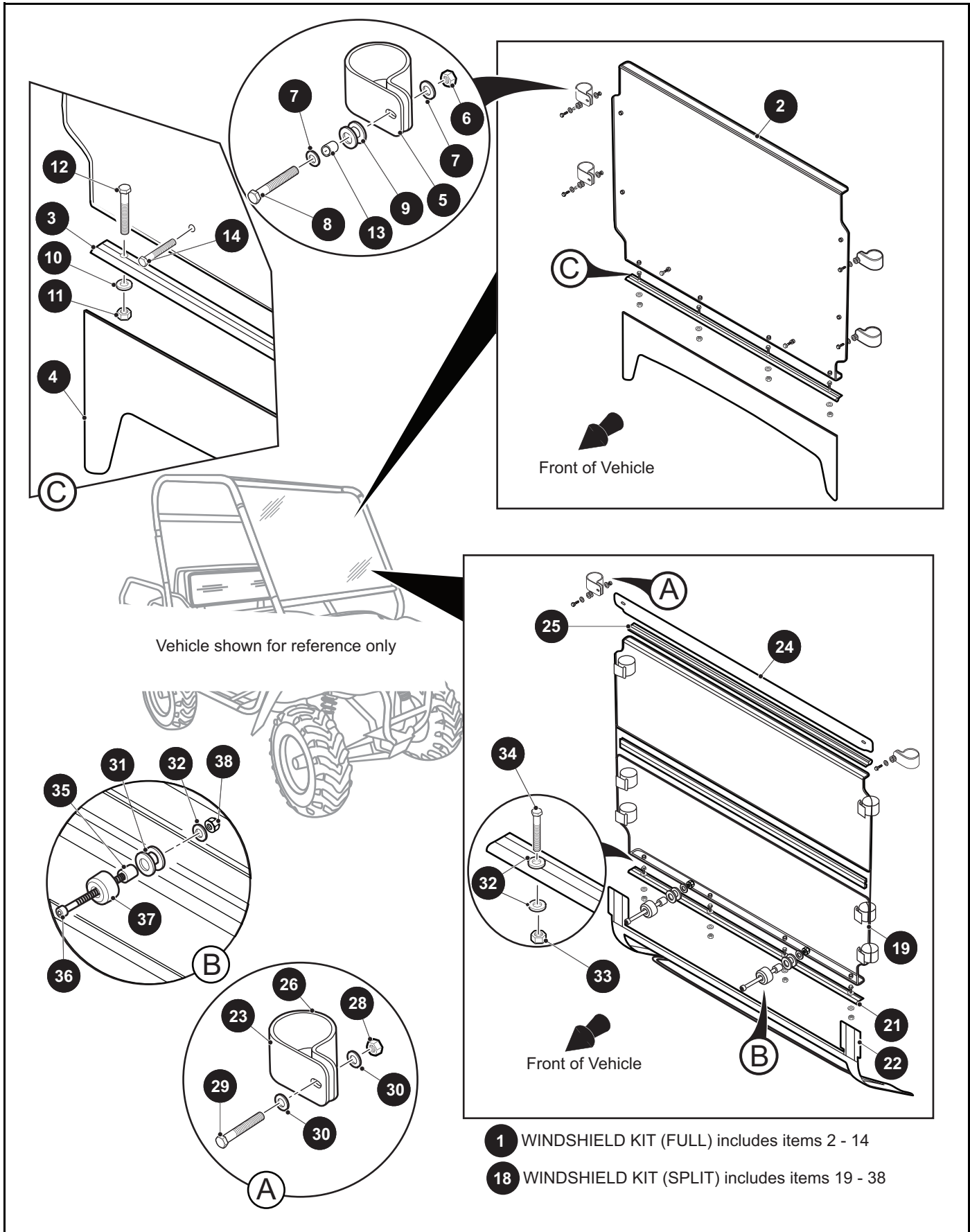
\* Indicates a component that is not available as an individual part.

\*\*\* Indicates consult Customer Service Department for additional information.

ITEM	PART NO.	1	2	3	4	5	DESCRIPTION	QTY.
32								
33								
34	71095G03						PLASTIC BED LATCH (INCLUDES ITEMS 35 - 43).....	1
35	633698						BED LATCH .....	1
36	652440G03						RETAINER BRACKET .....	1
37	01118G01						HEX HEAD BOLT, 1/4" - 20 X .77" LG .....	4
38	652442G03						LATCH PLATE .....	2
39	71538G01						BED LATCH TORSION SPRING .....	1
40	71704G01						HANDLE GRIP .....	2
41	633679						BED BUMPER BRACKET .....	2
42	70113G01						ADJUSTABLE RUBBER BUMPER.....	2
43	11027G1						FLANGED LOCK NUT, 5/16" - 18.....	2
44	74821G01						PLASTIC BED LOAD LABEL, 500 LB.....	1
45	71055G01						RIVET, 3/16"" .....	4
46								
47	01006G01						FLANGED HEX HEAD BOLT, 3/8" - 16 X 1.25" LG.....	2
48	617804						TAILGATE DECAL (FOR VEHICLES MANUFACTURED UNTIL 18 SEPTEMBER 2016) .....	1
49	655660						TAILGATE DECAL (FOR VEHICLES MANUFACTURED FROM 19 SEPTEMBER 2016).....	1



# WEATHER PROTECTION





# WEATHER PROTECTION

THE USE OF NON U.L. PARTS WILL VOID ANY U.L. LISTING.

When ordering parts, please specify the model and serial number of the product.

\* Indicates a component that is not available as an individual part.

\*\*\* Indicates consult Customer Service Department for additional information.

ITEM	PART NO.	1 2 3 4 5	DESCRIPTION	QTY.
1	627079		WINDSHIELD KIT (FULL) (INCLUDES ITEMS 2 - 14).....	1
2	*		WINDSHIELD .....	1
3	*		AWNING MOLDING (ALUMINUM).....	1
4	*		TEXTILE SKIRT PLACEHOLDER.....	1
5	*		PLASTIC CLAMP .....	4
6	*		HEX NUT .....	6
7	*		FLAT WASHER .....	12
8	*		HEX HEAD BOLT .....	4
9	*		WINDSHIELD GROMMET .....	6
10	*		FLAT WASHER .....	8
11	*		HEX NUT .....	4
12	*		HEX HEAD BOLT .....	4
13	*		CRUSH SLEEVE .....	6
14	*		HEX HEAD BOLT .....	2
15				
16				
17				
18	627080		WINDSHIELD KIT (SPLIT) (INCLUDES ITEMS 19 - 38).....	1
19	*		WINDSHIELD .....	1
20				
21	*		AWNING MOLDING (ALUMINUM).....	1
22	*		TEXTILE SKIN PLACEHOLDER.....	1
23	*		PLASTIC CLAMP .....	2
24	*		UPPER METAL SEAL .....	1
25	*		UNIGRIP.....	1
26	*		TEXTILE STRAP .....	6
27				
28	*		HEX NUT .....	2
29	*		HEX HEAD BOLT .....	2
30	*		FLAT WASHER .....	4
31	*		GROMMET .....	2

# WEATHER PROTECTION

THE USE OF NON U.L. PARTS WILL VOID ANY U.L. LISTING.

When ordering parts, please specify the model and serial number of the product.

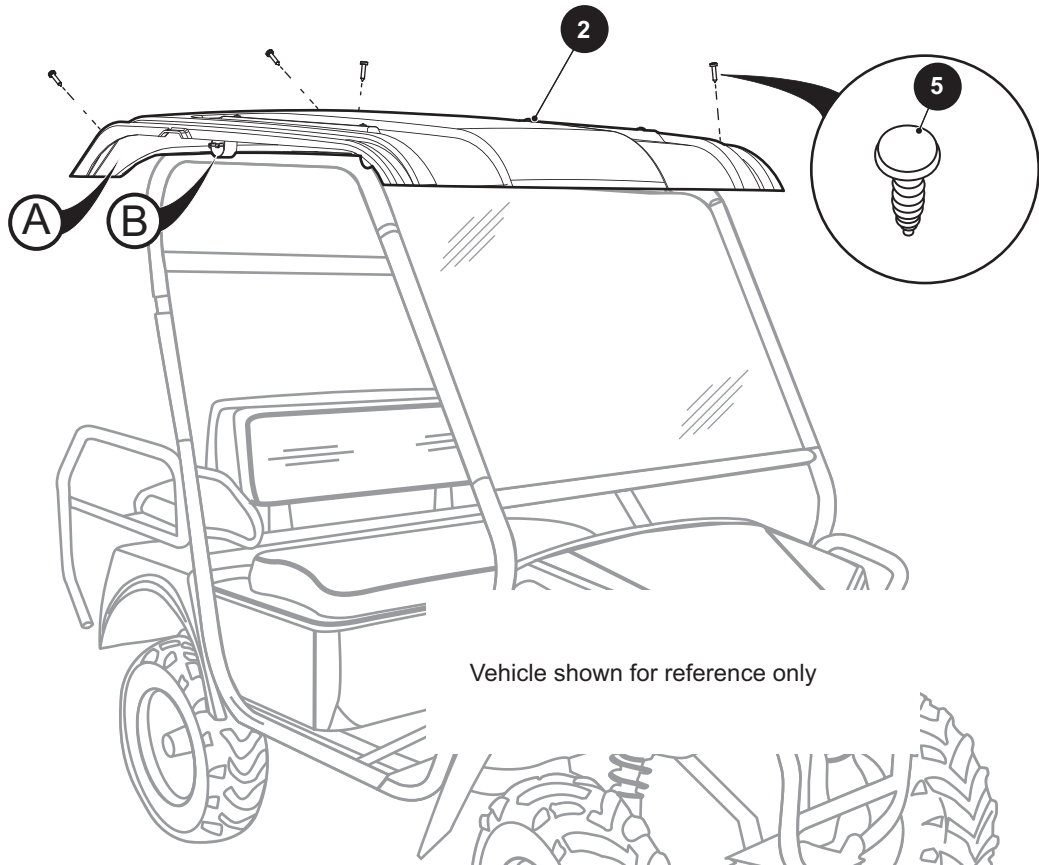
\* Indicates a component that is not available as an individual part.

\*\*\* Indicates consult Customer Service Department for additional information.

ITEM	PART NO.	1	2	3	4	5	DESCRIPTION	QTY.
32	*						FLAT WASHER .....	10
33	*						HEX NUT .....	4
34	*						HEX HEAD BOLT.....	4
35	*						CRUSH SLEEVE .....	2
36	*						SOCKET HEAD BOLT .....	2
37	*						BUMPER.....	2
38	*						HEX NUT .....	2

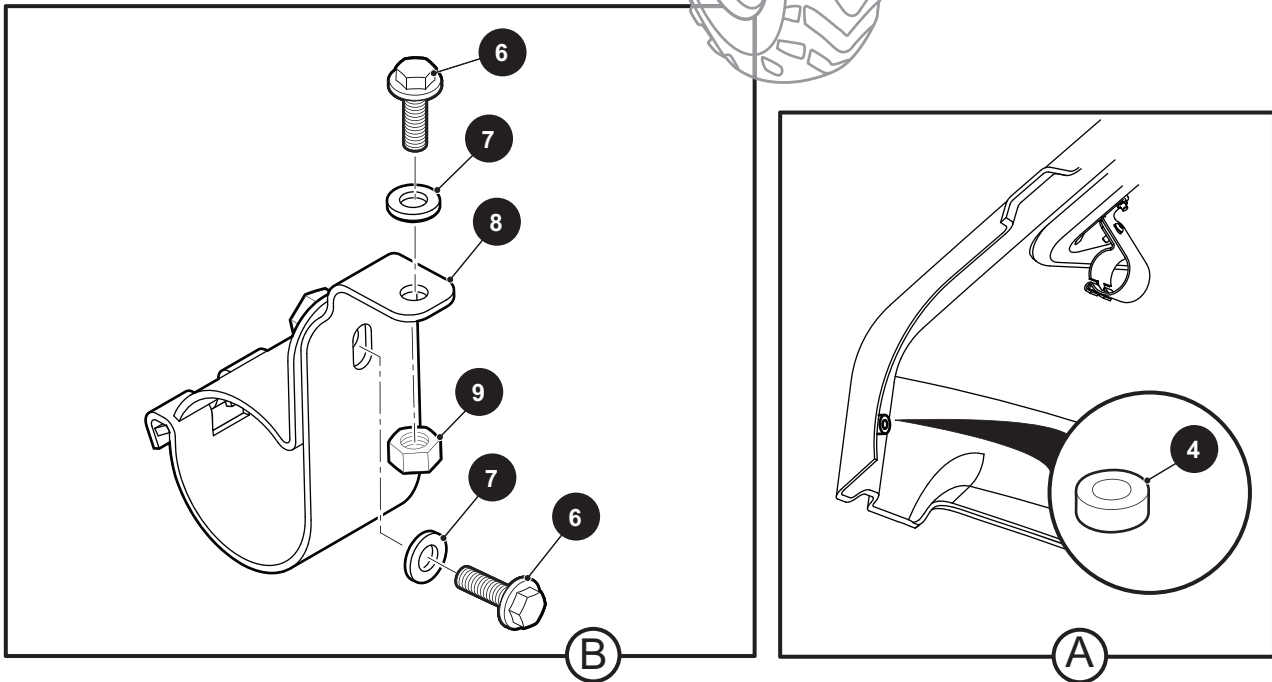


# WEATHER PROTECTION



1 BAD BOY TOP KIT includes items 2, 3

3 CANOPY TOP HARDWARE KIT includes items 4 - 9



# WEATHER PROTECTION

THE USE OF NON U.L. PARTS WILL VOID ANY U.L. LISTING.  
 When ordering parts, please specify the model and serial number of the product.  
 \* Indicates a component that is not available as an individual part.  
 \*\*\* Indicates consult Customer Service Department for additional information.

ITEM	PART NO.	1 2 3 4 5	DESCRIPTION	QTY.
1	628584		BAD BOY TOP KIT, 43" LG (INCLUDES ITEMS 2, 3).....	1
2	627077		CANOPY TOP .....	1
3	628585		CANOPY TOP HARDWARE KIT (INCLUDES ITEMS 4 - 9).....	1
4	*		RUBBER SPACER.....	4
5	*		CHRISTMAS TREE PUSH RIVET.....	4
6	*		FLANGED HEX HEAD BOLT, M6 - 1 X 20MM LG.....	8
7	*		FLAT WASHER, 1/4" .....	12
8	*		CLAMP (2 PIECE).....	4
9	*		HEX NUT, M6 - 1.....	4

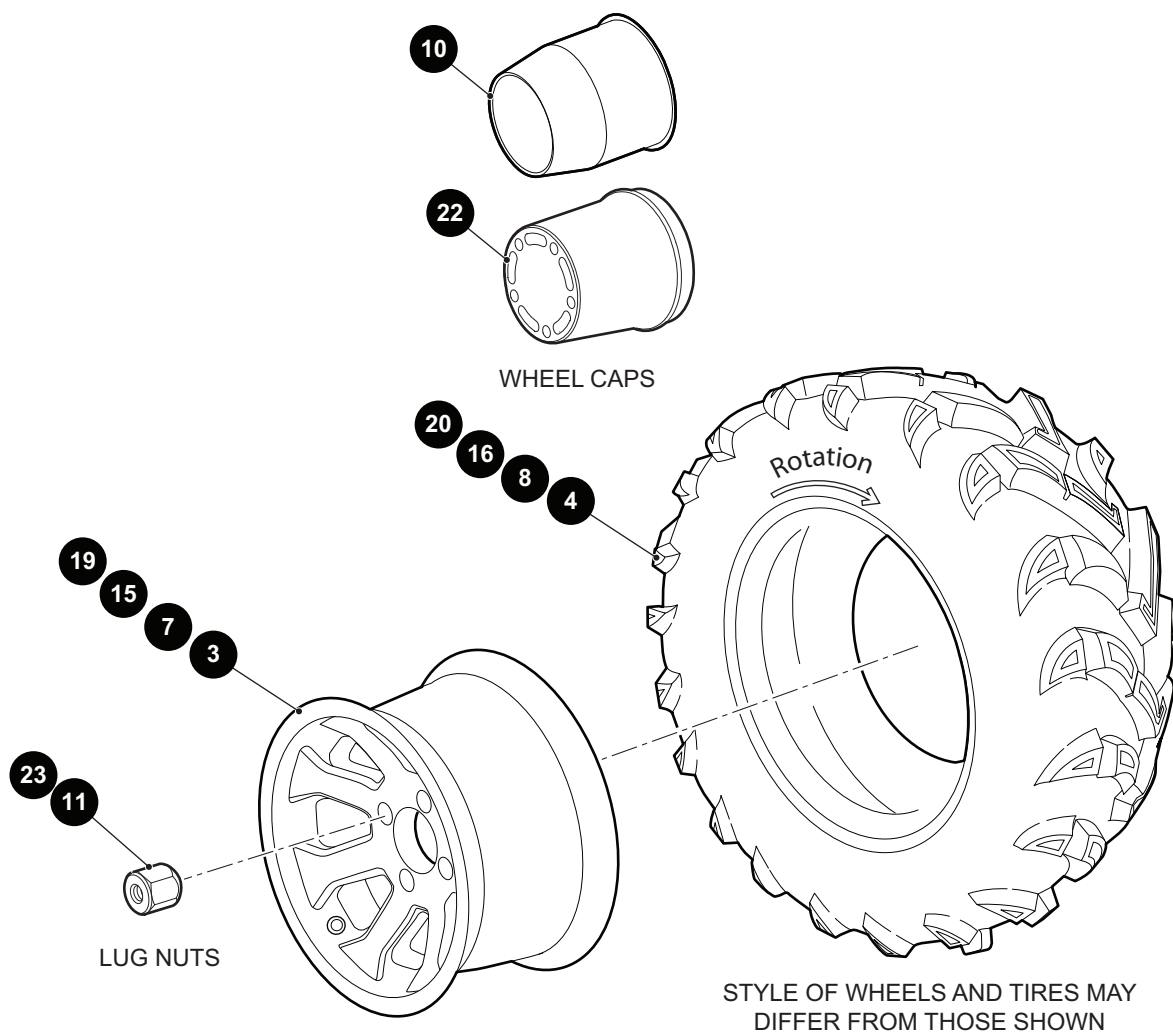


Notes:

Large grid area for taking notes.

# WHEELS AND TIRES

- 1 WHEEL AND TIRE ASSEMBLY, FRONT (PASSENGER SIDE) includes items 3, 4
- 2 WHEEL AND TIRE ASSEMBLY, FRONT (DRIVER SIDE) includes items 3, 4
- 5 WHEEL AND TIRE ASSEMBLY, REAR (PASSENGER SIDE) includes items 7, 8
- 6 WHEEL AND TIRE ASSEMBLY, REAR (DRIVER SIDE) includes items 7, 8
- 13 WHEEL AND TIRE ASSEMBLY, FRONT (PASSENGER SIDE) includes items 15, 16
- 14 WHEEL AND TIRE ASSEMBLY, FRONT (DRIVER SIDE) includes items 15, 16
- 17 WHEEL AND TIRE ASSEMBLY, REAR (PASSENGER SIDE) includes items 19, 20
- 18 WHEEL AND TIRE ASSEMBLY, REAR (DRIVER SIDE) includes items 19, 20





# WHEELS AND TIRES

THE USE OF NON U.L. PARTS WILL VOID ANY U.L. LISTING.

When ordering parts, please specify the model and serial number of the product.

\* Indicates a component that is not available as an individual part.

\*\*\* Indicates consult Customer Service Department for additional information.

ITEM	PART NO.	1 2 3 4 5	DESCRIPTION	QTY.
1	639548		WHEEL AND TIRE ASSEMBLY, FRONT (PASSENGER SIDE) (INCLUDES ITEMS 3, 4).....	1
2	639550		WHEEL AND TIRE ASSEMBLY, FRONT (DRIVER SIDE) (INCLUDES ITEMS 3, 4).....	1
3	631041		WHEEL (STEEL), 12" X 7" .....	1
4	639540		TIRE (KENDA 590), 25" X 8" - 12" .....	1
5	639549		WHEEL AND TIRE ASSEMBLY, REAR (PASSENGER SIDE) (INCLUDES ITEMS 7, 8).....	1
6	639551		WHEEL AND TIRE ASSEMBLY, REAR (DRIVER SIDE) (INCLUDES ITEMS 7, 8).....	1
7	631041		WHEEL (STEEL), 12" X 7" .....	1
8	639541		TIRE (KENDA 590), 25" X 11" - 12" .....	1
9				
10	630268		CENTER CAP (BLACK).....	4
11	14723G1		LUG NUT, 1/2" - 20 .....	16
12				
13	639556		WHEEL AND TIRE ASSEMBLY, FRONT (PASSENGER SIDE) (INCLUDES ITEMS 15, 16).....	1
14	639558		WHEEL AND TIRE ASSEMBLY, FRONT (DRIVER SIDE) (INCLUDES ITEMS 15, 16).....	1
15	616116		WHEEL (BLACK ALUMINUM) .....	1
16	639540		TIRE (KENDA 590), 25" X 8" - 12 .....	1
17	639557		WHEEL AND TIRE ASSEMBLY, REAR (PASSENGER SIDE) (INCLUDES ITEMS 19, 20).....	1
18	639559		WHEEL AND TIRE ASSEMBLY, REAR (DRIVER SIDE) (INCLUDES ITEMS 19, 20).....	1
19	616116		WHEEL (BLACK ALUMINUM) .....	1
20	639541		TIRE (KENDA 590).....	1
21				
22	630106		CENTER WHEEL CAP (BLACK ALUMINUM).....	4
23	616823		LUG NUT (BLACK), 1/2" - 20.....	16







**Textron Specialized Vehicles, Inc.**  
1451 Marvin Griffin Road  
Augusta, Georgia 30906-3852 USA

CONTACT US:

North America:

**Technical Assistance & Warranty**  
**Service Parts**

Phone: 1-800-774-3946, FAX: 1-800-448-8124

Phone: 1-888-438-3946, FAX: 1-800-752-6175

International:

Phone: 001-706-798-4311, FAX: 001-706-771-4609

Service Parts Manuals, as well as Repair and Service Manuals  
are available from a local Distributor, an authorized Branch,  
Parts & Accessories Department or at [www.badboyoffroad.com](http://www.badboyoffroad.com).

Copyrighted Material

This manual may not be reproduced in whole  
or in part without the express permission of  
TSV Technical Communications Department