



RXV FLEET  
FREEDOM<sup>®</sup>  
SHUTTLE<sup>™</sup> 2+2

ISSUED FEBRUARY 2008



A Textron Company

# SAFETY

For any questions on material contained in this manual, contact an authorized representative for clarification.

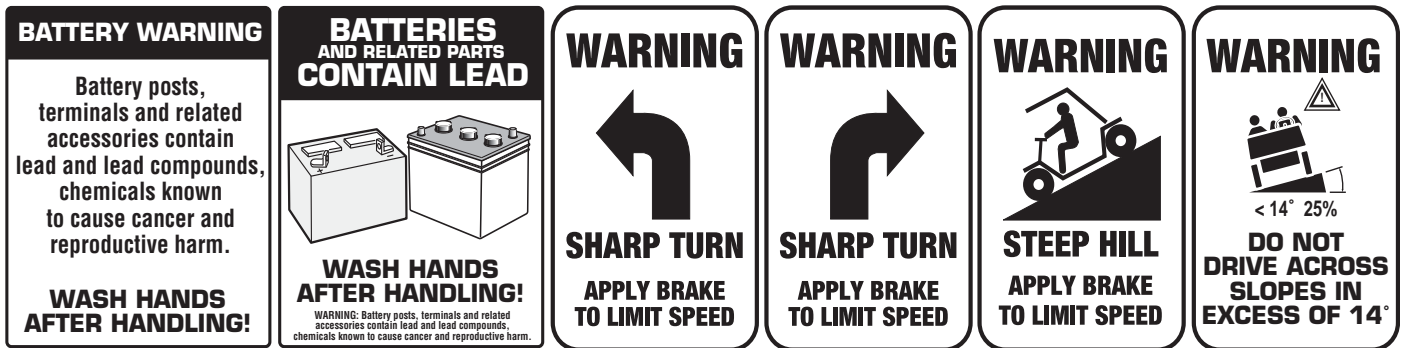
Read and understand all labels located on the vehicle. Always replace any damaged or missing labels.

On steep hills it is possible for vehicles to coast at greater than normal speeds encountered on a flat surface. To prevent loss of vehicle control and possible serious injury, speeds should be limited to no more than the maximum speed on level ground. See GENERAL SPECIFICATIONS. Limit speed by applying the service brake.

Catastrophic damage to the drivetrain components due to excessive speed may result from driving the vehicle above specified speed. Damage caused by excessive speed may cause a loss of vehicle control, is costly, is considered abuse and will not be covered under warranty.

For towing/transporting vehicle, refer to "TRANSPORTING VEHICLE".

Signs similar to the ones illustrated should be used to warn of situations that could result in an unsafe condition.



Be sure that this manual remains as part of the permanent service record should the vehicle be sold.

Throughout this guide **NOTE**, **CAUTION**, **WARNING** and **DANGER** will be used.

## NOTE

A **NOTE** indicates a condition that should be observed.

## CAUTION

A **CAUTION** indicates a condition that may result in damage to the vehicle.

## WARNING

A **WARNING** indicates a hazardous condition that could result in severe injury or death.

## DANGER

A **DANGER** indicates a hazardous situation that could result in death or serious injury.

Observe these **NOTES**, **CAUTIONS**, **WARNINGS** & **DANGERS**; be aware that servicing a vehicle requires mechanical skill and a regard for conditions that could be hazardous. Improper service or repair may damage the vehicle or render it unsafe.

## WARNING

Engine exhaust from this product contains chemicals known, in certain quantities, to cause cancer, birth defects, or other reproductive harm.

## NOTE

The exhaust emissions of this vehicles' engine complies with regulations set forth by the Environmental Protection Agency (EPA) of the United States of America (USA) at time of manufacture. Significant fines could result from modifications or tampering with the engine, fuel, ignition or air intake systems.

## WARNING

Battery posts, terminals and related accessories contain lead and lead compounds. Wash hands after handling.

## NOTE

This spark ignition system meets all requirements of the Canadian Interference-Causing Equipment Regulations.

Ce système d'allumage par étincelle de véhicule respecte toutes les exigences du Règlement sur le matériel brouilleur du Canada.

**(NOTES, CAUTIONS AND WARNINGS CONTINUED ON INSIDE OF BACK COVER)**

# OWNER'S MANUAL AND SERVICE GUIDE

## GASOLINE POWERED FLEET GOLF CARS

RXV GOLF CAR

**STARTING MODEL YEAR 2008**

**ISSUED OCTOBER 2007**

**REVISED FEBRUARY 2008**

E-Z-GO Division of TEXTRON, Inc. reserves the right to make design changes without obligation to make these changes on units previously sold and the information contained in this manual is subject to change without notice.

E-Z-GO Division of TEXTRON, Inc. is not liable for errors in this manual or for incidental or consequential damages that result from the use of the material in this manual.

### **TO CONTACT US**

#### **NORTH AMERICA:**

**TECHNICAL ASSISTANCE & WARRANTY PHONE: 1-800-774-3946, FAX: 1-800-448-8124**

**SERVICE PARTS PHONE: 1-888-GET-EZGO (1-888-438-3946), FAX: 1-800-752-6175**

#### **INTERNATIONAL:**

**PHONE: 001-706-798-4311, FAX: 001-706-771-4609**

**E-Z-GO DIVISION OF TEXTRON, INC., 1451 MARVIN GRIFFIN ROAD, AUGUSTA, GEORGIA USA 30906-3852**

## GENERAL INFORMATION

The use of non Original Equipment Manufacturer (OEM) approved parts may void the warranty.

Overfilling the battery may void the warranty.

Tampering with or adjusting the governor to permit vehicle to operate at above factory specifications will void the vehicle warranty.

When servicing engines, all adjustments and replacement components must be per original vehicle specifications in order to maintain the United States of America Federal and State emission certification applicable at the time of manufacture.

### BATTERY PROLONGED STORAGE

All batteries will self discharge over time. The rate of self discharge varies depending on the ambient temperature and the age and condition of the batteries.

A fully charged battery will not freeze in winter temperatures unless the temperature falls below -75° F (-60° C).

SECTION TITLE	PAGE NO.
SAFETY .....	Inside Covers
GENERAL INFORMATION .....	ii
SAFETY INFORMATION .....	v]
VEHICLE LABELS AND PICTOGRAMS .....	ix
SERIAL NUMBER LOCATION .....	1
BEFORE INITIAL USE.....	2
<b>CONTROLS AND INDICATORS.....</b>	<b>2</b>
KEY SWITCH.....	3
DIRECTION SELECTOR .....	3
ACCELERATOR PEDAL.....	3
COMBINATION SERVICE BRAKE & PARK BRAKE PEDAL .....	3
CHOKE .....	3
FUEL GAUGE.....	3
LOW OIL PRESSURE INDICATOR .....	3
HEADLIGHT SWITCH.....	4
TURN SIGNAL SWITCH .....	4
HORN .....	4
<b>OPERATING THE VEHICLE.....</b>	<b>4</b>
RUN-IN .....	5
COLD STARTING .....	5
STARTING AND DRIVING.....	5
STARTING VEHICLE ON A HILL.....	6
COASTING .....	6
FUEL.....	6
BATTERY .....	7
STARTING A VEHICLE WITH A DISCHARGED BATTERY .....	7
LABELS AND PICTOGRAMS .....	7
SUN TOP AND WINDSHIELD .....	7
<b>VEHICLE CLEANING &amp; CARE.....</b>	<b>7</b>
VEHICLE CLEANING.....	7
<b>REPAIR.....</b>	<b>8</b>
LIFTING THE VEHICLE .....	9
<b>WHEELS AND TIRES .....</b>	<b>9</b>
TIRE REPAIR.....	9
WHEEL INSTALLATION .....	10
<b>LIGHT BULB REPLACEMENT .....</b>	<b>10</b>
HEADLIGHT BULB REPLACEMENT.....	10
TURN SIGNAL BULB REPLACEMENT .....	11
TAIL LIGHT/BRAKE LIGHT BULB REPLACEMENT.....	11
<b>TRANSPORTING THE VEHICLE .....</b>	<b>11</b>
TOWING .....	11
NEUTRAL LOCK.....	12
HAULING .....	12

# TABLE OF CONTENTS

<b>SECTION TITLE</b>	<b>PAGE NO.</b>
<b>SERVICE AND MAINTENANCE</b> .....	<b>13</b>
PERIODIC SERVICE SCHEDULE.....	13
CAPACITIES AND REPLACEMENT PARTS.....	14
HARDWARE.....	15
TIRE INSPECTION.....	16
REAR AXLE .....	16
CHECKING THE LUBRICANT LEVEL.....	16
CHECKING THE OIL LEVEL.....	16
CHANGING THE OIL.....	17
AIR CLEANER INSPECTION AND REPLACEMENT .....	19
CLEANING THE AIR FILTER ELEMENT.....	19
STARTER/GENERATOR BELT TENSION .....	20
ADJUSTING THE BELT .....	20
COOLING SYSTEM CLEANING.....	20
SPARK PLUG.....	21
CLEANING THE BATTERY .....	21
BATTERY REMOVAL AND INSTALLATION .....	21
<b>PERIODIC BRAKE PERFORMANCE TEST</b> .....	<b>25</b>
<b>GENERAL SPECIFICATIONS</b> .....	<b>27</b>
RXV GAS - FLEET VEHICLE SPECIFICATIONS.....	28
RXV GAS - FREEDOM VEHICLE SPECIFICATIONS .....	29
RXV GAS - SHUTTLE 2 + 2 VEHICLE SPECIFICATIONS.....	30
<b>WARRANTY</b> .....	<b>35</b>
<b>DECLARATION OF CONFORMITY (EUROPE ONLY)</b> .....	<b>41</b>

# SAFETY INFORMATION

Read all of this manual to become thoroughly familiar with this vehicle. Pay particular attention to all Notes, Cautions and Warnings.

This manual has been designed to assist in maintaining the vehicle in accordance with procedures developed by the manufacturer. Adherence to these procedures and troubleshooting tips will ensure the best possible service from the product. To reduce the chance of personal injury or property damage, the following must be carefully observed:



## CAUTION

*Certain replacement parts can be used independently and/or in combination with other accessories to modify an E-Z-GO-manufactured vehicle to permit the vehicle to operate at or in excess of 20mph. When an E-Z-GO-manufactured vehicle is modified in any way by the Distributor, Dealer or customer to operate at or in excess of 20mph, UNDER FEDERAL LAW the modified product will be a Low Speed Vehicle (LSV) subject to the strictures and requirements of Federal Motor Vehicle Safety Standard 571.500. In these instances, pursuant to Federal law the Distributor or Dealer MUST equip the product with headlights, rear lights, turn signals, seat belts, top, horn and all other modifications for LSV's mandated in FMVSS 571.500, and affix a Vehicle Identification Number to the product in accordance with the requirements of FMVSS 571.565. Pursuant to FMVSS 571.500, and in accordance with the State laws applicable in the places of sale and use of the product, the Distributor, Dealer or customer modifying the vehicle also will be the Final Vehicle Manufacturer for the LSV, and required to title or register the vehicle as mandated by State law.*

E-Z-GO will NOT approve Distributor, Dealer or customer modifications converting E-Z-GO products into LSV's.

The Company, in addition, recommends that all E-Z-GO products sold as personal transportation vehicles BE OPERATED ONLY BY PERSONS WITH VALID DRIVERS LICENSES, AND IN ACCORDANCE WITH APPLICABLE STATE REQUIREMENTS. This restriction is important to the SAFE USE AND OPERATION of the product. On behalf of E-Z-GO, I am directing that E-Z-GO Branch personnel, Distributors and Dealers advise all customers to adhere to this SAFETY RESTRICTION, in connection with the use of all products, new and used, the Distributor or Dealer has reason to believe may be operated in personal transportation applications.

Information on FMVSS 571.500 can be obtained at Title 49 of the Code of Federal Regulations, section 571.500, or through the Internet at the website for the U.S. Department of Transportation - at Dockets and Regulation, then to Title 49 of the Code of Federal Regulations (Transportation)

## GENERAL

Many vehicles are used for a variety of tasks beyond the original intended use of the vehicle; therefore, it is impossible to anticipate and warn against every possible combination of circumstances that may occur. No warnings can take the place of good common sense and prudent driving practices.

Good common sense and prudent driving practices do more to prevent accidents and injury than all of the warnings and instructions combined. The manufacturer strongly suggests that all users and maintenance personnel read this entire manual paying particular attention to the CAUTIONS and WARNINGS contained therein.

If you have any questions regarding this vehicle, contact your closest representative or write to the address on the back cover of this publication, Attention: Customer Care Department.

The manufacturer reserves the right to make design changes without obligation to make these changes on units previously sold and the information contained in this manual is subject to change without notice.

The manufacturer is not liable for errors in this manual or for incidental or consequential damages that result from the use of the material in this manual.

This vehicle conforms to the current applicable standard(s) for safety and performance requirements.

These vehicles are designed and manufactured for off-road use only. They do not conform to Federal Motor Vehicle Safety Standards of the United States of America (USA) and are not equipped for operation on public streets. Some communities may permit these vehicles to be operated on their streets on a limited basis and in accordance with local ordinances.

Refer to GENERAL SPECIFICATIONS for vehicle seating capacity.

# SAFETY INFORMATION

*Read all of this manual to become thoroughly familiar with this vehicle. Pay particular attention to all Notes, Cautions and Warnings.*

**Never modify the vehicle in any way that will alter the weight distribution of the vehicle, decrease its stability or increase the speed beyond the factory specification. Such modifications can cause serious personal injury or death.** Modifications that increase the speed and/or weight of the vehicle will extend the stopping distance and may reduce the stability of the vehicle. Do not make any such modifications or changes. The manufacturer prohibits and disclaims responsibility for any such modifications or any other alteration which would adversely affect the safety of the vehicle.

Vehicles that are capable of higher speeds must limit their speed to no more than the speed of other vehicles when used in a golf course environment. Additionally, speed should be further moderated by the environmental conditions, terrain and common sense.

## GENERAL OPERATION

Always use the vehicle in a responsible manner and maintain the vehicle in safe operating condition.

Always read and observe all warnings and operation instruction labels affixed to the vehicle.

Always follow all safety rules established in the area where the vehicle is being operated.

Always reduce speed to compensate for poor terrain or conditions.

Always apply service brake to control speed on steep grades.

Always maintain adequate distance between vehicles.

Always reduce speed in wet areas.

Always use extreme caution when approaching sharp or blind turns.

Always use extreme caution when driving over loose terrain.

Always use extreme caution in areas where pedestrians are present.

## MAINTENANCE

Always maintain the vehicle in accordance with the manufacturer's periodic service schedule.

Always ensure that repairs are performed by those that are trained and qualified to do so.

Always follow the manufacturer's maintenance procedures for the vehicle. Be sure to disable the vehicle before performing any maintenance. Disabling includes removing the key from the key switch and removal of a battery wire.

Always insulate any tools used within the battery area in order to prevent sparks or battery explosion caused by shorting the battery terminals or associated wiring. Remove the batteries, or cover exposed terminals with an insulating material.

Always check the polarity of each battery terminal and be sure to rewire the batteries correctly.

Always use specified replacement parts. Never use replacement parts of lesser quality.

Always use recommended tools.

Always determine that tools and procedures not specifically recommended by the manufacturer will not compromise the safety of personnel nor jeopardize the safe operation of the vehicle.

Always support the vehicle using wheel chocks and jack stands. Never get under a vehicle that is supported by a jack. Lift the vehicle in accordance with the manufacturer's instructions.

Always maintain the vehicle in an area away from exposed flame or persons who are smoking.

Always be aware that a vehicle that is not performing as designed is a potential hazard and must not be operated.

Always test drive the vehicle after any repairs or maintenance. All tests must be conducted in a safe area that is free of both vehicular and pedestrian traffic.

Always replace damaged or missing warning, caution or information labels.

Always keep complete records of the maintenance history of the vehicle.



# SAFETY INFORMATION

*Read all of this manual to become thoroughly familiar with this vehicle. Pay particular attention to all Notes, Cautions and Warnings.*

The manufacturer cannot anticipate all situations, therefore people attempting to maintain or repair the vehicle must have the skill and experience to recognize and protect themselves from potential situations that could result in severe personal injury or death and damage to the vehicle. Use extreme caution and, if unsure as to the potential for injury, refer the repair or maintenance to a qualified mechanic.

## **VENTILATION**

Always store gasoline vehicles in a well ventilated area. Ventilation prevents gasoline fumes from accumulating.

Never fuel a vehicle in an area that is subject to flame or spark. Pay particular attention to natural gas or propane water heaters and furnaces.

Never work around or operate a vehicle in an environment that does not ventilate exhaust gases from the area. Carbon monoxide is a dangerous gas that can cause unconsciousness and is potentially lethal.



*Read all of this manual to become thoroughly familiar with this vehicle. Pay particular attention to all Notes, Cautions and Warnings.*

## LABELS & PICTOGRAMS

# LABELS & PICTOGRAMS

Read all of this manual to become thoroughly familiar with this vehicle. Pay particular attention to all Notes, Cautions and Warnings.

**⚠ WARNING** Failure to follow these instructions can result in **SERIOUS INJURY** or **DEATH**

**Except where PERMITTED BY LAW:** NEVER drive on public roads. • Drivers must possess a valid drivers license in accordance with local state law. 608528

**AVOID FALLS from the vehicle:** Do not start moving until all occupants are **PROPERLY SEATED** and **HOLDING ON**. • **KEEP** entire body **INSIDE VEHICLE** while moving.

**Reduce the RISK OF ACCIDENTS:** Always **DRIVE SLOWLY** in congested areas, on wet or loose terrain, and when backing up. • **DRIVE SLOWLY** when turning and **AVOID** sudden stops. **ALWAYS** drive straight up and down slopes. Do not coast, use **BRAKE** when going down a slope. • **NEVER** drive this vehicle under the influence of drugs or alcohol.

**This vehicle is NOT A TOY:** Drive responsibly. • **NEVER** leave children unattended or allow children to play on the vehicle. • **NEVER** leave the key in the vehicle when parked.

**DO NOT OVERLOAD this vehicle:** **NEVER** carry more than 2 occupants on each bench seat. • Do not exceed vehicle **WEIGHT CAPACITY** (see Owner's Manual).

**DO NOT MODIFY this vehicle:** **NEVER** alter this vehicle to increase travel speeds above factory specifications. • **ONLY** authorized E-Z-GO dealers should alter the vehicle using approved parts. • Alterations not approved or tested by E-Z-GO can create unsafe conditions and increase your chance of having an accident.

608528

**⚠ WARNING** Failure to follow these instructions can result in **SERIOUS INJURY** or **DEATH**

**Except where PERMITTED BY LAW:** To be operated by persons with valid drivers license, in accordance with state requirements. Operate from Driver's side only.

**Reduce the RISK OF ACCIDENTS:** For non-road use, and in designated areas only. Do not operate under the influence of drugs or alcohol.

**AVOID FALLS from the vehicle:** All occupants must be fully seated, keep entire body inside vehicle and hold on while vehicle is in motion.

**STARTING the vehicle:** Apply service brake, move direction selector to desired position and accelerate smoothly. On Gas Vehicle, direction selector is the P-N-R. On Electric vehicle, direction selector is the key switch.

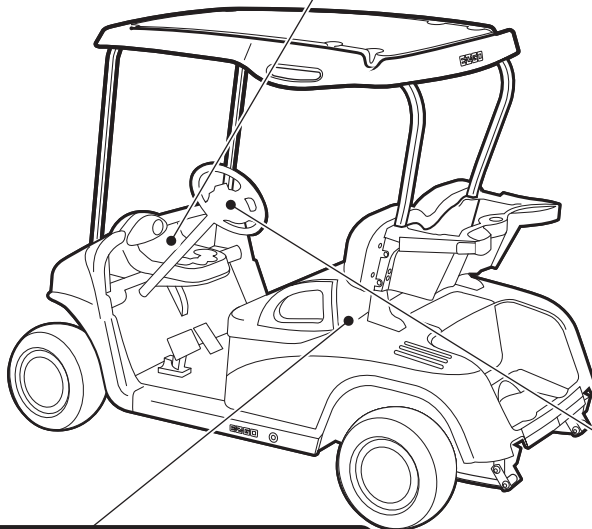
**DO NOT OVERLOAD this vehicle:** Maximum vehicle payload is 800 lbs. (363 kg) including a maximum of 2 persons, options, and accessories.

**Drive with CAUTION:** Drive slowly straight up and down slopes and in turns. Use care in reverse, congested areas, and wet or loose terrain.

**STOPPING the vehicle:** To stop, release accelerator pedal and apply service brake.

**PARKING the vehicle:** Before leaving vehicle, turn key 'OFF'. On Gas vehicle, move the direction selector to "FORWARD" and engage park brake. 608522

608522 FLEET VEHICLES



**⚠ WARNING** Vehicle can **MOVE SUDDENLY** when brake is released causing **SERIOUS INJURY** or **DEATH**

- Vehicle can roll, even on fairly level ground.
- Turn key switch to "OFF" before releasing brake.
- Manual brake lever will release the park brake and can result in the vehicle moving unexpectedly.

608524

608524

**⚠ WARNING**

**OPERATING INSTRUCTIONS** 608529

**BEFORE OPERATING**

- **READ** all warning labels and the owner's manual. Contact an authorized E-Z-GO dealer or visit [www.ezgo.com](http://www.ezgo.com) for a replacement manual.
- This vehicle is equipped for personal use in most communities. However, state law or local rules may require additional equipment in your community.

**SAFE OPERATION**

- Turn key to "ON" - select "forward" or "reverse" - release the parking brake (Gas vehicle only) - then slowly depress accelerator pedal.
- Always bring the vehicle to a complete stop **BEFORE** shifting the direction selector.
- Operate from the driver's seat **ONLY**.

**PARKING**

- **ALWAYS** fully engage the parking brake and remove the key **BEFORE** leaving the vehicle. In an electric vehicle set the direction selector to "neutral" and in a gasoline vehicle set the selector to "forward".

**MAINTENANCE**

- This vehicle requires regularly scheduled maintenance (see owner's manual). **ONLY** qualified personnel should service this vehicle.

608529

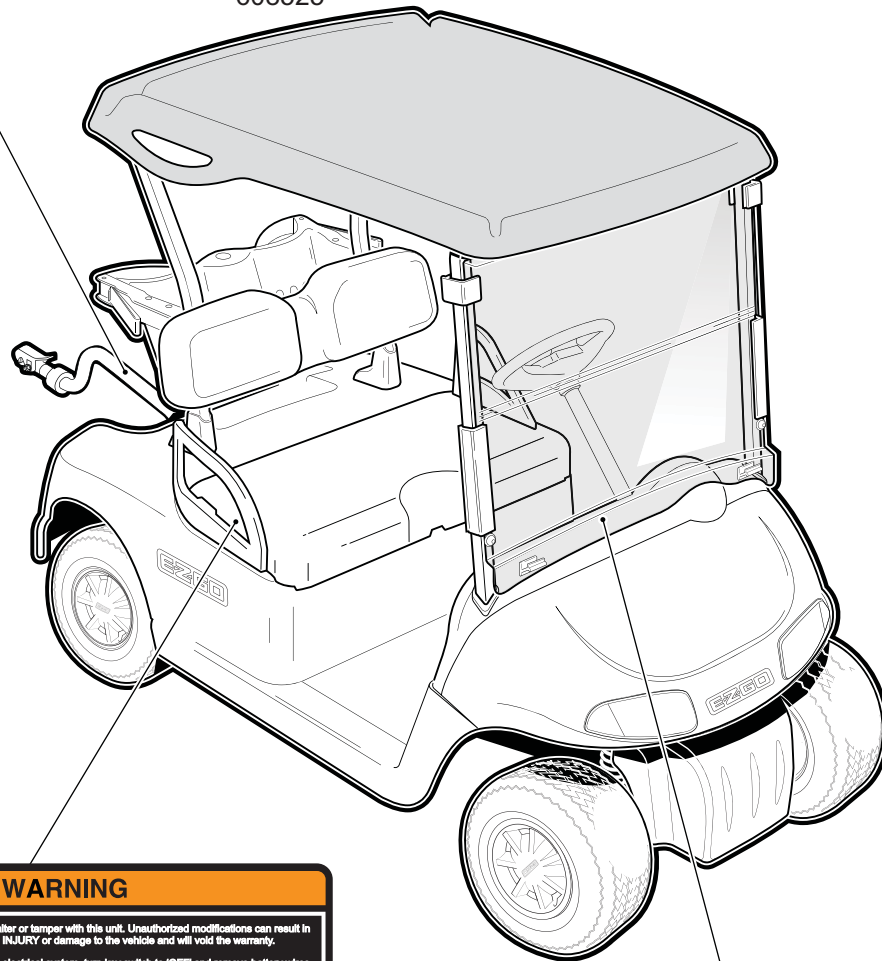
Read all of this manual to become thoroughly familiar with this vehicle. Pay particular attention to all Notes, Cautions and Warnings.

**⚠ WARNING**




- This device is **ONLY** to be used for towing E-Z-GO vehicles. **NEVER** tow other vehicles or equipment. **READ Owner's Manual** before towing.
- **FULLY ENGAGE** coupling. Rubber latch-stop must be under latch release lever.
- **NEVER** tow more than 3 vehicles at one time. **DRIVE SLOWLY** and never tow vehicle over rough or unsafe terrain. **NO RIDERS** in towed cars.
- **MONTHLY INSPECTION:** tow bar pins, attaching hardware, and front frame attachment of towed cars. Replace worn or damaged parts. **CHECK** alignment of wheels on towed cars.

608525



**⚠ WARNING**



- **DO NOT** alter or tamper with this unit. Unauthorized modifications can result in **SERIOUS INJURY** or damage to the vehicle and will void the warranty.
- To disable electrical system, turn key switch to 'OFF' and remove battery wires.
- **ALWAYS** turn key to 'OFF' before disconnecting or reconnecting battery wires. **ELECTRICAL ARC** or **BATTERY EXPLOSION** can occur if key is not in the 'OFF' position.
- **WAIT 30 seconds** after reconnecting batteries **BEFORE** turning key switch to **REVERSE**, **FORWARD** or **NEUTRAL** positions.

TOWING - Always select 'TOW' position before towing

608523

608523

**⚠ WARNING ⚠**



Windshields do not provide protection from golf balls or other flying objects.

EGWHL14

# SAFETY INFORMATION

Read all of this manual to become thoroughly familiar with this vehicle. Pay particular attention to all Notes, Cautions and Warnings.



WARNING

DO NOT leave a child unattended on the seat while vehicle is moving

DO NOT operate vehicle if people are in front of or behind the vehicle

No more than 2 occupants per seat.

DO NOT operate vehicle with occupants standing

74074G01



# LABELS & PICTOGRAMS

Read all of this manual to become thoroughly familiar with this vehicle. Pay particular attention to all Notes, Cautions and Warnings.

READ THE MANUAL  
OPERATE ACCORDING TO LOCAL LAWS AND REGULATIONS  
USE CAUTION IN BAD WEATHER

GASOLINE VEHICLES

FORWARD OPERATION  
\* TURN KEY TO 'ON'  
\* MOVE DIRECTION SELECTOR TO 'F'  
\* PRESS ACCELERATOR PEDAL GENTLY

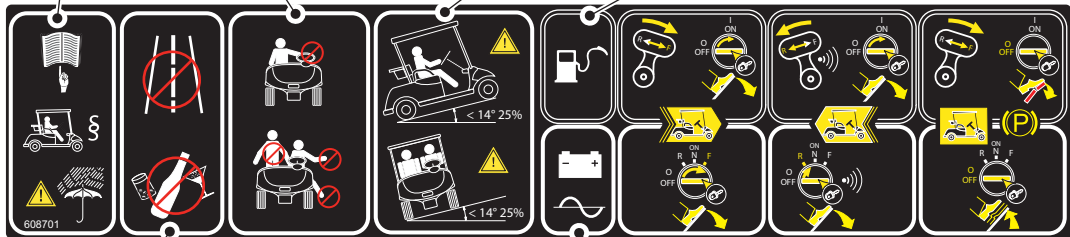
REVERSE OPERATION  
\* TURN KEY TO 'ON'  
\* MOVE DIRECTION SELECTOR TO 'R'  
\* PRESS ACCELERATOR PEDAL GENTLY

PARK VEHICLE  
\* MOVE DIRECTION SELECTOR TO 'F'  
\* TURN KEY TO 'OFF'  
\* APPLY PARKING BRAKE

OPERATE FROM DRIVER SIDE ONLY  
DO NOT STAND UP AND KEEP ENTIRE BODY INSIDE VEHICLE

MAXIMUM RAMP OR HILL  
MAXIMUM CROSS RAMP OR HILL

608701 CE VEHICLES



DO NOT DRIVE ON HIGHWAY  
DO NOT OPERATE IF USING DRUGS OR ALCOHOL

ELECTRIC VEHICLES

FORWARD OPERATION  
\* TURN KEY TO 'F'  
\* PRESS ACCELERATOR PEDAL GENTLY

REVERSE OPERATION  
\* TURN KEY TO 'R'  
\* GENTLY PRESS ACCELERATOR PEDAL

PARK VEHICLE  
\* TURN KEY TO 'OFF'

READ THE MANUAL REPLACEMENT AVAILABLE AT [www.ezgo.com](http://www.ezgo.com)

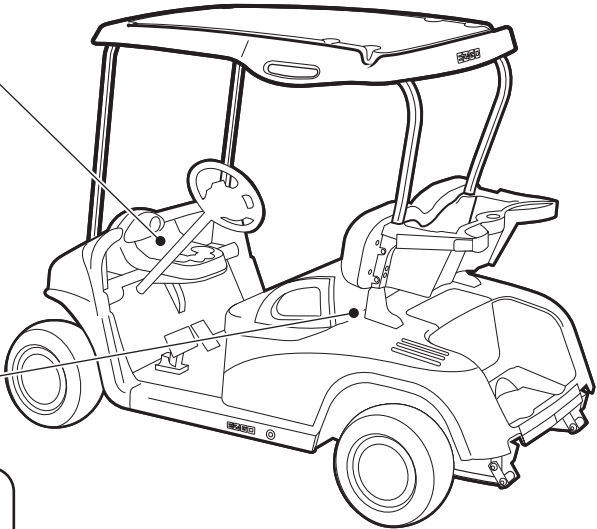
WARNING: WHEN BRAKE IS OFF VEHICLE MAY MOVE WHEN STOPPED ON A SLOPE

608817



HANDLE UP BRAKE IS ON

PUSH HANDLE DOWN AND HOLD TO RELEASE BRAKE

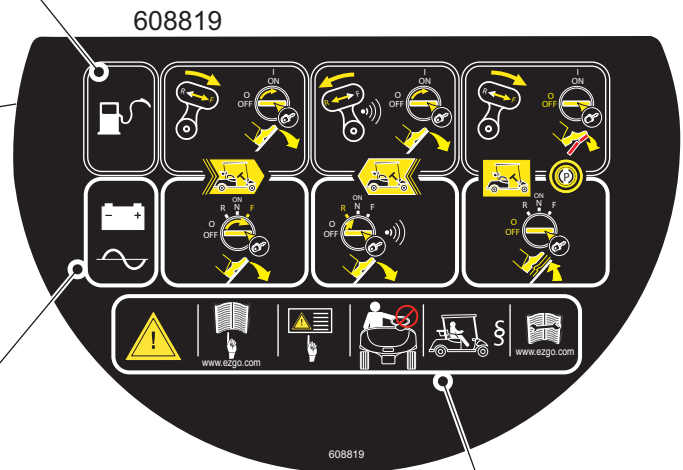
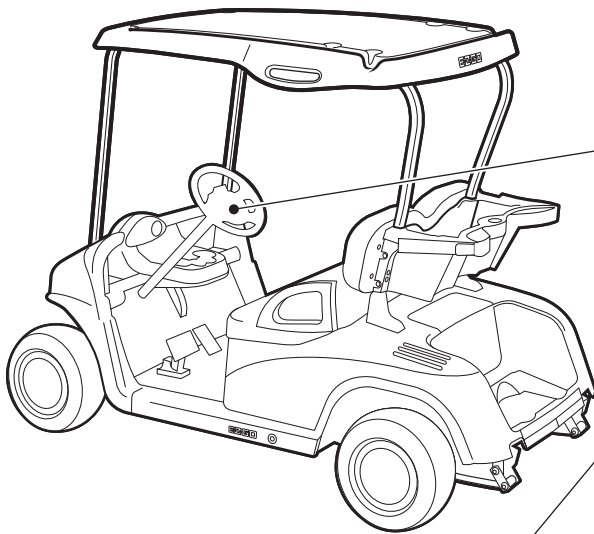




# LABELS & PICTOGRAMS

Read all of this manual to become thoroughly familiar with this vehicle. Pay particular attention to all Notes, Cautions and Warnings.

GASOLINE VEHICLES	<b>FORWARD OPERATION</b> * TURN KEY TO 'ON' * MOVE DIRECTION SELECTOR TO 'F' * PRESS ACCELERATOR PEDAL GENTLY	<b>REVERSE OPERATION</b> * TURN KEY TO 'ON' * MOVE DIRECTION SELECTOR TO 'R' * PRESS ACCELERATOR PEDAL GENTLY	<b>PARK VEHICLE</b> * MOVE DIRECTION SELECTOR TO 'F' * TURN KEY TO 'OFF' * APPLY PARKING BRAKE
-------------------	--	--	---



WARNING	READ THE MANUAL REPLACEMENT IS AVAILABLE AT <a href="http://www.ezgo.com">www.ezgo.com</a>	READ ALL LABELS	OPERATE FROM DRIVER SIDE ONLY	OPERATE ACCORDING TO LOCAL LAWS AND REGULATIONS	MAINTAIN ACCORDING TO SERVICE & REPAIR MANUAL AVAILABLE AT <a href="http://www.ezgo.com">www.ezgo.com</a>
---------	--	-----------------	-------------------------------	---	---

ELECTRIC VEHICLES	<b>FORWARD OPERATION</b> * TURN KEY TO 'F' * PRESS ACCELERATOR PEDAL GENTLY	<b>REVERSE OPERATION</b> * TURN KEY TO 'R' * PRESS ACCELERATOR PEDAL GENTLY	<b>PARK VEHICLE</b> * TURN KEY TO 'OFF'
-------------------	---	---	--

# LABELS & PICTOGRAMS

Read all of this manual to become thoroughly familiar with this vehicle. Pay particular attention to all Notes, Cautions and Warnings.

DO NOT TOW MORE THAN 3 VEHICLES  
DO NOT DRIVE IN REVERSE WHEN TOWING VEHICLES  
NO PASSENGERS IN TOWED VEHICLES  
DO NOT TOW VEHICLES OVER UNEVEN TERRAIN

**TOW BAR OPERATION**  
\* PULL LOCKING COLLAR AWAY FROM LATCH AND PRESS ON LATCH TAB TO OPEN  
\* PLACE LATCH OVER FRONT TOWING BRACKET  
\* CLOSE LATCH AND MOVE LOCKING COLLAR UNDER LATCH TAB

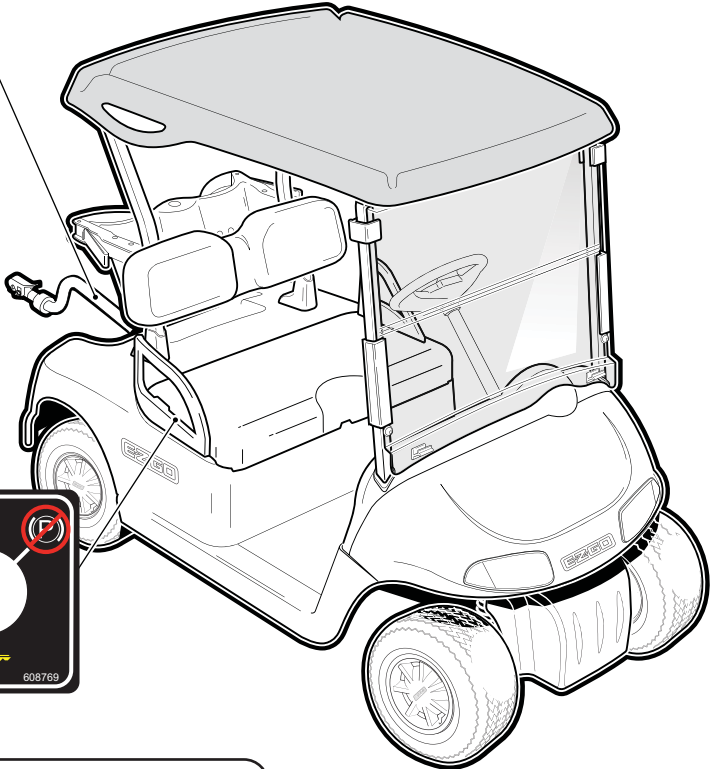


READ THE MANUAL REPLACEMENT AVAILABLE AT [www.ezgo.com](http://www.ezgo.com)

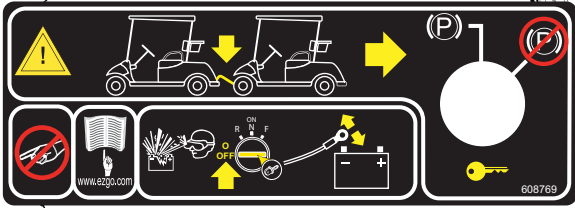
WARNING DO NOT DRIVE FAST

WARNING INSPECT TOW BAR SYSTEM EVERY 30 DAYS

WARNING ENGAGE LOCKING COLLAR



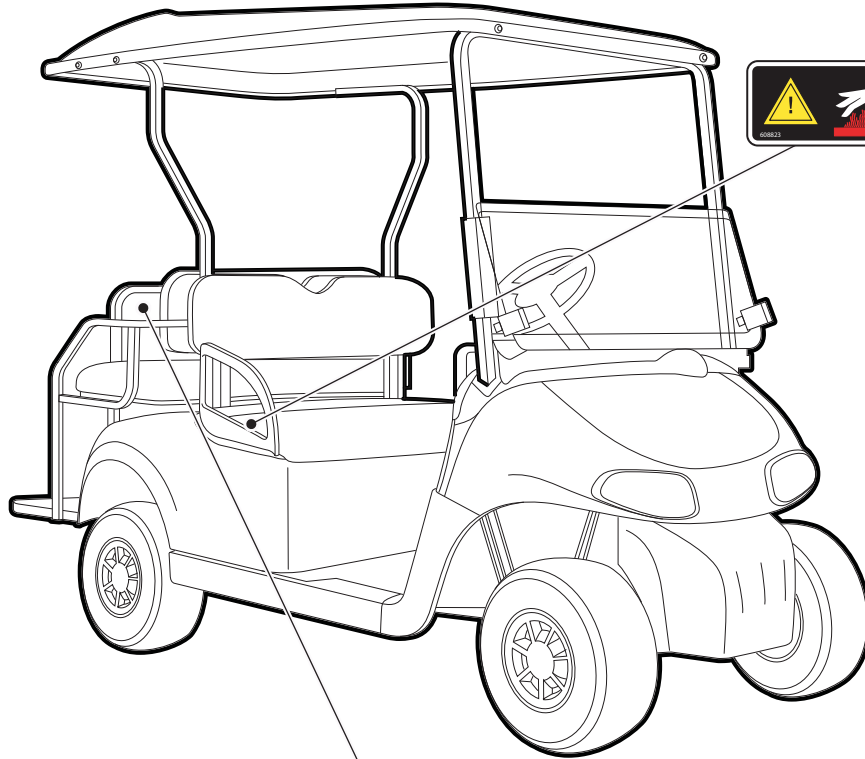
WARNING: ATTACH TOW BAR BEFORE TURNING KEY SWITCH TO 'TOW'



KEEP HANDS OUT	READ THE MANUAL REPLACEMENT AVAILABLE AT <a href="http://www.ezgo.com">www.ezgo.com</a>	TO REDUCE POSSIBILITY OF BATTERY EXPLOSION TURN KEY TO 'OFF' BEFORE DISCONNECTING OR CONNECTING BATTERY WIRES
----------------	---	---

# LABELS & PICTOGRAMS

Read all of this manual to become thoroughly familiar with this vehicle. Pay particular attention to all Notes, Cautions and Warnings.

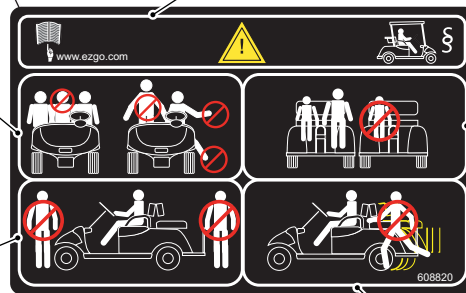


WARNING  
HOT SURFACE

READ THE MANUAL REPLACEMENT AVAILABLE AT <a href="http://www.ezgo.com">www.ezgo.com</a>	WARNING	OPERATE ACCORDING TO LOCAL LAWS AND REGULATIONS
--	---------	---

NO MORE THAN 2 OCCUPANTS IN EACH SEAT	DO NOT STAND UP AND KEEP ENTIRE BODY INSIDE VEHICLE
---	--

DO NOT STAND IN FRONT  
OF OR BEHIND VEHICLE



CHILDREN MUST BE  
ACCOMPANIED BY  
AN ADULT

DO NOT ALLOW  
CHILDREN TO  
RIDE ALONE

608820

DO NOT GET ON OR OFF  
A MOVING VEHICLE



Read all of this manual to become thoroughly familiar with this vehicle. Pay particular attention to all Notes, Cautions and Warnings.

Thank you for purchasing this vehicle. Before driving the vehicle, we ask you to spend some time reading this Owner's Guide. This guide contains the information that will assist you in maintaining this highly reliable vehicle. Some illustrations may show items that are optional for your vehicle.

This vehicle has been designed and manufactured as a 'World Vehicle'. Some countries have individual requirements to comply with their specifications; therefore, some sections may not apply in your country.

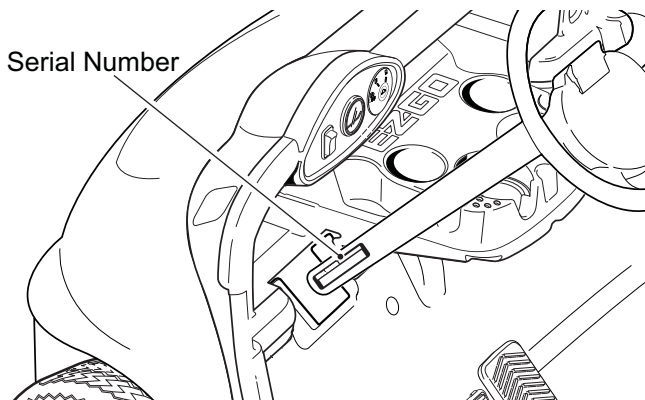
Most of the service procedures in this guide can be accomplished using common automotive hand tools. Contact your service representative on servicing the vehicle in accordance with the Periodic Service Schedule.

Service Parts Manuals as well as Repair and Service Manuals are available from a local Distributor, an authorized Branch or the E-Z-GO Service Parts Department. When ordering parts or requesting information for your vehicle, provide vehicle model, serial number and manufacture date code.

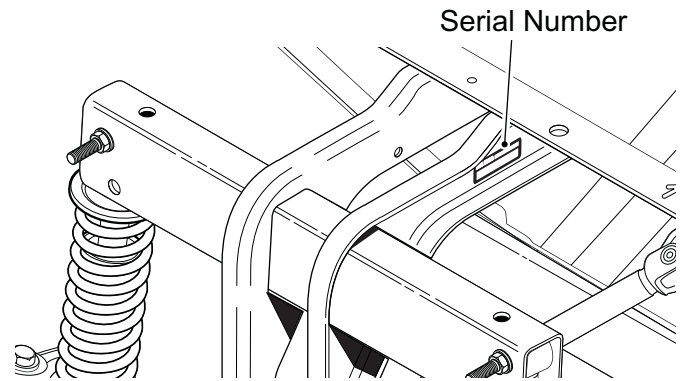
## SERIAL NUMBER LOCATION

Three serial number and manufacture date code labels are on the vehicle. One is placed on the steering column (Ref. Fig. 1), the second is located on the frame member under the front splash shield on the driver side (Ref. Fig. 2) and the third is located on the passenger side frame rail at the rear of the vehicle (Ref. Fig. 3).

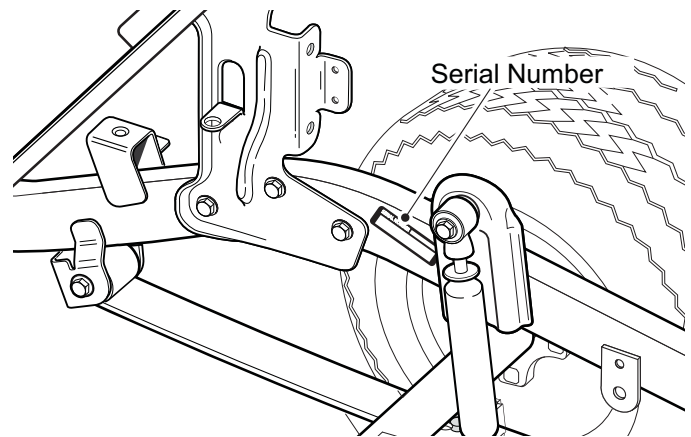
In order to obtain correct components for the vehicle, the manufacture date code, serial number and vehicle model must be provided when ordering service parts.



**Fig. 1 Serial Number Location on Steering Column**



**Fig. 2 Serial Number on Front Frame**



**Fig. 3 Serial Number on Rear Frame**

# OPERATION AND SERVICE INFORMATION

Read all of this manual to become thoroughly familiar with this vehicle. Pay particular attention to all Notes, Cautions and Warnings.

## BEFORE INITIAL USE

Read, understand and follow the safety label on the instrument panel. Be sure you understand how to operate the vehicle, it's equipment and how to use it safely. Maintaining good performance depends to a large extent on the operator.

### **WARNING**

Hydrogen gas is generated as a natural part of the lead acid battery charging process. A 4% concentration of hydrogen gas is explosive and could cause severe injury or death. Charging must take place in an area that is adequately ventilated (minimum of 5 air exchanges per hour).

To reduce the chance of battery explosion that could result in severe injury or death, never smoke around or charge batteries in an area that has open flame or electrical equipment that could cause an electrical arc.

Before a new vehicle is put into operation, the items shown in the **INITIAL SERVICE CHART** must be performed (Ref. Fig. 4).

The vehicle battery must be fully charged before initial use.

Check for correct tire inflation. See GENERAL SPECIFICATIONS.

Check for oil or fuel leaks that could have developed in shipment from the factory.

Determine and record the braking distance required to stop the vehicle for future brake performance tests.

Remove the protective clear plastic from the seat bottom and back rest before placing the vehicle in service

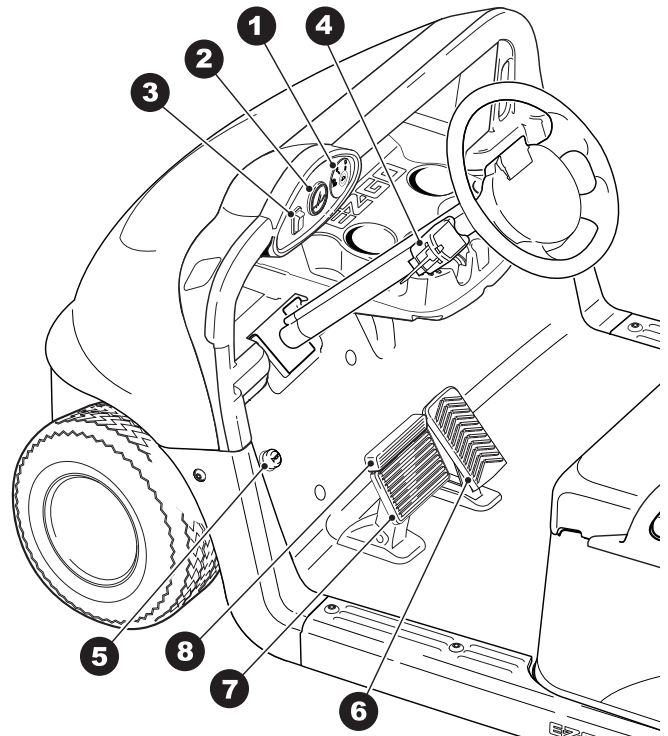
ITEM	SERVICE OPERATION
Battery	Charge battery
Seats	Remove protective plastic covering
Brakes	Check operation and adjust if necessary Establish new vehicle braking distance
Tires	Check air pressure (see SPECIFICATIONS)
Fuel	Fill tank with correct fuel
Engine	Check oil level

**Fig. 4 Initial Service Chart**

## CONTROLS AND INDICATORS

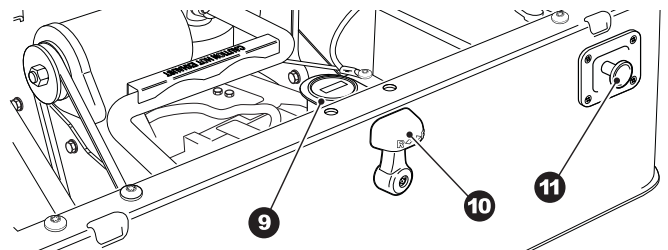
Vehicle controls and indicators consist of:

1. Key Switch
2. Fuel Gauge (optional)
3. Head Light Switch (optional)
4. Turn Signal Switch (optional)
5. Horn Button (optional)
6. Accelerator Pedal
7. Service Brake Pedal
8. Park Brake



**Fig. 5 Operator Controls & Gauges**

9. Hour Meter (optional)
10. Direction Selector
11. Choke



**Fig. 6 Hour Meter**



Read all of this manual to become thoroughly familiar with this vehicle. Pay particular attention to all Notes, Cautions and Warnings.

## KEY SWITCH

Located on the dash panel, the key switch (1) enables the basic electrical system of the vehicle to be turned on and off by turning the key. To prevent inadvertent operation of the vehicle when left unattended, the key should be turned to the 'OFF' position and removed.

## DIRECTION SELECTOR

### CAUTION

To reduce the possibility of component damage, the vehicle must be completely stopped before moving the direction selector.

Located on the seat support panel, this lever permits the selection of either 'F' (forward) or 'R' (reverse). Neutral can be locked by following the instructions under 'Neutral Lock' in the Towing section of this guide. The vehicle should be left in 'F' when unattended.

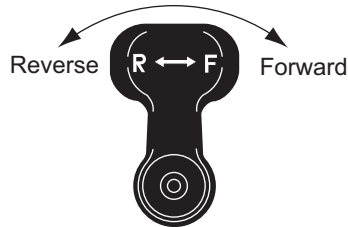


Fig. 7 Direction Selector

## ACCELERATOR PEDAL

### WARNING

Unintentional movement of the accelerator pedal will release the park brake and may cause the vehicle to move, which could cause severe personal injury or death.

With the key switch in the 'ON' position, depressing the accelerator pedal starts the engine. When the pedal is released, the engine will stop. To stop the vehicle more quickly, depress the service brake.

Depressing the accelerator pedal will release the park brake if it is engaged. This is a feature to assure the vehicle is not driven with the park brake engaged. This is not the preferred method of releasing the park brake.

## COMBINATION SERVICE BRAKE & PARK BRAKE PEDAL

The service brake pedal incorporates a park brake feature. To engage the park brake, push down on the top section of the pedal until it locks in place. The park

brake will release when the service brake pedal (lower section) is depressed. Use the LOWER section of the brake pedal to operate the service brake system.

### NOTE

Depressing the bottom of the brake pedal is the preferred method of releasing the park brake to assure the longest service life of the brake components.

## CHOKER

Located on the seat support panel, the choke is used to aid cold starting. Pull the choke knob out for the first start of the day, or if the vehicle does not start within ten seconds after partially depressing the accelerator pedal. Do not operate at full throttle until the engine has reached operating temperature.

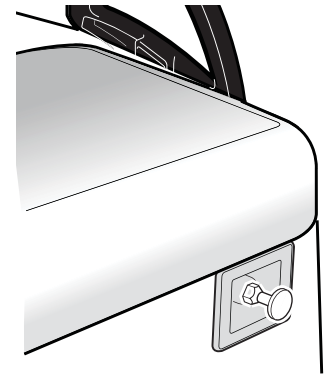


Fig. 8 Choke

## FUEL GAUGE (OPTIONAL EQUIPMENT)

If the vehicle is equipped with an electric fuel gauge (2), it is located in the dash panel to the left of the key switch (1). The fuel gauge indicates the amount of fuel remaining in the fuel tank.

## LOW OIL PRESSURE INDICATOR (OPTIONAL EQUIPMENT)

The low oil pressure indicator is a light that will illuminate when the oil pressure is low. The light is located in the electric Fuel Gauge.

If the 'Low Pressure' indicator is lit, check the oil level:

- If the level is repeatedly between the 'L' (low) and 'H' (high) marks on the dipstick, a mechanical problem may exist within the engine and the vehicle should not be driven. Contact a local distributor or an authorized branch.
- If the oil level is below the 'L' mark on the dipstick, add oil to bring the level to the 'H' mark. Drive the vehicle a short distance and check the oil pressure light. If the oil pressure light does not come on, continue to use the vehicle.

### CAUTION

To prevent engine damage DO NOT operate the vehi-

# OPERATION AND SERVICE INFORMATION

Read all of this manual to become thoroughly familiar with this vehicle. Pay particular attention to all Notes, Cautions and Warnings.

cle until the oil pressure is corrected. DO NOT over fill the engine. Too much oil may cause smoking or allow oil to enter the air filter enclosure.

## HEADLIGHT SWITCH (OPTIONAL EQUIPMENT)

If the vehicle is equipped with lights, the head light ON/OFF switch (3) is located on the instrument panel to the left of the key switch (1).

## TURN SIGNAL SWITCH (OPTIONAL EQUIPMENT)

If the vehicle is equipped with turn signals, the switch (4) is mounted on the steering column.

## HORN (OPTIONAL EQUIPMENT)

If the vehicle is equipped with a horn, the horn button (5) is located on the driver's side floorboard; depressing the button will sound the vehicle's horn.

### NOTE

If the vehicle is equipped with factory installed custom accessories, some accessories remain operational with the key switch in the 'OFF' position.

## OPERATING THE VEHICLE

### CAUTION

*Improper use of the vehicle or the lack of proper maintenance may result in damage or decreased performance.*

Read and understand the following warnings before attempting to operate the vehicle.

### WARNING

*To reduce the possibility of severe injury or death resulting from loss of vehicle control, the following warnings must be observed:*

*When driving vehicle, consider the terrain, traffic conditions and the environmental factors that effect the terrain and the ability to control the vehicle.*

*Use extra care and reduced speed when driving on poor surfaces, such as loose dirt, wet*

*grass, gravel, etc.*

*Stay in designated areas and avoid extremely rough terrain.*

*Maintain a safe speed when driving down hill. Use the service brake to control speed when traveling down an incline. A sudden stop or change of direction may result in loss of control.*

*To prevent loss of control, do not move the direction selector while the vehicle is in motion. Moving the direction selector will result in a sudden slowing of the vehicle.*

*Slow down before and during turns. All turns should be made at reduced speed.*

*Never drive vehicle up, down, or across an incline that exceeds 14° (25% grade).*

### WARNING

*To reduce the possibility of severe injury or death resulting from improper vehicle operation, the following warnings must be observed:*

*Refer to GENERAL SPECIFICATIONS for seating capacity.*

*Depressing the accelerator pedal will release the foot operated park brake and may cause inadvertent vehicle movement. Turn the key to the 'OFF' position whenever the vehicle is parked.*

*To prevent inadvertent movement when the vehicle is to be left unattended, engage the park brake, move the direction selector to the forward (F) position, turn the key to the 'OFF' position and remove the key.*

*Make sure that the direction selector is in the correct position before attempting to start the vehicle.*

*Always bring the vehicle to a complete stop before shifting the direction selector.*

*DO NOT take the vehicle out of 'gear' while in motion (coast).*

*Check the area behind the vehicle before operating in reverse.*

*All occupants must be seated. Keep entire body inside vehicle and hold on while vehicle is in motion.*



Read all of this manual to become thoroughly familiar with this vehicle. Pay particular attention to all Notes, Cautions and Warnings.

## RUN-IN

Check for oil or fuel leaks that could have developed in shipment from the factory. Avoid full throttle starts and rapid acceleration until the engine has achieved operating temperature.

All engines consume more oil than normal during the first hours of operation. As internal moving parts are run-in, oil consumption should gradually decrease until the rate of consumption stabilizes.

Check the oil level per the Periodic Service Schedule. Add oil if the level on the dipstick indicates that oil is in the add oil range.



## CAUTION

Do not overfill the engine. Too much oil may cause smoking or allow oil to enter the air filter enclosure or foul the spark plugs.

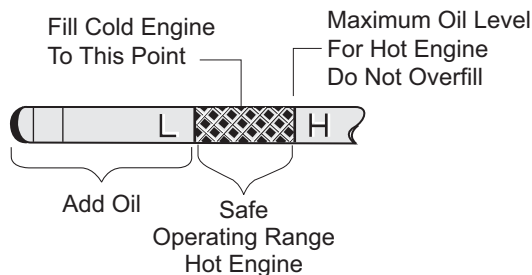
## NOTE

The oil dipstick and cap must be in place before operating the engine. Failure to install the dipstick and cap will result in oil becoming contaminated and/or being discharged into the engine compartment.



**Fig. 9 Oil Dipstick and Cap**

The oil should be changed in accordance with the Periodic Service Schedule. When changing the oil, allow the engine to warm up before draining the oil. See the section on Service and Maintenance for checking the oil level and the procedure for changing the oil.



**Fig. 10 Check Oil Level**

## COLD STARTING

Starting a cold engine **may** require the use of the choke. Depress the accelerator approximately 1" (2.5 cm) or until the starter just begins to operate. Pull the choke out as required. Accelerate slowly and push the choke in completely when the engine runs smoothly.



## CAUTION

Do not allow the starter to operate continuously for more than 10 seconds. Allow 30 seconds before attempting to start the vehicle a second time. If the vehicle does not start on the third attempt, turn the key switch to the off position, set the park brake and determine the cause of the problem.

If the vehicle has been running and the engine does not start within 10 seconds, use the choke.

## STARTING AND DRIVING



## WARNING

To reduce the possibility of roll-back that could result in severe injury or vehicle damage, do not release the service brake until the engine has started.

To operate vehicle:

- Apply the service brake, place the key in the key switch and turn it to the 'ON' position.
- Move the direction selector to the direction desired.
- Release the park brake by depressing the service brake pedal until the park brake releases.
- Slowly depress the accelerator pedal to start the engine. Release service brake when engine starts.
- When the accelerator pedal is released, the engine circuit is de-energized and the engine stops. To stop the vehicle more quickly, depress the **service brake pedal**

## NOTE

When the direction selector is in the reverse position, a warning signal will sound to indicate that the vehicle is ready to run in reverse.

# OPERATION AND SERVICE INFORMATION

Read all of this manual to become thoroughly familiar with this vehicle. Pay particular attention to all Notes, Cautions and Warnings.

## STARTING VEHICLE ON A HILL

### **WARNING**

To reduce the possibility of roll-back that could result in severe injury or vehicle damage, do not release the service brake until motor has started.

### **CAUTION**

Do not hold vehicle on hill by using accelerator and engine. This will cause premature and excessive wear of the drive train components.

To reduce the possibility of permanent damage to the drive system, it is important to prevent excessive roll-back. When starting the vehicle on a hill, follow the procedure below:

- Place the left foot on the service brake and depress to release the park brake.
- Place the right foot on the accelerator pedal.
- Press the accelerator pedal while releasing the service brake.

## COASTING

### **WARNING**

To reduce the possibility of severe injury or death from coasting at above-recommended speeds, limit speed with the service brake.

On steep hills, it is possible for the vehicle to coast at greater than normal speeds encountered on flat surfaces. To reduce the possible loss of vehicle control and severe drivetrain damage, speeds should be limited to no more than the maximum governed speed on level ground (see GENERAL SPECIFICATIONS). Limit vehicle speed by applying the service brake.

## FUEL

### **WARNING**

To reduce the possibility of severe injury or death from improper fuel handling.

**DO NOT** smoke near the fuel tank.

**DO NOT** refuel near an open flame or electri-

cal items which could produce a spark.

Always handle gasoline in a well ventilated area.

Always wear eye protection to protect against splashed fuel and fuel vapors.

Always allow adequate space for the expansion of gasoline. Leave at least 1" (2.5 cm) of space below the bottom of the filler neck.

Inspect the fuel cap, tank and other components for leaks or deterioration that could cause a hazardous condition.

The fuel tank is located under the seat on the passenger side of the vehicle. Fill the tank with fresh, clean, automotive regular grade gasoline (87 octane minimum). High altitude or heavy use/load applications may benefit from higher octane gasoline. Gasoline ethanol blends with up to 10% ethanol may be used. **DO NOT** use gasoline that contains Methanol.

### **CAUTION**

Some fuels, called oxygenated or reformulated gasoline, consist of gasoline blended with alcohols or ethers. Excessive amounts of these blends can damage the fuel system or cause performance problems. If any undesirable operating symptoms occur, use gasoline with a lower percentage of alcohol or ether.

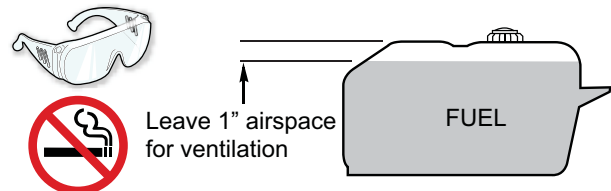


Fig. 11 Fueling

Read all of this manual to become thoroughly familiar with this vehicle. Pay particular attention to all Notes, Cautions and Warnings.

## BATTERY



### CAUTION

*Excessive use of accessories may drain the battery and leave insufficient reserve to start the vehicle.*

The vehicle uses a combination starter/generator to both start the engine and charge the battery. The engine will not idle; therefore, the battery can not be charged while the vehicle is stopped. Do not operate accessory items (such as lights) excessively while the vehicle is stopped.

The generator is capable of supplying 35 amps; therefore, operation of all accessories could result in the discharge of the battery even though the engine is running and the generator is operating. Discharging the battery is known as deep cycling. The battery is not a deep cycle model, it is a starting battery. Multiple deep cycling will result in the premature failure of the battery.

## STARTING A VEHICLE WITH A DISCHARGED BATTERY



### WARNING

**DO NOT attempt to 'jump start' a vehicle.**

This vehicle is equipped with a starter/generator. When starting the engine, the starter/generator functions as a starter and with the engine running, it functions as a generator.

With the short running times associated with this kind of vehicle, the generator is more than adequate to maintain the battery charge level. The generator is not designed to charge a discharged battery.

When the engine starts, the clutches engage and cause the vehicle to move making 'jump starting' both dangerous and impractical. Furthermore, the engine stops when the accelerator is released. **DO NOT attempt to 'jump start' this vehicle.**

If the vehicle battery has become discharged, it must be charged using a 12 volt charger that is rated at 10 amps or less. Read and understand all instructions provided by the manufacturer of the charger.

## LABELS AND PICTOGRAMS

Vehicles may be labeled with pictograms as a method of conveying information or warnings. The Vehicle Label Identification Section of this manual explains the labels that are used on this vehicle.

## SUN TOP AND WINDSHIELD



### WARNING

*The sun top does not provide protection from roll over or falling objects.*

*The windshield does not provide protection from tree limbs or flying objects.*

The sun top and windshield provide some protection from the elements; however, they will not keep the operator and passenger dry in a downpour. This vehicle is not equipped with seat belts and the sun top has not been designed to provide roll over protection. In addition, the sun top does not protect against falling objects and the windshield does not protect against flying objects and tree limbs. Keep arms and legs inside of vehicle while it is moving.

## VEHICLE CLEANING AND CARE

### VEHICLE CLEANING



### WARNING

*To reduce the possibility of severe injury or vehicle damage, read and understand all instructions supplied by manufacturer of pressure washer.*



### CAUTION

*When pressure washing exterior of vehicle, do not use pressure in excess of 700 psi. To reduce the possibility of cosmetic damage, do not use any abrasive or reactive solvents to clean plastic parts.*

It is important that proper techniques and cleaning materials be used. Using excessive water pressure may cause severe injury to operator or bystander, damage to seals, plastics, seat material, body finish or electrical system. Do not use pressure in excess of 700 psi to wash exterior of vehicle.

Clean the windshield with lots of water, mild soap and a clean cloth.

Normal cleaning of vinyl seats and plastic or rubber trim requires the use of a mild soap solution applied with a sponge or soft brush and wiped with a damp cloth.

Removal of oil, tar, asphalt, shoe polish, etc. will require the use of a commercially available vinyl/rubber cleaner.

# OPERATION AND SERVICE INFORMATION

Read all of this manual to become thoroughly familiar with this vehicle. Pay particular attention to all Notes, Cautions and Warnings.

The painted surfaces of the vehicle provide an attractive appearance and durable protection. Frequent washing with lukewarm or cold water and mild detergent is required to preserve the painted surfaces.

Occasional cleaning and waxing with non-abrasive products designed for 'clear coat' automotive finishes will enhance the appearance and durability of the painted surfaces.

Corrosive materials used as fertilizers or for dust control can collect on the underbody of the vehicle. These materials will cause corrosion of underbody parts unless flushed occasionally with plain water. Thoroughly clean any areas where mud or other debris can collect. Sediment packed in closed areas should be loosened to ease its removal, taking care not to chip or otherwise damage paint.

## REPAIR

### LIFTING THE VEHICLE

Tool List	Qty.
Floor jack.....	1
Jack stands.....	4
Wheel Chocks.....	4

Some servicing operations may require the front wheels, the rear wheels, or the entire vehicle be raised.

### **WARNING**

*To reduce the possibility of severe injury or death from a vehicle falling from a jack:*

*Be sure the vehicle is on a firm and level surface.*

*Never get under a vehicle while it is supported by a jack.*

*Use jack stands and test the stability of the vehicle on the stands.*

*Always place chocks in front and behind the wheels not being raised.*

*Use extreme care since the vehicle is extremely unstable during the lifting process.*

### **CAUTION**

*When lifting vehicle, position jacks and jack stands at the areas indicated only.*

To raise the entire vehicle, install the wheel chocks in front and behind each front wheel. Center the jack under

the bagwell and place a piece of wood, approximately 2" x 4" x 12", between the jack and the underside of the bagwell. Raise the vehicle and position the jack stands under the frame where the leaf spring mounting bracket is welded to the frame. (See Fig. 13)

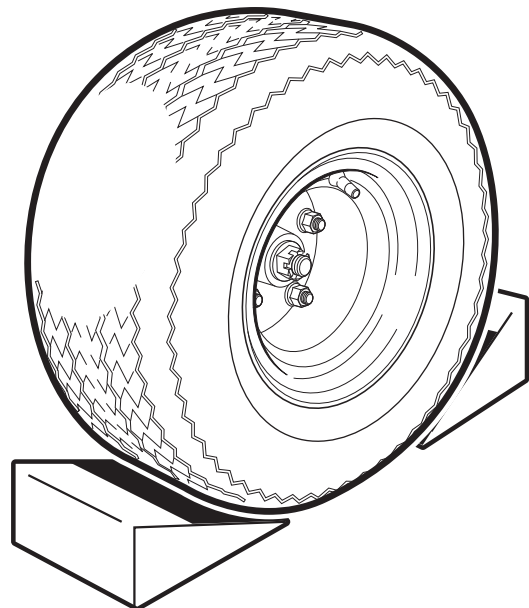
Lower the jack and test the stability of the vehicle on the two jack stands.

Place the jack under the center front of the car just behind the bumper. (See Fig. 13) Raise the vehicle and position the jack stands under the frame where the instrument panel support is attached to the frame.

Lower the jack and test the stability of the vehicle on all four jack stands.

To raise only the front or rear of the vehicle, place the wheel chocks in front and behind the wheels that are not to be raised. The jack may be left under the center front of the frame while the front end of the vehicle is on the jack stands.

Lower the vehicle by reversing the lifting sequence.



**Fig. 12 Chock Wheels**



Read all of this manual to become thoroughly familiar with this vehicle. Pay particular attention to all Notes, Cautions and Warnings.

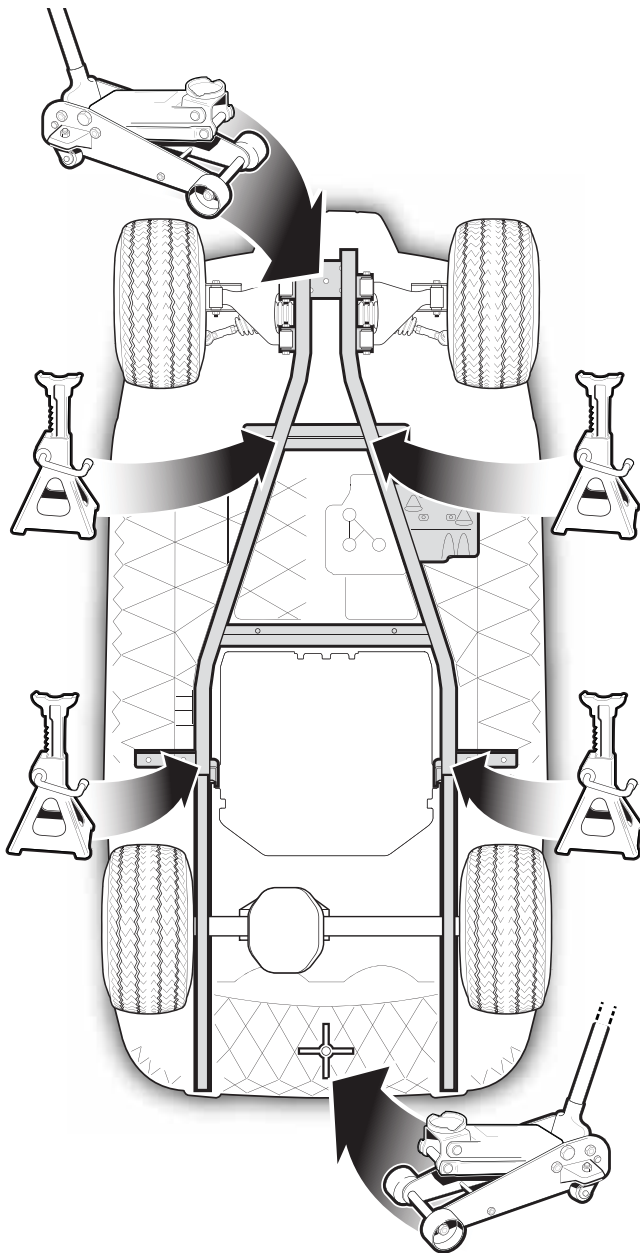


Fig. 13 Lifting the Vehicle

## ⚠ WARNING

A tire explosion can cause severe injury or death. Never exceed the inflation pressure rating on the tire sidewall.

To reduce the possibility of tire explosion, pressurize tire with small amount of air applied intermittently to seat beads. Due to the low volume of the small tires, overinflation can occur in seconds. Never exceed the tire manufacturer's recommendation when seating a bead. Protect face and eyes from escaping air when removing a valve core.

To reduce the possibility of severe injury caused by a broken socket when removing wheels, use only sockets designed for impact wrench use.

Use caution when inflating tires. Overinflation could cause the tire to separate from the wheel or cause the tire to explode, either of which could cause severe injury.

**DO NOT** use low inflation tires on any E-Z-GO vehicle. **DO NOT** use any tire which has a recommended inflation pressure less than the inflation pressure recommended in the owner's guide.

Use caution when inflating tires. Due to the low volume of the small tires, overinflation can occur in seconds. Overinflation could cause the tire to separate from the wheel or cause the tire to explode.

Tire inflation should be determined by the condition of the terrain. See GENERAL SPECIFICATIONS section for recommended tire inflation pressure. For outdoor applications with major use on grassy areas, the following should be considered. On hard turf, it is desirable to have a **slightly** higher inflation pressure. On very soft turf, a lower pressure reduces the possibility of tires cutting into the turf. For vehicles being used on paved or hard surfaces, tire inflation pressure should be in the higher allowable range, but under no condition should inflation pressure be higher than recommended on tire sidewall. **All four tires** should have the same pressure for optimum handling characteristics. Be sure to install the valve stem dust cap after checking or inflating.

The vehicle is fitted with low pressure tubeless tires mounted on one piece rims; therefore, the most cost effective way to repair a puncture in the tread is to use a commercial tire plug.

## WHEELS AND TIRES

### TIRE REPAIR

#### Tool List

	Qty.
Lug wrench, 3/4" .....	1
Impact socket, 3/4" .....	1
Impact wrench .....	1
Torque wrench, ft. lbs. ....	1

# OPERATION AND SERVICE INFORMATION

Read all of this manual to become thoroughly familiar with this vehicle. Pay particular attention to all Notes, Cautions and Warnings.

## NOTE

Tire plug tools and plugs are available at most automotive parts outlets and have the advantage of not requiring the tire be removed from the wheel.

If the tire is flat, remove the wheel and inflate the tire to the maximum recommended pressure for the tire. Immerse the tire in water to locate the leak and mark with chalk. Insert tire plug in accordance with manufacturer's instructions

## WARNING

To reduce the possibility of severe injury, be sure the mounting/demounting machine is anchored to floor. Wear OSHA approved safety equipment when mounting/demounting tires.

If the tire is to be removed or mounted, the tire changing machine manufacturer's recommendations must be followed in order to reduce possibility of severe injury.

## WHEEL INSTALLATION

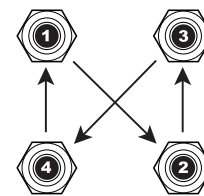
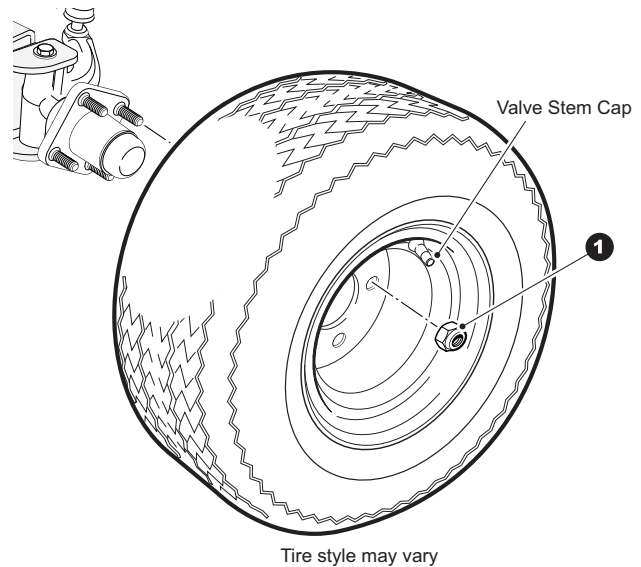
## CAUTION

To reduce the possibility of component damage, do not tighten lug nuts to more than 85 ft. lbs. (115 Nm) torque.

## NOTE

It is important to follow the 'cross sequence' pattern when installing lug nuts. This will assure even seating of the wheel against the hub.

With the valve stem to the outside, mount the wheel onto the hub with lug nuts. Finger tighten the lug nuts in a 'cross sequence' pattern (Ref. Fig. 14). Tighten the lug nuts to 50 - 85 ft. lbs. (70 - 115 Nm) torque in 20 ft. lbs. (30 Nm) increments following the 'cross sequence' pattern. (Ref. Fig. 14)



Cross Sequence

Fig. 14 Wheel Installation

## LIGHT BULB REPLACEMENT

## CAUTION

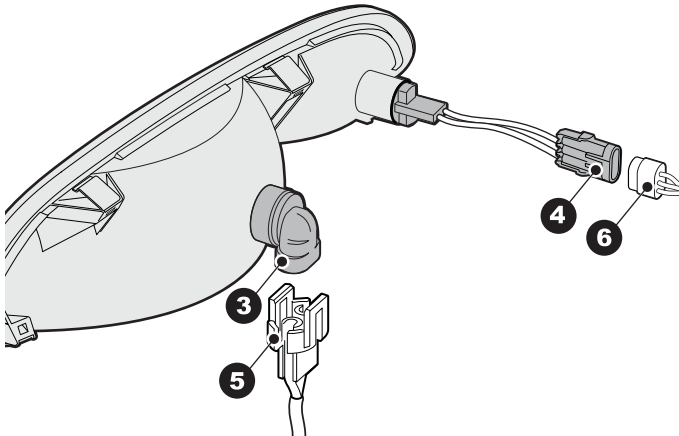
To reduce the possibility of premature bulb failure, do not touch new bulbs with bare fingers. Use clean, dry tissue or paper towel to handle the glass portion of the bulb.

## HEAD LIGHT BULB REPLACEMENT

Make sure that the vehicle key switch is in the 'OFF' position and the key has been removed. For vehicles equipped with lights mounted in the cowl, locate the headlight bulb socket on the backside of the light assembly.

1. Turn the headlight bulb (3) clockwise and pull to remove.
2. Disconnect the accessory harness (5) from the light bulb.

Read all of this manual to become thoroughly familiar with this vehicle. Pay particular attention to all Notes, Cautions and Warnings.



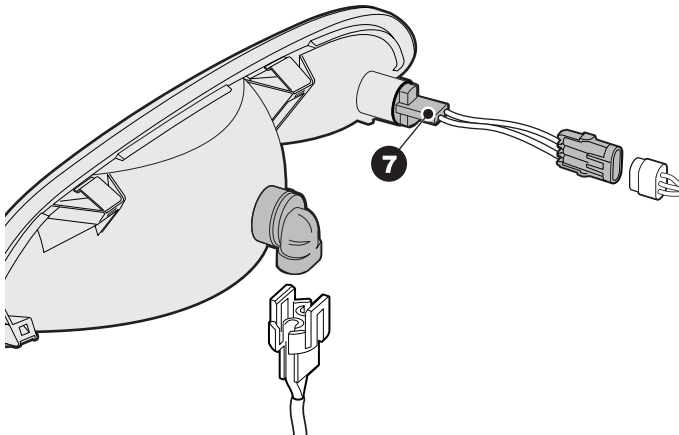
**Fig. 15 Head Light Bulb Replacement**

3. Connect the accessory harness (5) to the light bulb (3).
4. Align the bulb with the opening in the back of the headlight assembly.
5. Turn the bulb (3) counter clockwise until it stops.

## TURN SIGNAL BULB REPLACEMENT

Make sure that the vehicle key switch is in the 'OFF' position and the key has been removed.

1. Remove the phillips head screw (7) and turn the retaining collar (8) to align with the turn signal bulb housing (9).
2. Grip the turn signal bulb housing (9) and pull backward to remove housing from the headlight assembly.



**Fig. 16 Turn Signal Bulb Replacement**

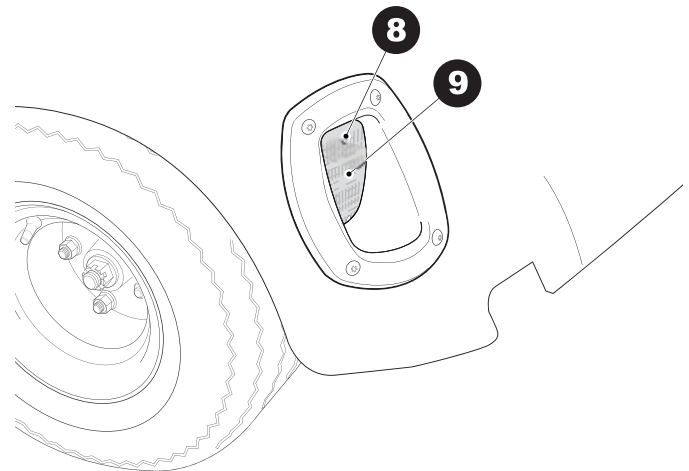
3. Remove the bulb from the housing and replace with a new one.
4. Push turn signal housing (9) into headlight assembly firmly, making sure that it is seated completely.

5. Turn the retaining collar (8) to secure the bulb housing and install the phillips head screw (7) to secure in place.

## TAIL LIGHT/BRAKE LIGHT BULB REPLACEMENT

Make sure that the vehicle key switch is in the 'OFF' position and the key has been removed.

1. Remove the two phillips head screws (8) that secure the lens (9) to the tail light assembly.
2. Remove the light bulb.
3. Install the new light bulb.
4. Install the lens (9) and secure in place with the two phillips head screws. (8)



**Fig. 17 Tail and Brake Light Bulb Replacement**

## TRANSPORTING VEHICLE

### TOWING

#### **! WARNING**

*To reduce the possibility of severe injury or death:*

- Use extra caution when towing a vehicle.*
- DO NOT ride on the vehicle being towed.*
- DO NOT attempt to tow the vehicle with ropes, chains or any device other than a factory approved tow bar.*
- DO NOT tow the vehicle on highways.*
- DO NOT tow a single vehicle at speeds in*

# OPERATION AND SERVICE INFORMATION

Read all of this manual to become thoroughly familiar with this vehicle. Pay particular attention to all Notes, Cautions and Warnings.

excess of 12 mph (19 kph).

**DO NOT** tow more than three vehicles at a time.

**DO NOT** exceed 5 mph (8 kph) while towing multiple vehicles.



## CAUTION

Place the direction selector in neutral and engage the neutral lock to secure the direction selector in the neutral position.

Do not tow a single vehicle at speeds in excess of 12 mph (19 kph). Do not tow more than three vehicles at a time. Do not exceed 5 mph (8 kph) while towing multiple vehicles. Towing the vehicle above the recommended speed may result in severe injury and/or damage to the vehicle and other property.

Tow bars are not intended for road use.

Never use ropes or chains to tow vehicle(s). Tow bars are available from the E-Z-GO Service Parts Department.

Tow bars are not intended for highway use. Before towing, place direction selector in neutral and engage the neutral lock. Do not ride on the vehicle being towed. Tow bars are designed to tow only one vehicle at a maximum speed of 12 mph (19 kph) and up to three vehicles at a maximum speed of 5 mph (8 kph).

## NEUTRAL LOCK

To prevent the driven clutch from turning the rear wheels during service operations and to prevent wear to the belt while being towed, a neutral lock is located on the direction selector.

To operate the neutral lock, turn the key switch to 'OFF', place the direction selector in 'R' and remove the seat. Pull out (1) and rotate (2) the neutral lock pin handle so that the pointed portion of the handle is over the side of the direction selector cam (Ref. Fig. 18). Move direction selector lever towards the area between 'F' and 'R'. During that motion, the pin will snap into the hole in the direction selector mounting bracket, preventing any movement of the lever. When in this position, the direction selector remains locked in the neutral position.



## WARNING

The direction selector is a spring-loaded mechanism. To prevent the possibility of fingers becoming pinched in the direction selector

mechanism, hold the direction selector lever when releasing the neutral lock pin handle.

To activate the direction selector, pull the neutral lock pin handle out and rotate it until the pointed portion of the handle fits into the hole (3) in the direction selector cam.

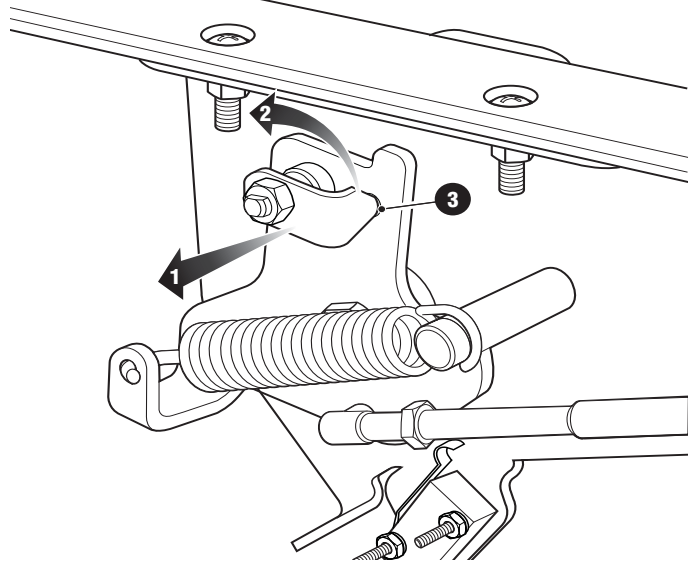


Fig. 18 Neutral Lock

## HAULING



## WARNING

To reduce the possibility of severe injury or death while transporting the vehicle:

*Secure the vehicle and contents.*

*Never ride on the vehicle being transported.*

*Always remove the windshield before transporting.*

*Maximum speed with a sun top installed is 50 mph (80 kph).*

If the vehicle is to be transported at highway speeds, the sun top must be removed and the seat bottom secured. When transporting the vehicle below highway speeds, check for tightness of hardware and cracks in sun top at mounting points. Always remove the windshield when transporting. Always check that the vehicle and contents are adequately secured before transporting. The rated capacity of the trailer or truck must exceed the weight of the vehicle (see GENERAL SPECIFICATIONS for vehicle weight) and load plus 1000 lbs. (454 kg). Lock the park brake and secure the vehicle using ratchet tie-downs.



# OPERATION AND SERVICE INFORMATION

Read all of this manual to become thoroughly familiar with this vehicle. Pay particular attention to all Notes, Cautions and Warnings.

## SERVICE AND MAINTENANCE

### PERIODIC SERVICE SCHEDULE

**3 - CHECK    C&A - CHECK & ADJUST    CL - CLEAN    R - REPLACE**

REMARKS	before each use DAILY	WEEKLY	20 rnds/20 hrs 100 miles/160 kms MONTHLY	60 rnds/60 hrs 300 miles/500 kms QUARTERLY	125 rnds/125 hrs 600 miles/1000 kms SEMI-ANNUAL	250 rnds/250 hrs 1200 miles/2000 kms ANNUAL	5 YEARS	PAGE
Tires - pressure, condition of tires & rims	3	3	3	3	3	3		
Hardware - loose or missing	3	3	3	3	3	3		
Reverse Warning Indicator	3	3	3	3	3	3		
Overall Vehicle Condition	3	3	3	3	3	3		
Battery - charge condition, loose terminals, corrosion, hold down & hardware	3	3	CL	CL	CL	CL		
Service Brake (Mechanical) - smooth operation	3	3	3	3	3	3		
Brakes - aggressive stop test			C&A	C&A	C&A	C&A		
Park Brake - operation, does it hold on a hill	3	3	C&A	C&A	C&A	C&A		
Accelerator - smooth operation	3	3	3	3	3	3		
Starter/Generator Belt - tension, wear, cracks		3	3	3	3	3		
Wiring - loose connections, broken or missing insulation			3	3	3	3		
Carburetor Linkage - attachment			C&A	C&A	C&A	C&A		
Carburetor						CL		
Direction Selector - attachment and mechanism			C&A	C&A	C&A	C&A		
Cooling Fan - build up of debris on blower housing screen	CL	CL	CL	CL	CL	CL		
Engine Oil ** - oil level	C&A	C&A	C&A	C&A	C&A	C&A		
Engine Oil ** & Filter - drain and change					R	R		
Engine - noise, vibration, acceleration, oil leaks			C&A	C&A	C&A	C&A		
Valves - check cold - Ref: Repair & Service Manual						C&A		
Cylinder Head & Piston - remove carbon							CL	
Choke Cable - smooth movement & adjustment			C&A	C&A	C&A	C&A		
Cooling Fan - build-up of foreign matter inside housing & fins			CL	CL	CL	CL		

**Fig. 19**

\*\*Initial oil change after 8 hours of run time.

# OPERATION AND SERVICE INFORMATION

Read all of this manual to become thoroughly familiar with this vehicle. Pay particular attention to all Notes, Cautions and Warnings.

REMARKS	before each use DAILY	WEEKLY	20 rnds/20 hrs	100 miles/160 kms	60 rnds/60 hrs	300 miles/500 kms	125 rnds/125 hrs	600miles/1000 kms	250 rnds/250 hrs	1200miles/2000 kms	5 YEARS	PAGE
			MONTHLY	QUARTERLY	SEMI-ANNUAL	ANNUAL						
Steering Assembly - excessive play, loose or missing hardware			3	3	3	3						
Tie Rods - excessive play, bent rods, loose or missing hardware			3	3	3	3						
Rear Axle - fluid level, oil leakage, noise, loose or missing hardware			3	3	3	3						
Rear Axle - drain & replace fluid											R	
Rear Suspension - shock oil leakage, worn bushings, loose or missing hardware					3	3	3	3				
Front Suspension - strut oil leakage, excessive play in hubs or kingpins, worn bushings, loose or missing hardware			3	3	3	3	3	3				
Front Wheel Alignment - unusual tire wear					C&A	C&A	C&A	C&A				
Fuel Level	3	3	3	3	3	3	3	3				
Fuel System - leaks at tank, cap, system lines for cracks/deterioration, filters, pump					3	3	3	3				
Fuel Filter									R			
Spark Plug									R			
Throttle/Governor Linkage - operation & governed speed					3	3	3	3				
Air Filter Element - check & replace as necessary							3	3				
Drive Belt - cracks, frayed, excessive wear							3	3				

Fig. 19

\*\*Initial oil change after 8 hours of run time.

## CAPACITIES AND REPLACEMENT PARTS

FLUID	QUANTITY
Fuel Tank	6.0 gal (22.5 liters) 87 Octane minimum
Engine Oil	1.25 L (1.3 qt.)
Rear Axle Lubricant Oil SAE 30	1.5 L. (51 oz.)

Fig. 20 Capacities

ITEM	PART NUMBER
Oil Filter	E-Z-GO P/N 607454
Air Filter	E-Z-GO P/N 28463G01
Spark Plug	NGK BPR2ES (E-Z-GO P/N 607462)
Starter/Gen. Belt	E-Z-GO P/N 606138
Clutch Belt	E-Z-GO P/N 606136
Fuse	ATC 10A (E-Z-GO P/N 35212G07)
Headlight Bulb	894 (E-Z-GO P/N 74004G01)
Turn Signal Bulb	912-NA (E-Z-GO P/N 74005G01)
Tail Light Bulb	2057 (E-Z-GO P/N 604311)

Fig. 21 Replacement Parts

# OPERATION AND SERVICE INFORMATION

Read all of this manual to become thoroughly familiar with this vehicle. Pay particular attention to all Notes, Cautions and Warnings.

## HARDWARE

Periodically, the vehicle should be inspected for loose fasteners. Fasteners should be tightened in accordance with the Torque Specifications table (Ref. Fig. 22).

Use care when tightening fasteners and refer to the Technician's Repair and Service Manual for specific torque values.

Generally, three grades of hardware are used in the vehicle. Grade 5 hardware can be identified by the three marks on the hexagonal head and grade 8 hardware is identified by 6 marks on the head. Unmarked hardware is Grade 2 (Ref. Fig. 22).







ALL TORQUE FIGURES ARE IN FT. LBS. (Nm)										
Unless otherwise noted in text, tighten all hardware in accordance with this chart.										
This chart specifies 'lubricated' torque figures. Fasteners that are plated or lubricated when installed are considered 'wet' and require approximately 80% of the torque required for 'dry' fasteners.										
BOLT SIZE	1/4"	5/16"	3/8"	7/16"	1/2"	9/16"	5/8"	3/4"	7/8"	1"
Grade 2 	4 (5)	8 (11)	15 (20)	24 (33)	35 (47)	55 (75)	75 (102)	130 (176)	125 (169)	190 (258)
Grade 5 	6 (8)	13 (18)	23 (31)	35 (47)	55 (75)	80 (108)	110 (149)	200 (271)	320 (434)	480 (651)
Grade 8 	6 (8)	18 (24)	35 (47)	55 (75)	80 (108)	110 (149)	170 (230)	280 (380)	460 (624)	680 (922)
BOLT SIZE	M4	M5	M6	M8	M10	M12	M14			
Class 5.8 (Grade 2) 	1 (2)	2 (3)	4 (6)	10 (14)	20 (27)	35 (47)	55 (76.4)			
Class 8.8 (Grade 5) 	2 (3)	4 (6)	7 (10)	18 (24)	35 (47)	61 (83)	97 (131)			
Class 10.9 (Grade 8) 	3 (4)	6 (8)	10 (14)	25 (34)	49 (66)	86 (117)	136 (184)			

Fig. 22 Torque Specifications and Bolt Grades

## WARNING

To reduce the possibility of severe injury or death from improper servicing techniques:

**DO NOT** attempt any type of servicing operations before reading and understanding all notes, cautions and warnings in this manual.

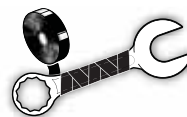
Any servicing requiring adjustments to be made to the powertrain while the motor is running must be made with both drive wheels raised and vehicle properly supported on jack stands.

To reduce the possibility of motor damage, never operate vehicle at full throttle for more than 4 - 5 seconds while vehicle is in a 'no load' condition.



Wear eye protection when working on the vehicle. Use extra care when working around batteries, or using solvents or compressed air.

To reduce the possibility of causing an electrical arc, which could result in a battery explosion, turn off all electrical loads from the battery before removing battery wires.



Wrap wrenches with vinyl tape to reduce the possibility of a dropped wrench 'shorting out' a battery, which could result in an explosion.

Reduce the possibility of accidental starting by removing and grounding spark plug wires and disconnecting battery at negative terminal before servicing.

# OPERATION AND SERVICE INFORMATION

Read all of this manual to become thoroughly familiar with this vehicle. Pay particular attention to all Notes, Cautions and Warnings.

*The electrolyte in a battery is an acid solution which can cause severe burns to the skin and eyes. Treat all electrolyte spills to the body and eyes with extended flushing with clear water. Contact a physician immediately.*

*Any electrolyte spills should be neutralized with a solution of 2 teaspoons (10 ml) sodium bicarbonate (baking soda) dissolved in 1 quart (1 liters) of water and flushed with water.*

*Aerosol containers of battery terminal protectant must be used with extreme care. Insulate metal container to reduce the possibility of can contacting battery terminals which could result in an explosion.*

It is in the best interest of both vehicle owner and service technician to carefully follow the procedures recommended in this manual. Preventative maintenance, applied at recommended intervals, is the best guarantee for keeping the vehicle both dependable and economical.

This vehicle will give years of satisfactory service, providing it receives regular maintenance. Refer to the Periodic Service Schedule for appropriate service intervals.

## CAUTION

*To prolong vehicle life, some maintenance items must be serviced more frequently on vehicles used under severe driving conditions such as extreme temperatures, extreme dust/debris conditions, and frequent use with maximum load.*

## TIRE INSPECTION

Tire condition should be inspected per the Periodic Service Schedule. Inflation pressures should be checked when the tires are cool. Be sure to install the valve dust cap after checking or inflating.

## REAR AXLE

The only maintenance required for the first five years is the periodic inspection of the lubricant level. The rear axle is provided with a lubricant level check/fill plug located on the bottom of the differential. Unless leakage is evident, the lubricant needs to be replaced after five years.

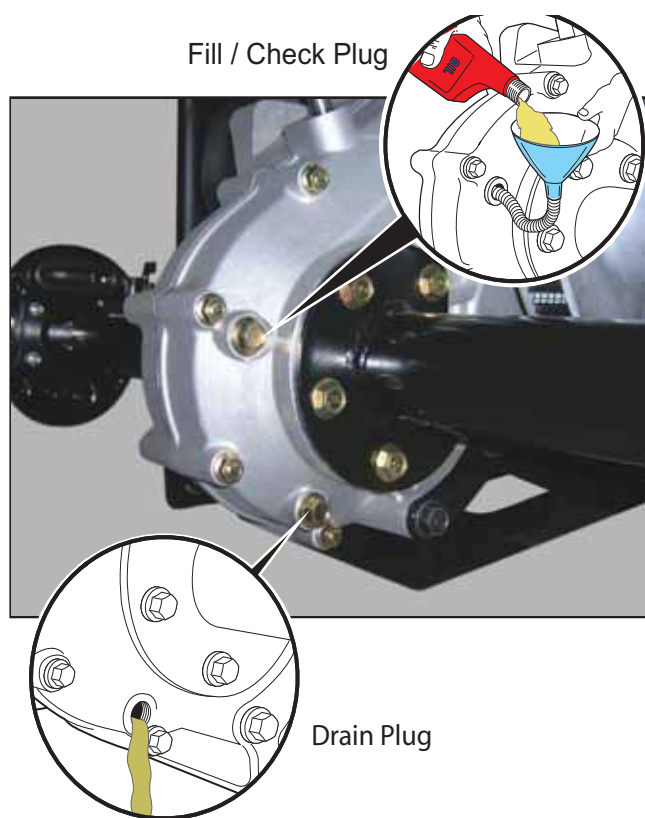
To access the powertrain for routine maintenance, lift or remove the seat and remove the rear access panel. For

major repair, refer to the appropriate Technician's Repair and Service Manual.

Some service procedures may require the vehicle to be lifted. Refer to LIFTING THE VEHICLE for proper lifting procedure and safety information.

## CHECKING THE LUBRICANT LEVEL

Clean the area around the check/fill plug and remove the plug. The correct lubricant level is just below the bottom of the threaded hole. If lubricant is low, add lubricant slowly until lubricant starts to seep from the hole. Install the check/fill plug. In the event that the lubricant is to be replaced, a drain plug is provided at the bottom of the differential housing.



**Fig. 23 Add, Check and Drain Axle Lubricant**

## CHECKING THE OIL LEVEL

### CAUTION

*Do not overfill the engine with oil. Too much oil may cause smoking or cause spark plug fouling.*

The oil should be checked with the engine warm. The vehicle should be on a level surface with the parking

# OPERATION AND SERVICE INFORMATION

Read all of this manual to become thoroughly familiar with this vehicle. Pay particular attention to all Notes, Cautions and Warnings.

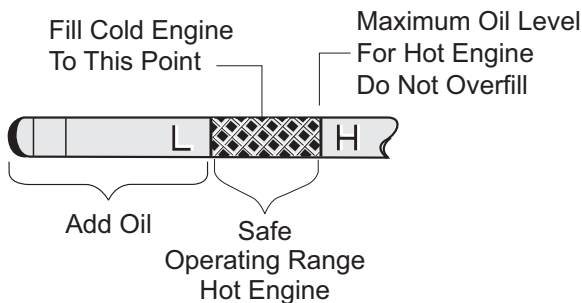
(PARK) brake engaged. Allow adequate time for oil to drain into the crankcase before checking.

Remove the dipstick and wipe off the entire area with a lint-free cloth.



**Fig. 24 Oil Dipstick & Cap**

Insert the dipstick **fully** into the dipstick hole and remove. Examine the level of the oil on the dipstick.



**Fig. 25 Check Oil Level on Dipstick**

The engine can be operated safely as long as oil is within the safe operating range as indicated on the dip stick. **DO NOT operate vehicle if the oil level is below the safe area indicated on the dipstick.**

Oil should be added to bring the level into the safe operating range. Remember that oil expands as it gets hot. **DO NOT overfill the engine with oil.** Check that the oil cap is firmly in place.

## NOTE

When adding oil between oil changes, do not mix brands and viscosity grades of oil.

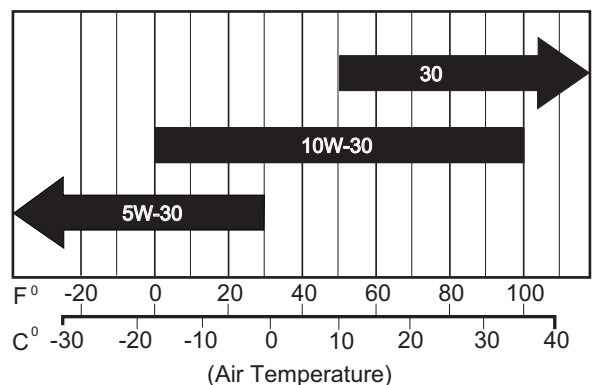
Both the oil dipstick and cap must be in place before operating the engine. Failure to install the dipstick and cap will result in oil becoming contaminated and/or oil being discharged into the engine compartment.

## CHANGING THE OIL

Tool List	Qty. Required
Socket, 10 mm.....	1
Ratchet .....	1
Extension .....	1
Oil drain pan .....	1
Oil Filter Wrench .....	1

For maximum performance and longevity, the engine oil should be replaced after the first 8 hours of operation. After the initial oil change, it should be changed every 125 hours of operation or semi-annually, whichever comes first.

The selection of oil is dependent upon the service that the vehicle will perform. Most vehicles require 10W-30 oil, whereas vehicles used at capacity or near capacity load applications will utilize 10W-40 oil after a break-in period of 100 hours.



**Fig. 26 Oil Viscosity Chart**

## NOTE

If the vehicle is to be stored over the winter months, it can be stored with the oil left in engine. The oil should be changed as part of spring maintenance. This will remove any moisture that has accumulated during storage.



# OPERATION AND SERVICE INFORMATION

Read all of this manual to become thoroughly familiar with this vehicle. Pay particular attention to all Notes, Cautions and Warnings.

## ⚠ WARNING

Be aware that engine fluids may be hot and contact to the skin may cause severe burns. Wear rubber gloves to protect skin from exposure to the old oil and degreaser.

The oil should be changed with the engine warm. Park the vehicle on a level surface, engage the parking brake and remove the key. Place a drain pan under the engine. Wipe the top of the engine clean with a cloth. Remove the oil dipstick and cap.

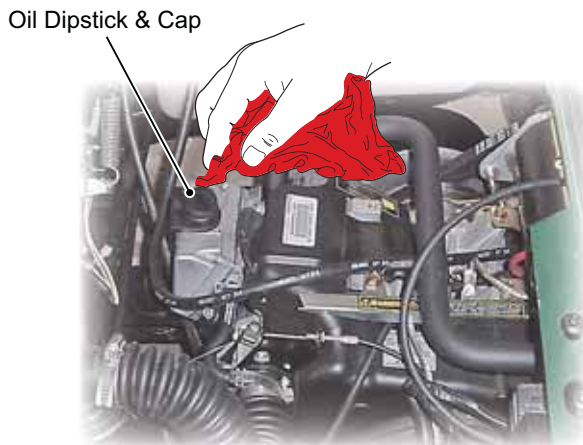


Fig. 27 Cleaning Top of Engine

Clean the area around the filter. Using an oil filter wrench, strap wrench or other suitable filter wrench (A), remove the oil filter (B) from the engine and allow the oil to drain.

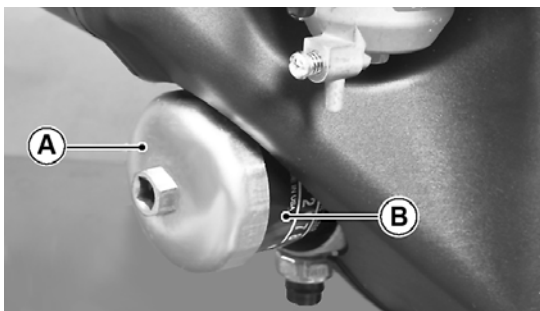


Fig. 28 Remove Oil Filter

The 'O'-ring may remain on the engine (C) or on the filter (D). Inspect the filter, check to see if the 'O' ring is present or has been left on the engine surface. If the 'O' ring has remained on the engine, remove it.

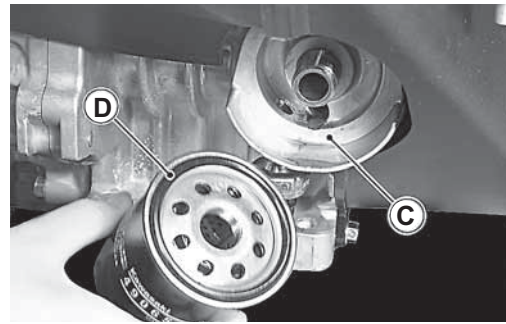


Fig. 29 Inspect Oil Filter

## ⚠ WARNING

Be careful of hot oil when drained. It may be hot enough to burn you severely.

Drain the oil by removing the drain plug found at the rear of the engine base. Remove using a 3/4" (19mm) wrench. At the first oil change, **small** metal chips and lint may be found. This is normal, resulting from the break-in period. Inspect the filter at every oil change. The presence of large metal chips could indicate possible damage to the engine.

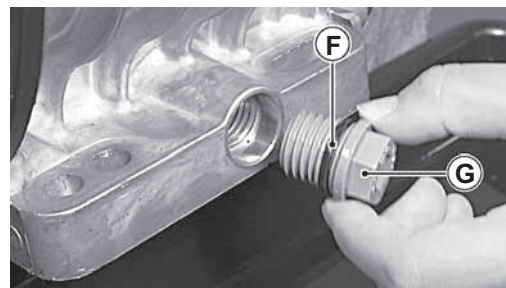


Fig. 30 Oil Drain Plug

Wipe the area around the drain plug mount with a lint-free cloth and inspect the drain plug (G) for damage; replace if necessary. Replace the "O"-ring (F) with a new one and tighten to 61 in. lbs. (7.0 Nm) torque.

Apply a thin film of engine oil to the oil filter 'O'-ring and install the oil filter onto the engine until the seal contacts mounting surface of the engine. Then turn the filter 2/3 to 3/4 of a rotation by HAND. Add slightly less than 1.4 quarts (1.3 liters); to allow for possible residual oil left in engine; of high quality oil that meets or exceeds API SF, SG, CC standards. Check the oil level on the dipstick. The oil should be slightly below the 'H' to allow for expansion when the engine is hot. If necessary, continue to add oil slowly and allow time for the oil to flow down into the engine. Check the oil level on the dipstick. **DO NOT overfill the engine with oil.**

Read all of this manual to become thoroughly familiar with this vehicle. Pay particular attention to all Notes, Cautions and Warnings.



## CAUTION

Do not overfill engine. Too much oil may cause smoking or allow oil to enter the air filter enclosure.

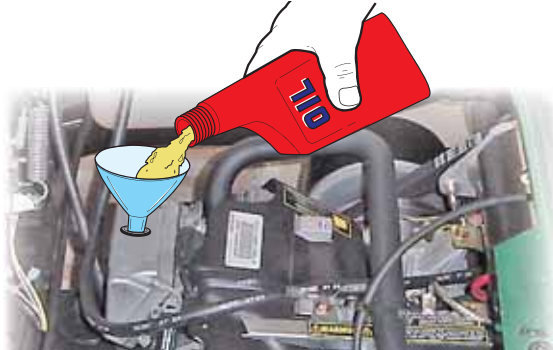


Fig. 31 Add Engine Oil

## NOTE

The oil dipstick and cap must be in place before operating the engine. Failure to install the dipstick and cap will result in oil being discharged into the engine compartment.

As a final check, check the oil level again with the vehicle on level ground. Like all liquids, oil increases in volume when warm. The full 'H' mark on the dipstick is calibrated for an engine at operating temperature. When the engine is cold, the oil will be below the full mark. The engine can be operated safely as long as the oil is within the safe operating range as indicated on the dipstick. **DO NOT operate the vehicle if the oil level is below the safe area indicated on the dipstick.**

## AIR CLEANER INSPECTION AND REPLACEMENT

## NOTE

The air cleaner unit on the vehicle is a dry unit. **DO NOT** use oil on the filter element or any part of the unit.



Fig. 32 Air Cleaner

The air cleaner may be accessed by raising the seat. Unsnap the clip and twist in a counter clockwise direction to remove the cover. Inspect the air filter; replace the air filter in accordance with the Periodic Service Schedule. Clean the inside of the cover and canister. Install the air filter element and cover; twist the cover in a clockwise direction and latch the clip.



Fig. 33 Air Cleaner Assembly

## CLEANING THE AIR FILTER ELEMENT



## CAUTION

**DO NOT** use compressed air to clean the air filter. Doing so will damage the filter and will cause damage to the engine.

If the element is in acceptable condition, loose dirt may be removed by tapping the filter lightly. **DO NOT** use oil on the filter element or any part of the unit. Install the element in the same way it was removed, being sure that the filter cover is fastened securely and the clip is latched.

# OPERATION AND SERVICE INFORMATION

Read all of this manual to become thoroughly familiar with this vehicle. Pay particular attention to all Notes, Cautions and Warnings.

## STARTER/GENERATOR BELT TENSION

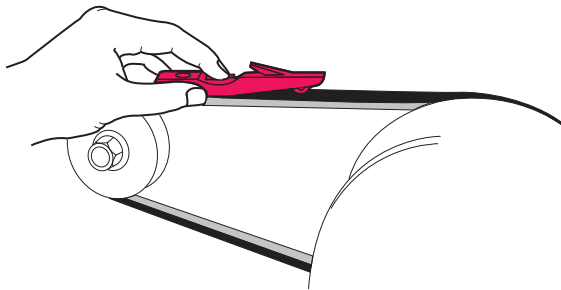
Tool List	Qty. Required
Belt tension gauge.....	1
Wrench, 13mm.....	1
Wrench, 14mm".....	2
Ratchet.....	1
Socket, 15mm.....	1

The starter/generator belt tension should be checked after the first 15 - 20 hours and set to 75 - 80 lbs. (34 - 36 kg).

### NOTE

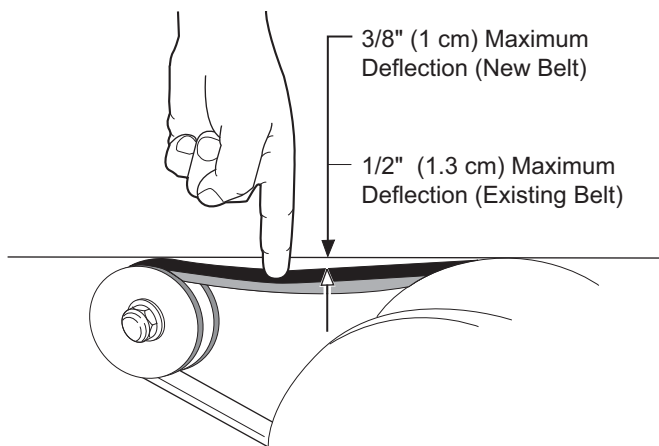
A loose belt can cause audible vibration and squeal.

Tighten a **new** starter/generator belt to 90 - 110 lbs. (41 - 50 kg) tension when a gauge is applied half way between the two pulleys.



**Fig. 34 Checking Belt Tension with Gauge**

Although not as accurate, a **new** belt may be depressed with a finger to check the belt tension. A maximum deflection of 3/8" (10 mm) is acceptable.



**Fig. 35 Checking Belt Tension with Finger**

Re-tighten an **existing** belt to 75 - 80 lbs. (34 - 36 kg) tension using the same technique. A maximum deflection of 1/2" (13 mm) is acceptable.

## ADJUSTING THE BELT

Using a 15mm socket and a 13mm open end wrench, loosen the starter/generator pivot bolt.

While holding the lower adjusting nut with a 14mm wrench, loosen the upper jam nut with another 14mm wrench. Move the lower nut up or down the adjustment bolt until proper belt tension is achieved. Hold the lower nut in place and tighten the upper jam nut against it.

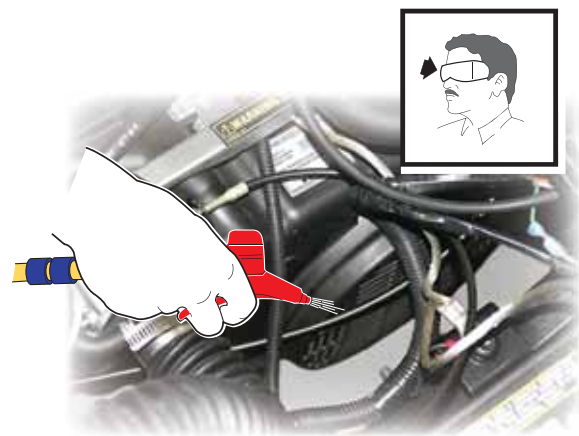


**Fig. 36 Adjusting the Belt Tension**

Using a 15mm socket and a 13mm open end wrench, tighten the starter/generator pivot bolt.

## COOLING SYSTEM CLEANING

At least once a year, or more often under adverse conditions, the cooling system should be cleaned. Cleaning will assure an adequate supply of air to the cooling fins. Compressed air may be used for routine cooling system maintenance.



**Fig. 37 Cleaning Cooling System with Air**



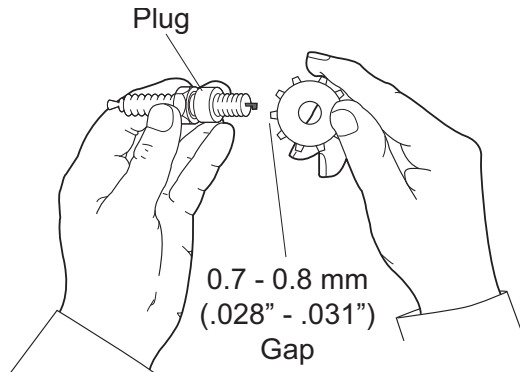
# OPERATION AND SERVICE INFORMATION

Read all of this manual to become thoroughly familiar with this vehicle. Pay particular attention to all Notes, Cautions and Warnings.

## SPARK PLUG

Tool List	Qty. Required
Spark plug wrench, 13/16" .....	1
Plug gauge, wire type.....	1

Using a 13/16" spark plug wrench, remove the spark plug at intervals indicated in the Periodic Service Schedule, check, clean and set the gap to 0.7 - 0.8 mm (.028" - .031"). Install the spark plug and tighten to 16 ft. lbs. (22 Nm) torque.



**Fig. 38 Gapping the Spark Plug**

A fouled spark plug is indicated by a wet, black appearance. This could be caused by a dirty air filter element or other restrictions in the air intake system. Incorrectly adjusted valves, a spark plug wire in poor condition or poor quality fuel could also contribute to the problem.



### CAUTION

*Use care not to over-tighten the plug. Over-tightening can cause damage to the aluminum cylinder head threads.*

## CLEANING THE BATTERY



### CAUTION

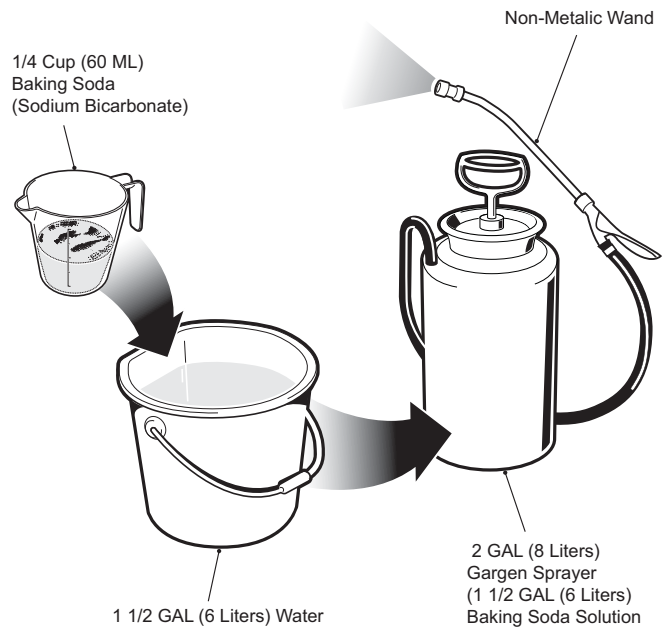
*To reduce the possibility of damage to the vehicle, neutralize acid before rinsing the battery.*

*To reduce the possibility of damage to electrical components while cleaning, do not use a pressure washer.*

When cleaning the outside of the battery and terminals, do not use a water hose without first spraying with a solution of baking soda (sodium bicarbonate) and water to neutralize any acid deposits. Use of a water hose without first neutralizing any acid, will move the acid from the top of the battery to another area of the vehicle or storage facility where it will attack the metal structure or the

concrete/asphalt floor. After hosing down the battery, a residue will be left on the battery which is conductive and will contribute to the discharge of the battery.

The correct cleaning technique is to spray the top and sides of the battery with a solution of baking soda and water. This solution is best applied with a garden type sprayer equipped with a non metallic spray wand. The solution should consist of 1/4 cup (60 ml) of baking soda mixed with 1 1/2 gallons (6 liters) of clear water. In addition to the battery, special attention should be paid to the metallic components adjacent to the battery which should also be sprayed with the baking soda solution.



**Fig. 39 Preparing Acid Neutralizing Solution**

Allow the solution to sit for at least three minutes; use a soft bristle brush or cloth to wipe the top of the battery in order to remove any residue that could cause the self discharge of the battery. Rinse the entire area with low pressure clear water. **DO NOT use a pressure washer.**

## BATTERY REMOVAL AND INSTALLATION

Tool List	Qty. Required
Insulated Wrench, 1/2" .....	1
Socket, 1/2" .....	1
Extension, 12" .....	1
Ratchet .....	1
Torque Wrench, ft. lbs. ....	1

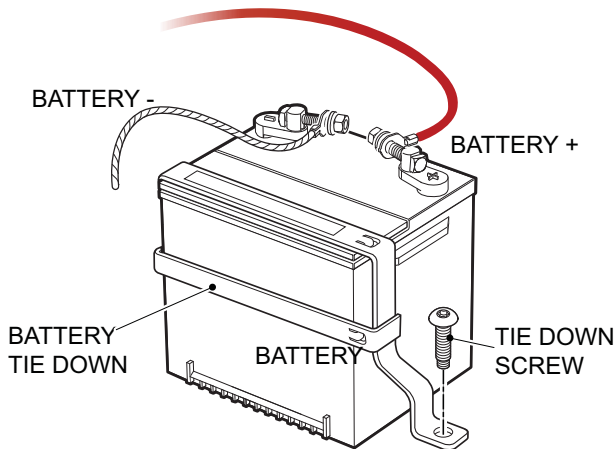
# OPERATION AND SERVICE INFORMATION

Read all of this manual to become thoroughly familiar with this vehicle. Pay particular attention to all Notes, Cautions and Warnings.

## NOTE

In the following text, there are references to removing/installing bolts etc. Additional hardware (nuts, washers, etc.) that is removed must always be installed in its original position unless otherwise specified. Non-specified torques are as shown in the torque specifications (Ref. Fig. 22).

At the battery, remove the **negative (-)** cable before removing the **positive (+)** cable. Remove the bolt from the battery hold down and remove the battery.



**Fig. 40 Battery Removal**

When installing the battery connect the positive (+) battery cable first. **Connect negative (-) battery cable last.**

Be sure to remove all corrosion from terminals and hardware. After installing battery, coat terminals with commercially available terminal protectant.

## WARNING

**To prevent battery explosion that could result in severe personal injury or death, extreme care must be used with aerosol containers of battery terminal protectant. Insulate the metal container to prevent the metal can from contacting battery terminals which could result in an explosion.**

## PERIODIC BRAKE PERFORMANCE TEST (PBPT)

### WARNING

*To prevent severe injury or death resulting from operating a vehicle with improperly operating brake system, the brake system must be properly maintained. All driving brake tests must be done in a safe location with regard for the safety of all personnel.*

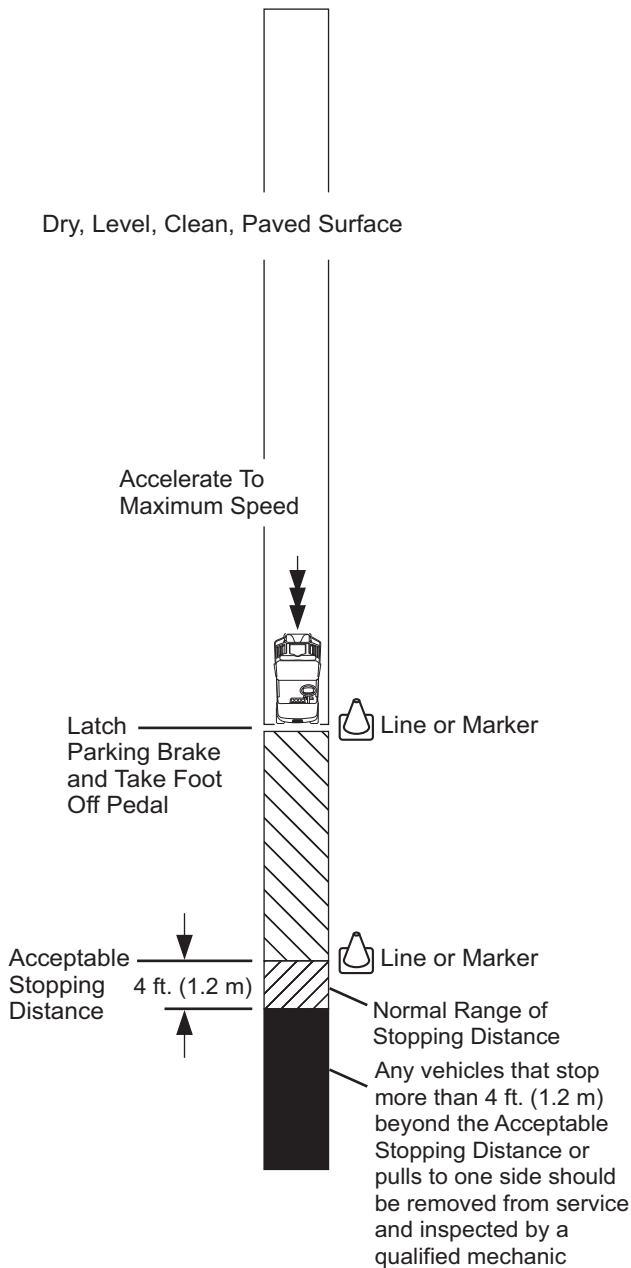
The Periodic Brake Performance Test (PBPT) should be performed regularly (see Periodic Service Schedule) as an evaluation of braking system performance. It is useful as a method of identifying a subtle loss of performance over time and as part of troubleshooting a problem vehicle.

Before performing this test, inspect the brake pedal and linkage; correct any problems found, including adjusting the brake pedal free travel if required.

The purpose of this test is to compare the braking performance of the vehicle to the braking performance of a new or "known to be good" vehicles or to an established acceptable stopping distance (see below). The actual stopping distances will be influenced by weather conditions, terrain, road surface condition, actual vehicle weight (accessories installed) and vehicle speed. No specific braking distance can be reliably specified. The test is conducted by latching the parking brake to eliminate different pedal pressures and to include the affects of linkage mis-adjustment. Significant changes or differences in braking performance will be evident due to mis-adjustment.

Establish the acceptable stopping distance by testing a new or "known to be good" vehicle and recording the stopping location or stopping distance. For fleets of vehicles, several vehicles should be tested when new and the range of stopping locations or distances recorded.

Read all of this manual to become thoroughly familiar with this vehicle. Pay particular attention to all Notes, Cautions and Warnings.



**Fig. 41 Periodic Brake Performance Test**

## NOTE

Over time, a subtle loss of performance may take place; therefore, it is important to establish the standard with a new vehicle.

Drive the vehicle at maximum speed on a flat, dry, clean, paved surface. Quickly depress the brake pedal to latch the parking brake at the line or marker in the test area and remove foot from pedal. The vehicle should stop aggressively. The wheel brakes may or may not lock. Observe the vehicle stopping location or measure the

vehicle stopping distance from the point at which the brakes were latched. The vehicle should stop within the “normal” range of stopping distances. If the vehicle stops more than 4 ft. (1.2 m) beyond the acceptable stopping distance or pulls to one side, the vehicle has failed the test.

Repeat test two more times.

If the vehicle fails to pass two of three Periodic Brake Performance Tests, perform the Aggressive Stop Test 10 times as described below, then repeat the Periodic Brake Performance Test three more times (second set of three).

If the vehicle passes two of three Periodic Brake Performance Tests, check that the clevis pins at the brake levers are loose. If they are loose, return vehicle to service. If they are tight, adjust free travel. Then repeat the Periodic Brake Performance Tests. If vehicle fails, remove from service and refer to ‘Wheel Brake Inspection’ section in the Service and Repair Manual, to evaluate the reason for failure.

## PROLONGED STORAGE

### WARNING

To reduce the possibility of severe injury or death resulting from a possible explosion:

**DO NOT** handle fuel in an area that is not adequately ventilated. **DO NOT** smoke near the fuel tank or refuel near an open flame or electrical items which could produce a spark.

Store vehicle in a clean, dry area. **DO NOT** store in the same area as a stove, furnace, water heater, or other appliances that use a pilot light or have a device that can create a spark.

When refueling, inspect the fuel cap for leaks or breaks that could result in fuel spillage.

Always wear safety glasses while refueling to prevent possible eye injury from gasoline or gasoline vapor.

Keep hands, clothing and jewelry away from moving parts. Use care not to contact hot objects. Raise the rear of the vehicle and support it on jack stands before attempting to run the engine.

# OPERATION AND SERVICE INFORMATION

*Read all of this manual to become thoroughly familiar with this vehicle. Pay particular attention to all Notes, Cautions and Warnings.*

Preparing the engine for a prolonged storage period (30 days or more) calls for a few simple steps to prevent a build up of varnish and gum in the carburetor and corrosion in the engine.

- Raise the rear of the vehicle and support it on jack stands. Refer to 'Lifting the Vehicle' for proper lifting procedure and safety information.
- Disconnect the fuel hose **at the fuel tank** and plug the end of the hose.
- With proper ventilation, turn the key to the 'ON' position and depress the accelerator pedal, allowing the engine to run until it stops due to lack of fuel.
- Remove the spark plug and pour about 1 oz. (30 ml) of engine oil into the cylinder. Replace the spark plug, ground the spark plug wire and use the starter to turn the engine over for a few seconds to distribute the oil.
- Add a gasoline additive to the fuel tank in accordance with the manufacturer's recommendations.
- Reattach the fuel line to the tank.





# GENERAL SPECIFICATIONS

# GENERAL SPECIFICATIONS

## RXV GAS - FLEET VEHICLE SPECIFICATIONS

<b>BATTERY</b>	One 12 Volt Maintenance Free
<b>ENGINE</b>	13 hp (9.7 kW) rated 24.5 cu. inch (401 cc), single cylinder, air cooled, overhead valve, pressure fed lubrication, cartridge type full flow oil filter, transistor type flywheel magneto
<b>AIR CLEANER</b>	Replaceable dry cartridge element
<b>TRANSAXLE</b>	11.42:1 Helical geared with neutral lock & ground speed governor
<b>TRANSMISSION</b>	Automatic continuously variable transmission (CVT)
<b>FUEL TANK</b>	6 gallon (23 liter) tank, 36 lbs. (16 kg) fuel weight
<b>BRAKES</b>	Dual rear wheel, self-adjusting mechanical drum brakes
<b>PARKING BRAKE</b>	Automatic parking brake release with self-compensating system
<b>FRONT SUSPENSION</b>	Coil springs over hydraulic shock absorbers
<b>REAR SUSPENSION</b>	Leaf springs with hydraulic shock absorbers
<b>STEERING</b>	Single reduction rack & pinion
<b>STEERING WHEEL</b>	Dual handgrips, scorecard holder & pencil holder
<b>SEATING</b>	Foam cushion with vinyl cover and hip restraints/hand holds
<b>SEATING CAPACITY</b>	Operator & 1 passenger
<b>TOTAL LOAD CAPACITY</b>	800 lbs. (360 kg) including operator, passenger, accessories & cargo
<b>SPEED</b>	14 mph (23 kph) in forward on flat ground
<b>CHASSIS</b>	Welded tubular steel, powder coated (DuraShield™)
<b>BODY</b>	Flexible, Impact resistant, Injection Molded TPO (Thermoplastic Polyolefin) with Base Coat / Clear Coat
<b>STANDARD COLORS</b>	Ivory & Forest Green
<b>DASH PANEL</b>	Scuff resistant plastic with 4 drink holders & storage for balls & tees
<b>TIRES</b>	18 x 8.5 - 8 (4 ply rated)**
<b>TIRE PRESSURE*</b>	18 - 22 psi (124 - 152 kPa)**
<b>GROUND CLEARANCE</b>	3.3 inches (8 cm) at differential
<b>WEIGHT</b>	697 lbs (316 kg) dry weight
<b>OPERATING CONTROLS &amp; INSTRUMENTATION</b>	Removable key, 'deadman' accelerator control, direction selector, audible reverse warning
<b>NOISE</b>	Sound pressure; continued A -weighted equal to 76 db(A)
<b>VIBRATION, WBV</b>	The weighted RMS acceleration is .74 m/s <sup>2</sup>
<b>VIBRATION, HAV</b>	The weighted RMS acceleration; less than 2.5 m/s <sup>2</sup>

\*\* DO NOT use low inflation pressure tires on any E-Z-GO vehicle. DO NOT use any tire which has a recommended inflation pressure less than the inflation pressure recommended in the Owner's Guide



## RXV GAS - FREEDOM VEHICLE SPECIFICATIONS

<b>BATTERY</b>	One 12 Volt Maintenance Free
<b>ENGINE</b>	13 hp (9.7 kW) rated 24.5 cu. inch (401 cc), single cylinder, air cooled, overhead valve, pressure fed lubrication, cartridge type full flow oil filter, transistor type flywheel magneto
<b>Air Cleaner</b>	Replaceable dry cartridge element
<b>TRANSAXLE</b>	11.42:1 Helical geared with neutral lock & ground speed governor
<b>TRANSMISSION</b>	Automatic continuously variable transmission (CVT)
<b>FUEL TANK</b>	6 gallon (23 liter) tank, 36 lbs. (16 kg) fuel weight
<b>BRAKES</b>	Dual rear wheel, self-adjusting mechanical drum brakes
<b>PARKING BRAKE</b>	Automatic parking brake release with self-compensating system
<b>FRONT SUSPENSION</b>	Coil springs over hydraulic shock absorbers
<b>REAR SUSPENSION</b>	Leaf springs with hydraulic shock absorbers
<b>STEERING</b>	Single reduction rack & pinion
<b>STEERING WHEEL</b>	Dual handgrips, scorecard holder & pencil holder
<b>SEATING</b>	Foam cushion with vinyl cover and hip restraints/hand holds
<b>SEATING CAPACITY</b>	Operator & 1 passenger
<b>TOTAL LOAD CAPACITY</b>	800 lbs. (360 kg) including operator, passenger, accessories & cargo
<b>SPEED</b>	19 mph (31 kph) in forward on flat ground
<b>CHASSIS</b>	Welded tubular steel, powder coated (DuraShield™)
<b>BODY</b>	Flexible, Impact resistant, Injection Molded TPO (Thermoplastic Polyolefin) with Base Coat / Clear Coat
<b>STANDARD COLORS</b>	Ivory & Forest Green
<b>DASH PANEL</b>	Scuff resistant plastic with 4 drink holders & storage for balls & tees
<b>TIRES</b>	18 x 8.5 - 8 (4 ply rated)**
<b>TIRE PRESSURE*</b>	18 - 22 psi (124 - 152 kPa)**
<b>LIGHTS</b>	HEAD LIGHTS, TAIL LIGHTS, BRAKE LIGHTS
<b>GROUND CLEARANCE</b>	3.3 inches (8 cm) at differential
<b>WEIGHT</b>	697 lbs (747 kg) dry weight
<b>OPERATING CONTROLS &amp; INSTRUMENTATION</b>	Removable key, 'deadman' accelerator control, direction selector, audible reverse warning
<b>NOISE VIBRATION, WBV VIBRATION, HAV</b>	Sound pressure; continued A -weighted equal to 76 db(A) The weighted RMS acceleration is .74 m/s <sup>2</sup> The weighted RMS acceleration; less than 2.5 m/s <sup>2</sup>

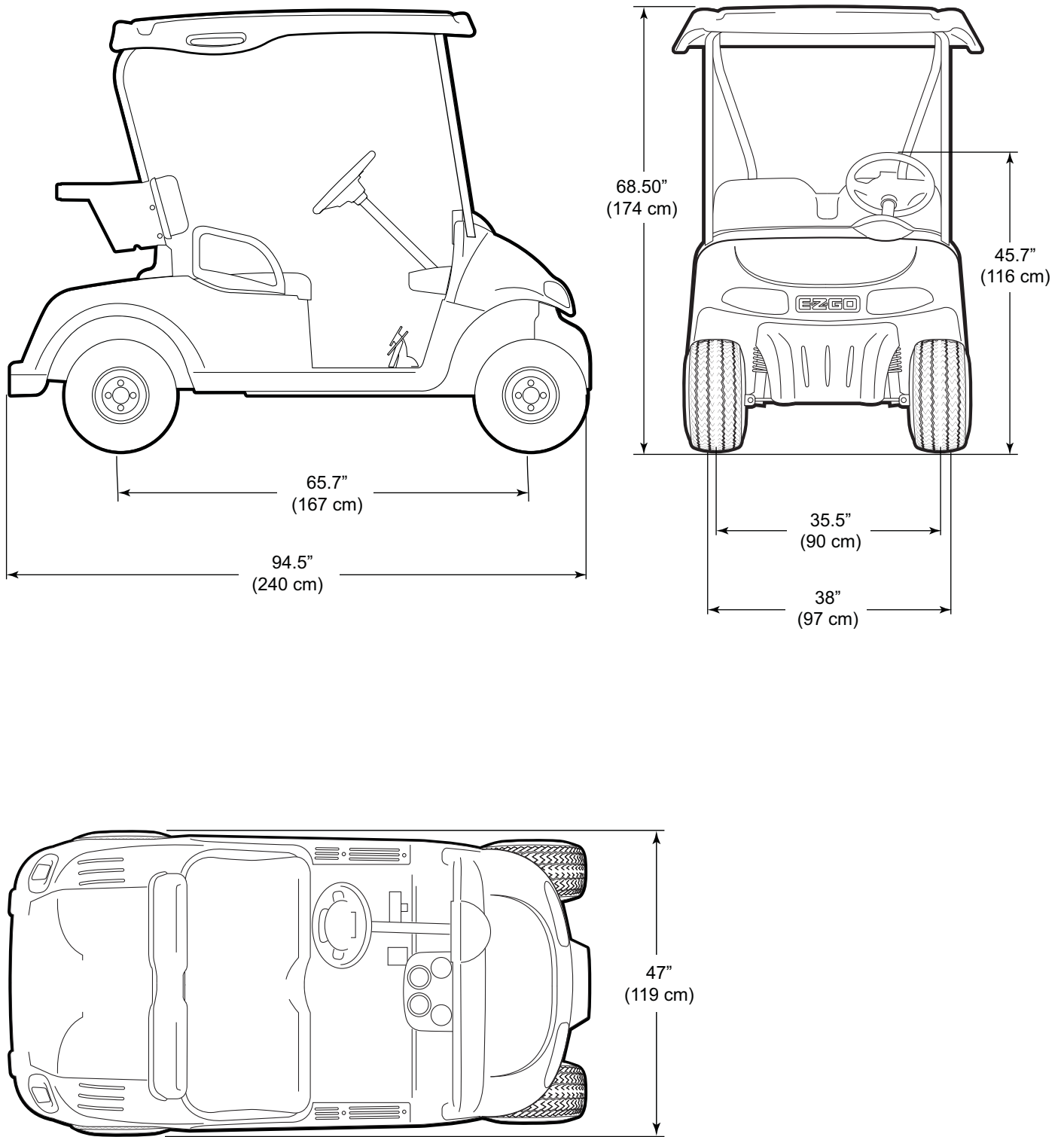
\*\* DO NOT use low inflation pressure tires on any E-Z-GO vehicle. DO NOT use any tire which has a recommended inflation pressure less than the inflation pressure recommended in the Owner's Guide

# GENERAL SPECIFICATIONS

## RXV GAS - SHUTTLE 2 + 2 VEHICLE SPECIFICATIONS

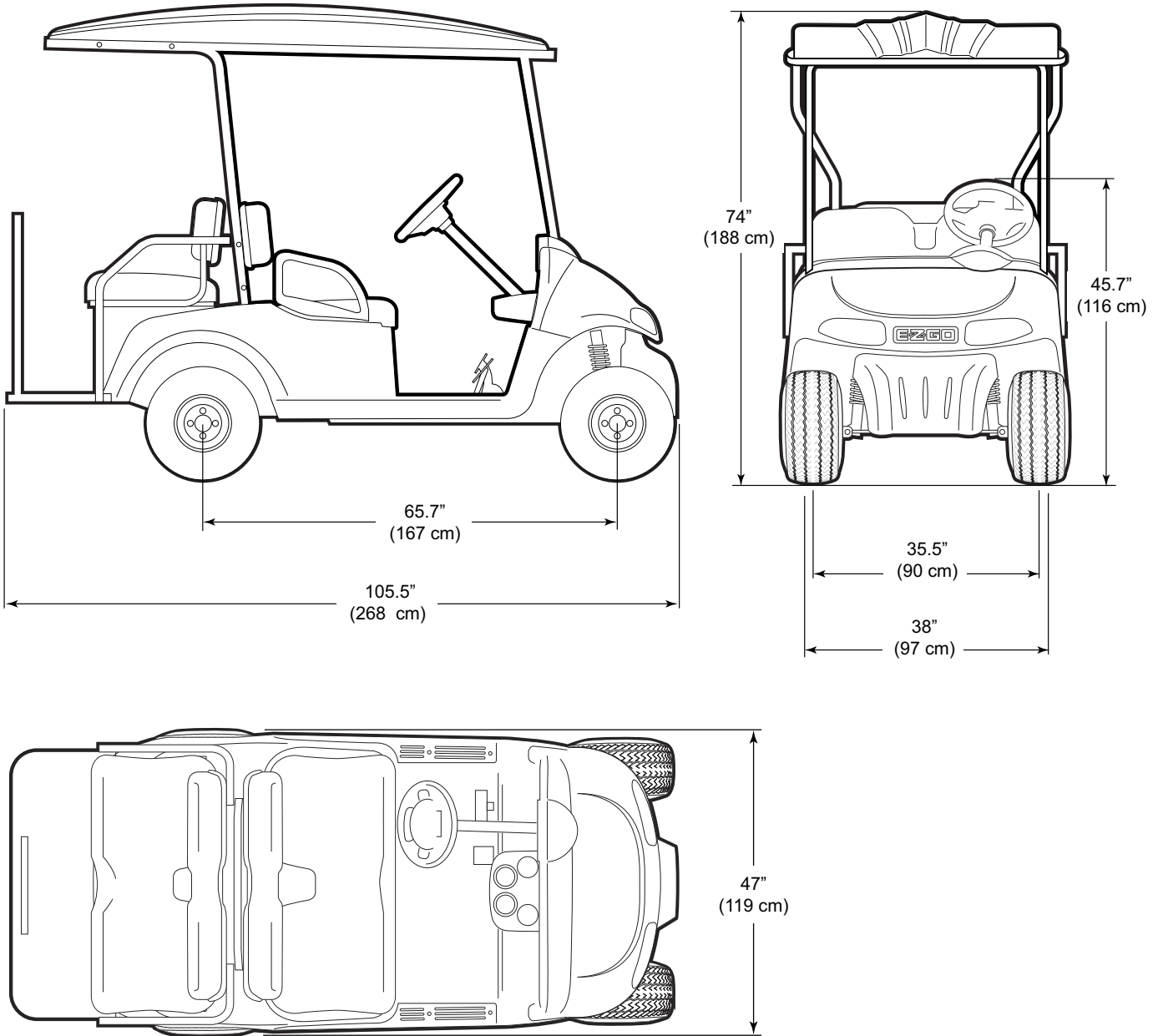
<b>BATTERY</b>	One 12 Volt Maintenance Free
<b>ENGINE</b>	13 hp (9.7 kW) rated 24.5 cu. inch (401 cc), single cylinder, air cooled, overhead valve, pressure fed lubrication, cartridge type full flow oil filter, transistor type flywheel magneto
<b>AIR CLEANER</b>	Replaceable dry cartridge element
<b>TRANSAXLE</b>	11.42:1 Helical geared with neutral lock & ground speed governor
<b>TRANSMISSION</b>	Automatic continuously variable transmission (CVT)
<b>FUEL TANK</b>	6 gallon (23 liter) tank, 36 lbs. (16 kg) fuel weight
<b>BRAKES</b>	Dual rear wheel, self-adjusting mechanical drum brakes
<b>PARKING BRAKE</b>	Automatic parking brake release with self-compensating system
<b>FRONT SUSPENSION</b>	Coil springs over hydraulic shock absorbers
<b>REAR SUSPENSION</b>	Leaf springs with hydraulic shock absorbers
<b>STEERING</b>	Single reduction rack & pinion
<b>STEERING WHEEL</b>	Dual handgrips, scorecard holder & pencil holder
<b>SEATING</b>	Foam cushion with vinyl cover and hip restraints/hand holds
<b>SEATING CAPACITY</b>	Operator & 3 passengers
<b>TOTAL LOAD CAPACITY</b>	700 lbs. (318 kg) including operator, passenger, accessories & cargo
<b>SPEED</b>	14 mph (23 kph) in forward on flat ground
<b>CHASSIS</b>	Welded tubular steel, powder coated (DuraShield™)
<b>BODY</b>	Flexible, Impact resistant, Injection Molded TPO (Thermoplastic Polyolefin) with Base Coat / Clear Coat
<b>STANDARD COLORS</b>	Ivory & Forest Green
<b>DASH PANEL</b>	Scuff resistant plastic with 4 drink holders & storage for balls & tees
<b>TIRES</b>	18 x 8.5 - 8 (4 ply rated)**
<b>TIRE PRESSURE*</b>	18 - 22 psi (124 - 152 kPa)**
<b>GROUND CLEARANCE</b>	3.3 inches (8 cm) at differential
<b>WEIGHT</b>	788 lbs (357 kg) dry weight
<b>OPERATING CONTROLS &amp; INSTRUMENTATION</b>	Removable key, 'deadman' accelerator control, direction selector, audible reverse warning
<b>NOISE VIBRATION, WBV VIBRATION, HAV</b>	Sound pressure; continued A -weighted equal to 76 db(A) The weighted RMS acceleration is .93 m/s <sup>2</sup> The weighted RMS acceleration; less than 2.5 m/s <sup>2</sup>

\*\* DO NOT use low inflation pressure tires on any E-Z-GO vehicle. DO NOT use any tire which has a recommended inflation pressure less than the inflation pressure recommended in the Owner's Guide

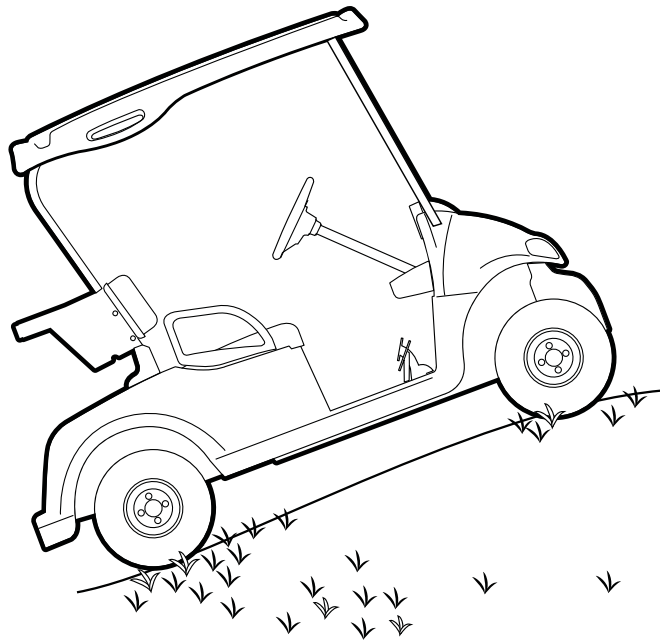


**Fig. 42 Flee & Freedom Vehicle Dimensions**

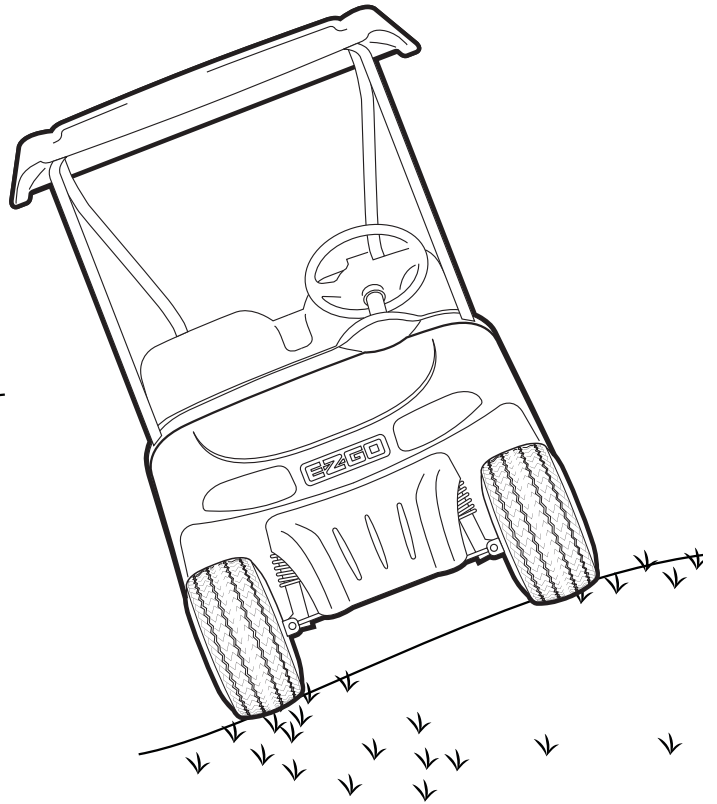
# GENERAL SPECIFICATIONS



**Fig. 42 Shuttle 2 + 2 Vehicle Dimensions**



RECOMMENDED MAX RAMP  
25% GRADE OR 14° MAX



RECOMMENDED MAX SIDE TILT  
25% GRADE OR 14° MAX

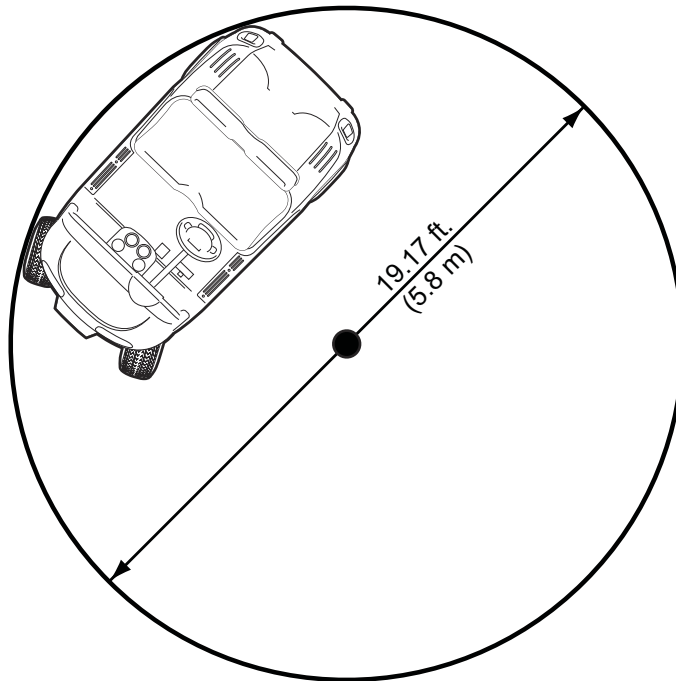


Fig. 43 Vehicle Dimensions, Incline Specifications and Turning Clearance Diameter



## LIMITED WARRANTIES



## **DOMESTIC WARRANTY** (U.S. AND CANADA)

To obtain a copy of the limited warranty applicable to the vehicle, call or write a local distributor, authorized Branch or the Warranty Department with vehicle serial number and manufacturer date code.

**DECLARATION OF CONFORMITY  
(EUROPE ONLY)**

# DECLARATION OF CONFORMITY

EC Declaration of Conformity • Déclaration de Conformité CE • EG Conformiteits-Declaratie •  
EG-Konformitätsbescheinigung • Certificato di Conformità CE • EF Konformitetserklæring •  
EU Uppfyllandecertifikat • Ilmoitus yhdenmukaisuudesta ey:n sääntöjen kanssa • Declaración de Conformidad  
de la CE • Declaração de Conformidade da CE

We hereby declare that the product • Par la présente, nous déclarons que le produit • Hierbij verklaren we dat het product • Wir erklären hiermit, dass das Produkt • Con la presente dichiariamo che il prodotto • Vi erklærer herved, at produktet • Vi deklarerer härmed att produkten • Ilmoitamme täten, että tuote • Declaramos que el producto • Pela presente, declaramos que o produto:

Product Name • Nom du produit • Productnaam • Produktname •  
Nome del prodotto • Produktnavn • Produktens navn • Tuotenimi •  
Producto • Nome do produto: ..... E-Z-GO, RXV Fleet, RXV Freedom and Shuttle 2+2 Golf Car– Gas

Models • Modèles • Modellen • Modelle • Modelli • Modeller • Modellerna •  
Mallit • Modelos • Modelos: ..... RXV Fleet Gas  
RXV Freedom Gas  
RXV Shuttle 2+2 Gas (13 Hp.)\*\*

Product Numbers • Numéros de produit • Productnummers •  
Produktnummern • Numeri del prodotto • Produktnumre • Produktnummer •  
Tuotenumerot • Números de producto • Números de produto: ..... 606601, 606603, 606605

Product Description • Description du produit • Productbeschrijving •  
Produktbeschreibung • Product Description • Produktbeskrivelse •  
Produktbeskrivning • Tuotteen kuvaus • Descrizione del prodotto •  
Descrição do Produto: ..... Four wheeled, gasoline powered fleet, Freedom , Shuttle 2+2 Golf Vehicles

To which this Declaration relates is in conformity with the following standard(s) or other normative documents • Auquel se réfère cette déclaration est conforme à la/aux norme(s) suivante(s) ou autres documents normatifs • Naar welke deze Verklaring verwijst, in conformiteit is met de volgende standaard(s) of andere normatieve documenten • Auf das sich diese Erklärung bezieht, den folgenden Normen und anderen normengleichen Unterlagen entspricht • Al quale la presente dichiarazione si riferisce, è conforme alle norme o ad altri documenti normativi di seguito citati • Som denne erklæring vedrører, er i overensstemmelse med følgende standard(er) eller andre normgivende dokumenter • Till vilken denna deklaration relaterar uppfyller följande standard(er) eller andra normgivande dokument • Johon tämä ilmoitus liittyy, on seuraavien standardien tai muiden normien mukainen • A los que esta declaración se aplica cumple los siguientes estándares o documentos normativos • Ao qual esta declaração diz respeito, se encontra em conformidade com a(s) seguinte(s) norma(s) ou outra legislação.

Machinery Directive • Directive relative aux machines •  
Richtlijn voor machinerie • Maschinenrichtlinie • Direttiva sui macchinari •  
Maskindirektiv • Maskindirektiv • Konedirektiivi •  
Directiva sobre maquinaria • Directiva sobre máquinas: ..... 98/37/EC:1998  
..... 2006/42/EC

Electromagnetic Compatibility (EMC) Directive • Directive de compatibilité électromagnétique (CEM) • Richtlijn voor elektromagnetische compatibiliteit (EMC) •  
Richtlinie über elektromagnetische Verträglichkeit (EMV) • Direttiva sulla compatibilità elettromagnetica (EMC) •  
Direktiv om elektromagnetisk kompatibilitet (EMC) • Elektromagnetiska kompatibilitetsdirektivet (EMC) •  
Sähkömagneettista yhteensopivuutta (EMC) koskeva direktiivi •  
Directiva de compatibilidad electromagnética •  
Directiva sobre compatibilidade magnética (EMC): ..... EN 61000-6-2:2005  
EN 61000-6-4:2001

Garden equipment: Powered lawnmowers; Safety • Equipements de jardin : Tondeuses à moteur ; Sécurité •  
Tuinapparatuur: Aangedreven gazonmaaimachine; Veiligheid • Gartengeräte: angetriebene Rasenmäher; Sicherheit •  
Attrezzature per giardini: tosaerba elettrici; Sicurezza • Haveudstyr: Motoriserede plæneklippere, sikkerhed •  
Trädgårdsutrustning: Motorförsedda gräsklippare, säkerhet • Puutarhakoneet: Moottoroidut ruohonleikkurit; Turvallisuus •  
Equipos para jardín: cortacéspedes; seguridad •  
Equipamento de jardim: corta-relvas motorizados; Segurança: ..... EN 836

Normative References • Références normatives • Normatieve referenties •  
Normengleiche Unterlagen • Riferimenti alle normative • Normgivende referencer •  
Normativa referenser • Normiviittaukset • Referencias normativas •  
Referências normativas: ..... Directive 73/23/EEC, 89/336/EEC, 2002/88/EC\*\*  
EN 1050, EN 60204-1, EN 563, EN 953, EN ISO 12100-1, EN ISO 12100-2, EN 349,  
EN ISO 13850, EN ISO 13849, EN 1037, EN 547-1, EN 547-2, EN 547-3

• when fitting with the following: • wenn das Produkt mit folgendem Zubehör ausgestattet ist: • con los accesorios siguientes instalados:  
• lorsque ce produit est muni des accessoires suivants: • når den er udstyret med følgende tilbehør: • quando dotato dei seguenti accessori:  
• quando equipado com os acessórios seguintes: • wanneer het product is uitgerust met de volgende accessoires: • når den är utrustad med följande tillbehör:

#####

As a representative of E-Z-GO a Textron Company • En qualité de représentant d'E-Z-GO a Textron Company • Als vertegenwoordiger van E-Z-GO a Textron Company • Als Vertreter von E-Z-GO a Textron Company • In veste di rappresentante di E-Z-GO a Textron Company • E-Z-GO a Textron Company-virksomhed • Såsom varande representant för E-Z-GO a Textron Company • E-Z-GO a Textron Company edustaja • Como representante de E-Z-GO a Textron Company • O representante da E-Z-GO a Textron Company:



Date: \_\_\_ 13th February 2008

Ronald L. Otten  
Vice President of Engineering  
E-Z-GO a Textron Company  
1451 Marvin Griffin Road  
Augusta, Georgia 30906, USA  
rlotten@textron.com  
Phone: (706) 798-4311  
Fax: (706) 771-4602



# DECLARATION OF CONFORMITY

## ΕΕ Δήλωση Συμμόρφωσης •

Prohlášení o shodě ES • Dikjarazzjoni ta' Konformità tal-KE • EÜ vastavusavaldus •

Deklaracja zgodności WE • EC Megfelelősségi nyilatkozat •

Izjava ES o skladnosti • EC Atbilstības deklarācija •

EC Vyhlášení o zhode • EC Uyum Beyaný

Με την παρούσα δηλώνουμε ότι το προϊόν • Tímto prohlašujeme, že výrobek • Na niddikjaraw li l-prodott • Käesolevaga anname me teada, et toode • Niniejszym zaświadczamy, że produkt • Kijelentjük, hogy az alábbi termék • S tem izjavljamo, da je izdelek • Ar do paziňojam, ka produkts • Týmto potvrdzujeme, že výrobok • Ýpbu Bildirimin konusu olan ürünün:

Όνομα Προϊόντος • Název výrobku • Isem tal-Prodott • Toote nimetus •

Nazwa produktu • Termék neve • Ime izdelka • Produkta nosaukums •

Názov výrobku • Ürün Ady: ..... E-Z-GO, RXV Fleet, RXV Freedom and Shuttle 2+2 Golf Car– Gas

Models • Modèles • Modellen • Modelle • Modelli • Modeller • Modellerna •

Mallit • Modelos • Modelos: ..... RXV Fleet Gas  
RXV Freedom Gas  
RXV Shuttle 2+2 Gas (13 Hp.)\*\*

Product Numbers • Numéros de produit • Productnummers •

Produktnummern • Numeri del prodotto • Produktnumre • Produktnummer •

Tuotenumerot • Números de producto • Números de produto: ..... 606601, 606603, 606605

Product Description • Description du produit • Productbeschrijving •

Produktbeschreibung • Product Description • Produktbeskrivelse •

Produktbeskrivning • Tuotteen kuvaus • Descrizione del prodotto •

Descrição do Produto: ..... Four wheeled, gasoline powered fleet, Freedom, Shuttle 2+2 Golf Vehicles  
Στο οποίο αφορά η παρούσα Δήλωση συμμορφώνεται με το (τα) ακόλουθο (α) πρότυπο (α) ή άλλα κανονιστικά έγγραφα • K nimuž se vztahuje toto prohlášení, je ve shodě s následujícími normami nebo jinými normativními dokumenty • Alih din id-Dikjarazzjoni tapplika, hu konformi ma' l-istandard(s) li ejjin jew ma' rajn • See, millele see deklaratsioon toetub, on kooskõlas järgnevat standarditega või muude normatiivdokumentidega • Do którego odnosi się niniejsza deklaracja spełnia następujący(e) wymóg (wymogi) i przepisy • Amelyre a jelen nyilatkozat vonatkozik, megfelel a következő szabvány(ok)nak vagy egyéb jogszabályi előírásoknak • Na katerega se ta izjava nanaša, v skladu s sledečimi standardi ali drugimi normativnimi dokumenti • Uz kuru attiecas šī Deklarācija, atbilst dažām (- iem) standartam (- iem) vai citiem normatīvajiem dokumentiem • Ktorého sa týka toto vyhlášení, je v súlade s nasledovnou normou (nasledovnými normami) a inými normatívnymi dokumentmi • Apaýdaki standartlar veya diđer düzenleyici belgelere uygun olduđunu beyan ederiz.

Οδηγία για τα Μηχάνημα • Strojirenská smírnice • Direttiva dwar il-Makkinarju •

Tootmisseadete direktiiv • Dyrektywa Maszynowa • Gépekról szóló irányelv •

Direktiva o strojih • Mađinu direktívai • Smernica o strojoch • Makine Direktífi: ..... 98/37/EC:1998

..... 2006/42/EC

Οδηγία για την Ηλεκτρομαγνητική Συμβατότητα (EMC) • Smírnice o elektromagnetické sluēitelnosti (EMC) •

Direttiva dwar il-Kompatibilità Elektromanjetika (EMC) • Elektromagneetilise ühtivuse (EMC) direktiiv •

Dyrektywa Kompatybilności Elektromagnetycznej (EMC) • Elektromágneses összeférhetőségről szóló (EMC) irányelv •

Direktiva o elektromagnetni združljivosti (EMC) • Elektromagnētiskās savietojamības (EMC) direktīvai •

Smernica o elektromagnetickéj kompatibilitě (EMC) •

Elektromagnetik Uygunluk (EMC) Direktífi: ..... EN 61000-6-2:2005

EN 61000-6-4:2001

Εξοπλισμός κήπου: Μηχανοκίνητες χλοοκοπτικές μηχανές, Ασφάλεια • Zahradní vybavení: Sekačky na trávu s pohonem; bezpečnost •

Mir tal-nien: Lawnmowers ta' l-elekttriku; Sigurtà • Aiatőriistad: Elektrii- või mootormuruniidukid; Ohutus •

Wyposażenie ogrodu: Kosiarki do trawy z napędem; Bezpieczeństwo • Kerti felszerelés: Elektromos fűnyíró; biztonság •

Oprema za vrt: električna vrtna kosilnica; varnost • Dārza aprīkojuma: zāles pārgājēju pāraujmađinu; drošības •

Záhradné zariadenie: kosačky na trávu s pohonom; bezpečnosť •

Bahçe ekipmanları: Elektrikli çim biçme makineleri; Güvenlik: ..... EN 836

Κανονιστικές Αναφορές • Normativní odkazy • Referenzi Normattivi •

Vitied normatívidiele • Odpowiednie akty prawne • Rendelkező hivatkozások •

Normative reference • Normatīvās atsauces • Normative referencie • ..... Directive 73/23/EEC, 89/336/EEC, 2002/88/EC\*\*

EN 1050, EN 60204-1, EN 563, EN 953, EN ISO 12100-1, EN ISO 12100-2, EN 349,  
EN ISO 13850, EN ISO 13849, EN 1037, EN 547-1, EN 547-2, EN 547-3

• when fitting with the following:

608816

Ως εκπρόσωπος της E-Z-GO a Textron Company • Jako zástupce firmy E-Z-GO a Textron Company • Ala rapprezentant ta' E-Z-GO a Textron Company • E-Z-GO a Textron Company esindajana • W imieniu E-Z-GO a Textron Company • Az E-Z-GO a Company képviselőjeként • Kot zastopnik družbe E-Z-GO a Textron Company • E-Z-GO a Textron Company užičmums • Zástupca E-Z-GO a Textron Company • E-Z-GO a Textron Company'nun temsilcisi olarak:



Date: 13th February 2008

Ronald L. Otten

Vice President of Engineering

E-Z-GO a Textron Company

1451 Marvin Griffin Road

Augusta, Georgia 30906, USA

rlotten@textron.com

Phone: (706) 798-4311

Fax: (706) 771-4602



Greek



Czech



Maltese



Estonian



Polish



Hungarian



Slovenian



Latvian



Slovak



Turkish

# DECLARATION OF CONFORMITY

## NOTE

Read and understand the following warnings before attempting to operate the vehicle:

## WARNING

**To prevent personal injury or death, observe the following:**

**When vehicle is to be left unattended, engage parking brake, move direction selector to 'F' (forward) position, turn key to 'OFF' position and remove key.**

**Drive vehicle only as fast as terrain and safety considerations allow. Consider the terrain and traffic conditions. Consider environmental factors which effect the terrain and the ability to control the vehicle.**

**Avoid driving fast down hill. Sudden stops or change of direction may result in a loss of control. Use service brake to control speed when traveling down an incline.**

**Use extra care and reduced speed when driving on poor surfaces, such as loose dirt, wet grass, gravel, etc.**

**All travel should be directly up or down hills.**

**Use extra care when driving the vehicle across an incline.**

**Stay in designated areas and avoid steep slopes. Use the parking brake whenever the vehicle is parked.**

**Keep feet, legs, hands and arms inside vehicle at all times.**

**Avoid extremely rough terrain.**

**Check area behind the vehicle before operating in reverse.**

**Make sure the direction selector is in correct position before attempting to start the vehicle.**

**Slow down before and during turns. All turns should be executed at reduced speed.**

**Always bring vehicle to a complete stop before shifting the direction selector.**

**See GENERAL SPECIFICATIONS for vehicle load and seating capacity.**

## NOTE

Read and understand the following text and warnings before attempting to service vehicle:

In any product, components will eventually fail to perform properly as the result of normal use, age, wear or abuse.

It is virtually impossible to anticipate all possible component failures or the manner in which each component may fail.

Be aware that a vehicle requiring repair indicates that the vehicle is no longer functioning as designed and therefore should

be considered potentially hazardous. Use extreme care when working on any vehicle. When diagnosing, removing or replacing any components that are not operating correctly, take time to consider the safety of yourself and others around you should the component move unexpectedly.

Some components are heavy, spring loaded, highly corrosive, explosive or may produce high amperage or reach high temperatures. Gasoline, carbon monoxide, battery acid and hydrogen gas could result in serious bodily injury to the technician/mechanic and bystanders if not treated with the utmost caution. Be careful not to place hands, face, feet or body in a location that could expose them to injury should an unforeseen situation occur.

Always use the appropriate tools listed in the tool list and wear approved safety equipment.

## WARNING

**Before working on the vehicle, remove all jewelry (rings, watches, necklaces, etc.)**

**Be sure that no loose clothing or hair can contact moving parts.**

**Use care not to touch hot objects.**

**Raise rear of vehicle and support on jack stands before attempting to run or adjust powertrain.**

**Wear eye protection when working on or around vehicle. In particular, use care when working around batteries, using solvents or compressed air.**

**Hydrogen gas is formed when charging batteries. Do not charge batteries without adequate ventilation.**

**Do not permit open flame or anyone to smoke in an area that is being used for charging batteries. A concentration of 4% hydrogen gas or more is explosive.**

**Engine exhaust gas (carbon monoxide) is deadly. Carbon monoxide is an odorless, colorless gas that is formed as a natural part of incomplete combustion of hydrocarbon fuels. Carbon monoxide is a dangerous gas that can cause unconsciousness and is potentially lethal.**

**The following are symptoms of carbon monoxide inhalation:**

- Dizziness
- Vomiting
- Intense headache
- Muscular twitching
- Weakness and sleepiness
- Throbbing in temples

**If any of these symptoms are experienced, get fresh air immediately. Never work around or operate a vehicle in an environment that does not ventilate exhaust gases from the area.**

---

UK & Europe  
Ransomes Jacobsen Limited  
West Road, Ransomes Europark, Ipswich, IP3 9TT  
English Company Registration No. 1070731  
[www.ransomesjacobsen.com](http://www.ransomesjacobsen.com)

1451 Marvin Griffin Road, Augusta, GA | (800) 241-5855  
[www.ezgo.com](http://www.ezgo.com) | © 2007 E-Z-GO Division of Textron Inc.

