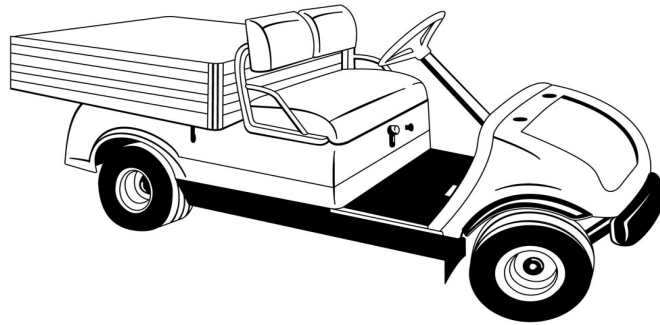




YAMAHA

YAMAHA GOLF-CAR COMPANY

PARTS CATALOG

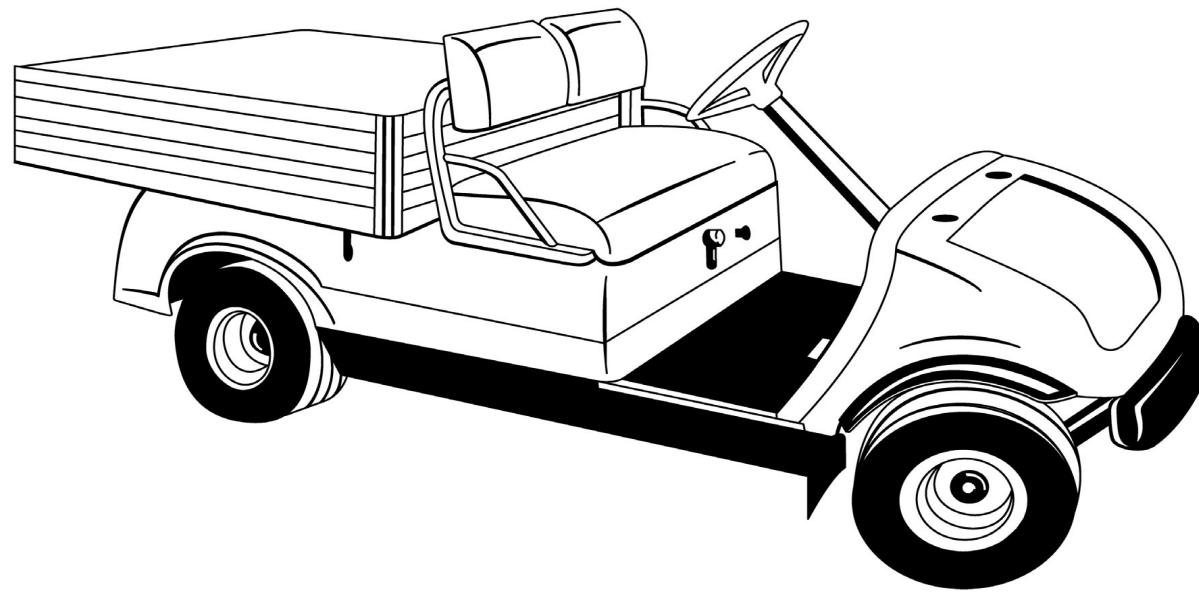


2004 G21AZ

(JR61) U.S.A., CANADA, EUROPE, OTHERS

OCTOBER 2003

1CJR6-100E1



FOREWARD

This Parts Catalogue is related to the parts for the model(s) shown in the frame below. When you are ordering replacement parts, please refer to this Parts Catalogue and quote both part numbers and part names correctly.

G21A (JR61)

1. Modifications or additions which have been made after issue of the Parts Catalogue will be announced in the Yamaha Parts News. It is advisable that you make necessary corrections to the Parts Catalogue according to the Yamaha Parts News.

2. Abbreviations
The following abbreviations are used in this Parts Catalogue.

- "UR" Use specified part number.
- "UN" Use as many as needed.
- "AP" Alternate parts.
- "LM" Local Made (Parts need to be ordered locally)
- "F#" Frame Number (Applicable machine number)

3. Parts, which are to be supplied in an assembly, are listed with a dot (.) in front of the part name as shown below.

EXAMPLE
 CARBURETOR ASSY
 .JET, PILOT
 .NOZZLE, MAIN

4. Number of component for assembly
 The numeral appearing to the right of each component part indicates the quantity of parts for each assembly unit.

EXAMPLE

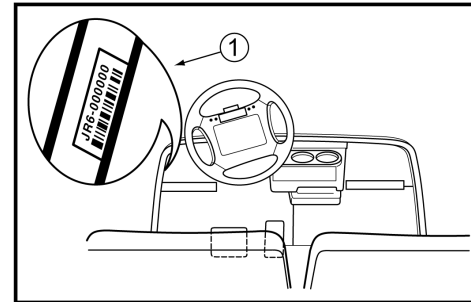
| PART NO. | DESCRIPTION | Q'TY | REMARKS |
|--------------|--------------------------|------|---------|
| 2F5-83310-60 | FRONT FLASHER LIGHT ASSY | 2 | |
| 115-83311-60 | .BULB (6V-18W) | 1 | |

5. Applicable colors of graphics are represented in the "REMARKS" as shown below.

| PART NO. | DESCRIPTION | Q'TY | REMARKS |
|-----------------|---------------------|------|-----------|
| 2N4-24110-00-X5 | FUEL TANK COMP. | 1 | MAXIM RED |
| 3J1-24240-10 | .GRAPHIC, FUEL TANK | 1 | for MXR |

6. Applicable Serial No. and Color Code

① Frame Serial No. JR6-000101 ~



7. Note that the illustrations are for reference in finding parts numbers, not to be used for assembling. When assembling, please use the applicable service manual.

8. The asterisk (*) before a reference number indicates modification items after the first edition.

FIG. 1 ENGINE ASSEMBLY

| REF NO. | PART NUMBER | DESCRIPTION | QTY | REMARKS |
|---------|-----------------|-----------------|-----|---------|
| 1 | JR6-19001-00-00 | ENGINE ASSEMBLY | 1 | |

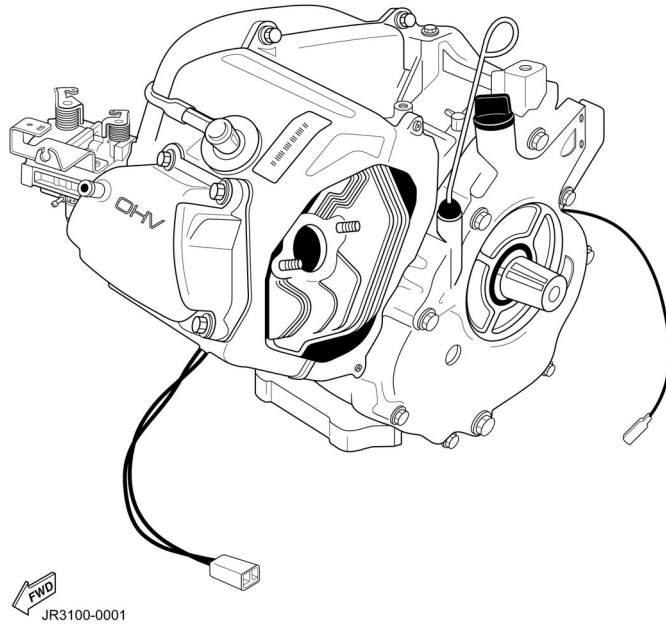
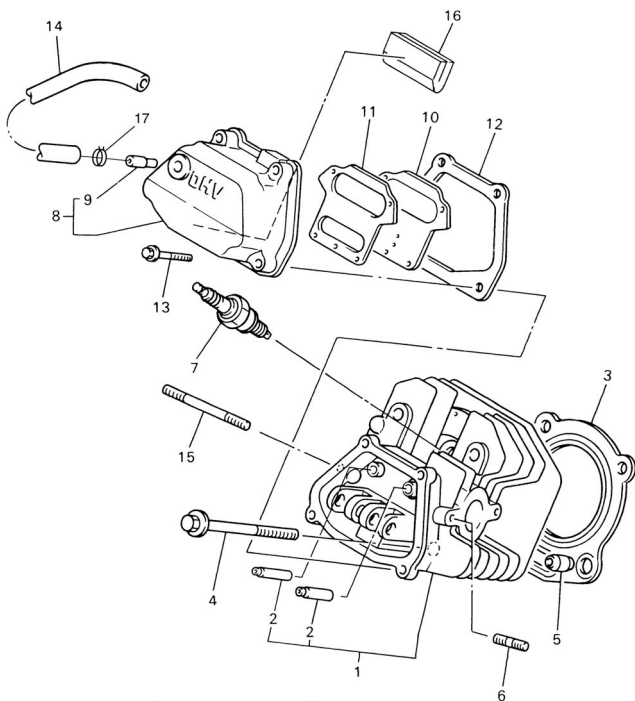


FIG. 2 CYLINDER HEAD

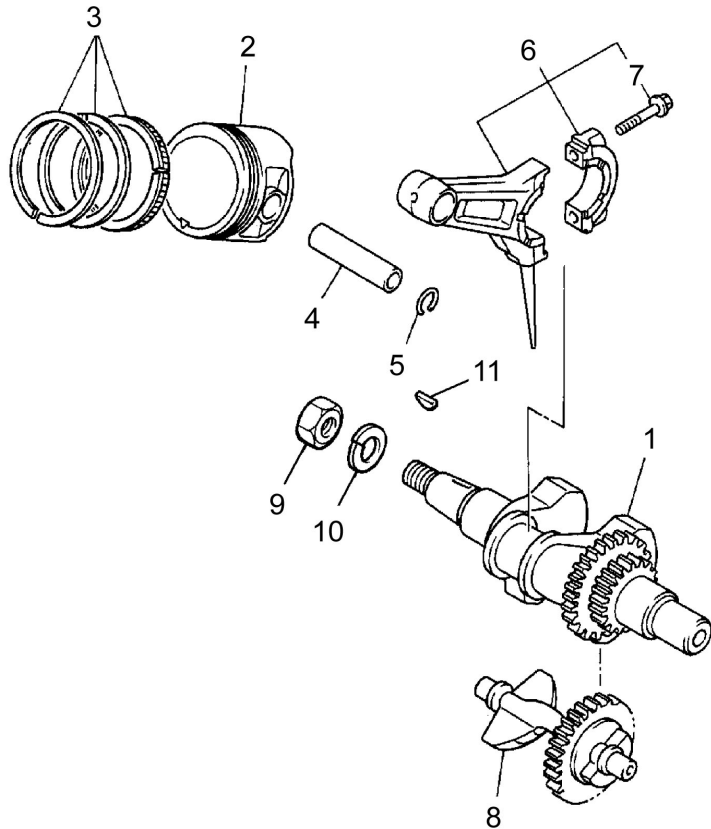


| REF NO. | PART NUMBER | DESCRIPTION | QTY | REMARKS |
|---------|-----------------|-------------------------|-----|-------------|
| 1 | JT0-11111-00-00 | HEAD, CYLINDER 1 | 1 | |
| 2 | JN6-11133-10-00 | .GUIDE, INTAKE VALVE | 2 | |
| 3 | JT0-11181-00-00 | GASKET, CYLINDER HEAD 1 | 1 | |
| 4 | 95817-10070-00 | BOLT, FLANGE | 4 | |
| 5 | 99530-14016-00 | PIN, DOWEL A | 2 | |
| 6 | 95617-08618-00 | BOLT, STUD | 2 | |
| 7 | NGK-BPR2E-S0-00 | PLUG, SPARK | 1 | STD, U.S. |
| | 94702-00348-00 | PLUG, SPARK | 1 | STD, EUROPE |
| | NGK-BPR4E-S0-00 | PLUG, SPARK | 1 | AP, U.S. |
| | 94702-00343-00 | PLUG, SPARK | 1 | AP, EUROPE |
| 8 | JN6-11191-01-00 | COVER, CYLINDER HEAD 1 | 1 | |
| 9 | JN6-11116-00-00 | .JOINT, BREATHER PIPE | 1 | |
| 10 | JN6-11168-00-00 | COVER, BREATHER | 1 | |
| 11 | JN6-11169-00-00 | GASKET, BREATHER COVER | 1 | |
| 12 | JN6-11193-00-00 | GASKET, HEAD COVER 1 | 1 | |
| 13 | 95817-06030-00 | BOLT, FLANGE | 4 | |
| 14 | JN6-E1166-00-00 | PIPE, BREATHER 1 | 1 | |
| 15 | 95617-08710-00 | BOLT, STUD | 2 | |
| 16 | JR7-11163-00-00 | ELEMENT | 1 | |
| 17 | 90467-13847-00 | CLAMP | 2 | |



JT01010-0011

FIG. 3 CRANKSHAFT / PISTON

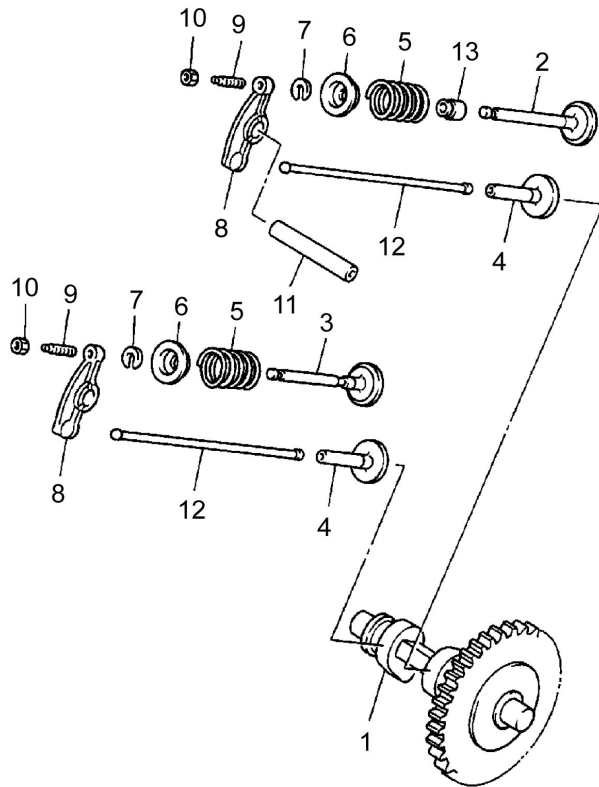


| REF NO. | PART NUMBER | DESCRIPTION | QTY | REMARKS |
|---------|-----------------|-------------------------------|-----|---------|
| 1 | JN6-11400-00-00 | CRANK SHAFT ASSY. | 1 | |
| 2 | JR7-11631-00-A0 | PISTON, (STD) | 1 | STD |
| | JR7-11635-00-00 | PISTON, (0.25mm O/S) | 1 | AP |
| | JR7-11636-00-00 | PISTON (0.50mm O/S) | 1 | AP |
| 3 | JR7-11610-00-00 | PISTON RING SET, STD. | 1 | STD |
| | JR7-11610-10-00 | PISTON RING SET, (0.25mm O/S) | 1 | AP |
| | JR7-11610-20-00 | PISTON RING SET, (0.50mm O/S) | 1 | AP |
| 4 | 583-11633-00-00 | PIN, PISTON | 1 | |
| 5 | 93450-21053-00 | CIRCLIP | 2 | |
| 6 | JN6-11650-00-00 | CONNECTING ROD ASSY | 1 | |
| 7 | JN6-11654-00-00 | .BOLT, CONNECTING ROD | 2 | |
| 8 | JN6-11454-00-00 | WEIGHT, 1 | 1 | |
| 9 | 95317-18600-00 | NUT, HEX. | 1 | |
| 10 | 90201-18620-00 | WASHER, PLAIN | 1 | |
| 11 | 90280-04052-00 | KEY, WOODRUFF | 1 | |



JN7010-6020

FIG. 4 CAMSHAFT / VALVE



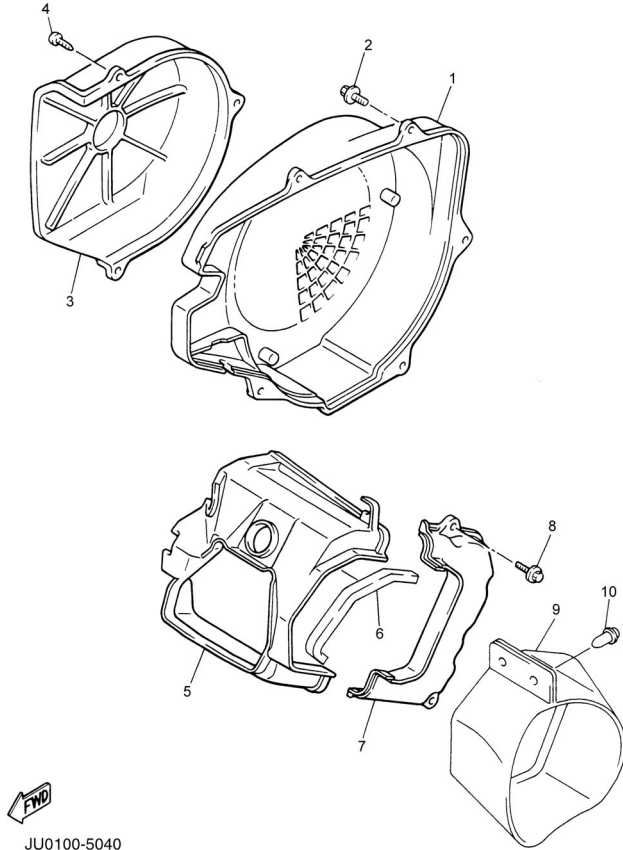
| REF NO. | PART NUMBER | DESCRIPTION | QTY | REMARKS |
|---------|-----------------|------------------------|-----|---------|
| 1 | JR7-12170-00-00 | CAMSHAFT ASSY. 1 | 1 | |
| 2 | JN6-12111-01-00 | VALVE, INTAKE | 1 | |
| 3 | 7RH-12121-00-00 | VALVE, EXHAUST | 1 | |
| 4 | JN6-12153-00-00 | LIFTER, VALVE | 2 | |
| 5 | 90501-264A9-00 | SPRING, COMPRESSION | 2 | |
| 6 | J38-12117-01-00 | RETAINER, VALVE SPRING | 2 | |
| 7 | J38-12118-00-00 | COTTER, VALVE | 2 | |
| 8 | JN6-12151-00-00 | ARM, VALVE ROCKER | 2 | |
| 9 | 22F-12159-00-00 | SCREW, VALVE ADJUSTING | 2 | |
| 10 | 90170-05302-00 | NUT, HEX. | 2 | |
| 11 | J38-12156-00-00 | SHAFT, ROCKER 2 | 1 | |
| 12 | JR7-12154-01-00 | ROD, VALVE PUSH | 2 | |
| 13 | 5H0-12119-00-00 | SEAL, VALVE STEM | 1 | |



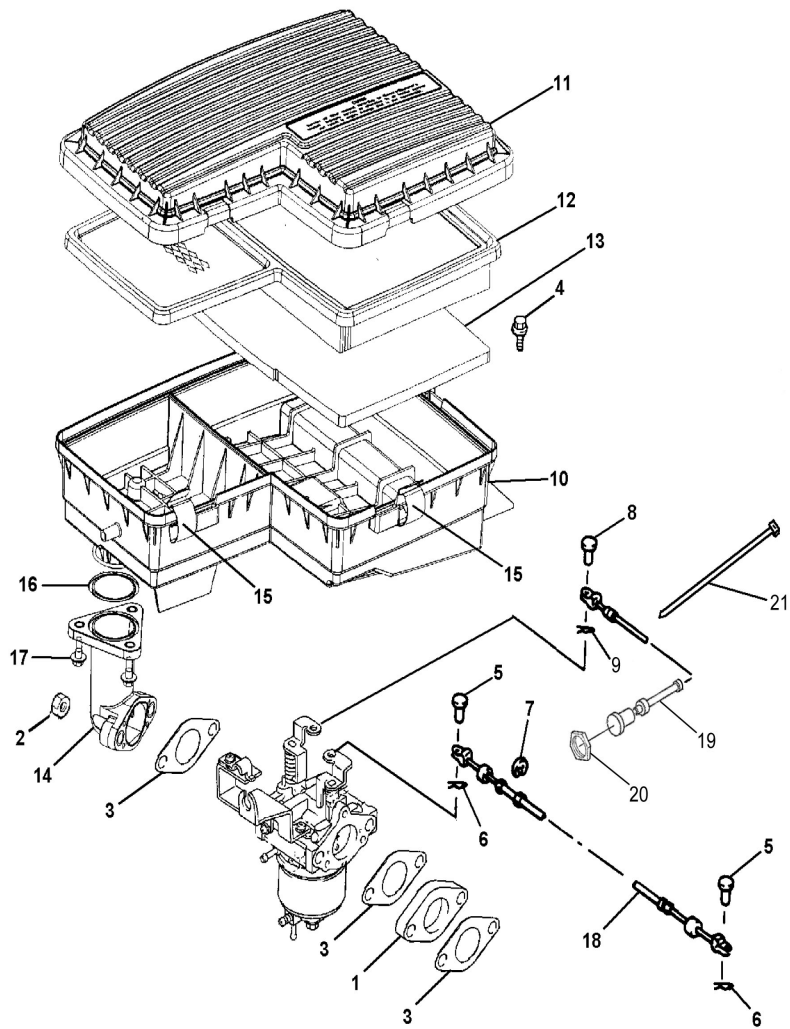
JN7010-6030

FIG. 5 AIR SHROUD / FAN

| REF NO. | PART NUMBER | DESCRIPTION | QTY | REMARKS |
|---------|-----------------|------------------------|-----|---------|
| 1 | JN6-12621-00-00 | CASE, FAN | 1 | |
| 2 | 95817-06020-00 | BOLT, FLANGE | 5 | |
| 3 | JN6-12616-00-00 | COVER, FAN CASE | 1 | |
| 4 | 97707-60520-00 | SCREW, PAN HEAD | 3 | |
| 5 | JN6-12651-00-00 | AIR SHROUD, CYLINDER 1 | 1 | |
| 6 | JR7-12658-00-00 | DAMPER AIR SHROUD 1 | 1 | |
| 7 | JN6-12652-00-00 | AIR SHROUD, CYLINDER 2 | 1 | |
| 8 | 95817-06020-00 | BOLT, FLANGE | 2 | |
| 9 | JN6-E2691-00-00 | DUCT, 1 | 1 | |
| 10 | 90269-08813-00 | RIVET | 2 | |



 JU0100-5040

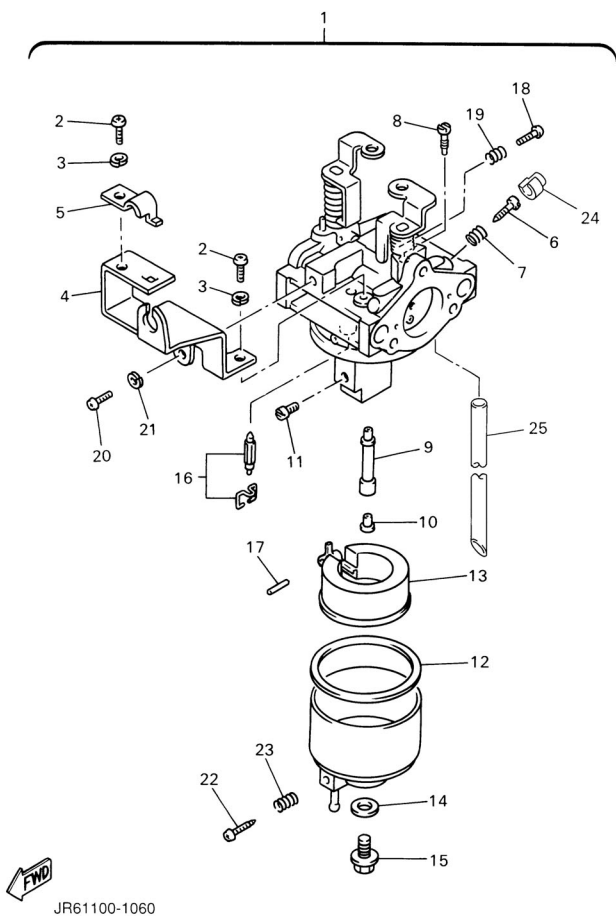


 JR6100-5050

FIG. 6 INTAKE

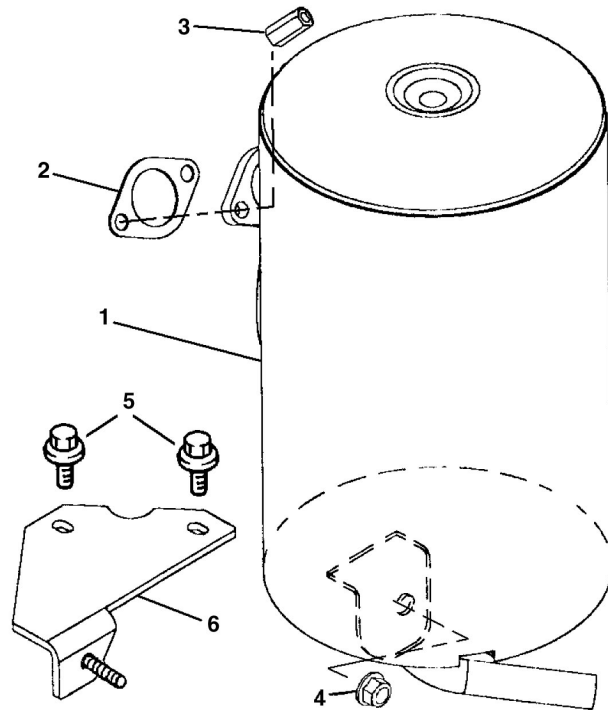
| REF NO. | PART NUMBER | DESCRIPTION | QTY | REMARKS |
|---------|-----------------|-------------------------|-----|---------|
| 1 | JN6-13595-00-00 | JOINT | 1 | |
| 2 | 90179-08491-00 | NUT, FLANGE | 2 | |
| 3 | JN6-13567-00-00 | GASKET | 3 | |
| 4 | 90119-06838-00 | BOLT, HEX HEAD W/WASHER | 2 | |
| 5 | 91790-05010-00 | PIN, CYL. HEAD W/HOLE | 2 | |
| 6 | 90468-10050-00 | CLIP | 2 | |
| 7 | 99080-07600-00 | CIRCLIP (E) | 1 | |
| 8 | 91790-05010-00 | PIN, CYL. HEAD W/HOLE | 1 | |
| 9 | 90468-10050-00 | CLIP | 1 | |
| 10 | JN6-E4411-02-00 | CASE, AIR FILTER | 1 | |
| 11 | JN6-E4412-01-00 | CAP, CASE 1 | 1 | |
| 12 | JN6-E4450-01-00 | ELEMENT ASSY. | 1 | |
| 13 | JN6-E445E-00-00 | FILTER, 1 | 1 | |
| 14 | JN6-E3586-01-00 | JT., CARBURETOR 1 | 1 | |
| 15 | JN6-E4424-00-00 | CLIP, CAP FITTING | 5 | |
| 16 | 93210-398D6-00 | O-RING | 1 | |
| 17 | 90105-06862-00 | BOLT, FLANGE | 3 | |
| 18 | JN6-F6312-01-00 | WIRE, THROTTLE 2 | 1 | |
| 19 | J55-F6331-11-00 | WIRE, STARTER | 1 | |
| 20 | JN6-F6333-10-00 | NUT | 1 | |
| 21 | 90464-31827-00 | CLAMP | 1 | |

FIG. 7 CARBURETOR



| REF NO. | PART NUMBER | DESCRIPTION | QTY | REMARKS |
|---------|-----------------|--------------------------|-----|----------|
| 1 | JR6-14101-00-00 | CARBURETOR ASSY. | 1 | |
| 2 | 98507-05100-00 | .SCREW, PAN HEAD | 2 | |
| 3 | 92990-05100-00 | .WASHER | 2 | |
| 4 | JN6-14291-00-00 | .BRACKET 1 | 1 | |
| 5 | J10-14227-00-00 | .WASHER | 1 | |
| 6 | 7NJ-14211-00-00 | .SCREW, PILOT ADJUSTING | 1 | |
| 7 | 73A-14212-10-00 | .SPRING, PILOT ADJUSTING | 1 | |
| 8 | 732-14142-65-A0 | .JET, PILOT | 1 | (#65.0) |
| 9 | JN6-1495H-3B-00 | .NOZZLE, MAIN | 1 | |
| 10 | 73A-1414G-00-00 | .PIPE, MAIN BLEED | 1 | |
| 11 | 3G2-1423A-68-A0 | .JET, MAIN | 1 | (# 87.5) |
| 12 | 796-14184-00-00 | .GASKET, FLOAT CHAMBER | 1 | |
| 13 | JN6-14185-00-00 | .FLOAT | 1 | |
| 14 | 127-14198-00-00 | .GASKET | 1 | |
| 15 | 7R1-14162-00-00 | .BOLT, HOLDING | 1 | |
| 16 | JN5-14150-00-00 | .NEEDLE ASSY | 1 | |
| 17 | 22F-14186-00-00 | .PIN, FLOAT | 1 | |
| 18 | 1WG-14922-00-00 | .SCREW, THROTTLE | 1 | |
| 19 | 73A-14212-10-00 | .SPRING, PILOT ADJUSTING | 1 | |
| 20 | 98507-04010-00 | .SCREW, PAN HEAD | 1 | |
| 21 | 92903-04100-00 | .WASHER | 1 | |
| 22 | 7E1-14191-00-00 | .PLUG, DRAIN | 1 | |
| 23 | 73A-14212-00-00 | .SPRING, PILOT ADJUSTING | 1 | |
| 24 | 7LV-14118-00-00 | .CAP | 1 | |
| 25 | 1KT-14197-01-00 | .PIPE | 1 | |

FIG. 8 EXHAUST



| REF NO. | PART NUMBER | DESCRIPTION | QTY | REMARKS |
|---------|-----------------|-------------------------|-----|---------|
| 1 | JN6-E4710-00-00 | MUFFLER ASSEMBLY | 1 | |
| 2 | 7KY-14613-01-00 | GASKET, EXHAUST 1 | 1 | |
| 3 | 90179-08879-00 | NUT | 2 | |
| 4 | 90185-08841-00 | NUT, U-FLANGE | 1 | |
| 5 | 90119-08825-00 | BOLT, HEX HEAD W/WASHER | 2 | |
| 6 | JN6-F1435-10-00 | BRACKET, MUFFLER | 1 | |

 JN6100-6021

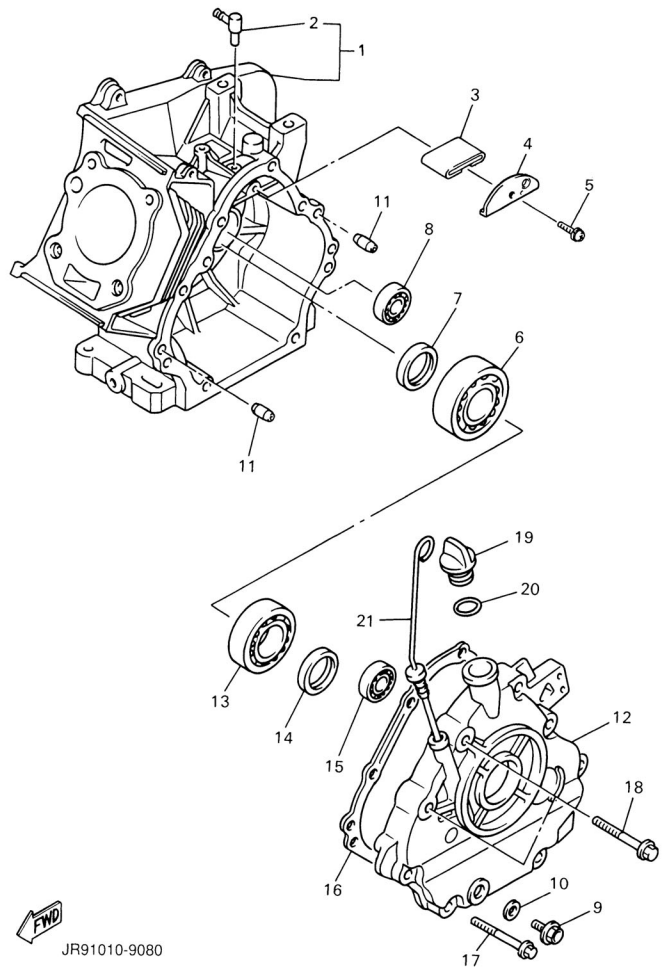


FIG. 9 CRANKCASE

| REF NO. | PART NUMBER | DESCRIPTION | QTY | REMARKS |
|---------|-----------------|--------------------------|-----|---------|
| 1 | JR7-15100-00-00 | CRANKCASE ASSY | 1 | |
| 2 | JN6-15155-00-00 | .NOZZLE, 3 | 1 | |
| 3 | JR7-15407-00-00 | ELEMENT 1 | 1 | |
| 4 | JR7-15123-00-00 | PLATE, BAFFLE | 1 | |
| 5 | 90159-06107-00 | SCREW, W/WASHER | 1 | |
| 6 | 93306-30709-00 | BEARING | 1 | |
| 7 | 93102-35014-00 | SEAL, OIL | 1 | |
| 8 | 93306-20211-00 | BEARING | 1 | |
| 9 | 90340-12097-00 | PLUG, STRAIGHT SCREW | 1 | |
| 10 | 812-11198-00-00 | GASKET | 1 | |
| 11 | 91808-16023-00 | PIN, DOWEL A | 2 | |
| 12 | JN6-15411-00-00 | COVER, CRANKCASE | 1 | |
| 13 | 93306-20716-00 | BEARING | 1 | |
| 14 | 93102-35014-00 | SEAL, OIL | 1 | |
| 15 | 93306-20211-00 | BEARING | 1 | |
| 16 | JN6-15451-02-00 | GSKT., CRANKCASE COVER 1 | 1 | |
| 17 | 95817-08045-00 | BOLT, FLANGE | 6 | |
| 18 | 95817-10050-00 | BOLT, FLANGE | 2 | |
| 19 | 7EN-51118-00-00 | PLUG, OIL | 1 | |
| 20 | 93210-22344-00 | O-RING | 1 | |
| 21 | J38-15361-00-00 | GAUGE, LEVEL | 1 | |

FIG. 10 ENGINE MOUNT

| REF NO. | PART NUMBER | DESCRIPTION | QTY | REMARKS |
|---------|-----------------|-------------------|-----|---------|
| 1 | JN6-F1411-00-00 | BRACKET, ENGINE 1 | 1 | |
| 2 | JN6-F1419-02-00 | BRACKET, ENGINE 2 | 1 | |
| 3 | JN6-F1481-00-00 | BOLT, ENGINE | 4 | |
| 4 | 92907-10200-00 | WASHER, PLAIN | 4 | |
| 5 | 9560P-10200-00 | NUT, U-FLANGE | 4 | |
| 6 | 90101-08870-00 | BOLT, HEX | 4 | |
| 7 | 90201-088K6-00 | WASHER, PLAIN | 4 | |
| 8 | JN6-F1486-00-00 | DAMPER, 2 | 8 | |
| 9 | JN6-F1459-00-00 | SPACER | 2 | |
| 10 | JN6-F1459-10-00 | SPACER | 2 | |
| 11 | 90185-08169-00 | NUT, U-FLANGE | 4 | |

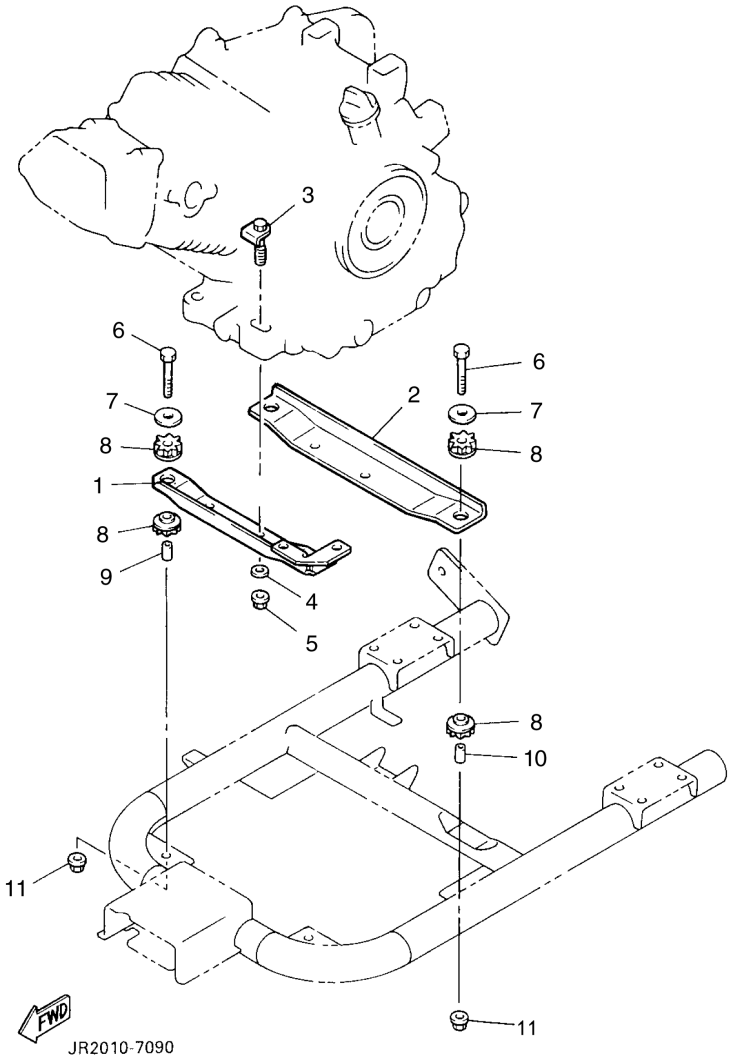
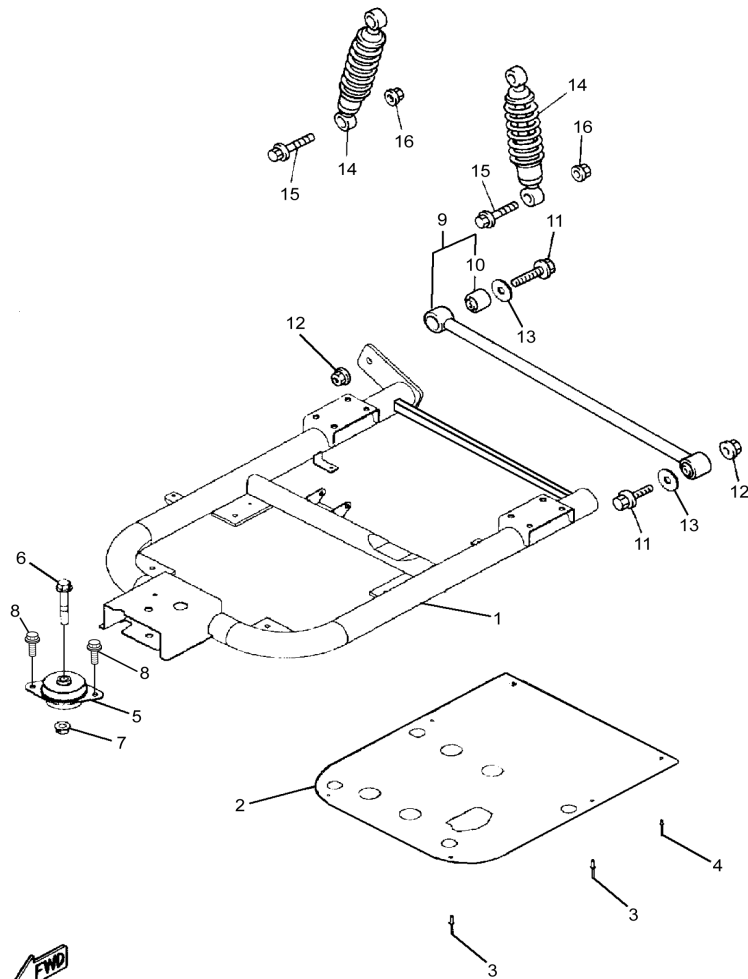
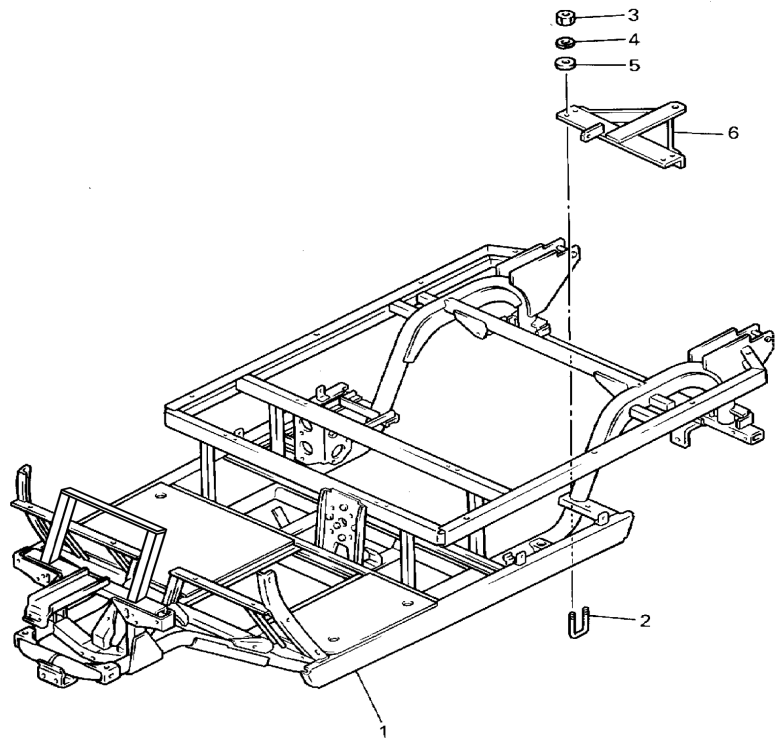


FIG. 11 REAR ARM / SUSPENSION



JR6100- 7020

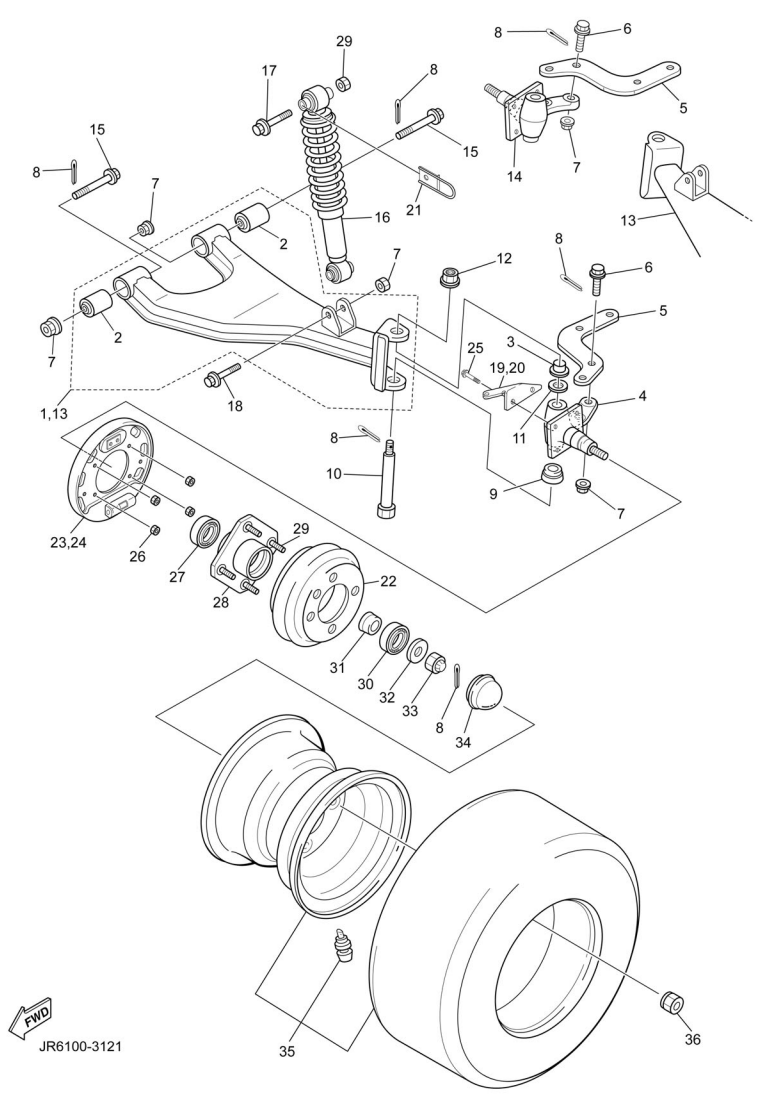
| REF NO. | PART NUMBER | DESCRIPTION | QTY | REMARKS |
|---------|-----------------|---------------------------|-----|---------|
| 1 | JN6-F2110-02-00 | REAR ARM COMP. | 1 | |
| 2 | JN6-F2128-01-00 | COVER, 1 | 1 | |
| 3 | 90267-48850-00 | RIVET, BLIND | 4 | |
| 4 | 90267-40851-00 | RIVET, BLIND | 2 | |
| 5 | JN6-F2123-01-00 | BUSHING, 1 | 1 | |
| 6 | 90105-13864-00 | BOLT, FLANGE | 1 | |
| 7 | 90179-13878-00 | NUT | 1 | |
| 8 | 9751P-10620-00 | BOLT,HEX. WWASHER (7-FQA) | 2 | |
| 9 | JN6-F2172-00-00 | ROD, CONNECTING ASSY. | 1 | |
| 10 | JN6-F2124-00-00 | .BUSHING, 2 | 2 | |
| 11 | 95817-12065-00 | BOLT, FLANGE | 2 | |
| 12 | 95607-12200-00 | NUT, U-FLANGE | 2 | |
| 13 | 90201-12426-00 | WASHER, PLAIN | 2 | |
| 14 | JR6-F2210-00-00 | SHOCK ABSORBER | 2 | |
| 15 | 95817-10055-00 | BOLT, FLANGE | 4 | |
| 16 | 95607-10200-00 | NUT, U-FLANGE | 4 | |



 JR6110-6110

FIG. 12 FRAME

| REF NO. | PART NUMBER | DESCRIPTION | QTY | REMARKS |
|---------|-----------------|----------------|-----|---------|
| 1 | JR6-F2501-01-00 | FRAME COMP. | 1 | |
| 2 | 90109-10862-00 | BOLT | 2 | |
| 3 | 90170-10847-00 | NUT, HEX | 4 | |
| 4 | 92907-10100-00 | WASHER, SPRING | 4 | |
| 5 | 92907-10200-00 | WASHER, PLAIN | 4 | |
| 6 | JJ3-F722B-02-00 | BAR, TOW | 1 | |

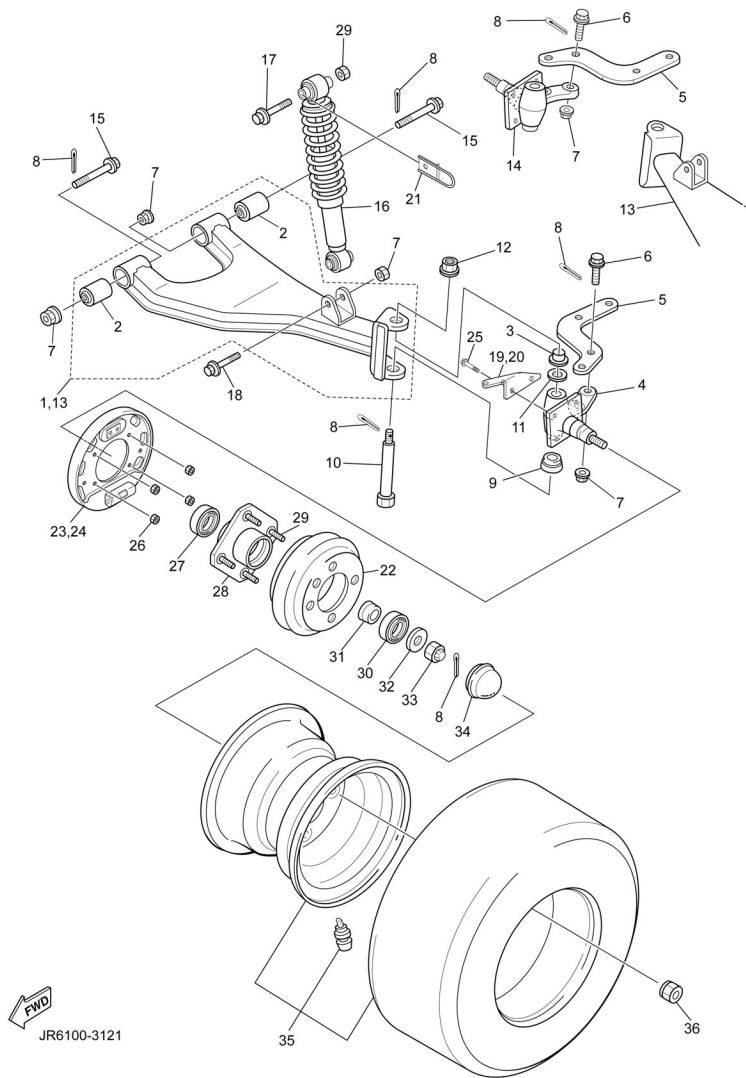


FWD
JR6100-3121

FIG. 13 FRONT SUSPENSION / WHEEL

| REF NO. | PART NUMBER | DESCRIPTION | QTY | REMARKS |
|---------|-----------------|-------------------------|-----|-----------------------------|
| 1 | JR6-F3570-00-00 | FRONT LOWER ARM, LEFT | 1 | |
| 2 | JN6-F3526-00-00 | .BUSHING, ARM | 4 | |
| 3 | 90384-15825-00 | BUSH, BIMETAL | 2 | |
| 4 | JR6-F3501-00-00 | STRG. KNUCKLE ASSY.,LH. | 1 | |
| 5 | JN3-F3512-00-00 | ARM,KNUCKLE LH. | 2 | |
| 6 | 90105-10895-00 | BOLT, FLANGE | 4 | |
| 7 | 95607-10200-00 | NUT, U-FLANGE | 12 | |
| 8 | 91490-25020-00 | PIN, SPLIT | 12 | |
| 9 | J38-23527-00-00 | SEAL, DUST 1 | 2 | |
| 10 | JR6-F3516-00-00 | PIN,STRG. KNUCKLE KING | 2 | |
| 11 | 90201-156J2-00 | WASHER, PLAIN | 2 | |
| 12 | 95607-12200-00 | NUT, U-FLANGE | 2 | |
| 13 | JR6-F3580-00-00 | FRONT LOWER ARM, RIGHT | 1 | |
| 14 | JR6-F3502-00-00 | KNUCKLE, STEERING RIGHT | 1 | |
| 15 | 90105-10894-00 | BOLT, FLANGE | 4 | |
| 16 | JR6-F3350-00-00 | SHOCK ABSORBER ASSY | 2 | |
| 17 | 95817-10065-00 | BOLT | 2 | |
| 18 | 95817-10055-00 | BOLT | 2 | |
| 19 | JR6-F7263-00-00 | BRKT. 1 (LH) | 1 | |
| 20 | JR6-F7264-00-00 | BRKT. 2 (RH) | 1 | |
| 21 | JR6-F1339-00-00 | GUIDE WIRE | 2 | |
| 22 | J55-G6521-10-00 | DRUM | 2 | |
| 23 | JN6-F7290-03-00 | BACKING PLATE ASSY (LH) | 1 | SEE PAGE 26 FOR CHILD PARTS |
| 24 | JN6-F7280-03-00 | BACKING PLATE ASSY (RH) | 1 | SEE PAGE 25 FOR CHILD PARTS |
| 25 | 9502P-08025-00 | BOLT | 8 | |
| 26 | 9560P-08200-00 | NUT | 8 | |
| 27 | 93306-005Y3-00 | BEARING | 2 | |

FIG. 13 FRONT SUSPENSION / WHEEL



| REF NO. | PART NUMBER | DESCRIPTION | QTY | REMARKS |
|---------|-----------------|-----------------|-----|---------|
| 28 | JR6-F5110-00-00 | HUB | 2 | |
| 29 | 90114-12803-00 | BOLT KNURLED | 8 | |
| 30 | 93306-204X0-00 | BEARING | 2 | |
| 31 | 90387-241M7-00 | COLLAR | 2 | |
| 32 | 90209-32832-00 | WASHER | 2 | |
| 33 | 95617-14100-00 | NUT, U | 2 | |
| 34 | JN6-F5118-00-00 | COVER, HUB DUST | 2 | |
| 35 | JN6-F5100-11-00 | FR. WHEEL ASSY | 2 | |
| 36 | 90179-12262-00 | NUT | 8 | |

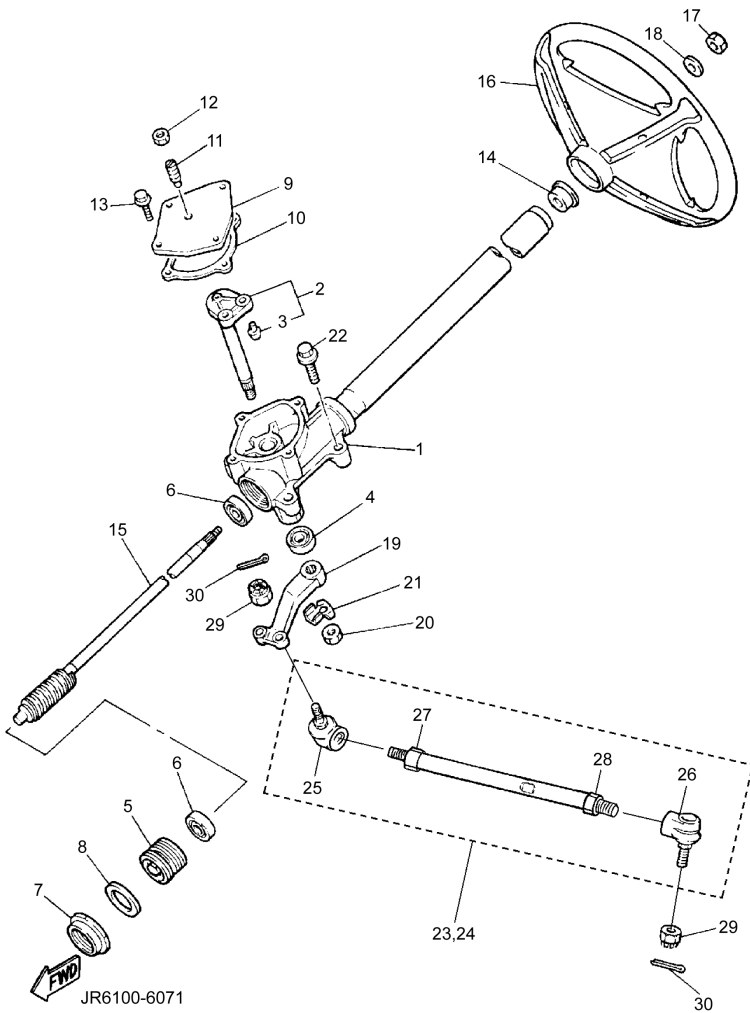


FIG. 14 STEERING

| REF NO. | PART NUMBER | DESCRIPTION | QTY | REMARKS |
|---------|-----------------|---------------------|-----|---------|
| 1 | JG5-F3811-00-00 | COLUMN, STEERING | 1 | |
| 2 | J38-23816-00-00 | ARM, PITMAN | 1 | |
| 3 | J38-23836-00-00 | .PIN, PITMAN | 2 | |
| 4 | 93102-22314-00 | SEAL, OIL | 1 | |
| 5 | J55-F3876-00-00 | BOLT | 1 | |
| 6 | 93332-000Y2-00 | BEARING | 2 | |
| 7 | J10-23877-00-00 | NUT | 1 | |
| 8 | J10-23444-00-00 | WASHER | 1 | |
| 9 | JN3-F3818-00-00 | COVER, STEERING | 1 | |
| 10 | J38-23462-01-00 | SEAL, STEERING | 1 | |
| 11 | J10-F3459-00-00 | BOLT | 1 | |
| 12 | 90170-08024-00 | NUT, HEX. | 1 | |
| 13 | 95817-06020-00 | BOLT, FLANGE | 4 | |
| 14 | JN3-F3814-00-00 | HOLDER, HANDLE | 1 | |
| 15 | J10-23840-00-00 | STEERING SHAFT | 1 | |
| 16 | JN3-F3838-00-00 | WHEEL, STEERING | 1 | |
| 17 | 95617-12100-00 | NUT, SELF-LOCKING | 1 | |
| 18 | 92907-12200-00 | WASHER, PLAIN | 1 | |
| 19 | J38-23826-01-00 | ARM, IDLER | 1 | |
| 20 | 95707-16300-00 | NUT, NYLON | 1 | |
| 21 | 90215-16814-00 | WASHER, TONGUE | 1 | |
| 22 | 90105-10880-00 | BOLT, FLANGE | 4 | |
| 23 | JN6-F3850-11-00 | TIE ROD ASSY, RIGHT | 1 | |
| 24 | JN6-F3830-11-00 | TIE ROD ASSY, LEFT | 1 | |
| 25 | JN6-F3845-00-00 | .UNIVERSAL JOINT | 2 | |
| 26 | JN6-F3841-00-00 | .UNIVERSAL JOINT | 2 | |
| 27 | 9530N-10600-00 | .NUT, (RH THREAD) | 2 | |

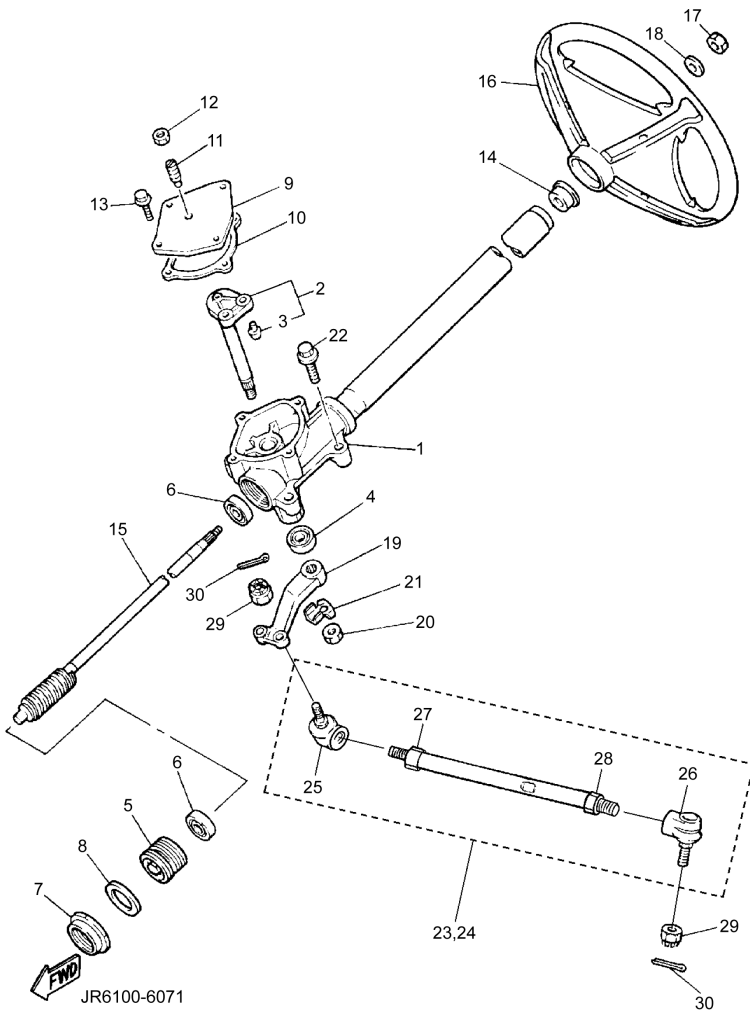


FIG. 14 STEERING

| REF NO. | PART NUMBER | DESCRIPTION | QTY | REMARKS |
|---------|----------------|------------------|-----|---------|
| 28 | 90170-10414-00 | .NUT (LH THREAD) | 2 | |
| 29 | 95607-10200-00 | NUT, U-FLANGE | 4 | |
| 30 | 91401-25020-00 | PIN, SPLIT | 4 | |

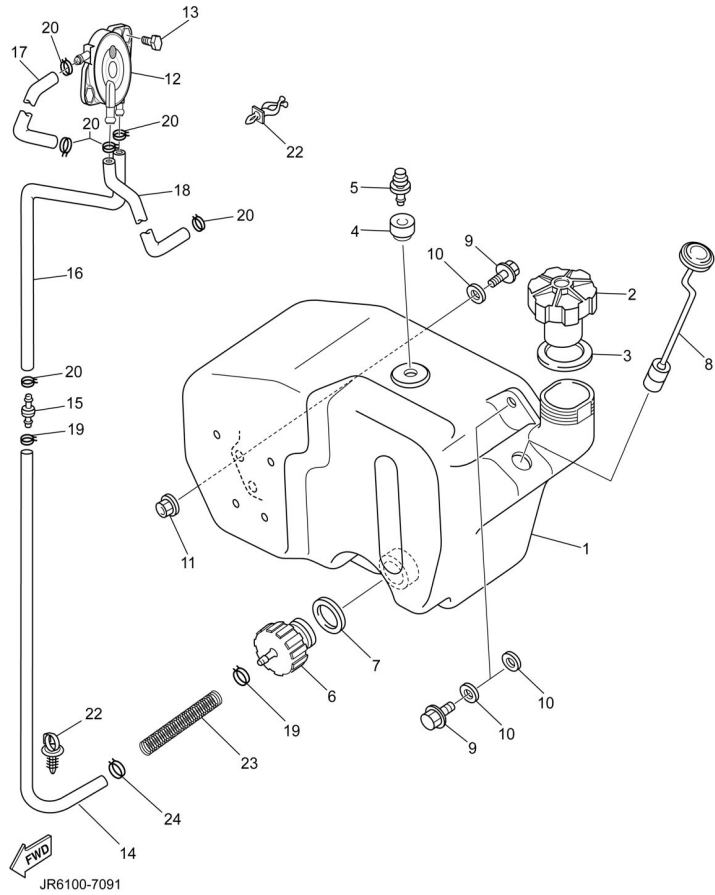
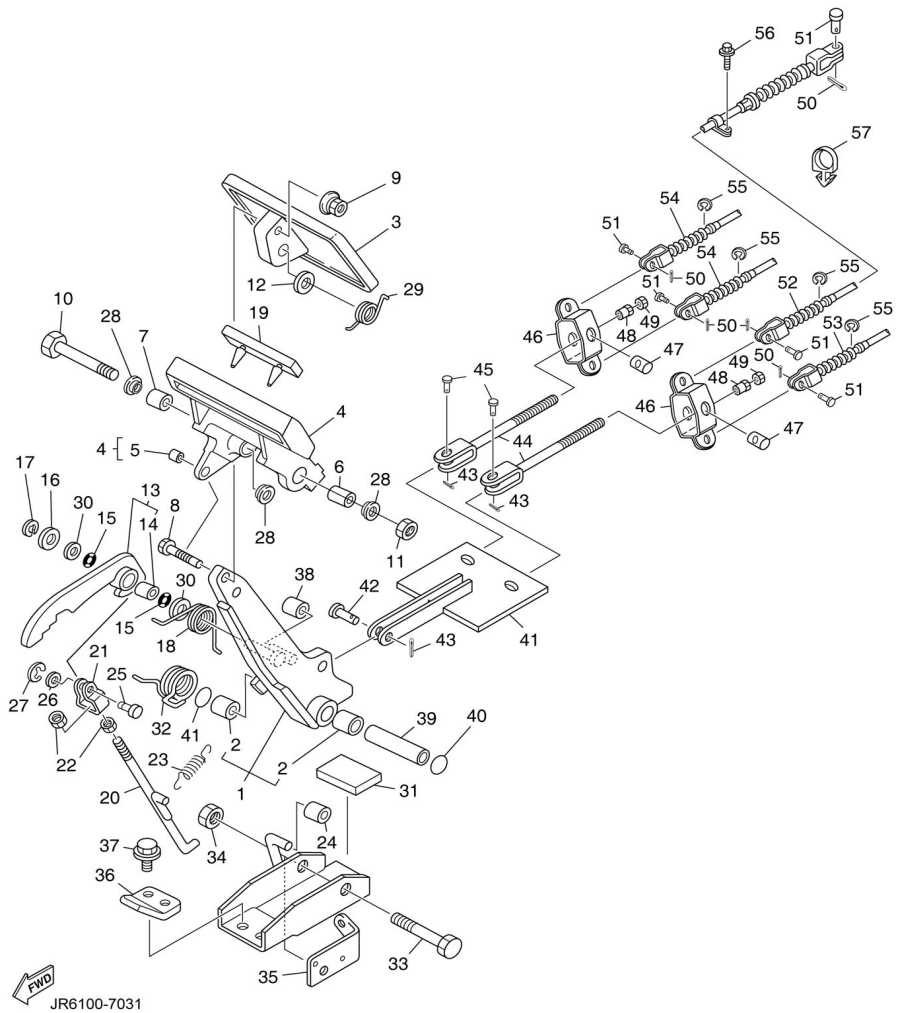


FIG. 15 FUEL TANK

| REF NO. | PART NUMBER | DESCRIPTION | QTY | REMARKS |
|---------|-----------------|-------------------------|-----|---------|
| 1 | J55-F4111-12-00 | TANK, FUEL | 1 | |
| 2 | J24-24620-01-00 | BODY CAP ASSY | 1 | |
| 3 | J10-24612-00-00 | GASKET, CAP | 1 | |
| 4 | J10-21773-00-00 | GROMMET | 1 | |
| 5 | J24-24460-01-00 | RELEASE VALVE ASSY. | 1 | |
| 6 | 8R4-24560-00-00 | FILTER ASSY. | 1 | |
| 7 | 8F3-24564-00-00 | GASKET | 1 | |
| 8 | J38-85710-02-00 | FUEL LEVEL GAUGE ASSY. | 1 | |
| 9 | 97017-08025-00 | BOLT HEX. HEAD W/WASHER | 3 | |
| 10 | 90201-088S2-00 | WASHER, PLATE | 4 | |
| 11 | 9560P-08200-00 | NUT, U FLANGE | 2 | |
| 12 | JN6-F4410-10-00 | FUEL PUMP ASSY. | 1 | |
| 13 | JN6-F3394-00-00 | BOLT, SPECIAL | 2 | |
| 14 | JR3-F4312-00-00 | PIPE 2 | 1 | |
| 15 | JR3-F4461-00-00 | PIPE, JOINT | 1 | |
| 16 | JN6-F4311-00-00 | PIPE, FUEL | 1 | |
| 17 | JN6-F4313-10-00 | PIPE 3 | 1 | |
| 18 | JR3-F4314-10-00 | PIPE 4 | 1 | |
| 19 | 90467-12845-00 | CLIP | 2 | |
| 20 | 90467-10846-00 | CLIP | 6 | |
| 21 | 90464-11816-00 | CLAMP | 1 | |
| 22 | 90464-12830-00 | CLAMP | 1 | |
| 23 | 90501-08707-00 | SPRING COMPRESSION | 1 | |
| 24 | 90467-10846-00 | CLIP | 1 | |

FIG. 16 BRAKE



| REF NO. | PART NUMBER | DESCRIPTION | QTY | REMARKS |
|---------|-----------------|-----------------------|-----|---------|
| 1 | J46-27250-03-00 | BRAKE ARM COMP | 1 | |
| 2 | 90384-14080-00 | .BUSH, BIMETAL FORMED | 2 | |
| 3 | J10-27211-00-00 | PEDAL, BRAKE | 1 | |
| 4 | J17-25671-01-00 | PARKING PEDAL COMP. | 1 | |
| 5 | 90384-05163-00 | .BUSH, BIMETAL | 1 | |
| 6 | 90387-08014-00 | COLLAR | 1 | |
| 7 | 90387-08013-00 | COLLAR | 1 | |
| 8 | 97017-06035-00 | BOLT, HEX. | 1 | |
| 9 | 90179-06387-00 | NUT | 1 | |
| 10 | 97027-08100-00 | BOLT, HEX. | 1 | |
| 11 | 95337-08600-00 | NUT, HEX. | 1 | |
| 12 | 92907-08200-00 | WASHER, PLAIN | 1 | |
| 13 | J17-25666-02-00 | SECTOR, PARKING BRAKE | 1 | |
| 14 | 90384-10162-00 | .BUSH, BIMETAL | 1 | |
| 15 | J17-27221-00-00 | SEAL, SHAFT | 2 | |
| 16 | 92907-10600-00 | WASHER, PLAIN | 1 | |
| 17 | 99080-07600-00 | CIRCLIP (E) | 1 | |
| 18 | 90508-14548-00 | SPRING, TORSION | 1 | |
| 19 | J17-25672-01-00 | PAD, PARKING | 1 | |
| 20 | J17-27231-03-00 | ROD, BRAKE | 1 | |
| 21 | J17-27232-00-00 | END, ROD 1 | 1 | |
| 22 | 95317-06700-00 | NUT, HEX. | 2 | |
| 23 | 90506-08526-00 | SPRING, TENSION | 1 | |
| 24 | J17-25673-00-00 | DAMPER, BRAKE | 1 | |
| 25 | J17-27228-00-00 | PIN, LINK JOINT | 1 | |
| 26 | 92907-05600-00 | WASHER, PLAIN | 1 | |
| 27 | 99080-04600-00 | CIRCLIP (E) | 1 | |

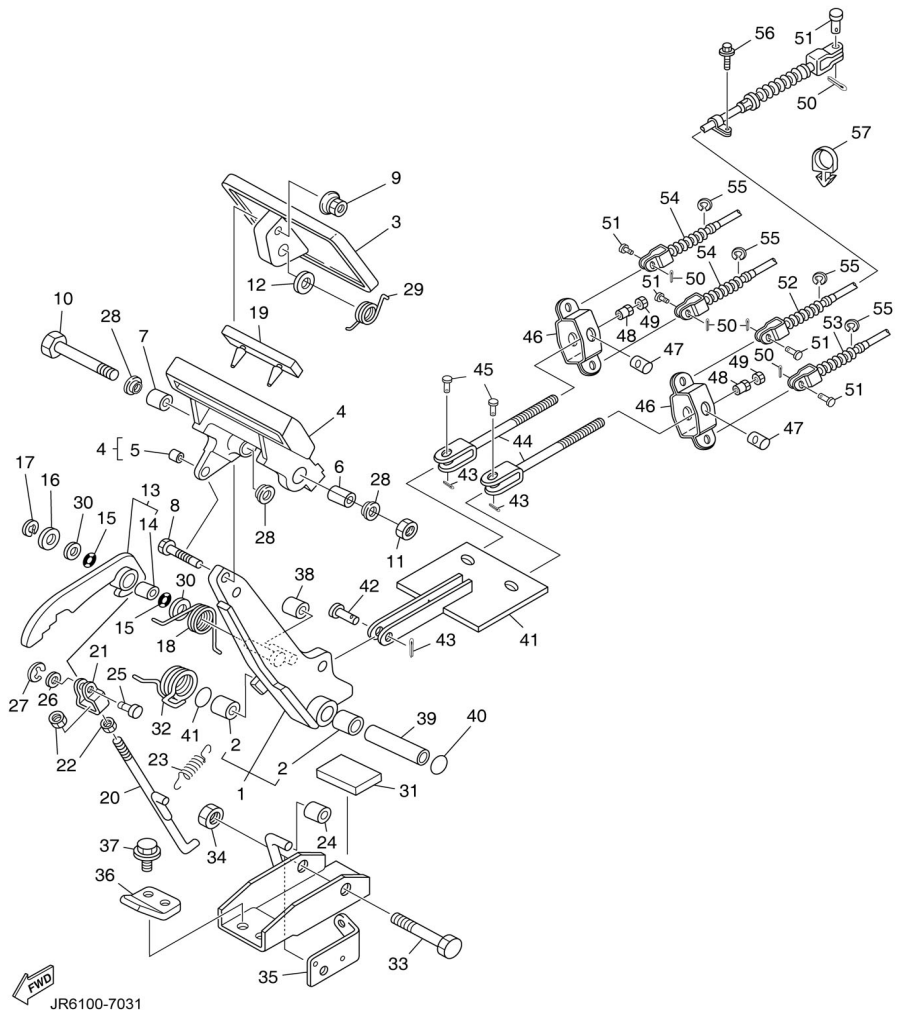
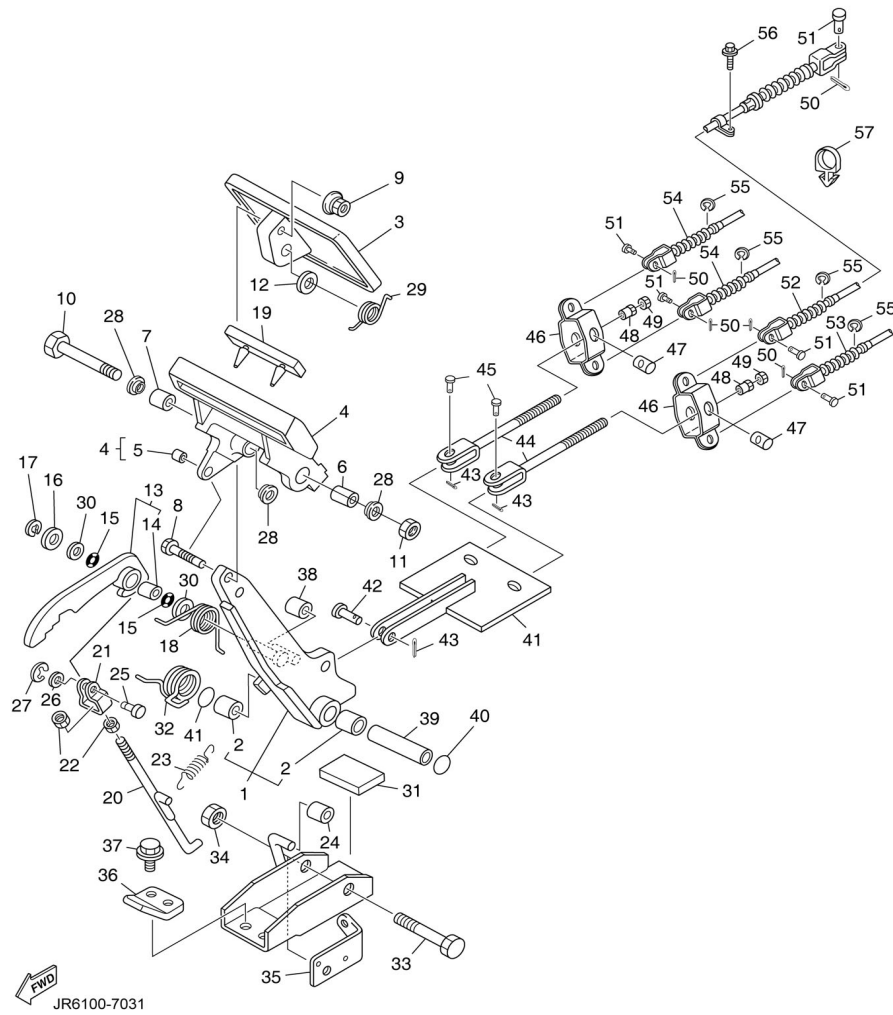


FIG. 16 BRAKE

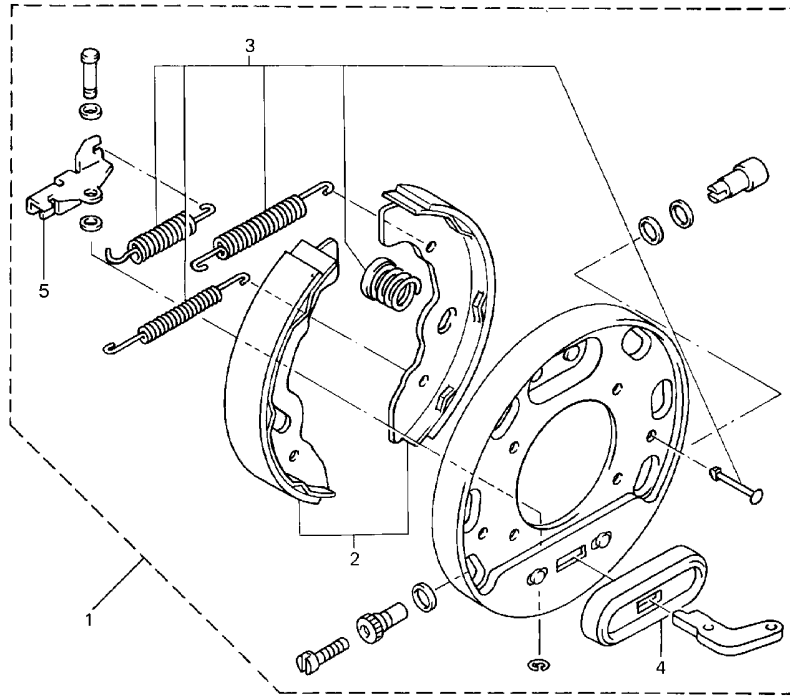
| REF NO. | PART NUMBER | DESCRIPTION | QTY | REMARKS |
|---------|-----------------|------------------|-----|---------|
| 28 | 90387-12009-00 | BUSH | 3 | |
| 29 | 90508-32015-00 | SPRING, TORSION | 1 | |
| 30 | 92907-08200-00 | PLATE | 2 | |
| 31 | JN3-F7245-00-00 | PAD, BRAKE PEDAL | 1 | |
| 32 | 90508-40007-00 | SPRING, TORSION | 1 | |
| 33 | 90101-10884-00 | BOLT, HEX. | 1 | |
| 34 | 95607-10200-00 | NUT, U-FLANGE | 1 | |
| 35 | J55-2252M-00-00 | BRACKET, 3 | 1 | |
| 36 | J17-27246-00-00 | NAIL, BRAKE | 1 | |
| 37 | 90105-08878-00 | BOLT, FLANGE | 2 | |
| 38 | J17-25673-00-00 | DAMPER, BRAKE | 1 | |
| 39 | 90387-107F8-00 | COLLAR | 1 | |
| 40 | 93210-14579-00 | O-RING | 2 | |
| 41 | JR6-F7215-00-00 | LINK | 1 | |
| 42 | 91701-10026-00 | PIN | 1 | |
| 43 | 91490-30020-00 | PIN, SPLIT | 3 | |
| 44 | JN6-F5685-00-00 | ROD | 2 | |
| 45 | 91701-10022-00 | PIN | 2 | |
| 46 | J10-25681-00-00 | EQUALIZER, BRAKE | 2 | |
| 47 | 90249-14129-00 | PIN | 2 | |
| 48 | 90179-08894-00 | NUT | 2 | |
| 49 | 95307-08700-00 | NUT, HEX | 2 | |
| 50 | 91490-25020-00 | PIN, SPLIT | 8 | |
| 51 | 91701-08018-00 | PIN | 8 | |
| 52 | JJ3-F6341-01-00 | WIRE, BRAKE 1 | 1 | |
| 53 | JJ3-F6351-02-00 | WIRE, BRAKE 2 | 1 | |
| 54 | JR6-F6361-00-00 | WIRE, BRAKE 3 | 2 | |

FIG. 16 BRAKE



| REF NO. | PART NUMBER | DESCRIPTION | QTY | REMARKS |
|---------|----------------|--------------|-----|---------|
| 55 | 99001-09600-00 | CIRCLIP E | 8 | |
| 56 | 95817-06016-00 | BOLT, FLANGE | 2 | |
| 57 | 90464-19815-00 | CLAMP | 1 | |

FIG. 17 BRAKE 2



| REF NO. | PART NUMBER | DESCRIPTION | QTY | REMARKS |
|---------|-----------------|-----------------------|-----|------------------------------------|
| 1 | JN6-F7280-03-00 | BACKING PLATE, (RH) | 2 | (FOR R/S FRONT & REAR WHEELS ONLY) |
| 2 | JN6-F5331-01-00 | .SHOE, BRAKE SET | 1 | (FOR ONE WHEEL) |
| 3 | JN6-F819G-00-00 | .REPAIR PARTS KIT | 2 | |
| 4 | JG5-F7286-00-00 | .COVER, DUST | 2 | |
| 5 | JN6-F722F-00-00 | .LEVER ADJUSTER, (RH) | 2 | |


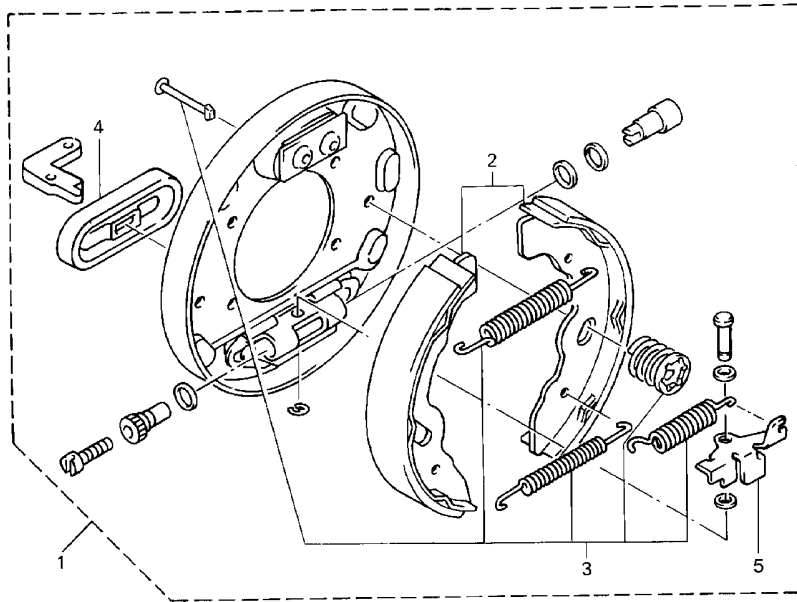

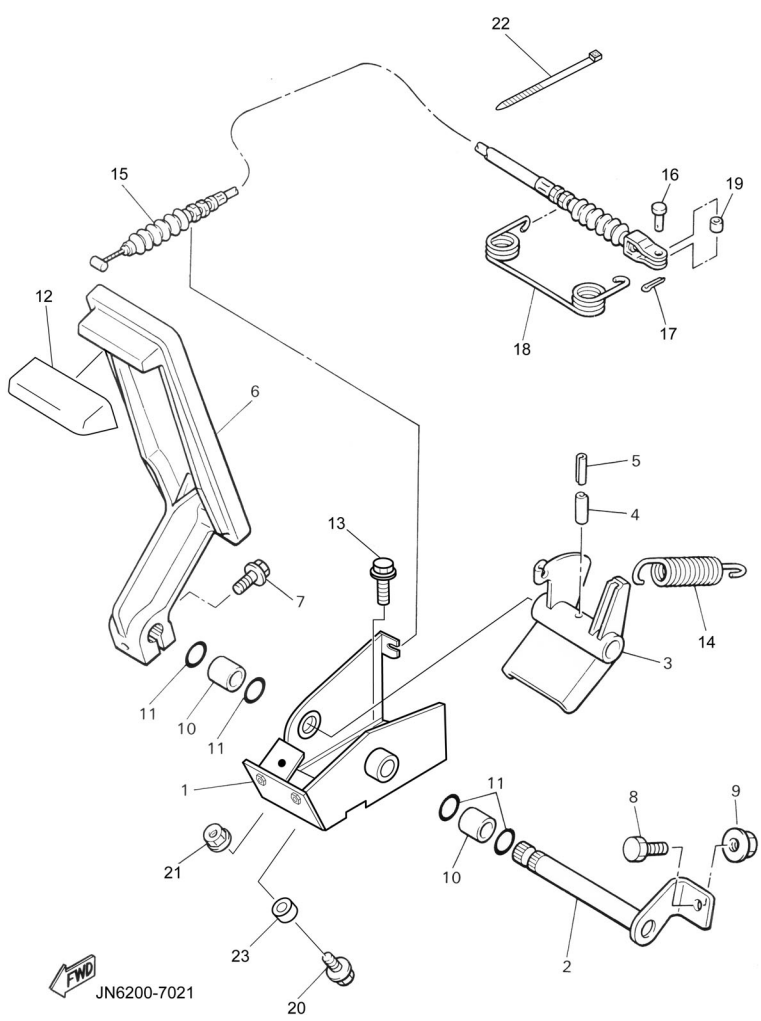
 JN4100-5061

FIG. 18 BRAKE 3



| REF NO. | PART NUMBER | DESCRIPTION | QTY | REMARKS |
|---------|-----------------|-----------------------|-----|------------------------------------|
| 1 | JN6-F7280-03-00 | BACKING PLATE, (LH) | 2 | (FOR L/S FRONT & REAR WHEELS ONLY) |
| 2 | JN6-F5331-01-00 | .SHOE, BRAKE SET | 1 | (FOR ONE WHEEL) |
| 3 | JN6-F819G-00-00 | .REPAIR PARTS KIT | 2 | |
| 4 | JG5-F7286-00-00 | .COVER, DUST | 2 | |
| 5 | JN6-F722E-00-00 | .LEVER ADJUSTER, (LH) | 2 | |

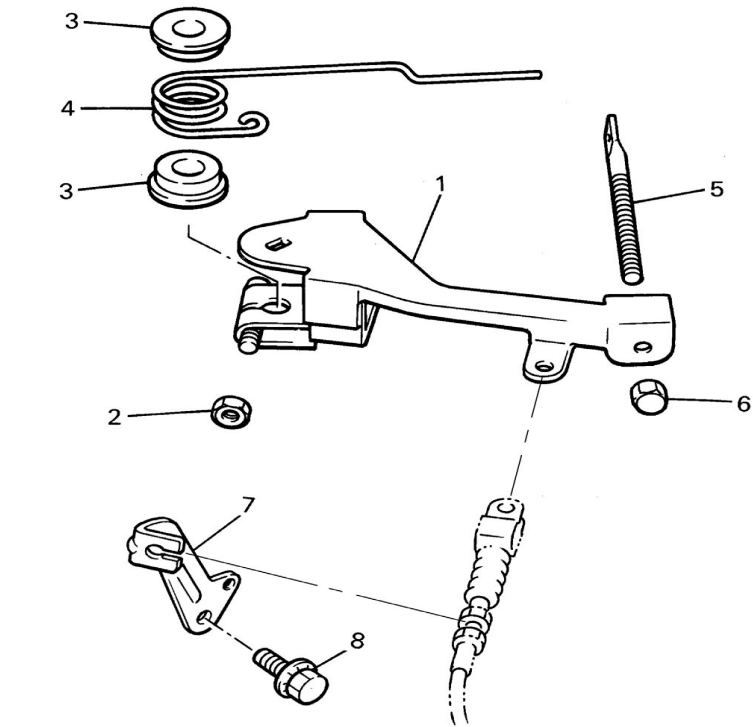
 JN4100-5071



FWD
JN6200-7021

FIG. 19 ACCELERATOR

| REF NO. | PART NUMBER | DESCRIPTION | QTY | REMARKS |
|---------|-----------------|----------------------|-----|---------|
| 1 | JN6-F7874-01-00 | BRACKET, PEDAL | 1 | |
| 2 | J17-27853-01-00 | SHAFT, PEDAL | 1 | |
| 3 | J38-27872-00-00 | ARM, ACCELERATOR | 1 | |
| 4 | 91609-60028-00 | PIN, SPRING | 1 | |
| 5 | 91609-35028-00 | PIN, SPRING | 1 | |
| 6 | J10-27871-01-00 | PEDAL, ACCELERATOR | 1 | |
| 7 | 95817-06025-00 | BOLT, FLANGE | 1 | |
| 8 | 90106-08806-00 | BOLT, RD. HEX | 1 | |
| 9 | 90179-08491-00 | NUT, FLANGE | 1 | |
| 10 | 90384-14080-00 | BUSH, BIMETAL FORMED | 2 | |
| 11 | 93210-14579-00 | O-RING | 4 | |
| 12 | JN3-F7854-00-00 | COVER, PEDAL | 1 | |
| 13 | 90105-08878-00 | BOLT, FLANGE | 3 | |
| 14 | 90506-26282-00 | SPRING, TENSION | 1 | |
| 15 | JJ3-F6311-00-00 | WIRE, THROTTLE | 1 | |
| 16 | 91790-05012-00 | PIN | 1 | |
| 17 | 90468-10050-00 | CLIP | 1 | |
| 18 | 90508-16460-00 | SPRING, TORSION | 1 | |
| 19 | 90560-05001-00 | SPACER | 1 | |
| 20 | 95817-06025-00 | BOLT, FLANGE | 1 | |
| 21 | 95707-06500-00 | NUT, FLANGE | 1 | |
| 22 | 90464-40825-00 | CLAMP | 1 | |
| 23 | 90387-068T4-00 | COLLAR | 1 | |

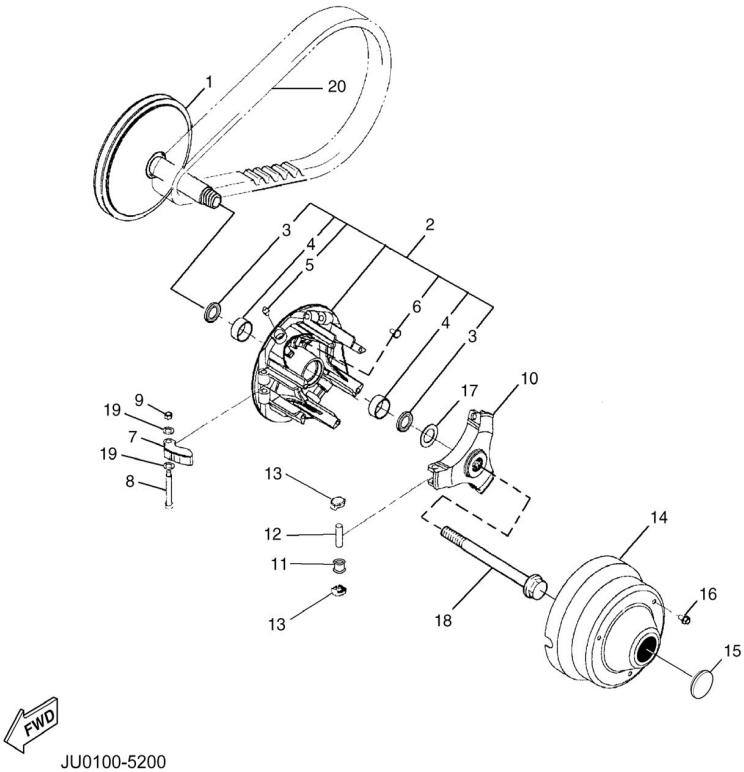


JU0100-5190

FIG. 20 GOVERNOR

| REF NO. | PART NUMBER | DESCRIPTION | QTY | REMARKS |
|---------|-----------------|------------------|-----|---------|
| 1 | J38-27951-00-00 | LEVER, SPEED | 1 | |
| 2 | 95317-06600-00 | NUT, HEX. | 1 | |
| 3 | 90386-08141-00 | BUSH | 2 | |
| 4 | 90508-40678-00 | SPRING, TORSION | 1 | |
| 5 | J38-27959-00-00 | SCREW, ADJUSTING | 1 | |
| 6 | 95607-06200-00 | NUT, U-FLANGE | 1 | |
| 7 | JN3-G6555-00-00 | BRACKET 2 | 1 | |
| 8 | 90105-08859-00 | BOLT, FLANGE | 1 | |

FIG. 21 PRIMARY CLUTCH



| REF NO. | PART NUMBER | DESCRIPTION | QTY | REMARKS |
|---------|-----------------|-------------------------|-----|--------------|
| | JN6-G6201-04-00 | PRIMARY CLUTCH ASSEMBLY | 1 | SEE NOTE "A" |
| 1 | JN6-G6210-00-00 | PRIMARY FIXED SHEAVE | 1 | |
| 2 | JN6-G6221-00-00 | PRIMARY SLIDING SHEAVE | 1 | |
| 3 | 93101-28831-00 | .SEAL, OIL | 2 | |
| 4 | 90384-27823-00 | .BUSH, BIMETAL FORMED | 2 | |
| 5 | 93700-06810-00 | .NIPPLE, GREASE | 1 | |
| 6 | 90338-04840-00 | .PLUG | 3 | |
| 7 | JN6-G6232-01-00 | WEIGHT, 1 | 3 | |
| 8 | 90109-06860-00 | BOLT | 3 | |
| 9 | 90185-06834-00 | NUT, SELF-LOCKING | 3 | |
| 10 | JN6-G6251-01-00 | SPIDER | 1 | |
| 11 | JN6-G6258-02-00 | COLLAR, ROLLER | 3 | |
| 12 | 93610-358A3-00 | PIN, DOWEL | 3 | |
| 13 | JN6-G6253-00-00 | SLIDER | 6 | |
| 14 | JU0-G6231-00-00 | CAP | 1 | |
| 15 | JU0-G6297-00-00 | COVER, DUST | 1 | |
| 16 | 90105-06861-00 | BOLT, FLANGE | 3 | |
| 17 | 90201-228K5-00 | WASHER, PLAIN | 1 | |
| 18 | JN6-G6249-00-00 | BOLT | 1 | |
| 19 | JN6-G621F-00-00 | SHIM, THRUST | 6 | |
| 20 | J55-G6241-00-00 | BELT | 1 | |

NOTE "A": Assembly includes all parts except REF. Numbers 18 and 20 (the main bolt for the Primary Clutch assembly and the belt.)

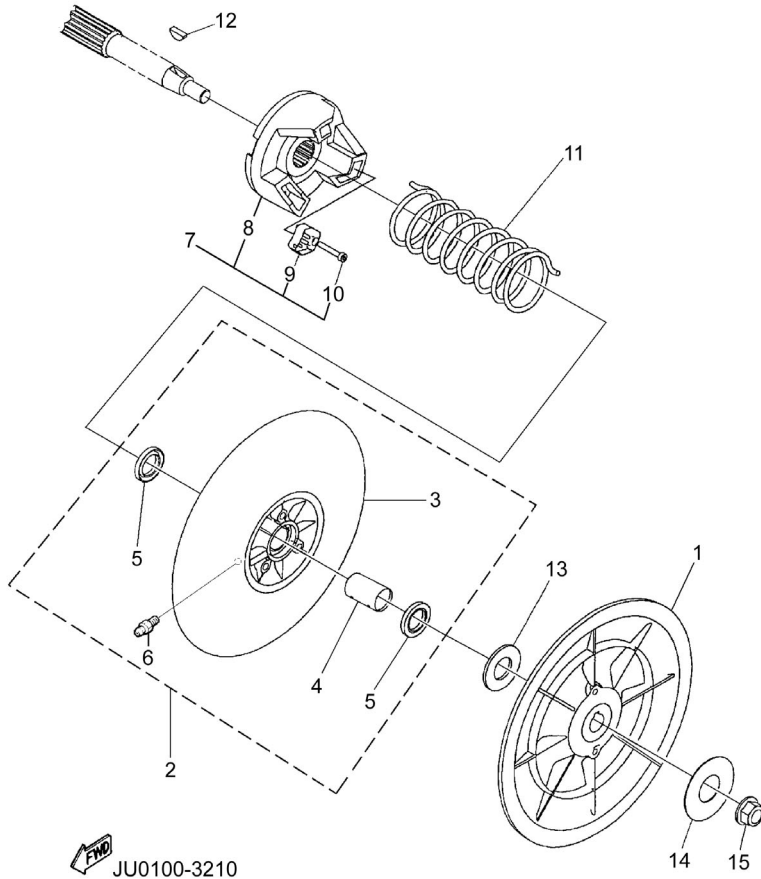


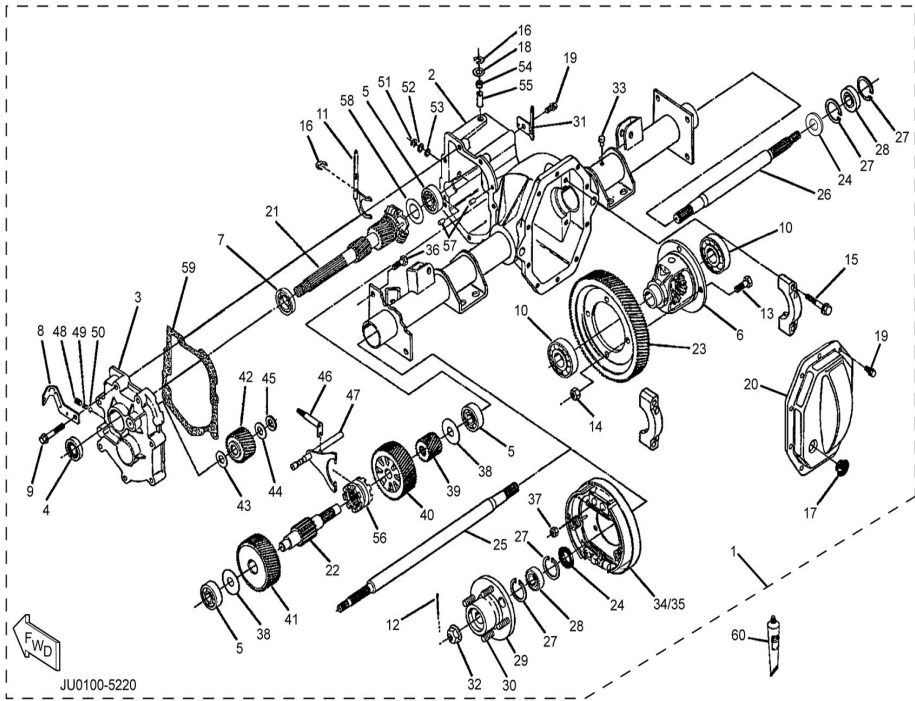
FIG. 22 SECONDARY SHEAVE

| REF NO. | PART NUMBER | DESCRIPTION | QTY | REMARKS |
|---------|-----------------|------------------------------|-----|---------------|
| 1 | JN6-G6260-00-00 | SECONDARY FIXED SHEAVE | 1 | |
| 2 | JN6-G6270-01-KT | SECONDARY SLIDING SHEAVE KIT | 1 | SEE NOTE "A" |
| 3 | JN6-G6271-02-00 | .SECONDARY SLIDING SHEAVE | 1 | |
| 4 | 90384-20824-00 | .BUSHING, BIMETAL FORMED | 1 | |
| 5 | 93109-20069-00 | .SEAL, OIL | 2 | |
| 6 | 93700-06809-00 | .NIPPLE, GREASE | 1 | |
| 7 | JN6-G6280-00-00 | SECONDARY SPRING SEAT COMP. | 1 | SEE NOTE "B" |
| 8 | JN6-G6284-00-00 | .SECONDARY SPRING SEAT | 1 | |
| 9 | JN6-E7688-00-00 | .SHOE, RAMP | 3 | |
| 10 | 90110-04834-00 | .BOLT, HEX. SOCKET | 3 | |
| 11 | 90508-45849-00 | SPRING, TORSION | 1 | L=135.0mm±1.5 |
| 12 | 90280-05022-00 | KEY, WOODRUFF | 1 | |
| 13 | 90202-20130-00 | WASHER, PLAIN | 1 | |
| 14 | 90201-12588-00 | WASHER, PLAIN | 1 | |
| 15 | 95607-12200-00 | NUT, U-FLANGE | 1 | |

NOTE "A": Secondary sheave kit Includes: secondary sliding sheave, bushing, oil seals and grease nipple.

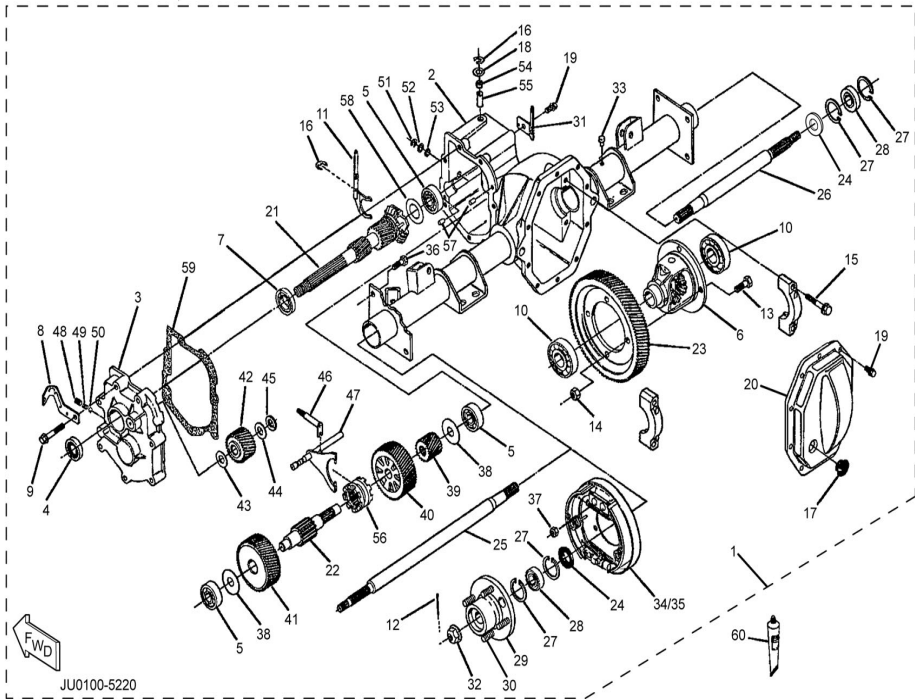
NOTE "B": Secondary spring seat comp. Includes: secondary spring seat, shoe ramp and bolts.

FIG. 23 TRANSMISSION 1



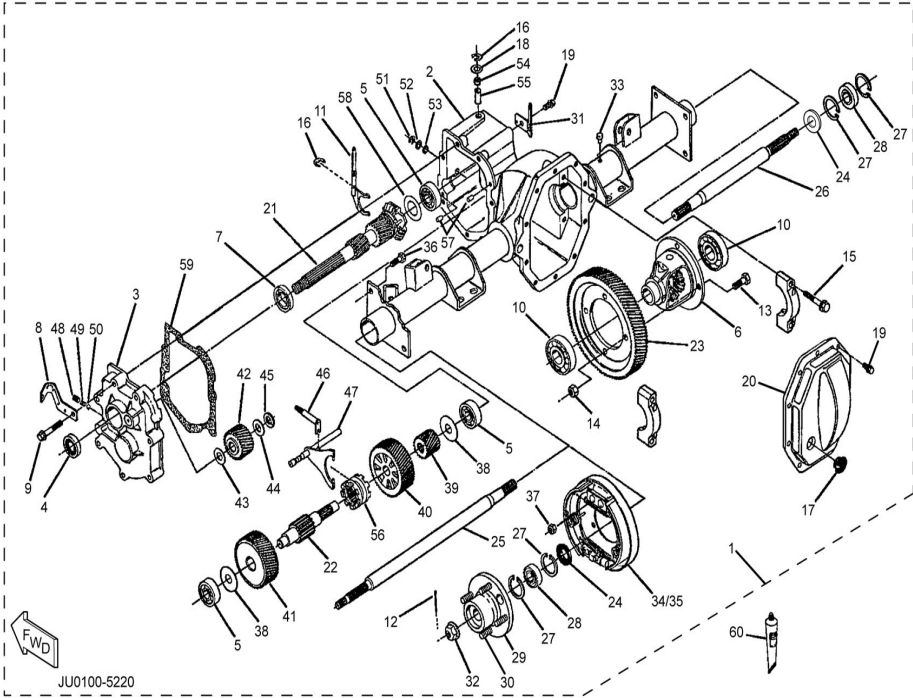
| REF NO. | PART NUMBER | DESCRIPTION | QTY | REMARKS |
|---------|-----------------|------------------------|-----|---------|
| 1 | JR6-G6300-02-00 | TRANSAXLE ASSEMBLY | 1 | |
| 2 | JR3-G6290-02-00 | .CASE ASSY | 1 | |
| 3 | JN3-G6313-00-00 | .COVER, TRANSMISSION | 1 | |
| 4 | 93102-25868-00 | .SEAL, OIL | 1 | |
| 5 | 93306-303Y6-00 | .BEARING | 3 | |
| 6 | JN6-G6410-00-00 | .DIFFERENTIAL ASSY. | 1 | |
| 7 | 93306-005Y4-00 | .BEARING | 1 | |
| 8 | JN6-G6555-00-00 | .BRACKET, 2 | 1 | |
| 9 | 90105-08859-00 | .BOLT, FLANGE | 7 | |
| 10 | 93306-007Y0-00 | .BEARING | 2 | |
| 11 | JN3-G633E-01-00 | .BAR, 1 | 1 | |
| 12 | 90252-36801-00 | .PIN, SPLIT | 2 | |
| 13 | 90101-10854-00 | .BOLT, HEX. | 4 | |
| 14 | 90170-10840-00 | .NUT, HEX. | 4 | |
| 15 | 90105-10840-00 | .BOLT, FLANGE | 4 | |
| 16 | JU0-F722H-00-00 | .RETAINER | 2 | |
| 17 | JN3-G6432-00-00 | .STOPPER | 1 | |
| 18 | JU0-F723F-00-00 | .WASHER, SPECIAL 1 | 1 | |
| 19 | 90101-08856-00 | .BOLT, HEX. | 11 | |
| 20 | JN3-G6314-00-00 | .COVER, TRANSMISSION 2 | 1 | |
| 21 | JR6-G6320-01-00 | .SHAFT, INPUT ASSY. | 1 | |
| 22 | JN3-G633G-00-00 | .SHAFT | 1 | |
| 23 | JN3-G6355-00-00 | .GEAR, PRIMARY | 1 | |
| 24 | 93101-31836-00 | .SEAL, OIL | 2 | |
| 25 | JR3-G6511-00-00 | .SHAFT, RR. AXLE 1 | 1 | |
| 26 | JR3-G6512-00-00 | .SHAFT, RR. AXLE 2 | 1 | |
| 27 | 93420-52806-00 | .CIRCLIP | 4 | |

FIG. 23 TRANSMISSION 1



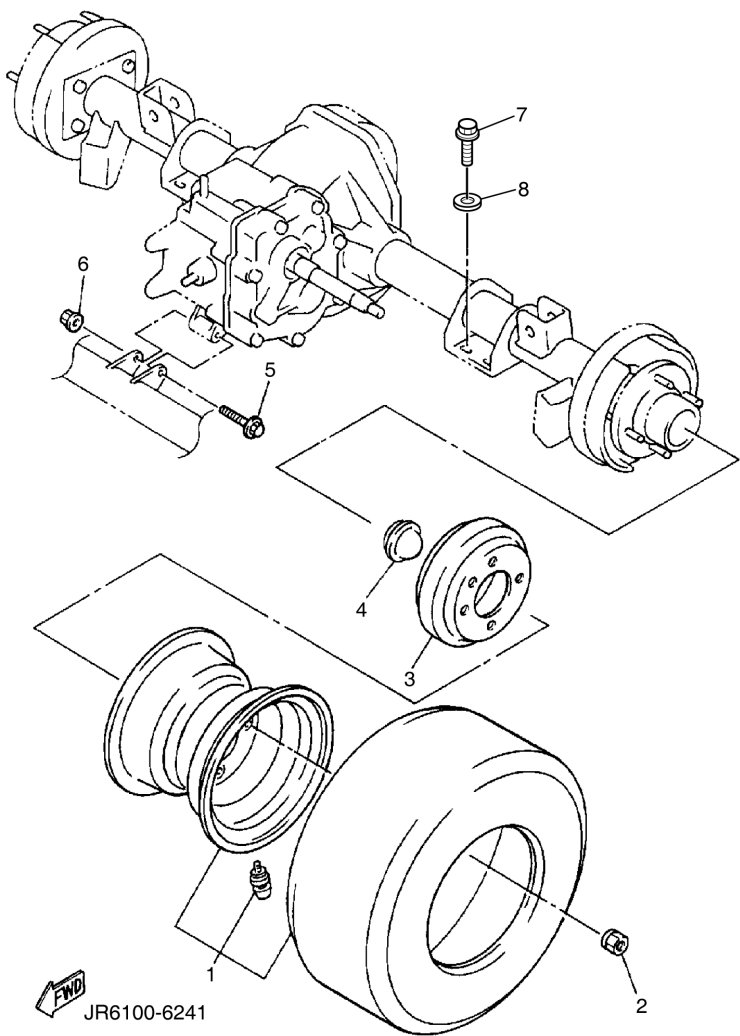
| REF NO. | PART NUMBER | DESCRIPTION | QTY | REMARKS |
|---------|-----------------|-------------------------|-----|---------|
| 28 | 93306-205X2-00 | .BEARING | 2 | |
| 29 | JR3-G6514-00-00 | .HUB, RR. AXLE | 2 | |
| 30 | 90114-12804-00 | .BOLT, KNURLED | 8 | |
| 31 | JN3-G6556-00-00 | .BRACKET, 3 | 1 | |
| 32 | 90185-19842-00 | .NUT, SELF-LOCKING | 2 | |
| 33 | JH7-G5619-00-00 | .CAP | 1 | |
| 34 | JN6-F7290-03-00 | .BACKING PLATE ASSY. LH | 1 | |
| 35 | JN6-F7280-03-00 | .BACKING PLATE ASSY. RH | 1 | |
| 36 | 90101-08855-00 | .BOLT, HEX. | 8 | |
| 37 | 90170-08841-00 | .NUT, HEX. | 8 | |
| 38 | 90201-178H8-00 | .WASHER, PLAIN | 2 | |
| 39 | JN3-G6316-00-00 | .GEAR, PINION 1 | 1 | |
| 40 | JR6-G6326-00-00 | .GEAR, WHEEL 1 | 1 | |
| 41 | JN3-G6327-00-00 | .GEAR, WHEEL 2 | 1 | |
| 42 | JN3-G6356-00-00 | .GEAR, IDLER | 1 | |
| 43 | 90201-208H9-00 | .WASHER, PLAIN | 1 | |
| 44 | 90201-208J0-00 | .WASHER, PLAIN | 1 | |
| 45 | 93440-20813-00 | .CIRCLIP | 1 | |
| 46 | JN3-G638A-00-00 | .BAR, SHIFT 1 | 1 | |
| 47 | JN6-G638E-00-00 | .BAR, SHIFT 2 | 1 | |
| 48 | 90113-08803-00 | .BOLT, SET | 1 | |
| 49 | 90501-10852-00 | .SPRING, COMPRESSION | 1 | |
| 50 | 93500-06826-00 | .BALL | 1 | |
| 51 | 93410-12822-00 | .CIRCLIP | 1 | |
| 52 | 90202-12807-00 | .WASHER, PLAIN | 1 | |
| 53 | 93104-11829-00 | .SEAL, OIL | 1 | |
| 54 | 93109-10820-00 | .SEAL, OIL | 1 | |

FIG. 23 TRANSMISSION 1



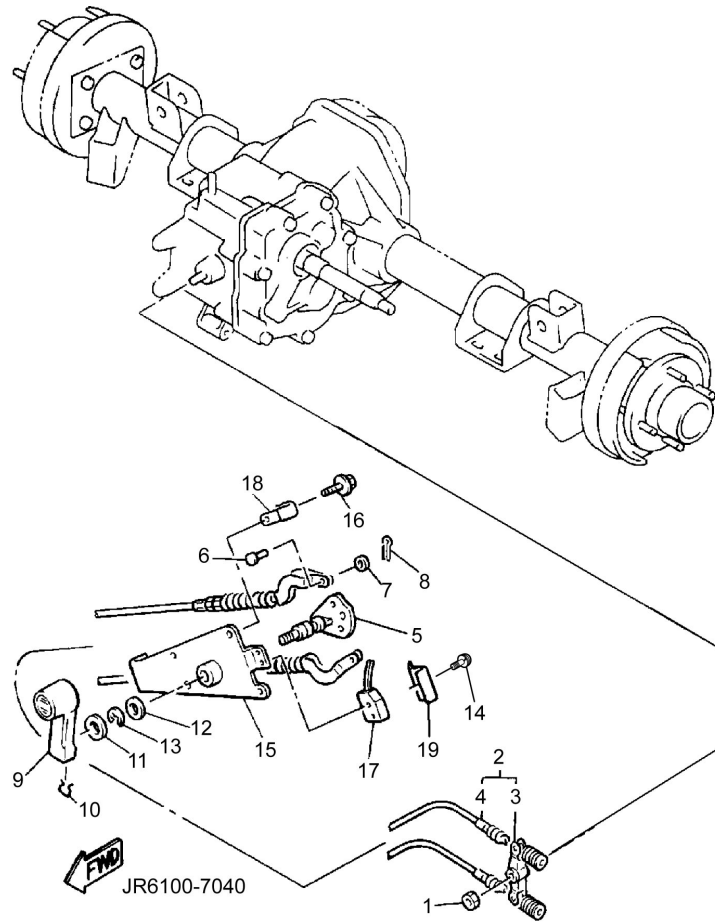
| REF NO. | PART NUMBER | DESCRIPTION | QTY | REMARKS |
|---------|-----------------|-------------------|-----|------------------|
| 55 | JU0-G6164-00-00 | .GOVERNOR BUSHING | 1 | |
| 56 | JN3-G6153-00-00 | .COLLAR, GUIDE | 1 | |
| 57 | 93606-10842-00 | .PIN, DOWEL | 2 | |
| 58 | JN3-G6344-00-00 | .SHIM | 1 | 0.76mm (0.030in) |
| | JN3-G6344-10-00 | .SHIM | 1 | 0.90mm (0.035in) |
| | JN3-G6344-20-00 | .SHIM | 1 | 1.0mm (0.040in) |
| | JN3-G6344-30-00 | .SHIM | 1 | 1.14mm (0.045in) |
| | JN3-G6344-40-00 | .SHIM | 1 | 1.27mm (0.050in) |
| | JN3-G6344-50-00 | .SHIM | 1 | 1.39mm (0.055in) |
| | JN3-G6344-60-00 | .SHIM | 1 | 1.52mm (0.060in) |
| | JN3-G6344-70-00 | .SHIM | 1 | 1.65mm (0.065in) |
| | JN3-G6344-80-00 | .SHIM | 1 | 0.38mm (0.015in) |
| | JN3-G6344-90-00 | .SHIM | 1 | 1.78mm (0.070in) |
| | JN3-G6344-A0-00 | .SHIM | 1 | 1.92mm (0.075in) |
| | JN3-G6344-B0-00 | .SHIM | 1 | 2.03mm (0.080in) |
| | JN3-G6344-C0-00 | .SHIM | 1 | 2.12mm (0.085in) |
| | JN3-G6344-D0-00 | .SHIM | 1 | 2.29mm (0.090in) |
| 59 | JN3-G6319-00-00 | .GASKET | 1 | |
| 60 | ACC-QUICK-GS-KT | SEALANT 1 | 1 | |

FIG. 24 REAR AXLE MOUNT / WHEEL



| REF NO. | PART NUMBER | DESCRIPTION | QTY | REMARKS |
|---------|-----------------|--------------------------|-----|---------|
| 1 | JR6-F5300-00-00 | WHEEL ASSY. | 2 | |
| 2 | 90179-12262-00 | NUT | 8 | |
| 3 | J55-G6521-10-00 | DRUM | 2 | |
| 4 | JN6-F5118-00-00 | COVER, HUB DUST | 2 | |
| 5 | 95817-08075-00 | BOLT, FLANGE | 1 | |
| 6 | 90179-08491-00 | NUT, FLANGE | 1 | |
| 7 | 9751P-10420-00 | BOLT, HEX. HEAD W/WASHER | 8 | |
| 8 | 90201-108S3-00 | WASHER PLAIN | 8 | |

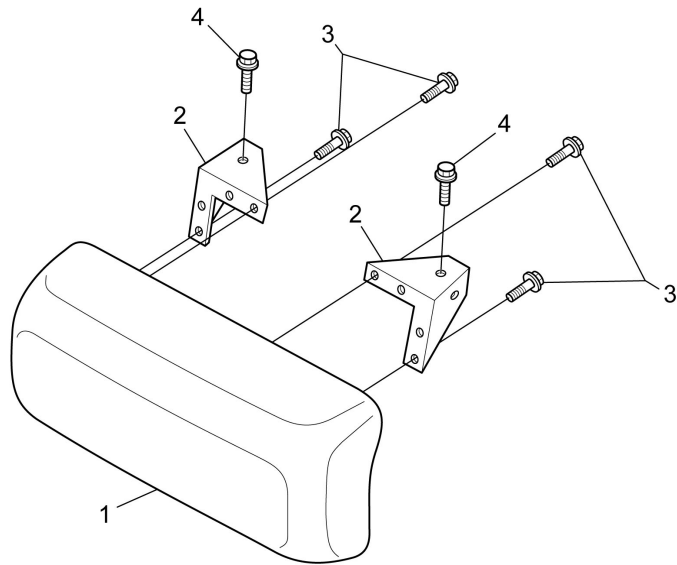
FIG. 25 SHIFTER / CABLES



| REF NO. | PART NUMBER | DESCRIPTION | QTY | REMARKS |
|---------|-----------------|-------------------------|-----|---------|
| 1 | 95617-08100-00 | NUT, U | 1 | |
| 2 | JJ3-G8330-01-00 | SHIFT CABLE END ASSY. | 1 | |
| 3 | J55-G6383-00-00 | .LEVER, SHIFT 2 | 1 | |
| 4 | JJ3-G6371-01-00 | .WIRE, SHIFT | 2 | |
| 5 | JF2-46382-00-00 | LEVER, SHIFT 1 | 1 | |
| 6 | 91701-06014-00 | PIN | 2 | |
| 7 | 92907-06600-00 | WASHER, PLAIN | 2 | |
| 8 | 91490-20015-00 | PIN, SPLIT | 2 | |
| 9 | JN3-G6381-00-00 | KNOB, SHIFT | 1 | |
| 10 | JN3-G6376-00-00 | SPRING SET | 1 | |
| 11 | 90201-201L9-00 | WASHER, PLAIN | 1 | |
| 12 | 90201-19551-00 | WASHER, PLAIN | 1 | |
| 13 | 99009-19400-00 | CIRCLIP (S) | 1 | |
| 14 | 97607-04325-00 | SCREW, PANHEAD W/WASHER | 2 | |
| 15 | JN3-G6372-00-00 | BRACKET, SHIFT WIRE | 1 | |
| 16 | 90105-06876-00 | BOLT, FLANGE | 4 | |
| 17 | JN3-82617-00-00 | SWITCH | 1 | |
| 18 | 90465-06038-00 | CLAMP | 1 | |
| 19 | JJ3-G6394-00-00 | JOINT | 1 | |

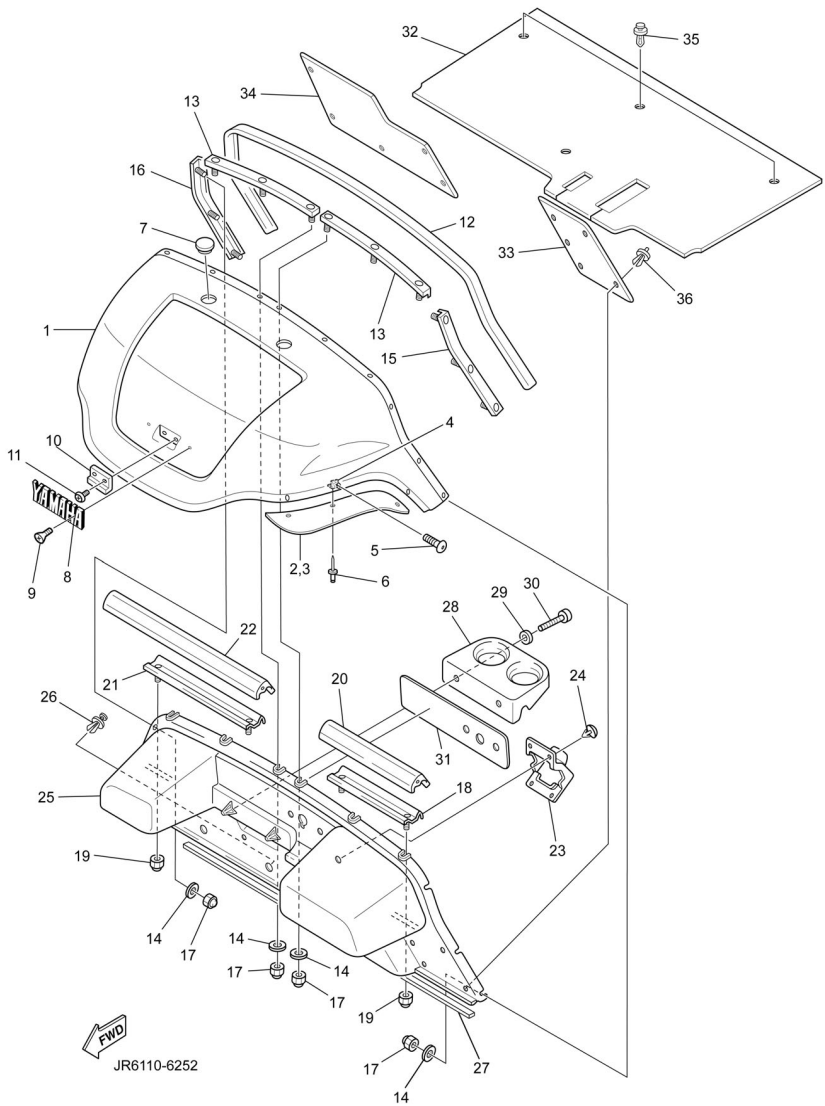
FIG. 26 BUMPER

| REF NO. | PART NUMBER | DESCRIPTION | QTY | REMARKS |
|---------|-----------------|--------------------|-----|---------|
| 1 | JN3-K7510-02-00 | FRONT BUMPER COMP. | 1 | |
| 2 | JN8-K8164-00-00 | STAY, FR. BUMPER | 2 | |
| 3 | 95817-06016-00 | BOLT, FLANGE | 4 | |
| 4 | 9581P-08016-00 | BOLT, FLANGE | 2 | |



JR6100-5240

FIG. 27 BODY



| REF NO. | PART NUMBER | DESCRIPTION | QTY | REMARKS |
|---------|-----------------|-----------------------------|-----|--------------|
| 1 | JN3-K8115-51-00 | COWL, FRONT | 1 | HUNTER GREEN |
| 2 | JR6-F1551-00-00 | FENDER OVER 1 | 1 | |
| 3 | JR6-F1555-00-00 | FENDER OVER 2 | 1 | |
| 4 | JR6-F1546-00-00 | STAY, FENDER 3 | 6 | |
| 5 | 90110-06836-00 | BOLT, HEX SOCKET | 6 | |
| 6 | 90267-48831-00 | RIVET, BLIND | 6 | |
| 7 | JN3-K818E-00-00 | CAP, PROTECTOR | 2 | |
| 8 | JN6-F4161-01-00 | EMBLEM, 1 | 1 | |
| 9 | 90162-04002-00 | SCREW, OVAL COUNTERSUNK TAP | 2 | |
| 10 | JF2-K811G-00-00 | BOLT, COWL FITTING | 1 | |
| 11 | 98980-06016-00 | SCREW, BINDING | 2 | |
| 12 | JF2-K811V-00-00 | PROTECTOR, 1 | 1 | |
| 13 | JF2-K8261-02-00 | PLATE, BODY PROTECTOR 1 | 2 | |
| 14 | 90201-06840-00 | PLATE, 1 | 12 | |
| 15 | JF2-K8262-01-00 | PLATE, BODY PROTECTOR 2 | 1 | |
| 16 | JF2-K8263-01-00 | PLATE, BODY PROTECTOR 3 | 1 | |
| 17 | 90185-06836-00 | NUT, SELF-LOCKING | 12 | |
| 18 | JF2-K8264-00-00 | PLATE, BODY PROTECTOR 4 | 1 | |
| 19 | 9560P-06200-00 | NUT, U-FLANGE | 2 | |
| 20 | JF2-K811W-00-00 | PROTECTOR 2 | 1 | |
| 21 | JF2-K8265-00-00 | PLATE, BODY PROTECTOR | 1 | |
| 22 | JF2-K811X-00-00 | PROTECTOR 3 | 1 | |
| 23 | JF2-78273-00-00 | COVER, HOLE 1 | 1 | |
| 24 | 90269-11042-00 | RIVET | 4 | |
| 25 | JF2-K8114-03-00 | PANEL, FRONT | 1 | SEE NOTE "A" |
| 26 | 90269-08069-00 | RIVET | 3 | |
| 27 | JN3-K815G-00-00 | SEAL, FRONT STORAGE | 1 | |

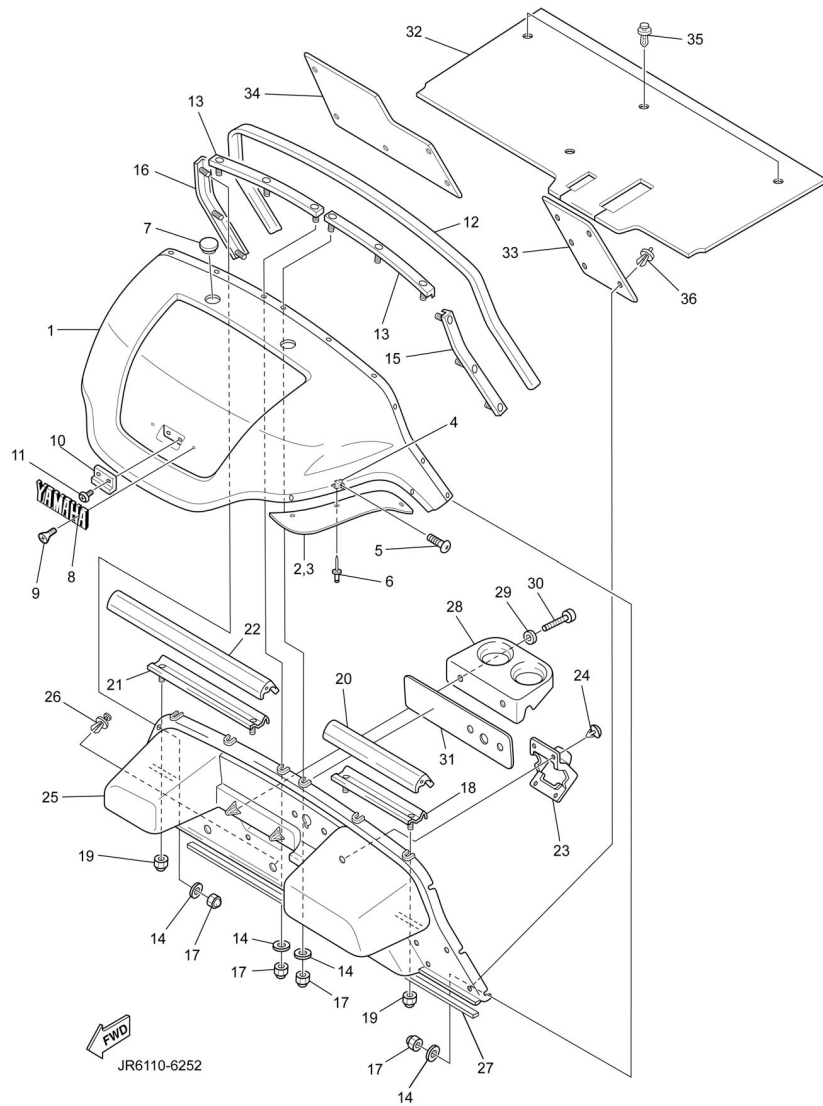
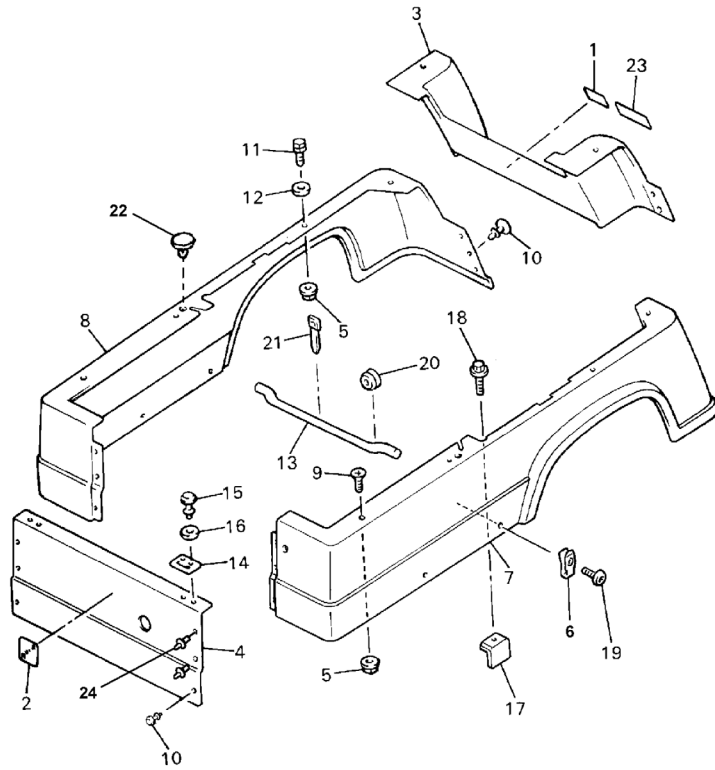


FIG. 27 BODY

| REF NO. | PART NUMBER | DESCRIPTION | QTY | REMARKS |
|---------|-----------------|-------------------|-----|---------|
| 28 | JF2-K835E-00-00 | HOLDER, BEVERAGE | 1 | |
| 29 | 90201-068R6-00 | WASHER, PLATE | 2 | |
| 30 | 97707-60130-00 | SCREW, TAPPING | 2 | |
| 31 | JR6-K7761-00-00 | LABEL, WARNING 1 | 1 | |
| 32 | JN6-K8233-01-00 | MAT, MAIN FLOOR 3 | 1 | |
| 33 | JN6-K8231-01-00 | MAT, MAIN FLOOR 1 | 1 | |
| 34 | JN6-K8232-01-00 | MAT, MAIN FLOOR 2 | 1 | |
| 35 | 90269-08813-00 | RIVET | 4 | |
| 36 | 90267-63047-00 | RIVET, BLIND | 9 | |

NOTE "A": When replacing "Panel Front JF2-K8114-03-00" you should also replace "Label Warning 1 JR6-K7761-00-00".

FIG. 28 BODY 2



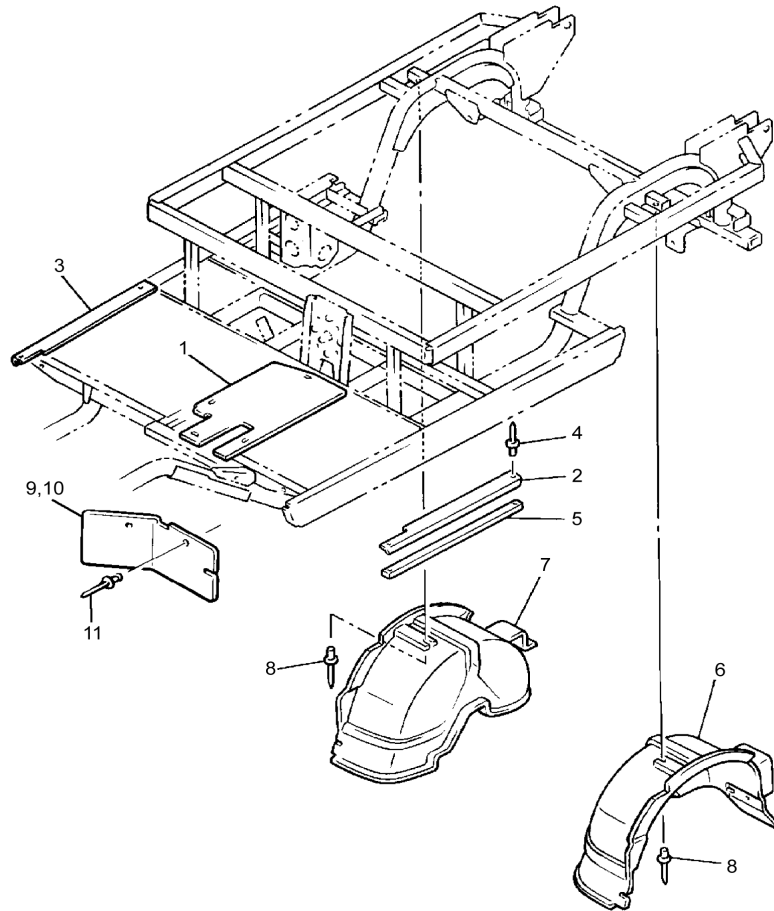
 JJ3110-6261

| REF NO. | PART NUMBER | DESCRIPTION | QTY | REMARKS |
|---------|-----------------|---------------------------|-----|----------------------------|
| 1 | JJ3-K7765-00-00 | LABEL, WARNING 5 | 1 | SEE NOTE "A" |
| 2 | JN3-K7741-00-00 | INDICATOR 1 | 1 | SEE NOTE "B" |
| 3 | JJ3-K8142-50-00 | PANEL, REAR BODY | 1 | HUNTER GREEN, SEE NOTE "A" |
| 4 | JJ3-K8141-50-00 | PANEL, INTERMEDIATE BODY | 1 | HUNTER GREEN, SEE NOTE "B" |
| 5 | 90183-06810-00 | NUT, SPRING | 10 | |
| 6 | 90183-06811-00 | NUT, SPRING | 4 | |
| 7 | JJ3-K8111-51-00 | PANEL, BODY SHELL | 1 | HUNTER GREEN |
| 8 | JJ3-K8112-51-00 | PANEL, BODY SHELL | 1 | HUNTER GREEN |
| 9 | 98780-06020-00 | SCREW, COUNTERSUNK | 2 | |
| 10 | 90267-62841-00 | RIVET, BLIND | 6 | |
| 11 | 90119-06837-00 | BOLT, HEX. W/WASHER | 8 | |
| 12 | 90201-068R8-00 | WASHER, PLATE | 8 | |
| 13 | JJ3-K8226-00-00 | ROD, SEAT STOPPER | 1 | |
| 14 | JJ3-K8427-01-00 | HINGE, SEAT 2 | 2 | |
| 15 | 90267-64834-00 | RIVET, BLIND | 4 | |
| 16 | 90201-088S1-00 | WASHER, PLATE | 4 | |
| 17 | JJ3-K814H-00-00 | HOOK, BODY LOCK | 2 | |
| 18 | 90119-08800-00 | BOLT, HEX. W/WASHER | 2 | |
| 19 | 90110-06836-00 | BOLT, HEXAGON SOCKET HEAD | 4 | |
| 20 | 90480-13018-00 | GROMMET | 1 | |
| 21 | 90464-10814-00 | CLAMP | 1 | |
| 22 | 4XE-F4747-00-00 | BUMPER, RUBBER 1 | 2 | |
| 23 | JJ3-K7768-00-00 | LABEL, WARNING 8 | 1 | SEE NOTE "A" |
| 24 | 90267-36853-00 | RIVET, BLIND | 4 | |

NOTE "A": When replacing "Panel Rear Body JJ3-K8142-50-00" you must also replace "Label Warning 5 JJ3-K7765-00-00", and "Label Warning 8 JJ3-K7768-00-00".

NOTE "B": When replacing "Panel Intermediate Body JJ3-K8141-50-00" you must also replace "Indicator 1 JN3-K7741-00-00".

FIG. 29 BODY FITTING

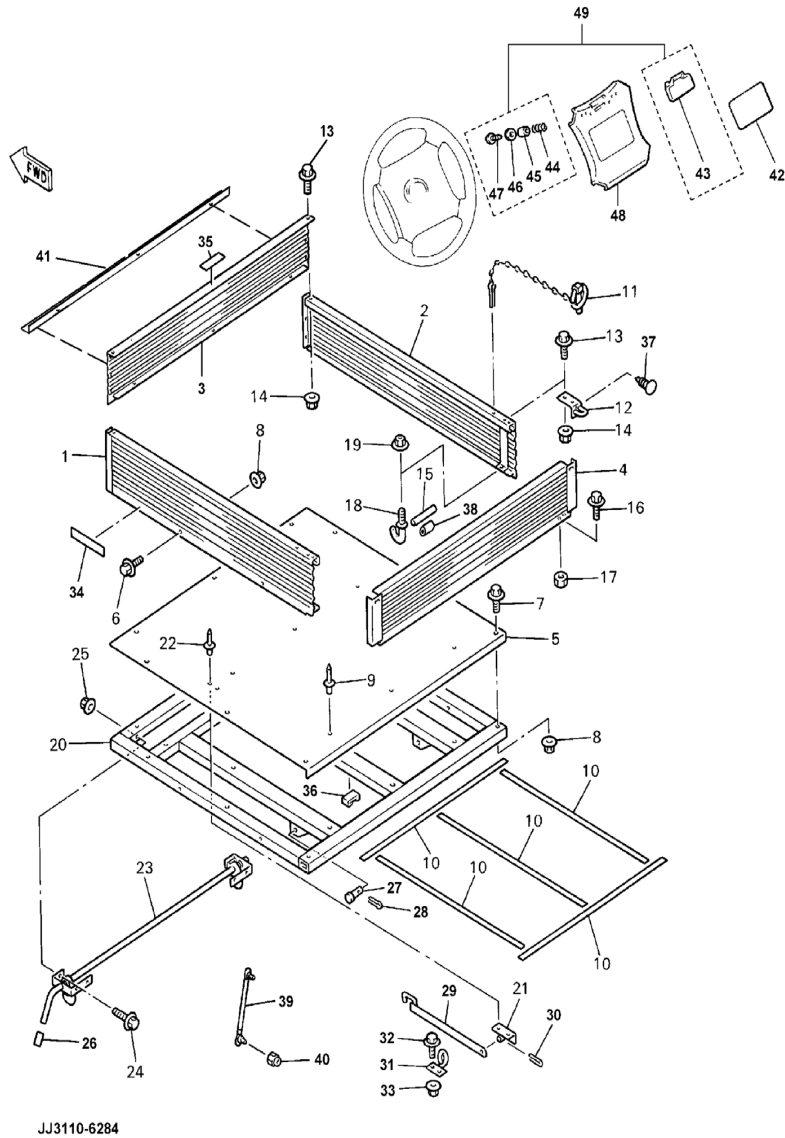


| REF NO. | PART NUMBER | DESCRIPTION | QTY | REMARKS |
|---------|-----------------|--------------------------|-----|---------|
| 1 | JN6-K8271-00-00 | SERVICE LID | 1 | |
| 2 | JF2-K8215-10-00 | PLATE, SIDE TRIM | 1 | |
| 3 | JF2-K821F-10-00 | PLATE, SIDE TRIM 2 | 1 | |
| 4 | 90267-48154-00 | RIVET, BLIND | 4 | |
| 5 | JJ3-K8124-00-00 | REINFORCEMENT 4 | 2 | |
| 6 | JJ3-K8191-00-00 | PANEL, REAR FENDER 1 | 1 | |
| 7 | JJ3-K8192-00-00 | PANEL, REAR FENDER 2 | 1 | |
| 8 | 90267-48831-00 | RIVET, BLIND | 6 | |
| 9 | JF2-K8187-00-00 | FLAP, FRONT FENDER LEFT | 1 | |
| 10 | JF2-K8189-00-00 | FLAP, FRONT FENDER RIGHT | 1 | |
| 11 | 90267-48831-00 | RIVET, BLIND | 4 | |



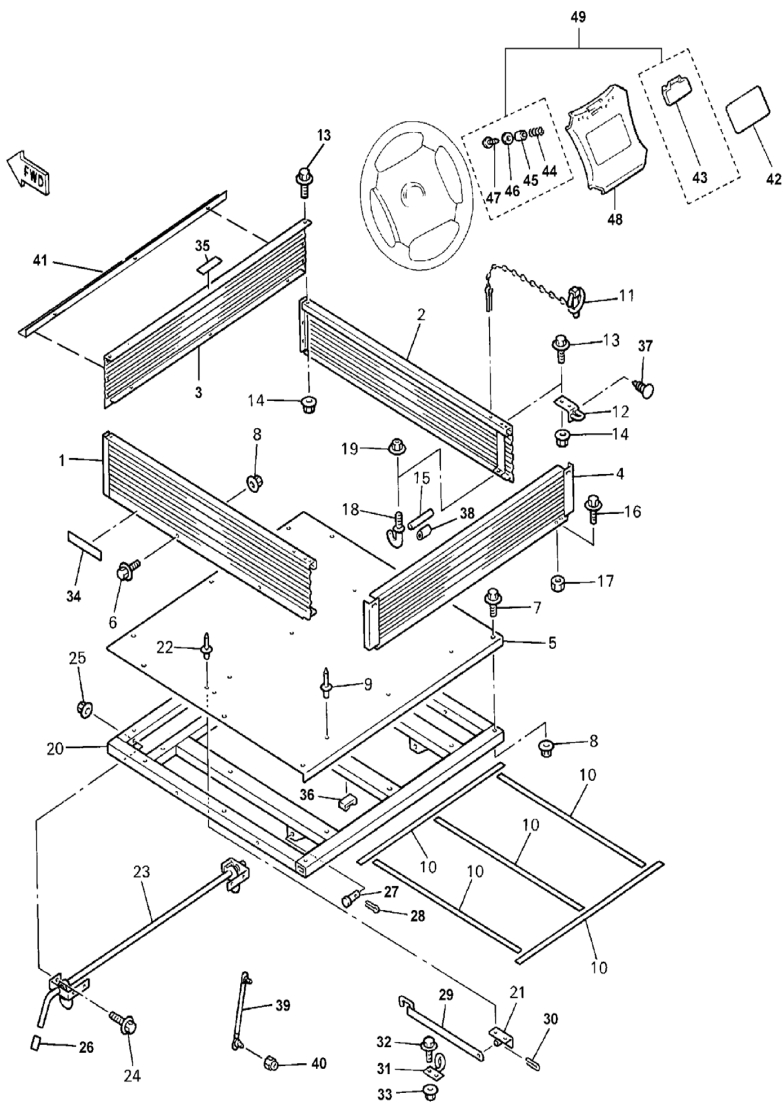
JR3100-7060

FIG. 30 CARRIER



| REF NO. | PART NUMBER | DESCRIPTION | QTY | REMARKS |
|---------|-----------------|------------------------|-----|--------------|
| 1 | JJ3-K810F-00-00 | SIDE PANEL COMP. (LH) | 1 | SEE NOTE "A" |
| 2 | JJ3-K810G-00-00 | SIDE PANEL COMP. (RH) | 1 | |
| 3 | JJ3-K7782-00-00 | PANEL, DASH 2 | 1 | SEE NOTE "B" |
| 4 | JJ3-K810N-01-00 | REAR STORAGE LID COMP. | 1 | |
| 5 | JJ3-K8117-00-00 | PLATE 1 | 1 | |
| 6 | 90119-08808-00 | BOLT, WITH WASHER | 19 | |
| 7 | 90119-08806-00 | BOLT, WITH WASHER | 2 | |
| 8 | 9560P-08200-00 | NUT, SELF-LOCKING | 21 | |
| 9 | 90267-64844-00 | RIVET, BLIND | 6 | |
| 10 | JJ3-K821A-00-00 | PAD, BODY MOUNTING 1 | 5 | |
| 11 | JR3-K8156-00-00 | STOPPER, LOCK | 2 | |
| 12 | JJ3-K8317-01-00 | RING, HOOK | 2 | |
| 13 | 90119-06830-00 | BOLT, HEX. W/WASHER | 6 | |
| 14 | 95607-06200-00 | NUT, U FLANGE | 6 | |
| 15 | JJ3-K8384-00-00 | BOLT, 1 | 2 | |
| 16 | 97017-06020-00 | BOLT, HEX. | 4 | |
| 17 | 9538R-06700-00 | NUT, HEX. | 4 | |
| 18 | JJ3-K8385-01-00 | BOLT 2 | 2 | |
| 19 | 9560P-08200-00 | NUT, U FLANGE | 2 | |
| 20 | JJ3-K818N-01-00 | BED, BOX | 1 | |
| 21 | JJ3-K8376-00-00 | SUPPORT 2 | 1 | |
| 22 | 90267-64844-00 | RIVET, BLIND | 2 | |
| 23 | JJ3-K8380-02-00 | LOCK ASSY | 1 | |
| 24 | 95817-08020-00 | BOLT, FLANGE | 6 | |
| 25 | 9560P-08200-00 | NUT, U FLANGE | 6 | |
| 26 | JJ3-K818M-00-00 | CAP, PROTECTOR END 4 | 1 | |
| 27 | 90240-13808-00 | PIN, CLEVIS | 2 | |

FIG. 30 CARRIER



JJ3110-6284

| REF NO. | PART NUMBER | DESCRIPTION | QTY | REMARKS |
|---------|-----------------|------------------------|-----|--------------|
| 28 | 91490-30030-00 | PIN, COTTER | 2 | |
| 29 | JJ3-K8158-01-00 | ROD, INSPECTION LID | 1 | |
| 30 | 91490-20025-00 | PIN, COTTER | 1 | |
| 31 | JJ3-K8369-00-00 | PIN, LEVER | 1 | |
| 32 | 90119-06830-00 | BOLT, WITH WASHER | 2 | |
| 33 | 95607-06200-00 | NUT, SELF-LOCKING | 2 | |
| 34 | JJ3-K7764-01-00 | LABEL, WARNING 4 | 1 | SEE NOTE "A" |
| 35 | JJ3-K7766-01-00 | LABEL, WARNING 6 | 1 | SEE NOTE "B" |
| 36 | JJ3-K815H-01-00 | DAMPER, LOCK | 3 | |
| 37 | 90338-05830-00 | PLUG | 4 | |
| 38 | JR3-K8316-00-00 | DAMPER | 2 | |
| 39 | JJ3-K7588-00-00 | DAMPER 1 | 1 | |
| 40 | 9560P-08200-00 | NUT, SELF-LOCKING | 2 | |
| 41 | JR3-K8323-00-00 | BRACKET, 1 | 1 | |
| 42 | JN3-K7762-01-00 | LABEL, WARNING 2 | 1 | SEE NOTE "C" |
| 43 | JN6-K8358-01-00 | HOLDER, 2 | 1 | |
| 44 | 90502-10013-00 | SPRING, CONICAL | 2 | |
| 45 | 90387-046N7-00 | COLLAR | 2 | |
| 46 | 90201-044H9-00 | WASHER, PLAIN | 2 | |
| 47 | 97707-40625-00 | SCREW PAN HEAD | 2 | |
| 48 | JN3-K8357-00-00 | HOLDER 1 | 1 | SEE NOTE "C" |
| 49 | JN6-K8358-00-KT | INFORMATION HOLDER KIT | 1 | SEE NOTE "D" |

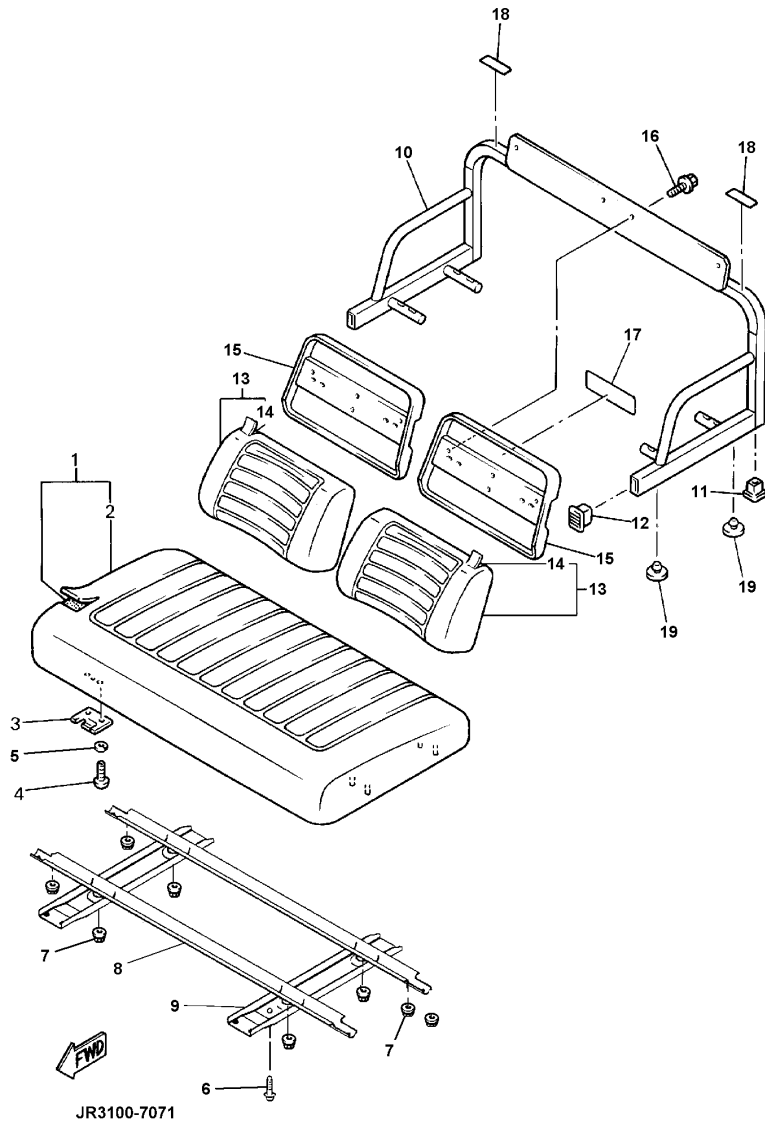
NOTE "A": When replacing "Side Panel Comp. (LH) JJ3-K810F-00-00" you must also replace "Label Warning 4 JJ3-K7764-01-00".

NOTE "B": When replacing "Panel Dash 2 JJ3-K7782-00-00" you must also replace "Label Warning 6 JJ3-K7766-01-00".

NOTE "C": When replacing "Holder 1 JN3-K8357-00-00" you must also replace "Label Warning 2 JN3-K7762-01-00".

NOTE "D": Includes 43, 44, 45, 46, 47

FIG. 31 SEAT

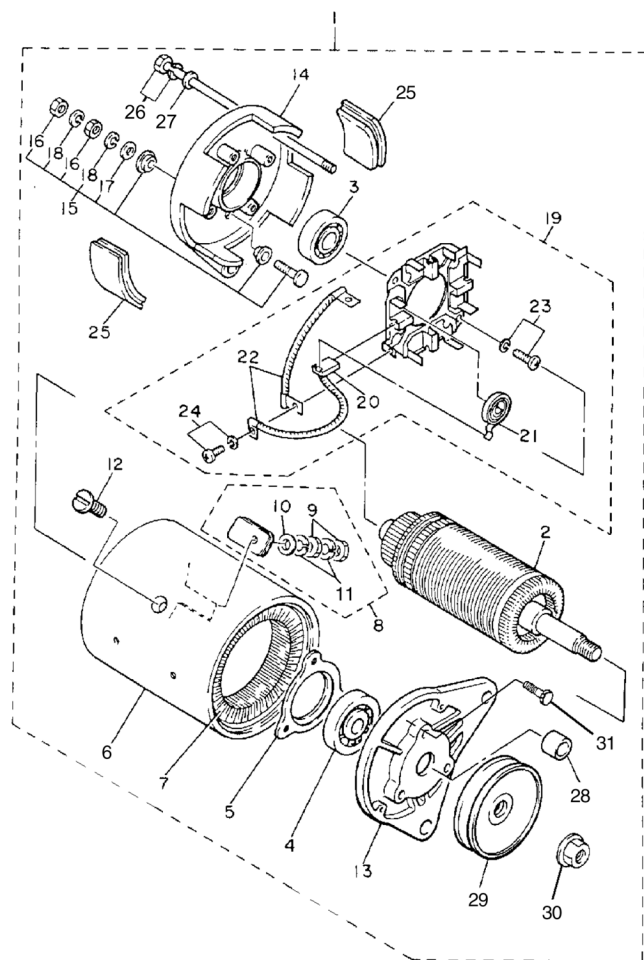


| REF NO. | PART NUMBER | DESCRIPTION | QTY | REMARKS |
|---------|-----------------|----------------------|-----|--------------|
| 1 | JN6-K8401-10-00 | CUSHION SEAT | 1 | |
| 2 | JN6-K8404-10-00 | .COVER, SEAT | 1 | |
| 3 | JN3-K8426-01-00 | HINGE, SEAT MALE | 2 | |
| 4 | 90111-06810-00 | BOLT, HEX | 4 | |
| 5 | 90204-06807-00 | WASHER, SPRG. | 4 | |
| 6 | 90167-04815-00 | SCREW, PAN HEAD TAP | 4 | |
| 7 | 9560P-08200-00 | NUT, SELF-LOCKING | 12 | |
| 8 | JN6-K8121-00-00 | REINFORCEMENT 1 | 2 | |
| 9 | JN6-K8122-01-00 | REINFORCEMENT 2 | 2 | |
| 10 | JJ3-K8420-20-00 | SEAT ASSY 2 | 1 | SEE NOTE "A" |
| 11 | 5FU-F111A-00-00 | CAP, MAIN PIPE | 2 | |
| 12 | JJ3-K8139-00-00 | CAP, END | 2 | |
| 13 | JR3-K8402-10-00 | SEAT SUB ASSY, BACK | 2 | |
| 14 | JR3-K841G-09-00 | .COVER, SEAT BACK 2 | 2 | |
| 15 | JJ3-K8413-10-00 | COVER, SEAT BACK | 2 | SEE NOTE "B" |
| 16 | 90119-06837-00 | BOLT, HEX. W/WASHER | 4 | |
| 17 | JJ3-K7762-00-00 | LABEL, WARNING 2 | 1 | SEE NOTE "B" |
| 18 | JJ3-K7763-00-00 | LABEL, WARNING 3 | 2 | SEE NOTE "A" |
| 19 | JJ3-K8433-01-00 | DAMPER, SEAT SUPPORT | 4 | |

NOTE "A": When replacing "Seat Assy 2 JJ3-K8420-20-00" you must also replace "Label Warning 3 JJ3-K7763-00-00".

NOTE "B": When replacing the LS "Cover Seat Back JJ3-K8413-10-00" you must also replace "Label Warning 2 JJ3-K7762-00-00".

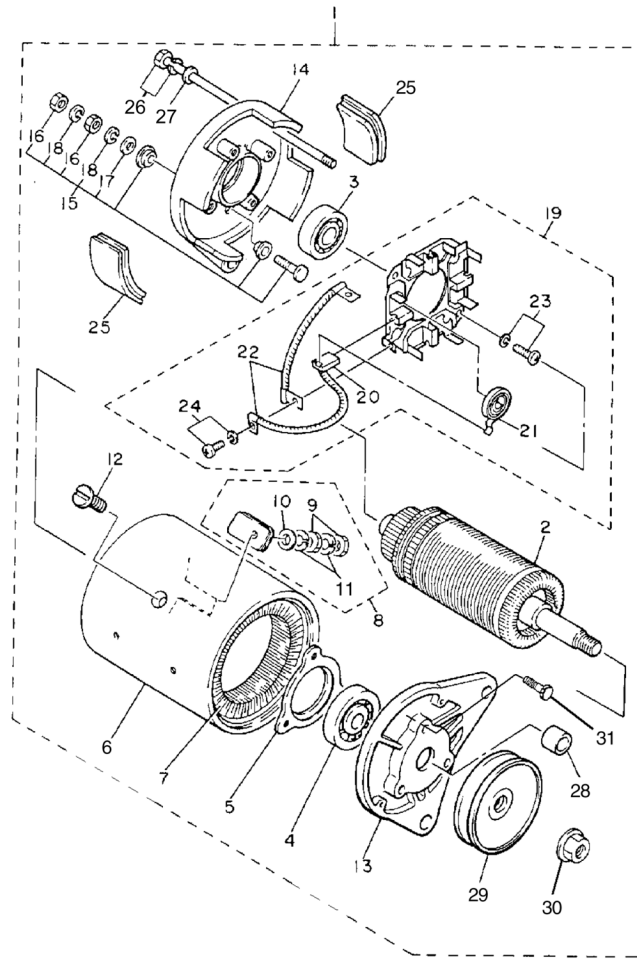
FIG. 32 STARTER GENERATOR



JN6100-6233

| REF NO. | PART NUMBER | DESCRIPTION | QTY | REMARKS |
|---------|-----------------|-------------------------------|-----|---------|
| 1 | JN6-H1100-02-00 | STARTER GENERATOR | 1 | |
| 2 | JN3-H1150-00-00 | .ARMATURE ASSY | 1 | |
| 3 | 93306-20226-00 | .BEARING 1 (6202 SD) | 1 | |
| 4 | J10-81158-10-00 | .BEARING 2 (6203 SD) | 1 | |
| 5 | J10-81159-10-00 | .HOLDER, BEARING | 1 | |
| 6 | JN6-H1110-10-00 | .STATOR ASSY | 1 | |
| 7 | JN6-H1160-10-00 | .FIELD COIL ASSY | 1 | |
| 8 | J10-81148-10-00 | .SCREW 4 | 2 | |
| 9 | 95380-06600-00 | .NUT | 4 | |
| 10 | 92990-06600-00 | .WASHER, WAVE | 2 | |
| 11 | 92995-06100-00 | .WASHER, WAVE | 4 | |
| 12 | J10-81146-10-00 | .SCREW 2 | 4 | |
| 13 | J38-81165-10-00 | .BRACKET, STARTER GENERATOR 1 | 1 | |
| 14 | J10-81166-10-00 | .BRACKET, STARTER GENERATOR 2 | 1 | |
| 15 | J10-81147-10-00 | .SCREW 3 | 2 | |
| 16 | 95380-06600-00 | .NUT | 4 | |
| 17 | 92990-06600-00 | .WASHER, WAVE | 2 | |
| 18 | 92995-06100-00 | .WASHER, WAVE | 4 | |
| 19 | JN6-H1119-00-00 | .BRUSH HOLDER ASSY | 1 | |
| 20 | JF2-81111-00-00 | .BRUSH | 4 | |
| 21 | JN6-H1113-00-00 | .SPRING, BRUSH | 4 | |
| 22 | J10-81115-10-00 | .WIRE, LEAD | 2 | |
| 23 | 98507-05016-00 | .SCREW, PAN HEAD | 2 | |
| 24 | 98580-04010-00 | .SCREW, PAN HEAD | 4 | |
| 25 | J10-81129-10-00 | .COVER, BRUSH | 4 | |
| 26 | J10-81145-10-00 | .SCREW 1 | 2 | |
| 27 | 92990-06600-00 | .WASHER, PLAIN | 2 | |

FIG. 32 STARTER GENERATOR

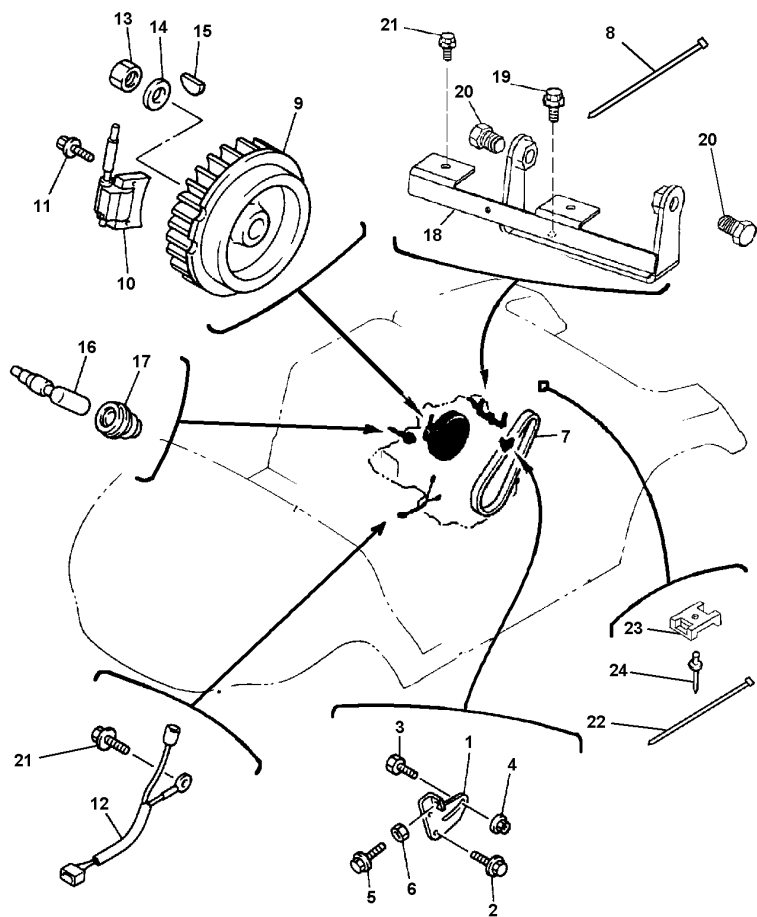


| REF NO. | PART NUMBER | DESCRIPTION | QTY | REMARKS |
|---------|-----------------|--------------|-----|---------|
| 28 | JN3-H1661-00-00 | .SPACER | 1 | |
| 29 | JN3-H1161-00-00 | .PULLEY | 2 | |
| 30 | 90179-16889-00 | .NUT, FLANGE | 1 | |
| 31 | 98507-05018-00 | .SCREW | 3 | |



JN6100-6233

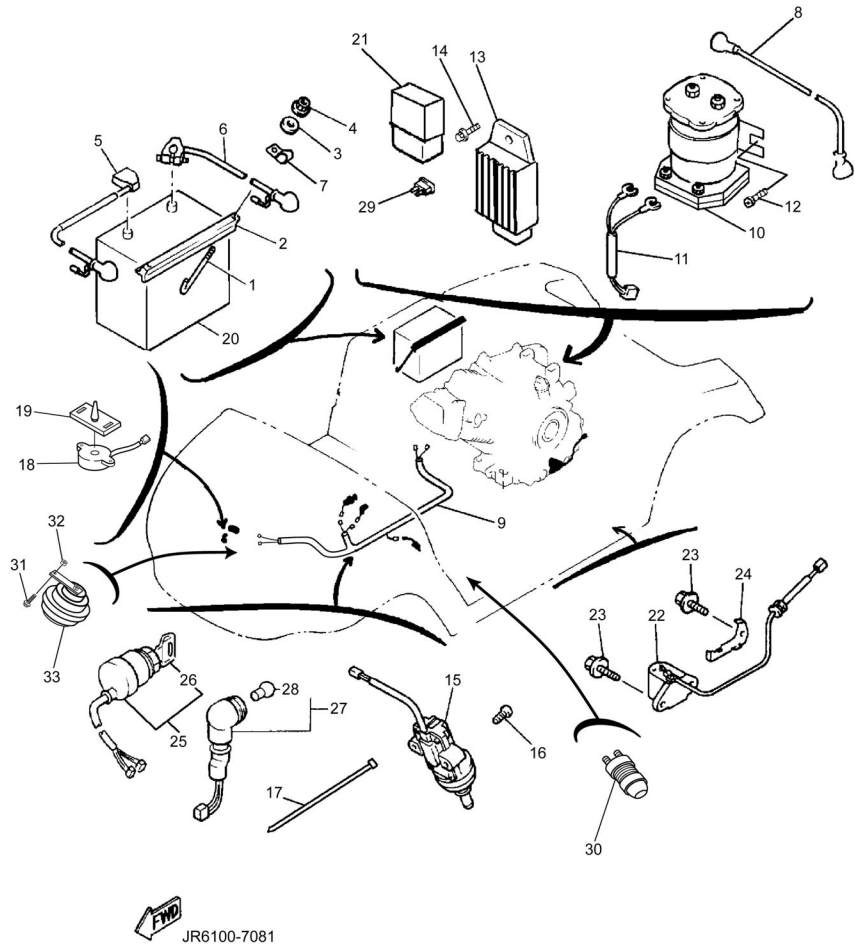
FIG. 33 ELECTRICAL 1



 JN6100-6240

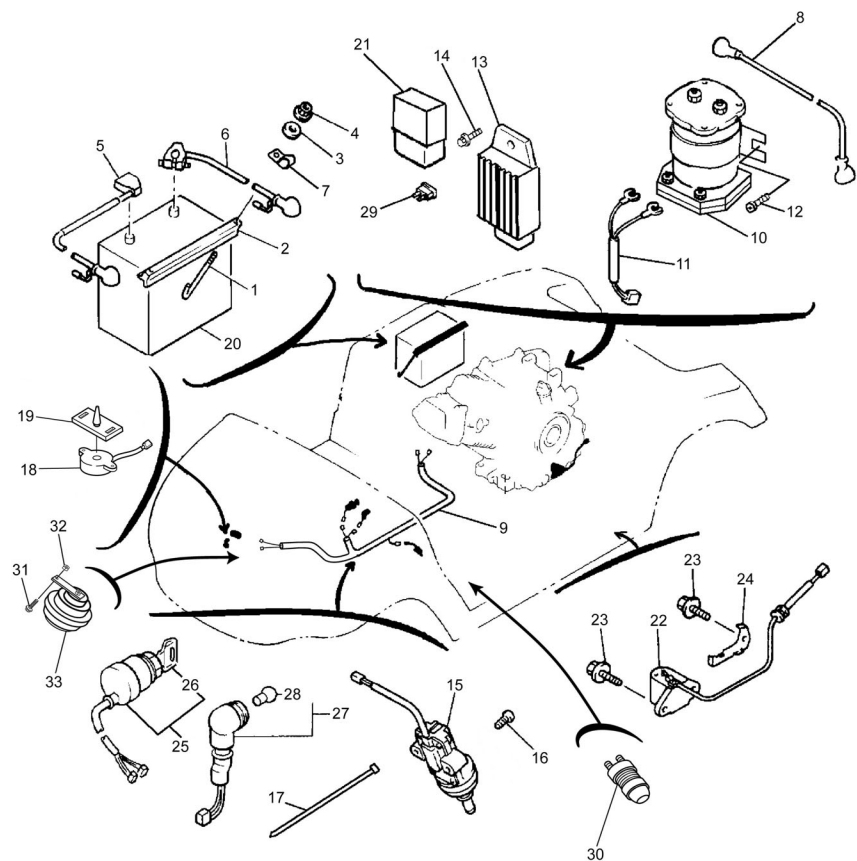
| REF NO. | PART NUMBER | DESCRIPTION | QTY | REMARKS |
|---------|-----------------|----------------------------|-----|---------|
| 1 | JN6-H1170-00-00 | TENSIONER ASSY | 1 | |
| 2 | 9582P-08020-00 | BOLT, FLANGE | 2 | |
| 3 | 90109-08875-00 | BOLT | 1 | |
| 4 | 95707-08500-00 | NUT, FLANGE | 1 | |
| 5 | 90101-06478-00 | BOLT, HEX. | 1 | |
| 6 | 95317-06600-00 | NUT, HEX. | 1 | |
| 7 | JN6-H1173-00-00 | BELT | 1 | |
| 8 | 90464-09823-00 | CLAMP | 1 | |
| 9 | JR7-85650-00-00 | ROTOR ASSY. | 1 | |
| 10 | JN6-85640-01-00 | T.C.I. UNIT | 1 | |
| 11 | 95817-06025-00 | BOLT, FLANGE | 2 | |
| 12 | JN6-82318-00-00 | WIRE, SUB-LEAD | 1 | |
| 13 | 95307-18600-00 | NUT, HEX. | 1 | |
| 14 | 90201-18620-00 | WASHER, PLAIN | 1 | |
| 15 | 90280-04052-00 | KEY, WOODRUFF | 1 | |
| 16 | JN6-82370-00-00 | PLUG CAP ASSY | 1 | |
| 17 | JE8-82372-00-00 | SEAL, PLUG CAP | 1 | |
| 18 | JN6-H1171-00-00 | BRACKET, STARTER GENERATOR | 1 | |
| 19 | 9582P-08020-00 | BOLT, FLANGE | 2 | |
| 20 | 9581P-12025-00 | BOLT, FLANGE | 2 | |
| 21 | 95817-06016-00 | BOLT, FLANGE | 3 | |
| 22 | 90464-40825-00 | CLAMP | 3 | |
| 23 | 90207-05800-00 | WASHER, FINISH | 1 | |
| 24 | 90267-489U9-00 | RIVET | 1 | |

FIG. 34 ELECTRICAL 2



| REF NO. | PART NUMBER | DESCRIPTION | QTY | REMARKS |
|---------|-----------------|-------------------------------|-----|--|
| 1 | JN3-H2133-00-00 | SCREW, FITTING | 2 | |
| 2 | J55-H2136-00-00 | PLATE, BATTERY FITTING | 1 | |
| 3 | 9290P-06200-00 | WASHER, PLAIN | 2 | |
| 4 | 95707-06500-00 | NUT, FLANGE | 2 | |
| 5 | JR3-H2115-01-00 | WIRE, PLUS LEAD 1 | 1 | |
| 6 | JR3-H2116-00-00 | WIRE, MINUS LEAD 2 | 1 | |
| 7 | 90461-08031-00 | CLAMP | 2 | |
| 8 | JR3-H2117-00-00 | WIRE, LEAD | 1 | |
| 9 | JR6-H2590-00-00 | WIRE HARNESS ASSY. | 1 | WITH FUSE |
| 10 | JR3-H1950-00-00 | RELAY ASSY. | 1 | |
| 11 | JN6-H2105-00-00 | HARNESS, WIRE | 1 | |
| 12 | 90163-06005-00 | SCREW, HEX. TAPPING | 2 | |
| 13 | JF2-81910-01-00 | VOLTAGE REGULATOR ASSY. 1 | 1 | |
| 14 | 90105-06876-00 | BOLT, FLANGE | 1 | |
| 15 | JF7-82817-20-00 | SWITCH, ACCELERATOR STOP | 1 | |
| 16 | 97607-05325-00 | SCREW, PAN HEAD W/WASHER | 2 | |
| 17 | 90464-31827-00 | CLAMP | 5 | |
| 18 | JR1-H3383-01-00 | BUZZER | 1 | |
| 19 | JN6-H3386-01-00 | STAY, BUZZER | 1 | |
| 20 | * | BATTERY ASSY. | 1 | LM (12 V, BCI group 24, CCA: minimum 400A) |
| 21 | 4U8-81950-02-00 | RELAY ASSY. | 1 | |
| 22 | JN6-85720-12-00 | OIL LEVEL GAUGE | 1 | |
| 23 | 95817-06012-00 | BOLT, FLANGE | 4 | |
| 24 | JN6-85724-00-00 | CLAMP, OIL LEVEL | 1 | |
| 25 | JN8-82510-02-00 | MAIN SWITCH ASSY. | 1 | |
| | JN8-82510-09-00 | MAIN SWITCH ASSY., RANDOM KEY | 1 | AP |
| 26 | J44-82511-00-YY | KEY, MAIN SWITCH | 1 | FOR STD. MAIN SWITCH ONLY |

FIG. 34 ELECTRICAL 2



 JR6100-7081

| REF NO. | PART NUMBER | DESCRIPTION | QTY | REMARKS |
|---------|-----------------|--------------------|-----|---------|
| 27 | JN6-83530-00-00 | PILOT LAMP A | 1 | |
| 28 | 123-83516-21-XX | .BULB, (12V-3.4W) | 1 | |
| 29 | 42X-82151-00-00 | FUSE (10A-BLADE) | 1 | |
| 30 | JR6-H270X-00-00 | SWITCH, HORN COMP. | 1 | |
| 31 | 9582P-06012-00 | BOLT, FLANGE | 1 | |
| 32 | 95707-06500-00 | NUT, FLANGE | 1 | |
| 33 | 4LR-83371-00-00 | HORN | 1 | |

