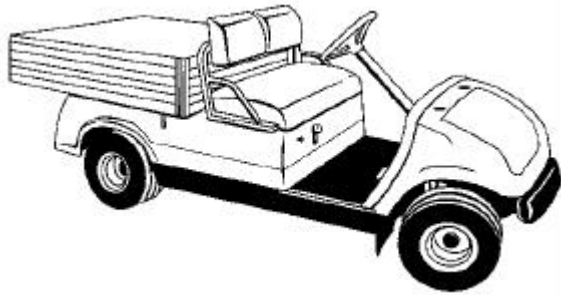


YAMAHA



PARTS CATALOG

1997 G11AR

1998 G11AS

1999 G11AT

2000 G11AU

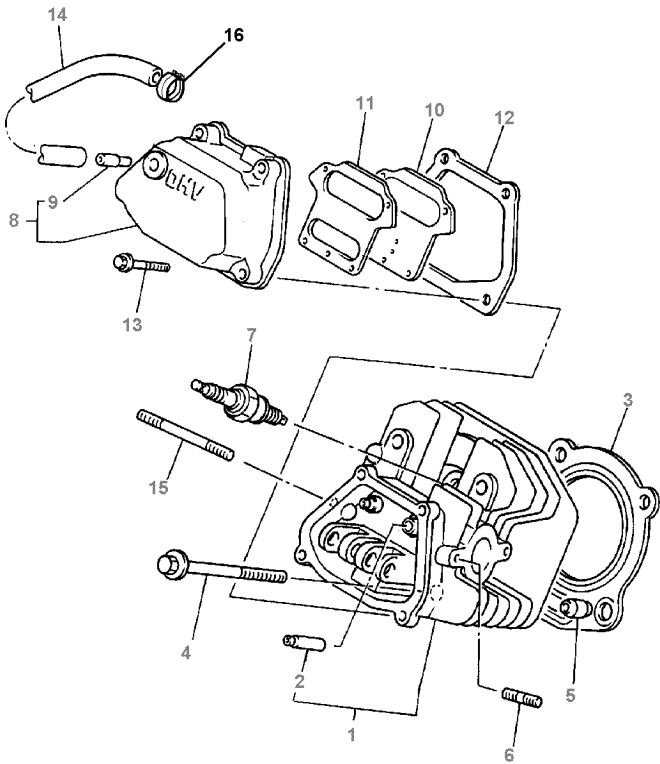
2001 G11AW

(JR31) U.S.A., CANADA, EUROPE, OTHERS

MARCH 2000

10JR3-100E4

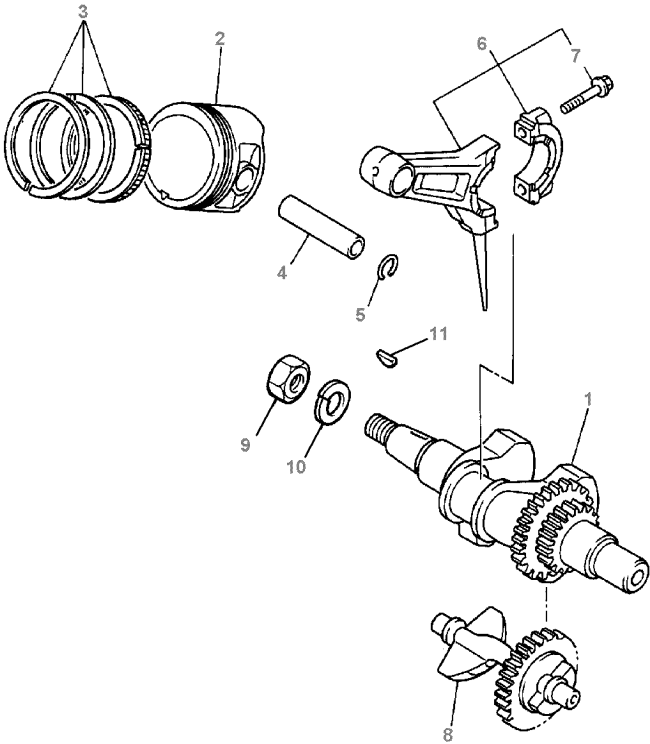
CYLINDER HEAD



| Ref. No. | Part Number | Description | Qty | Remarks |
|----------|-----------------|---------------------------|-----|---------|
| 1 | JN6-11102-00-00 | HEAD, CYLINDER | 1 | |
| 2 | JN6-11133-10-00 | . GUIDE, VALVE | 2 | |
| 3 | JN6-11181-00-00 | GASKET, CYLINDER HEAD ... | 1 | |
| 4 | 95817-10070-00 | BOLT, FLANGE | 4 | |
| 5 | 99530-14016-00 | PIN, DOWEL | 2 | |
| 6 | 95627-08618-00 | BOLT, STUD | 2 | |
| 7 | NGK-BPR2E-S0-00 | PLUG, SPARK | 1 | STD |
| 8 | JN6-11191-00-00 | COVER, CYLINDER | 1 | |
| 9 | JN6-11116-00-00 | . JOINT, BREATHER | 1 | |
| 10 | JN6-11168-00-00 | COVER, BREATHER | 1 | |
| 11 | JN6-11169-00-00 | GASKET, BREATHER | 1 | |
| 12 | JN6-11193-00-00 | GASKET, HEAD COVER 1 | 1 | |
| 13 | 95827-06030-00 | BOLT, FLANGE | 4 | |
| 14 | JN6-E1166-00-00 | PIPE, BREATHER | 1 | |
| 15 | 95607-08710-00 | BOLT, STUD | 2 | |
| 16 | 90464-13847-00 | CLAMP | 2 | |

 JN7010-6011

CRANKSHAFT PISTON

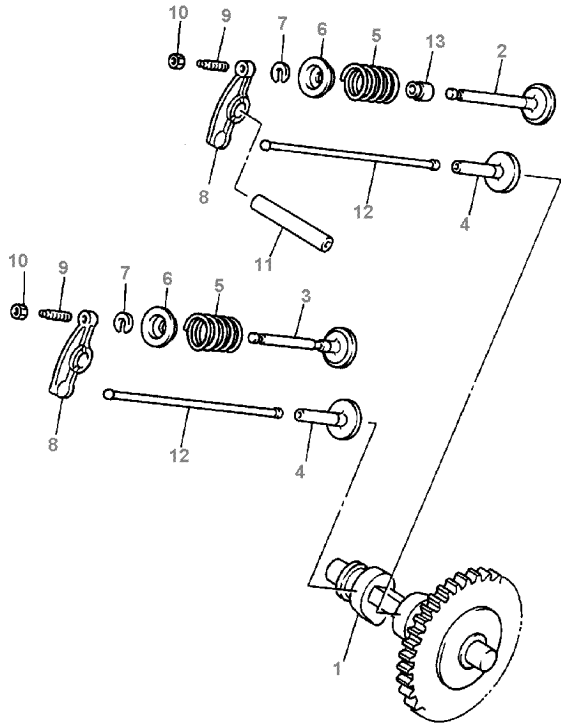


| Ref. No. | Part Number | Description | Qty | Remarks |
|----------|-----------------|------------------------------------|-----|---------|
| 1 | JN6-11400-00-00 | CRANK ASSEMBLY. | 1 | |
| 2 | JN6-11631-00-A0 | PISTON (STD) | 1 | STD |
| | JN6-11635-00-00 | PISTON (0.25MM O/S) | 1 | AP |
| | JN6-11636-00-00 | PISTON (0.50MM O/S) | 1 | AP |
| 3 | JN6-11610-00-00 | PISTON RING SET (STD) | 1 | STD |
| | JN6-11610-10-00 | PISTON RING SET (0.25MM O/S) | 1 | AP |
| | JN6-11610-20-00 | PISTON RING SET (0.50MM O/S) | 1 | AP |
| 4 | 447-11633-00-00 | PIN, PISTON | 1 | |
| 5 | 93450-21053-00 | CIRCLIP | 2 | |
| 6 | JN6-11650-00-00 | CONNECTING ROD ASSEMBLY | 1 | |
| 7 | JN6-11654-00-00 | . BOLT, CONNECTING ROD .. | 2 | |
| 8 | JN6-11454-00-00 | WEIGHT 1 | 1 | |
| 9 | 95307-18600-00 | NUT, HEX. | 1 | |
| 10 | 90201-18620-00 | WASHER, PLAIN | 1 | |
| 11 | 90280-04052-00 | KEY, WOODRUFF | 1 | |

 JN7010-6020

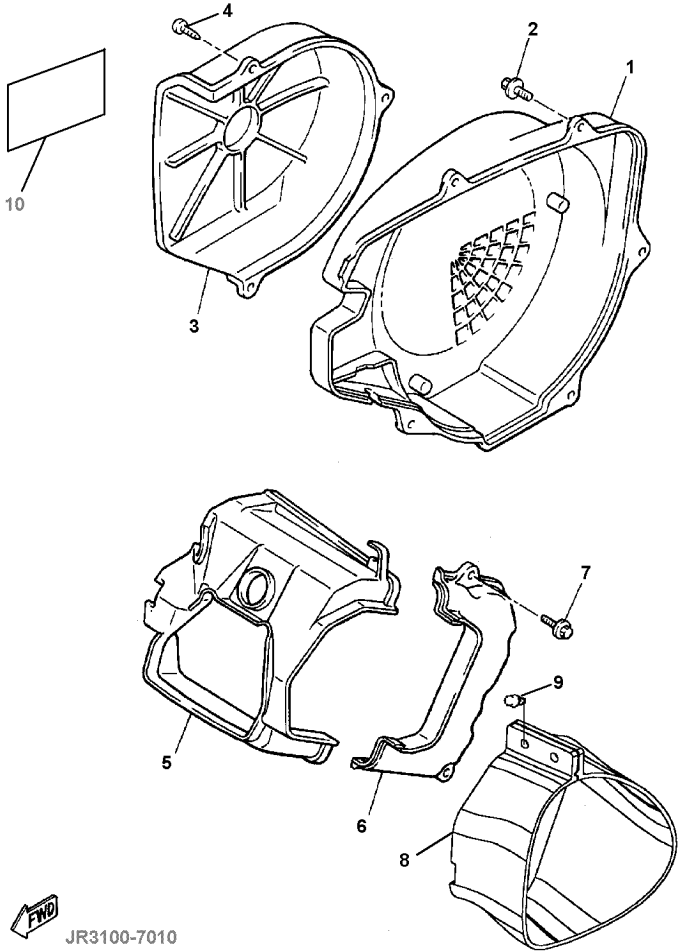
CAMSHAFT VALVE

| Ref. No. | Part Number | Description | Qty | Remarks |
|----------|-----------------|---------------------------|-----|---------|
| 1 | JN6-12171-00-00 | SHAFT, CAM | 1 | |
| 2 | JN6-12111-01-00 | VALVE, INTAKE | 1 | |
| 3 | JN6-12121-00-00 | VALVE, EXHAUST | 1 | |
| 4 | JN6-12153-00-00 | LIFTER, VALVE | 2 | |
| 5 | 90501-264A9-00 | SPRING, COMPRESSION | 2 | |
| 6 | J38-12117-01-00 | RETAINER, VALVE SPRING .. | 2 | |
| 7 | J38-12118-00-00 | COTTER, VALVE | 2 | |
| 8 | JN6-12151-00-00 | ARM, VALVE ROCKER | 2 | |
| 9 | 22F-12159-00-00 | SCREW, VALVE ADJUSTING .. | 2 | |
| 10 | 90170-05302-00 | NUT | 2 | |
| 11 | J38-12156-00-00 | SHAFT, ROCKER 2 | 1 | |
| 12 | JN6-12154-00-00 | ROD, VALVE PUSH | 2 | |
| 13 | 5H0-12119-00-00 | SEAL, VALVE STEM | 1 | |



 JN7010-6030

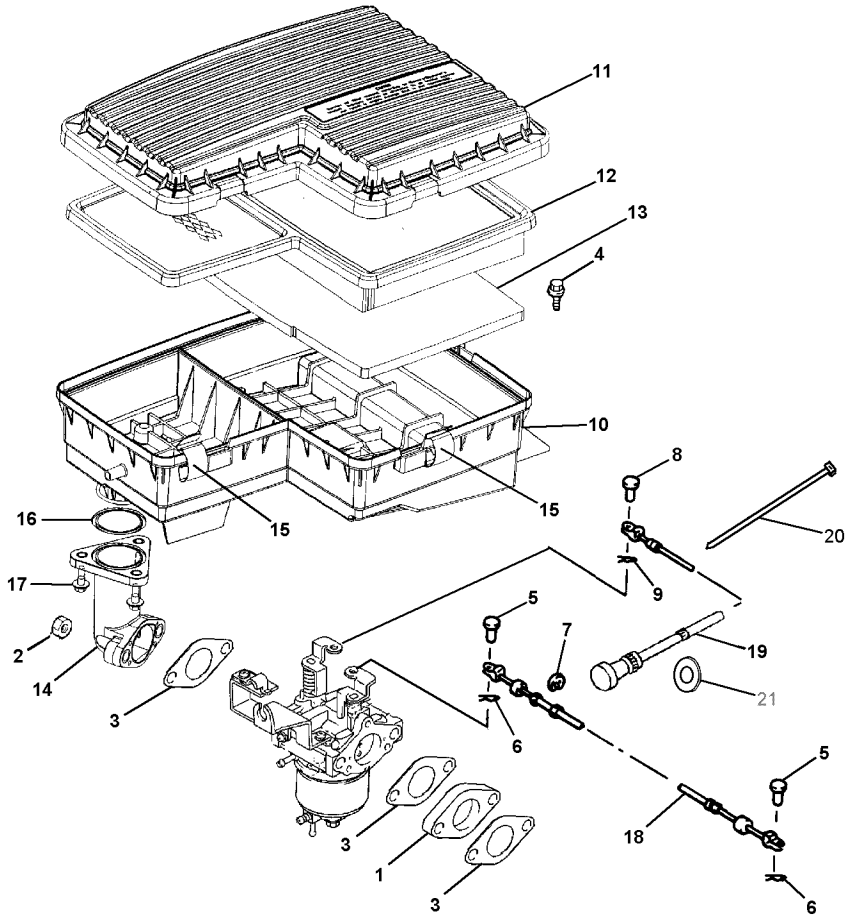
AIR SHROUD FAN



| Ref. No. | Part Number | Description | Qty | Remarks |
|----------|-----------------|---------------------------|-----|---------|
| 1 | JN6-12621-00-00 | CASE, FAN | 1 | |
| 2 | 95817-06020-00 | BOLT, FLANGE | 5 | |
| 3 | JN6-12616-00-00 | COVER, FAN CASE | 1 | |
| 4 | 97707-60520-00 | SCREW, TAPPING | 3 | |
| 5 | JN6-12651-00-00 | AIR SHROUD, CYLINDER | 1 | |
| 6 | JN6-12652-00-00 | AIR SHROUD, CYLINDER | 1 | |
| 7 | 95817-06020-00 | BOLT, FLANGE | 2 | |
| 8 | JN6-E2691-00-00 | DUCT, | 1 | |
| 9 | 90269-08813-00 | RIVET | 2 | |
| 10 | JR3-2179R-00-00 | PLATE, CALIF. | 1 | |

 JR3100-7010

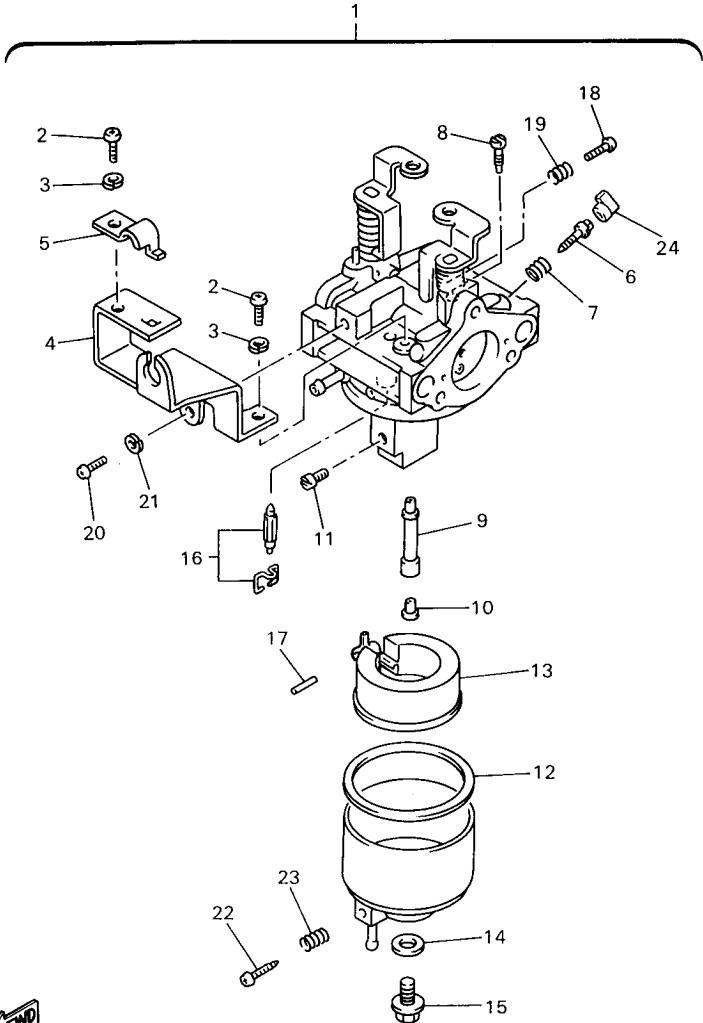
INTAKE



FWD
JR3100-7110

| Ref. No. | Part Number | Description | Qty | Remarks |
|----------|-----------------|---------------------------|-----|---------|
| 1 | JN6-13595-00-00 | JOINT | 1 | |
| 2 | 95707-08500-00 | NUT, FLANGE | 2 | |
| 3 | JN6-13567-00-00 | GASKET | 3 | |
| 4 | 90119-06920-00 | BOLT, WITH WASHER | 2 | |
| 5 | 91701-05010-00 | PIN, CYLINDER. HEAD | 2 | |
| 6 | 90468-10050-00 | CLIP | 2 | |
| 7 | 99080-07600-00 | CIRCLIP (E) | 1 | |
| 8 | 91701-05010-00 | PIN, CYLINDER. HEAD | 1 | |
| 9 | 90468-10050-00 | CLIP | 1 | |
| 10 | JN6-E4411-01-00 | CASE, AIR FILTER | 1 | |
| 11 | JN6-E4412-01-00 | CAP, CASE 1 | 1 | |
| 12 | JN6-E4450-01-00 | ELEMENT ASSEMBLY. | 1 | |
| 13 | JN6-E445E-00-00 | FILTER, | 1 | |
| 14 | JN6-E3586-00-00 | JOINT, CARBURETOR | 1 | |
| 15 | JN6-E4424-00-00 | CLIP, CAP FITTING | 5 | |
| 16 | 93210-398D6-00 | O-RING | 1 | |
| 17 | 90105-06862-00 | BOLT, FLANGE | 3 | |
| 18 | JN6-F6312-00-00 | WIRE, THROTTLE | 1 | |
| 19 | J55-F6331-01-00 | WIRE, STARTER | 1 | |
| 20 | 90464-31827-00 | CLAMP | 1 | |
| 21 | 90201-118N2-00 | WASHER, PLAIN | 1 | |

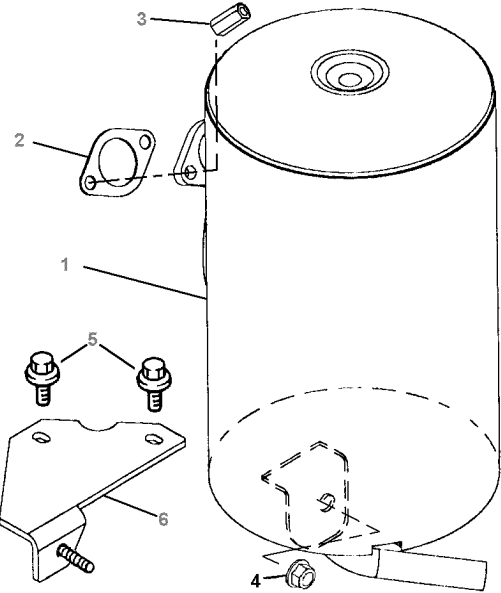
CARBURETOR



JR2010-7060

| Ref. No. | Part Number | Description | Qty | Remarks |
|----------|-----------------|--------------------------------|-----|---------|
| 1 | JN6-14101-10-00 | CARBURETOR ASSEMBLY. . . | 1 | |
| 2 | 98507-05008-00 | . SCREW, PAN HEAD | 2 | |
| 3 | 92990-05100-00 | . WASHER, SPRING | 2 | |
| 4 | JN6-14291-00-00 | . BRACKET | 1 | |
| 5 | J10-14227-00-00 | . WASHER | 1 | |
| 6 | 7LV-14211-00-00 | . SCREW, PILOT ADJUSTING . . | 1 | |
| 7 | 73A-14212-00-00 | . SPRING | 1 | |
| 8 | 620-1414J-24-00 | . JET, PILOT | 1 | |
| 9 | JN6-1495H-3B-00 | . NOZZLE, MAIN | 1 | |
| 10 | 73A-1414G-00-00 | . PIPE, MAIN BREED | 1 | |
| 11 | 3G2-1423E-34-00 | . JET, MAIN 1 # | 1 | |
| 12 | 796-14184-00-00 | . GASKET, FLOAT CHAMBER . . | 1 | |
| 13 | 7KY-14185-00-00 | . FLOAT | 1 | |
| 14 | 127-14198-00-00 | . GASKET | 1 | |
| 15 | 7R1-14162-00-00 | . BOLT, HOLDING | 1 | |
| 16 | JN5-14150-00-00 | . NEEDLE ASSEMBLY | 1 | |
| 17 | 22F-14186-00-00 | . PIN, FLOAT | 1 | |
| 18 | 1WG-14922-00-00 | . SCREW, THROTTLE | 1 | |
| 19 | 73A-14212-10-00 | . SPRING | 1 | |
| 20 | 98507-04010-00 | . SCREW, PAN HEAD | 1 | |
| 21 | 92990-05100-00 | . WASHER, SPRING | 1 | |
| 22 | 7E1-14191-00-00 | . PLUG, DRAIN | 1 | |
| 23 | 73A-14212-00-00 | . SPRING | 1 | |
| 24 | 7LV-14118-00-00 | . CAP (CUT AWAY 1/8) | 1 | |

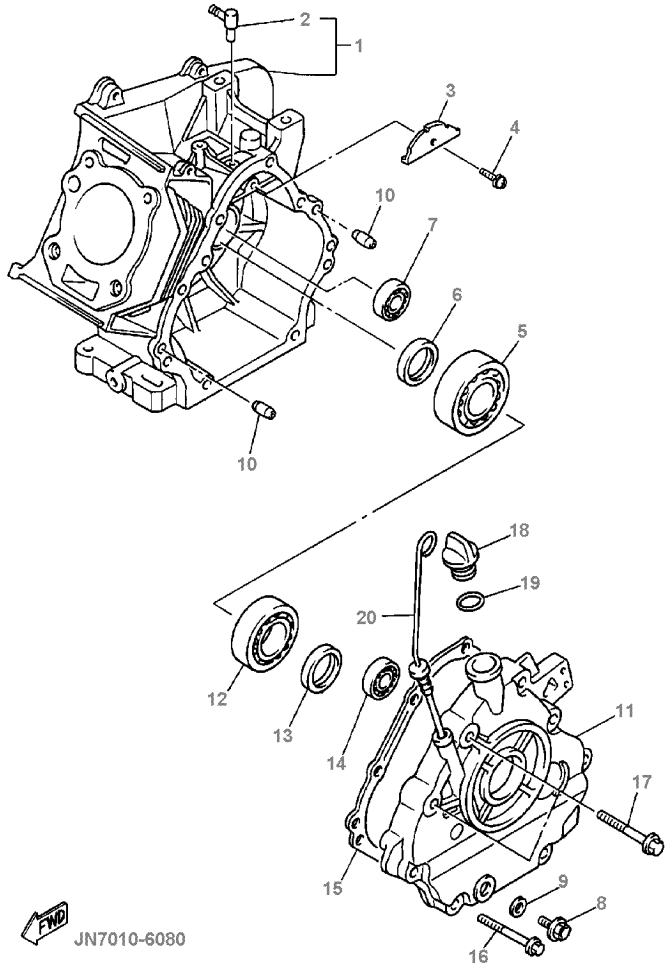
EXHAUST



 JN6100-6021

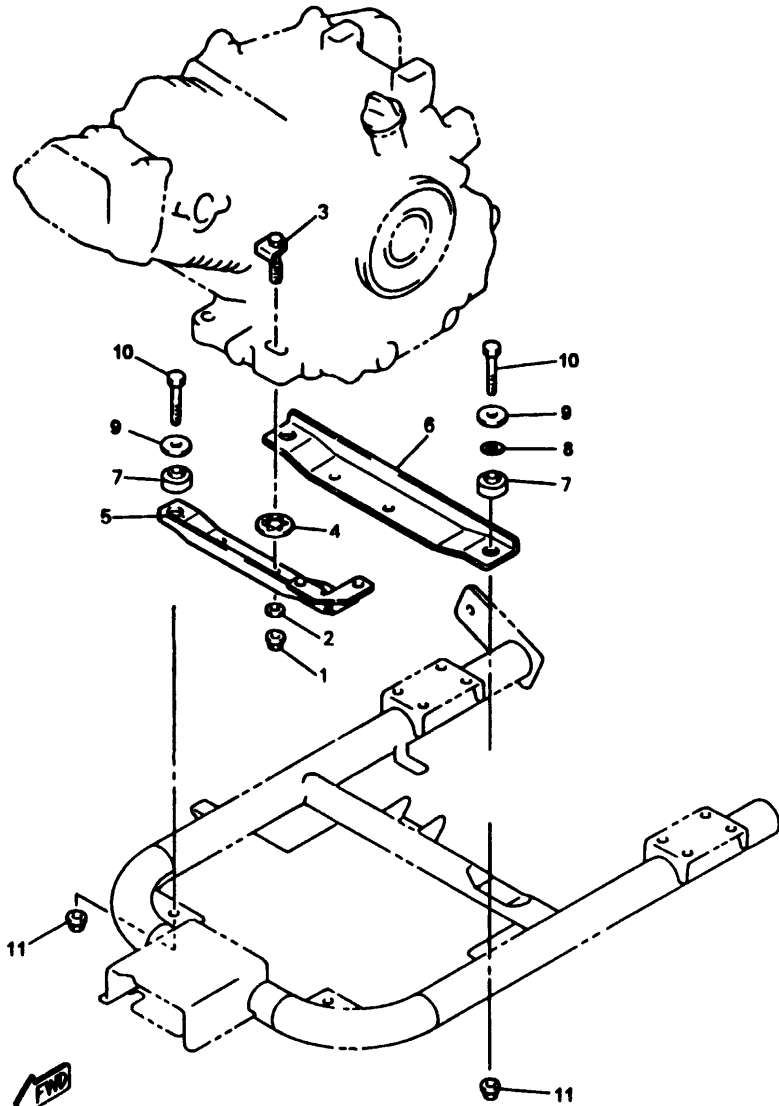
| Ref. No. | Part Number | Description | Qty | Remarks |
|----------|-----------------|---------------------------|-----|---------|
| 1 | JN6-E4710-00-00 | MUFFLER ASSEMBLY | 1 | |
| 2 | 7KY-14613-01-00 | GASKET, EXHAUST PIPE | 1 | |
| 3 | 90179-08879-00 | NUT | 2 | |
| 4 | 90185-08841-00 | NUT, U-FLANGE | 1 | |
| 5 | 90119-08825-00 | BOLT, HEX HEAD WWASHER | 2 | |
| 6 | JN6-F1435-10-00 | BRACKET, MUFFLER | 1 | |

CRANKCASE



| Ref. No. | Part Number | Description | Qty | Remarks |
|----------|-----------------|----------------------|-----|---------|
| 1 | JN6-15100-00-00 | CRANKCASE ASSEMBLY | 1 | |
| 2 | JN6-15155-00-00 | . NOZZLE, | 1 | |
| 3 | JN6-15123-00-00 | PLATE, BAFFLE | 1 | |
| 4 | 90159-06107-00 | SCREW, WITH WASHER | 1 | |
| 5 | 93306-30709-00 | BEARING | 1 | |
| 6 | 93102-35191-00 | OIL SEAL | 1 | |
| 7 | 93306-20211-00 | BEARING (6202SH2-C3) | 1 | |
| 8 | 90340-12097-00 | PLUG, STRAIGHT SCREW | 1 | |
| 9 | 812-11198-00-00 | GASKET | 1 | |
| 10 | 99510-08016-00 | PIN, DOWEL | 2 | |
| 11 | JN6-15411-00-00 | COVER, CRANKCASE | 1 | |
| 12 | 93306-20716-00 | BEARING | 1 | |
| 13 | 93102-35191-00 | OIL SEAL | 1 | |
| 14 | 93306-20211-00 | BEARING (6202SH2-C3) | 1 | |
| 15 | JN6-15451-00-00 | GASKET, CRANKCASE | 1 | |
| 16 | 95817-08045-00 | BOLT, FLANGE | 6 | |
| 17 | 95817-10050-00 | BOLT, FLANGE | 2 | |
| 18 | 796-15363-01-00 | PLUG, OIL | 1 | |
| 19 | 93210-22344-00 | O-RING | 1 | |
| 20 | J38-15361-00-00 | GAUGE, LEVEL | 1 | |

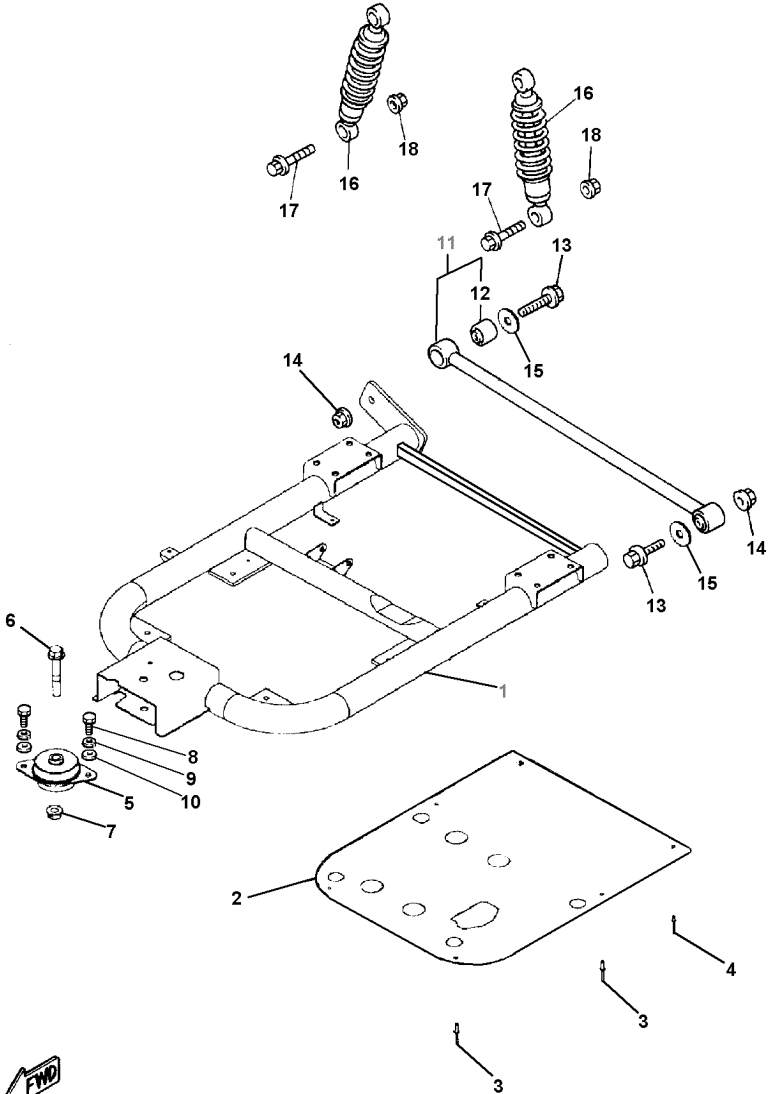
ENGINE MOUNT



JR3100-7120

| Ref. No. | Part Number | Description | Qty | Remarks |
|----------|-----------------|-------------------------|-----|---------|
| 1 | 95617-10200-00 | NUT, SELF-LOCKING | 4 | |
| 2 | 92907-10200-00 | WASHER, PLAIN | 4 | |
| 3 | JN6-F1481-00-00 | BOLT, ENGINE | 4 | |
| 4 | JN6-E5179-00-00 | CLIP | 4 | |
| 5 | JN6-F1411-00-00 | BRACKET, ENGINE | 1 | |
| 6 | JN6-F1419-02-00 | BRACKET, ENGINE | 1 | |
| 7 | JR3-F1459-00-00 | SPACER | 4 | |
| 8 | 92990-08200-00 | WASHER, PLAIN | 2 | |
| 9 | 90201-088K6-00 | WASHER, PLAIN | 4 | |
| 10 | 90101-08880-00 | BOLT, HEX | 4 | |
| 11 | 90179-08885-00 | NUT, U-FLANGE | 4 | |

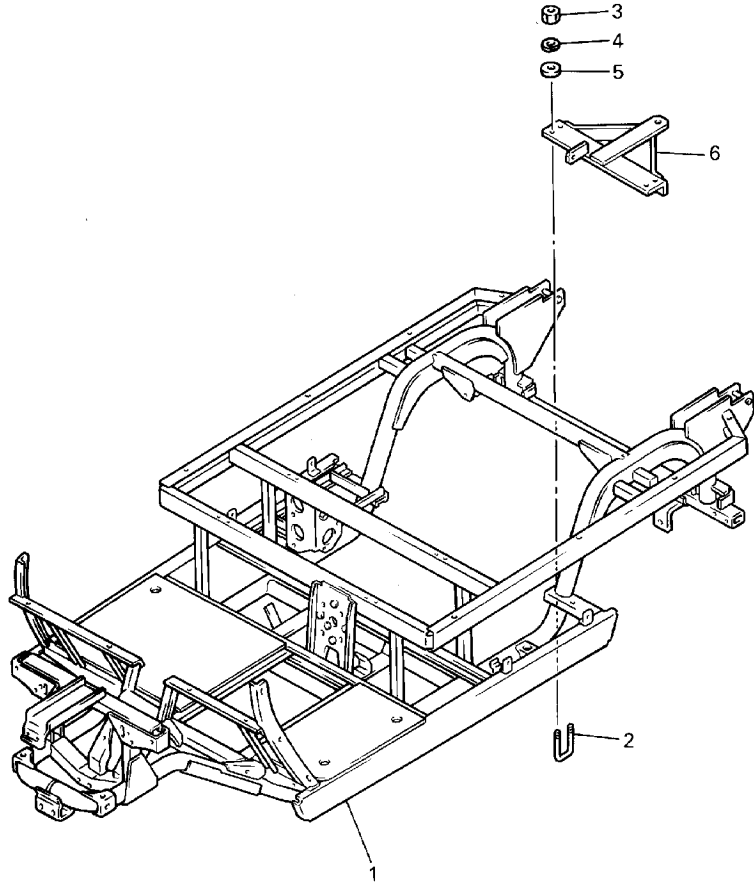
REAR ARM SUSPENSION



| Ref. No. | Part Number | Description | Qty | Remarks |
|----------|-----------------|-------------------------|-----|---------|
| 1 | JN6-F2110-01-00 | REAR ARM COMP. | 1 | |
| 2 | JN6-F2128-01-00 | COVER, | 1 | |
| 3 | 90267-48850-00 | RIVET, BLIND | 4 | |
| 4 | 90267-40851-00 | RIVET, BLIND | 2 | |
| 5 | JN6-F2123-00-00 | BUSHING, | 1 | |
| 6 | 90105-13864-00 | BOLT, FLANGE | 1 | |
| 7 | 90179-13878-00 | NUT | 1 | |
| 8 | 97017-10020-00 | BOLT | 2 | |
| 9 | 92907-10100-00 | WASHER, SPRING | 2 | |
| 10 | 92907-10600-00 | WASHER, PLATE | 2 | |
| 11 | JN6-F217G-00-00 | ROD, CONNECTING | 1 | |
| 12 | JN6-F2124-00-00 | BUSHING, | 2 | |
| 13 | 95817-12065-00 | BOLT, FLANGE | 2 | |
| 14 | 95617-12200-00 | NUT, SELF-LOCKING | 2 | |
| 15 | 90201-12426-00 | WASHER, PLATE | 2 | |
| 16 | JJ3-F2210-00-00 | SHOCK ABSORBER | 2 | |
| 17 | 95817-12065-00 | BOLT, FLANGE | 4 | |
| 18 | 90185-12072-00 | NUT, SELF-LOCKING | 4 | |

JR3100-7020

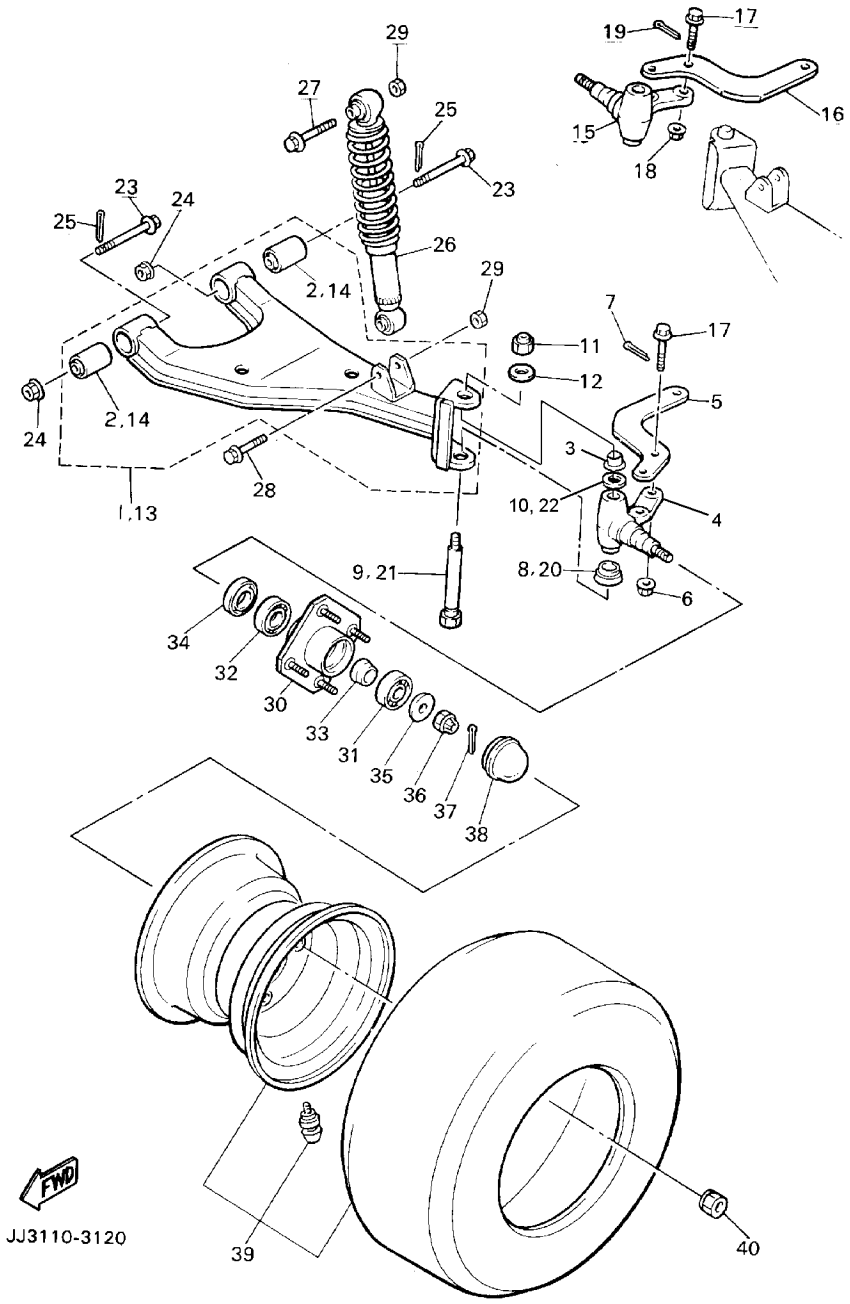
FRAME



JJ3110-6110

| Ref. No. | Part Number | Description | Qty | Remarks |
|----------|-----------------|----------------------|-----|---------|
| 1 | JR3-F2501-00-00 | FRAME COMP. | 1 | |
| 2 | 90109-10862-00 | BOLT | 2 | |
| 3 | 90170-10847-00 | NUT, HEX | 4 | |
| 4 | 92907-10100-00 | WASHER, SPRING | 4 | |
| 5 | 92907-10200-00 | WASHER, PLAIN | 4 | |
| 6 | JJ3-F722B-02-00 | BAR, TOW | 1 | |

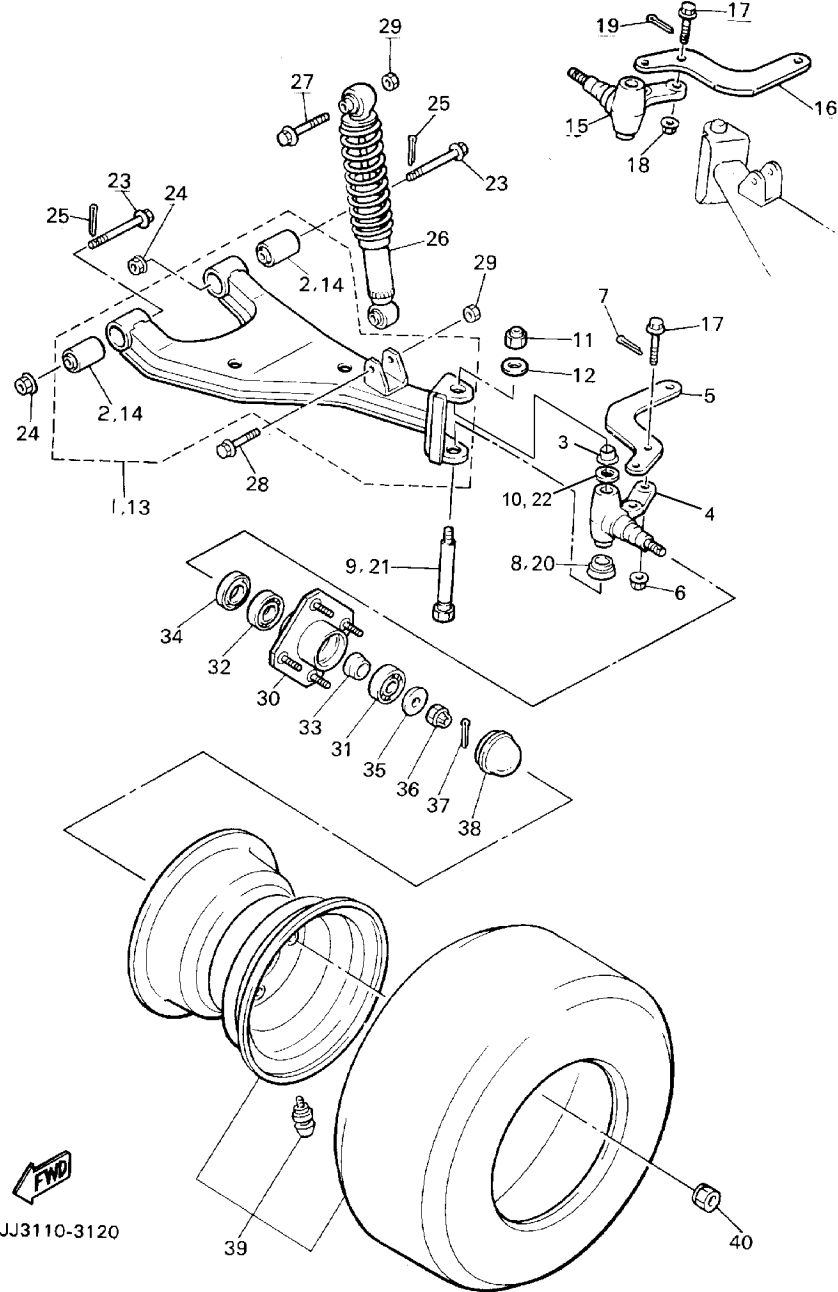
FRONT SUSPENSION WHEEL



| Ref. No. | Part Number | Description | Qty | Remarks |
|----------|-----------------|-----------------------------|-----|---------|
| 1 | JR3-F3570-00-00 | FRONT LOWER ARM COMP. LEFT | 1 | |
| 2 | JN6-F3526-00-00 | . BUSHING, ARM | 2 | |
| 3 | 90386-15139-00 | BUSH | 2 | |
| 4 | JR3-F3501-00-00 | KNUCKLE, STEERING LEFT | 1 | |
| 5 | JN3-F3512-00-00 | ARM, KNUCKLE | 1 | |
| 6 | 95617-10200-00 | NUT, SELF-LOCKING | 2 | |
| 7 | 91401-25020-00 | PIN, COTTER | 2 | |
| 8 | J38-23527-00-00 | SEAL, DUST | 1 | |
| 9 | JJ3-F3516-00-00 | PIN, STEERING KNUCKLE | 1 | |
| 10 | 90201-156J2-00 | WASHER, PLAIN | 1 | |
| 11 | 95607-12200-00 | NUT, SELF-LOCKING | 2 | |
| 12 | 92907-12300-00 | WASHER | 2 | |
| 13 | JR3-F3580-00-00 | FRONT LOWER ARM COMP. RIGHT | 1 | |
| 14 | JN6-F3526-00-00 | . BUSHING, ARM | 2 | |
| 15 | JR3-F3502-00-00 | KNUCKLE, STEERING RIGHT | 1 | |
| 16 | JN3-F3512-00-00 | ARM, KNUCKLE | 1 | |
| 17 | 90105-10360-00 | BOLT, FLANGE | 4 | |
| 18 | 95607-10200-00 | NUT, SELF-LOCKING | 2 | |
| 19 | 91401-25020-00 | PIN, COTTER | 2 | |
| 20 | J38-23527-00-00 | SEAL, DUST | 1 | |
| 21 | JJ3-F3516-00-00 | PIN, STEERING KNUCKLE | 1 | |
| 22 | 90201-156J2-00 | WASHER, PLAIN | 1 | |
| 23 | 90105-10357-00 | BOLT, FLANGE | 4 | |
| 24 | 95617-10200-00 | NUT, SELF-LOCKING | 4 | |
| 25 | 91401-25020-00 | PIN, COTTER | 4 | |
| 26 | JJ3-F3350-00-00 | SHOCK ABSORBER ASSEMBLY | 2 | |
| 27 | 97007-10065-00 | BOLT | 2 | |

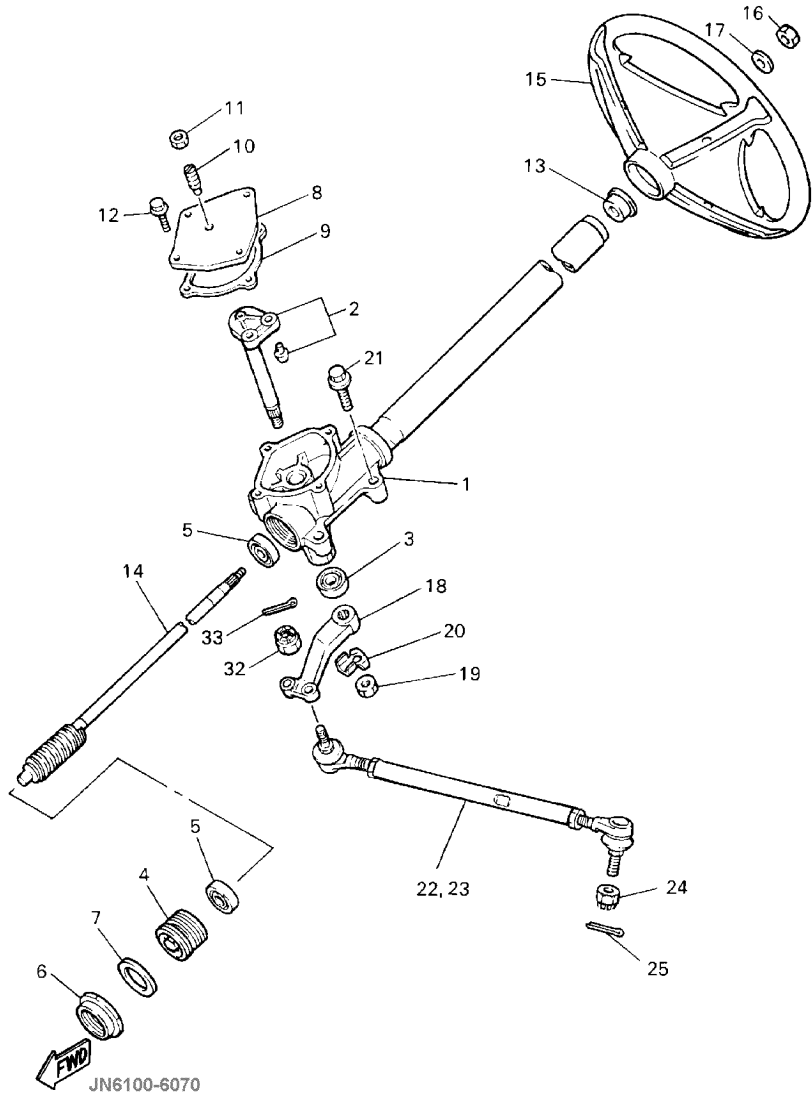
CONTINUED ON NEXT FRAME ►

FRONT SUSPENSION WHEEL



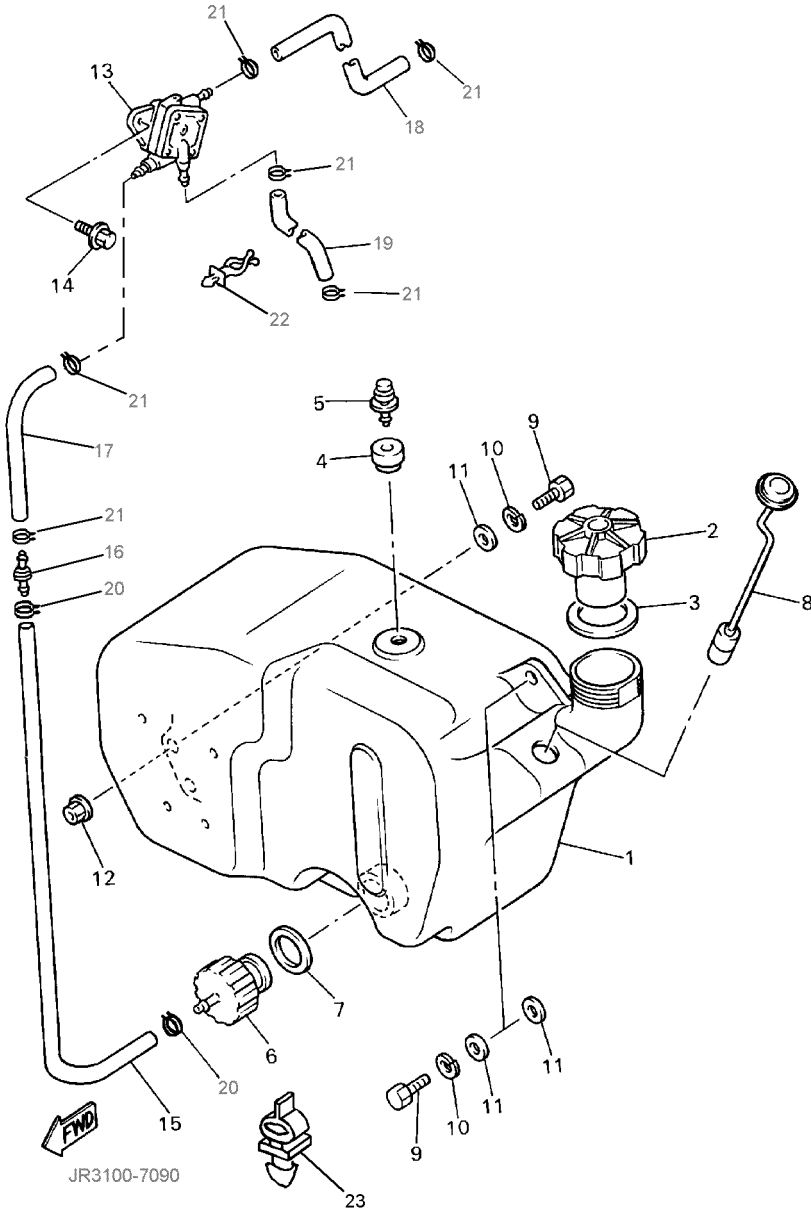
| Ref. No. | Part Number | Description | Qty | Remarks |
|----------|-----------------|----------------------|-----|---------|
| 28 | 97017-10050-00 | BOLT | 2 | |
| 29 | 95617-10100-00 | NUT, U | 4 | |
| 30 | JG5-WF511-00-00 | HUB | 2 | |
| 31 | 93306-204X0-00 | BEARING | 2 | |
| 32 | 93306-005Y3-00 | BEARING | 2 | |
| 33 | 90387-241M7-00 | COLLAR | 2 | |
| 34 | 93102-30083-00 | SEAL, OIL | 2 | |
| 35 | 90209-32271-00 | WASHER | 2 | |
| 36 | 95607-14100-00 | NUT, U | 2 | |
| 37 | 91401-25020-00 | PIN, COTTER | 2 | |
| 38 | J17-25118-00-00 | COVER, HUB DUST | 2 | |
| 39 | *--- | FRONT WHEEL ASSEMBLY | 2 | |
| 40 | 90179-12262-00 | NUT | 8 | |

STEERING



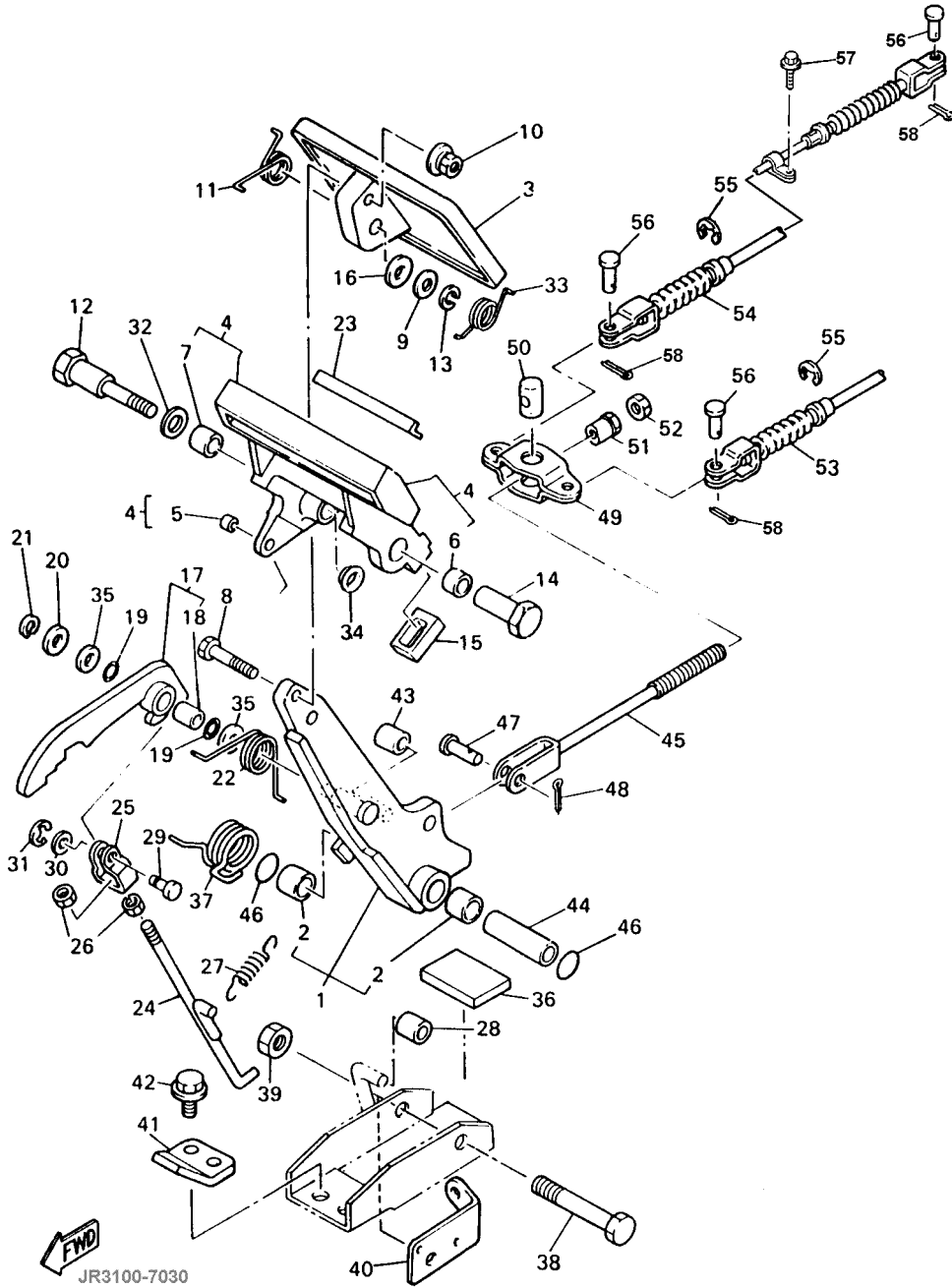
| Ref. No. | Part Number | Description | Qty | Remarks |
|----------|-----------------|----------------------------|-----|---------|
| 1 | JG5-F3811-00-00 | COLUMN, STEERING | 1 | |
| 2 | J38-23816-00-00 | ARM, PITMAN | 1 | |
| 3 | 93102-22314-00 | SEAL, OIL | 1 | |
| 4 | J55-F3876-00-00 | BOLT | 1 | |
| 5 | 93332-000Y2-00 | BEARING | 2 | |
| 6 | J10-23877-00-00 | NUT | 1 | |
| 7 | J10-23444-00-00 | WASHER | 1 | |
| 8 | JN3-F3818-00-00 | COVER, STEERING | 1 | |
| 9 | J38-23462-01-00 | SEAL, STEERING | 1 | |
| 10 | J10-23459-00-00 | BOLT | 1 | |
| 11 | 90170-08024-00 | NUT, HEX. | 1 | |
| 12 | 95817-06020-00 | BOLT, FLANGE | 4 | |
| 13 | JN3-F3814-00-00 | HOLDER, HANDLE | 1 | |
| 14 | J10-23840-00-00 | STEERING SHAFT | 1 | |
| 15 | JN3-F3838-00-00 | WHEEL, STEERING | 1 | |
| 16 | 90185-12119-00 | NUT, SELF-LOCKING | 1 | |
| 17 | 92907-12200-00 | WASHER, PLAIN | 1 | |
| 18 | J38-23826-01-00 | ARM, IDLER | 1 | |
| 19 | 95707-16300-00 | NUT, NYLON | 1 | |
| 20 | 90215-16252-00 | WASHER, TONGUE | 1 | |
| 21 | 95817-10050-00 | BOLT, FLANGE | 4 | |
| 22 | JN3-F3830-00-00 | TIE ROD ASSEMBLY, LEFT ... | 1 | |
| 23 | JN3-F3850-00-00 | TIE ROD ASSEMBLY, RIGHT .. | 1 | |
| 24 | 95617-10200-00 | NUT, SELF-LOCKING | 4 | |
| 25 | 91401-25020-00 | PIN, COTTER | 4 | |

FUEL TANK



| Ref. No. | Part Number | Description | Qty | Remarks |
|----------|-----------------|--|-----|---------|
| 1 | J55-F4111-11-00 | TANK, FUEL | 1 | |
| 2 | J24-24620-01-00 | BODY CAP ASSEMBLY | 1 | |
| 3 | J10-24612-00-00 | GASKET, CAP | 1 | |
| 4 | J10-21773-00-00 | GROMMET | 1 | |
| 5 | J24-24460-01-00 | RELEASE VALVE ASSEMBLY. | 1 | |
| 6 | 8R4-24560-00-00 | FILTER ASSEMBLY. | 1 | |
| 7 | 8F3-24564-00-00 | GASKET | 1 | |
| 8 | J38-85710-02-00 | FUEL LEVEL GAUGE ASSEMBLY. | 1 | |
| 9 | 97007-08025-00 | BOLT | 3 | |
| 10 | 92907-08100-00 | WASHER, SPRING | 3 | |
| 11 | 90201-086A3-00 | WASHER, PLATE | 4 | |
| 12 | 95617-08200-00 | NUT, SELF-LOCKING (95607-08200-00) | 2 | |
| 13 | JN6-F4410-00-00 | FUEL PUMP ASSEMBLY | 1 | |
| 14 | 95807-06016-00 | BOLT, FLANGE | 2 | |
| 15 | JR3-F4312-00-00 | PIPE 2 | 1 | |
| 16 | JR3-F4461-00-00 | PIPE, JOINT | 1 | |
| 17 | JN6-F4311-00-00 | PIPE, FUEL | 1 | |
| 18 | JN6-F4313-00-00 | PIPE, | 1 | |
| 19 | JR3-F4314-00-00 | PIPE 4 | 1 | |
| 20 | 90467-12845-00 | CLIP | 2 | |
| 21 | 90467-10846-00 | CLIP | 6 | |
| 22 | 90464-11816-00 | CLAMP | 1 | |
| 23 | 90464-12830-00 | CLAMP | 1 | |

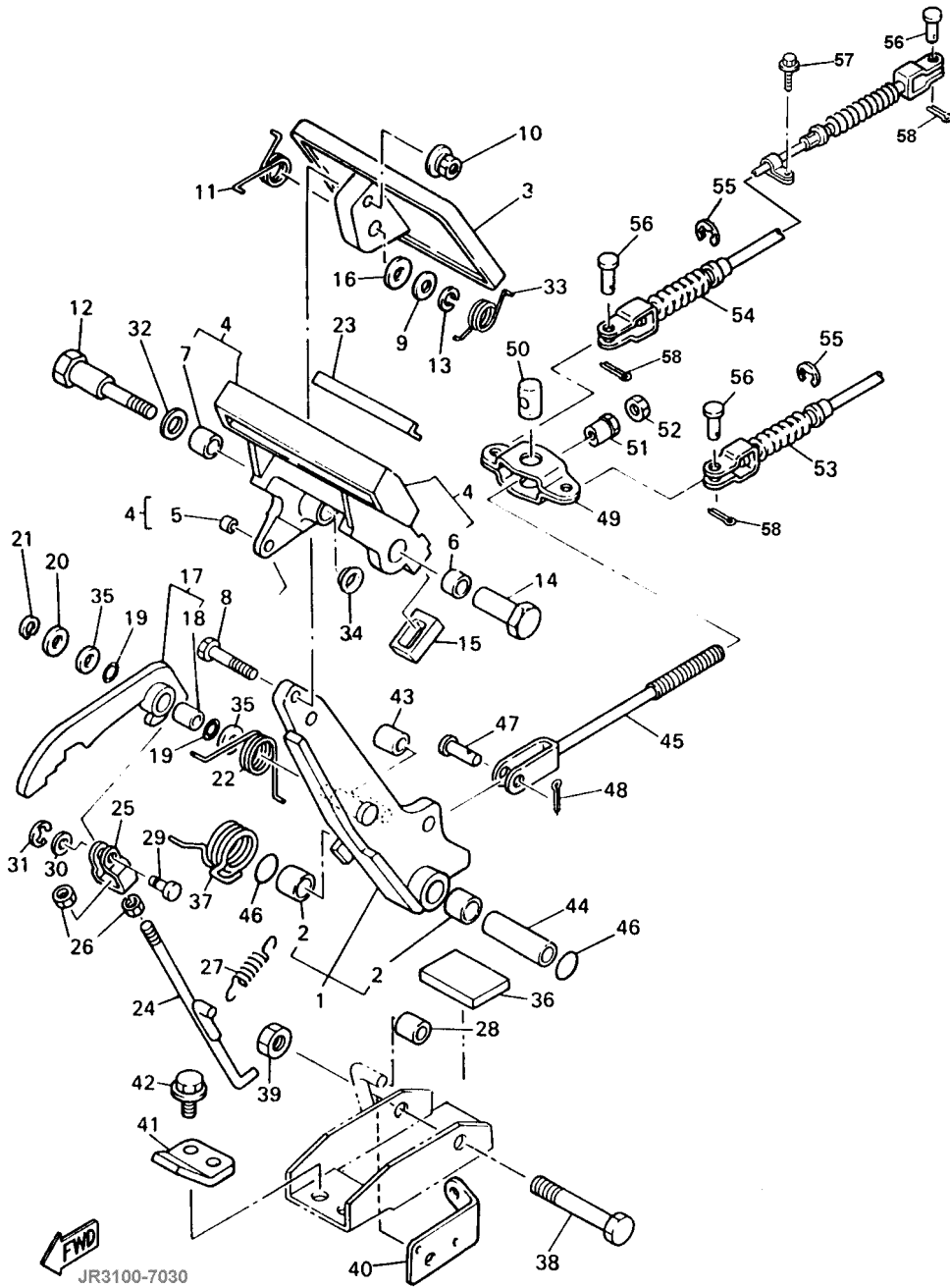
BRAKE



| Ref. No. | Part Number | Description | Qty | Remarks |
|----------|-----------------|-----------------------|-----|---------|
| 1 | J46-27250-03-00 | BRAKE ARM COMP | 1 | |
| 2 | 90384-14080-00 | . BUSH, BIMETAL | 2 | |
| 3 | J10-27211-00-00 | PEDAL, BRAKE | 1 | |
| 4 | J17-25670-01-00 | PARKING PEDAL COMP. | 1 | |
| 5 | 90384-05163-00 | . BUSH, BIMETAL | 1 | |
| 6 | 90384-12164-00 | . BUSH, BIMETAL | 1 | |
| 7 | 90380-12051-00 | . BUSH, SOLID | 1 | |
| 8 | 90101-06555-00 | BOLT, HEX. | 1 | |
| 9 | J55-27226-00-00 | WASHER, LINK | 1 | |
| 10 | 90179-07564-00 | NUT | 1 | |
| 11 | 90508-23542-00 | SPRING, TORSION | 1 | |
| 12 | 90109-08669-00 | BOLT | 1 | |
| 13 | 92907-08100-00 | WASHER, SPRING | 1 | |
| 14 | 90179-08378-00 | NUT | 1 | |
| 15 | J17-25679-01-00 | DAMPER | 2 | |
| 16 | 92907-08200-00 | WASHER | 1 | |
| 17 | J17-25666-02-00 | SECTOR, PARKING BRAKE | 1 | |
| 18 | 90384-10162-00 | . BUSH, BIMETAL | 1 | |
| 19 | J17-27221-00-00 | SEAL, SHAFT | 2 | |
| 20 | 92907-10600-00 | WASHER, PLATE | 1 | |
| 21 | 99080-07600-00 | CIRCLIP (E) | 1 | |
| 22 | 90508-14548-00 | SPRING, TORSION | 1 | |
| 23 | J17-25672-01-00 | PAD, PARKING | 1 | |
| 24 | J17-27231-03-00 | ROD, BRAKE | 1 | |
| 25 | J17-27232-00-00 | END, ROD | 1 | |
| 26 | 95317-06700-00 | NUT | 2 | |
| 27 | 90506-12277-00 | SPRING, TENSION | 1 | |
| 28 | J17-25673-00-00 | DAMPER, BRAKE | 1 | |
| 29 | J17-27228-00-00 | PIN, LINK JOINT | 1 | |

CONTINUED ON NEXT FRAME ➤

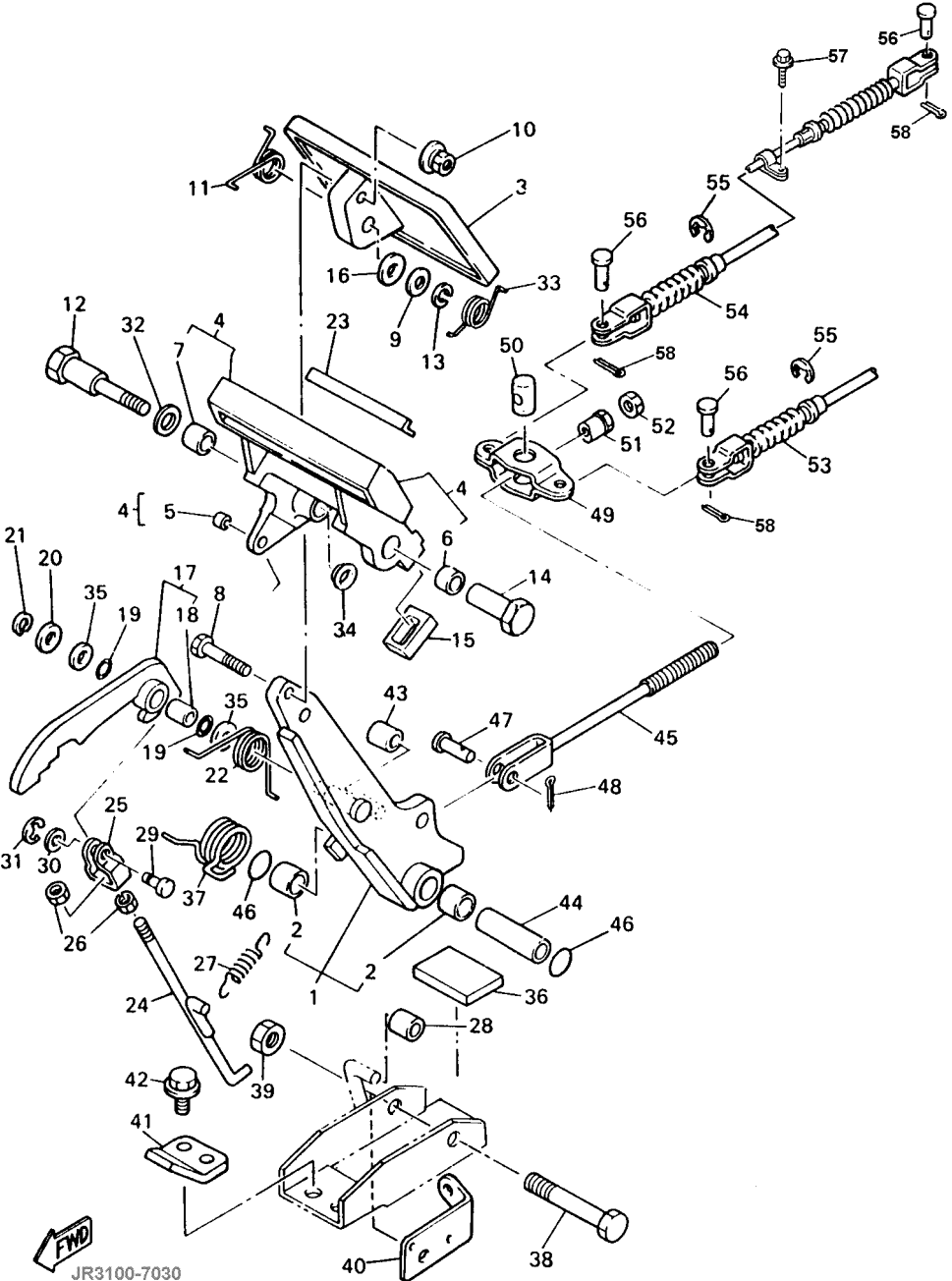
BRAKE



| Ref. No. | Part Number | Description | Qty | Remarks |
|----------|-----------------|-------------------|-----|---------|
| 30 | 92907-05600-00 | WASHER, PLATE | 1 | |
| 31 | 99080-04600-00 | CIRCLIP (E) | 1 | |
| 32 | 90201-123F2-00 | WASHER, PLAIN | 1 | |
| 33 | 90508-26557-00 | SPRING, TORSION | 1 | |
| 34 | 90380-12105-00 | BUSH, SOLID | 1 | |
| 35 | 90201-104G8-00 | WASHER, PLAIN | 2 | |
| 36 | JN3-F7245-00-00 | PAD, BRAKE PEDAL | 1 | |
| 37 | 90508-405A9-00 | SPRING, TORSION | 1 | |
| 38 | 90101-10447-00 | BOLT, HEX. | 1 | |
| 39 | 95617-10200-00 | NUT, SELF-LOCKING | 1 | |
| 40 | J55-2252M-00-00 | BRACKET, | 1 | |
| 41 | J17-27246-00-00 | NAIL, BRAKE | 1 | |
| 42 | 95807-08020-00 | BOLT, FLANGE | 2 | |
| 43 | J17-25673-00-00 | DAMPER, BRAKE | 1 | |
| 44 | 90387-107F8-00 | COLLAR | 1 | |
| 45 | J20-25685-00-00 | ROD | 1 | |
| 46 | 93210-132A8-00 | O-RING | 2 | |
| 47 | 91701-10022-00 | PIN | 1 | |
| 48 | 91490-30020-00 | PIN, COTTER | 1 | |
| 49 | J10-25681-00-00 | EQUALIZER, BRAKE | 1 | |
| 50 | 90249-14129-00 | PIN | 1 | |
| 51 | 90179-08261-00 | NUT | 1 | |
| 52 | 95317-08700-00 | NUT | 1 | |
| 53 | JJ3-F6341-00-00 | WIRE, BRAKE 1 | 1 | |
| 54 | JJ3-F6351-01-00 | WIRE, BRAKE 2 | 1 | |
| 55 | 99001-09600-00 | CIRCLIP | 4 | |
| 56 | 91701-08018-00 | PIN | 4 | |
| 57 | 95817-06016-00 | BOLT, FLANGE | 2 | |
| 58 | 91490-25020-00 | PIN, COTTER | 4 | |

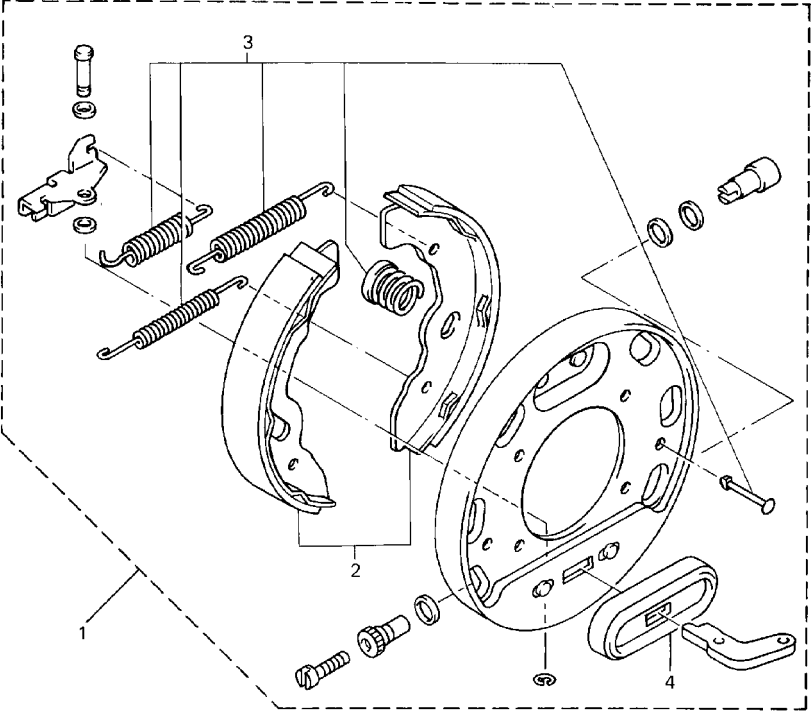
CONTINUED ON NEXT FRAME ➤

BRAKE



| Ref. No. | Part Number | Description | Qty | Remarks |
|----------|----------------|-------------|-----|---------|
| 59 | 90464-19815-00 | CLAMP | 1 | |

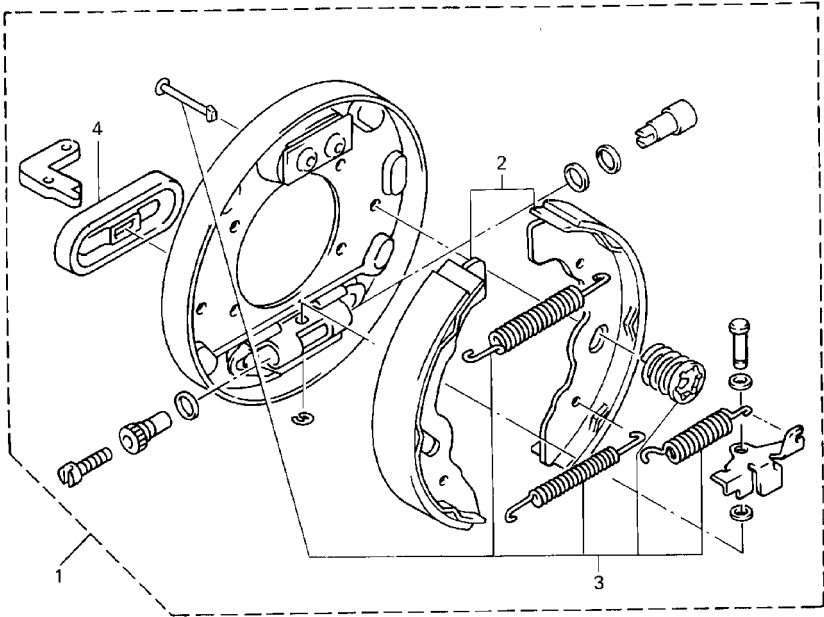
BRAKE 2



| Ref. No. | Part Number | Description | Qty | Remarks |
|----------|-----------------|---------------------|-----|---------|
| 1 | JN3-F7280-00-00 | BACKING PLATE, (RH) | 1 | |
| 2 | JN3-F5340-00-00 | . SHOE, BRAKE SET | 1 | |
| 3 | JG5-F819G-00-00 | . REPAIR PARTS KIT | 1 | |
| 4 | JG5-F7286-00-00 | . COVER, DUST | 1 | |

 JN4100-5060

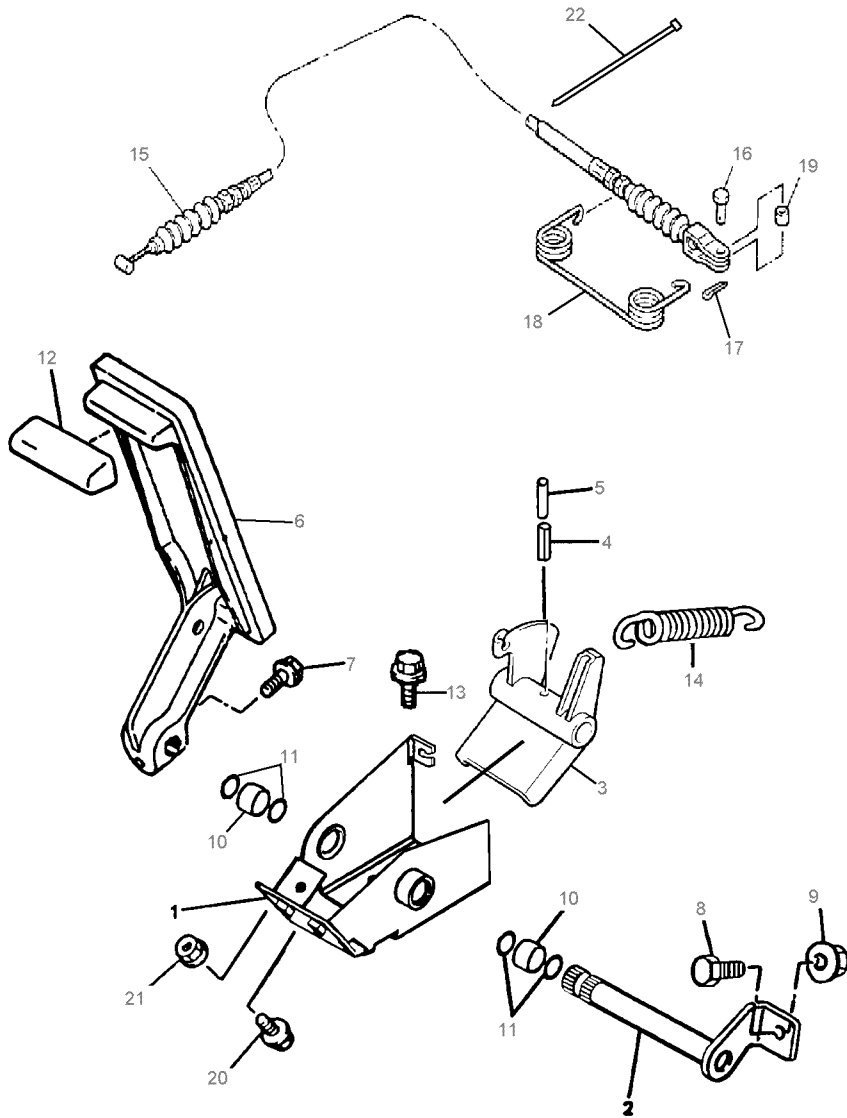
BRAKE 3



| Ref. No. | Part Number | Description | Qty | Remarks |
|----------|-----------------|---------------------|-----|---------|
| 1 | JN3-F7290-00-00 | BACKING PLATE, LEFT | 1 | |
| 2 | JN3-F5330-00-00 | . SHOE, BRAKE SET | 1 | |
| 3 | JG5-F819G-00-00 | . REPAIR PARTS KIT | 1 | |
| 4 | JG5-F7286-00-00 | . COVER, DUST | 1 | |

 JN4100-5070

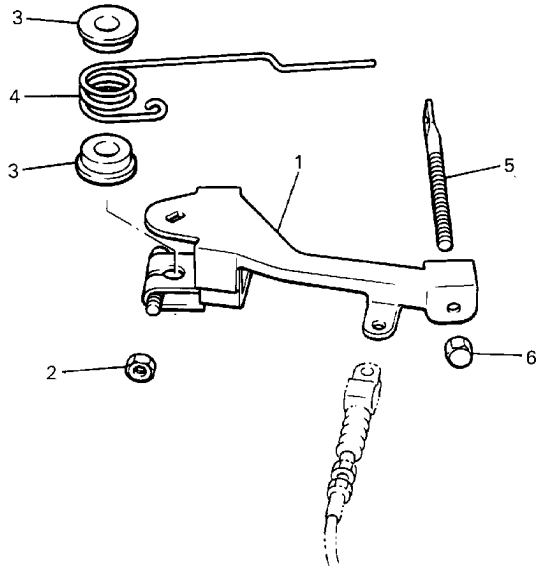
ACCELERATOR



| Ref. No. | Part Number | Description | Qty | Remarks |
|----------|-----------------|--------------------------|-----|---------|
| 1 | JN6-F7874-00-00 | BRACKET, PEDAL | 1 | |
| 2 | J17-27853-01-00 | SHAFT, PEDAL | 1 | |
| 3 | J38-27872-00-00 | ARM, ACCELERATOR | 1 | |
| 4 | 91609-60028-00 | PIN, SPRING | 1 | |
| 5 | 91609-35028-00 | PIN, SPRING | 1 | |
| 6 | JF3-27871-00-00 | PEDAL, ACCELERATOR | 1 | |
| 7 | 95817-06025-00 | BOLT, FLANGE | 1 | |
| 8 | 90106-08040-00 | BOLT, RD. HEX | 1 | |
| 9 | 95707-08500-00 | NUT, FLANGE | 1 | |
| 10 | 90384-14080-00 | BUSH, BIMETAL | 2 | |
| 11 | 93210-14104-00 | O-RING | 4 | |
| 12 | JN3-F7854-00-00 | COVER, PEDAL | 1 | |
| 13 | 95817-08016-00 | BOLT, FLANGE | 3 | |
| 14 | 90506-26282-00 | SPRING, TENSION | 1 | |
| 15 | JJ3-F6311-00-00 | WIRE, THROTTLE | 1 | |
| 16 | 91702-05012-00 | PIN | 1 | |
| 17 | 90468-10050-00 | CLIP | 1 | |
| 18 | 90508-16460-00 | SPRING, TORSION | 1 | |
| 19 | 90560-05001-00 | SPACER | 1 | |
| 20 | 95817-06025-00 | BOLT, FLANGE | 1 | |
| 21 | 95707-06500-00 | NUT, FLANGE | 1 | |
| 22 | 90464-40825-00 | CLAMP | 2 | |



JN6100-6121

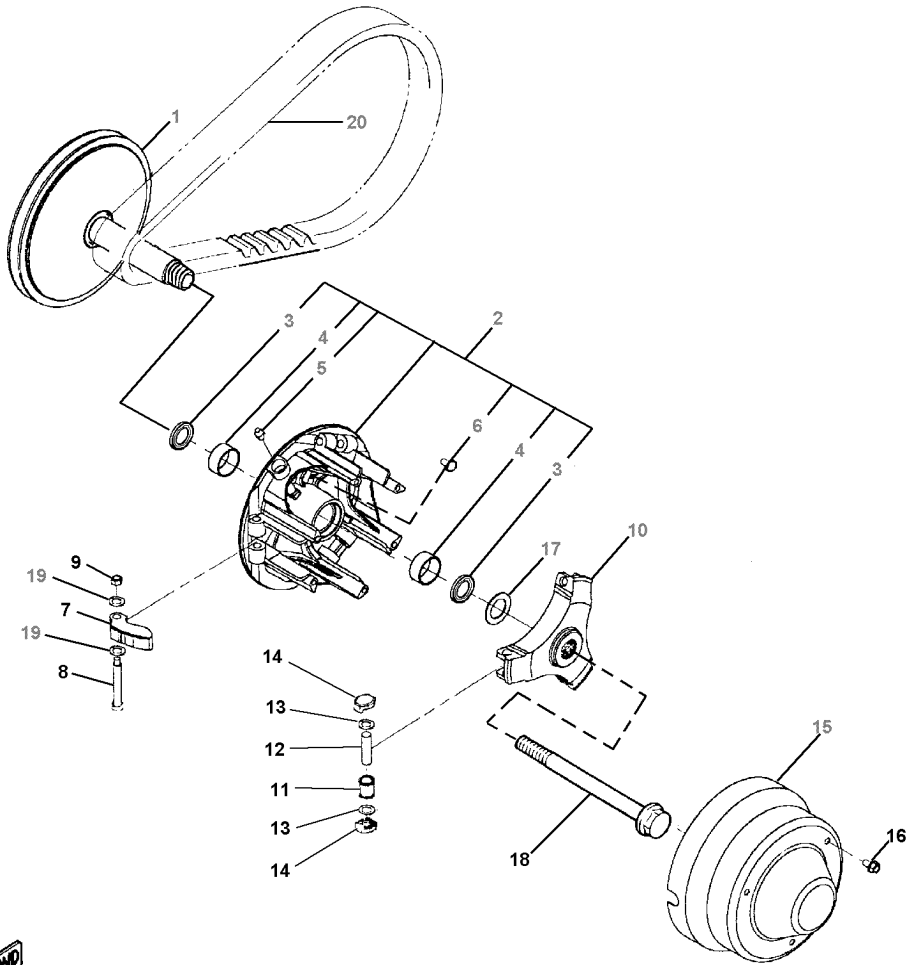


JN6100-6131

GOVERNOR

| Ref. No. | Part Number | Description | Qty | Remarks |
|----------|-----------------|----------------------------|-----|---------|
| 1 | J38-27951-00-00 | LEVER, SPEED | 1 | |
| 2 | 95317-06600-00 | NUT (95307-06600-00) | 1 | |
| 3 | 90386-08141-00 | BUSH | 2 | |
| 4 | 90508-40678-00 | SPRING, TORSION | 1 | |
| 5 | J38-27959-00-00 | SCREW, ADJUSTING | 1 | |
| 6 | 95607-06200-00 | NUT, SELF U-FLANGE | 1 | |

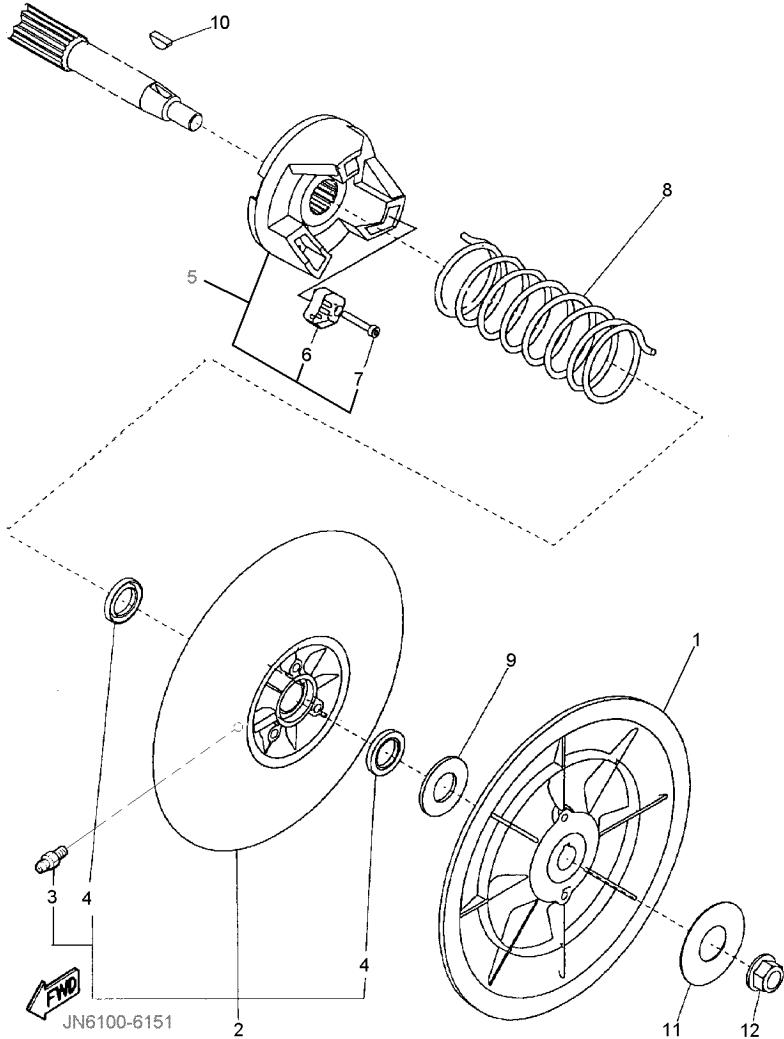
PRIMARY CLUTCH



| Ref. No. | Part Number | Description | Qty | Remarks |
|----------|-----------------|------------------------|-----|---------|
| 1 | JN6-G6210-00-00 | PRIMARY FIXED SHEAVE | 1 | |
| 2 | JN6-G6220-00-00 | PRIMARY SLIDING SHEAVE | 1 | |
| 3 | 93101-28831-00 | . SEAL, OIL | 2 | |
| 4 | 90384-27823-00 | . BUSH, BIMETAL | 2 | |
| 5 | 93700-06810-00 | . NIPPLE, GREASE | 1 | |
| 6 | 90338-04840-00 | . PLUG | 3 | |
| 7 | JN6-G6232-00-00 | WEIGHT, | 3 | |
| 8 | 90109-06860-00 | BOLT | 3 | |
| 9 | 90185-06834-00 | NUT, SELF-LOCKING | 3 | |
| 10 | JN6-G6251-00-00 | SPIDER | 1 | |
| 11 | JN6-G6258-00-00 | COLLAR, ROLLER | 3 | |
| 12 | 93610-358A3-00 | PIN, DOWEL | 3 | |
| 13 | 90201-098J1-00 | WASHER, PLAIN | 6 | |
| 14 | JN6-G6253-00-00 | SLIDER | 6 | |
| 15 | JN6-G6231-00-00 | CAP | 1 | |
| 16 | 90105-06861-00 | BOLT, FLANGE | 3 | |
| 17 | 90201-228K5-00 | WASHER, PLAIN | 1 | |
| 18 | JN6-G6249-00-00 | BOLT | 1 | |
| 19 | JN6-G621F-00-00 | SHIM, THRUST | 6 | |
| 20 | J55-G6241-00-00 | BELT | 1 | |

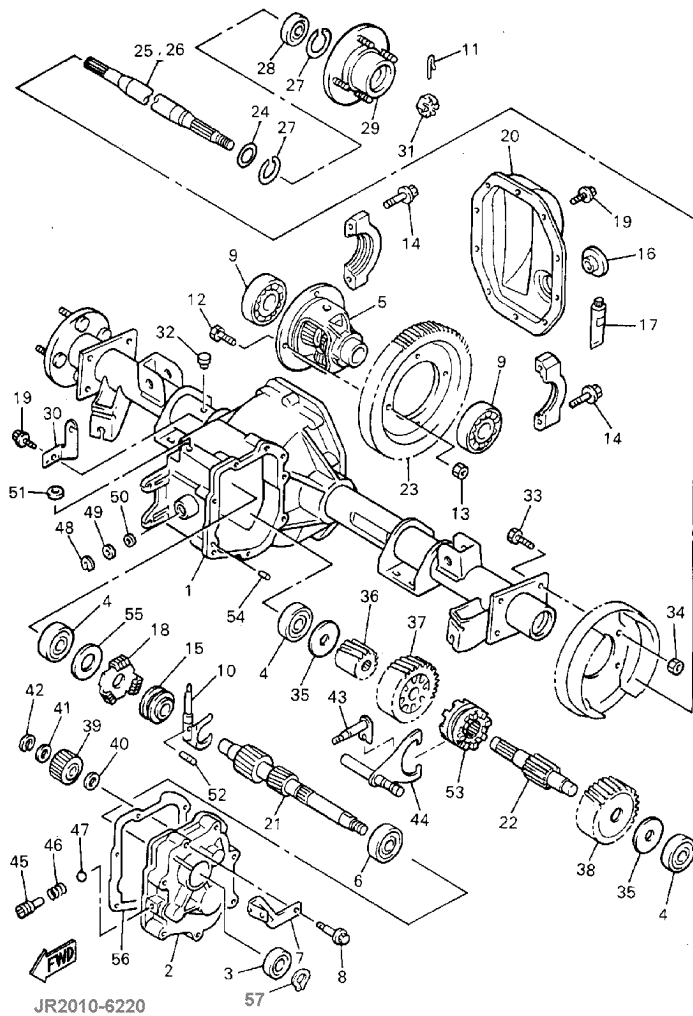
FWD JN6100-6140

SECONDARY SHEAVE



| Ref. No. | Part Number | Description | Qty | Remarks |
|----------|-----------------|--------------------------|-----|--------------|
| 1 | JN6-G6260-00-00 | SECONDARY FIXED SHEAVE | 1 | |
| 2 | JN6-G6270-00-00 | SECONDARY SLIDING SHEAVE | 1 | |
| 3 | 93700-06809-00 | . NIPPLE, GREASE | 1 | |
| 4 | 93102-20309-00 | . SEAL, OIL | 2 | |
| 5 | JN6-G6280-00-00 | SECONDARY SPRING SEAT | 1 | |
| 6 | JN6-E7688-00-00 | . SHOE, RAMP | 3 | |
| 7 | 90110-04834-00 | . BOLT, HEX. SOCKET | 3 | |
| 8 | 90508-45849-00 | SPRING, TORSION | 1 | L=135mm 1. 5 |
| 9 | 90202-20130-00 | WASHER, PLAIN | 1 | |
| 10 | 90280-05022-00 | KEY, WOODRUFF | 1 | |
| 11 | 90201-12588-00 | WASHER, PLATE | 1 | |
| 12 | 95607-12200-00 | NUT, SELF-LOCKING | 1 | |

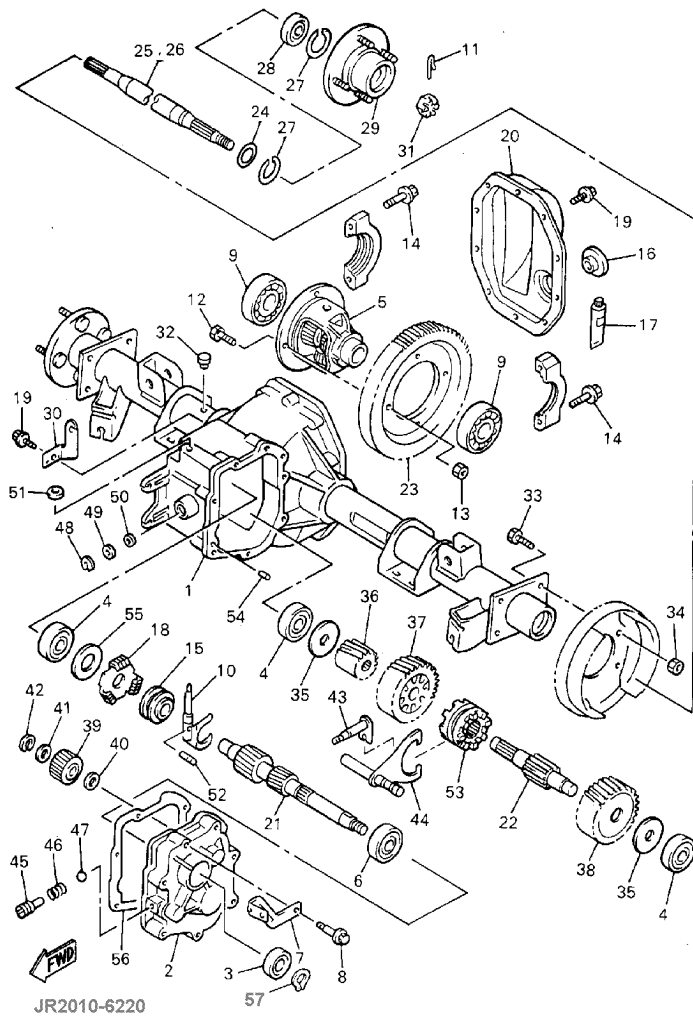
TRANSMISSION 1



| Ref. No. | Part Number | Description | Qty | Remarks |
|----------|-----------------|------------------------|-----|---------|
| 1 | JR3-G6290-00-00 | CASE ASSEMBLY | 1 | |
| 2 | JN3-G6313-00-00 | COVER, TRANSMISSION | 1 | |
| 3 | 93102-25868-00 | SEAL, OIL | 1 | |
| 4 | 93306-303Y6-00 | BEARING | 3 | |
| 5 | JN3-G6410-00-00 | DIFFERENTIAL ASSEMBLY. | 1 | |
| 6 | 93306-005Y4-00 | BEARING | 1 | |
| 7 | JN6-G6555-00-00 | BRACKET, | 1 | |
| 8 | 90105-08859-00 | BOLT, FLANGE | 7 | |
| 9 | 93306-007Y0-00 | BEARING | 2 | |
| 10 | JN3-G633E-00-00 | BAR, | 1 | |
| 11 | 90252-36801-00 | PIN, SPLIT | 2 | |
| 12 | 90101-10854-00 | BOLT, HEX. | 4 | |
| 13 | 90170-10840-00 | NUT, HEX. | 4 | |
| 14 | 90105-10840-00 | BOLT, FLANGE | 4 | |
| 15 | JN3-G6368-00-00 | COLLAR, IDLER | 1 | |
| 16 | JN3-G6432-00-00 | STOPPER | 1 | |
| 17 | ACC-QUICK-GS-KT | SEALANT | 1 | |
| 18 | JN3-G6336-00-00 | PLATE, 1 | 1 | |
| 19 | 90101-08856-00 | BOLT, HEX. | 11 | |
| 20 | JN3-G6314-00-00 | COVER, TRANSMISSION | 1 | |
| 21 | JR3-G6321-00-00 | SHAFT, INPUT | 1 | |
| 22 | JN3-G633G-00-00 | SHAFT | 1 | |
| 23 | JN3-G6355-00-00 | GEAR, PRIMARY | 1 | |
| 24 | 93101-31836-00 | SEAL, OIL | 2 | |
| 25 | JR3-G6511-00-00 | SHAFT, RR. AXLE | 1 | |
| 26 | JR3-G6512-00-00 | SHAFT, RR. AXLE | 1 | |
| 27 | 93420-52806-00 | CIRCLIP | 4 | |
| 28 | 93306-205X2-00 | BEARING | 2 | |
| 29 | JR3-G6514-00-00 | HUB, RR. AXLE | 2 | |

CONTINUED ON NEXT FRAME ►

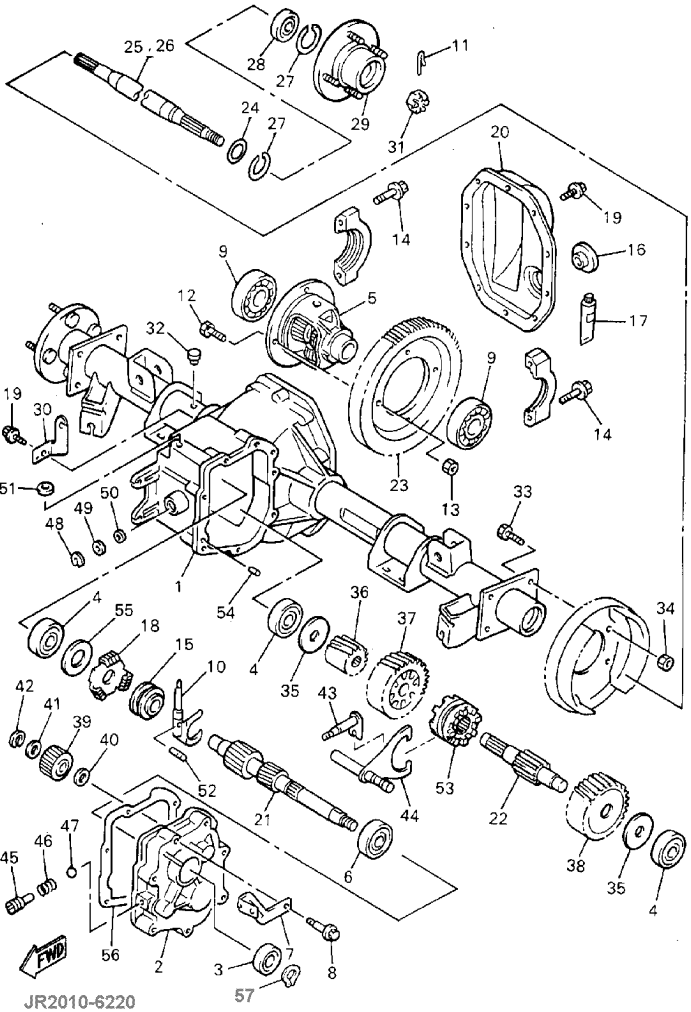
TRANSMISSION 1



| Ref. No. | Part Number | Description | Qty | Remarks |
|----------|-----------------|---------------------------|-----|--------------------|
| 30 | JN3-G6556-00-00 | BRACKET, | 1 | |
| 31 | 90185-19842-00 | NUT, SELF-LOCKING | 2 | |
| 32 | JH7-G5619-00-00 | CAP | 1 | |
| 33 | 90101-08855-00 | BOLT, HEX. | 8 | |
| 34 | 90170-08841-00 | NUT, HEX. | 8 | |
| 35 | 90201-178H8-00 | WASHER, PLAIN | 2 | |
| 36 | JN3-G6316-00-00 | GEAR, PINION | 1 | |
| 37 | JR3-G6326-00-00 | GEAR, WHEEL 1 | 1 | |
| 38 | JN3-G6327-00-00 | GEAR, WHEEL | 1 | |
| 39 | JN3-G6356-00-00 | GEAR, IDLER | 1 | |
| 40 | 90201-208H9-00 | WASHER, PLAIN | 1 | |
| 41 | 90201-208J0-00 | WASHER, PLAIN | 1 | |
| 42 | 93440-20813-00 | CIRCLIP | 1 | |
| 43 | JN3-G638A-00-00 | BAR, SHIFT | 1 | |
| 44 | JN3-G638E-00-00 | BAR, SHIFT | 1 | |
| 45 | 90113-08803-00 | BOLT, SET | 1 | |
| 46 | 90501-10852-00 | SPRING, COMPRESSION | 1 | |
| 47 | 93500-06826-00 | BALL | 1 | |
| 48 | 93410-12822-00 | CIRCLIP | 1 | |
| 49 | 90202-12807-00 | WASHER, PLAIN | 1 | |
| 50 | 93104-11829-00 | SEAL, OIL | 1 | |
| 51 | 93109-10820-00 | SEAL, OIL | 1 | |
| 52 | JN3-G6249-00-00 | BOLT | 1 | |
| 53 | JN3-G6153-00-00 | COLLAR, GUIDE | 1 | |
| 54 | 93606-10842-00 | PIN, DOWEL | 2 | |
| 55 | JN3-G6344-00-00 | SHIM | 1 | 0. 76mm (0. 030in) |
| | JN3-G6344-10-00 | SHIM | 1 | 0. 90mm (0. 035IN) |
| | JN3-G6344-20-00 | SHIM | 1 | 1. 0mm (0. 040IN) |
| | JN3-G6344-30-00 | SHIM | 1 | 1. 14mm (0. 045IN) |

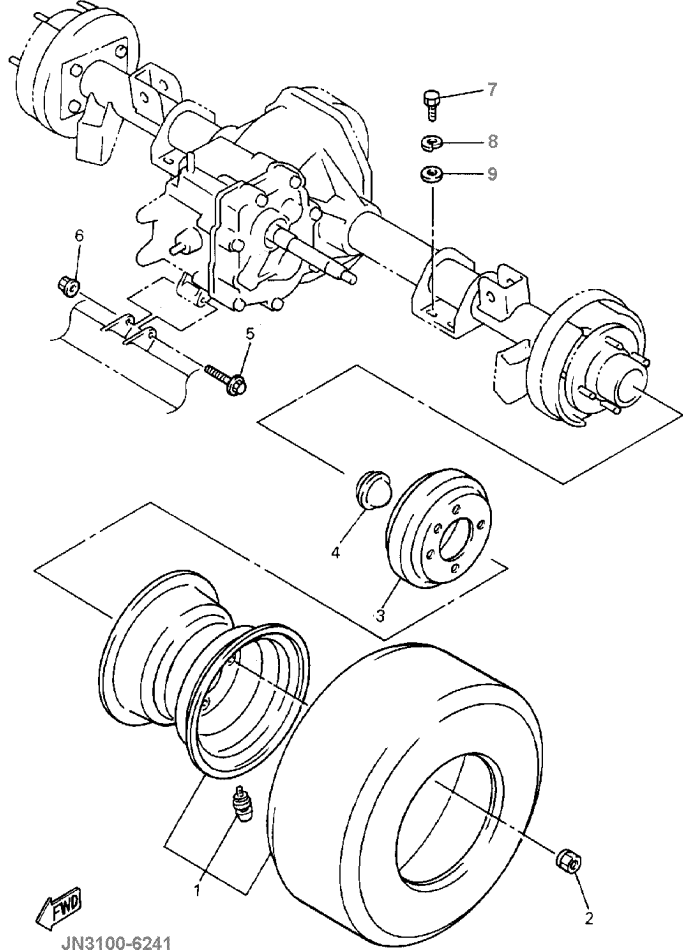
CONTINUED ON NEXT FRAME ➤

TRANSMISSION 1



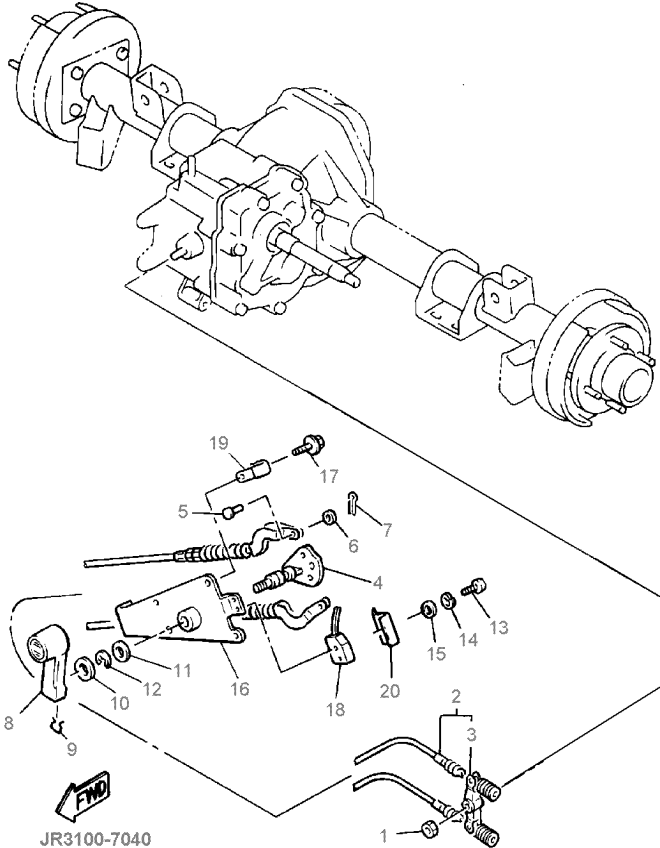
| Ref. No. | Part Number | Description | Qty | Remarks |
|----------|-----------------|-------------|-----|--------------------|
| 55 | JN3-G6344-40-00 | SHIM | 1 | 1. 27mm (0. 050IN) |
| | JN3-G6344-50-00 | SHIM | 1 | 1. 39mm (0. 055IN) |
| | JN3-G6344-60-00 | SHIM | 1 | 1. 52mm (0. 060IN) |
| | JN3-G6344-70-00 | SHIM | 1 | 1. 65mm (0. 065IN) |
| | JN3-G6344-80-00 | SHIM | 1 | 0. 38mm (0. 015IN) |
| | JN3-G6344-90-00 | SHIM | 1 | 1. 78mm (0. 070IN) |
| | JN3-G6344-A0-00 | SHIM | 1 | 1. 92mm (0. 075IN) |
| | JN3-G6344-B0-00 | SHIM | 1 | 2. 03mm (0. 080IN) |
| | JN3-G6344-C0-00 | SHIM | 1 | 2. 12mm (0. 085) |
| | JN3-G6344-D0-00 | SHIM | 1 | 2. 29mm (0. 090IN) |
| 56 | JN3-G6319-00-00 | GASKET | 1 | |
| 57 | 93410-25017-00 | CIRCLIP | 1 | |

REAR AXLE MOUNT WHEEL



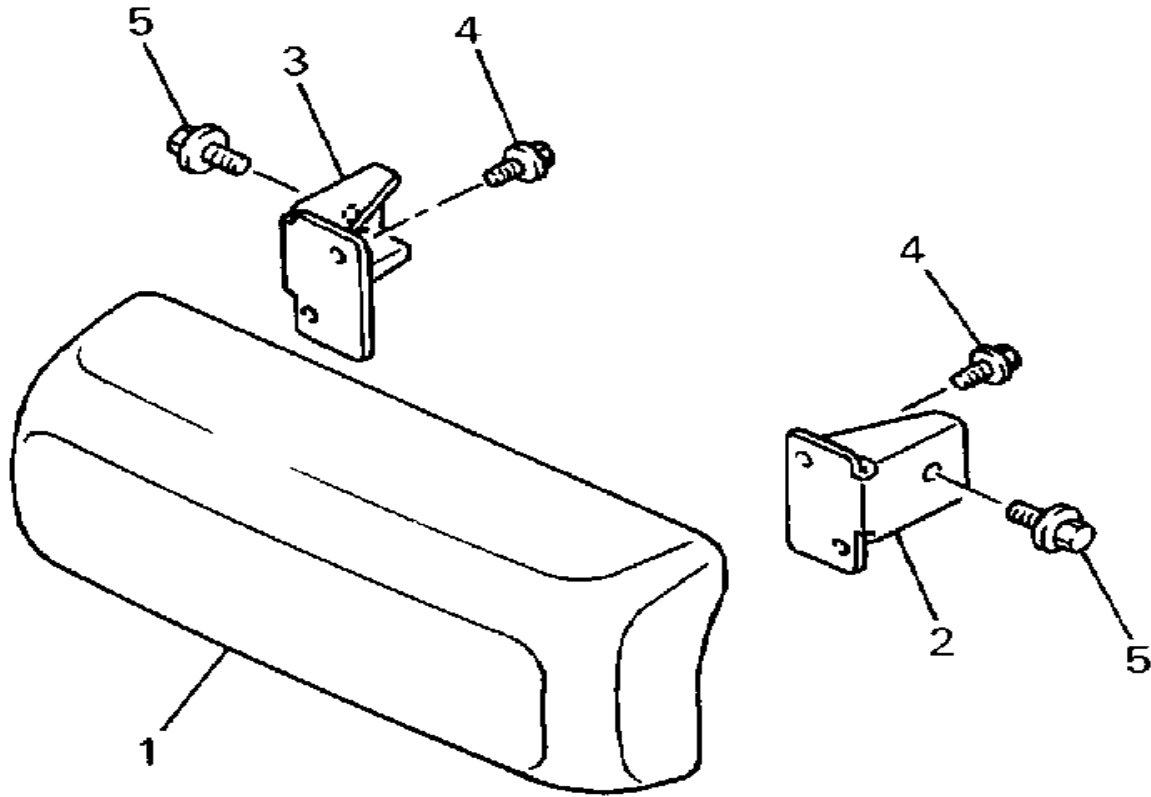
| Ref. No. | Part Number | Description | Qty | Remarks |
|----------|-----------------|-----------------------|-----|---------|
| 2 | 90179-12262-00 | NUT | 8 | |
| 3 | J55-G6521-00-00 | DRUM | 2 | |
| 4 | J17-25118-00-00 | COVER, HUB DUST | 2 | |
| 5 | 95817-08075-00 | BOLT, FLANGE | 1 | |
| 6 | 95707-08500-00 | NUT, FLANGE | 1 | |
| 7 | 97017-10020-00 | BOLT | 8 | |
| 8 | 92907-10100-00 | WASHER, SPRING | 8 | |
| 9 | 90201-102G9-00 | WASHER, PLATE | 8 | |

SHIFTER CABLES



| Ref. No. | Part Number | Description | Qty | Remarks |
|----------|-----------------|-----------------------|-----|---------|
| 1 | 95617-08100-00 | NUT, U | 1 | |
| 2 | JN3-G8330-00-00 | CABLE, SHIFT | 2 | |
| 3 | J55-G6383-00-00 | . LEVER, SHIFT | 1 | |
| 4 | JF2-46382-00-00 | LEVER, SHIFT | 1 | |
| 5 | 91702-06014-00 | PIN | 2 | |
| 6 | 92907-06600-00 | WASHER, PLATE | 2 | |
| 7 | 91490-20015-00 | PIN, COTTER | 2 | |
| 8 | JN3-G6381-00-00 | KNOB, SHIFT | 1 | |
| 9 | JN3-G6376-00-00 | SPRING SET | 1 | |
| 10 | 90201-201L9-00 | WASHER, PLAIN | 1 | |
| 11 | 90201-19551-00 | WASHER, PLAIN | 1 | |
| 12 | 99009-19400-00 | CIRCLIP | 1 | |
| 13 | 98507-04016-00 | SCREW, PAN HEAD | 2 | |
| 14 | 92907-04100-00 | WASHER, SPRING | 2 | |
| 15 | 92907-04600-00 | WASHER | 2 | |
| 16 | JN3-G6372-00-00 | BRACKET, SHIFT | 1 | |
| 17 | 95817-06016-00 | BOLT, FLANGE | 4 | |
| 18 | JN3-82617-01-00 | SWITCH | 1 | |
| 19 | 90465-06038-00 | CLAMP | 1 | |
| 20 | JJ3-G6394-00-00 | JOINT | 1 | |

BUMPER

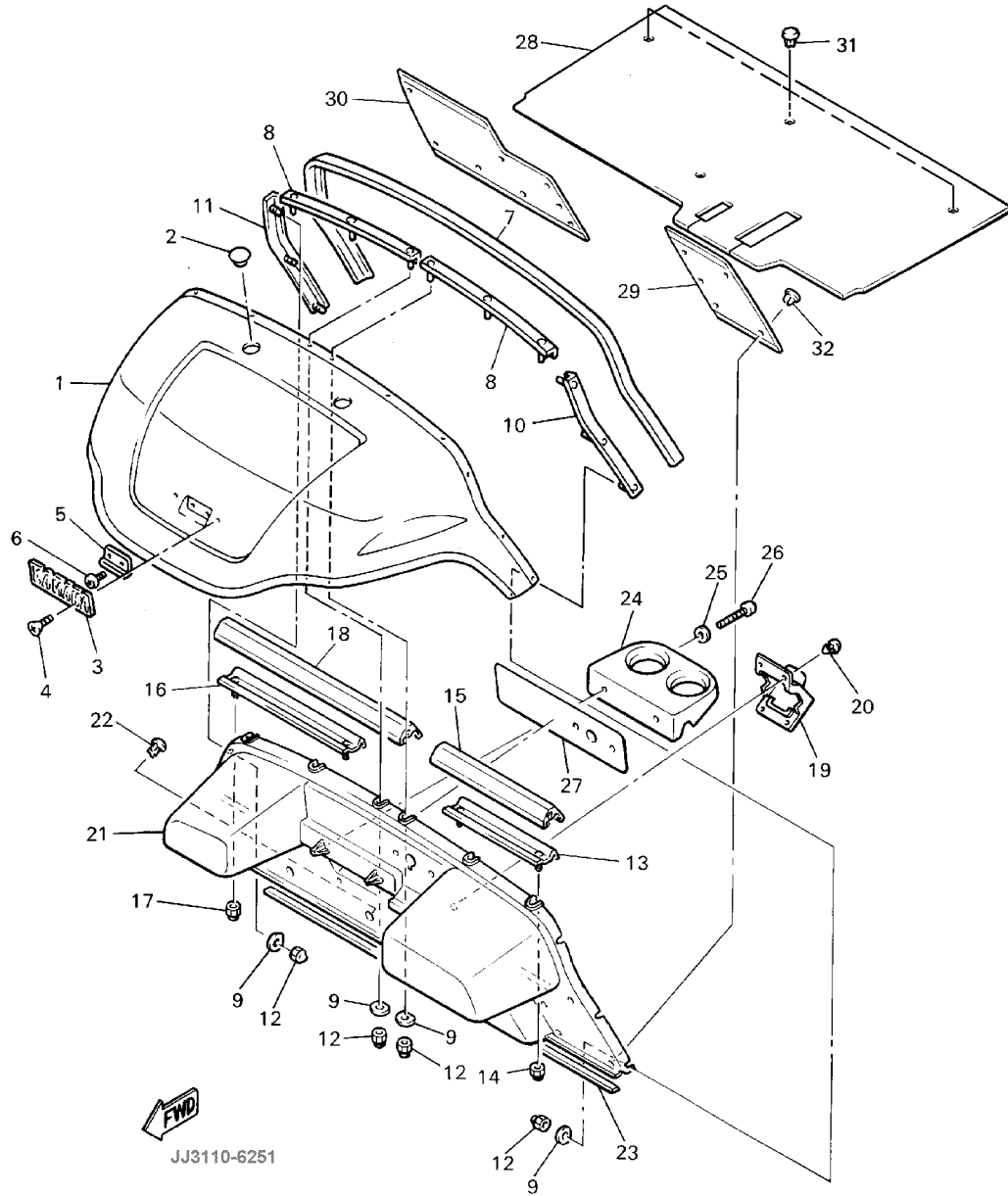


| Ref. No. | Part Number | Description | Qty | Remarks |
|----------|-----------------|-------------------------|-----|---------|
| 1 | JN3-K7510-00-00 | FRONT BUMPER COMP. | 1 | |
| 2 | JN3-K8164-00-00 | STAY, FR. BUMPER | 1 | |
| 3 | JN3-K8165-00-00 | STAY, FR. BUMPER | 1 | |
| 4 | 95817-06016-00 | BOLT, FLANGE | 4 | |
| 5 | 95817-08016-00 | BOLT, FLANGE | 2 | |



JR3100-7050

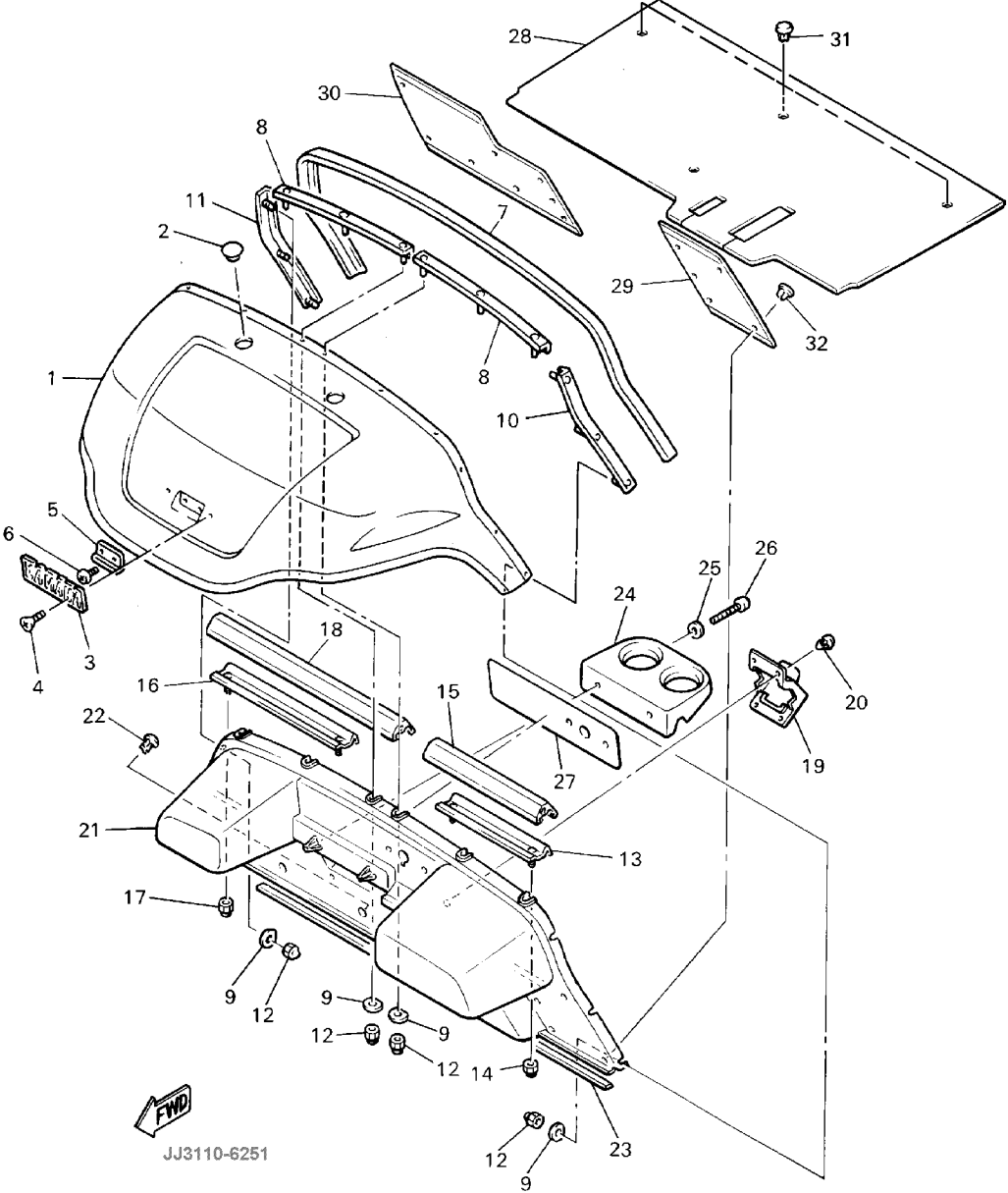
BODY



| Ref. No. | Part Number | Description | Qty | Remarks |
|----------|-----------------|---------------------------|-----|---------|
| 1 | JN3-K8115-20-00 | COWL, FRONT | 1 | GRAY |
| 2 | JN3-K818E-00-00 | CAP, PROTECTOR | 2 | |
| 3 | JN6-F4161-00-00 | EMBLEM, | 1 | |
| 4 | 90162-04002-00 | SCREW, OVAL C | 2 | |
| 5 | JF2-K811G-00-00 | BOLT, COWL FITTING | 1 | |
| 6 | 98980-06016-00 | SCREW, BINDING | 2 | |
| 7 | JF2-K811V-00-00 | PROTECTOR, | 1 | |
| 8 | JF2-K8261-00-00 | PLATE, BODY PROTECTOR .. | 2 | |
| 9 | JN3-K8117-00-00 | PLATE, | 12 | |
| 10 | JF2-K8262-00-00 | PLATE, BODY PROTECTOR .. | 1 | |
| 11 | JF2-K8263-00-00 | PLATE, BODY PROTECTOR .. | 1 | |
| 12 | 90185-06836-00 | NUT, SELF LOCKING | 12 | |
| 13 | JF2-K8264-00-00 | PLATE, BODY PROTECTOR .. | 1 | |
| 14 | 95607-06200-00 | NUT, SELF U-FLANGE | 2 | |
| 15 | JF2-K811W-00-00 | PROTECTOR 2 | 1 | |
| 16 | JF2-K8265-00-00 | PLATE, BODY PROTECTOR 5 . | 1 | |
| 17 | 95607-06200-00 | NUT, SELF U-FLANGE | 2 | |
| 18 | JF2-K811X-00-00 | PROTECTOR 3 | 1 | |
| 19 | JF2-78273-00-00 | COVER, HOLE | 1 | |
| 20 | 90269-11042-00 | RIVET | 4 | |
| 21 | JF2-K8114-02-00 | PANEL, FRONT | 1 | |
| 22 | 90269-08069-00 | RIVET | 3 | |
| 23 | JN3-K815G-00-00 | SEAL, FRONT STORAGE | 1 | |
| 24 | JF2-K835E-00-00 | HOLDER, BEVERAGE | 1 | |
| 25 | 90201-060A3-00 | WASHER, PLATE | 2 | |
| 26 | 97707-60130-00 | SCREW, PAN HEAD | 2 | |
| 27 | JJ3-K7761-00-00 | LABEL, WARNING 8 | 1 | |
| 28 | JN6-K8233-00-00 | MAT, MAIN FLOOR 3 | 1 | |
| 29 | JN6-K8231-00-00 | MAT, MAIN FLOOR | 1 | |

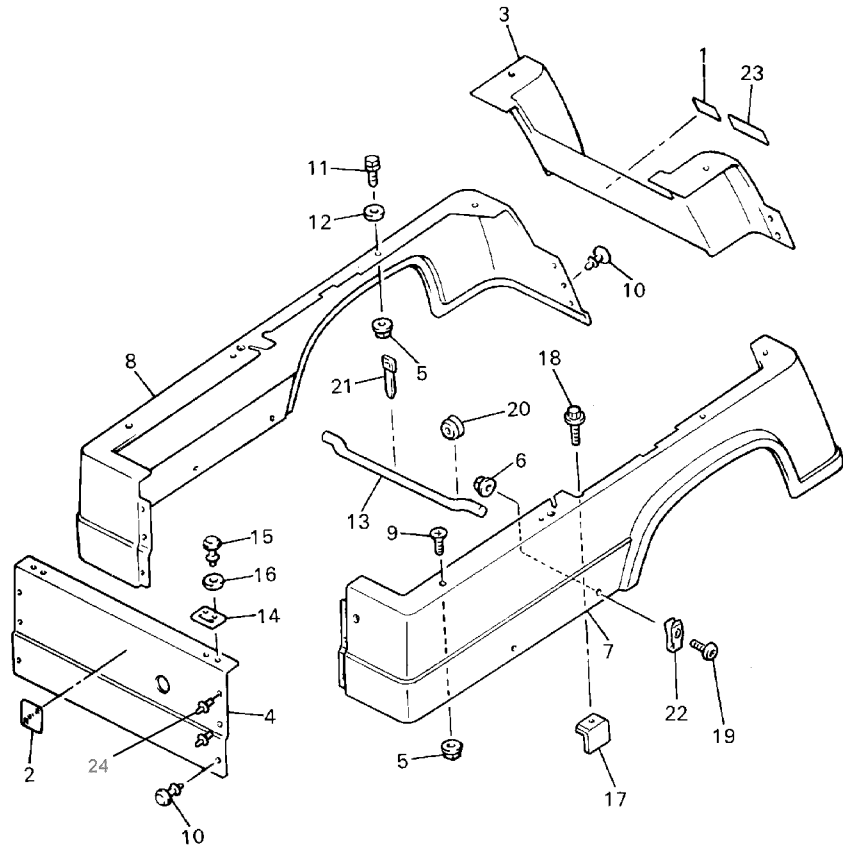
CONTINUED ON NEXT FRAME ➤

BODY



| Ref. No. | Part Number | Description | Qty | Remarks |
|----------|-----------------|-----------------------|-----|---------|
| 30 | JN6-K8232-00-00 | MAT, MAIN FLOOR | 1 | |
| 31 | 90269-08813-00 | RIVET | 4 | |
| 32 | 90267-63047-00 | RIVET, BLIND | 9 | |

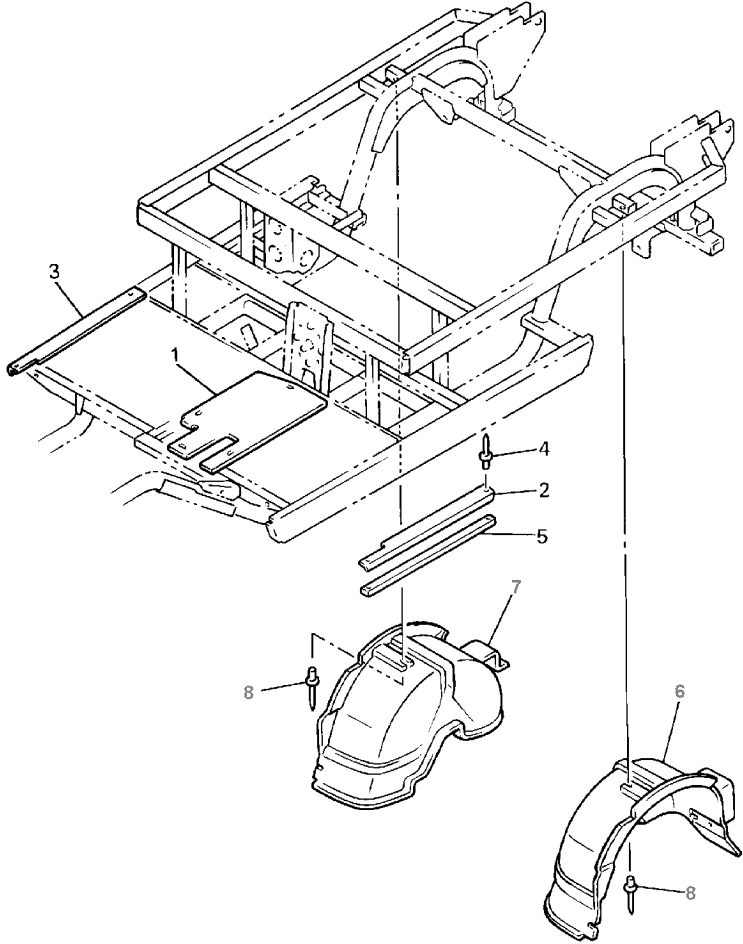
BODY 2



JJ3110-6260

| Ref. No. | Part Number | Description | Qty | Remarks |
|----------|-----------------|---------------------------|-----|---------|
| 1 | JJ3-K7765-00-00 | LABEL, WARNING 5 | 1 | |
| 2 | JN3-K7741-00-00 | INDICATOR, | 1 | |
| 3 | JJ3-K8142-11-00 | PANEL, REAR BODY | 1 | |
| 4 | JJ3-K8141-10-00 | PANEL, INTERMEDIATE BODY | 1 | |
| 5 | 90183-06810-00 | NUT, SPRING | 10 | |
| 6 | 90183-06811-00 | NUT, SPRING | 4 | |
| 7 | JJ3-K8111-12-00 | PANEL, BODY SHELL | 1 | |
| 8 | JJ3-K8112-12-00 | PANEL, BODY SHELL | 1 | |
| 9 | 90151-06040-00 | SCREW, COUNTERSUNK | 2 | |
| 10 | 90267-62841-00 | RIVET, BLIND | 6 | |
| 11 | 90119-06915-00 | BOLT, WITH WASHER | 8 | |
| 12 | 90201-065F3-00 | WASHER, PLATE | 8 | |
| 13 | JJ3-K8226-00-00 | ROD, SEAT STOPPER | 1 | |
| 14 | JJ3-K8427-01-00 | HINGE, SEAT 2 | 2 | |
| 15 | 90267-64834-00 | RIVET, BLIND | 4 | |
| 16 | 90201-08681-00 | WASHER, PLATE | 4 | |
| 17 | JJ3-K814H-00-00 | HOOK, BODY LOCK | 2 | |
| 18 | 90119-08903-00 | BOLT, WITH WASHER | 2 | |
| 19 | 90110-06200-00 | BOLT, HEXAGON SOCKET HEAD | 4 | |
| 20 | 90480-13018-00 | GROMMET | 1 | |
| 21 | 90464-10814-00 | CLAMP | 1 | |
| 22 | JJ3-K8167-01-00 | BUMPER, RUBBER 1 | 2 | |
| 23 | JJ3-K7768-00-00 | LABEL, WARNING | 1 | |
| 24 | 90267-36853-00 | RIVET, BLIND | 4 | |

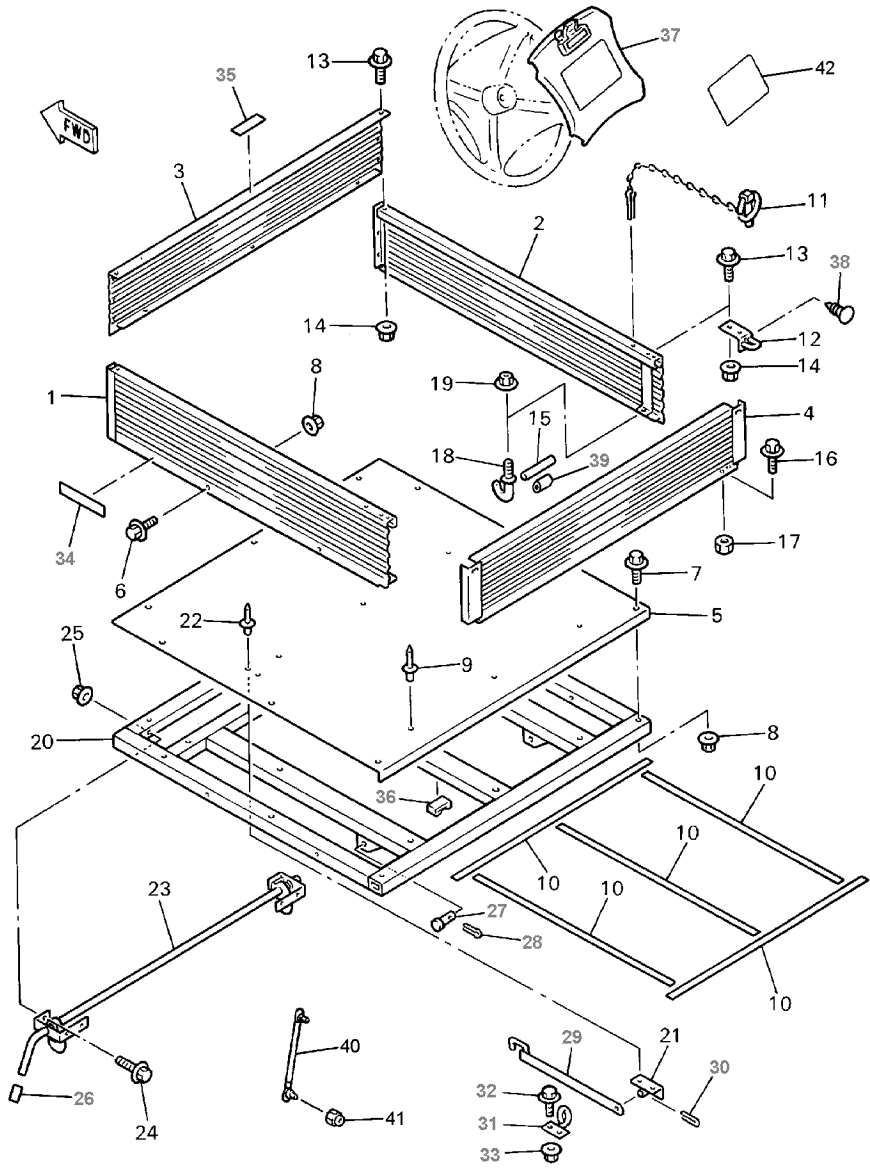
BODY FITTING



| Ref. No. | Part Number | Description | Qty | Remarks |
|----------|-----------------|----------------------------|-----|---------|
| 1 | JN6-K8271-00-00 | SERVICE LID | 1 | |
| 2 | JF2-K8215-10-00 | PLATE, SIDE TRIM | 1 | |
| 3 | JF2-K821F-10-00 | PLATE, SIDE TRIM | 1 | |
| 4 | 90267-48154-00 | RIVET, BLIND | 4 | |
| 5 | JJ3-K8124-00-00 | REINFORCEMENT 4 | 2 | |
| 6 | JJ3-K8191-00-00 | PANEL, REAR FENDER 1 | 1 | |
| 7 | JJ3-K8192-00-00 | PANEL, REAR FENDER 2 | 1 | |
| 8 | 90267-48101-00 | RIVET, BLIND | 6 | |

 JR3100-7060

CARRIER

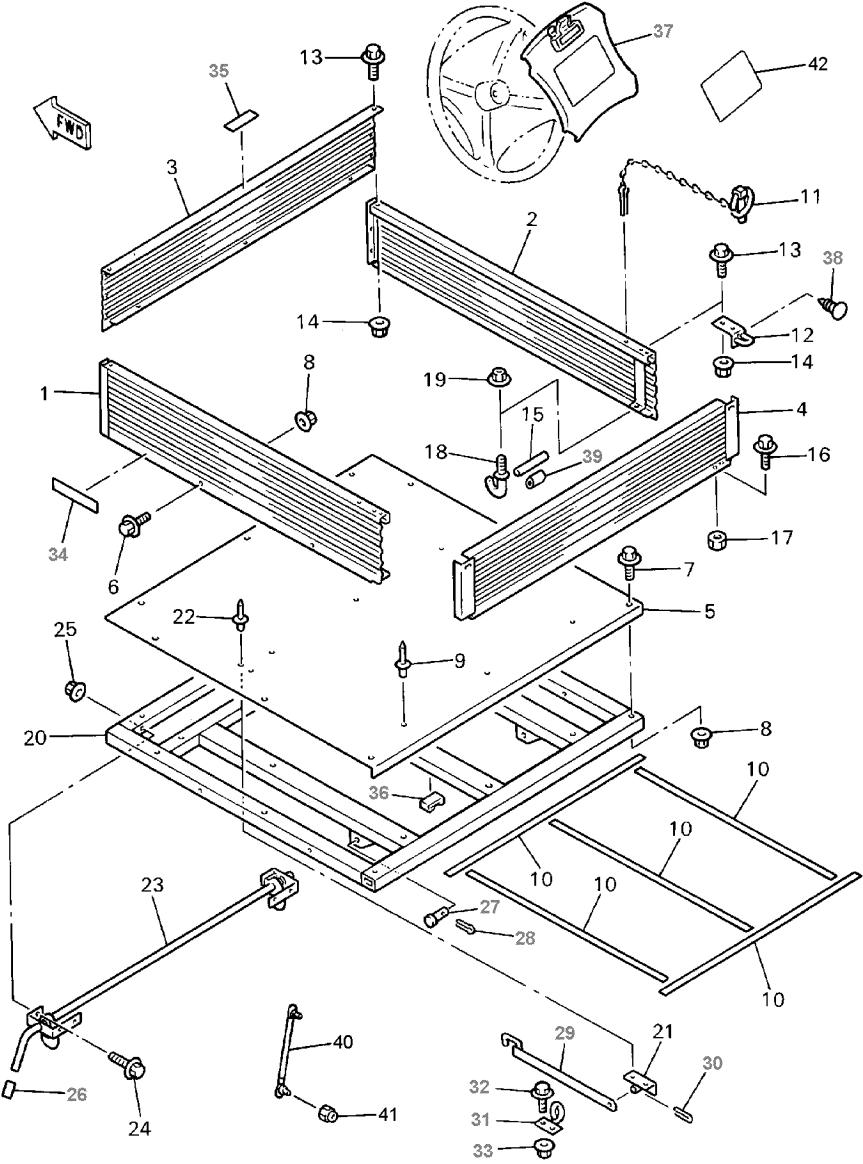


JJ3110-6282

| Ref. No. | Part Number | Description | Qty | Remarks |
|----------|-----------------|------------------------------------|-----|---------|
| 1 | JJ3-K810F-00-00 | SIDE PANEL COMP. (L. H.) | 1 | |
| 2 | JJ3-K810G-00-00 | SIDE PANEL COMP. (R. H.) | 1 | |
| 3 | JJ3-K7782-00-00 | PANEL, DASH 2 | 1 | |
| 4 | JJ3-K810N-00-00 | REAR STORAGE LID COMP. | 1 | |
| 5 | JJ3-K8117-00-00 | PLATE 1 | 1 | |
| 6 | 90119-08038-00 | BOLT, WITH WASHER | 19 | |
| 7 | 90119-08925-00 | BOLT, WITH WASHER | 2 | |
| 8 | 95617-08200-00 | NUT, SELF-LOCKING (95607-08200-00) | 21 | |
| 9 | 90267-64844-00 | RIVET, BLIND | 6 | |
| 10 | JJ3-K821A-00-00 | PAD, BODY MOUNTING 1 | 5 | |
| 11 | JJ3-K8156-00-00 | STOPPER, LOCK | 2 | |
| 12 | JJ3-K8317-00-00 | RING, HOOK | 2 | |
| 13 | 90119-06908-00 | BOLT, WITH WASHER | 6 | |
| 14 | 95607-06200-00 | NUT, SELF U-FLANGE | 6 | |
| 15 | JJ3-K8384-00-00 | BOLT | 2 | |
| 16 | 97017-06020-00 | BOLT | 4 | |
| 17 | 95380-06700-00 | NUT | 4 | |
| 18 | JJ3-K8385-00-00 | BOLT 2 | 2 | |
| 19 | 95617-08200-00 | NUT, SELF-LOCKING (95607-08200-00) | 2 | |
| 20 | JJ3-K818N-00-00 | BED, BOX | 1 | |
| 21 | JJ3-K8376-00-00 | SUPPORT 2 | 1 | |
| 22 | 90267-64844-00 | RIVET, BLIND | 2 | |
| 23 | JJ3-K8380-02-00 | LOCK ASSEMBLY | 1 | |
| 24 | 95807-08020-00 | BOLT, FLANGE | 6 | |
| 25 | 95617-08200-00 | NUT, SELF-LOCKING (95607-08200-00) | 6 | |
| 26 | JJ3-K818M-00-00 | CAP, PROTECTOR END 4 | 1 | |
| 27 | 90240-13808-00 | PIN, CLEVIS | 2 | |

CONTINUED ON NEXT FRAME ►

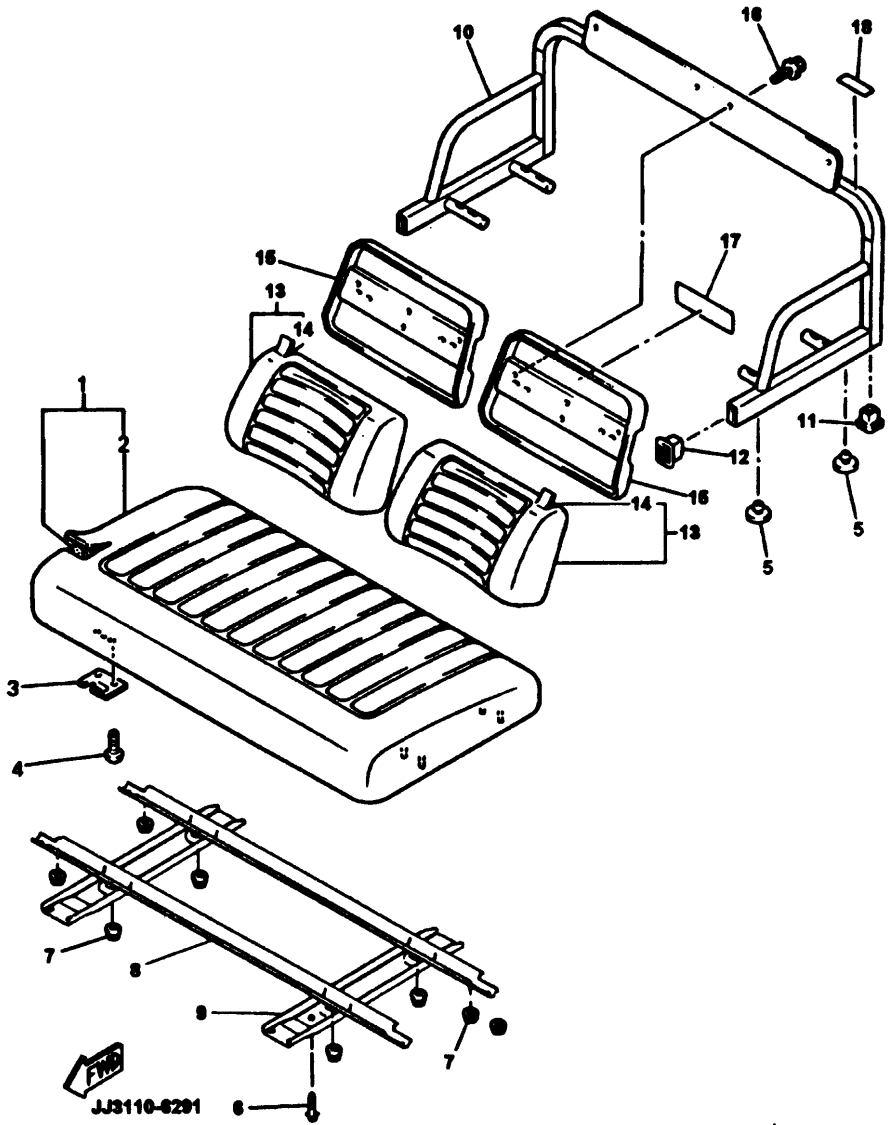
CARRIER



JJ3110-6282

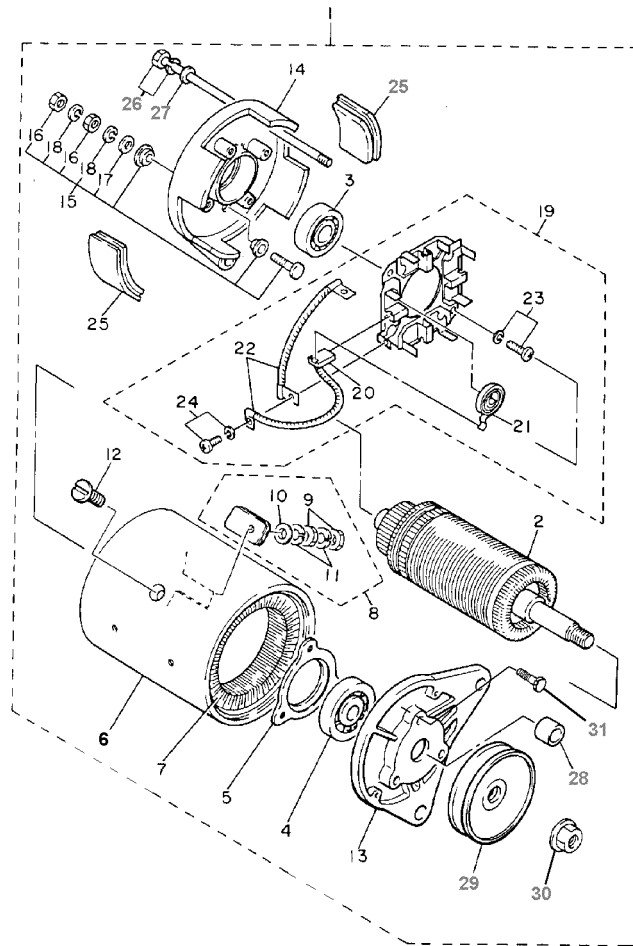
| Ref. No. | Part Number | Description | Qty | Remarks |
|----------|-----------------|---------------------------------------|-----|---------|
| 28 | 91490-30030-00 | PIN, COTTER | 2 | |
| 29 | JJ3-K8158-01-00 | ROD, INSPECTION LID | 1 | |
| 30 | 91490-20025-00 | PIN, SPLIT | 1 | |
| 31 | JJ3-K8369-00-00 | PIN, LEVER | 1 | |
| 32 | 90119-06908-00 | BOLT, WITH WASHER | 2 | |
| 33 | 95607-06200-00 | NUT, SELF U-FLANGE | 2 | |
| 34 | JJ3-K7764-01-00 | LABEL, WARNING 4 | 1 | |
| 35 | JJ3-K7766-01-00 | LABEL, WARNING 6 | 1 | |
| 36 | JJ3-K815H-00-00 | DAMPER, LOCK | 1 | |
| 37 | JN3-K8370-00-00 | HOLDER ASSEMBLY | 1 | |
| 38 | 90338-05830-00 | PLUG | 4 | |
| 39 | JR3-K8316-00-00 | DAMPER | 2 | |
| 40 | JJ3-K7588-00-00 | DAMPER 1 | 1 | |
| 41 | 95617-08200-00 | NUT, SELF-LOCKING (95607-08200-00) | 2 | |
| 42 | JN3-K7762-01-00 | LABEL, WARNING | 1 | |

SEAT



| Ref. No. | Part Number | Description | Qty | Remarks |
|----------|-----------------|----------------------------|-----|---------|
| 1 | JN6-K8401-00-00 | CUSHION SEAT | 1 | |
| 2 | JN6-K8404-09-00 | . COVER, SEAT | 1 | |
| 3 | JN3-K8426-00-00 | HINGE, SEAT MALE | 2 | |
| 4 | 97580-05412-00 | BOLT, HEX | 4 | |
| 5 | JJ3-K8433-00-00 | DAMPER, SEAT SUPPORT ... | 4 | |
| 6 | 90167-04815-00 | SCREW, P/H TAPPING | 4 | |
| 7 | 90185-08839-00 | NUT, SELF LOCKING | 12 | |
| 8 | JN6-K8121-00-00 | REINFORCEMENT | 2 | |
| 9 | JN6-K8122-00-00 | REINFORCEMENT | 2 | |
| 10 | JJ3-K8420-20-00 | SEAT ASSEMBLY 2 | 1 | |
| 11 | JJ3-K818E-00-00 | CAP, PROTECTOR END 1 | 2 | |
| 12 | JJ3-K8139-00-00 | CAP, END | 2 | |
| 13 | JR3-K8402-00-00 | SEAT SUB ASSEMBLY, BACK | 2 | |
| 14 | JJ3-K841G-09-00 | . COVER, SEAT BACK 2 | 2 | |
| 15 | JJ3-K8413-00-00 | COVER, SEAT BACK | 2 | |
| 16 | 90119-06915-00 | BOLT, WITH WASHER | 4 | |
| 17 | JJ3-K7762-00-00 | LABEL, WARNING 2 | 1 | |
| 18 | JJ3-K7763-00-00 | LABEL, WARNING 3 | 2 | |

STARTER GENERATOR



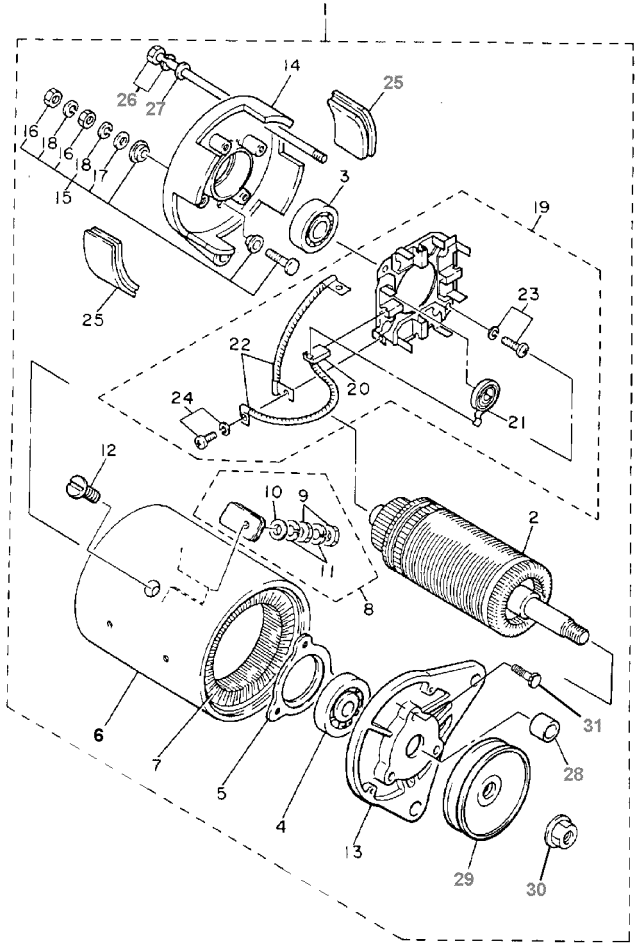
| Ref. No. | Part Number | Description | Qty | Remarks |
|----------|-----------------|------------------------------|-----|----------------------|
| 1 | JN6-H1100-00-00 | STARTER GENERATOR | 1 | |
| 2 | JN3-H1150-00-00 | . ARMATURE ASSEMBLY | 1 | |
| 3 | J10-81157-10-00 | . BEARING 1 (6202 SD) | 1 | |
| 4 | J10-81158-10-00 | . BEARING 2 (6203 SD) | 1 | |
| 5 | J10-81159-10-00 | . HOLDER, BEARING | 1 | |
| 6 | JN6-H1110-10-00 | . STATOR ASSEMBLY | 1 | |
| 7 | JN6-H1160-10-00 | . FIELD COIL ASSEMBLY | 1 | |
| 8 | J10-81148-10-00 | . SCREW | 2 | |
| 9 | 95380-06600-00 | . NUT | 4 | |
| 10 | 92990-06600-00 | . WASHER, PLATE | 2 | |
| 11 | 92995-06100-00 | . WASHER, SPRING | 4 | |
| 12 | J10-81146-10-00 | . SCREW | 4 | |
| 13 | J38-81165-10-00 | . BRACKET, STARTER GENERATOR | 1 | |
| 14 | J10-81166-10-00 | . BRACKET, STARTER GENERATOR | | STARTER GENERATOR 21 |
| 15 | J10-81147-10-00 | . SCREW | 2 | |
| 16 | 95380-06600-00 | . NUT | 4 | |
| 17 | 92990-06600-00 | . WASHER, PLATE | 2 | |
| 18 | 92995-06100-00 | . WASHER, SPRING | 4 | |
| 19 | JF2-81119-00-00 | . BRUSH HOLDER ASSEMBLY | 1 | |
| 20 | JF2-81111-00-00 | . BRUSH | 4 | |
| 21 | J38-81113-10-00 | . SPRING, BRUSH | 4 | |
| 22 | J10-81115-10-00 | . WIRE, LEAD | 2 | |
| 23 | 98507-05016-00 | . SCREW, PAN HEAD | 2 | |
| 24 | 98580-04010-00 | . SCREW, PAN HEAD | 4 | |
| 25 | J10-81129-10-00 | . COVER, BRUSH | 4 | |
| 26 | J10-81145-10-00 | . SCREW | 2 | |
| 27 | 92990-06600-00 | . WASHER, PLATE | 2 | |



JN6100-6231

CONTINUED ON NEXT FRAME ►

STARTER GENERATOR

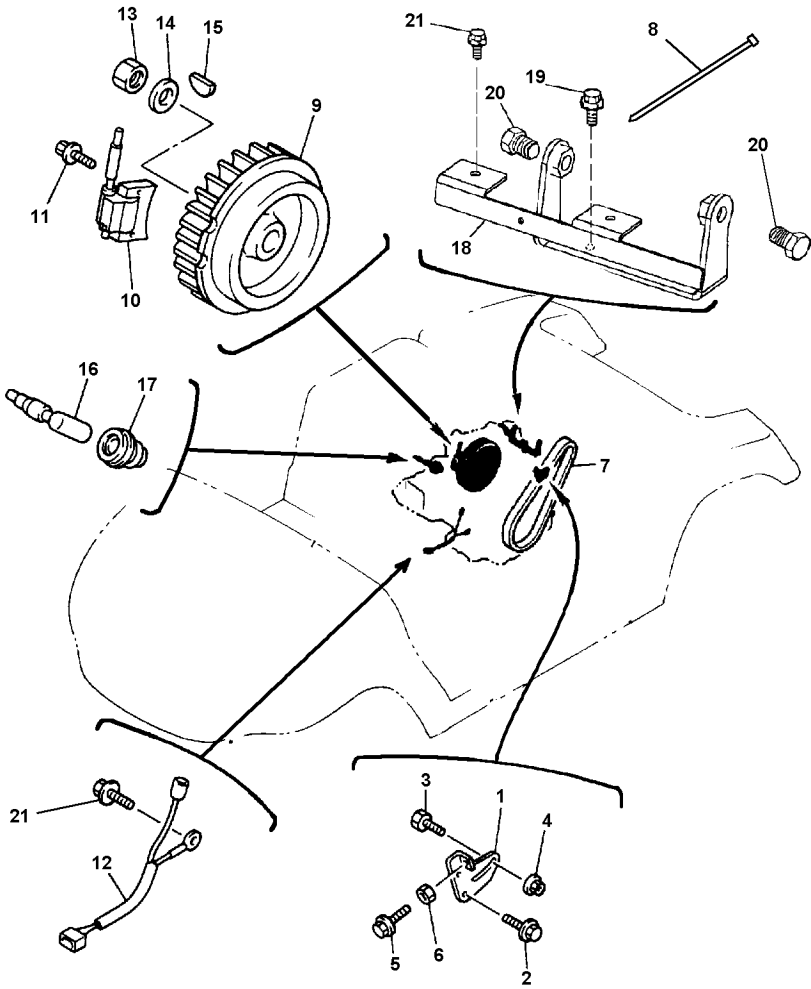


| Ref. No. | Part Number | Description | Qty | Remarks |
|----------|-----------------|-------------------------|-----|---------|
| 28 | JN3-H1661-00-00 | . SPACER | 1 | |
| 29 | JN3-H1161-00-00 | . PULLEY | 2 | |
| 30 | 90179-16889-00 | . NUT, FLANGE | 1 | |
| 31 | 98507-05018-00 | . SCREW, PAN HEAD | 3 | |



JN6100-6231

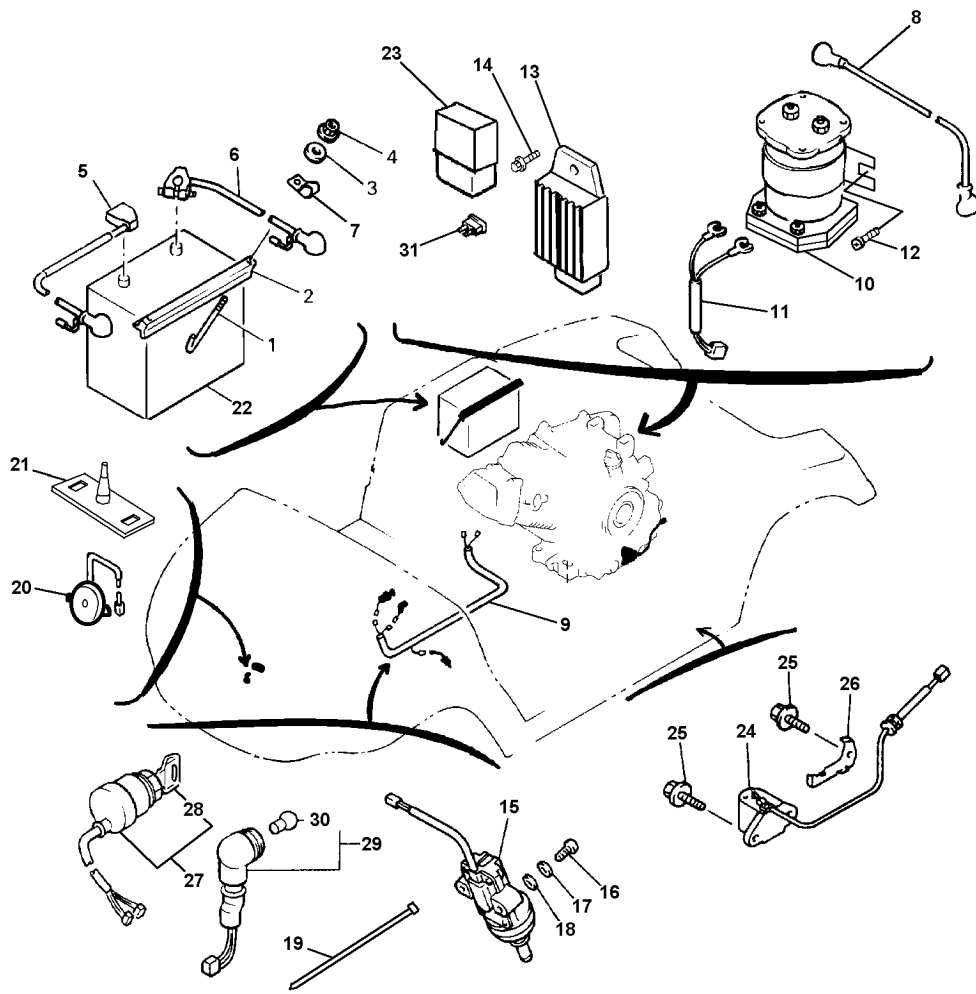
ELECTRICAL 1



| Ref. No. | Part Number | Description | Qty | Remarks |
|----------|-----------------|-----------------------------------|-----|---------|
| 1 | JN2-81170-00-00 | TENSIONER ASSEMBLY | 1 | |
| 2 | 95827-08020-00 | BOLT, FLANGE | 2 | |
| 3 | 90109-087A5-00 | BOLT | 1 | |
| 4 | 95707-08500-00 | NUT, FLANGE | 1 | |
| 5 | 90101-06478-00 | BOLT, HEX. | 1 | |
| 6 | 95317-06600-00 | NUT (95307-06600-00) | 1 | |
| 7 | JN6-H1173-00-00 | BELT | 1 | |
| 8 | 90464-09823-00 | CLAMP | 1 | |
| | JN6-85650-00-00 | ROTOR ASSEMBLY. | 1 | |
| 10 | JN6-85640-00-00 | T.C.I. UNIT | 1 | |
| 11 | 95827-06025-00 | BOLT, FLANGE | 2 | |
| 12 | JN6-82318-00-00 | WIRE, SUB-LEAD | 1 | |
| 13 | 95307-18600-00 | NUT, HEX. | 1 | |
| 14 | 90201-18620-00 | WASHER, PLAIN | 1 | |
| 15 | 90280-04052-00 | KEY, WOODRUFF | 1 | |
| 16 | 8K1-82370-20-00 | PLUG CAP ASSEMBLY (WITH RESISTOR) | 1 | |
| 17 | JE8-82372-00-00 | SEAL, PLUG CAP | 1 | |
| 18 | JN6-H1171-00-00 | BRACKET, STARTER GENERATOR | 1 | |
| 19 | 95827-08020-00 | BOLT, FLANGE | 2 | |
| 20 | 95827-12025-00 | BOLT, FLANGE | 2 | |
| 21 | 95807-06016-00 | BOLT, FLANGE | 3 | |

 JR3100-7100

ELECTRICAL 2



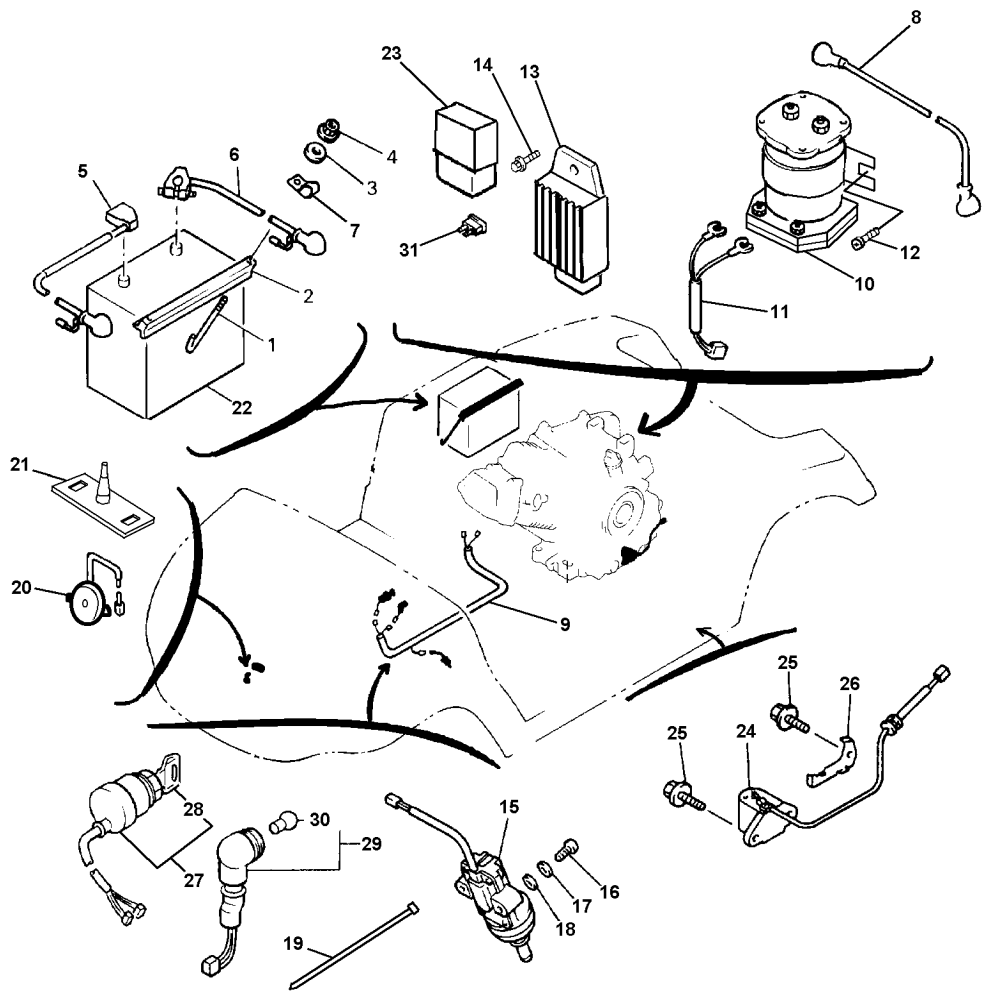
 JR3100-7080

| Ref. No. | Part Number | Description | Qty | Remarks |
|----------|-----------------|-----------------------------------|-----|-----------|
| 1 | JN3-H2133-00-00 | SCREW, FITTING | 2 | |
| 2 | J55-H2136-00-00 | PLATE, BATTERY | 1 | |
| 3 | 92907-06200-00 | WASHER | 2 | |
| 4 | 95707-06500-00 | NUT, FLANGE | 2 | |
| 5 | JR3-H2115-00-00 | WIRE, PLUS LEAD | 1 | |
| 6 | JR3-H2116-00-00 | WIRE, MINUS LEAD | 1 | |
| 7 | 90461-08031-00 | CLAMP | 2 | |
| 8 | JR3-H2117-00-00 | WIRE, LEAD | 1 | |
| 9 | JR3-H2590-00-00 | WIRE HARNESS | 1 | WITH FUSE |
| 10 | JR3-H1950-00-00 | RELAY ASSEMBLY. | 1 | |
| 11 | JN6-H2105-00-00 | HARNESS, WIRE | 1 | |
| 12 | 90163-06005-00 | SCREW, HEX. T | 2 | |
| 13 | JF2-81910-01-00 | VOLTAGE REGULATOR | 1 | |
| 14 | 95817-06016-00 | BOLT, FLANGE | 1 | |
| 15 | JF7-82817-20-00 | SWITCH, ACCELERATOR STOP | 1 | |
| 16 | 98507-05025-00 | SCREW, PAN HEAD | 2 | |
| 17 | 92907-05100-00 | WASHER, SPRING | 2 | |
| 18 | 92907-05600-00 | WASHER, PLATE | 2 | |
| 19 | 90464-31827-00 | CLAMP | 6 | |
| 20 | JR1-H3383-00-00 | BUZZER | 1 | |
| 21 | JN6-H3386-00-00 | STAY, BUZZER | 1 | |
| 23 | 4U8-81950-02-00 | RELAY ASSEMBLY. (4U8-81950-00) | 1 | |
| 24 | JN6-85720-10-00 | OIL LEVEL GAUGE | 1 | |
| 25 | 95817-06012-00 | BOLT, FLANGE | 4 | |
| 26 | JN6-85724-00-00 | CLAMP, OIL LEVEL | 1 | |
| 27 | JN8-82510-00-00 | MAIN SWITCH | 1 | |
| 28 | J44-82511-00-00 | . KEY, MAIN SWITCH | 1 | |
| 29 | JN6-83530-00-00 | PILOT LAMP A | 1 | |

CONTINUED ON NEXT FRAME ►

ELECTRICAL 2

| Ref. No. | Part Number | Description | Qty | Remarks |
|----------|-----------------|---------------------|-----|---------|
| 30 | 123-83516-21-XX | . BULB, (12V-3. 4W) | 1 | |
| 31 | 42X-82151-00-00 | FUSE (10A-BL) | 1 | |



 JR3100-7080