



A Textron Company

Service Parts Manual

ELECTRIC POWERED VEHICLE



634464

ISSUED AUGUST 2013

REVISED SEPTEMBER 2013

SERVICE PARTS MANUAL

48V ELECTRIC POWERED GOLF CARS

TXT FLEET

TXT FREEDOM

TXT SHUTTLE 2+2

STARTING MODEL YEAR 2014

DISCLAIMER: The E-Z-GO Division of Textron Inc. (E-Z-GO) reserves the right to incorporate engineering and design changes to products in this Manual, without obligation to include these changes on units leased/sold previously.

The information contained in this Manual may be revised periodically E-Z-GO, and therefore is subject to change without notice.

E-Z-GO DISCLAIMS LIABILITY FOR ERRORS IN THIS MANUAL, and E-Z-GO SPECIFICALLY DISCLAIMS LIABILITY FOR INCIDENTAL AND CONSEQUENTIAL DAMAGES RESULTING FROM THE USE OF THE INFORMATION AND MATERIALS IN THIS MANUAL.

TO CONTACT US

NORTH AMERICA:

TECHNICAL ASSISTANCE & WARRANTY PHONE: 1-800-774-3946, FAX: 1-800-448-8124

SERVICE PARTS PHONE: 1-888-GET-EZGO (1-888-438-3946), FAX: 1-800-752-6175

INTERNATIONAL: PHONE: 001-706-798-4311, FAX: 001-706-771-4609

E-Z-GO DIVISION OF TEXTRON INC., 1451 MARVIN GRIFFIN RD., AUGUSTA, GEORGIA USA 30906-3852

GENERAL INFORMATION

To obtain a copy of the limited warranty applicable to the vehicle, call or write a local Distributor, authorized Branch or the Warranty Department with vehicle serial number and manufacturer code.

The use of non Original Equipment Manufacturer (OEM) parts may void the warranty.

Overfilling of batteries may void the warranty.

BATTERY PROLONGED STORAGE

All batteries will self discharge over time. The rate of self discharge varies depending on the ambient temperature and the age and condition of the batteries.

A fully charged battery will not freeze in winter temperatures unless the temperature falls below -75°F (-60°C).

As with all electric vehicles, the batteries must be checked and recharged as required or at a minimum of 30 day intervals.

BATTERY DISPOSAL

Lead-acid batteries are recyclable. Return whole scrap batteries to distributor, manufacturer or lead smelter for recycling. For neutralized spills, place residue in acid-resistant containers with absorbent material, sand or earth and dispose of in accordance with local, state and federal regulations for acid and lead compounds. Contact local and/or state environmental officials regarding disposal information.

TABLE OF CONTENTS

SECTION	Page No.
HOW TO USE THE SERVICE PARTS MANUAL	v
ACCELERATOR	A
BATTERY CHARGER	B
BODY	C
BODY - FRONT	C - 1
BODY - MID SECTION	C - 5
BODY - REAR	C - 7
BODY - ACCESSORIES	C - 11
BRAKES	D
ELECTRICAL	E
ELECTRONIC SPEED CONTROL	F
FRONT SUSPENSION AND STEERING	G
MOTOR	H
REAR AXLE	J
REAR SUSPENSION	K
SEATING	L
SEATING - CONVERTIBLE CARRIER	L - 1
SEATING AND BAG HOLDER - GOLF CAR	L - 9
TOW BAR	M
PERMANENT	M - 1
CASUAL	M - 5
WEATHER PROTECTION	N
WHEELS AND TIRES	P

NOTES

A large grid of graph paper for taking notes, consisting of 20 columns and 30 rows of small squares.

HOW TO USE THE SERVICE PARTS MANUAL

This manual is divided into several sections:

- GENERAL INFORMATION
- ILLUSTRATED PARTS BREAKDOWN
- APPENDIX

The first section, GENERAL INFORMATION, contains the following information:

- WARRANTY INFORMATION
- GENERAL INDEX
- HOW TO USE THE SERVICE PARTS MANUAL

The second section, ILLUSTRATED PARTS BREAKDOWN, contains illustrations and parts lists for all systems of your vehicle.

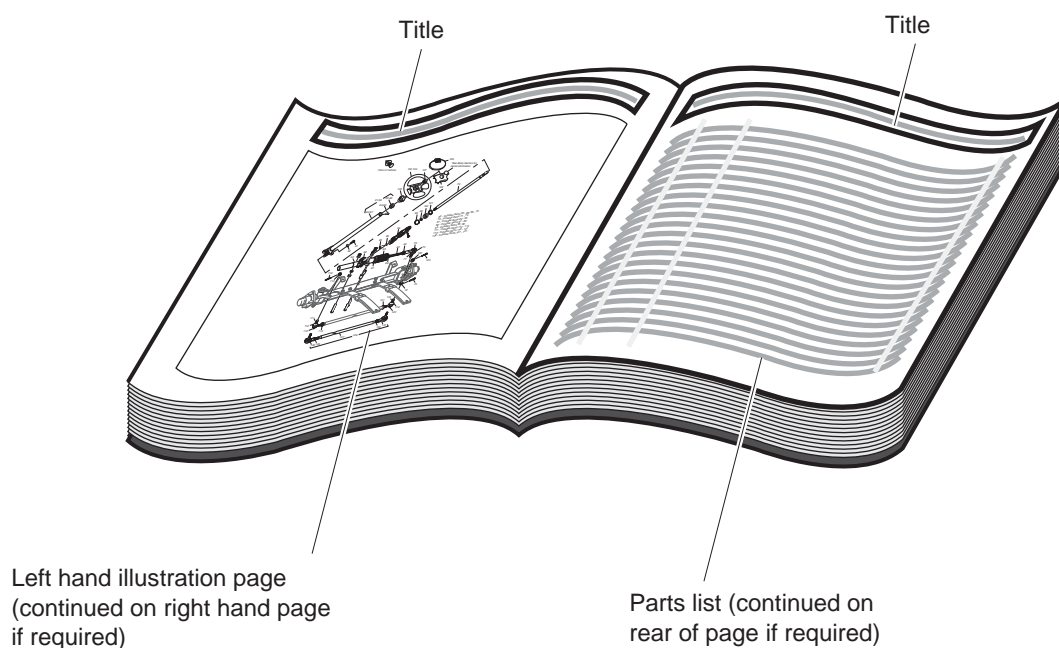
The third section, APPENDIX, contains a listing of specialty products and accessories.

USE OF THE MANUAL

To use this manual, consult the GENERAL INDEX to locate the information or illustration required.

Introduction of some revisions varies due to supply of components; therefore, it is possible that various combinations of components may be found that are not directly reflected by each illustration. Consult the illustration that best suits your situation and then contact the Service Parts Department. It is important that the serial number of your vehicle and its model number be supplied to Service Parts when ordering any replacement components.

Locate the serial number plate (see BODY located in the Illustrated Parts Breakdown section of this manual for its location) and note the complete number shown on the plate.



HOW TO USE THE SERVICE PARTS MANUAL

1. WHEN THE PART NUMBER IS NOT KNOWN

- Determine the function and application of the part required. Turn to the General Index and select the most appropriate title.
- Turn to the page number indicated and locate the desired part on the illustration.
- From the illustration, obtain the item number assigned to the desired part. Refer to the accompanying description for specific information regarding the part.

2. IF YOU KNOW THE PART NUMBER

- Locate the part number or description in the appropriate column on the parts list page.

NOTE: It is suggested that you confirm that the part selected is correct by verifying it with the pictorial representation on the illustrated page.

Should an asterisk (*) appear in the part number column on the parts list page, read upwards until a part number is found. The part number is the lowest assembly sold by Service Parts and the asterisk (*) indicates that the part depicted is not available for purchase.

NOTE: Descriptions are indented under the assembly that they are used on. That assembly is, in turn listed under the assembly that it is used on. This process is repeated until the highest final assembly is reached.

To facilitate the maintenance and repair of the vehicle, a Technician's Repair and Service Manual is available from the Service Parts Department.

HOW TO USE THE SERVICE PARTS MANUAL

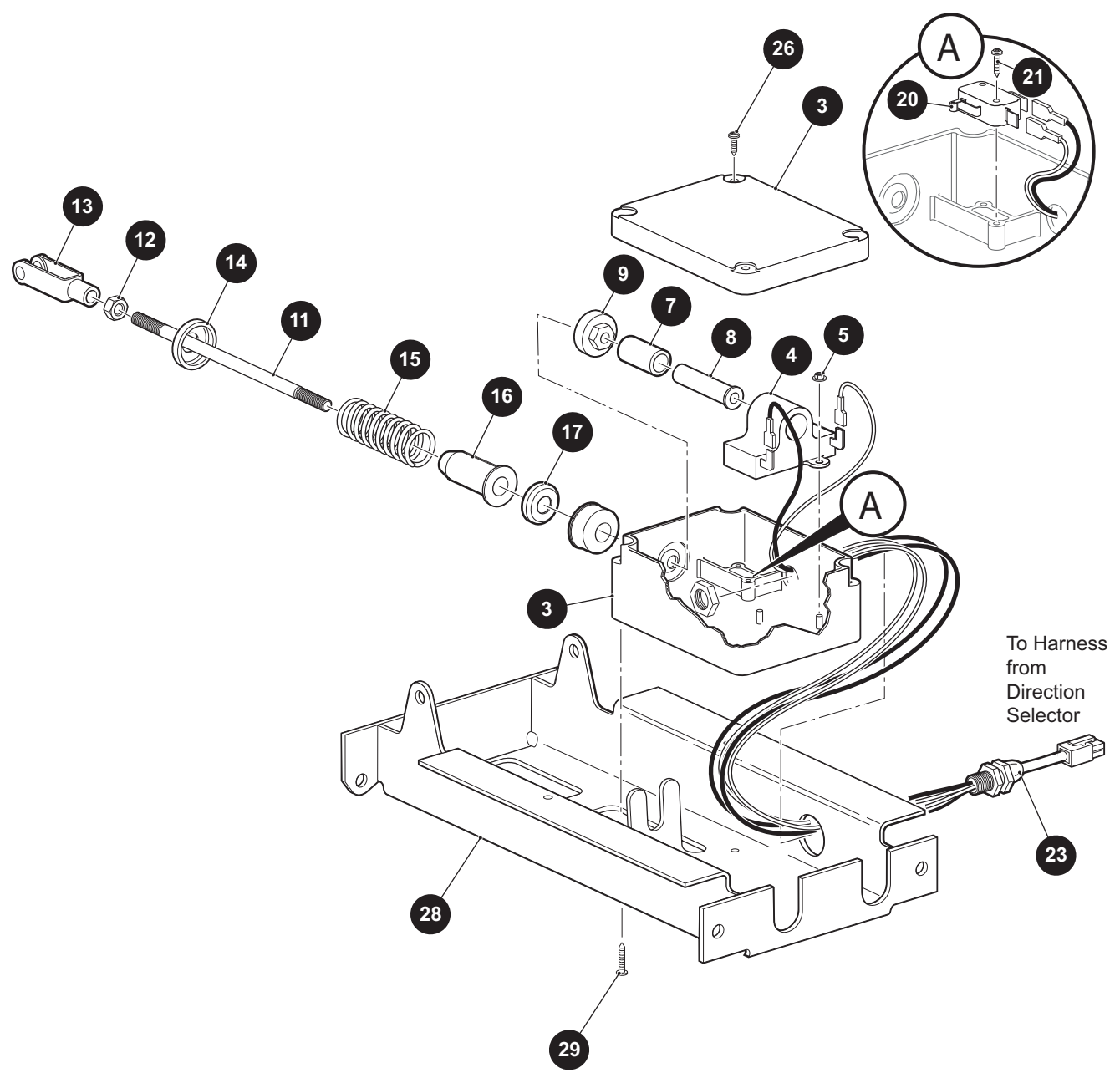
3. COLOR CODE FOR BODY COMPONENTS

The last two digits of the part number for the body part will denote the color code. Locate the part number for the cowl, rear body, seat pod, side panel or seat wrap then locate your color in the list below. Replace the last ** or XX with the two digit color code.

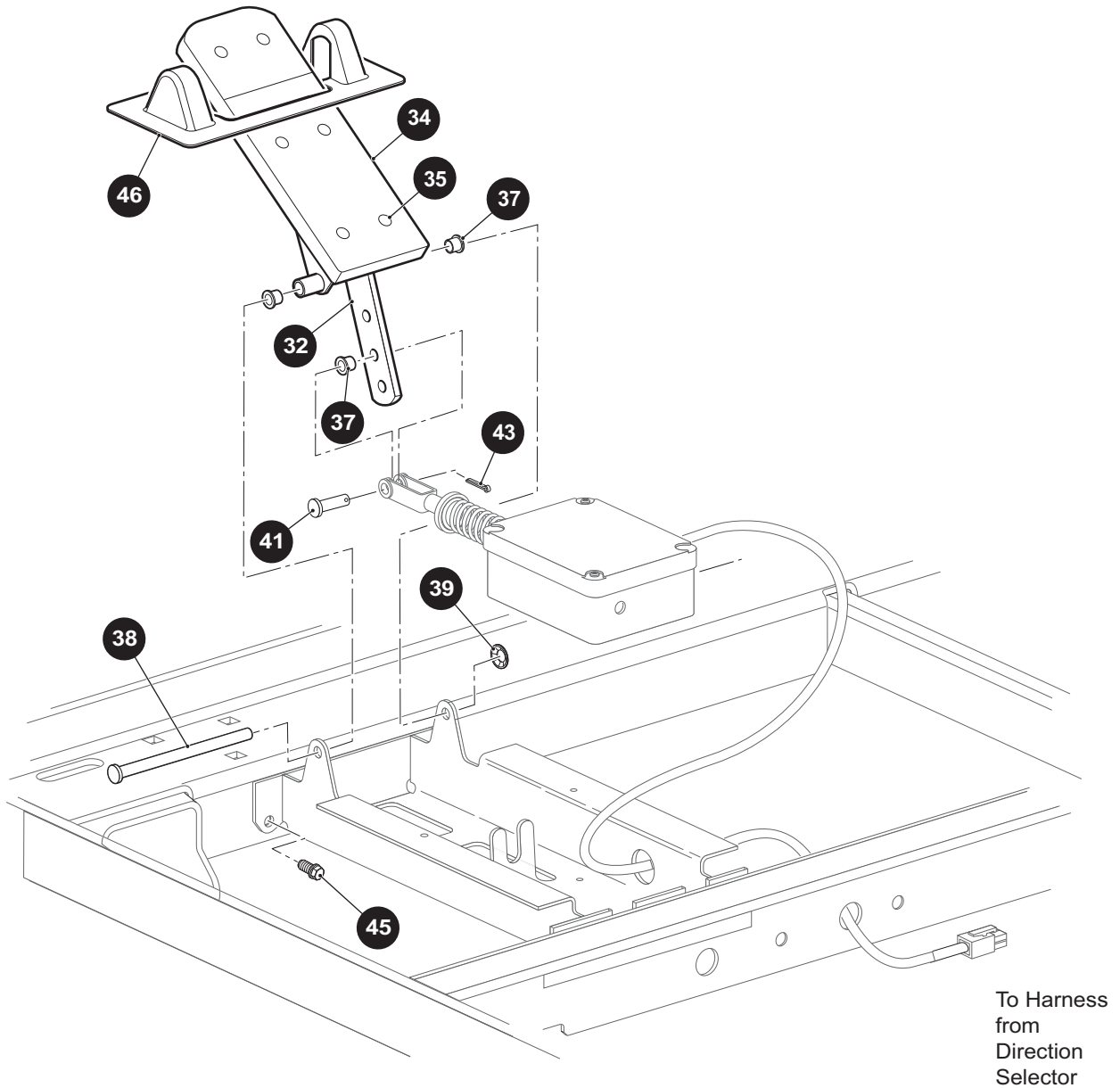
<u>CODE #</u>	<u>DESCRIPTION</u>	<u>CODE #</u>	<u>DESCRIPTION</u>
05	JACOBSEN ORANGE	105	JACOBSEN ORANGE (WITH LIGHTS)
11	BLACK	111	BLACK (WITH LIGHTS)
19	PATRIOT BLUE PEARL	119	PATRIOT BLUE PEARL (WITH LIGHTS)
20	INFERNO RED METALLIC	120	INFERNO RED METALLIC (WITH LIGHTS)
26	STEEL BLUE PEARL	126	STEEL BLUE PEARL (WITH LIGHTS)
31	METALLIC CHARCOAL	131	METALLIC CHARCOAL (WITH LIGHTS)
35	SAFETY YELLOW	135	SAFETY YELLOW (WITH LIGHTS)
36	IVORY	136	IVORY (WITH LIGHTS)
37	FOREST GREEN	137	FOREST GREEN (WITH LIGHTS)
38	BRIGHT WHITE	138	BRIGHT WHITE (WITH LIGHTS)
39	FLAME RED	139	FLAME RED (WITH LIGHTS)
41	ELECTRIC BLUE	141	ELECTRIC BLUE (WITH LIGHTS)
42	PLATINUM	142	PLATINUM (WITH LIGHTS)
43	BURGUNDY	143	BURGUNDY (WITH LIGHTS)
44	ALMOND	144	ALMOND (WITH LIGHTS)
51	SUNBURST ORANGE	151	SUNBURST ORANGE (WITH LIGHTS)
52	BRITISH RACING GREEN	152	BRITISH RACING GREEN (WITH LIGHTS)
74	BARLEY GOLD	174	BARLEY GOLD (WITH LIGHTS)
75	OASIS GREEN	175	OASIS GREEN (WITH LIGHTS)
76	JAVA BROWN	176	JAVA BROWN (WITH LIGHTS)

ACCELERATOR

1 PEDAL BOX ASSEMBLY includes items 3 - 43



31 ACCELERATOR PEDAL ASSEMBLY includes items 32 - 35



ACCELERATOR

When ordering parts, please specify the model and serial number of the product.

* Indicates a component that is not available as an individual part.

*** Indicates consult Customer Service Department for additional information.

ITEM	PART NO.	1 2 3 4 5	DESCRIPTION	QTY.
1	613163		PEDAL BOX ASSEMBLY (INCLUDES ITEMS 3 - 43)	1
2				
3	25853G01		PEDAL BOX AND COVER	1
4	25854G01		INDUCTIVE THROTTLE SENSOR.....	1
5	00983G01		SELF THREADING NUT, 3/16".....	2
6				
7	25857G01		PLUNGER SLEEVE	1
8	28443G01		PLUNGER.....	1
9	28444G01		PLUNGER CAM.....	1
10				
11	73332G01		ACCELERATOR ROD	1
12	00532G4		HEX NUT, 5/16" - 24	1
13	10385G4		CLEVIS YOKE (ADJUSTABLE)	1
14	17677G2		SPRING RETAINER, 3/8"	1
15	73046G01		COMPRESSION SPRING	1
16	17979G1		ACCELERATOR ROD BUSHING	1
17	17677G1		SPRING RETAINER, 1/2"	1
18				
19				
20	25861G02		MICRO SWITCH	1
21	01050G01		TORX PAN HEAD PLASTITE SCREW, #4 - 20 X 5/8" LG	2
22				
23	620418		WIRING HARNESS (PEDAL BOX ASSEMBLY)	1
24				
25				
26	00684G6		PHILLIPS TRUSS HEAD MACHINE SCREW (SS), #8 - 32 X 3/4" LG	2
27				
28	70116G02		ACCELERATOR PEDAL BRACKET.....	1
29	01051G01		PHILLIPS PAN HEAD SCREW, #8 - 16 X 1/2" LG	4
30				

ACCELERATOR

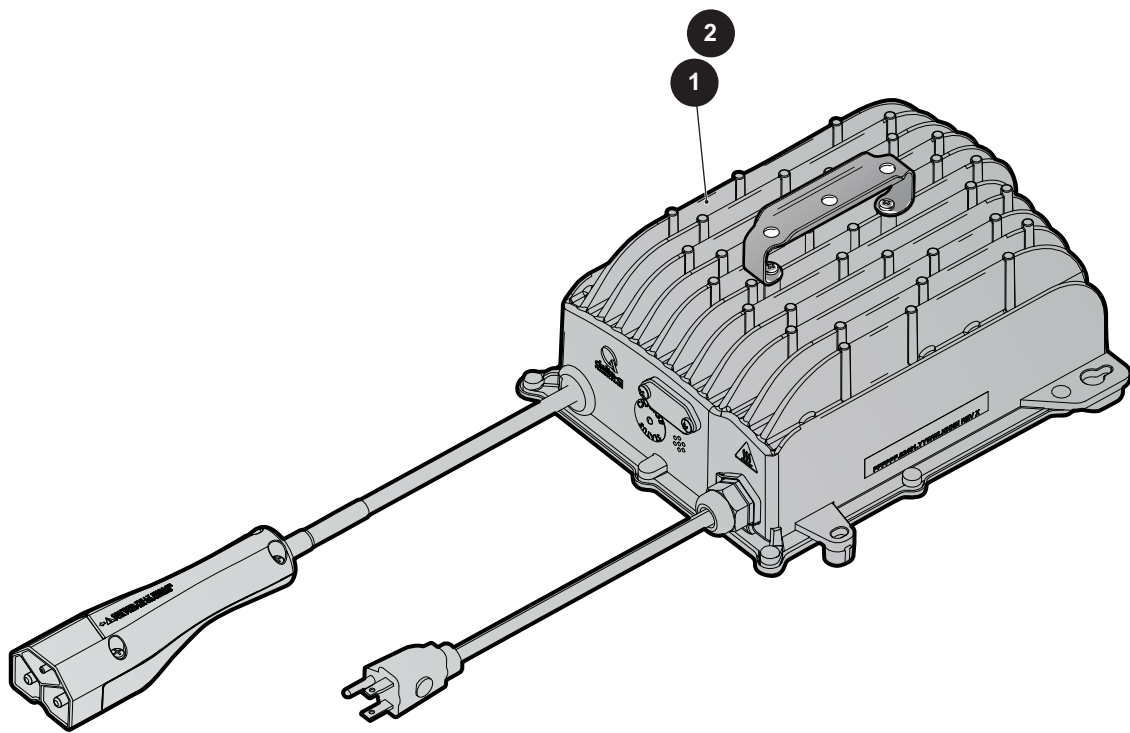
When ordering parts, please specify the model and serial number of the product.

* Indicates a component that is not available as an individual part.

*** Indicates consult Customer Service Department for additional information.

ITEM	PART NO.	1 2 3 4 5	DESCRIPTION	QTY.
31	25799G03		ACCELERATOR PEDAL ASSEMBLY (INCLUDES ITEMS 32 - 35)	1
32	70125G04		ACCELERATOR PEDAL.....	1
33				
34	27512G01		ACCELERATOR PEDAL PAD.....	1
35	16409G1		OVAL RIVET, 3/8" X 15/32" LG	6
36				
37	17838G1		NYLON BUSHING.....	3
38	74432G01		PEDAL PIVOT PIN, 4.87" LG	1
39	12064G6		PUSH NUT, 9/32" I.D.....	1
40				
41	10386G3		CLEVIS PIN, 5/16" X 13/16" LG	1
42				
43	10387G3		COTTER PIN, 3/32" X 3/4" LG	1
44				
45	00715G2		HEX HEAD FLANGE BOLT, 5/16" - 18 X .8" LG.....	4
46	70135G01		PEDAL PIVOT COVER.....	1

BATTERY CHARGER



BATTERY CHARGER

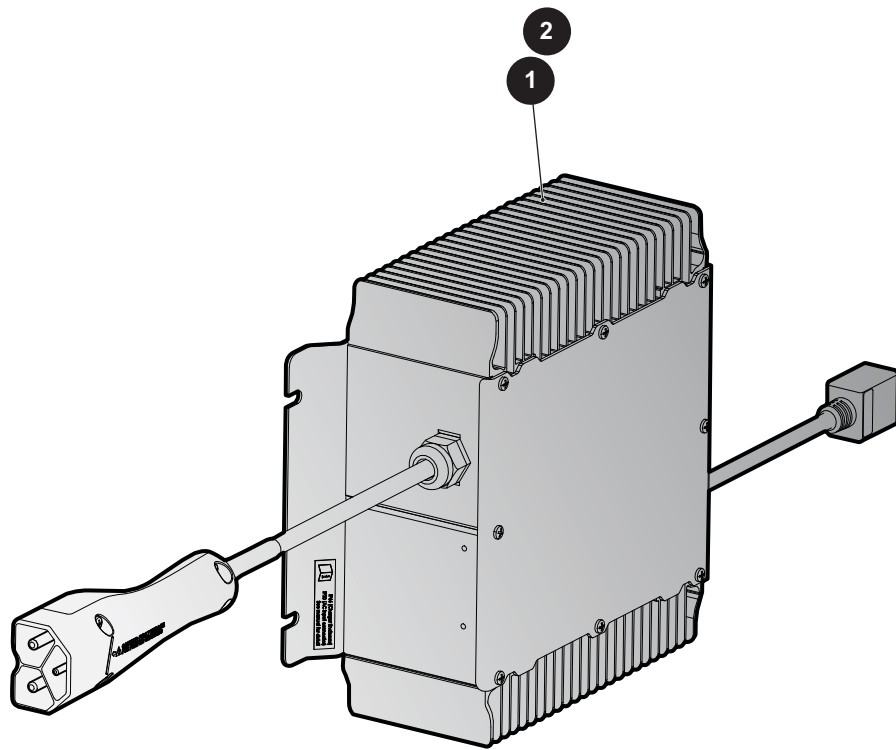
When ordering parts, please specify the model and serial number of the product.

* Indicates a component that is not available as an individual part.

*** Indicates consult Customer Service Department for additional information.

ITEM	PART NO.	1 2 3 4 5	DESCRIPTION	QTY.
1	632874		48V BATTERY CHARGER, 3 METER CORD	1
2	632877		48V BATTERY CHARGER, 5.5 METER CORD	1
3	605834		NYLON CLAMP, 36" (NOT ILLUSTRATED)	1

BATTERY CHARGER



BATTERY CHARGER

When ordering parts, please specify the model and serial number of the product.

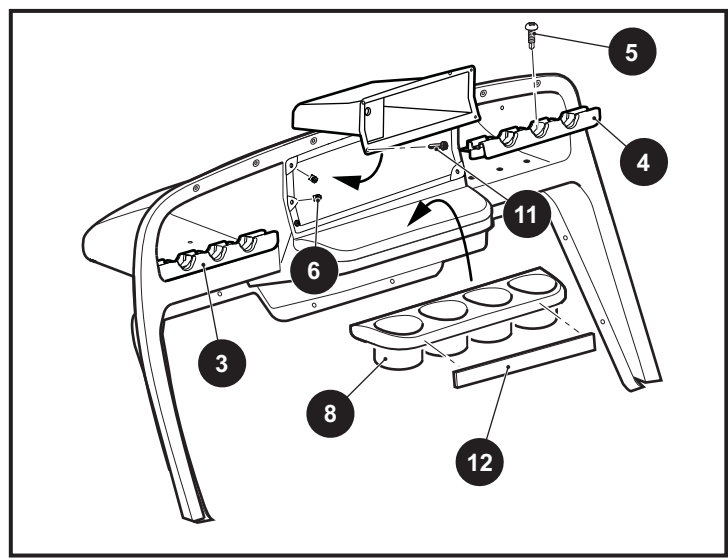
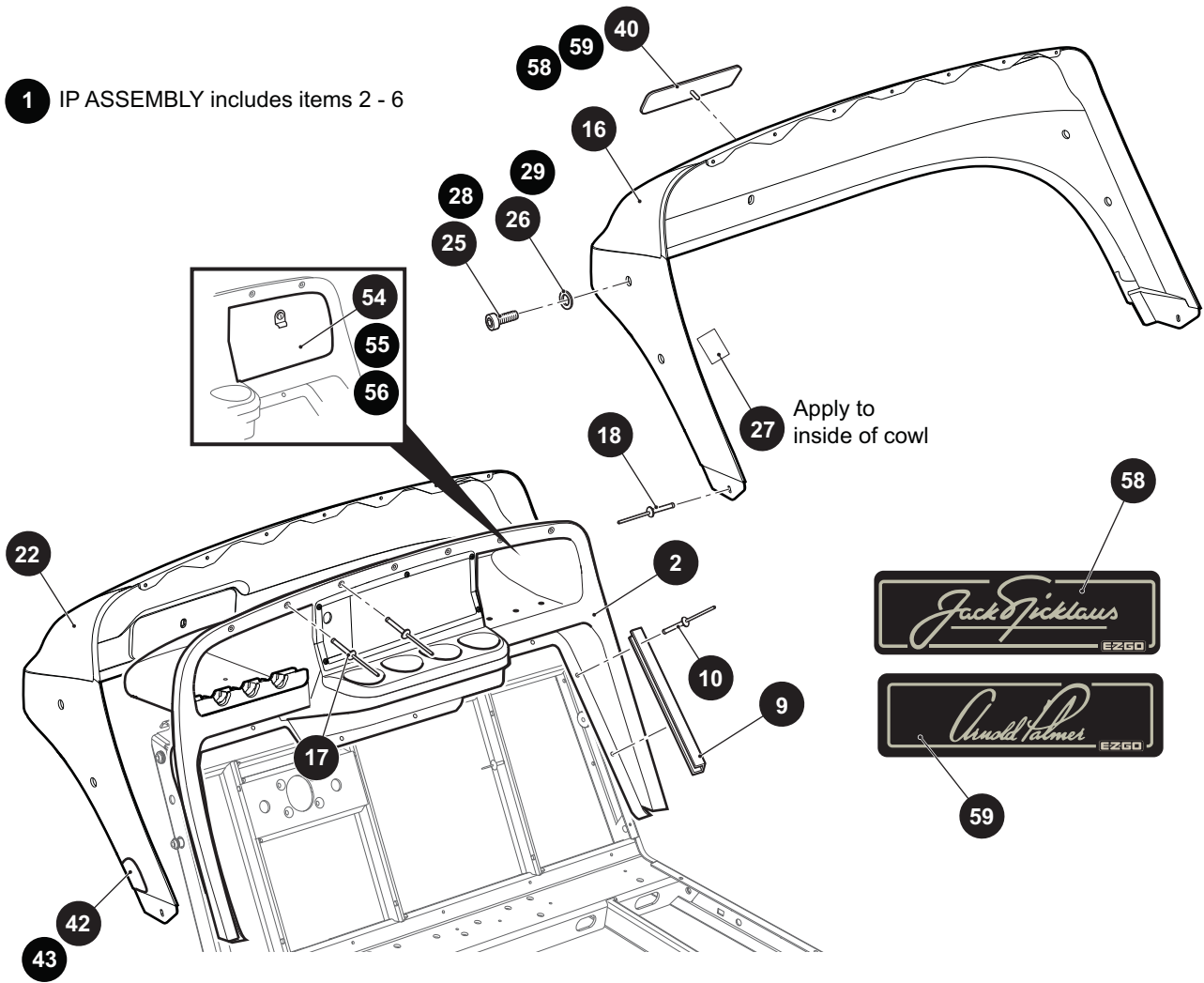
* Indicates a component that is not available as an individual part.

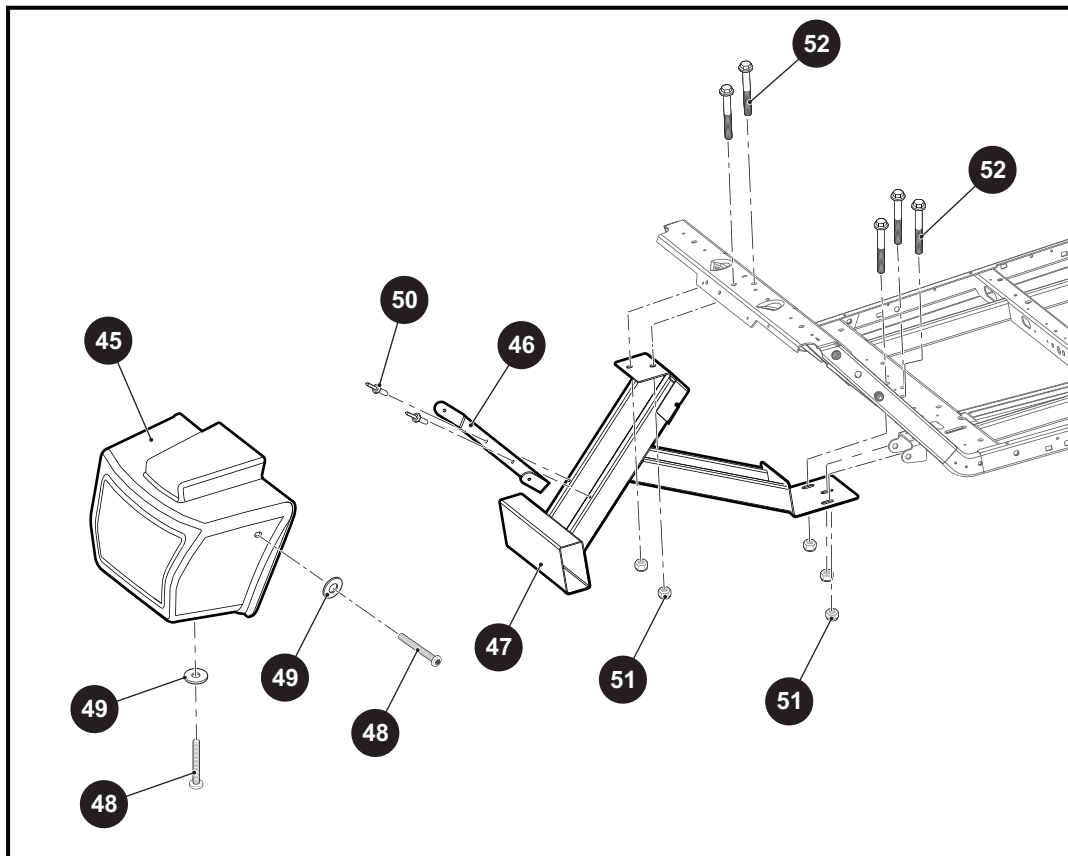
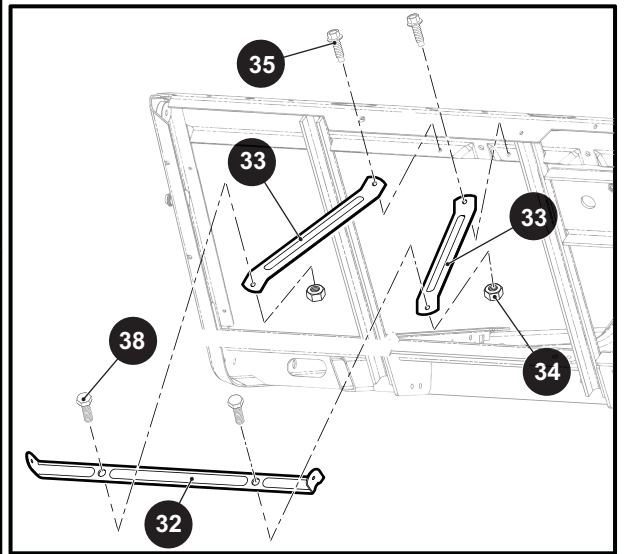
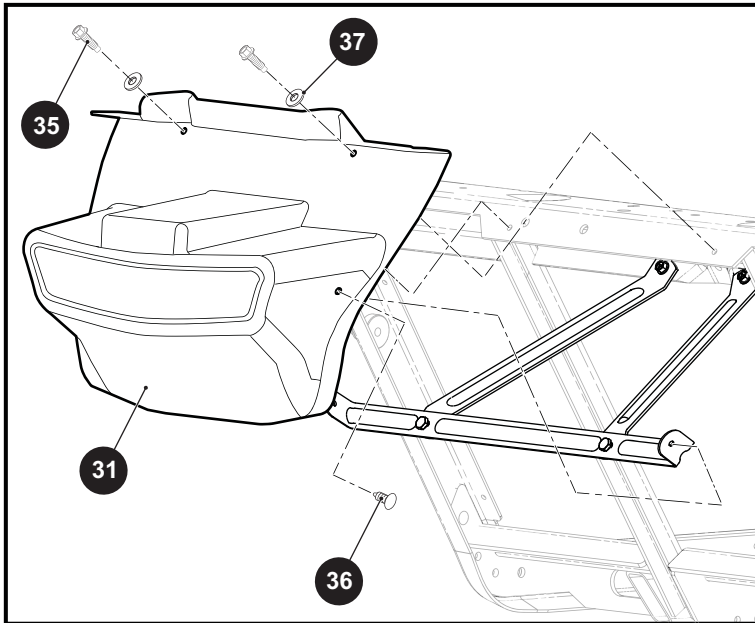
*** Indicates consult Customer Service Department for additional information.

ITEM	PART NO.	1 2 3 4 5	DESCRIPTION	QTY.
1	632881		WORLD CHARGER, 48V, 3 METER CORD	1
2	632882		WORLD CHARGER, 48V, 5.5 METER CORD	1
3	605834		NYLON CLAMP, 36" (NOT ILLUSTRATED)	2

BODY - FRONT

1 IP ASSEMBLY includes items 2 - 6





BODY - FRONT

When ordering parts, please specify the model and serial number of the product.

* Indicates a component that is not available as an individual part.

*** Indicates consult Customer Service Department for additional information.

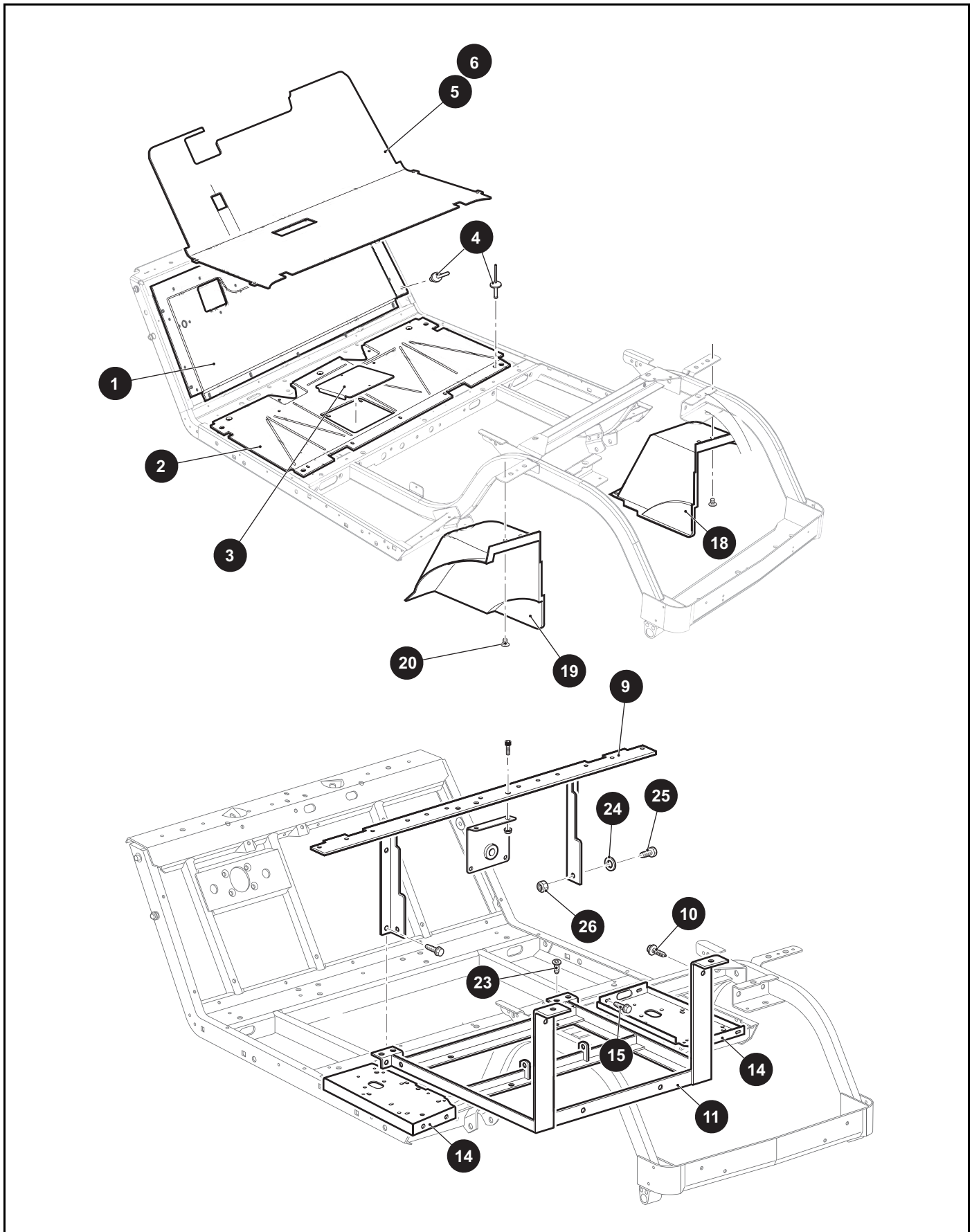
ITEM	PART NO.	1 2 3 4 5	DESCRIPTION	QTY.
1	628017		IP ASSEMBLY (INCLUDES ITEMS 2 - 6)	1
2	628010		IP ASSEMBLY WITH COMPARTMENT.....	1
3	628024		BALL HOLDER (DRIVER SIDE)	1
4	628026		BALL HOLDER (PASSENGER SIDE)	1
5	00614G5		PHILLIPS PAN HEAD TAPPING SCREW, #8 - 18 X 5/8" LG	4
6	71364G02		'J' TYPE SPEED NUT, #8 - 15 X .198" LG	5
7				
8	628023		CUP HOLDER	1
9	71115G01		TRIM - LDPE	2
10	71055G01		RIVET, 3/16" X .985" DIA	11
11	608290		PHILLIPS PAN HEAD TAPPING SCREW, #10 - 16 X 3/4" LG	5
12	625240		SAFETY LABEL	1
13				
14				
15				
16	619730G0XX		COWL (see COLOR CODES in HOW TO USE section).....	1
17	71055G01		RIVET, 3/16" X .985" DIA	7
18	10570G11		RIVET (SS), 3/16" X .70"	2
19				
20				
21				
22	619730G1XX		COWL WITH OPENINGS FOR LIGHTS (see COLOR CODES in HOW TO USE section)	1
23				
24				
25	00438G6		HEX HEAD BOLT, 5/16" - 18 X 3/4" LG (WITH TOP).....	2
26	00571G2		FLAT WASHER, 5/16"	2
27	71781G02		VINYL TAPE	2
28	71056G01		MACHINE SCREW, 5/16" - 18 X 0.62" LG (WITHOUT TOP)	4
29	00570G2		FLAT WASHER, 5/16"	4
30				
31	624607		FRONT SHIELD	1

When ordering parts, please specify the model and serial number of the product.

* Indicates a component that is not available as an individual part.

*** Indicates consult Customer Service Department for additional information.

ITEM	PART NO.	1 2 3 4 5	DESCRIPTION	QTY.
32	627769		SHIELD BRACKET	1
33	70725G02		FRONT SHIELD BRACE	2
34	14390G4		PLASTIC INSERT LOCK NUT, 1/4" - 20.....	2
35	01038G01		SWAGEFORM SCREW, 1/4" - 20 X 11/16" LG	4
36	15058G1		RIVET, 3/16" X .45" LG	2
37	16469G1		FLAT WASHER, 1/4".....	2
38	00414G6		HEX HEAD BOLT, 1/4" - 20 X 3/4" LG	2
39				
40	606405		E-Z-GO NAMEPLATE	1
41				
42	627561		REFLECTOR (DRIVER SIDE) (FREEDOM & 2+2).....	1
43	627562		REFLECTOR (PASSENGER SIDE) (FREEDOM & 2+2).....	1
44				
45	634329		BUMPER ASSEMBLY.....	1
46	625208		BUMPER BRACE	1
47	625202		BUMPER SUPPORT WELDMENT	1
48	627566		TAPPING SOCKET SCREW, 1/4" - 20 X 1.60" LG.....	3
49	627565		FLAT WASHER (SS), 1/4"	3
50	71055G01		RIVET, 3/16" X .985" DIA	2
51	00734G1		PLASTIC INSERT LOCK NUT, 7/16" - 14.....	5
52	00463G11		HEX HEAD BOLT, 7/16" - 14 X 1 5/8" LG	5
53				
54	75459G01		GLOVE BOX (DRIVER/PASSENGER SIDE).....	1
55	75459G02		GLOVE BOX (DRIVER SIDE).....	1
56	75459G03		GLOVE BOX (PASSENGER SIDE)	1
57				
58	634299		JACK NICKLAUS NAMEPLATE	1
59	634297		ARNOLD PALMER NAMEPLATE	1



When ordering parts, please specify the model and serial number of the product.

* Indicates a component that is not available as an individual part.

*** Indicates consult Customer Service Department for additional information.

ITEM	PART NO.	1 2 3 4 5	DESCRIPTION	QTY.
1	70662G01		UPPER FLOORPAN	1
2	70451G01		LOWER FLOORPAN	1
3	70452G01		ACCESS COVER.....	1
4	14601G11		RIVET, 3/16" X 9/16" LG, ALUMINUM	16
5	634355G01		FLOORMAT	1
6	634355G02		FLOORMAT WITH HORN HOLE (FREEDOM & 2+2)	1
7				
8				
9	70441G01		SEAT FRAME	1
10	00715G2		HEX HEAD FLANGE BOLT, 5/16" - 18 X 4/5" LG.....	4
11	70046G02		BATTERY RACK WELDMENT	1
12				
13				
14	70244G03		SPLASH PANEL	2
15	00715G2		HEX HEAD FLANGE BOLT, 5/16" - 18 X 4/5" LG.....	8
16	72910G01		CORROSION PATCH (NOT ILLUSTRATED)	2
17				
18	635054G02		FENDER LINER (PASSENGER SIDE).....	1
19	635054G01		FENDER LINER (DRIVER SIDE)	1
20	16816G2		RATCHET FASTENER, 1/4" X 3/4" LG.....	8
21				
22				
23	70200G01		TRUSS HEAD HEX SCREW, 3/8" - 10.....	2
24	00559G8		FLAT WASHER, 5/8"	2
25	00438G6		HEX HEAD BOLT, 5/16" - 18 X 3/4" LG	2
26	11098G6		PLASTIC INSERT NUT, 5/16" - 18.....	2

When ordering parts, please specify the model and serial number of the product.

* Indicates a component that is not available as an individual part.

*** Indicates consult Customer Service Department for additional information.

ITEM	PART NO.	1 2 3 4 5	DESCRIPTION	QTY.
1	625272G0XX		REAR BODY (WITHOUT TAILLIGHTS) (INCLUDES ITEMS 3 - 11) (see COLOR CODES in HOW TO USE section)	1
2	625272G1XX		REAR BODY (WITH TAILLIGHTS) (INCLUDES ITEMS 3 - 11) (see COLOR CODES in HOW TO USE section)	1
3	624374		BAGWELL LINER.....	1
4	10570G10		RIVET (SS), 5/32" X 9/16" LG	5
5	10570G11		RIVET (SS), 3/16" X .70" LG	4
6	10570G12		RIVET (SS), 1/4" X 9/16" LG	4
7	633917		PLASTIC RIVET, 1/4" X 1" LG.....	2
8	71320G01		ACCESS COVER	1
9	01107G01		TORX PAN HEAD SCREW, #8 X .63" LG	5
10	71609G01		SEAT HINGE PLATE	2
11	16816G2		RATCHET FASTENER, 1/4" X 3/4" LG	2
12				
13				
14				
15	71578G01		REAR BUMPER.....	1
16	71102G01		HEX HEAD BOLT, 1/4" - 20 X 3/4" LG	4
17	00571G2		FLAT WASHER, 5/16".....	4
18	71514G01		BUMPER PLUG.....	4
19	14601G17		RIVET, 3/16" X 9/16" LG, ALUMINUM	4
20				
21				
22	71456G01		REAR BUMPER (2+2)	1
23	71102G03		HEX HEAD BOLT, 1/4" - 20 X 1 1/4" LG	2
24	71554G01		'J' TYPE NUT RETAINER, 1/4" - 20.....	2
25	71451G02		REAR BUMPER (2+2)	1
26				
27	615239		ROCKER PANEL WITH SILL PLATE (DRIVER SIDE)	1
28	617333		ROCKER PANEL WITH SILL PLATE (PASSENGER SIDE).....	1
29	15058G6		BLACK RIVET, 3/16", ALUMINUM.....	4
30	634161		HEXALOBULAR FLANGE BOLT, M6 - 1 X 34.5MM LG	4

BODY - REAR

When ordering parts, please specify the model and serial number of the product.

* Indicates a component that is not available as an individual part.

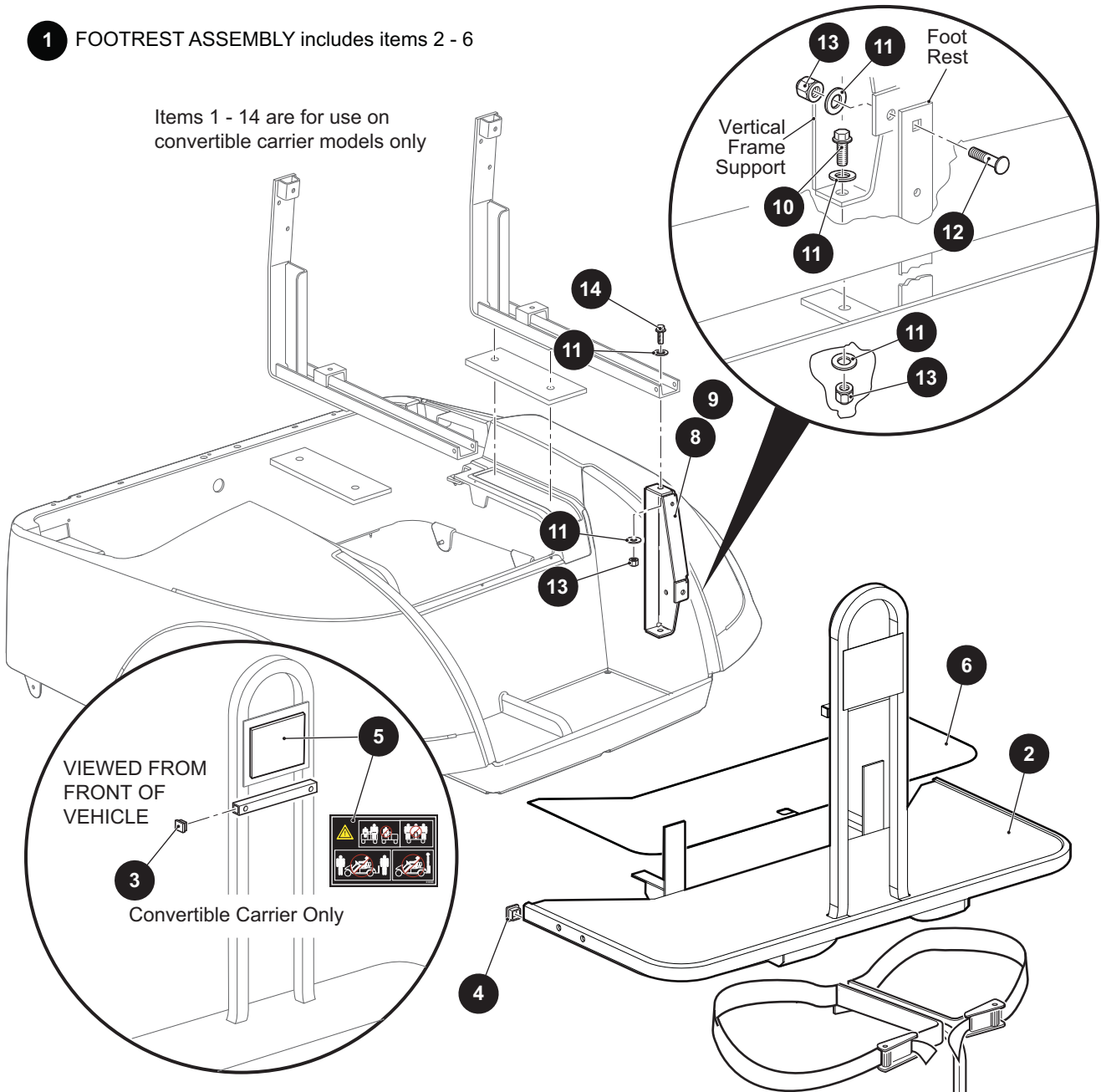
*** Indicates consult Customer Service Department for additional information.

ITEM	PART NO.	1 2 3 4 5	DESCRIPTION	QTY.
31	601476		LOCK NUT, M6 - 1.....	4
32	23726G4		SPACER, 5/16".....	4
33				
34				
35	613478		DECAL, FLEET.....	2
36				
37	614386		DECAL, FREEDOM.....	2
38	625244		REAR REFLECTORS (DRIVER SIDE) (FREEDOM & 2+2) (NOT ILLUSTRATED).....	1
39	625246		REAR REFLECTORS (PASSENGER SIDE) (FREEDOM & 2+2) (NOT ILLUSTRATED).....	1
40	627563		SIDE REFLECTORS (DRIVER SIDE) (FREEDOM & 2+2).....	1
41	627564		SIDE REFLECTORS (PASSENGER SIDE) (FREEDOM & 2+2).....	1
42				
43	614453		DECAL, 2+2.....	2
44				
45	604847		GOLDEN BEAR DECAL.....	2
46	604850		UMBRELLA DECAL.....	2
47				
48	16816G2		RATCHET RIVET, 0.25" X 0.887".....	6
49	625210		REAR SCUFF PAD (DRIVER SIDE).....	1
50	625211		REAR SCUFF PAD (PASSENGER SIDE).....	1

BODY - ACCESSORIES

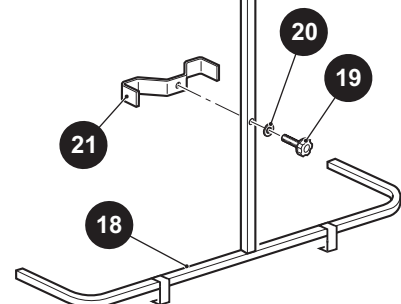
1 FOOTREST ASSEMBLY includes items 2 - 6

Items 1 - 14 are for use on convertible carrier models only



TWO BAG ATTACHMENT

17 TWO BAG ATTACHMENT KIT includes items 18 - 21



BODY - ACCESSORIES

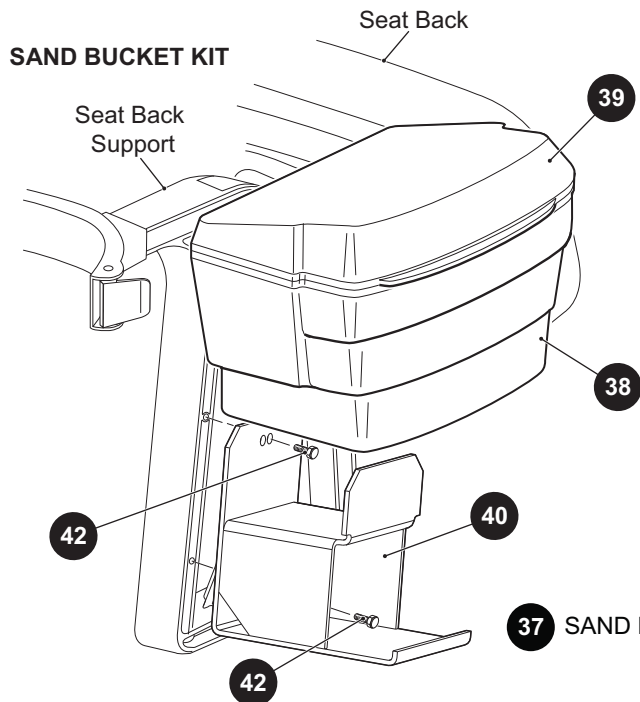
When ordering parts, please specify the model and serial number of the product.

* Indicates a component that is not available as an individual part.

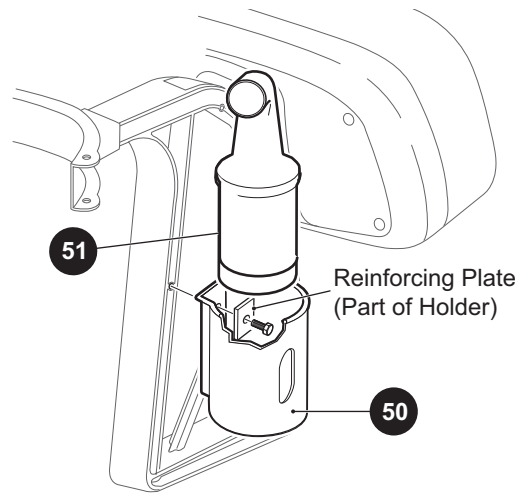
*** Indicates consult Customer Service Department for additional information.

ITEM	PART NO.	1 2 3 4 5	DESCRIPTION	QTY.
1	70361G01		FOOTREST ASSEMBLY (INCLUDES ITEMS 2 - 6).....	1
2	70633G01		FOOTREST	1
3	19859G1		END CAP, 3/4"	2
4	19853G1		END CAP, 1"	2
5	610630		WARNING LABEL	1
6	70362G01		RUBBER FLOOR MAT	1
7				
8	74126G01		VERTICAL FRAME SUPPORT (DRIVER SIDE)	1
9	74126G02		VERTICAL FRAME SUPPORT (PASSENGER SIDE).....	1
10	00427G6		BOLT, 3/8" - 16 X 1 1/2" LG	2
11	00560G1		FLAT WASHER, 3/8"	10
12	00769G2		CARRIAGE BOLT, 3/8" - 16 X 1 1/4" LG.....	2
13	11098G5		LOCK NUT, 3/8" - 16.....	6
14	00426G8		BOLT, 3/8" - 16 X 1" LG	2
15				
16				
17	75183G01		TWO BAG ATTACHMENT KIT (INCLUDES ITEMS 18 - 21).....	1
18	75188G01		TWO BAG ATTACHMENT.....	1
19	22238G2		KNOB, 3/8" - 16 X 1 1/2" LG	1
20	17255G1		TEFLON WASHER, 5/16"	1
21	75187G01		SUPPORT BRACKET	1

BODY - ACCESSORIES



SAND BOTTLE DIVOT REPAIR KIT

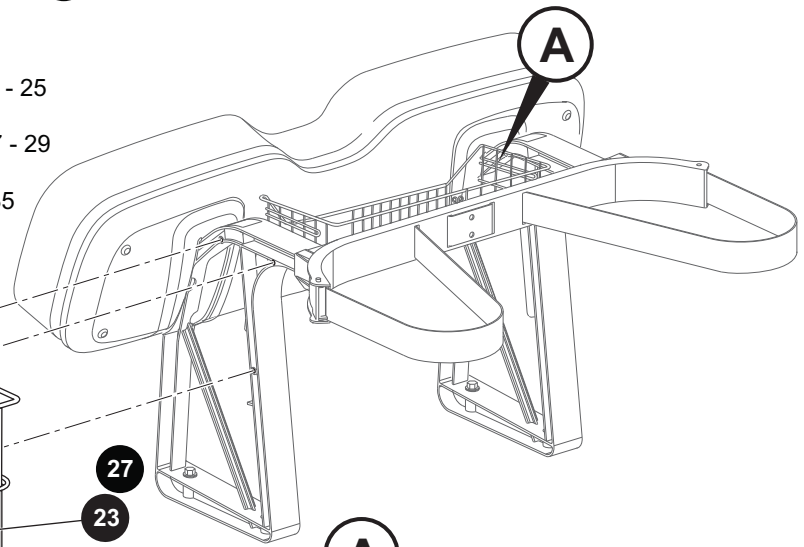
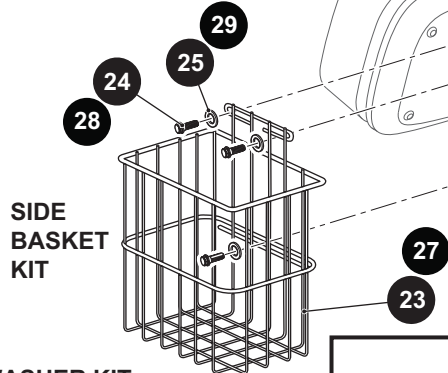


37 SAND BUCKET KIT includes items 38 - 42

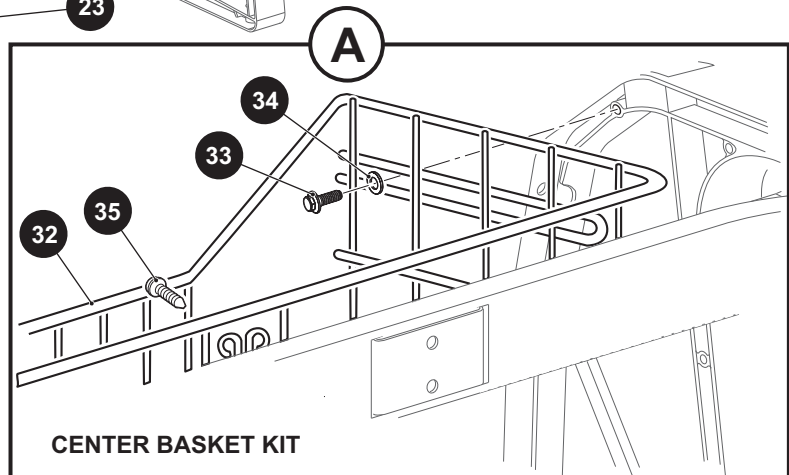
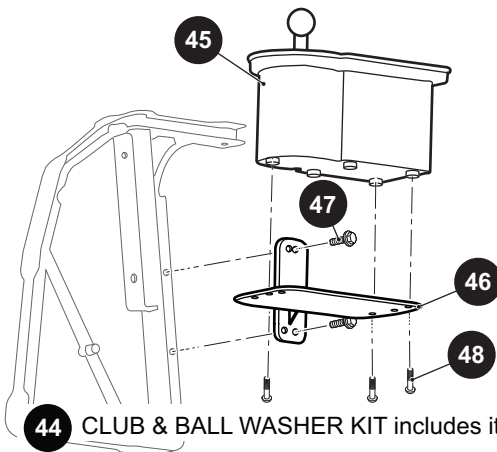
22 SIDE BASKET KIT (ONE) includes items 23 - 25

26 SIDE BASKET KIT (TWO) includes items 27 - 29

31 CENTER BASKET KIT includes items 32 - 35



CLUB & BALL WASHER KIT



CENTER BASKET KIT

44 CLUB & BALL WASHER KIT includes items 45 - 48

BODY - ACCESSORIES

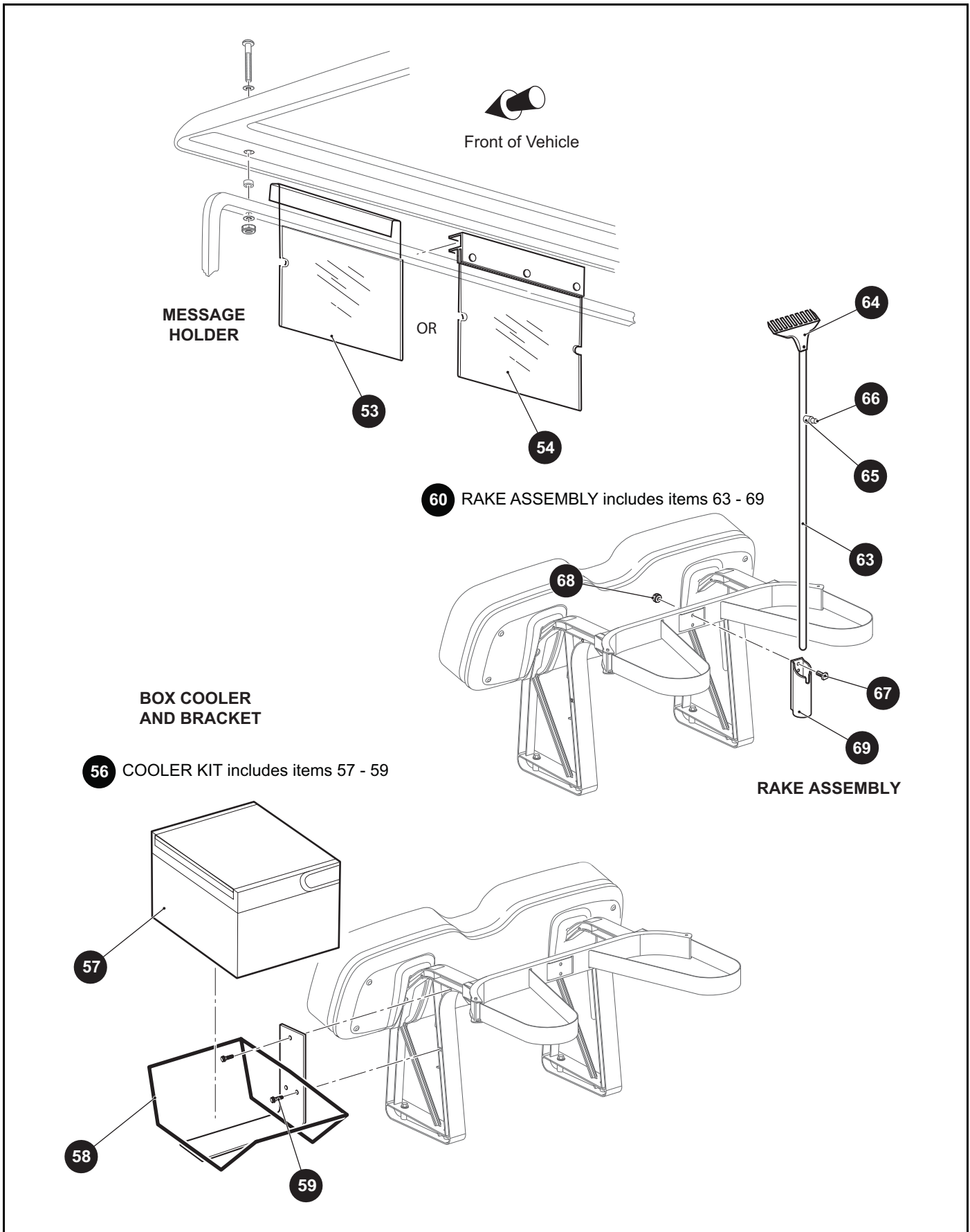
When ordering parts, please specify the model and serial number of the product.

* Indicates a component that is not available as an individual part.

*** Indicates consult Customer Service Department for additional information.

ITEM	PART NO.	1 2 3 4 5	DESCRIPTION	QTY.
22	75007G01		SIDE BASKET KIT WITH ONE BASKET (INCLUDES ITEMS 23 - 25)	1
23	75460G01		SIDE BASKET	1
24	71102G01		HEX HEAD BOLT, 1/4" - 20 X 3/4" LG.....	3
25	00793G2		FLAT WASHER (SS), 1/4"	3
26	75007G03		SIDE BASKET KIT WITH TWO BASKET (INCLUDES ITEMS 27 - 29)	1
27	75460G01		SIDE BASKET	2
28	71102G01		HEX HEAD BOLT, 1/4" - 20 X 3/4" LG.....	6
29	00793G2		FLAT WASHER (SS), 1/4"	6
30				
31	75003G02		CENTER BASKET KIT (INCLUDES ITEMS 32 - 35).....	1
32	75461G01		CENTER BASKET	1
33	71102G01		HEX HEAD BOLT, 1/4" - 20 X 3/4" LG.....	2
34	00793G2		FLAT WASHER (SS), 1/4"	2
35	01105G01		TORX SCREW (SS), #10 - 14 X 5/8" LG	2
36				
37	634314		SAND BUCKET KIT (INCLUDES ITEMS 38 - 42)	1
38	74845G01		SAND BUCKET WITHOUT LID.....	1
39	74846G01		SAND BUCKET LID	1
40	634181		MOUNTING BRACKET	1
41	74848G01		SAND SCOOP (NOT ILLUSTRATED).....	1
42	71102G01		HEX HEAD BOLT, 1/4" - 20 X 3/4" LG.....	2
43				
44	627900		CLUB & BALL WASHER KIT (INCLUDES ITEMS 45 - 48)	1
45	*		CLUB & BALL WASHER	1
46	*		CLUB & BALL WASHER WELDMENT.....	1
47	*		HEX HEAD BOLT, 1/4" - 20 X 3/4" LG.....	2
48	*		PHILLIPS PAN HEAD SELF TAPPING SCREW, #8 - 18 X 1" LG	3
49				
50	28660G01		SAND BOTTLE HOLDER	1
51	600612		SAND BOTTLE	1
52	614191		SAND BOTTLE HARDWARE KIT (NOT ILLUSTRATED).....	1

BODY - ACCESSORIES



BODY - ACCESSORIES

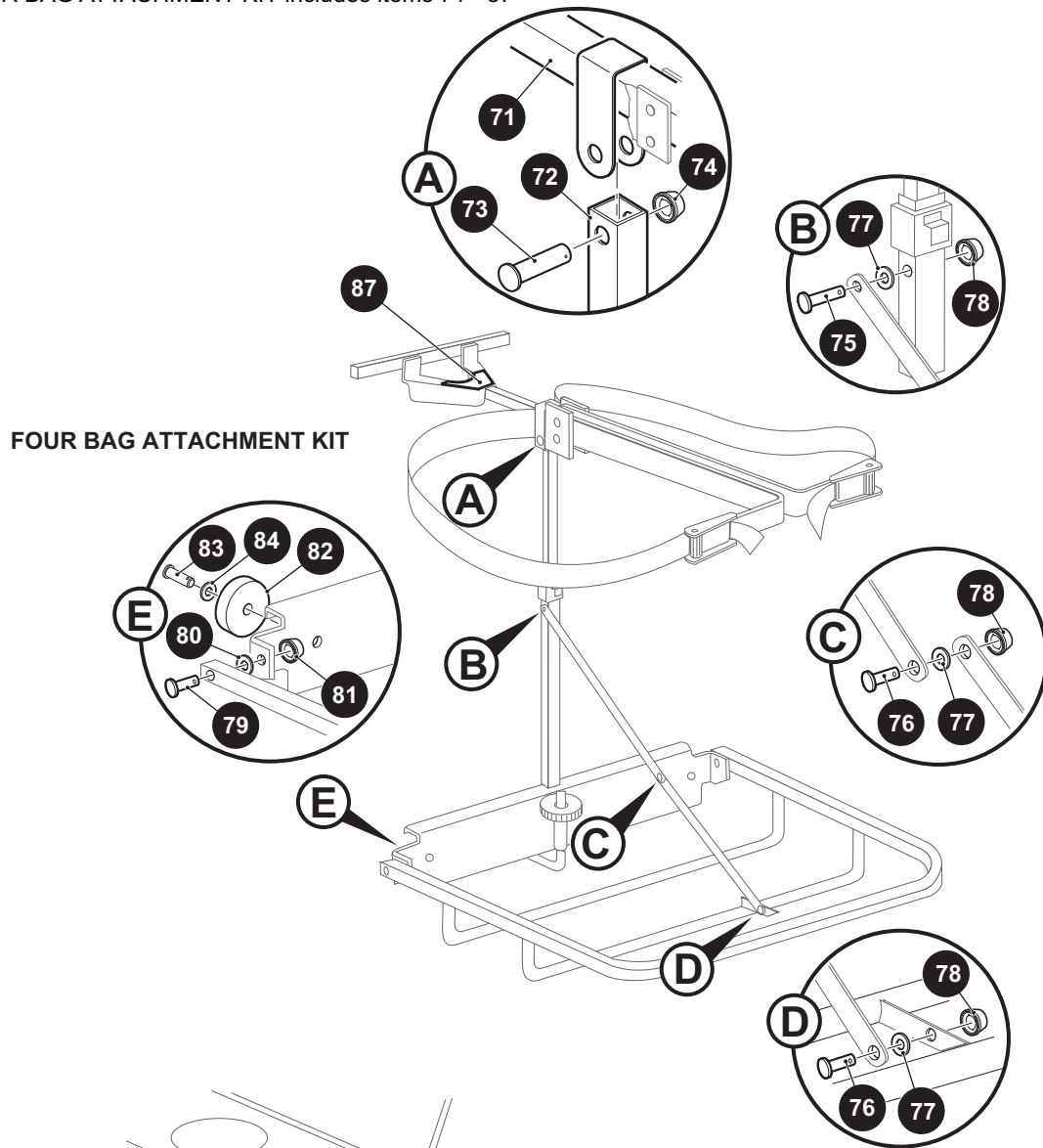
When ordering parts, please specify the model and serial number of the product.

* Indicates a component that is not available as an individual part.

*** Indicates consult Customer Service Department for additional information.

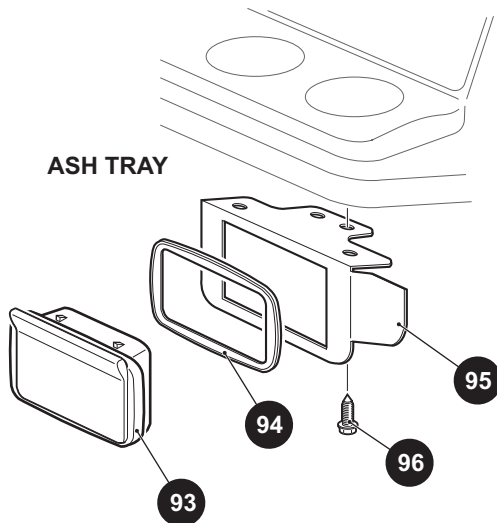
ITEM	PART NO.	1 2 3 4 5	DESCRIPTION	QTY.
53	634624		MESSAGE HOLDER (ONE PIECE)	1
54	634347		MESSAGE HOLDER	1
55				
56	634319		COOLER KIT (INCLUDES ITEMS 57 - 59)	1
57	601366		BEVERAGE COOLER.....	1
58	634154		COOLER BRACKET	1
59	71102G01		HEX HEAD BOLT, 1/4" - 20 X 3/4" LG.....	3
60				
61				
62	14735G1		RAKE ASSEMBLY (INCLUDES ITEMS 63 - 69)	1
63	14736G2		RAKE HANDLE	1
64	14737G1		RAKE	1
65	14934G1		SPACER	1
66	00130G8		PHILLIPS HEAD WOOD SCREW, #10 - 13 X 1" LG	1
67	00989G06		SQUARE HEAD BOLT, 1/4" - 20 X 3/4" LG.....	2
68	11027G2		LOCK NUT, 1/4" - 20	2
69	25885G01		RAKE HOLDER.....	1

70 FOUR BAG ATTACHMENT KIT includes items 71 - 87



FOUR BAG ATTACHMENT KIT

ASH TRAY



92 ASH TRAY KIT includes items 93 - 96

BODY - ACCESSORIES

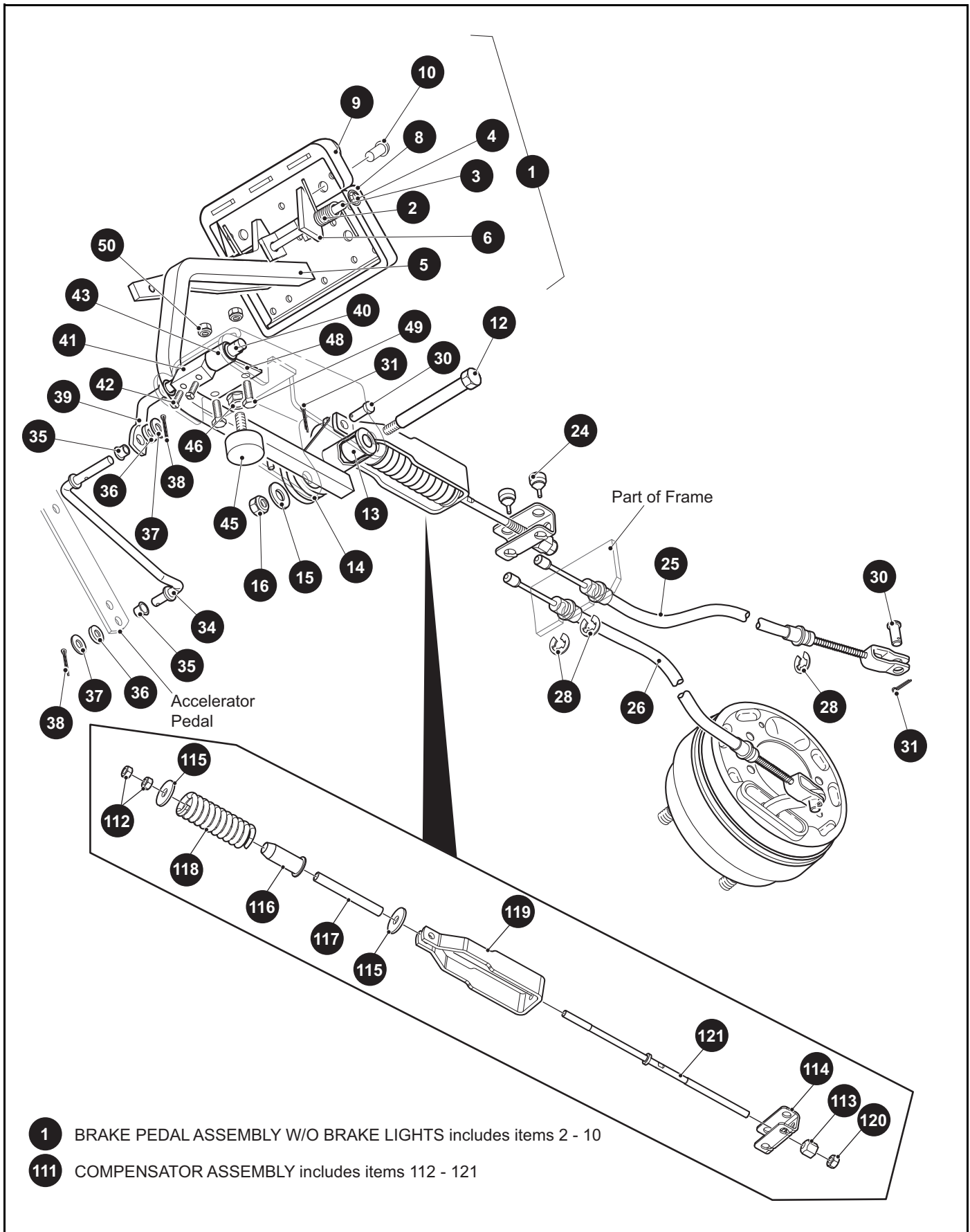
When ordering parts, please specify the model and serial number of the product.

* Indicates a component that is not available as an individual part.

*** Indicates consult Customer Service Department for additional information.

ITEM	PART NO.	1 2 3 4 5	DESCRIPTION	QTY.
70	75335G01		FOUR BAG ATTACHMENT KIT (INCLUDES ITEMS 71 - 87)	1
71	*		TOP ASSEMBLY	1
72	*		BOTTOM ASSEMBLY	1
73	17651G2		CLEVIS PIN, 5/16" X 1 1/8" LG	1
74	28129G01		PUSH NUT, 5/16"	1
75	17651G2		CLEVIS PIN, 5/16" X 1 1/8" LG	1
76	17651G3		CLEVIS PIN, 5/16" X 1/2" LG	2
77	00559G8		FLAT WASHER, 5/16"	3
78	28129G01		PUSH NUT, 5/16"	3
79	17651G1		CLEVIS PIN 3/8" X 1 1/4" LG	2
80	00560G1		FLAT WASHER, 3/8"	2
81	28129G02		PUSH NUT, 3/8"	2
82	13728G1		RUBBER BUMPER	2
83	14601G1		RIVET, 3/16"	2
84	00559G5		FLAT WASHER, #10	2
85				
86				
87	75130G01		WARNING LABEL	1
88				
89				
90				
91				
92	75109G03		ASH TRAY KIT (INCLUDES ITEMS 93 - 96)	1
93	27731G01		ASH TRAY	1
94	27736G01		GASKET	1
95	75108G02		BRACKET	1
96	00100G4		HEX HEAD TAPPING SCREW, #10 - 16 X 1/2" LG	4
97	625920		SOLAR PANEL CONTROLLER (NOT ILLUSTRATED)	1
98	625921		SOLAR PANEL HARNESS (NOT ILLUSTRATED)	1
99	625922		SOLAR PANEL BATTERY HARNESS (NOT ILLUSTRATED)	1
100	625926		SOLAR PANEL (NOT ILLUSTRATED)	1

BRAKES

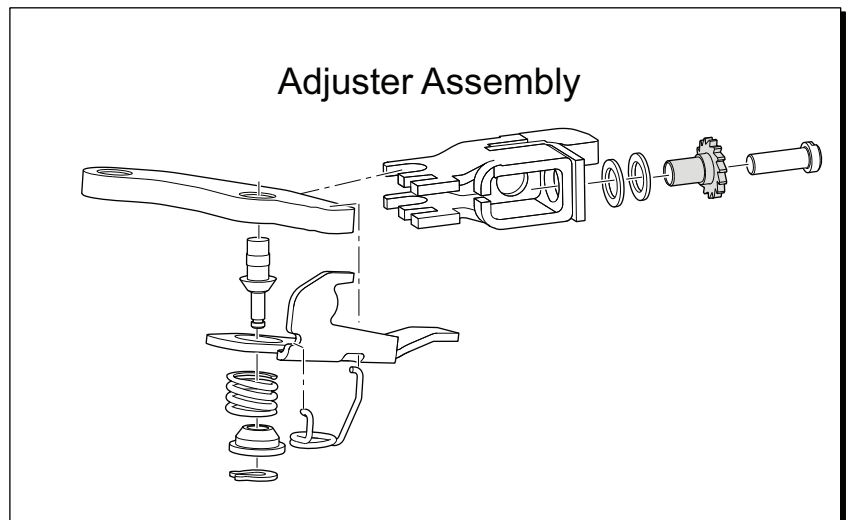
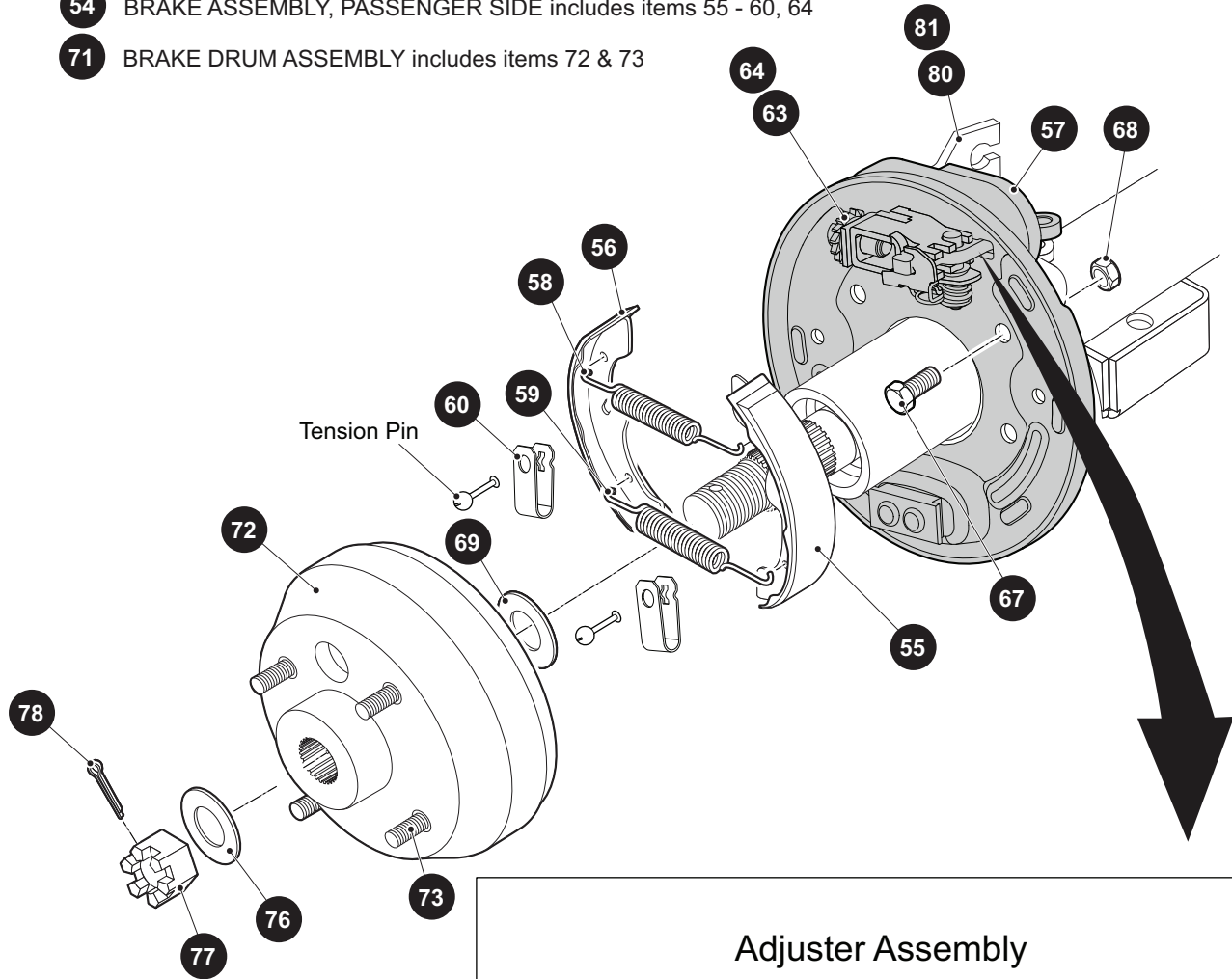


1 BRAKE PEDAL ASSEMBLY W/O BRAKE LIGHTS includes items 2 - 10

111 COMPENSATOR ASSEMBLY includes items 112 - 121

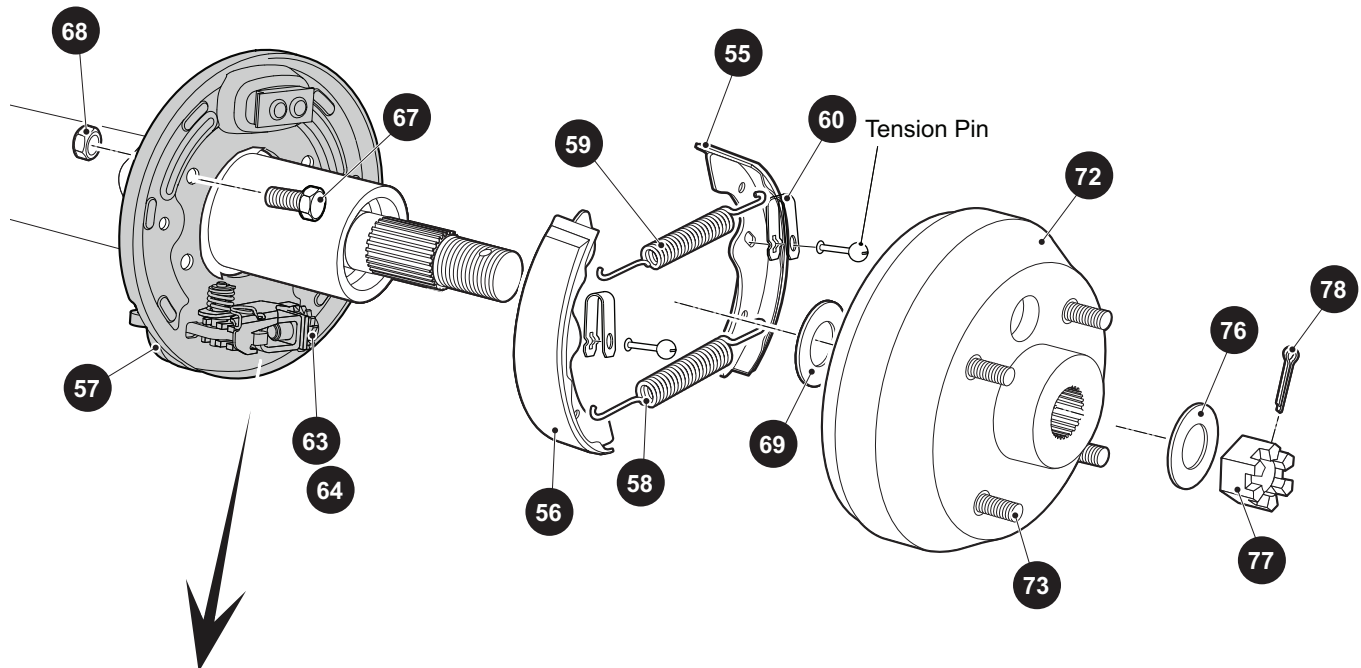
TOP PULL

- 53** BRAKE ASSEMBLY, DRIVER SIDE includes items 55 - 60, 63
- 54** BRAKE ASSEMBLY, PASSENGER SIDE includes items 55 - 60, 64
- 71** BRAKE DRUM ASSEMBLY includes items 72 & 73

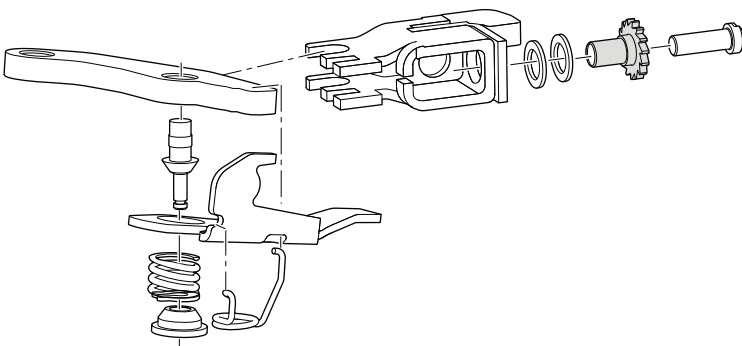


BOTTOM PULL

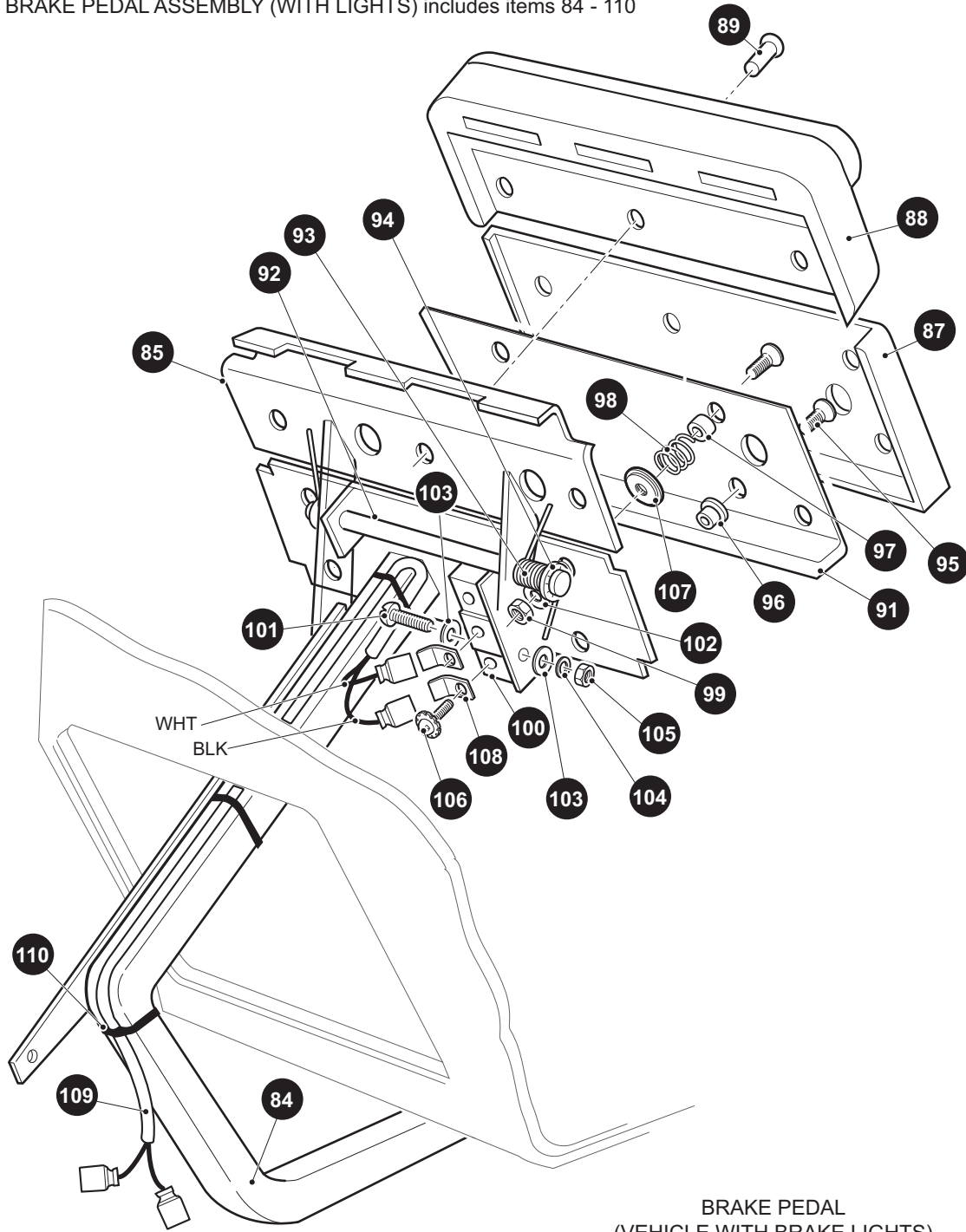
- 53 BRAKE ASSEMBLY, DRIVER SIDE includes items 55 - 60, 63
- 54 BRAKE ASSEMBLY, PASSENGER SIDE includes items 55 - 60, 64
- 71 BRAKE DRUM ASSEMBLY includes items 72 & 73



Adjuster Assembly



83 BRAKE PEDAL ASSEMBLY (WITH LIGHTS) includes items 84 - 110



BRAKE PEDAL
(VEHICLE WITH BRAKE LIGHTS)

BRAKES

When ordering parts, please specify the model and serial number of the product.

* Indicates a component that is not available as an individual part.

*** Indicates consult Customer Service Department for additional information.

ITEM	PART NO.	1 2 3 4 5	DESCRIPTION	QTY.
1	70612G02		BRAKE PEDAL ASSEMBLY (WITHOUT BRAKE LIGHTS) (INCLUDES ITEMS 2 - 10).....	1
2	70681G01		TORSION SPRING	2
3	70682G01		PIVOT PIN	1
4	01071G01		PUSHNUT, 5/16"	2
5	70259G02		BRAKE PEDAL	1
6	70611G02		PARK BRAKE PEDAL.....	1
7				
8	70257G01		SERVICE BRAKE PAD	1
9	70256G01		PARK BRAKE PEDAL PAD	1
10	16409G1		OVAL RIVET, 3/16" X 7/16" LG.....	9
11				
12	70582G01		SHOULDER BOLT (SS), 3/8" - 16 X 4" LG	1
13	70581G01		ACETAL FLANGED BUSHING	2
14	70676G01		TORSION SPRING	1
15	00643G1		FLAT WASHER, 3/8"	1
16	11098G5		LOCK NUT, 3/8" - 16	1
17				
18	01038G01		SWAGEFORM SCREW, 1/4" - 20 (NOT ILLUSTRATED).....	1
19				
20	12416G2		NYLON WEDGE LOCK CLAMP, 10" (NOT ILLUSTRATED)	AR
21				
22				
23				
24	28083G01		BRAKE COMPENSATOR BUMPER	2
25	624690		BRAKE CABLE, 37.06" (DRIVER SIDE).....	1
26	624691		BRAKE CABLE, 46.81" (PASSENGER SIDE)	1
27				
28	01111G01		RETAINING RING (SS), 13/32".....	4
29				
30	10386G3		CLEVIS PIN, 5/16" X 13/16" LG	3
31	10387G3		COTTER PIN, 3/32" X 3/4" LG	3

When ordering parts, please specify the model and serial number of the product.

* Indicates a component that is not available as an individual part.

*** Indicates consult Customer Service Department for additional information.

ITEM	PART NO.	1 2 3 4 5	DESCRIPTION	QTY.
32				
33				
34	70601G01		KICK-OFF LINK	1
35	17838G1		NYLON BUSHING	2
36	20835G1		TEFLON WASHER, 3/8"	2
37	00559G8		FLAT WASHER, 5/16"	2
38	10387G3		COTTER PIN, 3/32" X 3/4" LG.....	2
39	70098G01		KICK-OFF CAM PIVOT.....	1
40	10097G6		FLANGED BEARING	2
41	70587G01		KICK-OFF CAM, PARK BRAKE.....	1
42	71215G01		SETSCREW, 1/4" - 20 X 1/2" LG	2
43	14134G4		SPACER, 1.25" LG	1
44				
45	70113G01		ADJUSTABLE BUMPER.....	1
46	11027G1		LOCK NUT, 5/16" - 18.....	1
47				
48	70080G02		CATCH BRACKET	1
49	00414G6		HEX HEAD BOLT, 1/4" - 20 X 3/4" LG	2
50	14390G4		LOCK NUT (SS), 1/4" - 20	2
51				
52				
53	612211		BRAKE ASSEMBLY (DRIVER SIDE) (INCLUDES ITEMS 55 - 60, 63).....	1
54	612189		BRAKE ASSEMBLY (PASSENGER SIDE) (INCLUDES ITEMS 55 - 60, 64) .	1
55	612411		BRAKE SHOE, LEADING	2
56	612412		BRAKE SHOE, TRAILING.....	2
57	612413		DUST COVER	1
58	612415		BRAKE SPRING, BOTTOM.....	1
59	612414		BRAKE SPRING, TOP.....	1
60	612416		SHOE CLAMP	2
61				
62				

BRAKES

When ordering parts, please specify the model and serial number of the product.

* Indicates a component that is not available as an individual part.

*** Indicates consult Customer Service Department for additional information.

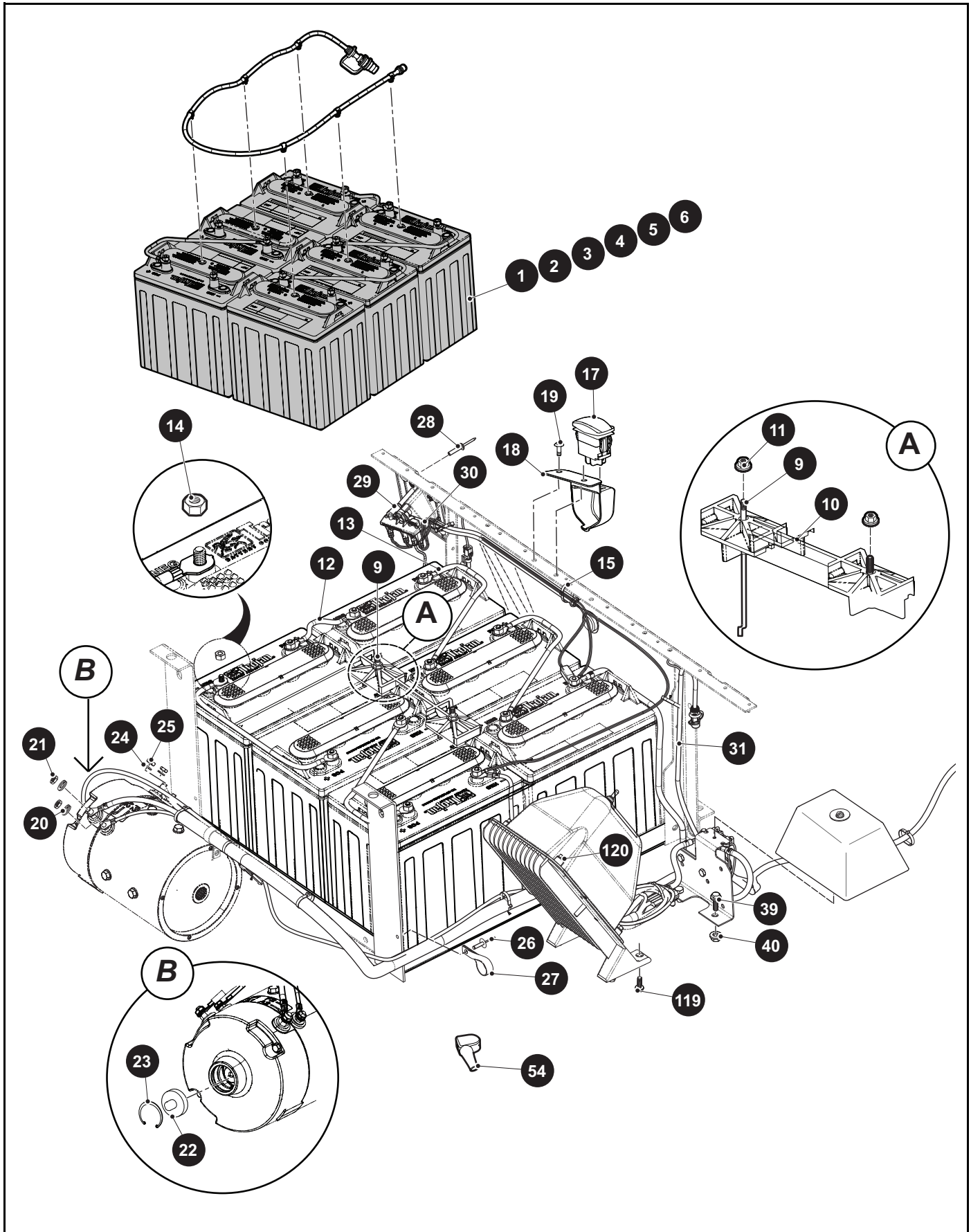
ITEM	PART NO.	1	2	3	4	5	DESCRIPTION	QTY.
63	612418						GEAR ADJUSTER (DRIVER SIDE).....	1
64	612417						GEAR ADJUSTER (PASSENGER SIDE).....	1
65								
66								
67	17083G2						HEX HEAD BOLT, 5/16" - 24 X 1" LG.....	8
68	15126G1						LOCK NUT, 5/16" - 24	8
69	15485G1						FLAT WASHER, 1/4"	2
70								
71	19186G1						BRAKE DRUM ASSEMBLY (INCLUDES ITEMS 72 & 73)	2
72	18500G2						BRAKE DRUM	1
73	19862G1						LUG BOLT, 1/2" - 20 X 1 3/16" LG	4
74								
75								
76	15487G1						FLAT WASHER, 1 3/8" O.D.....	2
77	612928						CASTELLATED NUT, 5/8" - 18.....	2
78	10387G1						COTTER PIN, 1/8" X 1 1/2" LG	2
79								
80	608200						BRAKE CABLE BRACKET (PASSENGER SIDE).....	1
81	608201						BRAKE CABLE BRACKET (DRIVER SIDE)	1
82								
83	70690G02						BRAKE PEDAL ASSEMBLY (WITH BRAKE LIGHTS) (INCLUDES ITEMS 84 - 110)	1
84	70686G02						BRAKE PEDAL	1
85	70611G02						PARK BRAKE PEDAL.....	1
86								
87	70257G01						SERVICE BRAKE PAD	1
88	70256G01						PARK BRAKE PAD	1
89	16409G1						OVAL RIVET, 3/16" X 7/16" LG.....	9
90								
91	70258G03						SERVICE BRAKE PEDAL PLATE	1
92	70682G01						PIVOT PIN	1
93	70681G01						TORSION SPRING	2

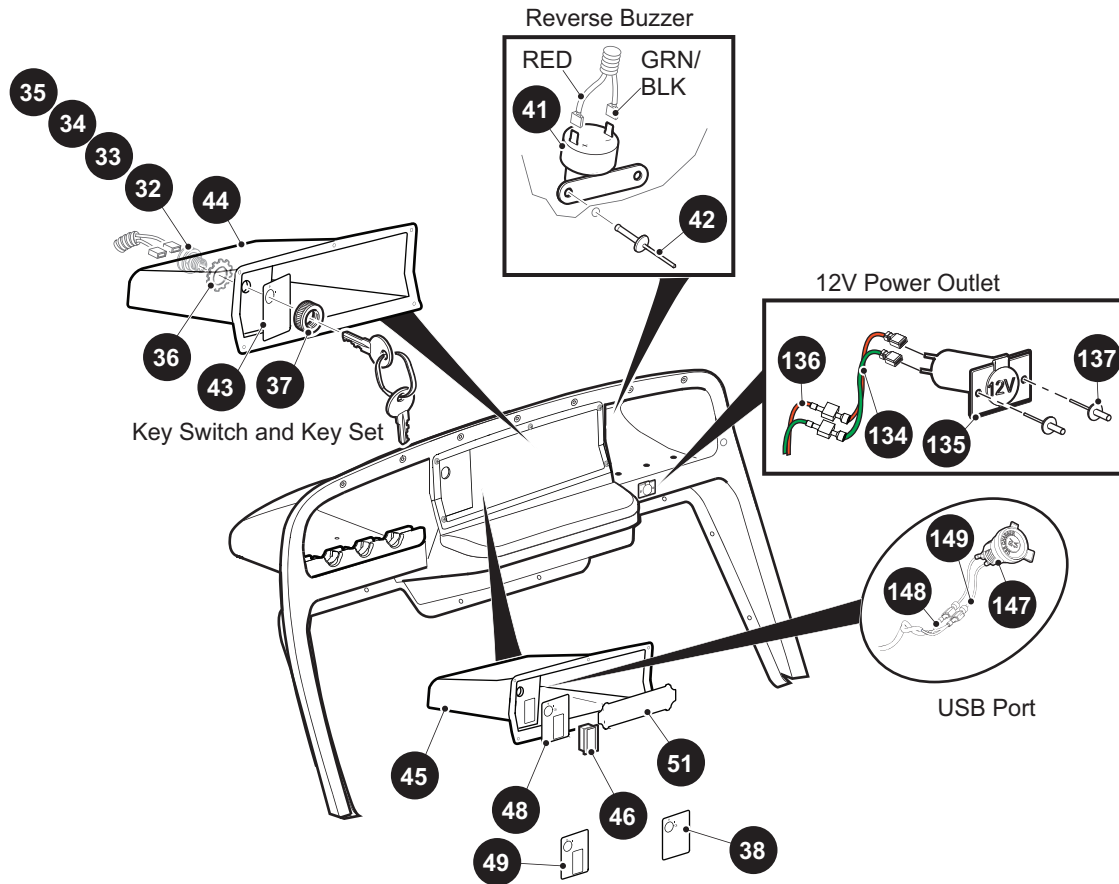
When ordering parts, please specify the model and serial number of the product.

* Indicates a component that is not available as an individual part.

*** Indicates consult Customer Service Department for additional information.

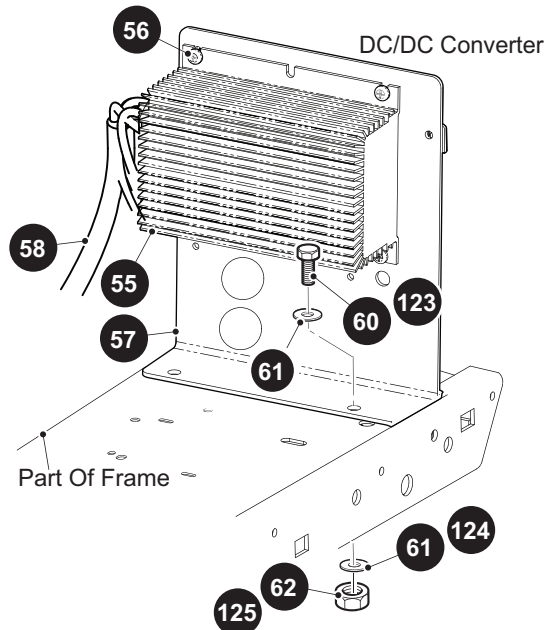
ITEM	PART NO.	1 2 3 4 5	DESCRIPTION	QTY.
94	01071G01		PUSHNUT, 5/16"	2
95	00737G8		PHILLIPS FLAT HEAD SCREW, #10 - 24 X 1" LG	4
96	00739G1		RUBBER NUT, #10 - 24	2
97	74535G01		BRAKE PEDAL STANDOFF.....	2
98	27137G01		CONICAL SPRING	2
99	14390G01		LOCK NUT, #10 - 24.....	2
100	10606G8		MICRO SWITCH	1
101	00645G2		PHILLIPS PAN HEAD SCREW, #6 - 32 X 1 1/4" LG	2
102	00559G5		FLAT WASHER, #10	2
103	00559G3		FLAT WASHER, #6	4
104	00565G3		LOCK WASHER, #6	2
105	00525G5		HEX NUT, #6 - 32	2
106	13514G1		PHILLIPS PAN HEAD SCREW WITH LOCK WASHER, #6.....	2
107	00642G8		FLAT WASHER, 5/16"	2
108	14628G1		FASTON TAB.....	2
109	24605G1		WIRE HARNESS, BRAKE LIGHT	1
110	17618G1		NYLON CLAMP.....	2
111	612558		COMPENSATOR ASSEMBLY (INCLUDES ITEMS 112 - 121).....	1
112	00532G4		HEX NUT.....	2
113	629486		HEX NUT, 5/16" - 24.....	1
114	28082G01		EQUALIZER BRACKET	1
115	15121G1		FLAT WASHER, 5/16"	2
116	17979G1		ACCELERATOR ROD BUSHING.....	1
117	23061G2		TUBE	1
118	23463G1		COMPRESSION SPRING	1
119	27330G01		BRAKE YOKE	1
120	11098G9		HEX LOCK NUT, 5/16" - 24.....	1
121	612557		COMPENSATOR ROD LINK.....	1





WARNING Failure to follow these instructions can result in **SERIOUS INJURY** or **DEATH**

Excess speed PREVENTS THE KEY FROM WORKING. NEVER drive up public roads. Drive on private roads in accordance with local laws. AVOID FALLS from the vehicle. Do not start driving until all occupants are PROPERLY SEATED and HOLDING ON. KEEP inside body INSIDE VEHICLE while moving. Reduce THE RISK OF ACCIDENTS. Always DRIVE SLOWLY in congested areas, on wet or loose terrain, and when driving up or down a SLOPE. ALWAYS use proper PROUD sudden stops. ALWAYS drive straight up and down slopes. Do not coast. USE BRAKE WHEN GOING DOWN A SLOPE. NEVER drive this vehicle under the influence of drugs or alcohol. Drive responsibly. NEVER allow children unattended or allow children to play in the vehicle. ALWAYS store the key in the vehicle when parked. NEVER carry more than 2 occupants on each bench seat. Do not exceed vehicle WEIGHT CAPACITY (see Owner's Guide). DO NOT OVERLOAD this vehicle. NEVER drive this vehicle to pressure level speeds above hourly specifications. ONLY authorized E-Z-GO dealers should alter the vehicle using approved parts. Alterations not approved or tested by E-Z-GO can create unsafe conditions and increase your chance of having an accident. ©2019



122 DC/DC CONVERTER KIT includes items 55 - 59, 123 - 125

ELECTRICAL

When ordering parts, please specify the model and serial number of the product.

* Indicates a component that is not available as an individual part.

*** Indicates consult Customer Service Department for additional information.

ITEM	PART NO.	1	2	3	4	5	DESCRIPTION	QTY.
1	***						BATTERY, 8V - T8V	6
2	***						BATTERY, 8V - T8V, HYDROLINK	6
3	***						BATTERY, US, 8V	6
4	***						BATTERY, US, 8V, FLOWRITE	6
5	***						BATTERY, 8V - T890, HYDROLINK	6
6	***						BATTERY, 8V - T890	6
7								
8								
9	01101G01						HOLD DOWN BOLT (SS), 5/16" - 18	2
10	612867						BATTERY RETAINER	1
11	11027G1						LOCK NUT, 5/16" - 18	2
12	613236						6 AWG WIRE, BLUE, 380MM (15").....	4
13	613237						6 AWG WIRE, BLUE, 150MM (5.90").....	1
14	00702G2						HEX NUT, 5/16" - 18.....	12
15	17618G1						NYLON CLAMP	AR
16								
17	624514G01						FNR SWITCH	1
18	628027						FNR SWITCH HOLDER	1
19	18436G1						PLASTIC RIVET	2
20	00993G01						LOCK WASHER, SILICON BRONZE, 5/16"	2
21	28418G01						HEX NUT, 5/16" - 18, BRASS.....	2
22	620422						SPEED SENSOR, 48V	1
23	73277G01						RETAINING RING	1
24	00993G02						LOCK WASHER, SILICON BRONZE, 1/4"	2
25	28418G02						FLANGED LOCK NUT, 1/4" - 20	2
26	10570G11						RIVET (SS), 3/16" X 0.70"	1
27	27327G02						TWISTED CABLE CLAMP	1
28	71055G01						RIVET, 3/16" (ALUMINUM).....	4
29	613304						CHARGER RECEPTACLE, DELTA - Q, 48V	1
30	*						CHARGER HARNESS.....	1
31	625805						MAIN HARNESS, 48V	1

When ordering parts, please specify the model and serial number of the product.

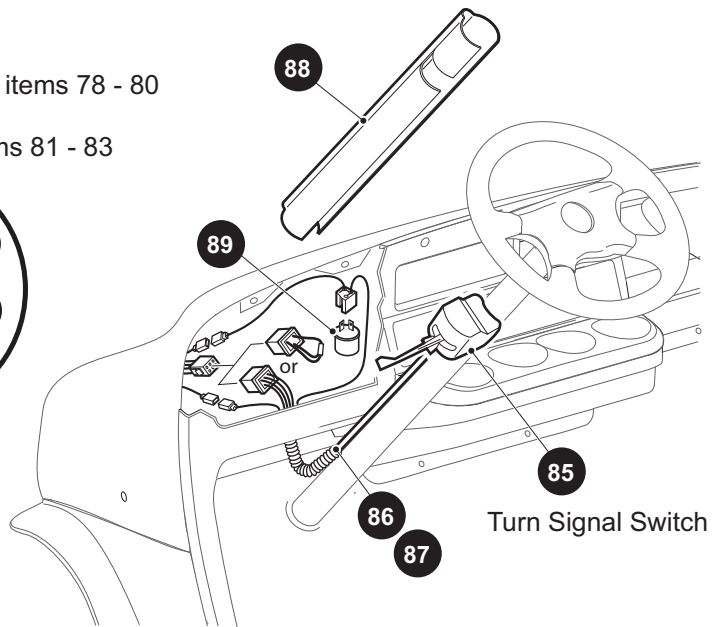
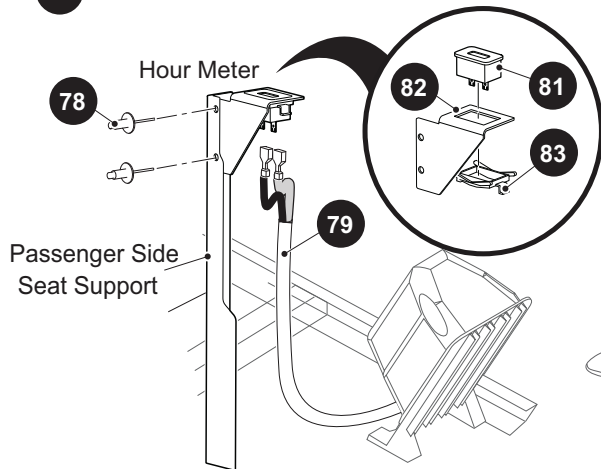
* Indicates a component that is not available as an individual part.

*** Indicates consult Customer Service Department for additional information.

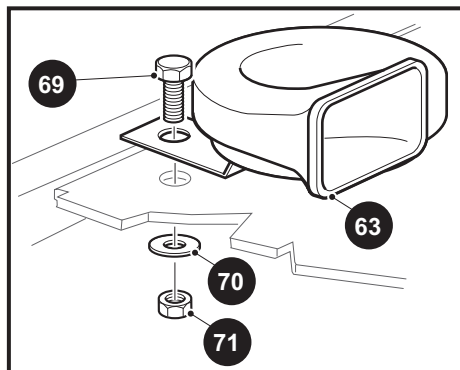
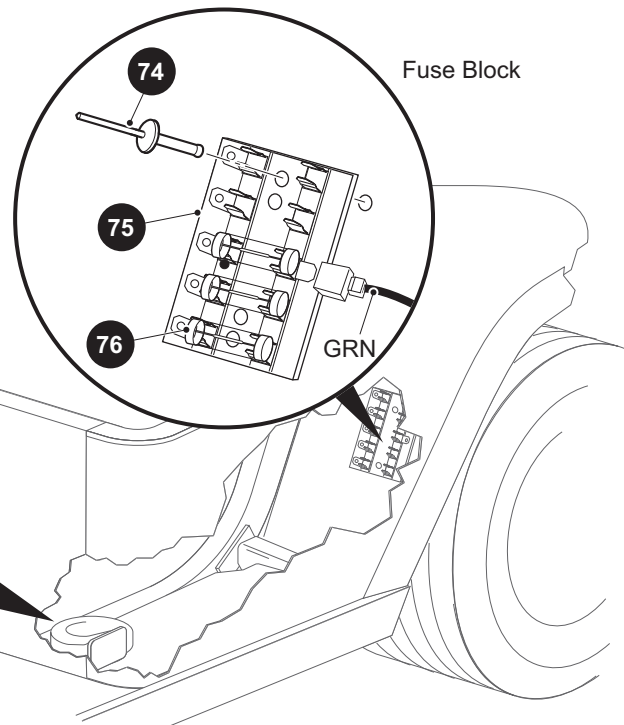
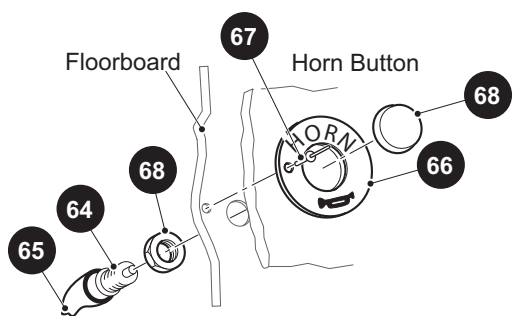
ITEM	PART NO.	1 2 3 4 5	DESCRIPTION	QTY.
32	18027G1		KEY SWITCH (WITHOUT LIGHTS - INDIVIDUALLY KEYED).....	1
33	33639GXX		KEY SWITCH (WITH LIGHTS)	1
34	18602G1		KEY SWITCH.....	1
35	17955G1		KEY SWITCH (GROUP KEYS).....	1
36	00568G6		LOCK WASHER, 3/4"	1
37	17137G1		FACE NUT, 3/4" - 20	1
38	625242		DECAL, CENTER COMPARTMENT WITH LIGHTS	1
39	00438G6		HEX HEAD CAP BOLT, 5/16" - 18 X 3/4" LG.....	2
40	11027G1		FLANGED HEX NUT, 5/16" - 18	2
41	613271		REVERSE WARNING BUZZER (CONTINUOUS TONE).....	1
42	01041G01		RIVET, 5/32" DIA.....	2
43	625267		DECAL, CENTER COMPARTMENT, KEY SWITCH, ON - OFF	1
44	628022		CENTER COMPARTMENT	1
45	631104		CENTER COMPARTMENT WITH SOC	1
46	33636G05		STATE OF CHARGE METER (SOC).....	1
47	25978G74		WIRE ASSEMBLY, RED, #18 (NOT ILLUSTRATED)	1
48	625243		DECAL, CENTER COMPARTMENT WITH LIGHTS AND SOC	1
49	625268		DECAL, CENTER COMPARTMENT, ON - OFF AND SOC.....	1
50	74018G01		SOC HARNESS (NOT ILLUSTRATED).....	1
51	625224		CENTER COMPARTMENT DIVIDER	1
52	628019		SAFETY LABEL, PVT CONSOLE	1
53				
54	606947		BATTERY TERMINAL COVER	6
55	604884		DC/DC CONVERTER.....	1
56	632372		TAPPING SCREW, #10 - 32 X 3/4" LG	4
57	633303		DC/DC CONVERTER BRACKET	1
58	605888		DC/DC CONVERTER HARNESS	1
59	16816G5		RATCHET RIVET, 0.187" X 0.550 (NOT ILLUSTRATED).....	1
60	00414G6		HEX HEAD CAP BOLT, 1/4" - 20 X 3/4" LG.....	2
61	00559G7		FLAT WASHER, 1/4"	4
62	00891G2		LOCK NUT, 1/4" - 20.....	2

77 HOUR METER ASSEMBLY KIT includes items 78 - 80

80 HOUR METER ASSEMBLY includes items 81 - 83

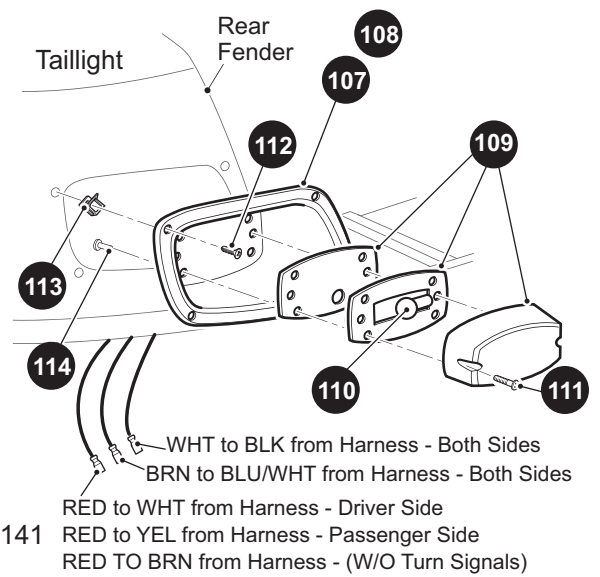
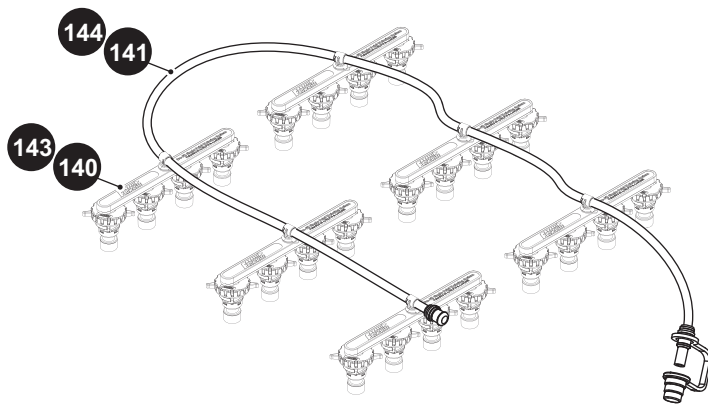
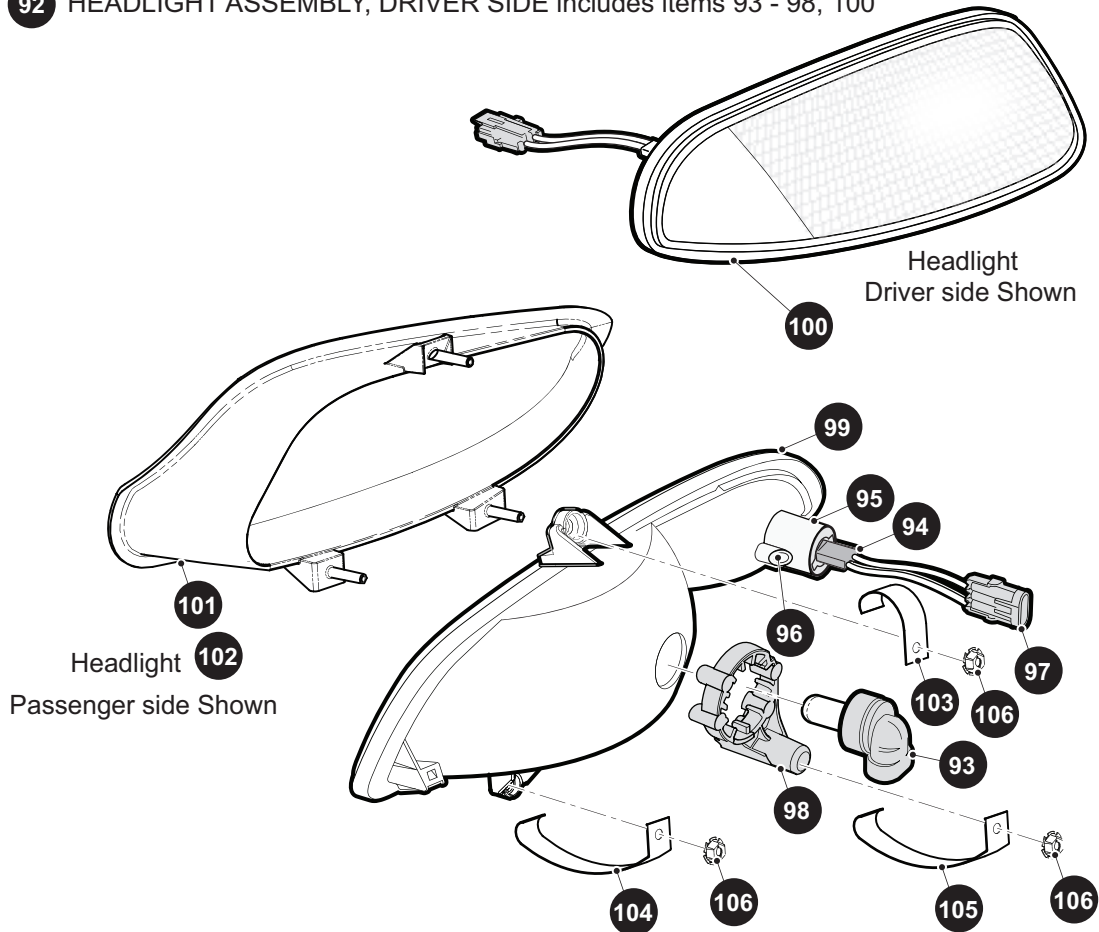


84 TURN SIGNAL SWITCH KIT includes items 85 - 89



Horn

- 91** HEADLIGHT ASSEMBLY, PASSENGER SIDE includes items 93 - 99
- 92** HEADLIGHT ASSEMBLY, DRIVER SIDE includes items 93 - 98, 100



- 139** BATTERY FILL SYSTEM (TROJAN) includes items 140 - 141
- 142** BATTERY FILL SYSTEM (US BAT) includes items 143 - 144
- 109** TAILLIGHT ASSEMBLY includes item 110

ELECTRICAL

When ordering parts, please specify the model and serial number of the product.

* Indicates a component that is not available as an individual part.

*** Indicates consult Customer Service Department for additional information.

ITEM	PART NO.	1	2	3	4	5	DESCRIPTION	QTY.
63	32860G1						HORN	1
64	17318G1						HORN MOMENTARY SWITCH.....	1
65	27068G01						HORN SWITCH BOOT.....	1
66	608397						HORN PLATE	1
67	71055G01						RIVET, 3/16" X 1" LG (ALUMINUM)	2
68	17318G2						HORN SWITCH CAP AND NUT	1
69	00414G5						HEX HEAD CAP BOLT, 1/4" - 20 X 5/8" LG	1
70	00559G7						FLAT WASHER, 1/4"	1
71	14390G4						LOCK NUT, 1/4" - 20	1
72								
73								
74	01041G01						RIVET, 5/32" DIA	2
75	22674G1						FUSE BLOCK.....	1
76	18392G1						FUSE, 15 AMP	3
77	75113G02						HOUR METER ASSEMBLY KIT ((INCLUDES ITEMS 78 - 80)).....	1
78	10570G11						RIVET (SS), 3/16" X 0.70.....	2
79	75117G01						HOUR METER HARNESS.....	1
80	74720G01						HOUR METER ASSEMBLY (INCLUDES ITEMS 81 - 83).....	1
81	620133						HOUR METER	1
82	74716G01						BRACKET.....	1
83	74696G01						RETAINER CLIP.....	1
84	75107G02						TURN SIGNAL SWITCH KIT (INCLUDES ITEMS 85 - 89).....	1
85	17867G1						TURN SIGNAL SWITCH ASSEMBLY.....	1
86	32307G3						FLEX LOOM, 3/8" X 8" LG.....	1
87	17618G1						NYLON CLAMP	2
88	20965G3						STEERING COLUMN COVER	1
89	21640G1						FLASHER UNIT	1
90								
91	602928						HEADLIGHT ASSEMBLY (PASSENGER SIDE) (INCLUDES ITEMS 93 - 99).....	1
92	603328						HEADLIGHT ASSEMBLY (DRIVER SIDE) (INCLUDES ITEMS 93 - 98, 100)	1
93	74004G01						HEADLIGHT BULB	1

When ordering parts, please specify the model and serial number of the product.

* Indicates a component that is not available as an individual part.

*** Indicates consult Customer Service Department for additional information.

ITEM	PART NO.	1 2 3 4 5	DESCRIPTION	QTY.
94	604539		TURN SIGNAL BULB	1
95	*		BULB RETAINER	1
96	608328		BUTTON HEAD TORX SCREW, M3 - 1.3 X 14	1
97	607487		TURN SIGNAL WIRE HARNESS.....	1
98	615459		COLLAR	1
99	*		HEADLAMP W/O BULBS (PASSENGER SIDE).....	1
100	*		HEADLAMP W/O BULBS (DRIVER SIDE)	1
101	625280		HEADLAMP BEZEL (DRIVER SIDE).....	1
102	625281		HEADLAMP BEZEL (PASSENGER SIDE).....	1
103	626275		CLIP	2
104	626276		CLIP	2
105	626277		CLIP	2
106	71597G01		SELF THREADING NUT, 5 X 10 X 15MM	6
107	625251		TAILLIGHT BEZEL (DRIVER SIDE)	1
108	625252		TAILLIGHT BEZEL (PASSENGER SIDE).....	1
109	22288G1		TAILLIGHT ASSEMBLY (INCLUDES ITEM 95).....	2
110	21759G1		TAILLIGHT BULB	1
111	00513G4		PHILLIPS PAN HEAD SCREW, #8 X 1.5" LG.....	4
112	71425G01		TAPPING SCREW, #8 - 18 X 0.75.....	8
113	71364G02		"J" SPEED NUT, #8.....	8
114	14601G11		RIVET, 3/16" X 9/16" LG	4
115				
116				
117				
118				
119	71102G01		HEX HEAD CAP BOLT, 1/4" - 20 X 3/4" LG.....	4
120	71102G03		HEX HEAD CAP BOLT, 1/4" - 20 X 1.15" LG.....	4
121				
122	605967		DC/DC CONVERTER KIT (INCLUDES ITEMS 55 - 59, 123 - 125).....	1
123	00438G6		HEX HEAD CAP BOLT, 5/16" -18 X 3/4" LG	2
124	01110G01		FLAT WASHER, 1/4"	2

ELECTRICAL

When ordering parts, please specify the model and serial number of the product.

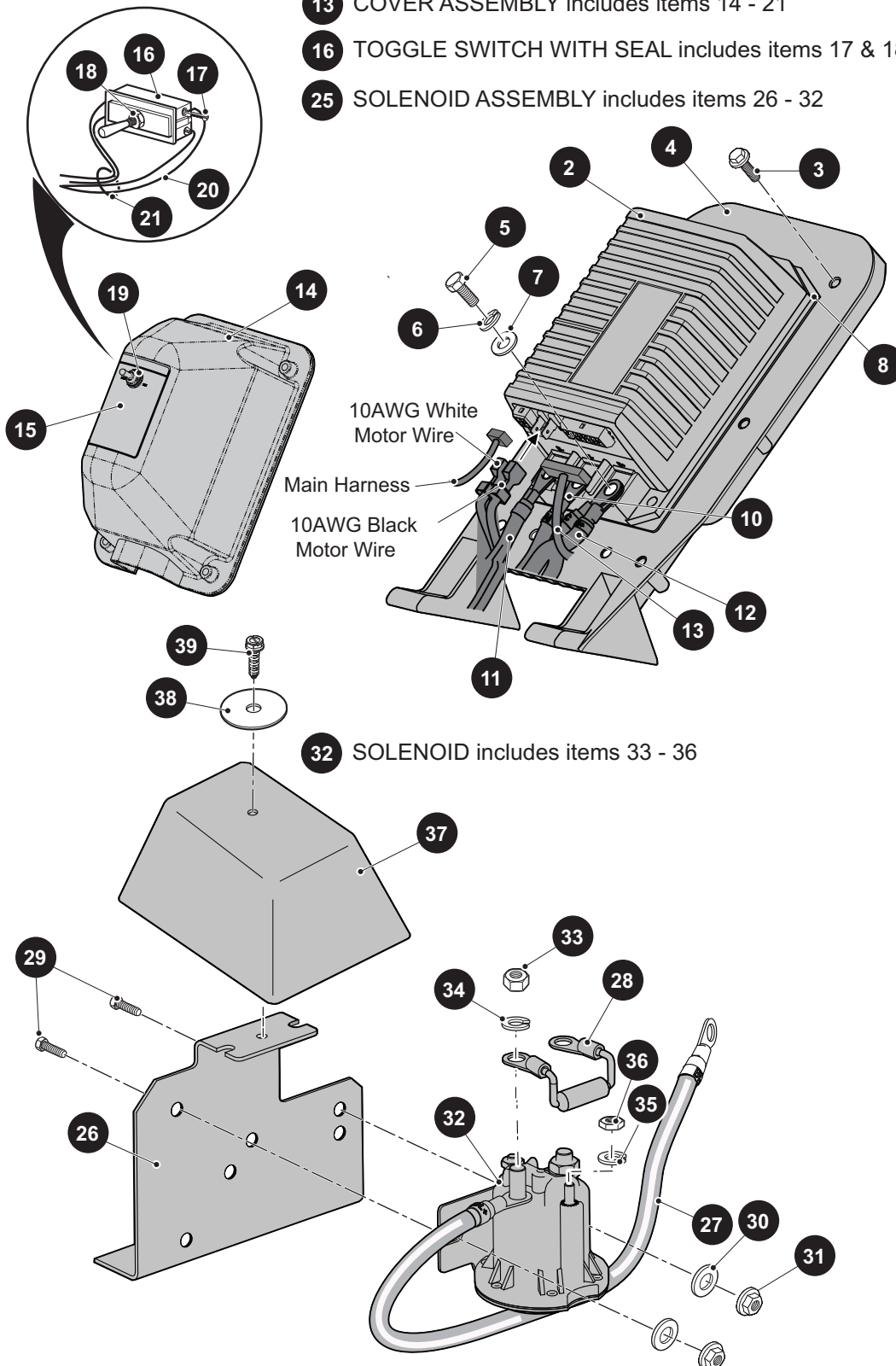
* Indicates a component that is not available as an individual part.

*** Indicates consult Customer Service Department for additional information.

ITEM	PART NO.	1	2	3	4	5	DESCRIPTION	QTY.
125	11098G6						LOCK NUT, 5/16" - 18.....	2
126								
127	31539G1						NYLON CLAMP (NOT ILLUSTRATED).....	AR
128	625806						ACCESSORY HARNESS (NOT ILLUSTRATED).....	1
129	634271						SOC JUMPER HARNESS (NOT ILLUSTRATED)	1
130	634272						REVERSE BUZZER JUMPER HARNESS (NOT ILLUSTRATED).....	1
131								
132								
133								
134	634277						JUMPER HARNESS, 12V POWER OUTLET	1
135	71078G01						12V POWER OUTLET	1
136	633988						HARNESS, 12V POWER OUTLET	1
137	71055G01						RIVET, 3/16 DIA	2
138								
139	632275						BATTERY FILL SYSTEM (TROJAN) (INCLUDES ITEMS 140 - 141).....	1
140	632278						MANIFOLD, 8V, TWIST-IN.....	6
141	614457						SNAKE, HYDROLINK.....	1
142	632276						BATTERY FILL SYSTEM (US BAT) (INCLUDES ITEMS 143 - 144)	1
143	632277						MANIFOLD, 8V, TWIST-IN.....	6
144	614457						SNAKE, HYDROLINK.....	1
145								
146								
147	633680						USB CHARGER PORT, 5V, 1A	1
148	633682						HARNESS, USB CHARGER.....	1
149	634276						USB JUMPER HARNESS	1

ELECTRONIC SPEED CONTROL

- 1 ELECTRONIC SPEED CONTROL ASSEMBLY includes items 2 - 13
- 13 COVER ASSEMBLY includes items 14 - 21
- 16 TOGGLE SWITCH WITH SEAL includes items 17 & 18
- 25 SOLENOID ASSEMBLY includes items 26 - 32



ELECTRONIC SPEED CONTROL

When ordering parts, please specify the model and serial number of the product.

* Indicates a component that is not available as an individual part.

*** Indicates consult Customer Service Department for additional information.

ITEM	PART NO.	1 2 3 4 5	DESCRIPTION	QTY.
1	612756		ELECTRONIC SPEED CONTROL ASSEMBLY, 48V (INCLUDES ITEMS 2 - 13)	1
2	612632		CONTROLLER, 48V.....	1
3	71102G01		HEX HEAD WASHER BOLT, 1/4" - 20 X 3/4" LG	3
4	73471G01		HEAT SINK.....	1
5	73296G01		HEX HEAD BOLT, 8MM X 16MM	3
6	00565G8		LOCK WASHER, 5/16"	3
7	00559G8		FLAT WASHER, 5/16"	3
8	73190G01		THERMAL MOUNTING PAD.....	1
9	31539G1		NYLON CLAMP (NOT ILLUSTRATED).....	1
10	617612		POWER WIRE HARNESS, DC	1
11	620437		6 AWG BLUE WIRE, 675MM	1
12	620432		6 AWG GREEN WIRE, 400MM	1
13	612753		COVER ASSEMBLY (INCLUDES ITEMS 14 - 21).....	1
14	73482G01		COVER (WITH GASKET)	1
15	613048		LABEL (TOW SWITCH)	1
16	73125G01		TOGGLE SWITCH WITH SEAL (INCLUDES ITEMS 17 & 18).....	1
17	*		BINDING HEAD SCREW, #5 - 40	4
18	*		HEX NUT, 15/32" - 32.....	1
19	73139G01		SEALED NUT, 15/32" - 32	1
20	73138G02		WIRE HARNESS (TOW SWITCH)	1
21	17618G1		WIRE TIE	1
22				
23				
24				
25	613104		SOLENOID ASSEMBLY (INCLUDES ITEMS 26 - 32).....	1
26	73057G01		BRACKET.....	1
27	607592		4AWG GREEN WIRE ASSEMBLY, 28"	1
28	620430		RESISTER ASSEMBLY 500 OHM	1
29	00414G5		HEX HEAD BOLT 1/4" - 20 X 5/8" LG	2
30	01110G01		FLAT WASHER, 1/4"	2

ELECTRONIC SPEED CONTROL

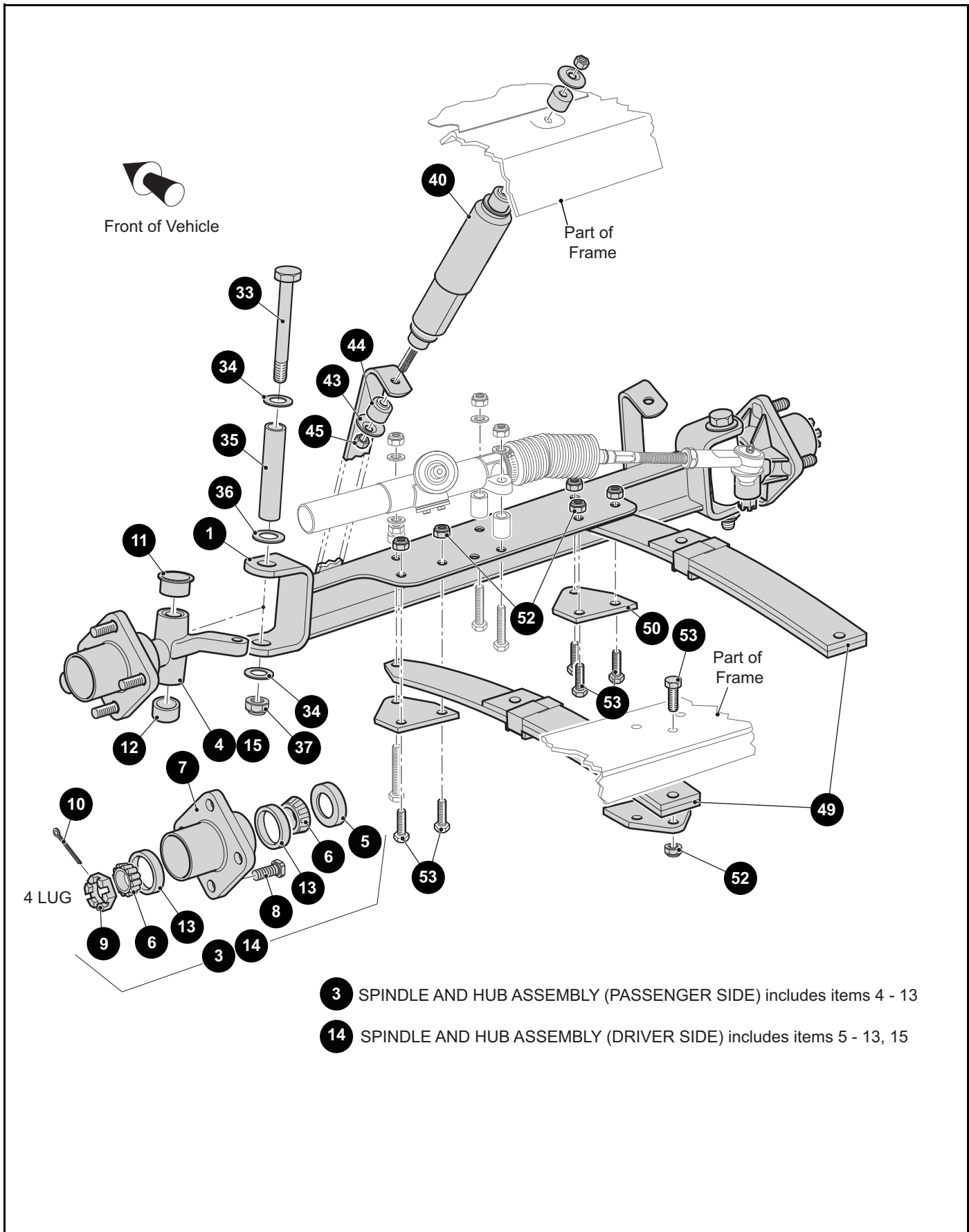
When ordering parts, please specify the model and serial number of the product.

* Indicates a component that is not available as an individual part.

*** Indicates consult Customer Service Department for additional information.

ITEM	PART NO.	1	2	3	4	5	DESCRIPTION	QTY.
31	11027G2						FLANGED NUT, 1/4" - 20.....	2
32	612711						SOLENOID, 48V (INCLUDES ITEMS 33 - 36)	1
33	00544G4						LOCK NUT, 5/16" - 24	2
34	00565G8						LOCK WASHER, 5/16"	2
35	00565G5						LOCK WASHER, #10	2
36	00526G4						LOCK NUT, #10 - 32.....	2
37	73049G01						COVER.....	1
38	16469G1						FLAT FENDER WASHER, 1/4"	1
39	00114G6						HEX HEAD WASHER BOLT, 1/4" - 14 X 3/4" LG.....	1

FRONT SUSPENSION AND STEERING

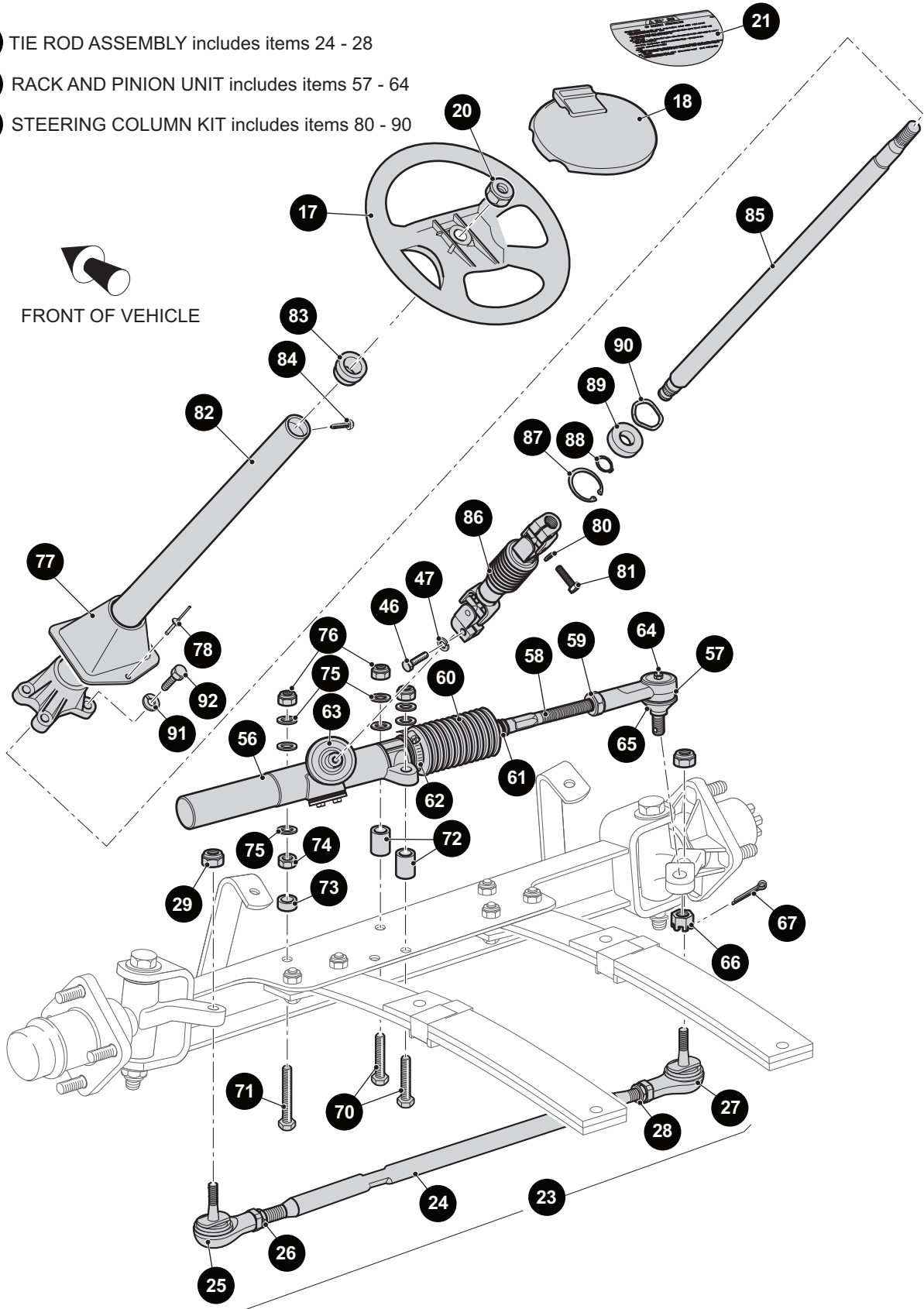


FRONT SUSPENSION AND STEERING

23 TIE ROD ASSEMBLY includes items 24 - 28

56 RACK AND PINION UNIT includes items 57 - 64

79 STEERING COLUMN KIT includes items 80 - 90



FRONT SUSPENSION AND STEERING

When ordering parts, please specify the model and serial number of the product.

* Indicates a component that is not available as an individual part.

*** Indicates consult Customer Service Department for additional information.

ITEM	PART NO.	1 2 3 4 5	DESCRIPTION	QTY.
1	602513		FRONT AXLE	1
2				
3	70942G03		SPINDLE AND HUB ASSEMBLY, 4 LUG (PASSENGER SIDE) (INCLUDES ITEMS 4 - 13).....	1
4	70940G02		SPINDLE ASSEMBLY (PASSENGER SIDE).....	1
5	25146G1		GREASE SEAL	1
6	11750G2		ROLLER BEARING.....	2
7	70589G01		WHEEL HUB.....	1
8	19862G1		LUG BOLT, 1/2" - 20 X 1 3/16" LG	4
9	12093G1		CASTELLATED NUT, 1" - 14	1
10	00798G8		COTTER PIN, 5/32" X 1 3/4" LG.....	1
11	70648G01		FLANGED BEARING	1
12	70749G01		BEARING	1
13	51141G1		RACE BEARING	2
14	70673G03		SPINDLE AND HUB ASSEMBLY, 4 LUG (DRIVER SIDE) (INCLUDES ITEMS 5 - 13, 15).....	1
15	70742G02		SPINDLE ASSEMBLY (DRIVER SIDE)	1
16				
17	602979		STEERING WHEEL	1
18	607925		CLIPBOARD	1
19				
20	14390G2		LOCK NUT, 5/8" - 18	1
21	608529		WARNING LABEL	1
22				
23	70876G02		TIE ROD ASSEMBLY (INCLUDES ITEMS 24 - 28).....	1
24	70897G02		THREADED ROD, 24" LG	1
25	70902G01		TIE ROD END (LEFT HAND THREADS)	1
26	01069G01		JAM NUT, M12 X 1.25 (LEFT HAND THREADS).....	1
27	70902G02		TIE ROD END (RIGHT HAND THREADS).....	1
28	01069G02		JAM NUT, M12 X 1.25 (RIGHT HAND THREADS).....	1
29	00734G1		LOCK NUT, 7/16" - 14	2
30				

FRONT SUSPENSION AND STEERING

When ordering parts, please specify the model and serial number of the product.

* Indicates a component that is not available as an individual part.

*** Indicates consult Customer Service Department for additional information.

ITEM	PART NO.	1 2 3 4 5	DESCRIPTION	QTY.
31				
32				
33	00407G6		HEX HEAD BOLT 1/2" - 13 X 6" LG.....	2
34	00560G3		WASHER, 1/2".....	4
35	70745G01		KING PIN TUBE.....	2
36	70754G01		THRUST WASHER (SS), 1".....	2
37	14390G6		LOCK NUT, 1/2" - 13.....	2
38				
39				
40	76419G01		SHOCK ABSORBER.....	2
41				
42				
43	10435G1		SHOCK ABSORBER WASHER.....	8
44	10194G1		RUBBER BUSHING.....	8
45	00532G6		HEX NUT, 3/8" - 24.....	4
46	01055G01		HEX HEAD SCREW, M8 X 1.25 LG.....	1
47	00565G8		LOCK WASHER, 5/16".....	1
48				
49	70990G03		LEAF SPRING (SEE PART NUMBER ON SPRING).....	2
50	70163G03		SPRING PLATE.....	4
51				
52	00734G1		LOCK NUT, 7/16" - 14.....	11
53	00463G11		HEX HEAD BOLT, 7/16" - 14 X 1 3/4" LG.....	11
54				
55				
56	70964G01		RACK AND PINION UNIT (COMPLETE) (INCLUDES ITEMS 57 - 64).....	1
57	70695G01		RACK BALL JOINT.....	1
58	*		RACK EXTENSION.....	1
59	*		JAM NUT, 1/2" - 20.....	1
60	70961G01		RACK BOOT.....	1
61	12416G2		WIRE TIE.....	1

FRONT SUSPENSION AND STEERING

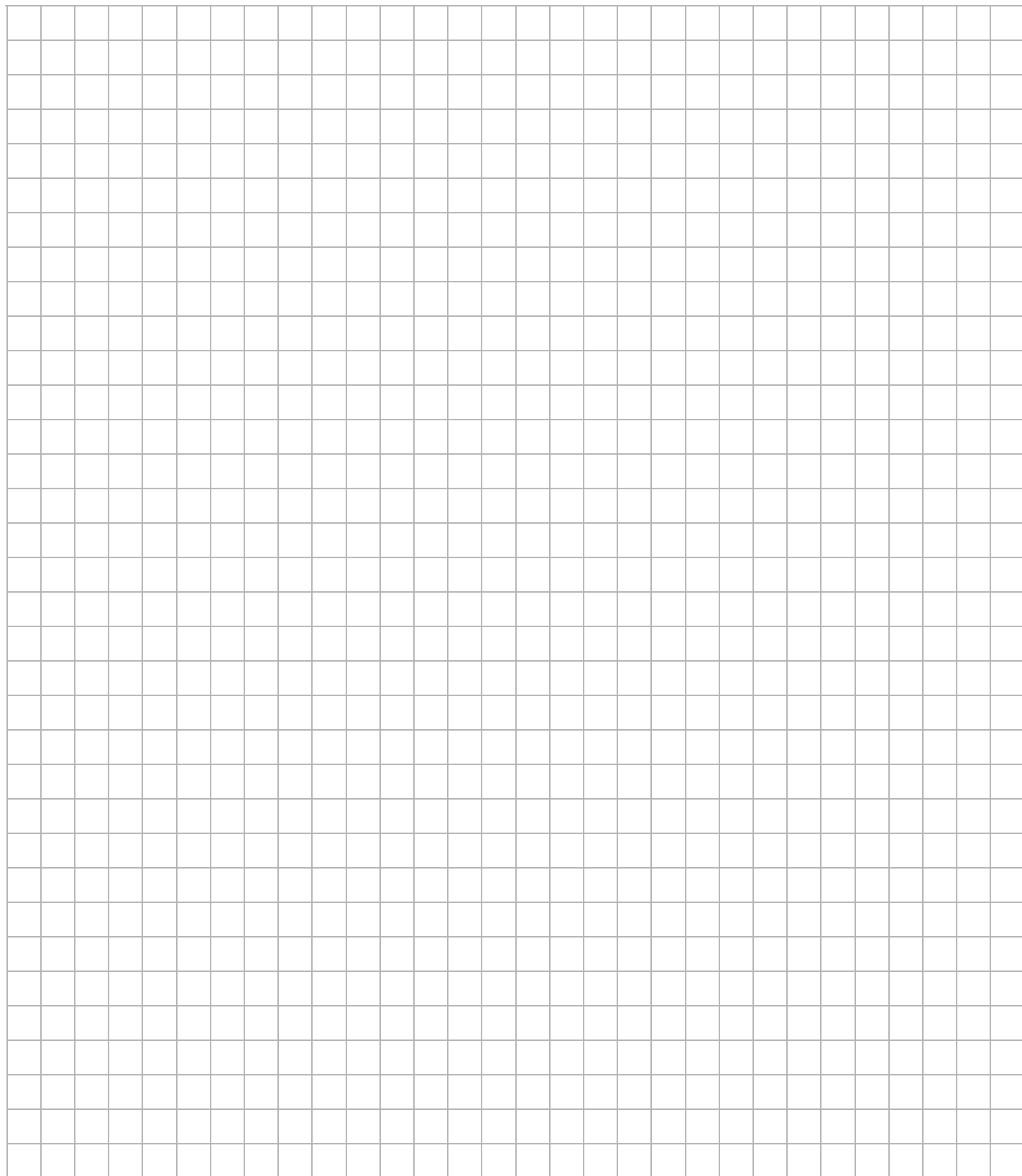
When ordering parts, please specify the model and serial number of the product.

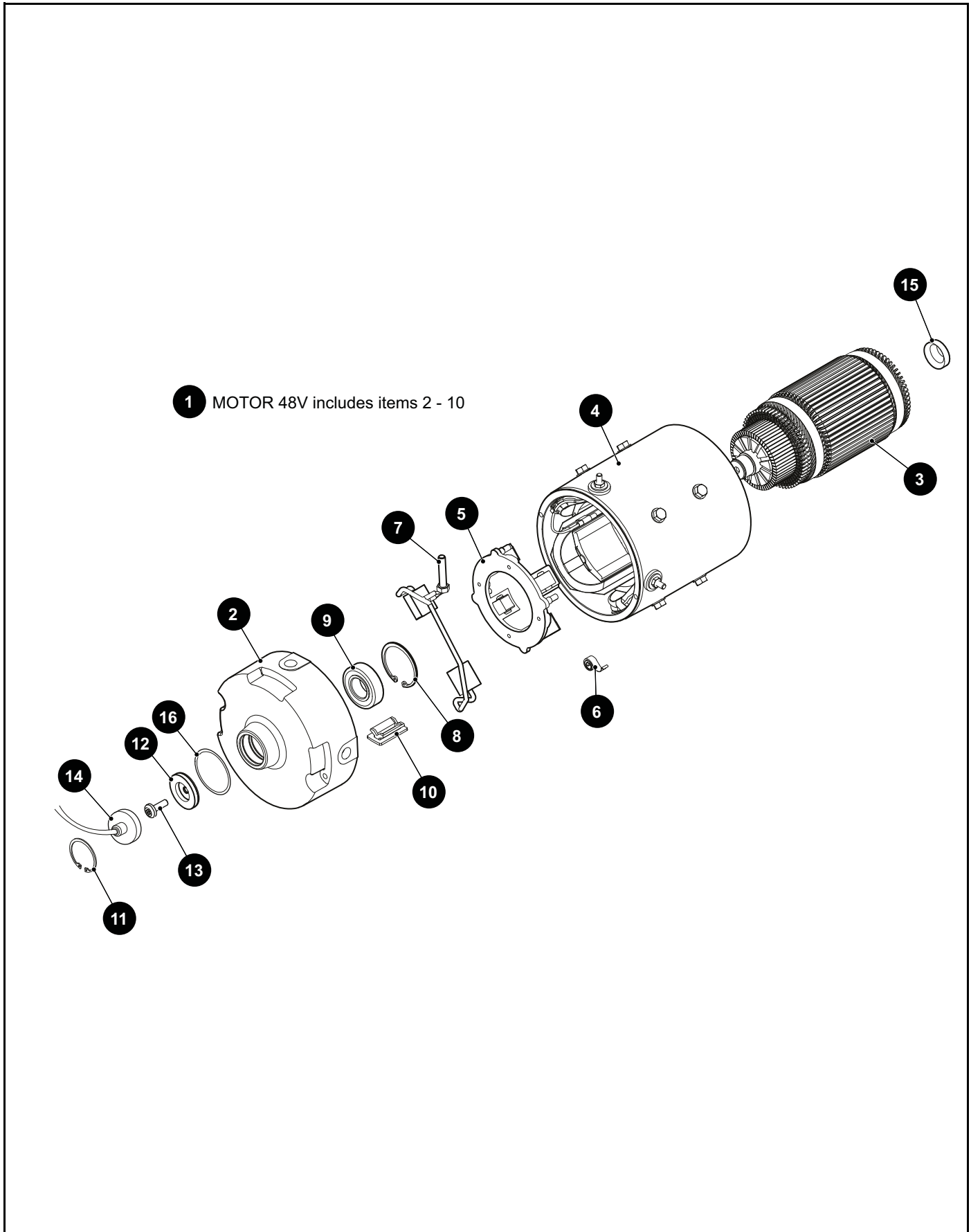
* Indicates a component that is not available as an individual part.

*** Indicates consult Customer Service Department for additional information.

ITEM	PART NO.	1 2 3 4 5	DESCRIPTION	QTY.
62	11391G8		CLAMP, 1 13/16 - 2 3/8"	1
63	70638G01		PINION SEAL.....	1
64	10389G3		GREASE FITTING, STRAIGHT	1
65	50641G1		RUBBER BOOT	1
66	50209G2		CASTELLATED NUT, 7/16" - 20.....	1
67	10387G2		COTTER PIN, 3/32" X 1" LG	1
68				
69				
70	00464G6		HEX HEAD BOLT, 7/16" - 14 X 2 3/4" LG.....	2
71	01068G01		HEX HEAD BOLT, 7/16" - 14 X 3 1/2" LG.....	1
72	70667G02		SPACER, 1.21"	2
73	70667G04		SPACER (SHORT), 0.69"	1
74	00532G7		HEX NUT, 7/16" - 14	1
75	00560G2		FLAT WASHER, 7/16"	7
76	00734G1		LOCK NUT, 7/16" - 14	3
77	70997G01		COVER.....	1
78	71055G01		RIVET, 3/16" X 1" LG (ALUMINUM)	1
79	70758G05		STEERING COLUMN KIT (INCLUDES ITEMS 80 - 90)	1
80	00565G8		LOCK WASHER, 5/16"	1
81	01055G01		HEX HEAD SCREW, M8 X 1.25 LG	1
82	70610G03		STEERING COLUMN	1
83	28569G01		STEERING COLUMN BUSHING.....	1
84	01022G01		SCREW, #6 - 20 X 5/16" LG	1
85	70607G01		STEERING SHAFT	1
86	70580G01		INTERMEDIATE SHAFT	1
87	70751G01		RETAINING RING (INTERNAL).....	1
88	70888G01		RETAINING RING (EXTERNAL)	1
89	15112G1		BALL BEARING	1
90	70887G01		WAVE WASHER	1
91	00879G1		LOCK WASHER, 3/8"	4
92	01006G01		HEX HEAD BOLT, 3/8" - 16 X 1 1/4" LG.....	4

Notes:

A large grid of 20 columns and 20 rows for taking notes. The grid is composed of small squares, providing a structured area for handwritten information.



When ordering parts, please specify the model and serial number of the product.

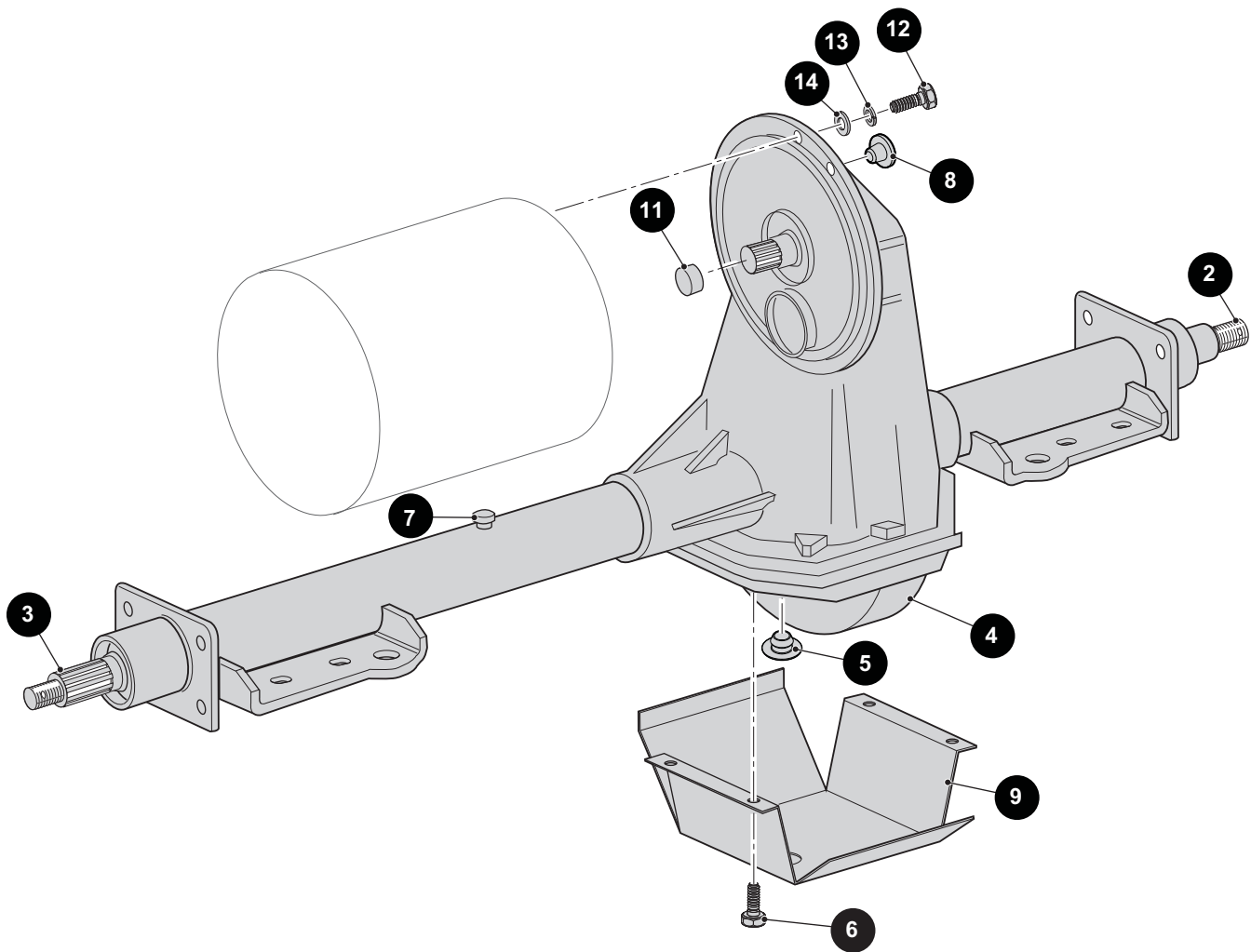
* Indicates a component that is not available as an individual part.

*** Indicates consult Customer Service Department for additional information.

ITEM	PART NO.	1 2 3 4 5	DESCRIPTION	QTY.
1	624105		MOTOR 48V (INCLUDES ITEMS 2 - 10).....	1
2	625886		COMMUTATOR END HEAD	1
3	626171		ARMATURE.....	1
4	626172		FRAME AND FIELD ASSEMBLY	1
5	625884		BRUSH BOX ASSEMBLY	1
6	73120G03		BRUSH SPRING	4
7	73120G25		BRUSH AND TERMINAL SERVICE KIT	1
8	73120G06		RETAINING RING	1
9	73120G07		BEARING	1
10	625885		COVER.....	1
11	73277G01		RETAINING RING, 1.66"	1
12	73328G01		SPEED SENSOR MAGNET	1
13	01037G02		PAN HEAD TORX SCREW, #10-32 X 1/2" LG	1
14	620422		SPEED SENSOR HARNESS	1
15	24261G1		BUMPER SPLINE	1
16	624109		O-RING, 1 1/2" O.D X 1 3/8" I.D.....	1

REAR AXLE

1 REAR AXLE ASSEMBLY includes items 2 - 7



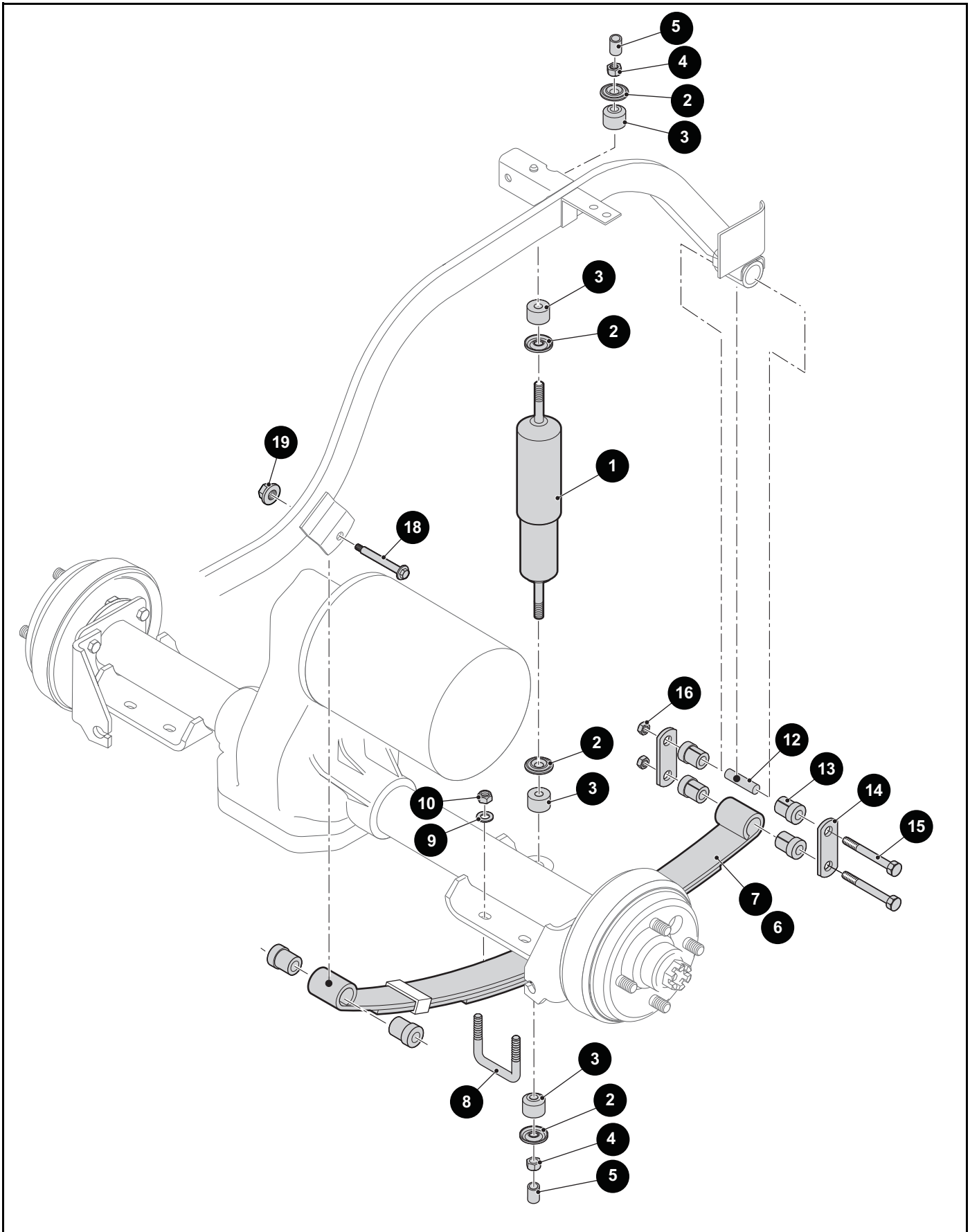
When ordering parts, please specify the model and serial number of the product.

* Indicates a component that is not available as an individual part.

*** Indicates consult Customer Service Department for additional information.

ITEM	PART NO.	1 2 3 4 5	DESCRIPTION	QTY.
1	73500G01		REAR AXLE ASSEMBLY (INCLUDES ITEMS 2 - 7)	1
2	614209		AXLE SHAFT (PASSENGER SIDE).....	1
3	614208		AXLE SHAFT (DRIVER SIDE)	1
4	620348		DIFFERENTIAL COVER	1
5	620347		RUBBER PLUG	1
6	15558G1		FLANGED BOLT, 5/16" - 18 X 3/4" LG	10
7	73050G01		VENT	1
8	624110		PLUG	3
9	72763G02		SCUFF GUARD	1
10				
11	24261G1		SPLINE BUMPER (SEE ELECTRIC MOTOR)	1
12	00797G2		HEX HEAD BOLT, 1/4" - 20 X 1 1/4" LG	3
13	00664G7		LOCK WASHER, 1/4"	3
14	01110G01		FLAT WASHER 1/4"	3

REAR SUSPENSION



REAR SUSPENSION

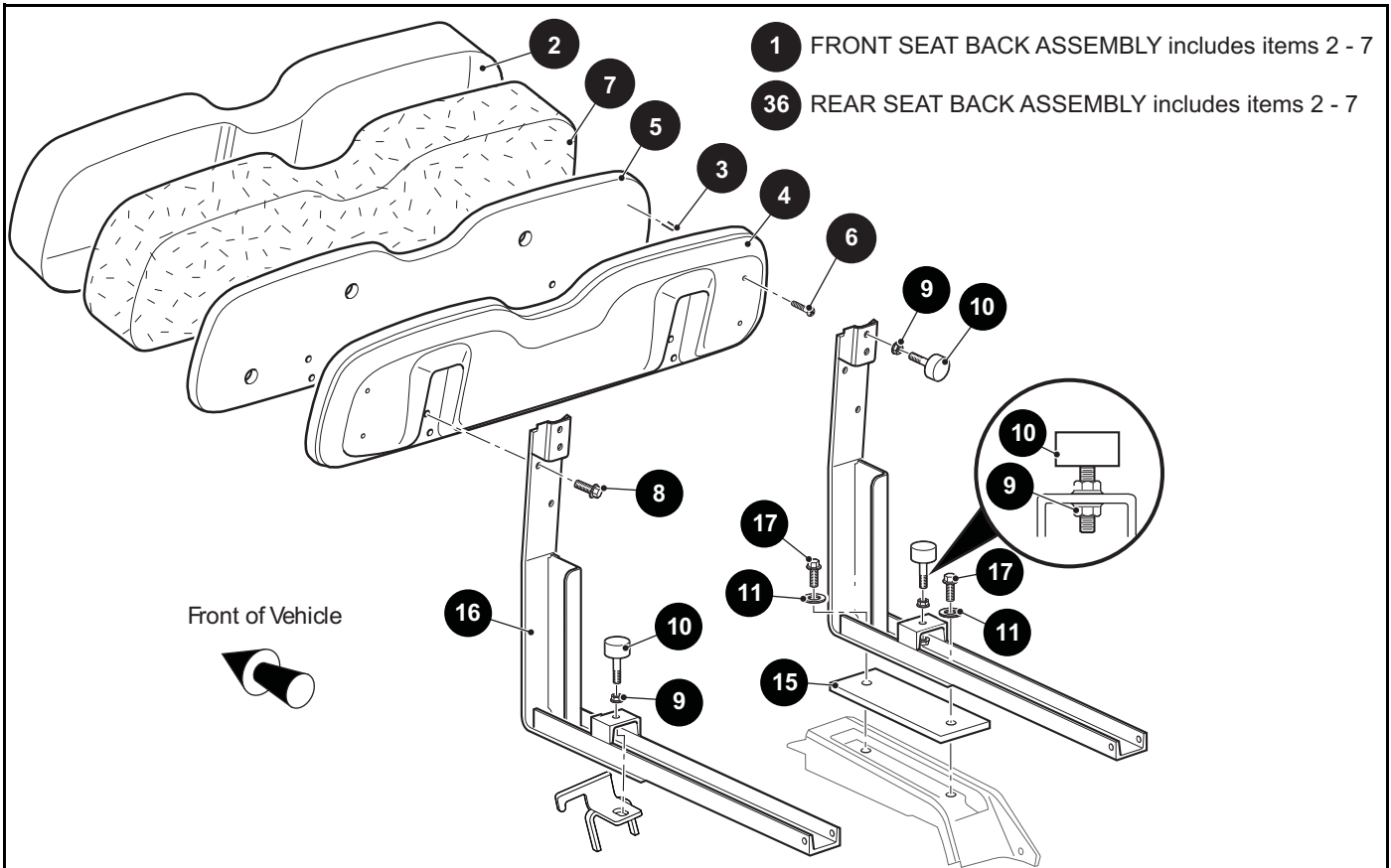
When ordering parts, please specify the model and serial number of the product.

* Indicates a component that is not available as an individual part.

*** Indicates consult Customer Service Department for additional information.

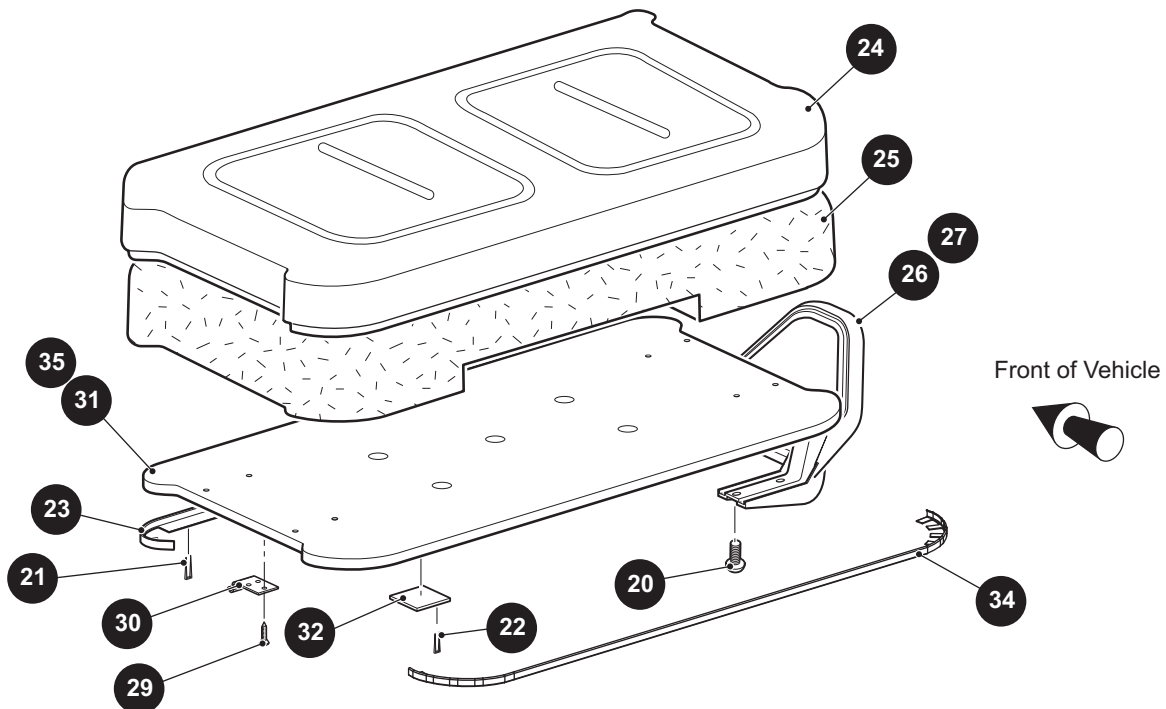
ITEM	PART NO.	1 2 3 4 5	DESCRIPTION	QTY.
1	76418G01		SHOCK ABSORBER	2
2	10435G1		SHOCK ABSORBER WASHER.....	8
3	10194G1		RUBBER BUSHING, 1"	8
4	00532G6		HEX JAM NUT, 3/8" - 24	4
5	10044G01		VINYL CAP	4
6	603109		REAR LEAF SPRINGS (REPLACE LEFT & RIGHT SPRINGS SIMULTANEOUSLY)	2
7	74207G03		HEAVY DUTY LEAF SPRING.....	2
8	72618G01		'U' BOLT, 3/8" - 16 X 2" X 2 1/2" LG	4
9	00560G1		FLAT WASHER, 3/8"	8
10	11098G5		LOCK NUT, 3/8" - 16	8
11				
12	70289G02		SPLIT STEEL SPACER	4
13	624030		FLANGED BUSHING, 21.5MM	12
14	70290G02		SHACKLE PLATE	4
15	00665G9		HEX HEAD BOLT (SS), 3/8" - 16 X 3 1/2" LG	4
16	11098G5		LOCK NUT, 3/8" - 16	4
17				
18	14158G1		SHOULDER BOLT, 3/8" - 16 X 3 1/4" LG	2
19	12262G1		LOCK NUT, 3/8" - 16	2

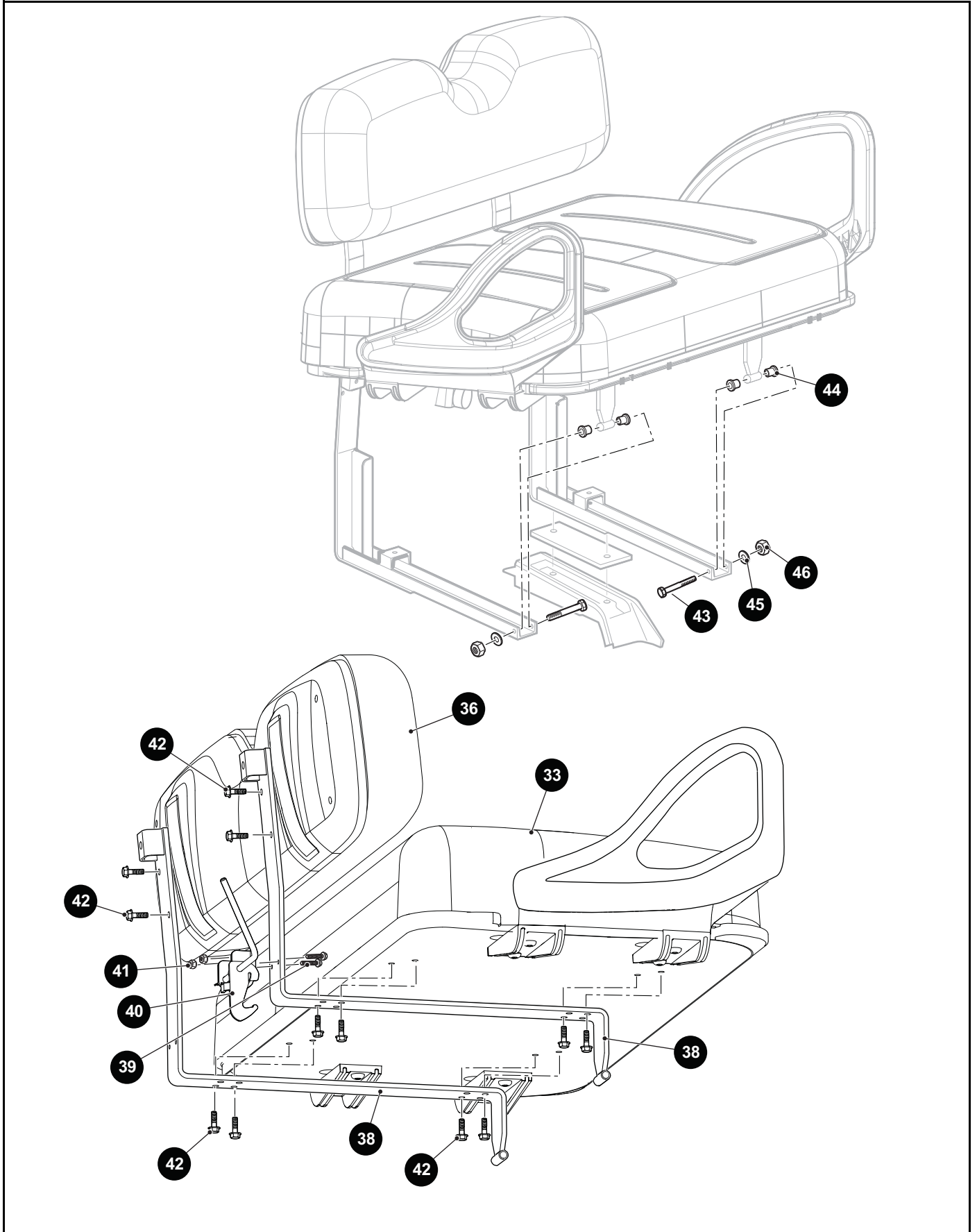
SEATING - CONVERTIBLE CARRIER



19 FRONT SEAT BOTTOM ASSEMBLY includes items 20 - 32

33 REAR SEAT BOTTOM ASSEMBLY includes items 20 - 28 and 34 - 35





SEATING - CONVERTIBLE CARRIER

When ordering parts, please specify the model and serial number of the product.

* Indicates a component that is not available as an individual part.

*** Indicates consult Customer Service Department for additional information.

ITEM	PART NO.	1	2	3	4	5	DESCRIPTION	QTY.
1	***						FRONT SEAT BACK ASSEMBLY (INCLUDES ITEMS 2 - 7) 71751G03 OYSTER 71751G02 GREY 71751G04 TAN 71751G05 SPECIAL	1
2	***						VINYL SEAT BACK COVER 71753G03 OYSTER 71753G02 GREY 71753G04 TAN 71753G05 SPECIAL	1
3	*						FLAT STAPLE	A/R
4	71752G01						PLASTIC SEAT BACK COVER	1
5	76414G01						SEAT BACK (WOOD)	1
6	01107G01						PAN HEAD TORX SCREW (SS), #8 X 5/8" LG	4
7	71754G01						FOAM PADDING (SEAT BACK)	1
8	71204G01						HEX HEAD BOLT, 1/4" - 20 X 7/8" LG.....	4
9	11027G1						LOCK NUT, 5/16" - 18	6
10	70113G01						ADJUSTABLE BUMPER	4
11	00560G1						WASHER, 3/8".....	4
12								
13								
14								
15	70364G01						SPACER, 8.45" X 2"	2
16	625525						SEAT BACK SUPPORT	2
17	00427G2						HEX HEAD BOLT, 3/8" - 16 X 1" LG.....	4
18								
19	***						FRONT SEAT BOTTOM ASSEMBLY (INCLUDES ITEMS 20 - 32)..... 629269G0101 OYSTER 629269G0103 TAN 629269G0104 GREY 629269G0108 CUSTOM SOLID	1
20	600530						BUTTON HEAD TORX SCREW, M10 - 1.5 X 25MM LG	8
21	*						FLAT STAPLE (SS), 3/8".....	A/R
22	*						FLAT STAPLE	A/R
23	71012G01						VINYL TRIM (SEAT BOTTOM).....	1

SEATING - CONVERTIBLE CARRIER

When ordering parts, please specify the model and serial number of the product.

* Indicates a component that is not available as an individual part.

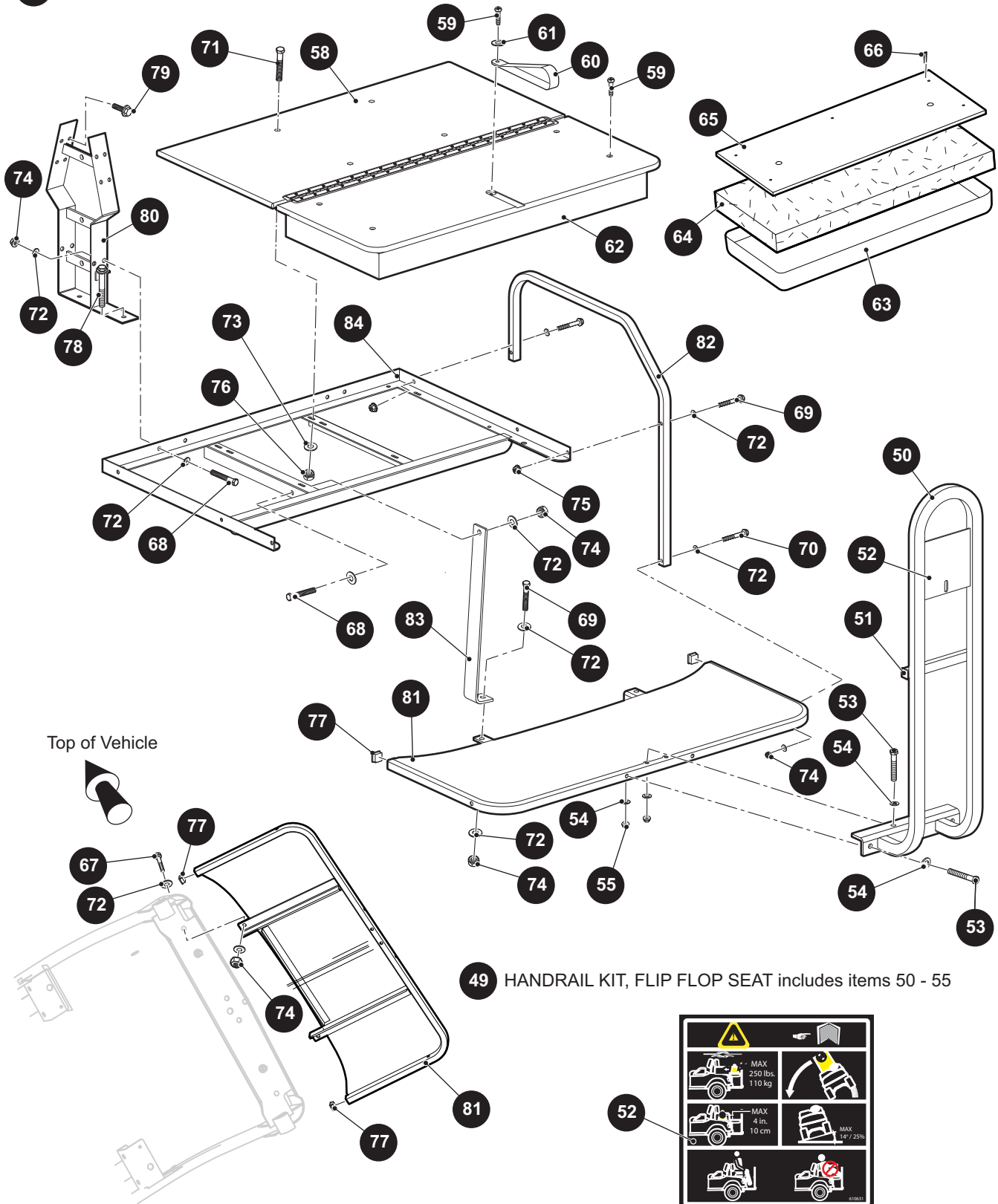
*** Indicates consult Customer Service Department for additional information.

ITEM	PART NO.	1 2 3 4 5	DESCRIPTION	QTY.
24	***		VINYL SEAT BOTTOM COVER 71602G03 OYSTER 71602G02 GREY 71602G04 TAN 71602G05 CUSTOM SOLID	1
25	71603G02		FOAM PADDING (SEAT BOTTOM)	1
26	617645		HIP RESTRAINT (DRIVER SIDE)	1
27	617644		HIP RESTRAINT (PASSENGER SIDE)	1
28	17618G1		NYLON CLAMP (NOT ILLUSTRATED)	1
29	00720G08		PHILLIPS HEAD TAPPING SCREW #12 -14 X 1" LG	6
30	71610G01		SEAT HINGE	2
31	629301		SEAT BOTTOM (WOOD)	1
32	17074G1		SOILING SLAB	2
33	***		REAR SEAT BOTTOM ASSEMBLY (INCLUDES ITEMS 20 - 28 AND 34 - 35)..... 629269G0301 OYSTER 629269G0303 TAN 629269G0304 GREY 629269G0308 CUSTOM SOLID	1
34	74140G01		VINYL TRIM (SEAT BOTTOM).....	1
35	629303		SEAT BOTTOM (WOOD)	1
36	***		REAR SEAT BACK ASSEMBLY (INCLUDES ITEMS 2 - 7)	1
			71751G03 OYSTER 71751G02 GREY 71751G04 TAN 71751G05 SPECIAL	
37				
38	625526		REAR SEAT SUPPORT WELDMENT	2
39	628906		HEX HEAD FLANGE BOLT, #10 - 24 X 3/4" LG	2
40	72917G01		BED LATCH ASSEMBLY	1
41	14390G10		LOCK NUT, #10 - 24	2
42	71204G01		HEX HEAD BOLT, 1/4" - 20 X 7/8" LG	12
43	00440G4		HEX HEAD BOLT, 5/16" - 18 X 2.5" LG	2
44	17838G1		NYLINER BUSHING, .5"	4
45	00559G8		FLAT WASHER, 5/16"	2
46	11098G6		LOCK NUT, 5/16" - 18	2

SEATING - CONVERTIBLE CARRIER

57 FLIP FLOP SEAT BOTTOM includes items 58 - 62

62 SEAT BOTTOM ASSEMBLY includes items 63 - 66



Top of Vehicle

SEATING - CONVERTIBLE CARRIER

When ordering parts, please specify the model and serial number of the product.

* Indicates a component that is not available as an individual part.

*** Indicates consult Customer Service Department for additional information.

ITEM	PART NO.	1 2 3 4 5	DESCRIPTION	QTY.
47				
48				
49	634184		HANDRAIL KIT, FLIP-FLOP SEAT (INCLUDES ITEMS 50 - 55).....	1
50	634185		FOOTREST HANDLE WELDMENT	1
51	19859G1		SQUARE CAP TUBE, 3/4"	2
52	610631		DECAL.....	1
53	00427G8		HEX HEAD BOLT, 3/8" - 16 X 2.0" LG.....	4
54	614221		FLAT WASHER, 3/8"	8
55	11098G5		PLASTIC LOCK NUT, 3/8" - 16	4
56				
57	***		FLIP FLOP SEAT BOTTOM (INCLUDES ITEMS 58 - 62)..... 628058G01 OYSTER 628058G03 TAN 628058G04 GREY	1
58	634190		DECK BOARD ASSEMBLY.....	1
59	16705G1		PHILLIPS TRUSS HEAD SCREW (SS), 1/4" - 20 X 1" LG	5
60	617402		SEAT STRAP	1
61	00559G7		FLAT WASHER, 1/4"	1
62	***		SEAT BOTTOM ASSEMBLY (INCLUDES ITEMS 63 - 66)	1
			632837G01 OYSTER 632837G03 TAN 632837G04 GREY	
63	***		VINYL SEAT BOTTOM	1
			615646 OYSTER 615647 TAN 617892 GREY	
64	617401		FOAM PADDING (SEAT BOTTOM).....	1
65	617400		SEAT BOTTOM (WOOD).....	1
66	*		FLAT STAPLE (SS), 3/8".....	A/R
67	00427G6		HEX HEAD BOLT, 3/8" - 16 X 1.75" LG	2
68	00427G2		HEX HEAD BOLT, 3/8" - 16 X 1.25" LG	4
69	00427G4		HEX HEAD BOLT, 3/8" - 16 X 1.5" LG	6
70	00428G8		HEX HEAD BOLT, 3/8" - 16 X 3.25" LG	2
71	16705G9		PHILLIPS TRUSS HEAD SCREW (SS), 1/4" - 20 X 1.25" LG.....	4

SEATING - CONVERTIBLE CARRIER

When ordering parts, please specify the model and serial number of the product.

* Indicates a component that is not available as an individual part.

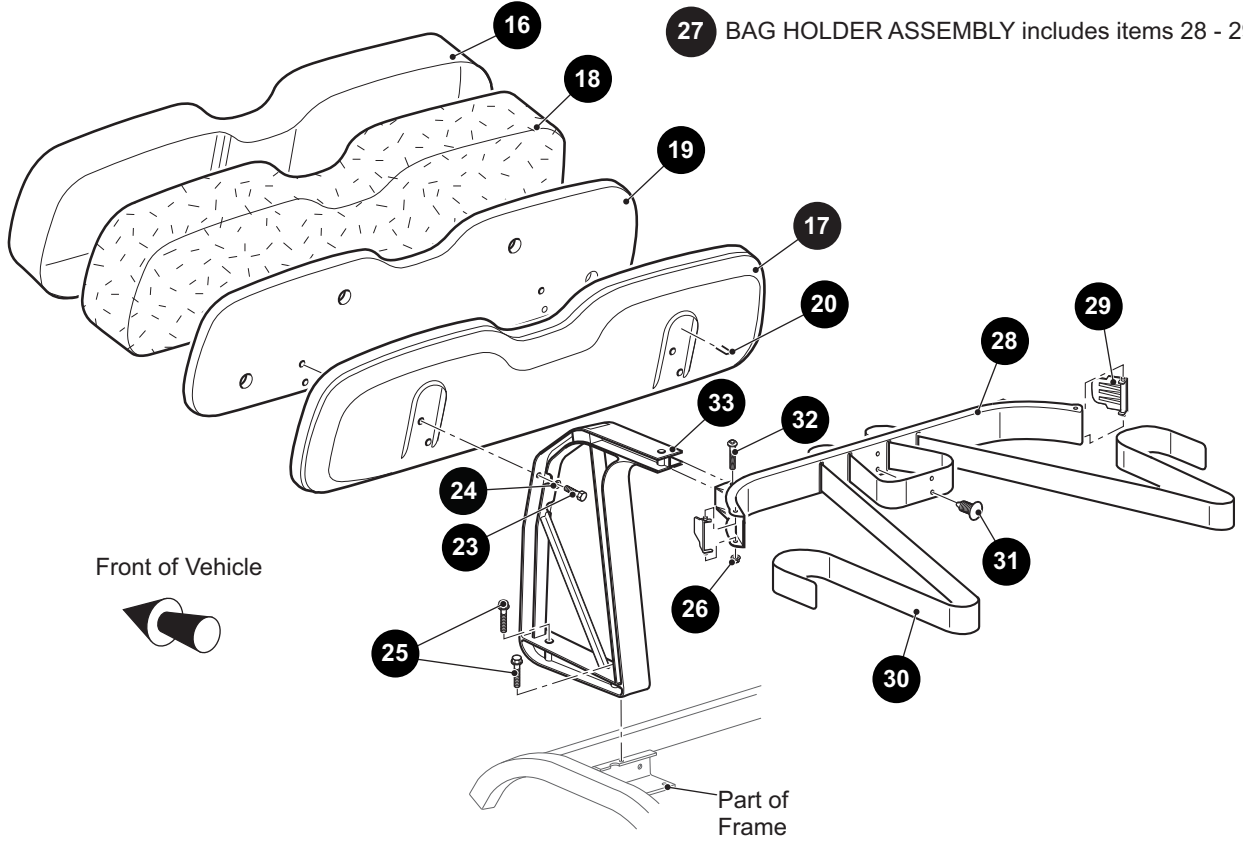
*** Indicates consult Customer Service Department for additional information.

ITEM	PART NO.	1 2 3 4 5	DESCRIPTION	QTY.
72	614221		FLAT WASHER, 3/8"	24
73	00559G7		FLAT WASHER, 1/4"	4
74	11098G5		PLASTIC LOCK NUT, 3/8" - 16	10
75	11027G5		FLANGED LOCK NUT, 3/8" - 16	4
76	14390G4		PLASTIC LOCK NUT, 1/4" - 20	4
77	19853G1		SQUARE CAP TUBE, 1"	2
78	01006G01		HEX HEAD BOLT, 3/8" - 16 X 1.25" LG.....	4
79	71204G01		HEX HEAD BOLT, 1/4" - 20 X 7/8" LG.....	8
80	634178		SEAT BACK SUPPORT	1
81	634179		FOOTREST WELDMENT	1
82	634175		ARMREST, REAR SEAT	2
83	634174		SEAT FRAME SUPPORT.....	2
84	634180		SEAT FRAME WELDMENT	1

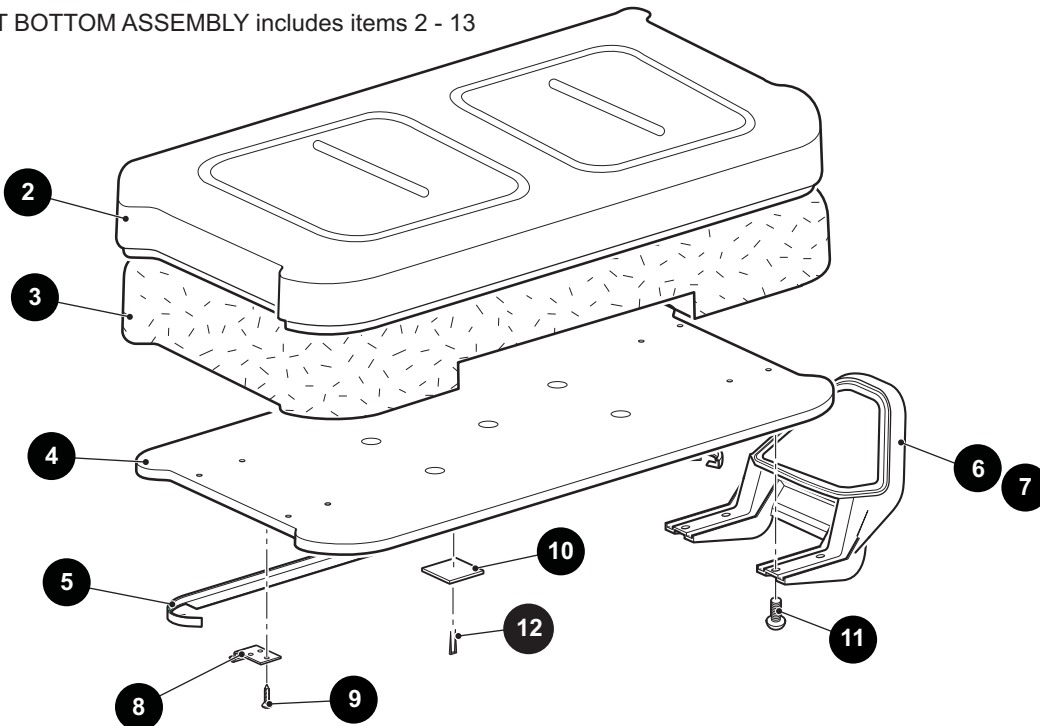
SEATING AND BAG HOLDER - GOLF CAR

15 SEAT BACK ASSEMBLY includes items 16 - 21

27 BAG HOLDER ASSEMBLY includes items 28 - 29



1 SEAT BOTTOM ASSEMBLY includes items 2 - 13



SEATING AND BAG HOLDER - GOLF CAR

When ordering parts, please specify the model and serial number of the product.

* Indicates a component that is not available as an individual part.

*** Indicates consult Customer Service Department for additional information.

ITEM	PART NO.	1 2 3 4 5	DESCRIPTION	QTY.
1	***		SEAT BOTTOM ASSEMBLY (INCLUDES ITEMS 2 - 13)..... 629269G0101 OYSTER 629269G0103 TAN 629269G0104 GREY 629269G0108 CUSTOM SOLID	1
2	***		SEAT BOTTOM COVER 71602G03 OYSTER 71602G02 GREY 71602G04 TAN 71602G05 CUSTOM SOLID	1
3	71603G02		FOAM PADDING (SEAT BOTTOM)	1
4	629301		SEAT BOTTOM (WOOD)	1
5	71012G01		VINYL TRIM (SEAT BOTTOM).....	1
6	617644		HIP RESTRAINT (PASSENGER SIDE)	1
7	617645		HIP RESTRAINT (DRIVER SIDE).....	1
8	71610G01		SEAT HINGE	2
9	00720G08		PHILLIPS HEAD TAPPING SCREW #12 -14 X 1" LG	6
10	17074G1		SOILING SLAB.....	2
11	600530		BUTTON HEAD TORX SCREW, M10 - 1.5 X 25MM LG	8
12	*		FLAT STAPLE.....	A/R
13	17618G1		NYLON CLAMP (NOT ILLUSTRATED).....	1
14				
15	***		SEAT BACK ASSEMBLY (INCLUDES ITEMS 16 - 21) 625229G0101 OYSTER 625229G0103 TAN 625229G0104 GREY 625229G0108 CUSTOM SOLID	1
16	***		VINYL SEAT BACK COVER 625234G01 OYSTER 625234G03 TAN 625234G04 GREY 625234G08 CUSTOM SOLID	1
17	625239		PLASTIC SEAT BACK COVER.....	1
18	625233		FOAM PADDING (SEAT BACK).....	1
19	625231		SEAT BACK BOARD (WOOD).....	1
20	*		FLAT STAPLE.....	A/R
21	17618G1		NYLON CLAMP (NOT ILLUSTRATED).....	1

SEATING AND BAG HOLDER - GOLF CAR

When ordering parts, please specify the model and serial number of the product.

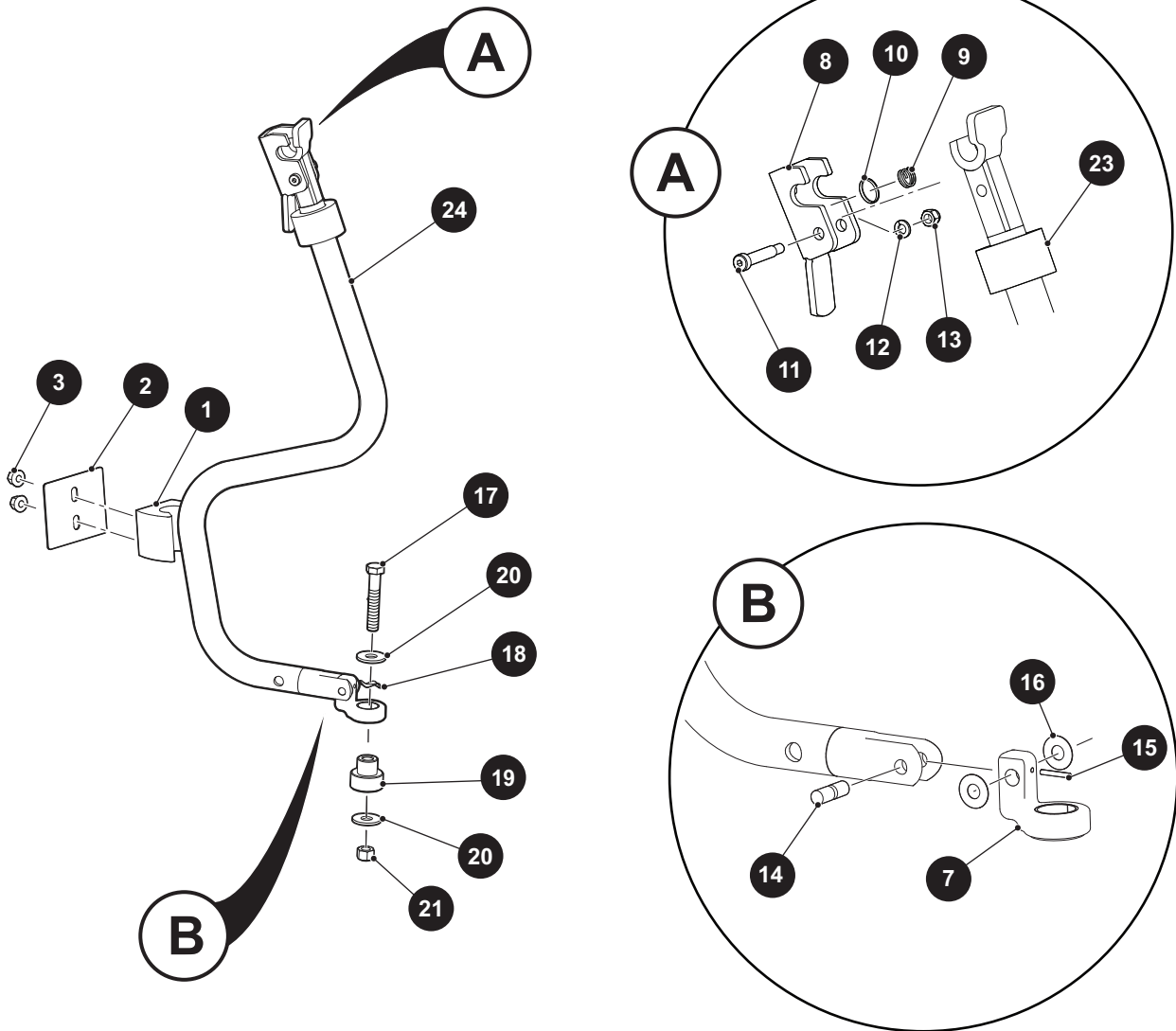
* Indicates a component that is not available as an individual part.

*** Indicates consult Customer Service Department for additional information.

ITEM	PART NO.	1 2 3 4 5	DESCRIPTION	QTY.
22				
23	605056		HEX HEAD BOLT (SS), 1/4" - 20 X 1" LG	4
24	00664G7		LOCK WASHER (SS), 1/4"	4
25	01075G01		HEX HEAD BOLT, 3/8" - 16 X 2 1/2" LG.....	4
26	11027G2		LOCK NUT, 1/4" - 20	2
27	618206		BAG HOLDER ASSEMBLY (INCLUDES ITEMS 28 - 29)	1
28	610642		BAG HOLDER BRACKET.....	1
29	608051		BAG RETAINER CLAMP	2
30	71853G01		BAG RETAINER STRAP	1
31	16816G1		RATCHET FASTENER, 1/4" X 9/16" LG	2
32	01102G01		CARRIAGE BOLT (SS), 1/4" - 20 X 1 1/2" LG.....	2
33	71811G03		SEAT SUPPORT BRACKET	2

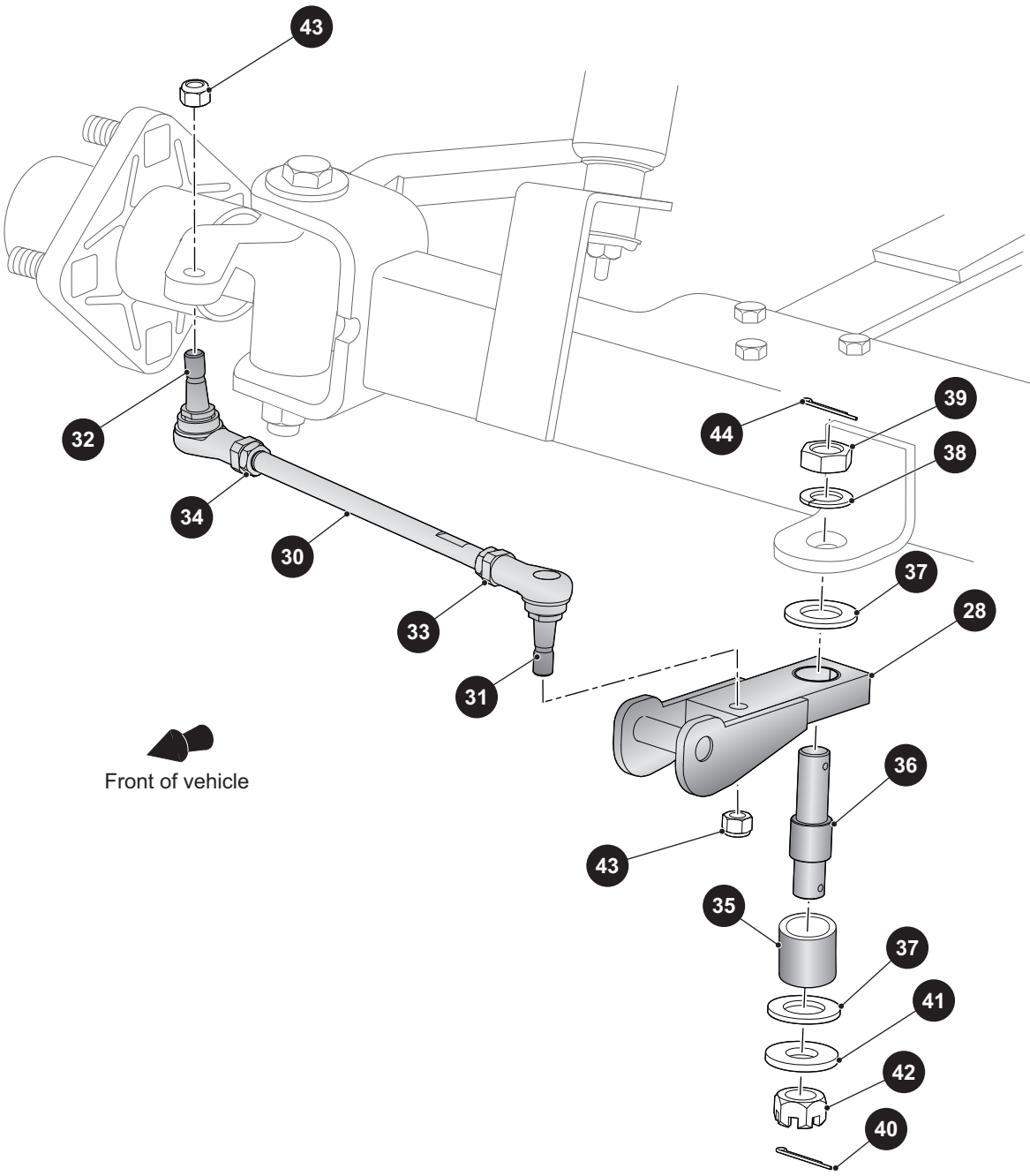
TOW BAR - PERMANENT

6 TOW BAR ASSEMBLY includes items 7 - 24



27 TOW BAR HITCH ASSEMBLY includes items 28 - 43

29 TIE ROD ASSEMBLY includes items 30 - 34



TOW BAR - PERMANENT

When ordering parts, please specify the model and serial number of the product.

* Indicates a component that is not available as an individual part.

*** Indicates consult Customer Service Department for additional information.

ITEM	PART NO.	1 2 3 4 5	DESCRIPTION	QTY.
1	603020		TOW BAR RETAINER	1
2	625816		BACKING PLATE	1
3	600525		HEX FLANGE NUT, M10 - 1.50.....	2
4				
5				
6	625813		TOW BAR ASSEMBLY (TOWING VEHICLE) (INCLUDES ITEMS 7 - 24)	1
7	625458		TOW BAR SWIVEL.....	1
8	617147		TOW BAR LATCH.....	1
9	20852G2		COMPRESSION SPRING (SS)	1
10	25661G02		CUP WASHER, 0.84" O.D X 0.20" I.D.....	1
11	13005G4		SOCKET HEAD BOLT, 5/16" - 18 X 0.406" LG.....	1
12	00565G8		LOCK WASHER, 5/16"	1
13	00520G3		ACORN NUT, 5/16" - 18.....	1
14	75360G01		PIVOT PIN	1
15	608793		SPIROL PIN, 3MM X 22MM.....	1
16	75340G01		FLAT WASHER, M10.....	2
17	00410G8		HEX HEAD BOLT, 1/2" - 20 X 3" LG	1
18	75339G01		SPRING WASHER.....	1
19	625582		TOW BAR PIVOT.....	1
20	00571G5		FLAT WASHER, 5/16".....	2
21	11098G8		LOCK NUT, 1 3/8" - 12.....	1
22	625819		WARNING DECAL (NOT ILLUSTRATED).....	1
23	75362G01		LATCH STOP	1
24	625814		TOW BAR WELDMENT	1
25				
26				
27	625812		TOW BAR HITCH ASSEMBLY (TOWED VEHICLE) (INCLUDES ITEMS 28 - 43).....	1
28	625810		TOW BAR HITCH	1
29	625811		TIE ROD ASSEMBLY (INCLUDES ITEMS 30 - 34).....	1
30	625646		TIE ROD LINK	1
31	70902G01		TIE ROD END (DRIVER SIDE)	1

TOW BAR - PERMANENT

When ordering parts, please specify the model and serial number of the product.

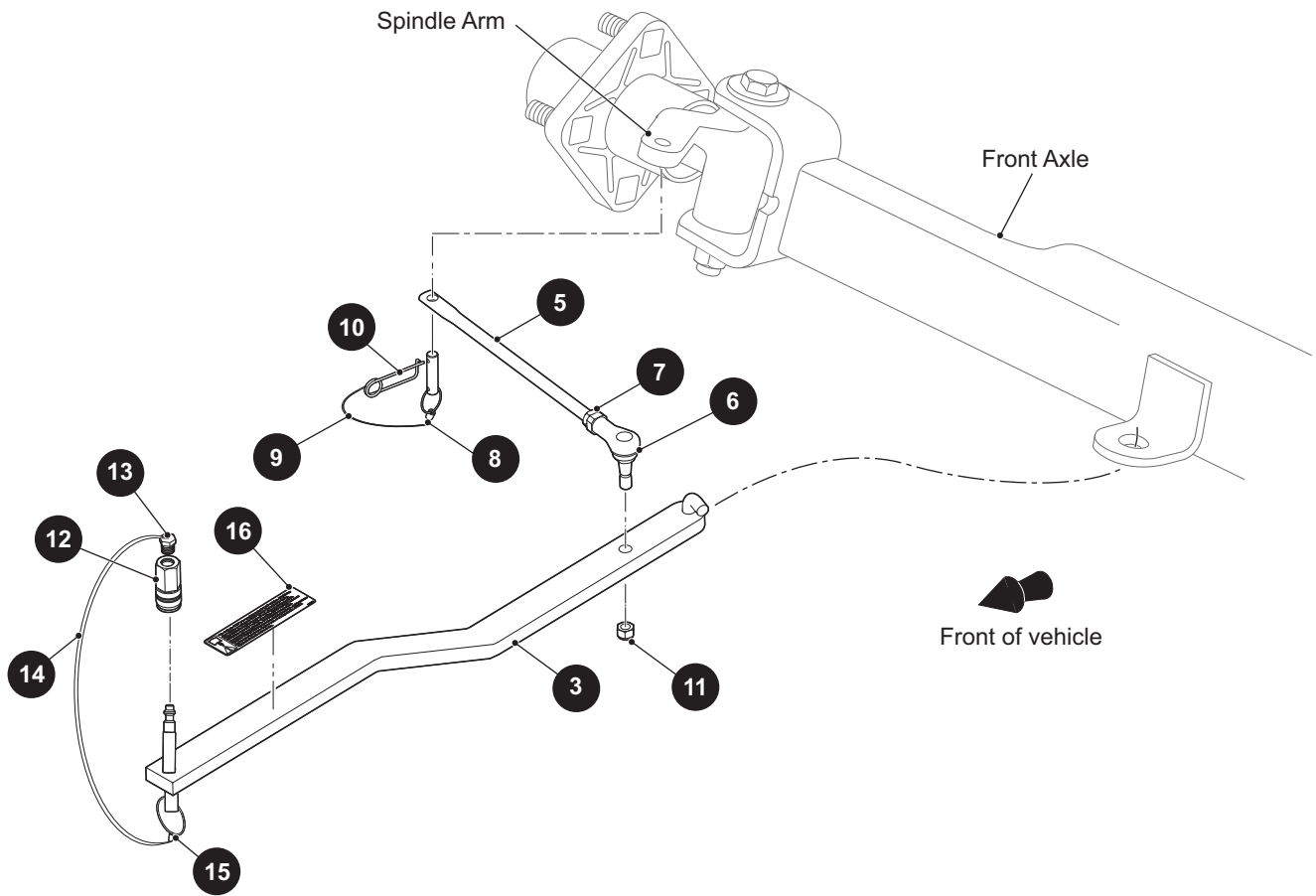
* Indicates a component that is not available as an individual part.

*** Indicates consult Customer Service Department for additional information.

ITEM	PART NO.	1	2	3	4	5	DESCRIPTION	QTY.
32	70902G02						TIE ROD END (PASSENGER SIDE)	1
33	01069G01						JAM NUT, M12 X 1.25" - 05 (DRIVER SIDE).....	1
34	01069G02						JAM NUT, M12 X 1.25" - 05 (PASSENGER SIDE)	1
35	75307G01						BEARING	1
36	75292G01						PIVOT BOLT	1
37	75309G01						THRUST BEARING	2
38	00566G6						SPRING LOCK WASHER, 3/8"	1
39	00533G8						HEX NUT, 1/2" - 13.....	1
40	10387G1						COTTER PIN, 0.125" X 1.50"	1
41	75342G01						FLAT WASHER, 1.75" O.D X 0.781" I.D	1
42	00518G8						CASTLE NUT, 3/4" - 16	1
43	00734G1						LOCK NUT, 7/16" - 14	2
44	10387G1						COTTER PIN, 0.125" X 1.50"	1

TOW BAR - CASUAL

- 1 CASUAL TOW BAR KIT includes item 2
- 2 CASUAL TOW BAR ASSEMBLY includes items 3 - 16
- 4 TIE ROD ASSEMBLY includes items 5 - 7



TOW BAR - CASUAL

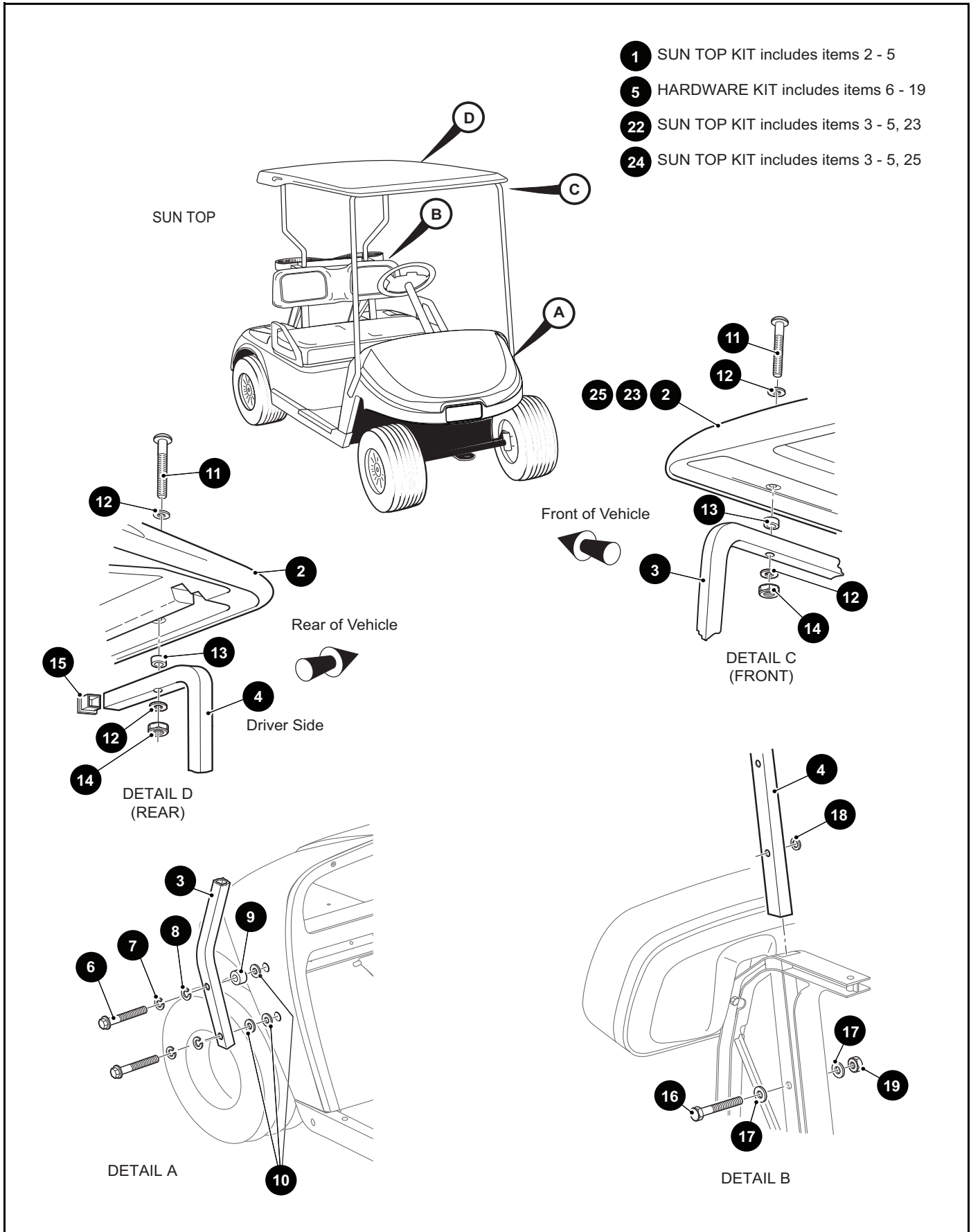
When ordering parts, please specify the model and serial number of the product.

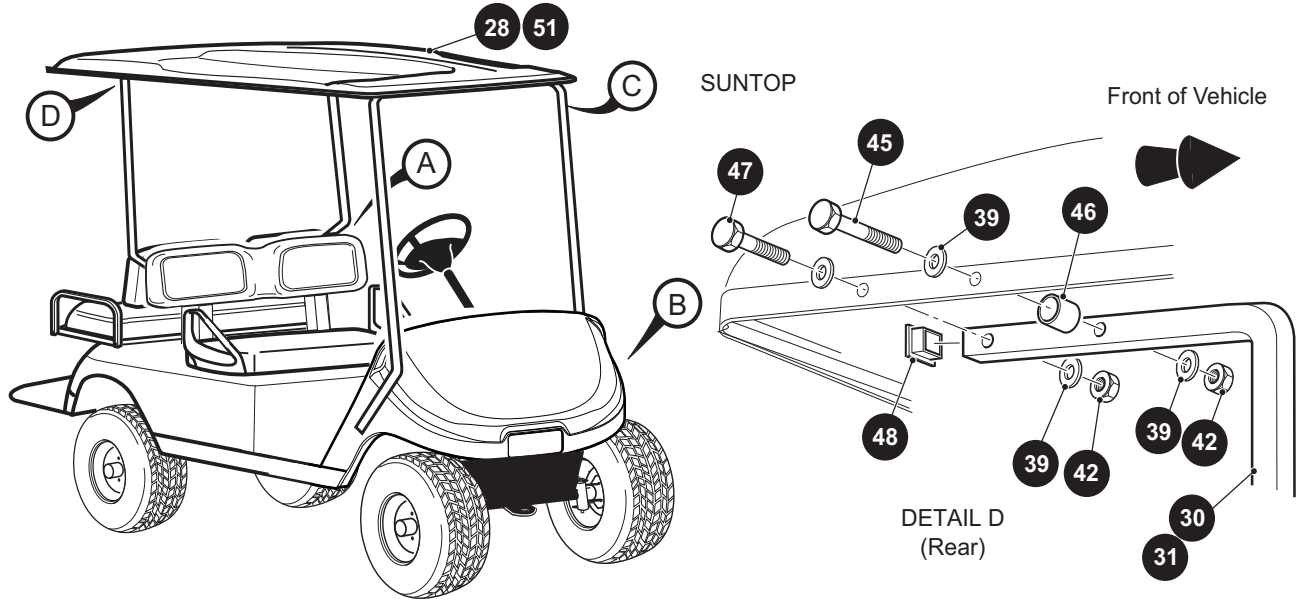
* Indicates a component that is not available as an individual part.

*** Indicates consult Customer Service Department for additional information.

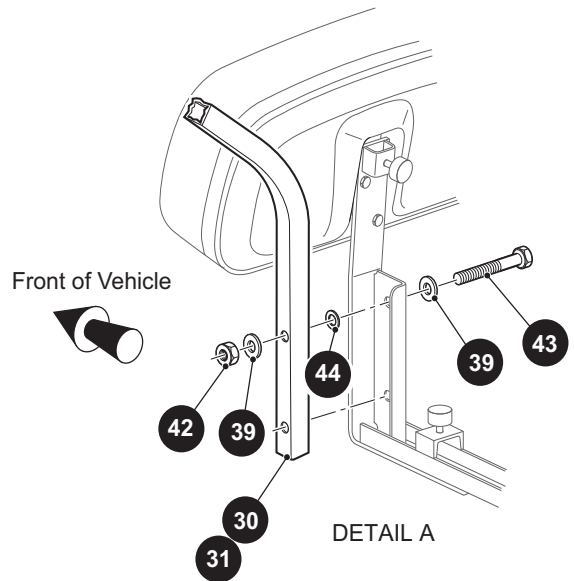
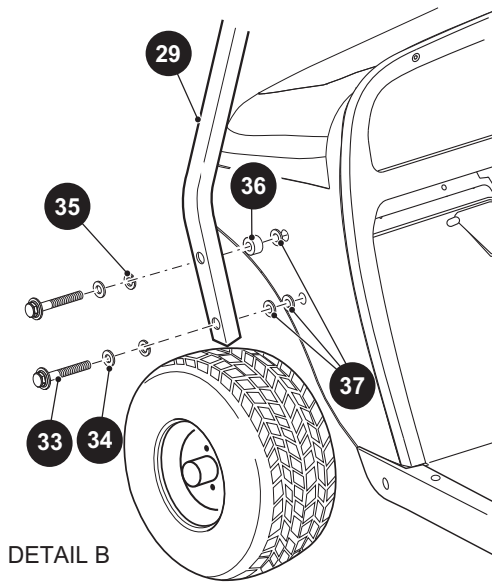
ITEM	PART NO.	1 2 3 4 5	DESCRIPTION	QTY.
1	625284		CASUAL TOW BAR KIT (INCLUDES ITEM 2)	1
2	625282		CASUAL TOW BAR ASSEMBLY (INCLUDES ITEMS 3 -16).....	1
3	625327		TOW BAR WELDMENT	1
4	625328		TIE ROD ASSEMBLY (INCLUDES ITEMS 5 - 7).....	1
5	625329		TIE ROD WELDMENT	1
6	70902G01		TIE ROD END (DRIVER SIDE)	1
7	01069G01		JAM NUT, M12 - 1.25	1
8	16783G1		FERRULE	1
9	14869G5		WIRE ROPE, 6" LG	1
10	75068G01		SAFETY PIN	1
11	00734G1		LOCK NUT, 7/16" - 14	1
12	75060G01		COUPLING	1
13	75035G02		HEX HEAD PLUG WITH HOLE, 1/4" - 18	1
14	14869G3		WIRE ROPE, 20" LG	1
15	75067G01		FERRULE	1
16	625820		WARNING DECAL	1

WEATHER PROTECTION



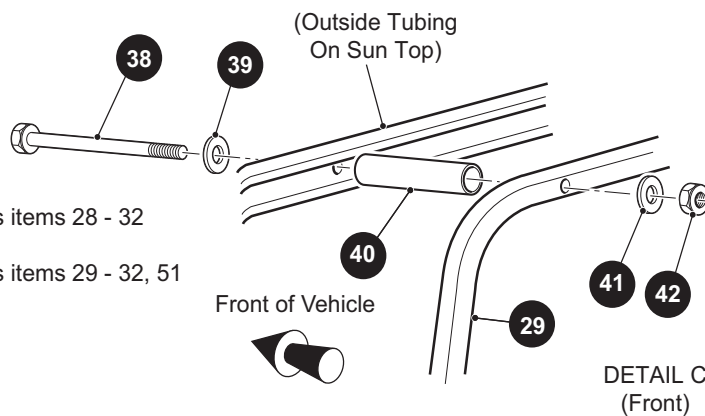


32 HARDWARE KIT includes items 33 - 48



27 SUN TOP KIT includes items 28 - 32

50 SUN TOP KIT includes items 29 - 32, 51



WEATHER PROTECTION

When ordering parts, please specify the model and serial number of the product.

* Indicates a component that is not available as an individual part.

*** Indicates consult Customer Service Department for additional information.

ITEM	PART NO.	1 2 3 4 5	DESCRIPTION	QTY.
1	625299G01		SUN TOP KIT (INCLUDES ITEMS 2 - 5)	1
2	625290		SUN TOP (TAN).....	1
3	625294		FRONT STRUT	1
4	75046G01		REAR STRUT	2
5	625296		HARDWARE KIT (INCLUDES ITEMS 6 - 19).....	1
6	*		HEX HEAD BOLT, 5/16" - 18 X 2 1/4" LG.....	4
7	*		FLAT WASHER, 5/16"	4
8	*		LOCK WASHER, 5/16"	4
9	*		SPACER, 0.328" ID X 0.75" OD X 0.5" LG	2
10	*		FLAT WASHER, 5/16"	6
11	*		HEX HEAD BOLT, 1/4" - 20 X 2 1/2" LG.....	4
12	*		FLAT WASHER (SS), 1/4"	8
13	*		SPACER (PLASTIC), 0.28" ID X 0.56" OD X 0.74" LG	4
14	*		LOCK NUT (SS), 1/4" - 20.....	4
15	*		END CAP, 1" SQ.....	2
16	*		HEX HEAD BOLT (SS), 5/16" - 18 X 1 3/4" LG	4
17	*		FLAT WASHER (SS), 5/16"	8
18	*		TEFLON WASHER, 5/16"	4
19	*		LOCK NUT (SS), 5/16" - 18.....	4
20				
21				
22	625299G02		SUN TOP KIT (INCLUDES ITEMS 3 - 5, 23)	1
23	625291		SUN TOP (OYSTER).....	1
24	625299G03		SUN TOP KIT (INCLUDES ITEMS 3 - 5, 25)	1
25	625292		SUN TOP (BLACK)	1
26				
27	634553G01		SUN TOP KIT (INCLUDES ITEMS 28 - 32)	1
28	602672		SUN TOP (TAN), 80" LG.....	1
29	634791		FRONT STRUT.....	1
30	602743		REAR STRUT (DRIVER SIDE).....	1
31	602741		REAR STRUT (PASSENGER SIDE)	1

WEATHER PROTECTION

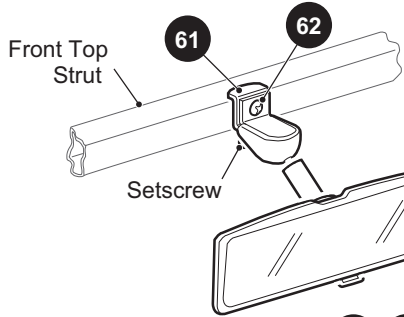
When ordering parts, please specify the model and serial number of the product.

* Indicates a component that is not available as an individual part.

*** Indicates consult Customer Service Department for additional information.

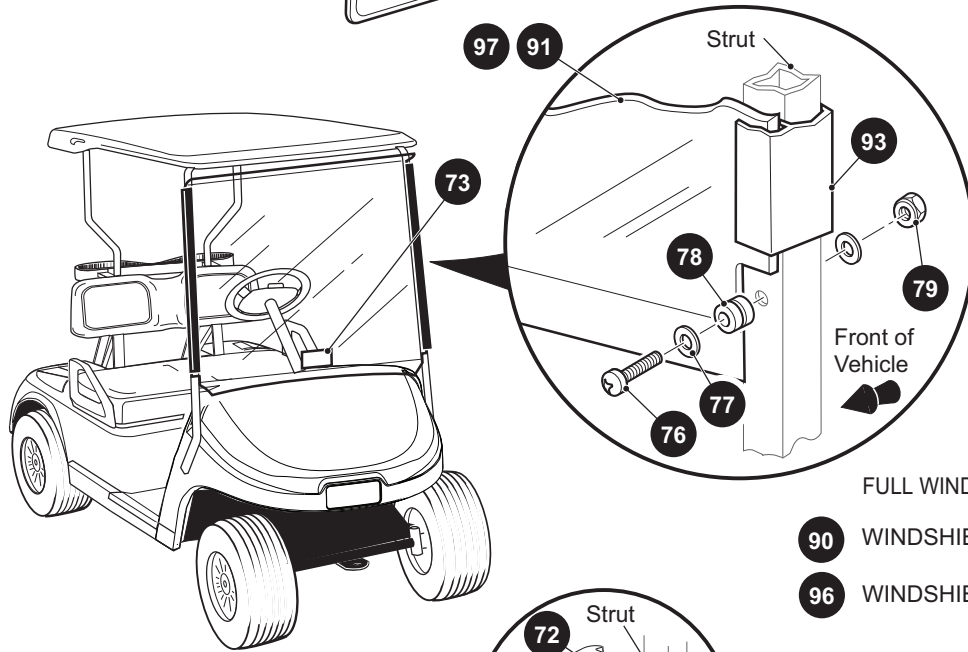
ITEM	PART NO.	1 2 3 4 5	DESCRIPTION	QTY.
32	634554		HARDWARE KIT (INCLUDES ITEMS 33 - 48)	1
33	634806		HEX HEAD BOLT, 5/16" - 18 X 2 1/4" LG	4
34	634811		FLAT WASHER, 5/16"	4
35	634810		LOCK WASHER, 5/16"	4
36	634807		SPACER, 0.328" ID X 0.75" OD X 1/2" LG	2
37	634808		FLAT WASHER, 5/16"	6
38	00674G8		HEX HEAD BOLT (SS), 3/8" - 16 X 5" LG	2
39	00679G1		FLAT WASHER (SS), 3/8"	16
40	18716G1		SPACER, 0.75" OD X 2.88" LG	2
41	00653G1		FLAT WASHER (SS), 3/8"	2
42	00891G5		LOCK NUT, 3/8" - 16	10
43	00665G5		HEX HEAD BOLT (SS), 3/8" - 16 X 1 3/4" LG	4
44	00771G5		NYLON WASHER, 3/8"	4
45	00665G3		HEX HEAD BOLT (SS), 3/8" - 16 X 2 1/2" LG	2
46	24647G1		SPACER, 0.39" ID X 0.75" OD X 0.29" LG	2
47	00665G6		HEX HEAD BOLT (SS), 3/8" - 16 X 2" LG	2
48	19853G1		END CAP, 1" SQ	2
49				
50	634553G02		SUN TOP KIT (INCLUDES ITEMS 29 - 32, 51)	1
51	27604G01		SUN TOP (WHITE), 80" LG	1
52				
53				
54				
55				
56				
57				
58				

WEATHER PROTECTION



REAR VIEW MIRROR

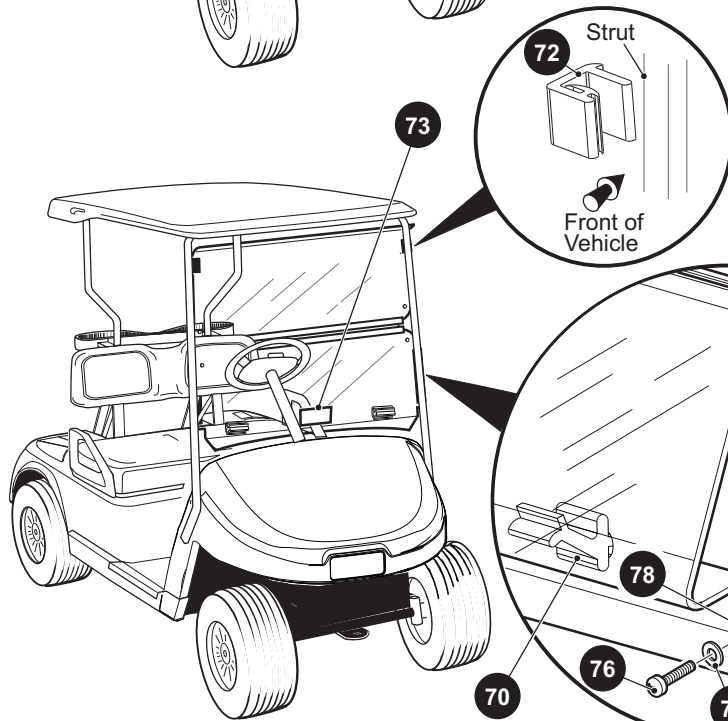
59 REAR VIEW MIRROR KIT includes items 60 - 62



FULL WINDSHIELD

90 WINDSHIELD KIT includes items 75, 91 - 93

96 WINDSHIELD KIT (2+2) includes items 75, 93, 97



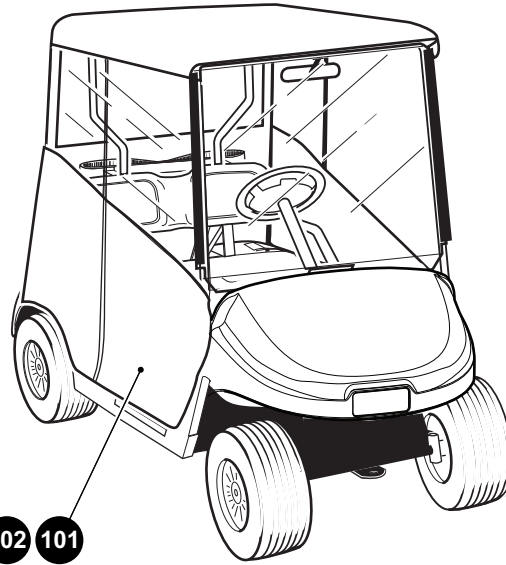
SPLIT WINDSHIELD

64 WINDSHIELD KIT, SPLIT includes items 70 - 75

82 WINDSHIELD KIT, SPLIT (2+2) includes items 70 - 75

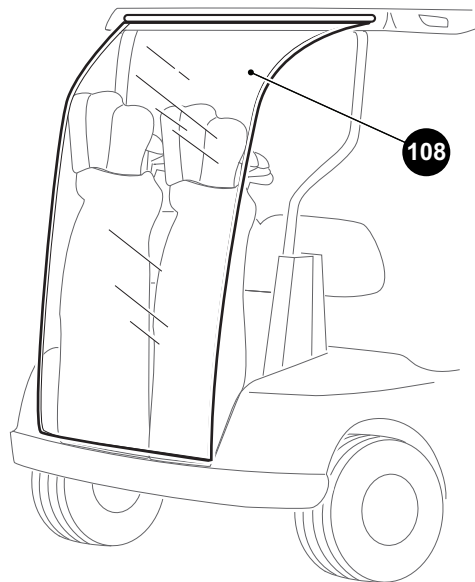
WEATHER ENCLOSURE

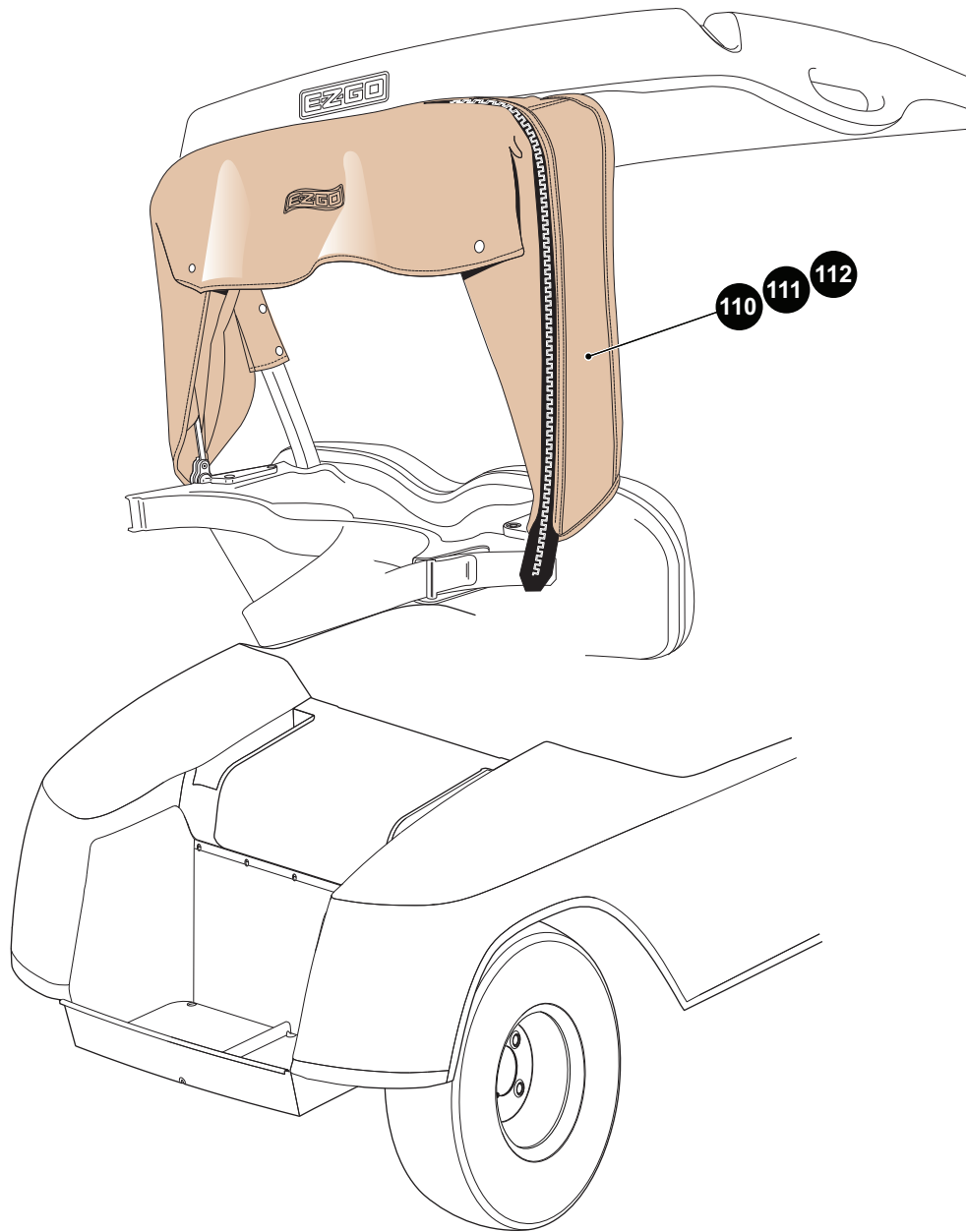
- 106
- 105
- 104
- 103
- 102
- 101



BAG AND RAIN CURTAIN

- 108





WEATHER PROTECTION

When ordering parts, please specify the model and serial number of the product.

* Indicates a component that is not available as an individual part.

*** Indicates consult Customer Service Department for additional information.

ITEM	PART NO.	1 2 3 4 5	DESCRIPTION	QTY.
59	19528G2		REAR VIEW MIRROR KIT (INCLUDES ITEMS 60 - 62)	1
60	19496G1		REAR VIEW MIRROR.....	1
61	19502G2		SUPPORT BRACKET	1
62	19527G1		SCREW (SS), #8 - 32 X 5/8" LG	1
63				
64	625279G01		WINDSHIELD KIT, SPLIT (INCLUDES ITEMS 70 - 75).....	1
65				
66				
67				
68				
69				
70	603201		LOWER LATCH.....	2
71	604115		GROMMET	4
72	625230		UPPER LATCH.....	2
73	71963G01		WARNING DECAL	1
74	625228		SASH, 10" LG.....	2
75	625271		HARDWARE KIT (INCLUDES ITEMS 76 - 79)	1
76	00753G5		PHILLIPS TRUSS HEAD MACHINE SCREW, 1/4" - 20 X 2" LG	2
77	01110G01		FLAT WASHER (SS), 1/4"	4
78	625278		RUBBER GROMMET	2
79	00654G2		LOCK NUT (SS), 1/4" - 20	2
80				
81				
82	625279G02		WINDSHIELD KIT, SPLIT (2+2) (INCLUDES ITEMS 70 - 75)	1
83				
84				
85				
86				
87				
88				
89				

WEATHER PROTECTION

When ordering parts, please specify the model and serial number of the product.

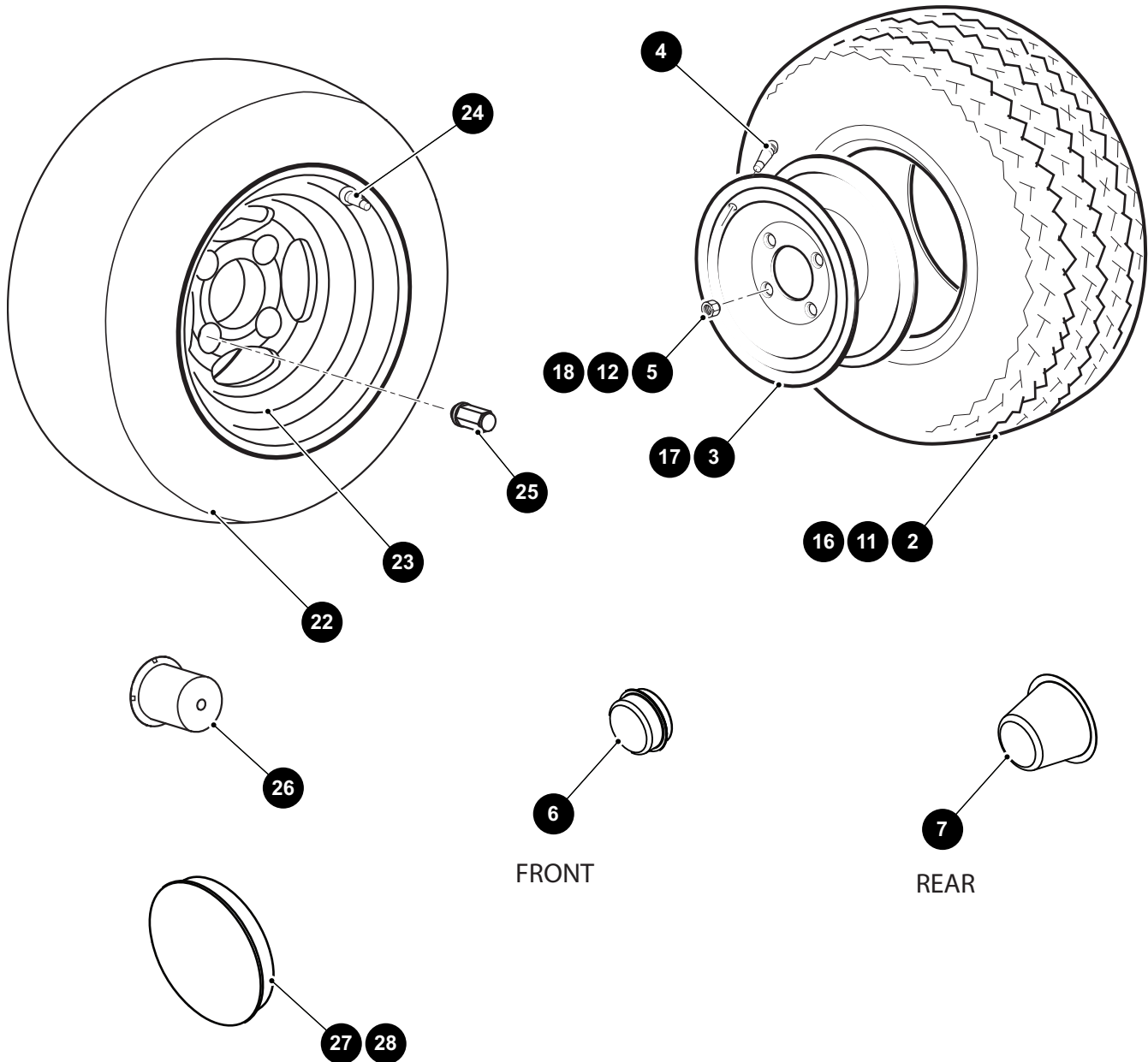
* Indicates a component that is not available as an individual part.

*** Indicates consult Customer Service Department for additional information.

ITEM	PART NO.	1	2	3	4	5	DESCRIPTION	QTY.
90	625279G03						WINDSHIELD KIT, FULL (INCLUDES ITEMS 75, 91 - 93)	1
91	625277						WINDSHIELD ASSEMBLY, FULL (INCLUDES ITEMS 73, 92)	1
92	625276						WINDSHIELD FULL	1
93	625227						SASH, 26" LG	2
94								
95								
96	625279G04						WINDSHIELD KIT, FULL (2+2) (INCLUDES ITEMS 75, 93, 97)	1
97	634285						WINDSHIELD ASSEMBLY, FULL (2+2) (INCLUDES ITEMS 73, 98)	1
98	634234						WINDSHIELD, FULL (2+2).....	1
99								
100								
101	634541						WEATHER ENCLOSURE (3 SIDED) (TAN) RECOMMENDED FOR VEHICLES WITH WINDSHIELDS	1
102	634542						WEATHER ENCLOSURE (3 SIDED) (OYSTER) RECOMMENDED FOR VEHICLES WITH WINDSHIELDS	1
103	634543						WEATHER ENCLOSURE (3 SIDED) (HUNTER GREEN) RECOMMENDED FOR VEHICLES WITH WINDSHIELDS	1
104	634544						WEATHER ENCLOSURE (4 SIDED) (TAN) RECOMMENDED FOR VEHICLES WITHOUT WINDSHIELDS	1
105	634545						WEATHER ENCLOSURE (4 SIDED) (OYSTER) RECOMMENDED FOR VEHICLES WITHOUT WINDSHIELDS	1
106	634546						WEATHER ENCLOSURE (4 SIDED) (HUNTER GREEN) RECOMMENDED FOR VEHICLES WITHOUT WINDSHIELDS	1
107								
108	75191G01						BAG COVER AND RAIN CURTAIN KIT	1
109								
110	625581						BAG COVER KIT (OYSTER)	1
111	625583						BAG COVER KIT (TAN)	1
112	625585						BAG COVER KIT (GREEN)	1

WHEELS AND TIRES

- 1** WHEEL AND TIRE ASSEMBLY, LINKS includes items 2 - 4
- 10** WHEEL AND TIRE ASSEMBLY, SURE TRAIL includes items 3 - 4, 11
- 15** WHEEL AND TIRE ASSEMBLY, HOLE - N - ONE includes items 4, 16 - 17
- 21** ALLOY WHEEL AND TIRE ASSEMBLY includes items 22 - 24 (FREEDOM ONLY)



WHEELS AND TIRES

When ordering parts, please specify the model and serial number of the product.

* Indicates a component that is not available as an individual part.

*** Indicates consult Customer Service Department for additional information.

ITEM	PART NO.	1 2 3 4 5	DESCRIPTION	QTY.
1	28757G01		WHEEL AND TIRE ASSEMBLY, LINKS 18 X 8.5 - 8 (INCLUDES ITEMS 2 - 4).....	4
2	28764G01		TIRE, CARLISLE LINKS.....	1
3	28759G01		WHEEL RIM (4 LUG)	1
4	11657G2		VALVE STEM.....	1
5	14723G1		LUG NUT, 1/2" - 20	16
6	12091G2		SPINDLE CAP	2
7	74175G01		MOLDED DUST CAP.....	2
8				
9				
10	28842G01		WHEEL AND TIRE ASSEMBLY, SURE TRAIL 18.5 X 8.5 - 8 (INCLUDES ITEMS 3 - 4, 11).....	2
11	28764G06		TIRE, USA TRAIL.....	1
12	14723G1		LUG NUT, 1/2" - 20	8
13				
14				
15	612772		WHEEL AND TIRE ASSEMBLY, HOLE - N - ONE 18 X 8.5 - 8 (INCLUDES ITEMS 4, 16 - 17).....	2
16	612771		KENDA TIRE, HOLE - N - ONE	1
17	612770		WHEEL, MONITOR 8".....	1
18	14723G1		LUG NUT, 1/2" - 20	8
19				
20				
21	600599		ALLOY WHEEL AND TIRE ASSEMBLY (INCLUDES ITEMS 22 - 24) (FREEDOM ONLY)	4
22	601768		TIRE, TOUR MAX, 205 / 50 - 10	1
23	601766		ALLOY WHEEL	1
24	601767		VALVE STEM.....	1
25	605310		ALLOY WHEEL LUG NUT, 1/2" - 20.....	16
26	601353		ALLOY WHEEL CAP	4
27	615617		HUBCAP (GOLD).....	4
28	615618		HUBCAP (SILVER)	4



A Textron Company

E-Z-GO Division of Textron Inc.,
1451 Marvin Griffin Road, Augusta, Georgia 30906 - 3852 USA

TO CONTACT US...

North America:

Technical Assistance & Warranty Phone: 1-800-774-3946, FAX: 1-800-448-8124

Service Parts Phone: 1-888-GET-E-Z-GO (1-888-438-3946), FAX: 1-800-752-6175

International: Phone: 001-706-798-4311, FAX: 001-706-771-4609

Service Parts Manuals, as well as Repair and Service Manuals
are available from a local Distributor, an authorized Branch,
Genuine E-Z-GO Parts & Accessories Department or at www.shopezgo.com.

Copyrighted Material
This manual may not be reproduced in whole or
in part without the express permission of
E-Z-GO Division of Textron Inc.
Technical Communications Department